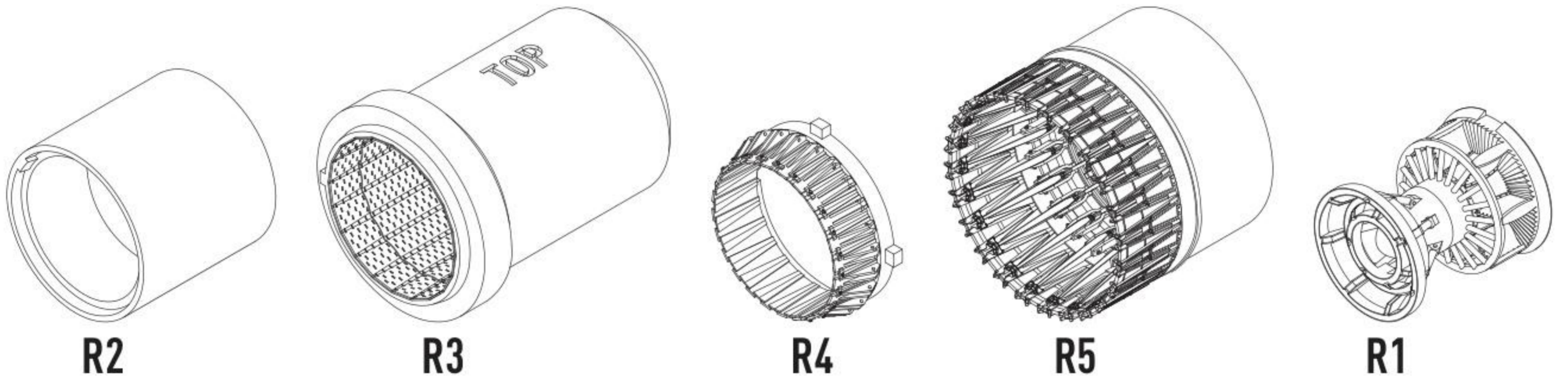
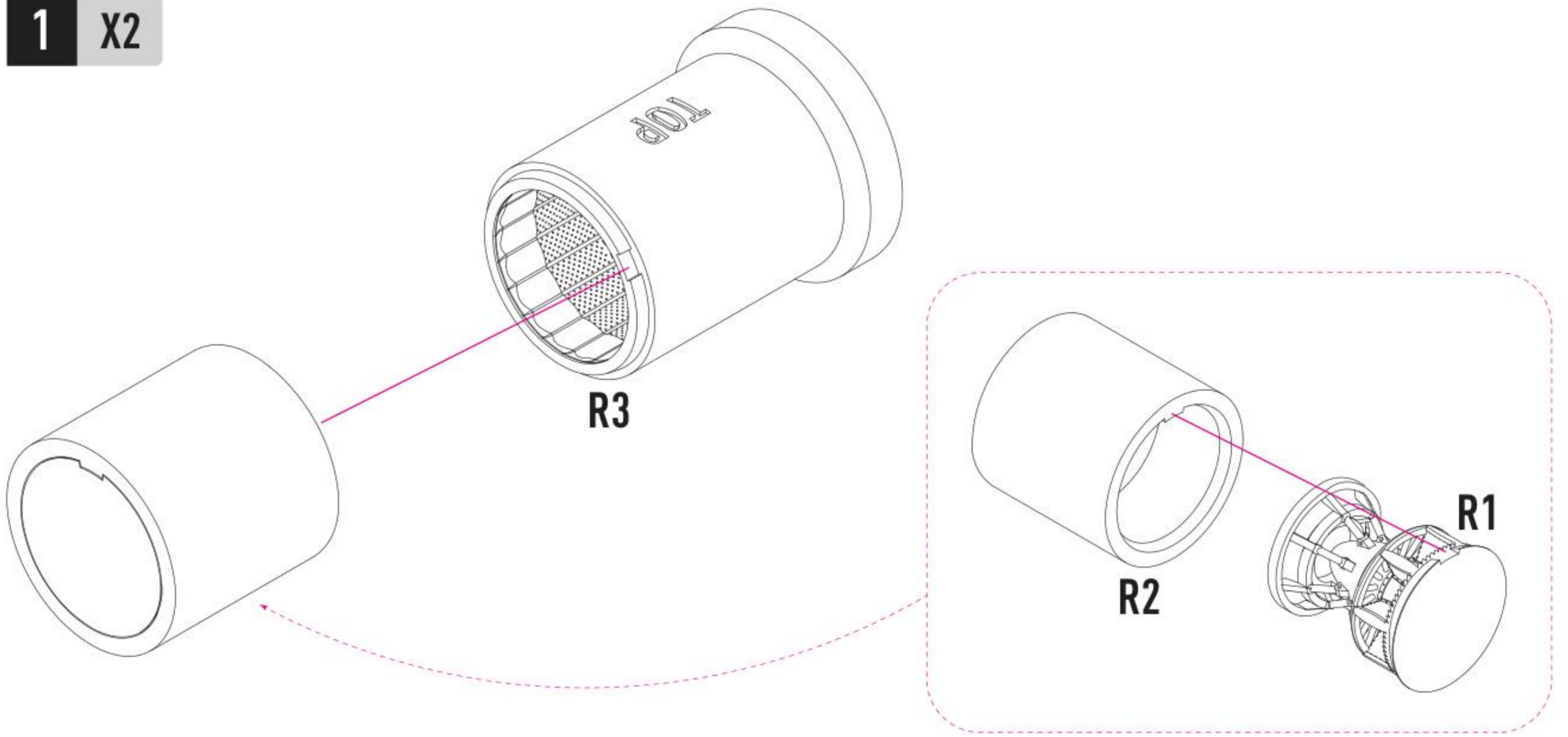


 USE A SAW TO REMOVE SUPPORTS  
FROM 3D PRINTED PARTS

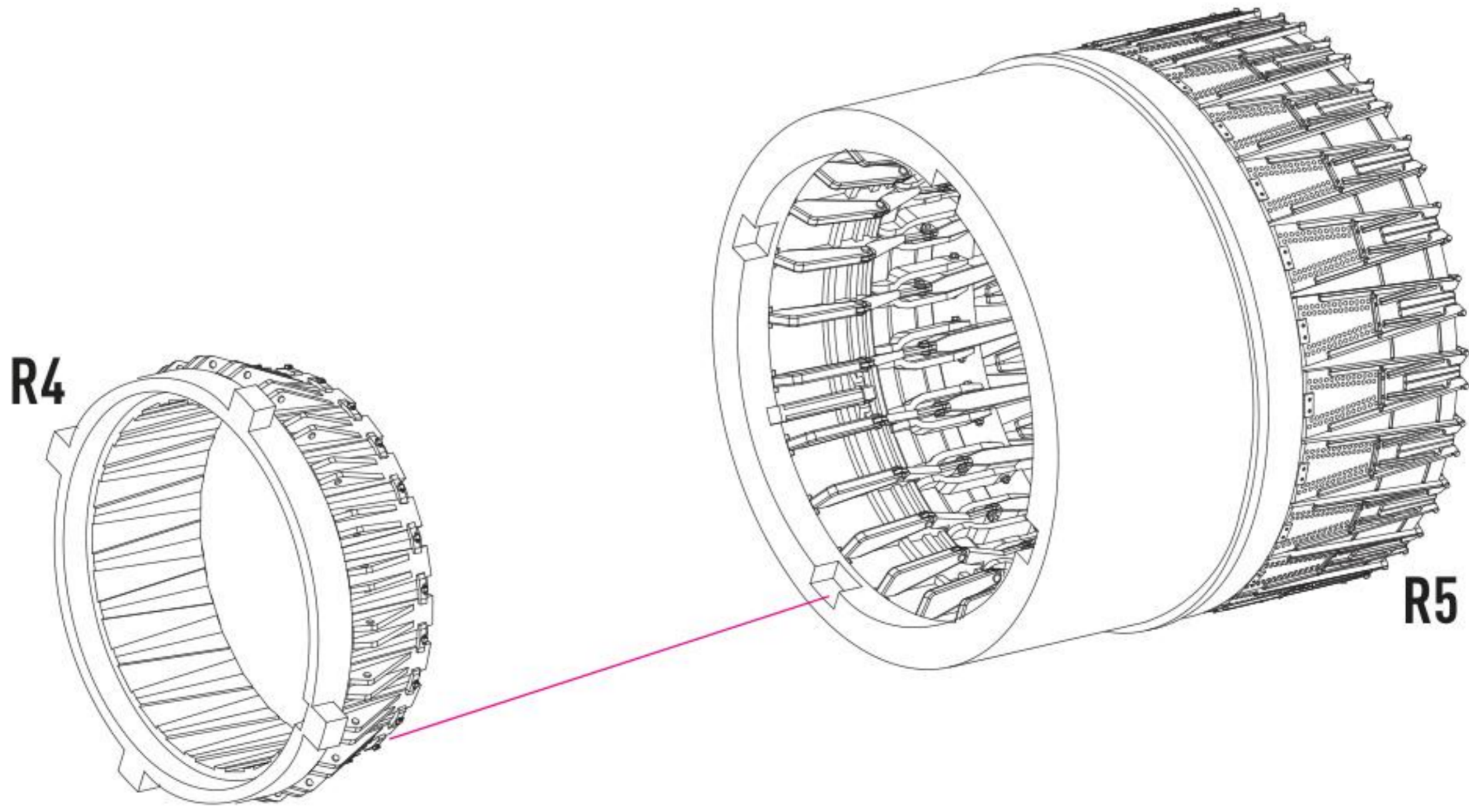
**DETAILS AFTER REMOVAL  
FROM SUPPORTS**

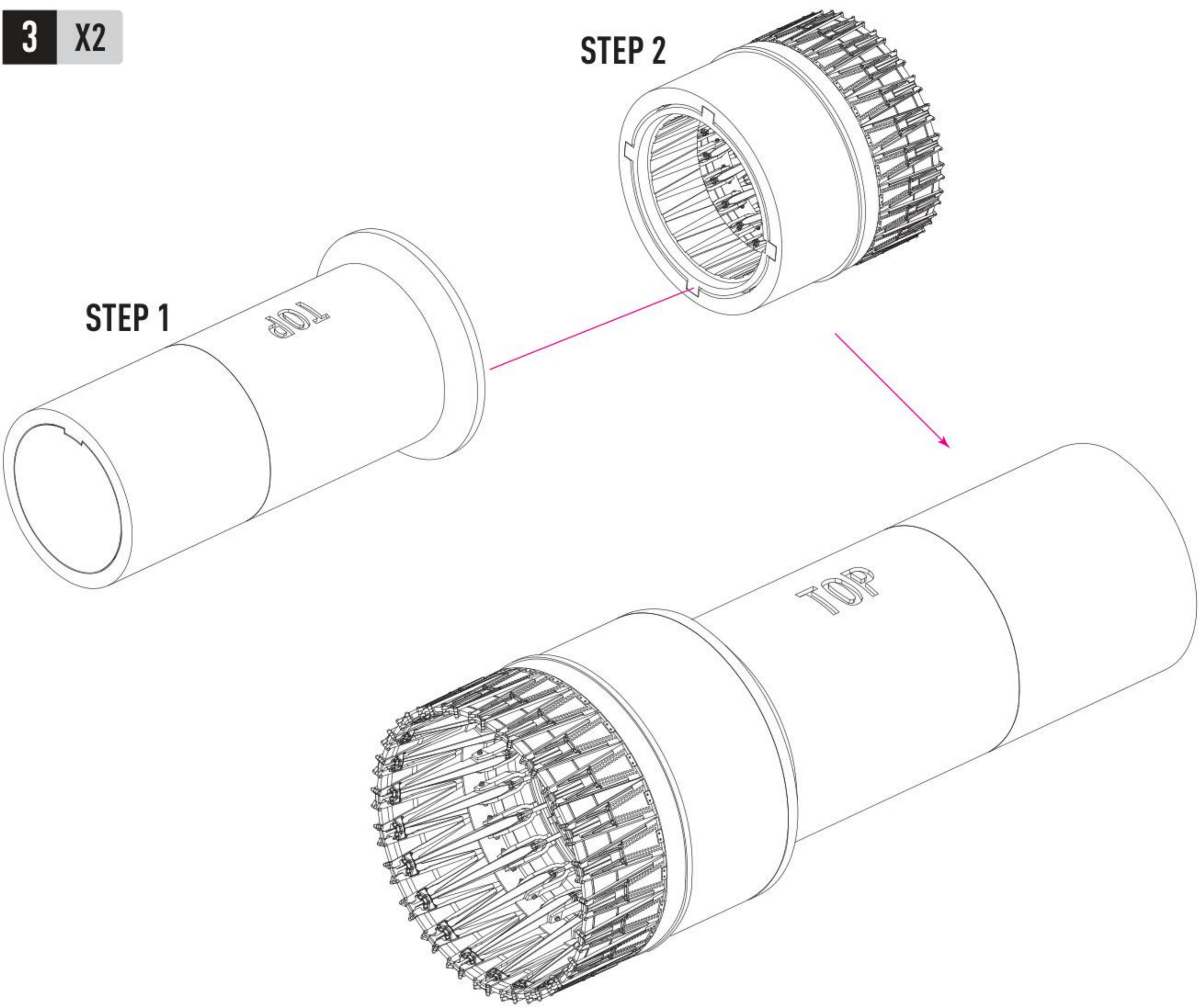


**1** X2

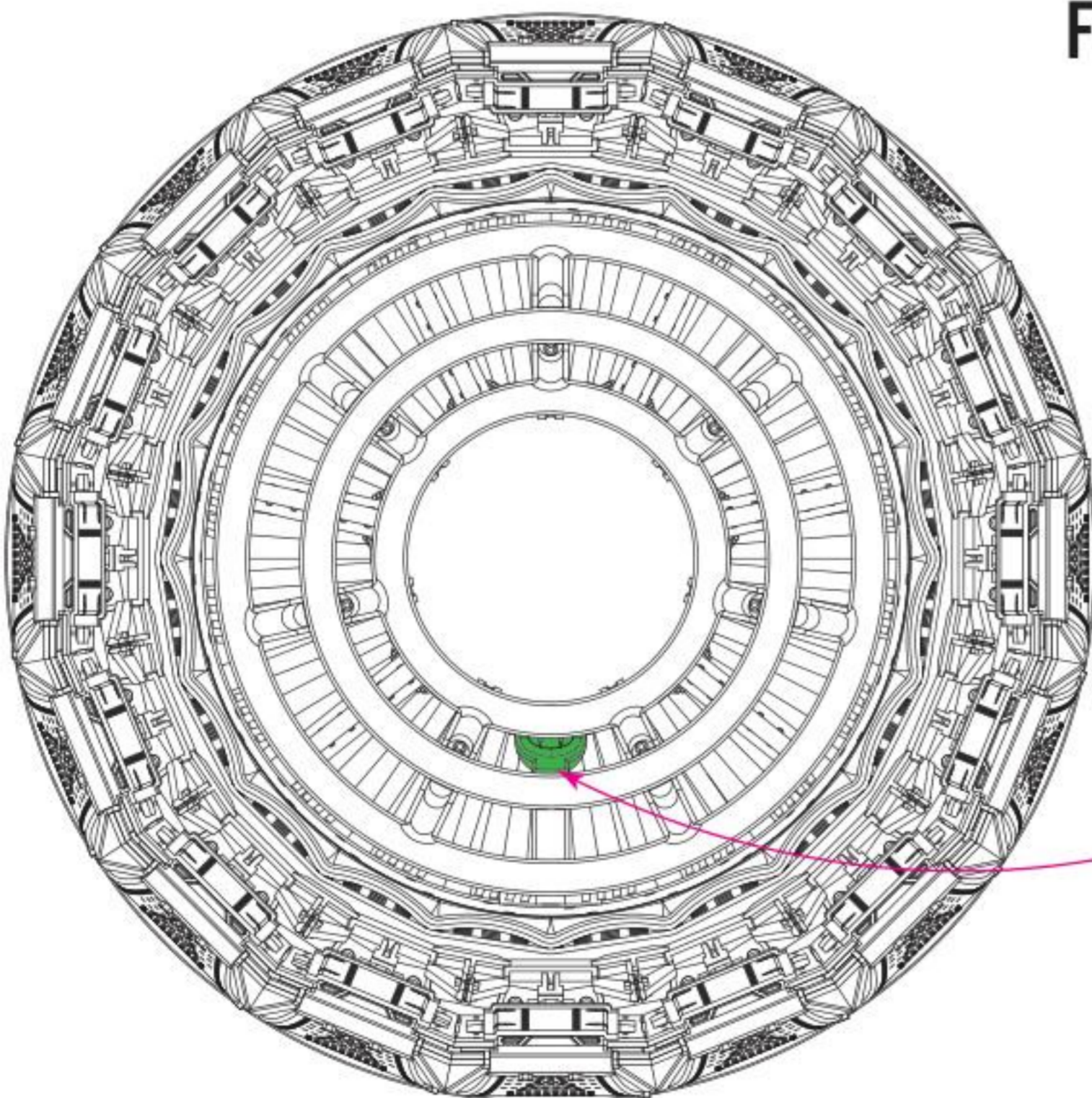


**2** X2





FOR PROPER NOZZLE ORIENTATION USE THIS ELEMENT  
IT HAS TO BE POSITIONED VERTICALLY DOWN



**LOCKHEED F-104 STARFIGHTER BOOK**

[DUKEHAWKINS.COM](http://DUKEHAWKINS.COM)

This iconic fighter jet needed some 180 pages to be shown in every detail. Designed by the aviation legend Kelly Johnson, the Starfighter was one of the first mass production jets capable of operating at speeds of up to Mach 2.

MORE DETAILED PHOTOS FOR BUILDING THE MODEL CAN BE FOUND IN THE BOOK DUKE HAWKINS