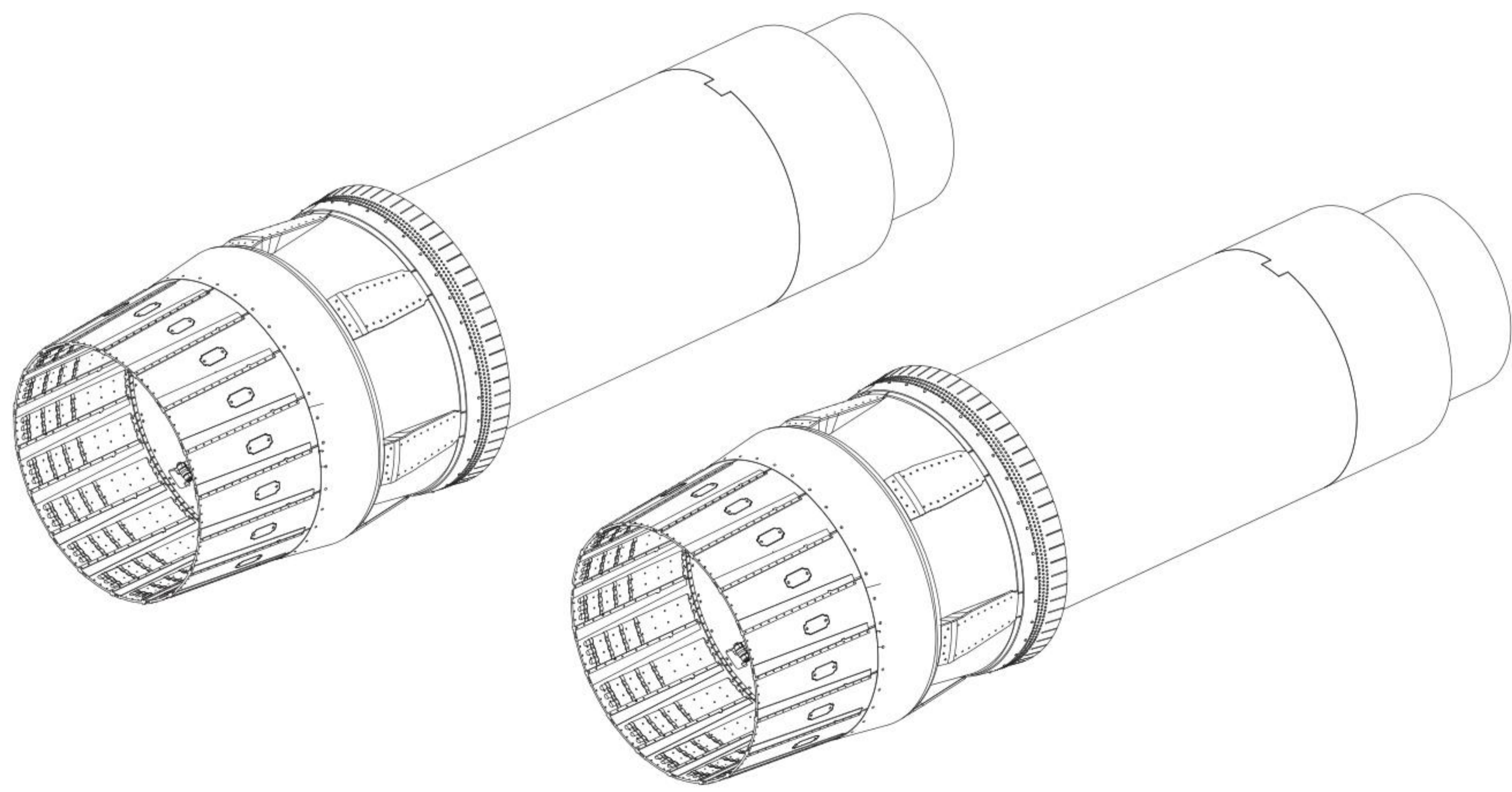
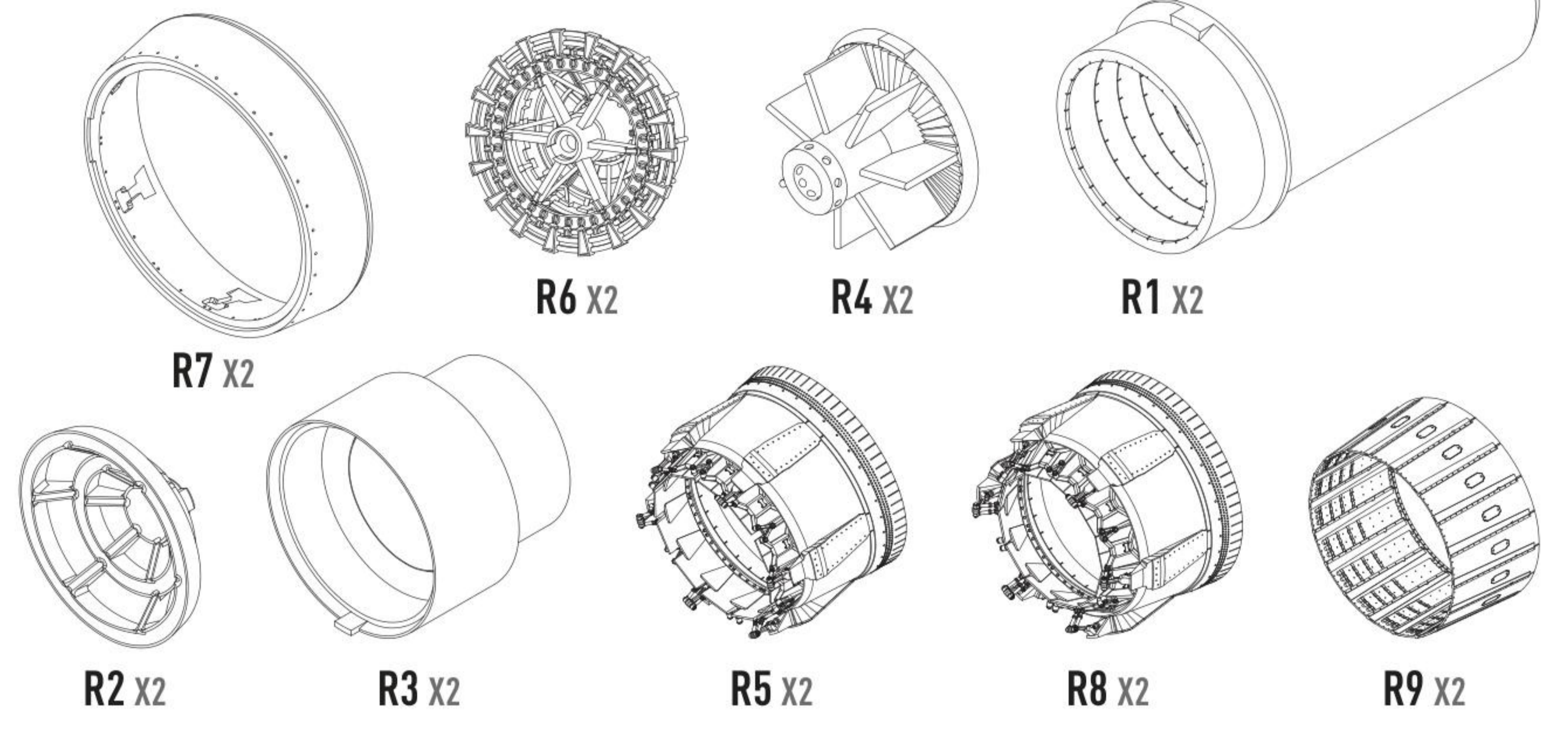


STEP 7

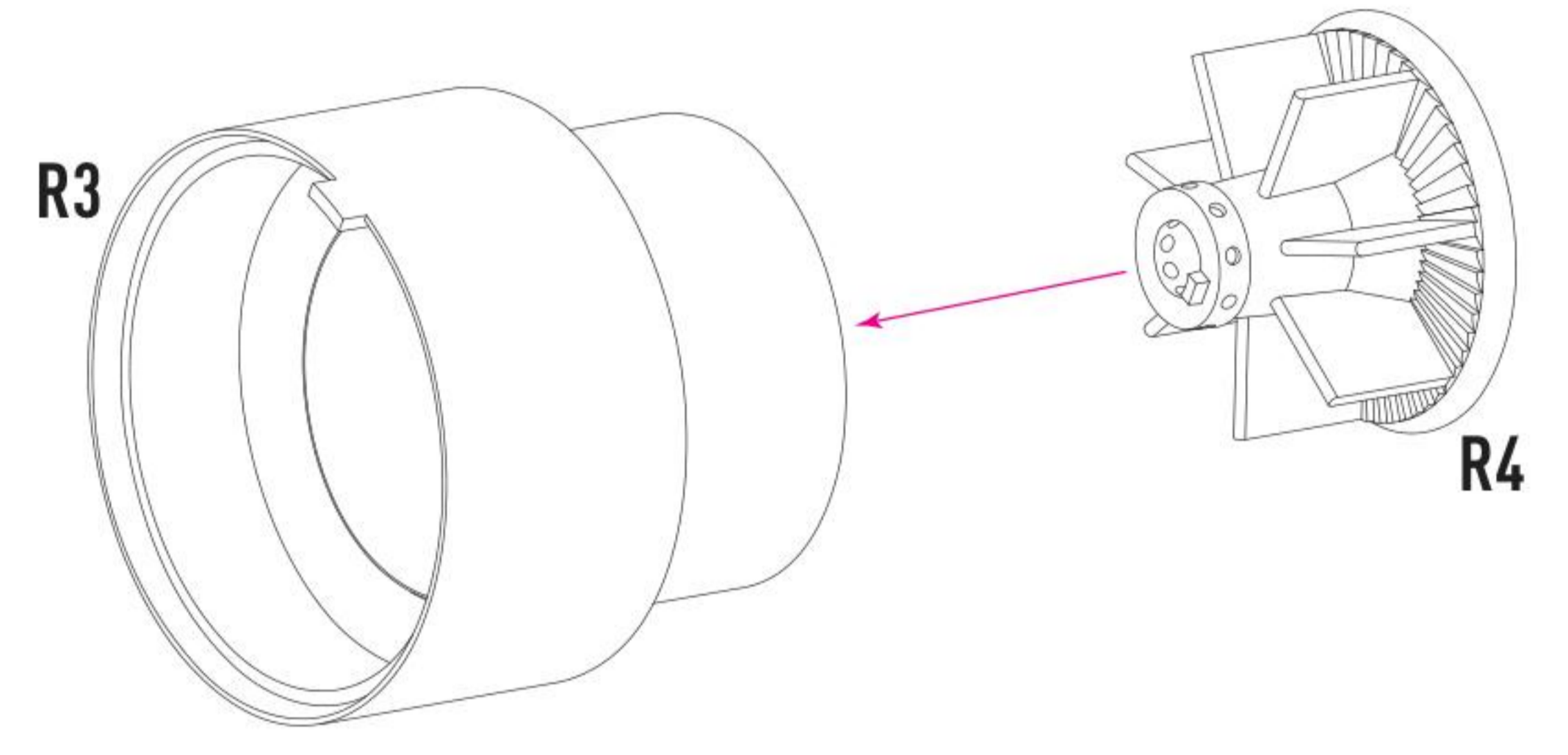


USE A SAW TO REMOVE SUPPORTS FROM 3D PRINTED PARTS

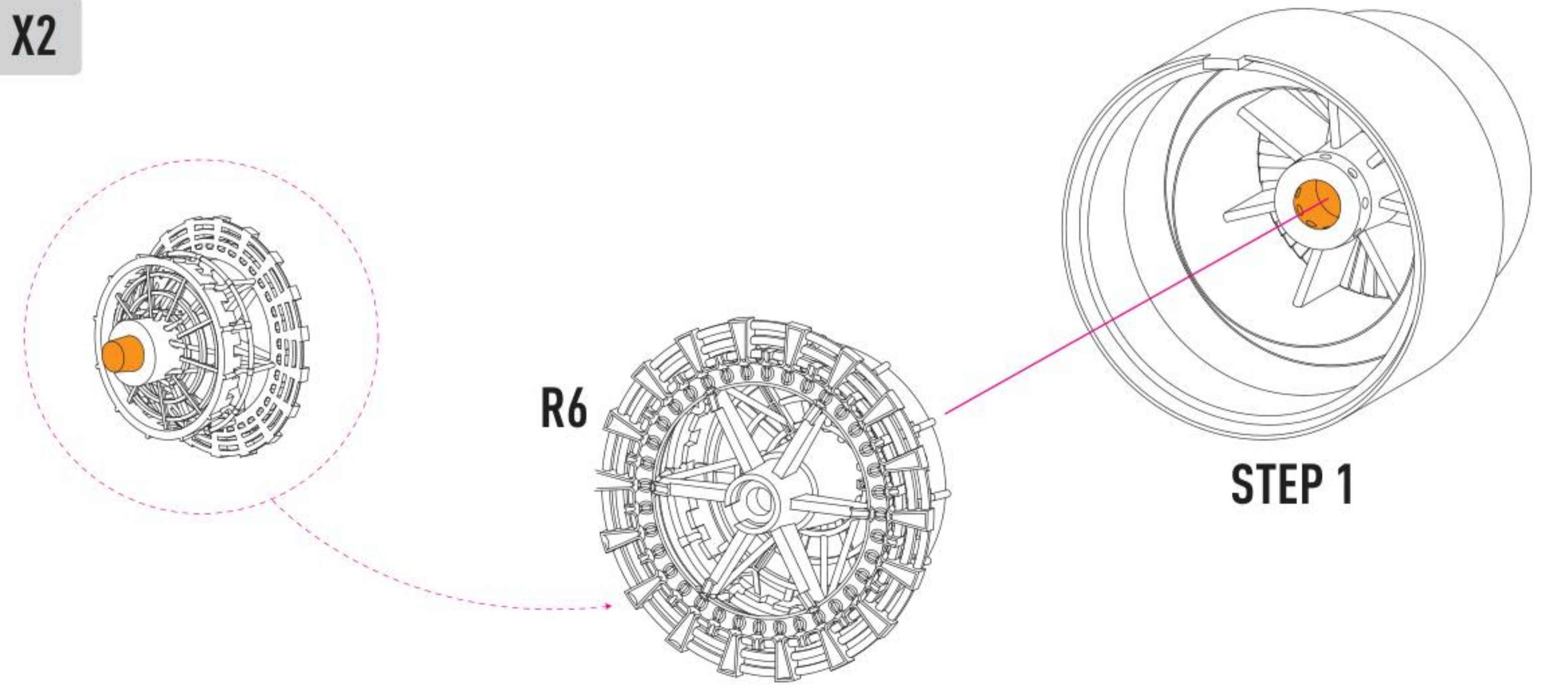
**DETAILS AFTER REMOVAL FROM SUPPORTS**



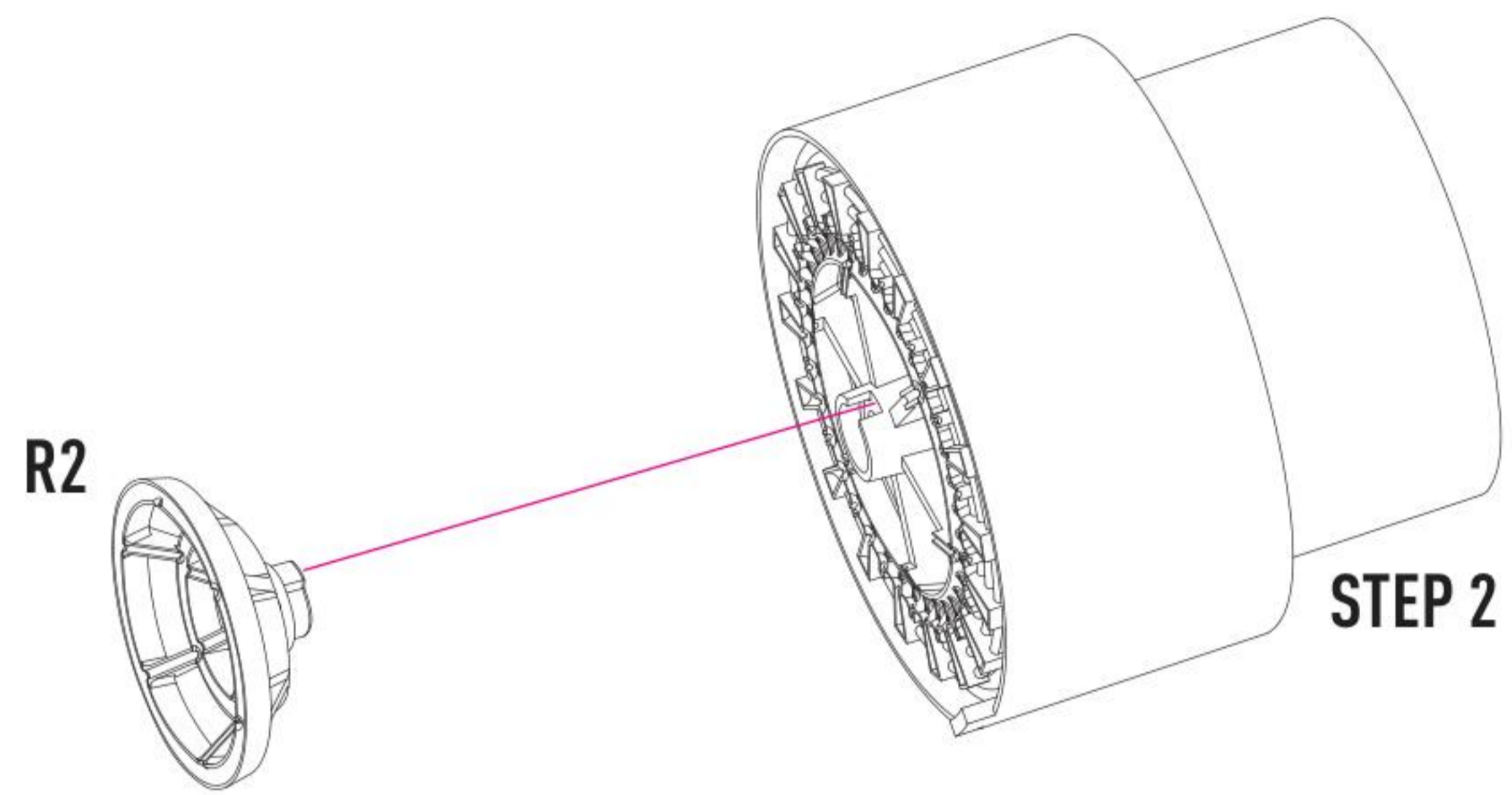
**1** X2



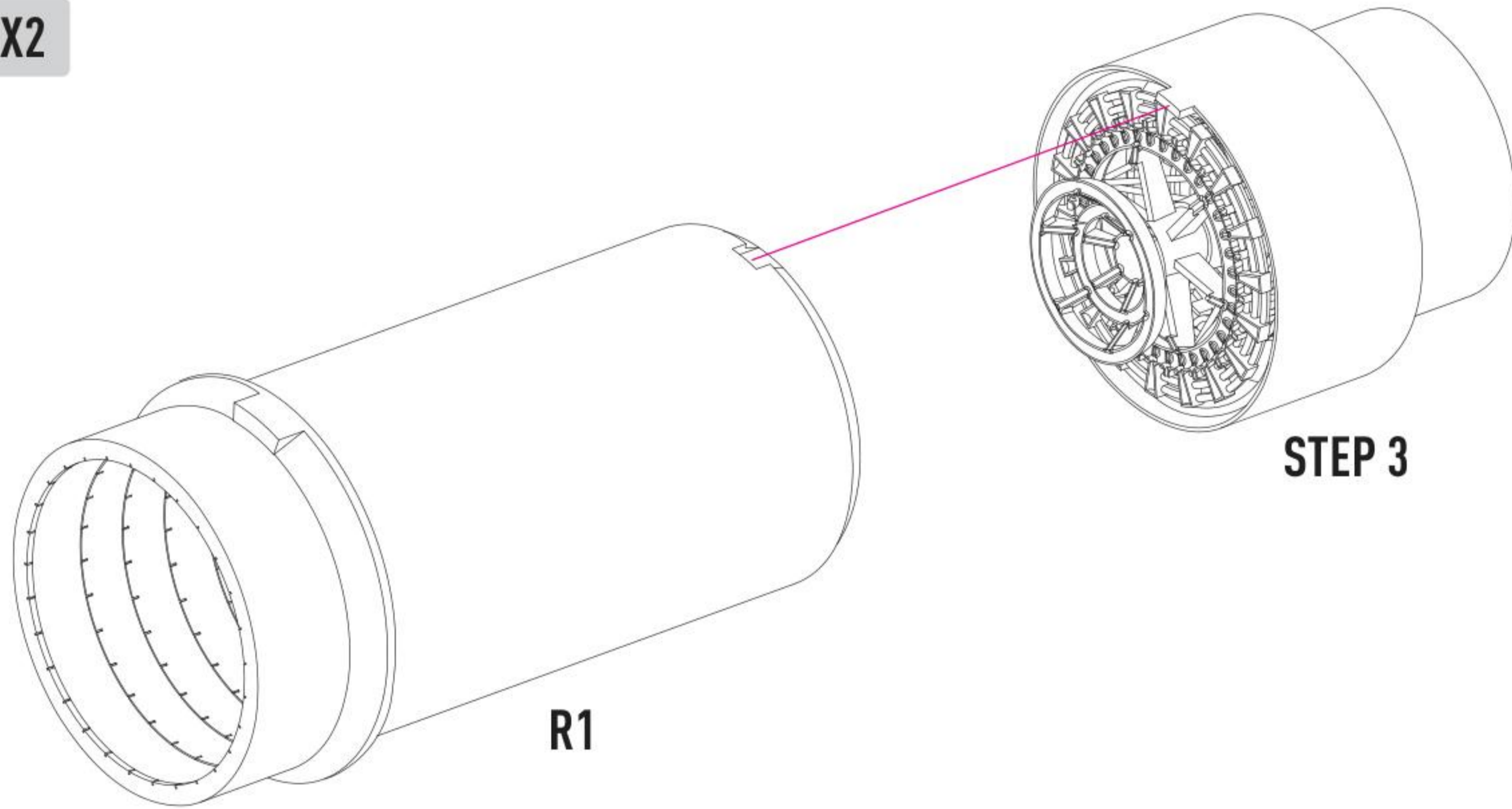
**2** X2



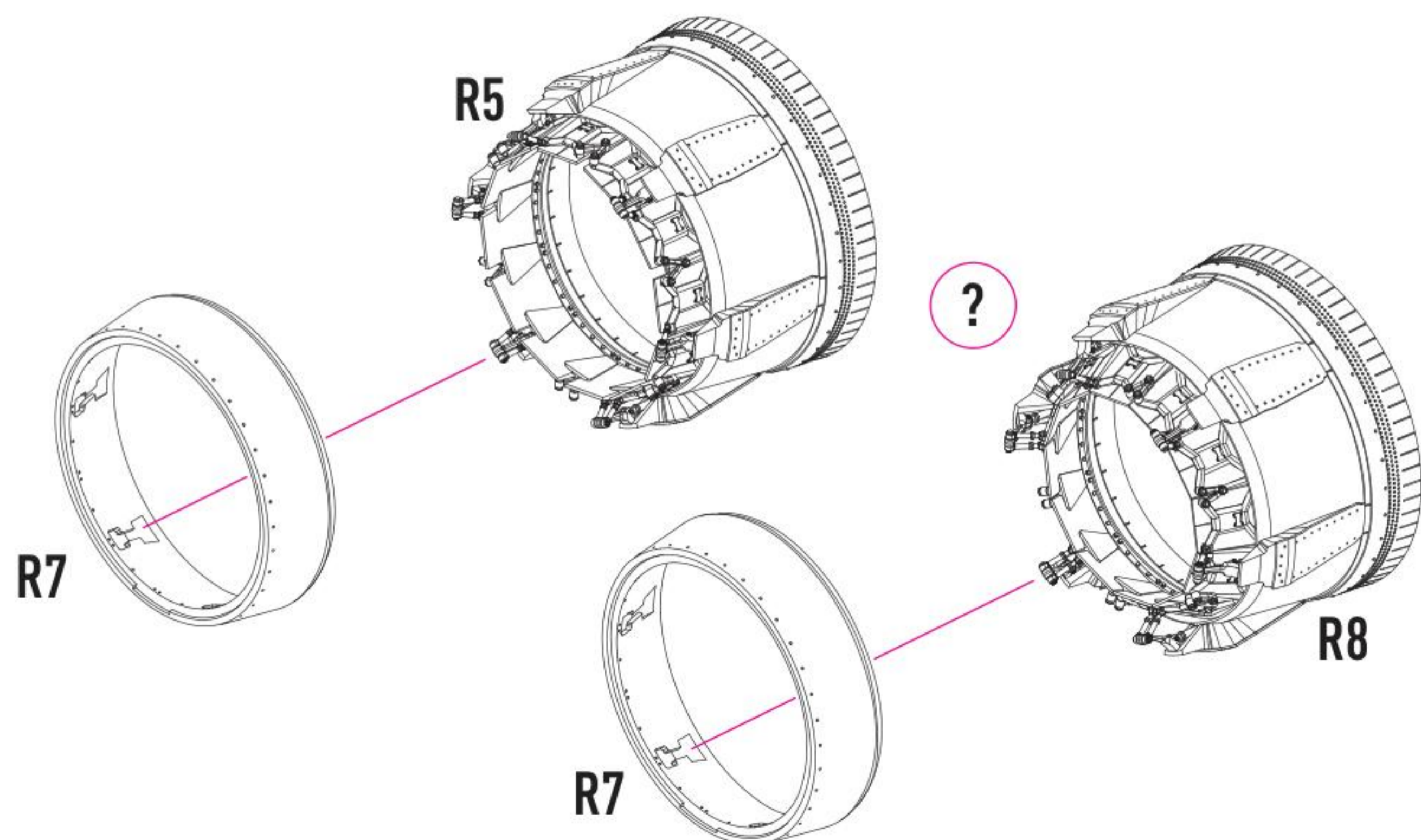
**3** X2



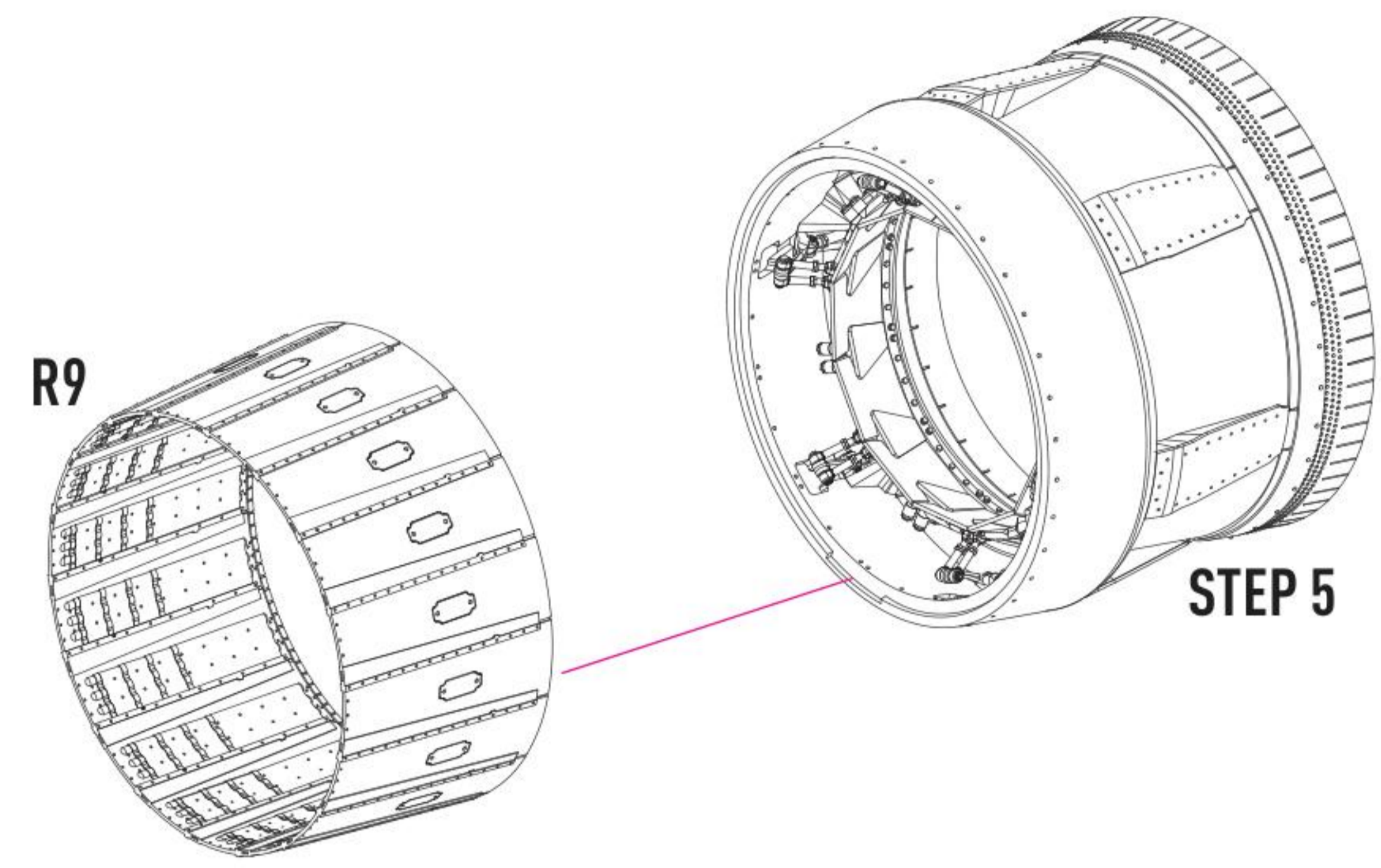
**4** X2



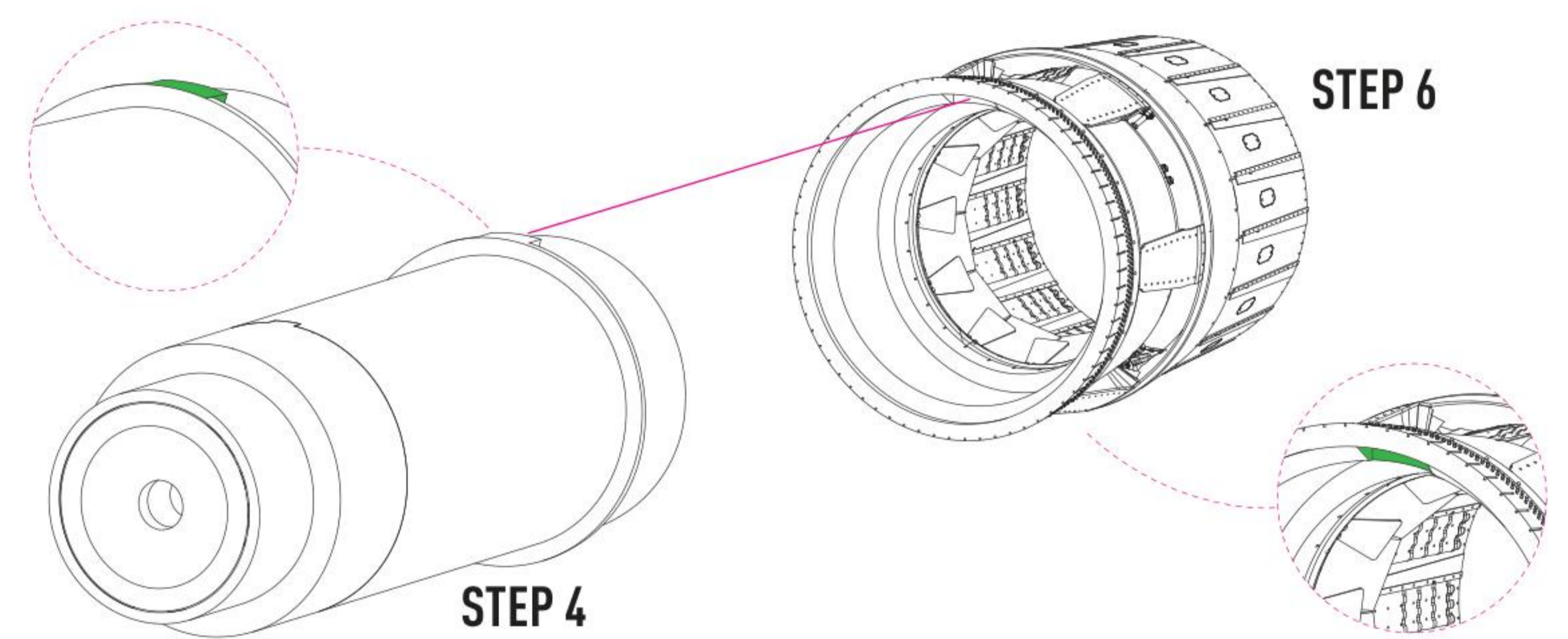
**5** X2



**6** X2



**7** X2



**8**

