

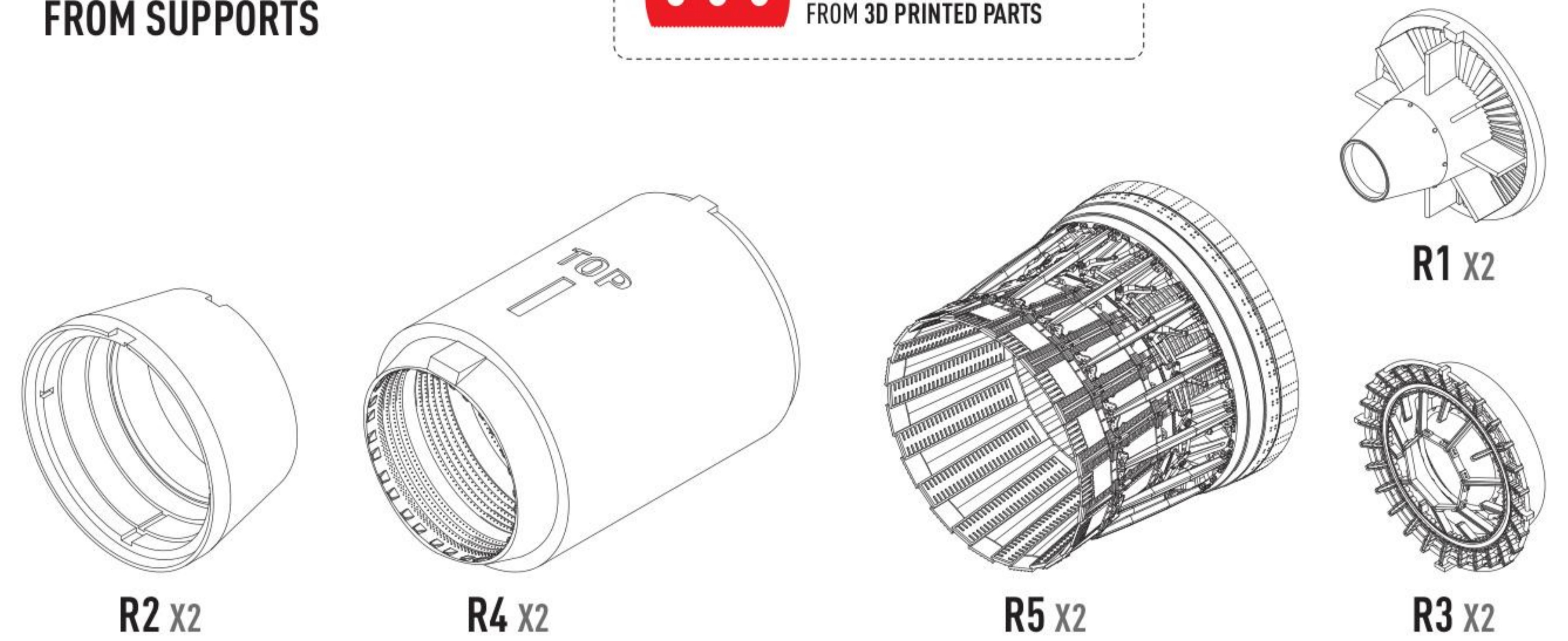
YOU CAN FIND INSTRUCTIONS
IN PDF FORMAT ON THE WEBSITE

RESKIT-MODELS.COM

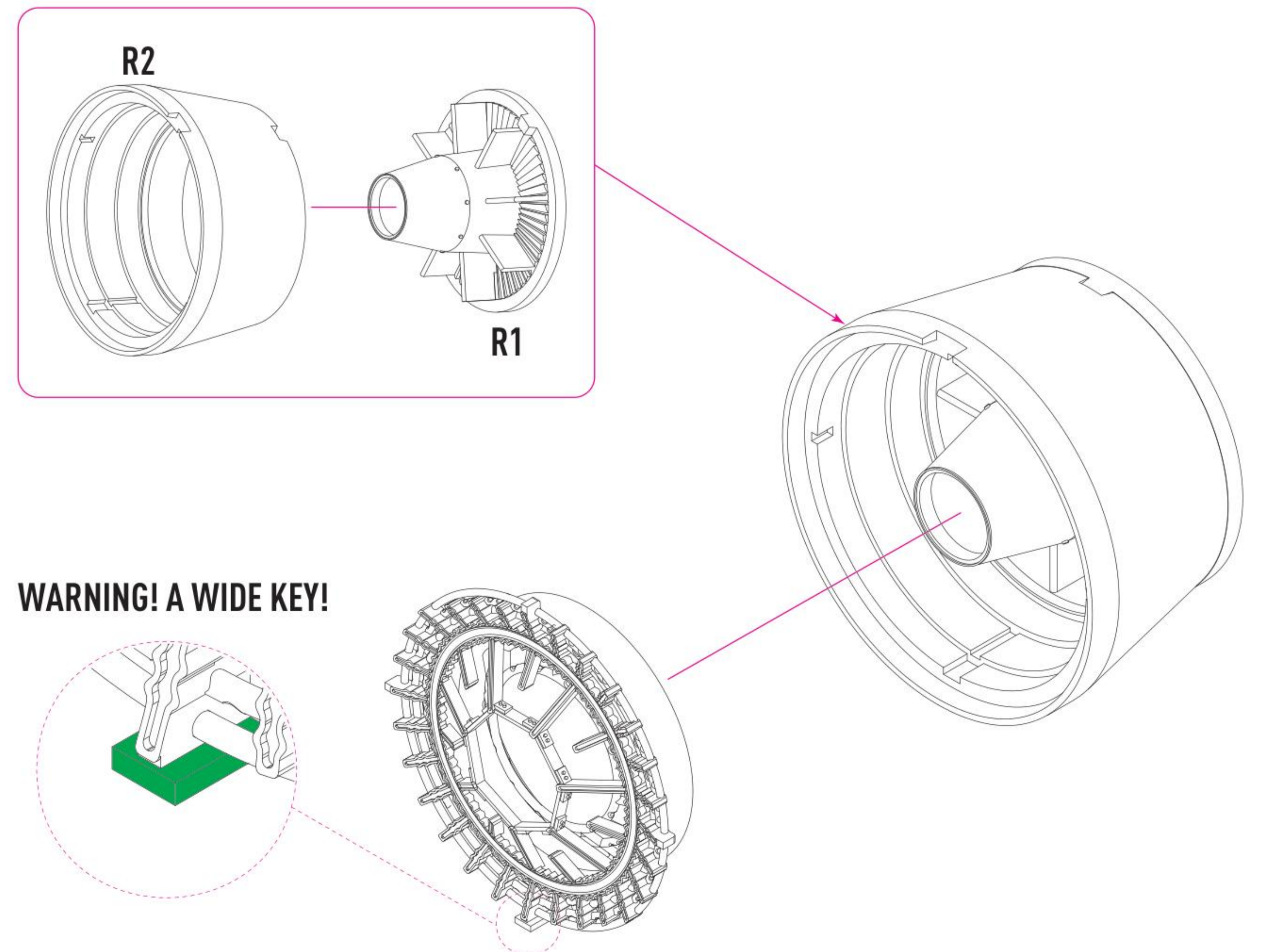
General Issues: info@reskit.com.ua
Wholesales: sales@reskit.com.ua
Claim Resolution: claims@reskit.com.ua

**DETAILS AFTER REMOVAL
FROM SUPPORTS**

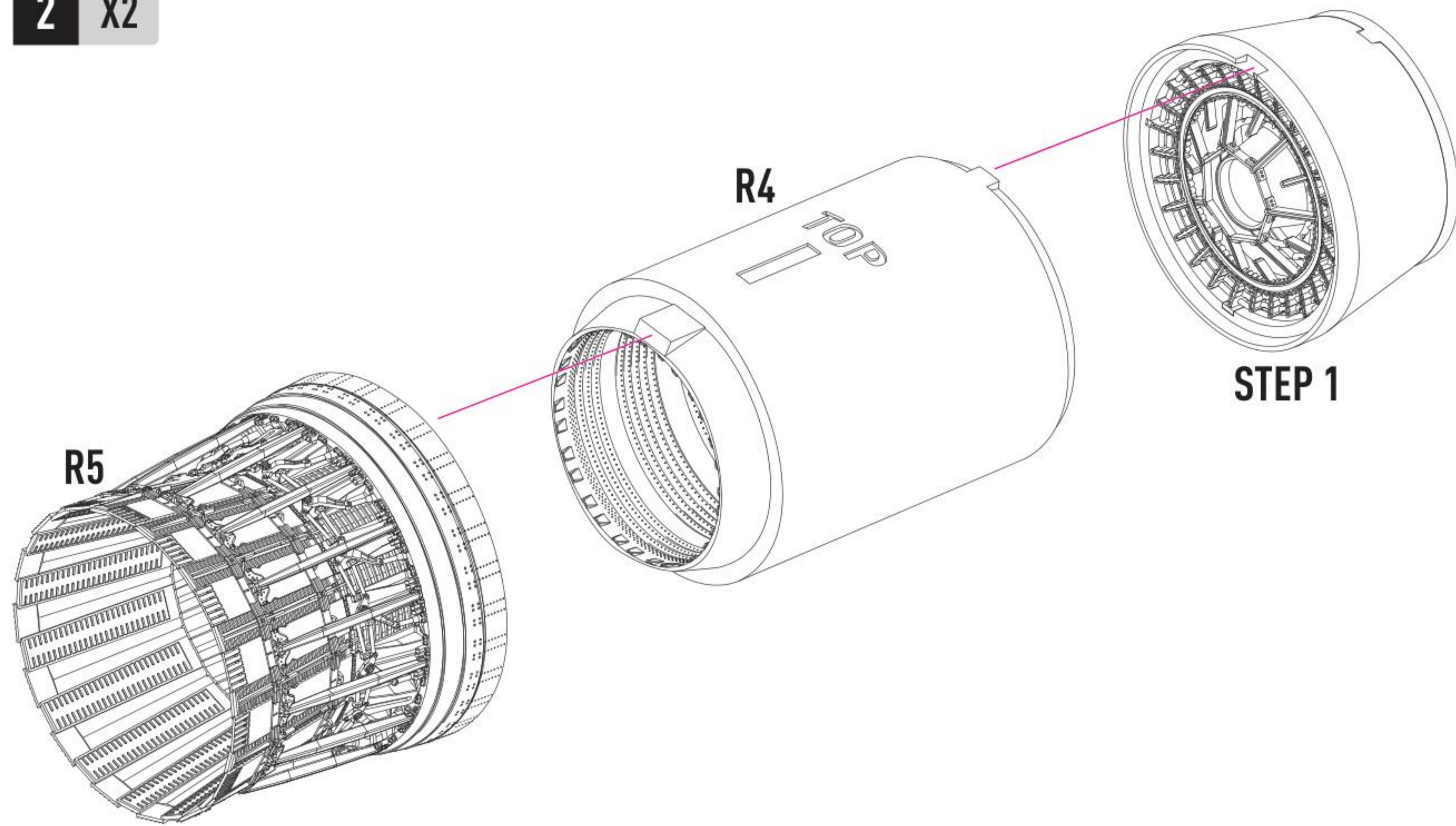
USE A SAW TO REMOVE SUPPORTS
FROM 3D PRINTED PARTS



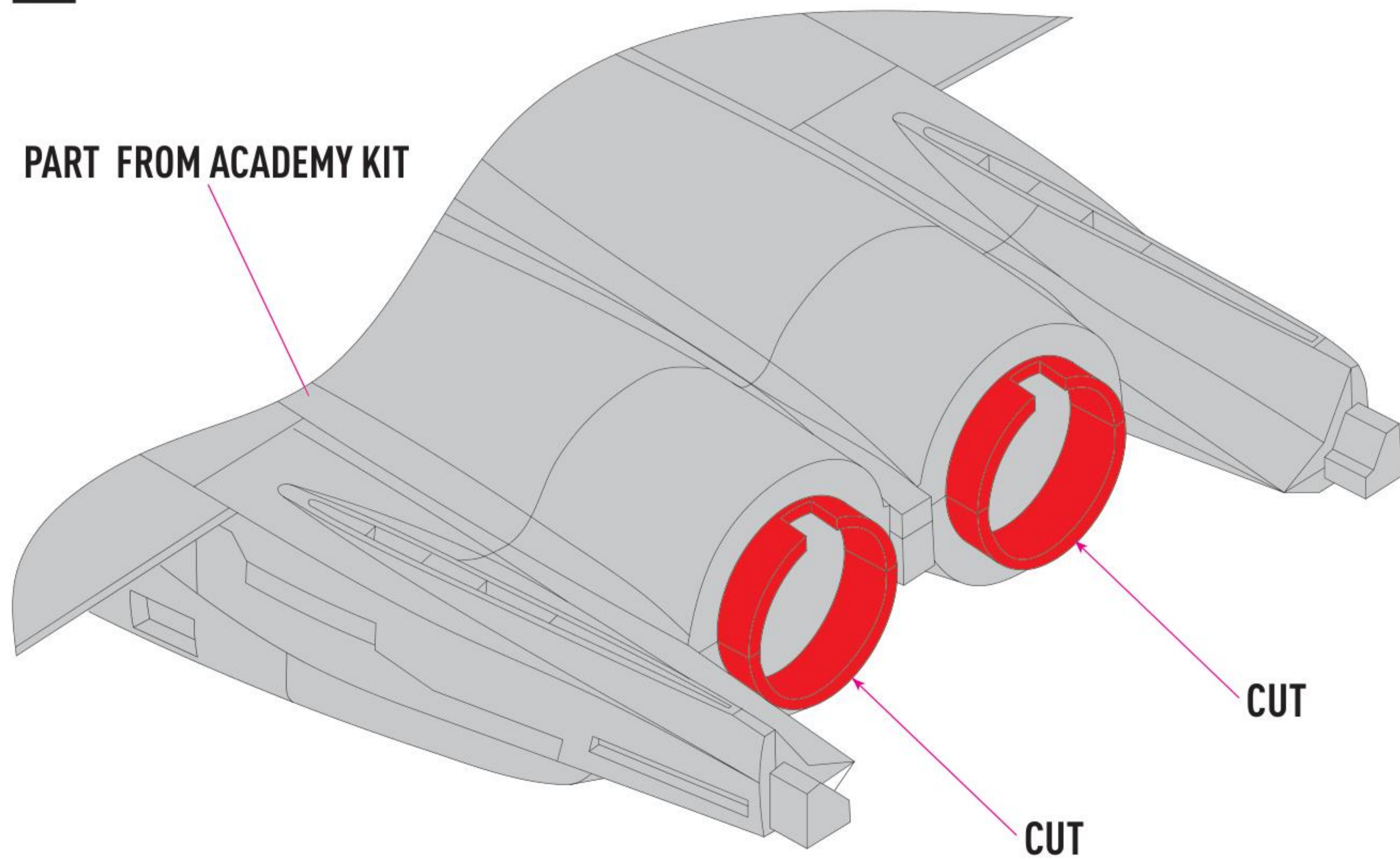
1 X2



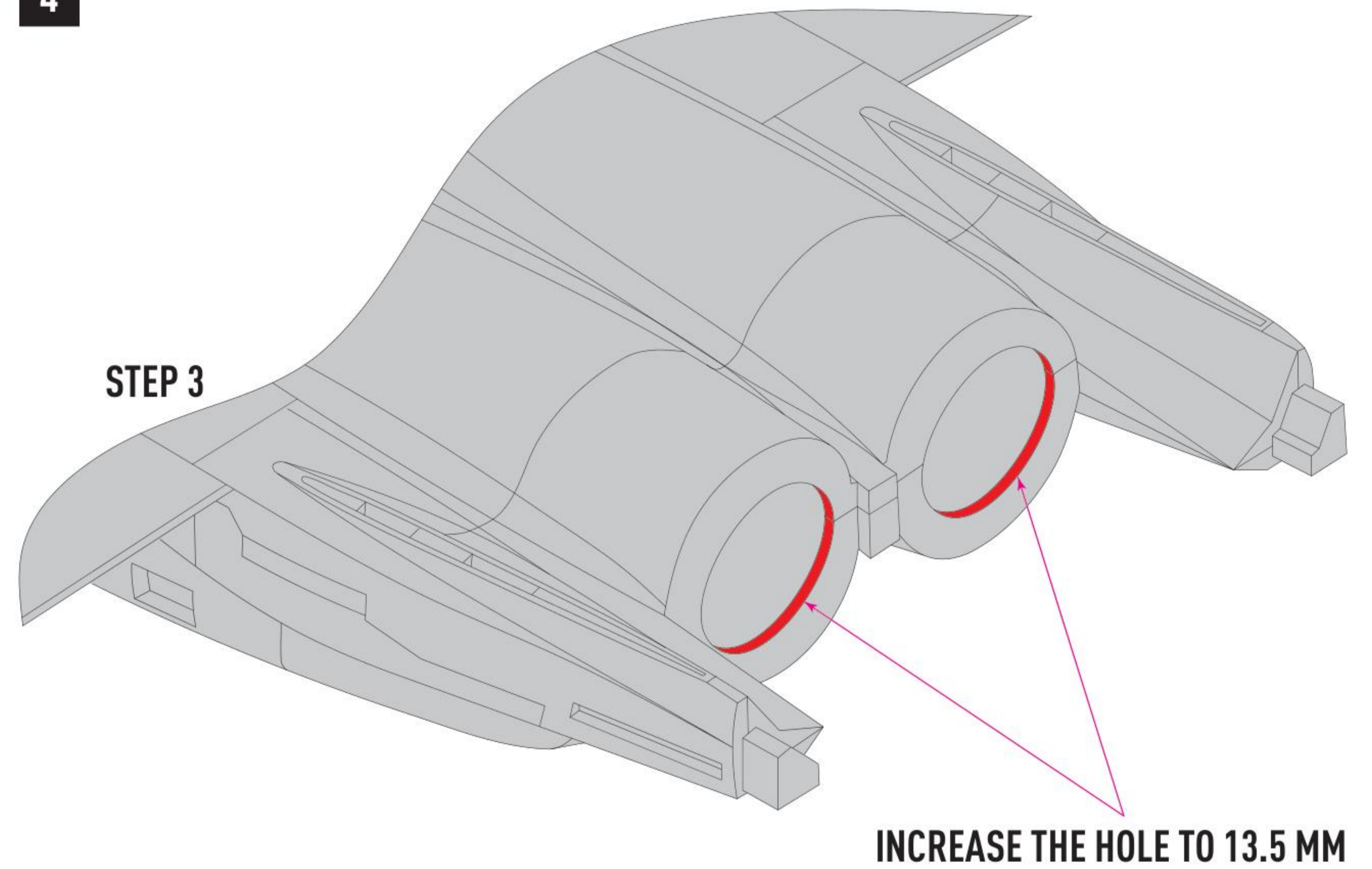
2 X2



3



4



5

