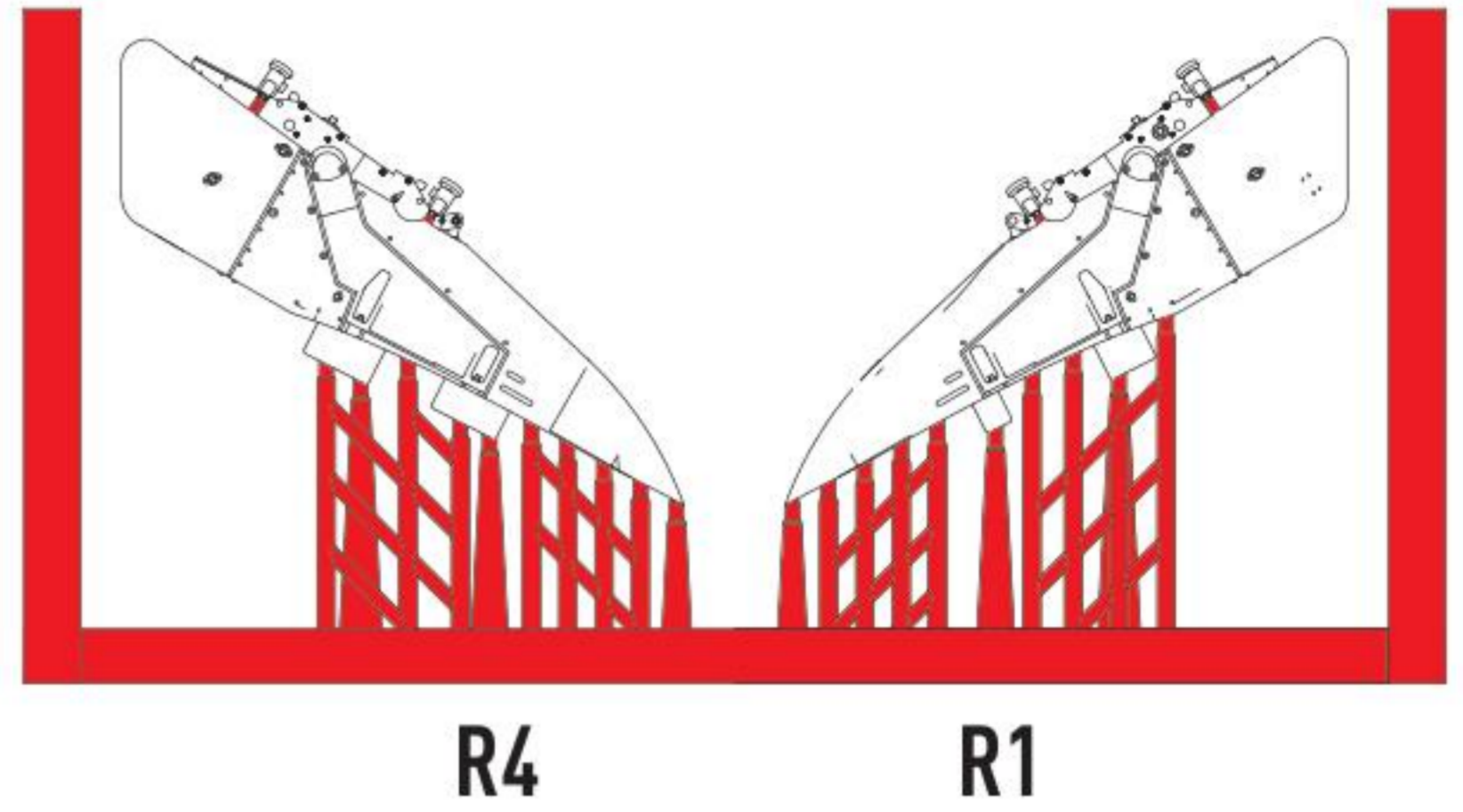
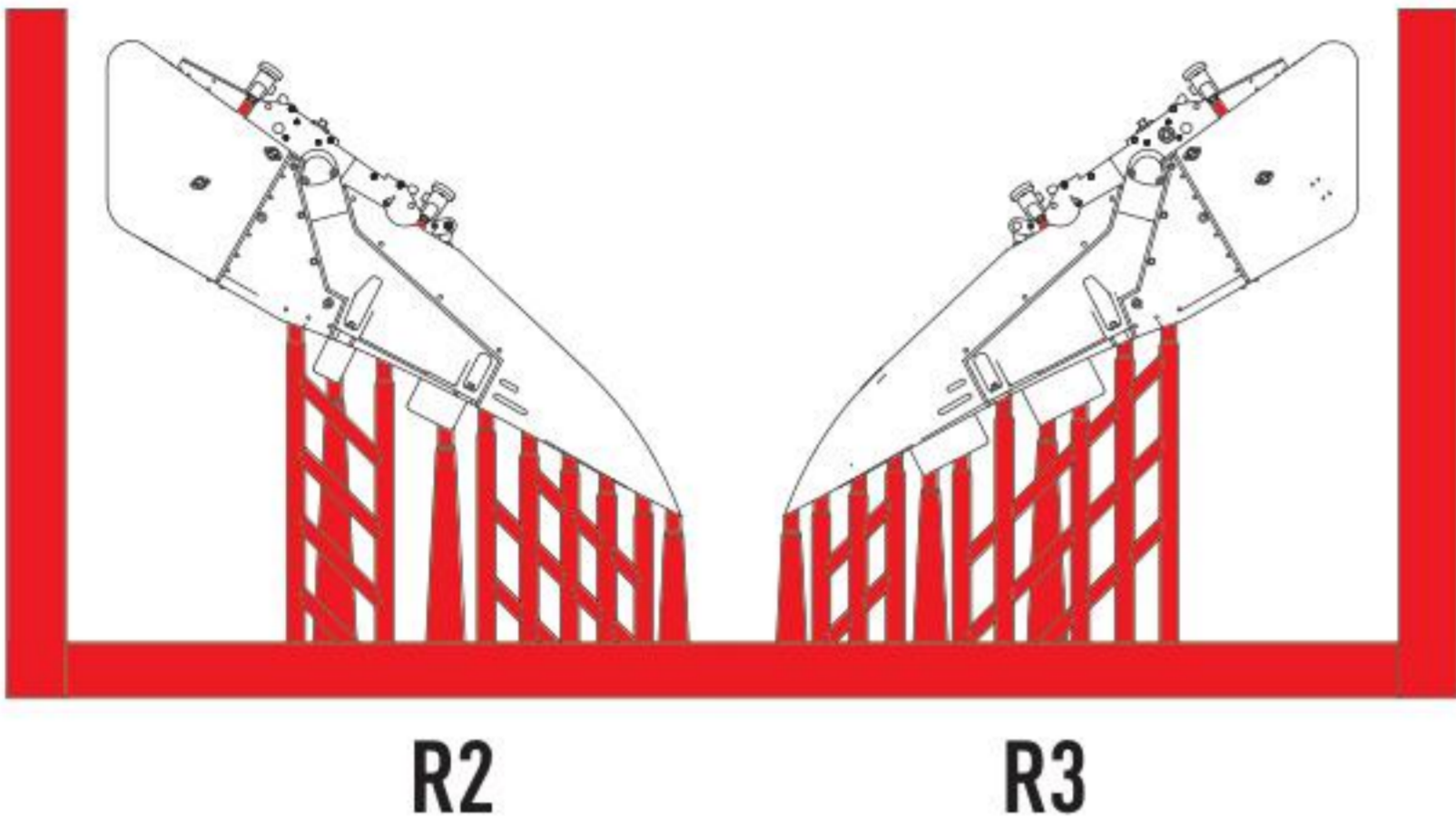
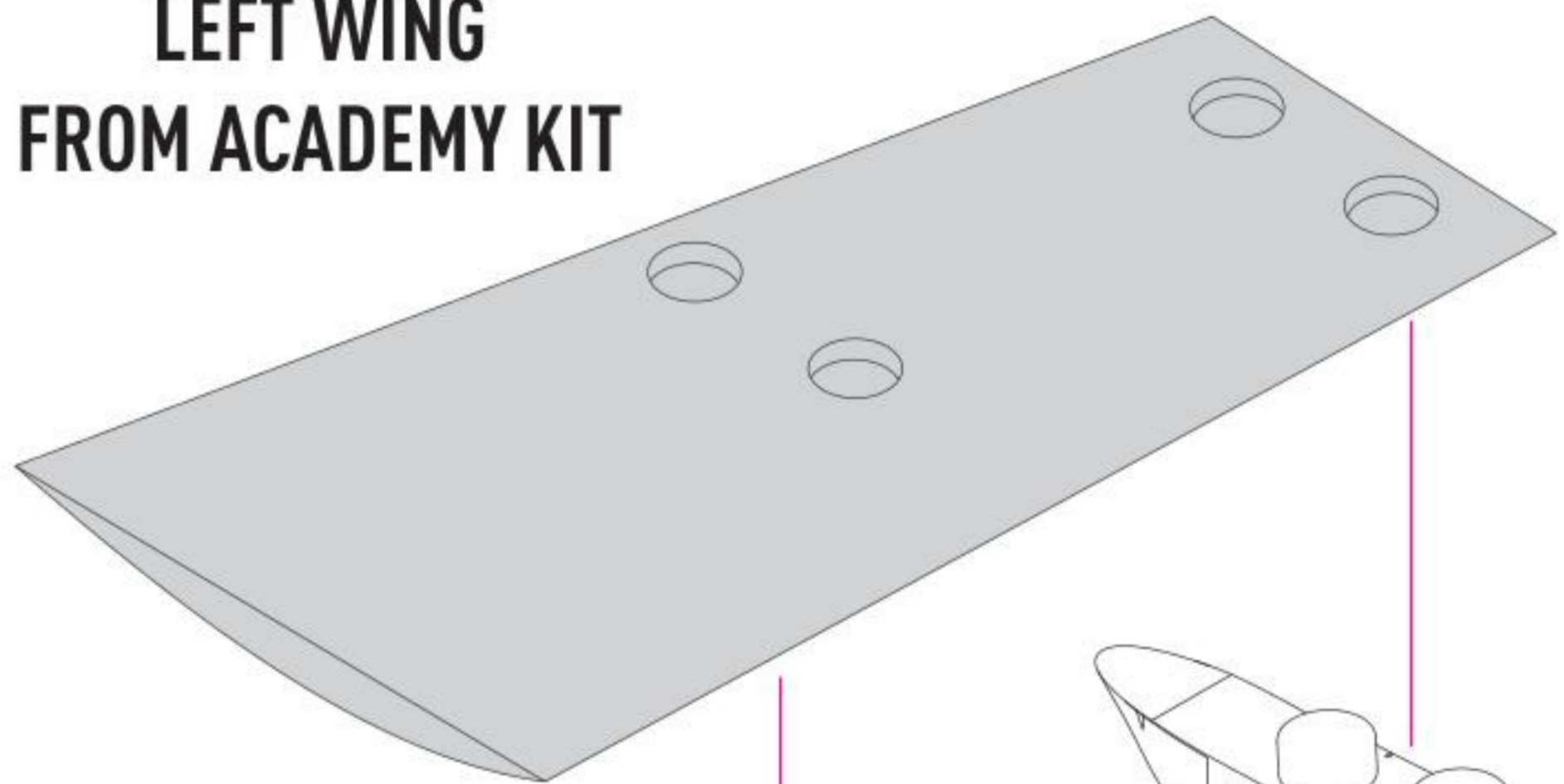


CUT

 USE A SAW TO REMOVE SUPPORTS FROM 3D PRINTED PARTS



**LEFT WING
 FROM ACADEMY KIT**



**RIGHT WING
 FROM ACADEMY KIT**

