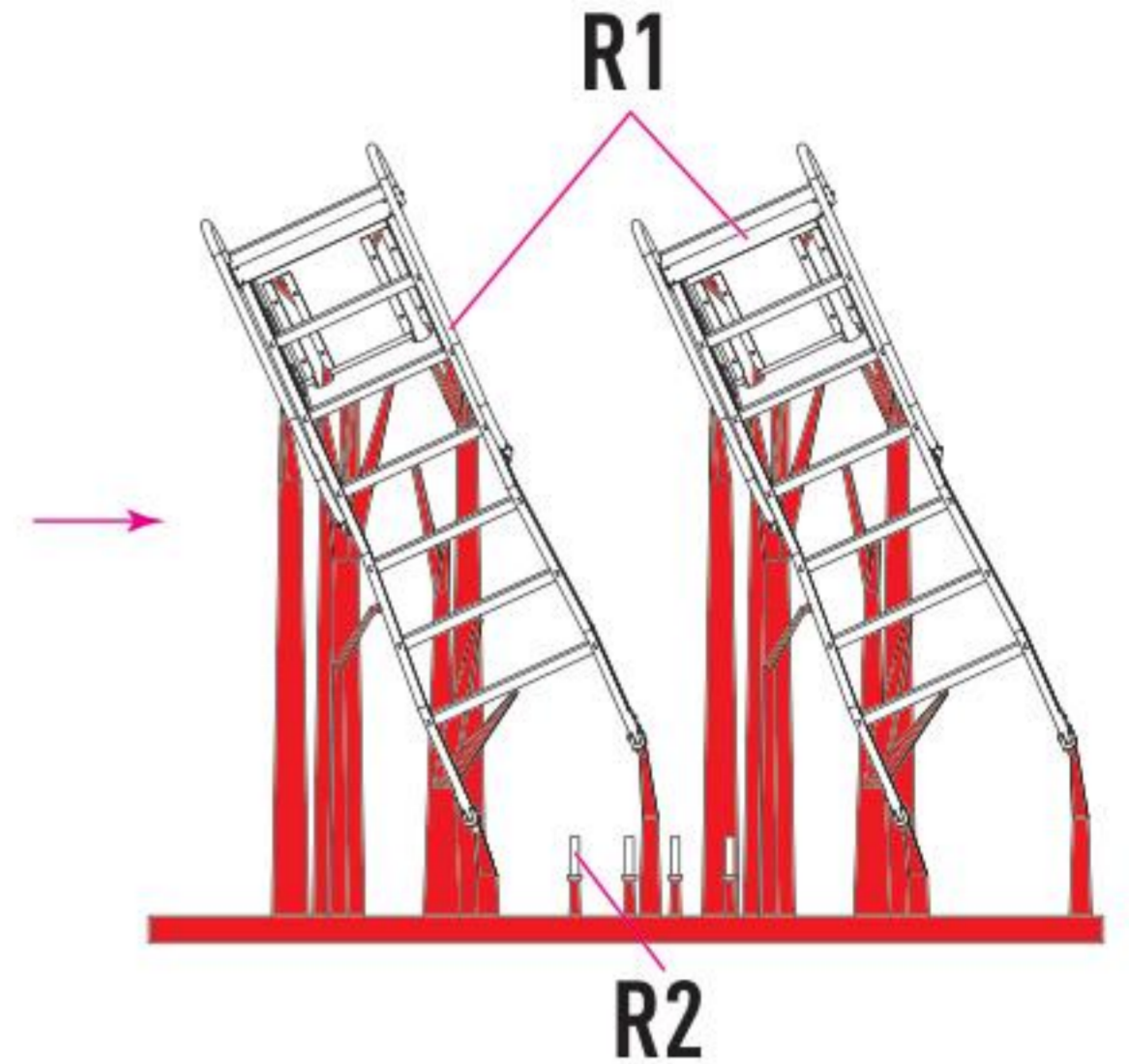
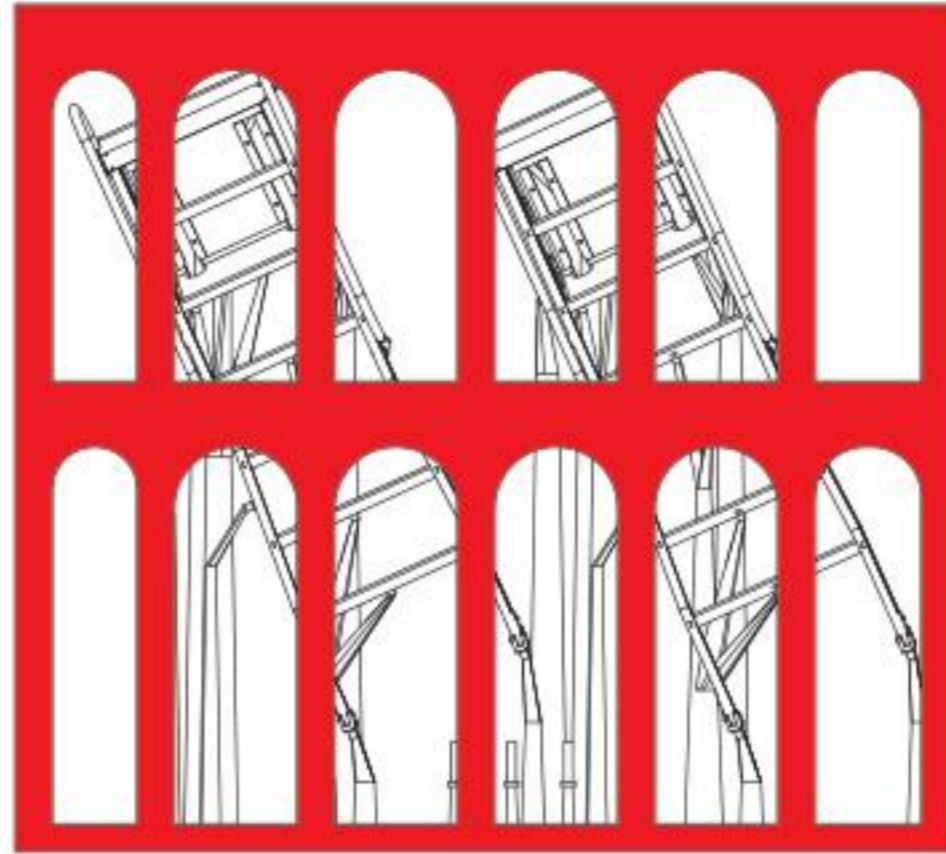


## CUT

REMOVE  
PROTECTIVE COVER

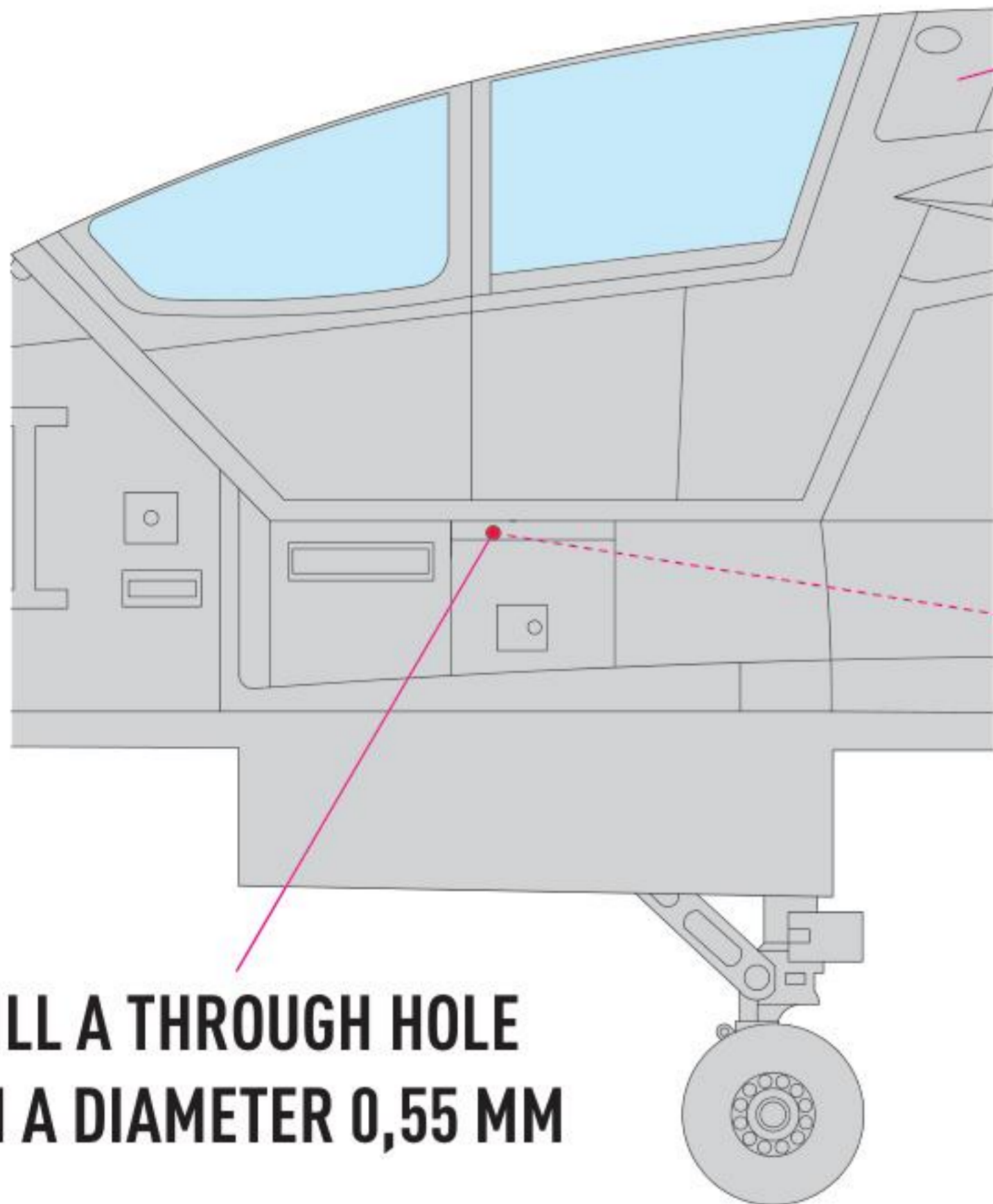


USE A SAW TO REMOVE SUPPORTS  
FROM 3D PRINTED PARTS

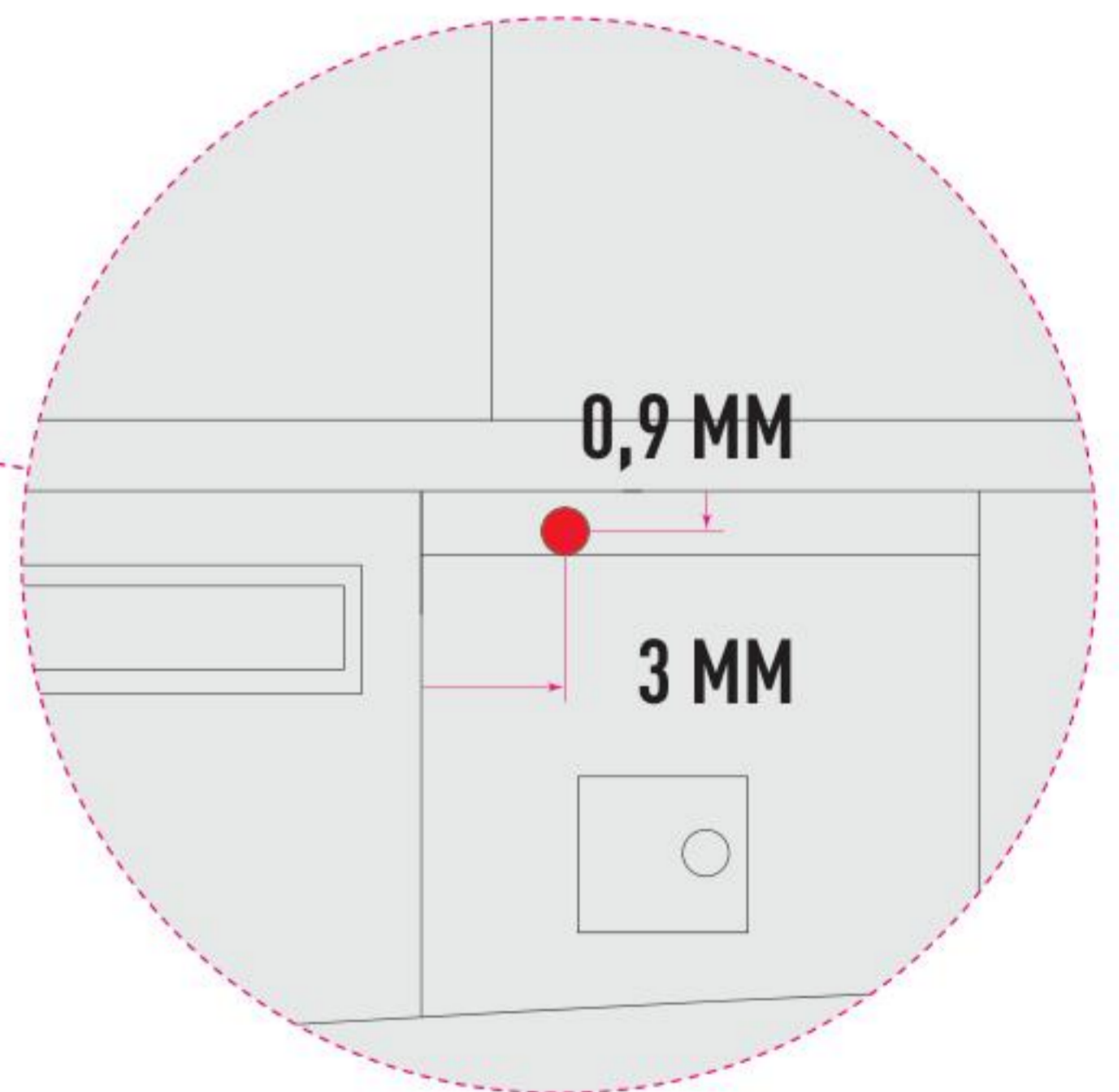


1

SIDE OF THE AIRCRAFT (LEFT)  
REPEAT FOR RIGHT



DRILL A THROUGH HOLE  
WITH A DIAMETER 0,55 MM

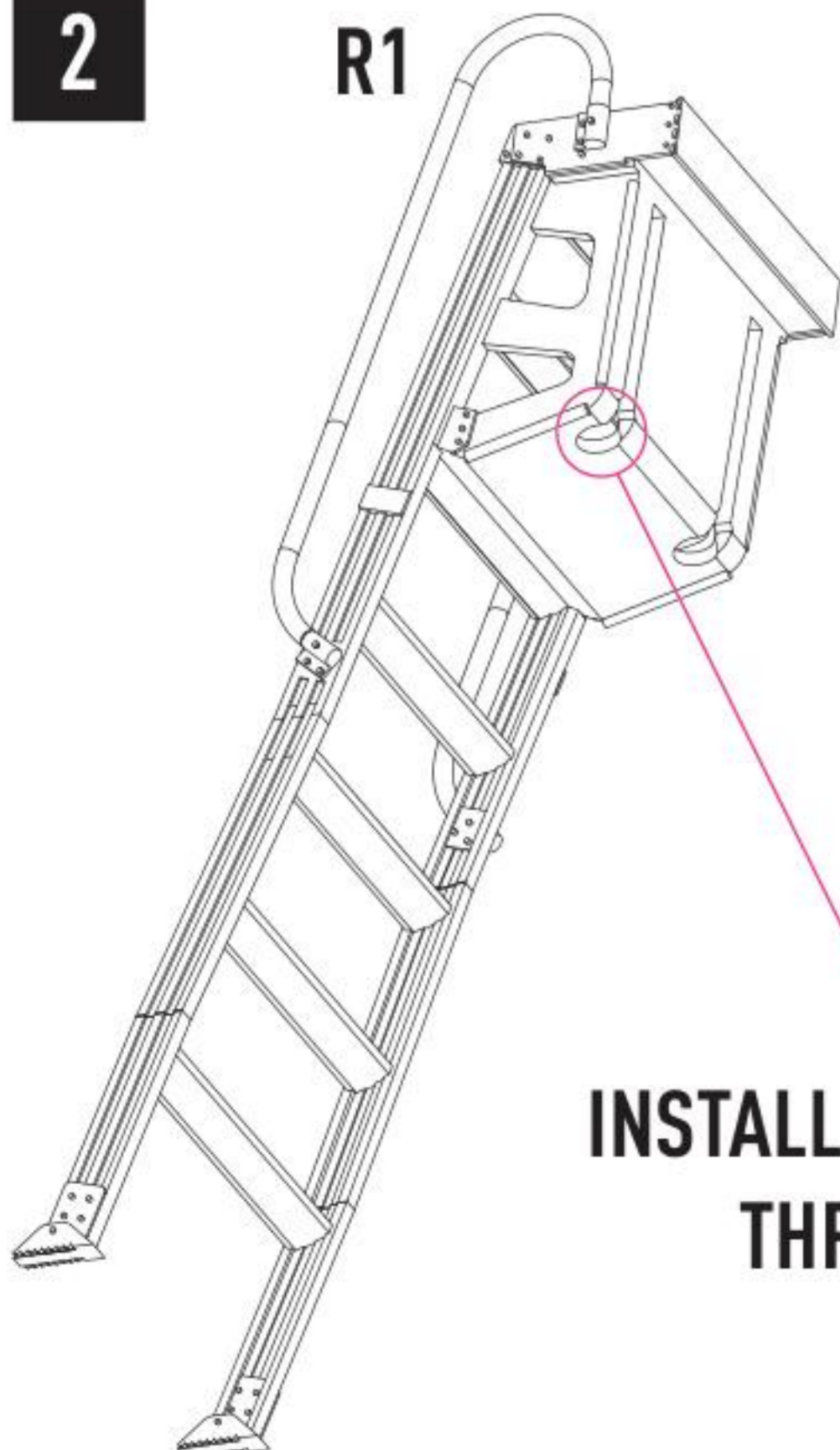


2

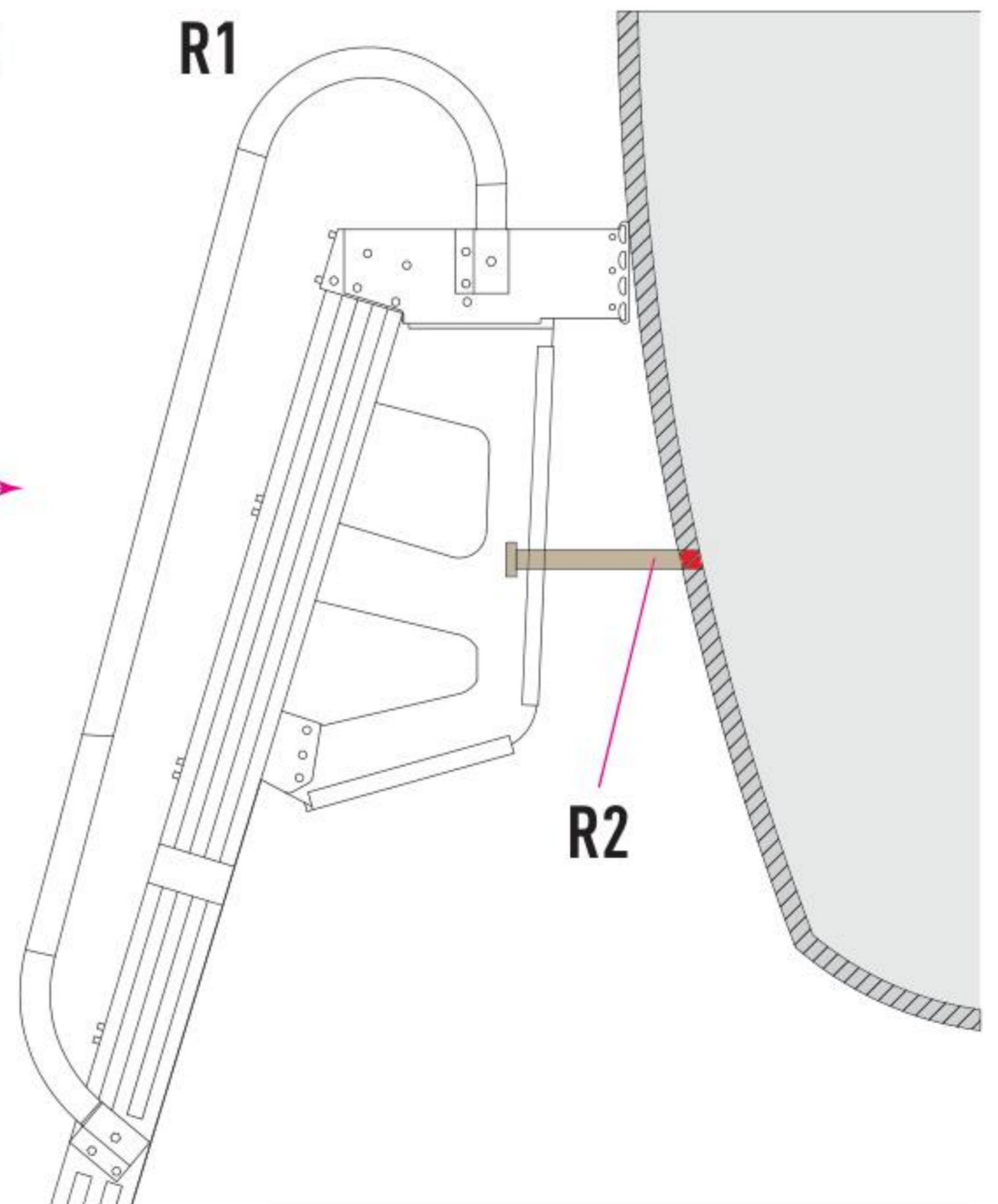
R1

INSTALL PART R2 INTO  
THE FUSELAGE

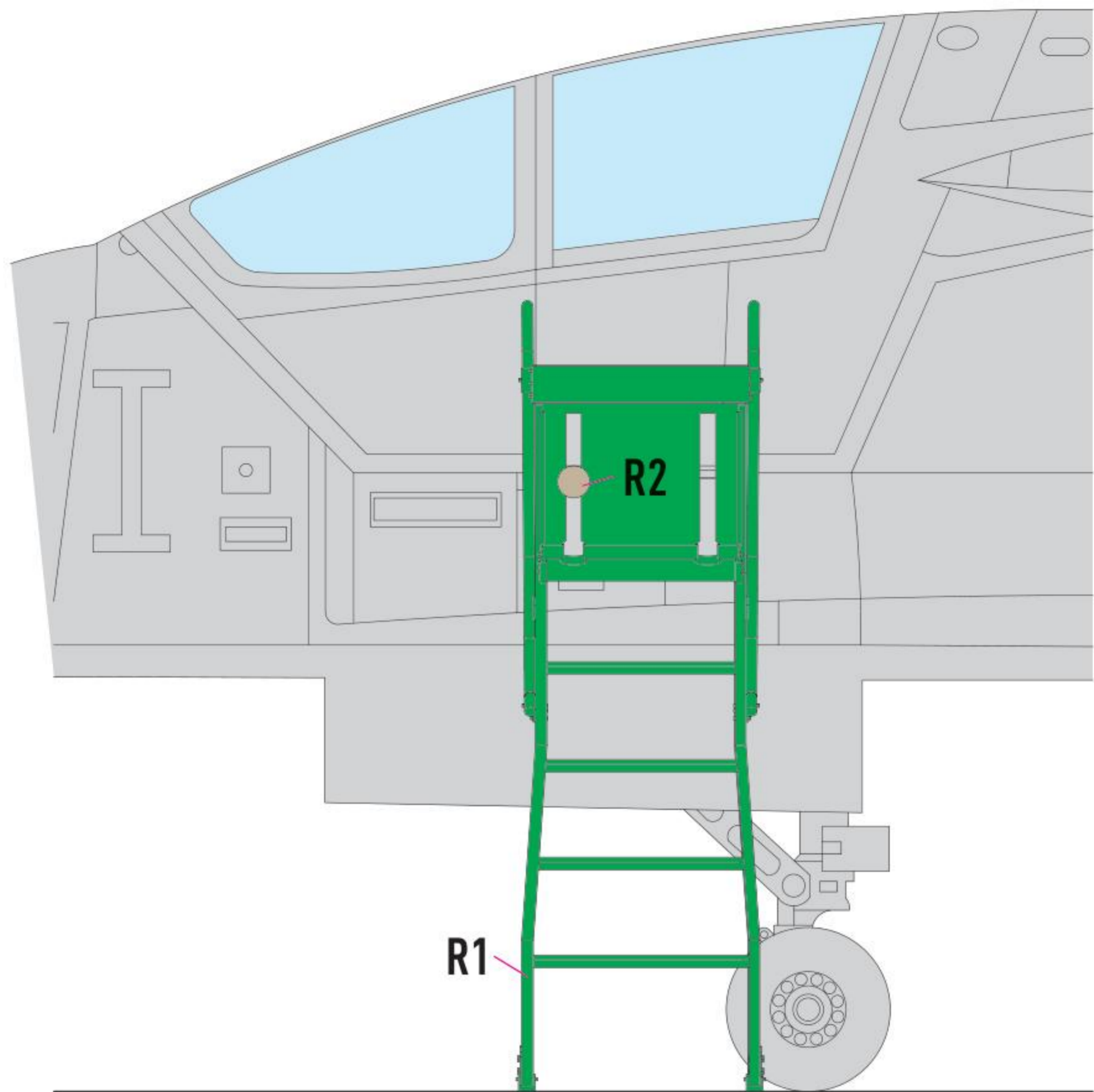
R1



INSTALL PART R1 ON PART R2  
THROUGH THE HOLE



### 3 LEFT SIDE



### 4 RIGHT SIDE

