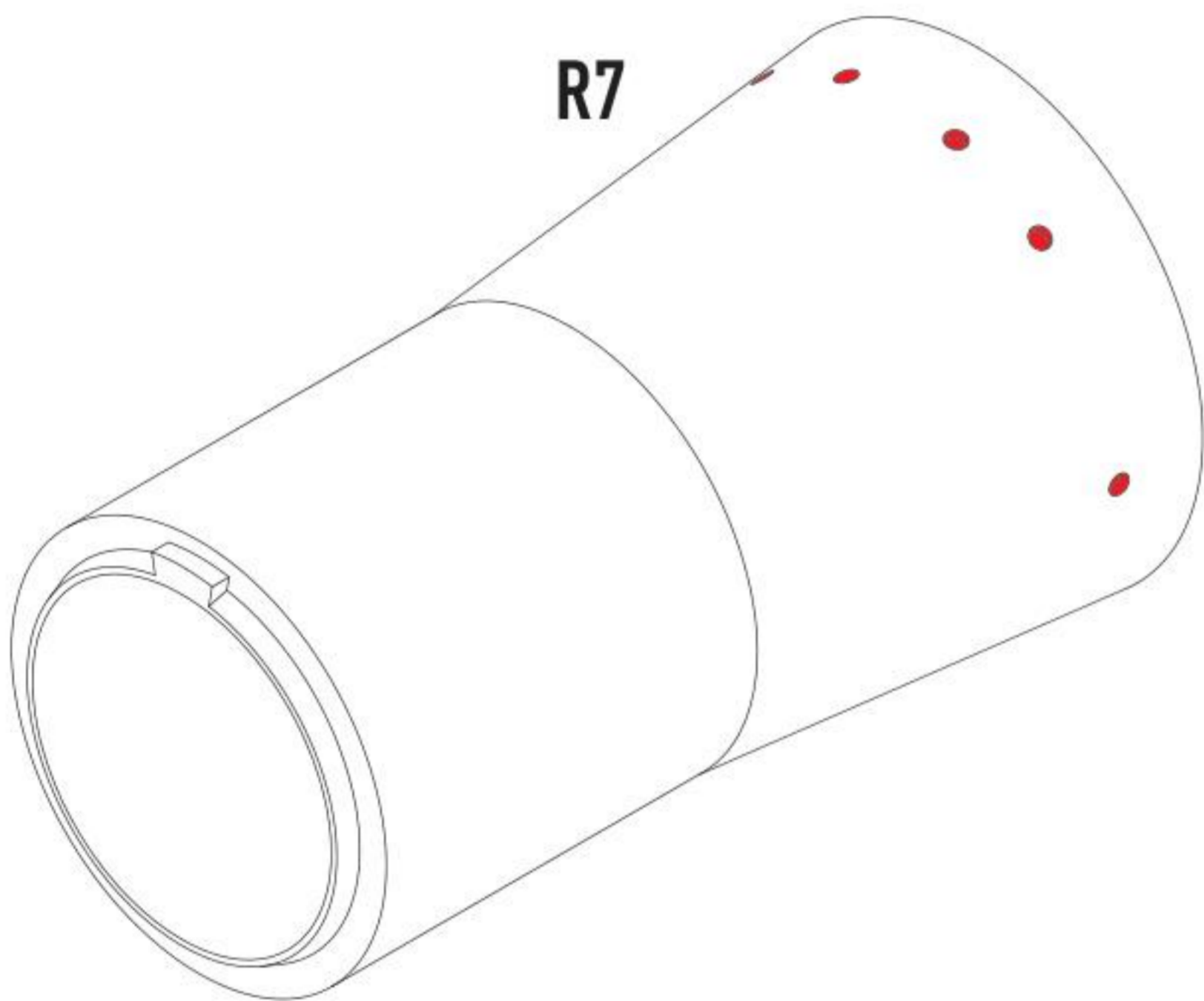
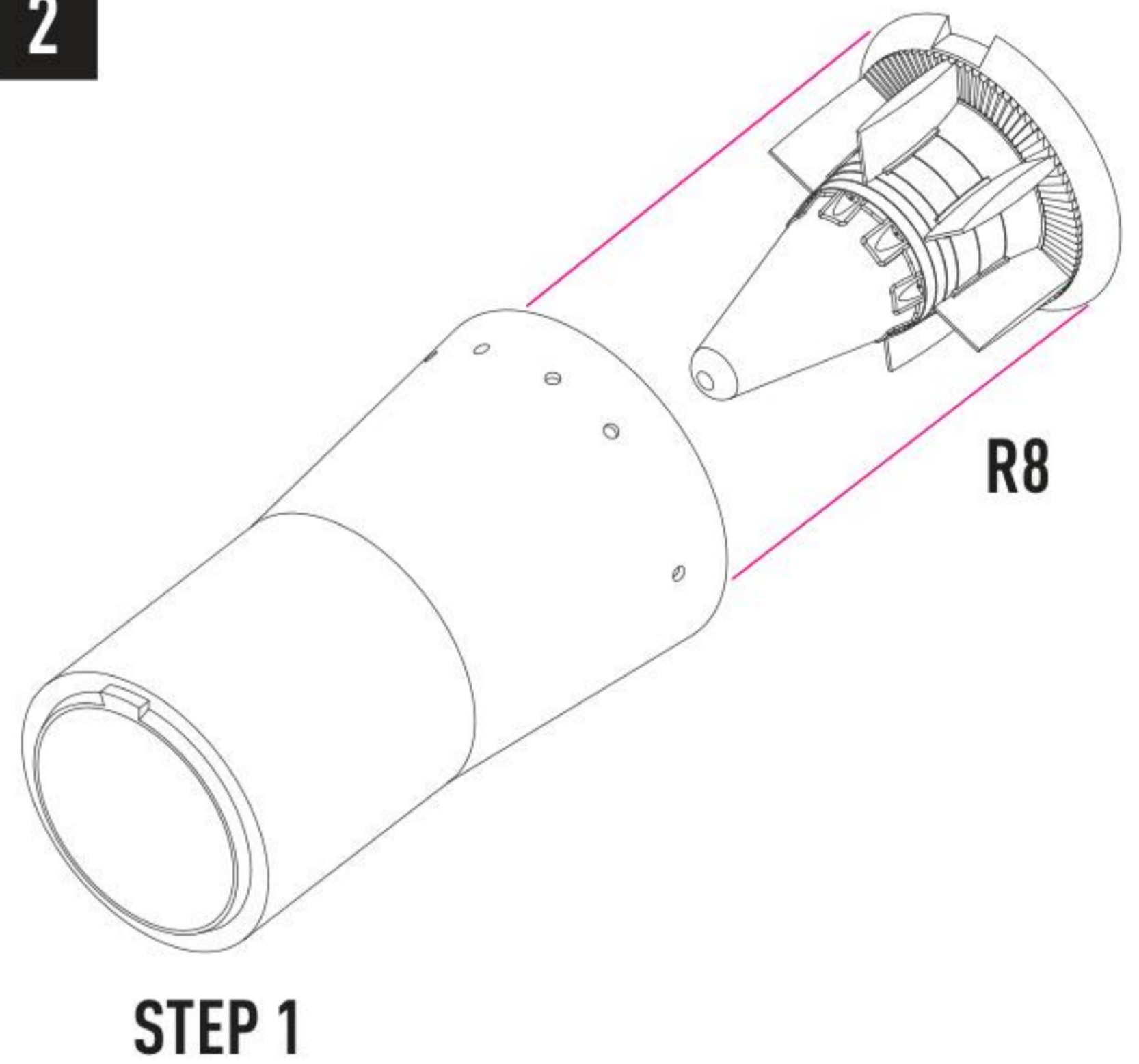


1 DRILL THROUGH HOLES D: 0.3 MM



2



3 USE WIRE D: 0.3 MM, A = L: 2.2 MM, B = L: 1.8 MM

