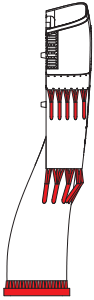
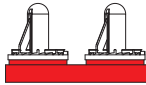


### CUT



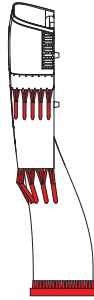
R1



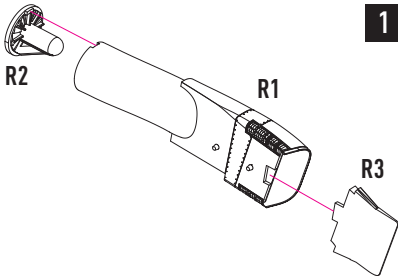
R2



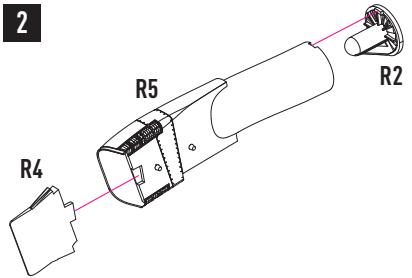
R3 R4



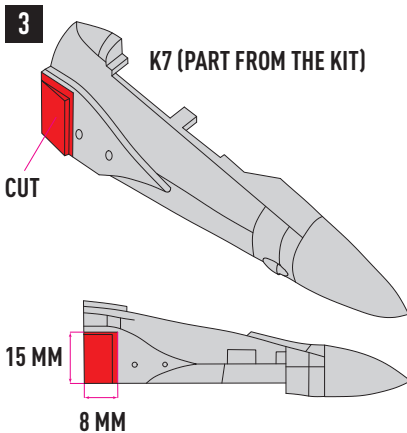
R5



1



2

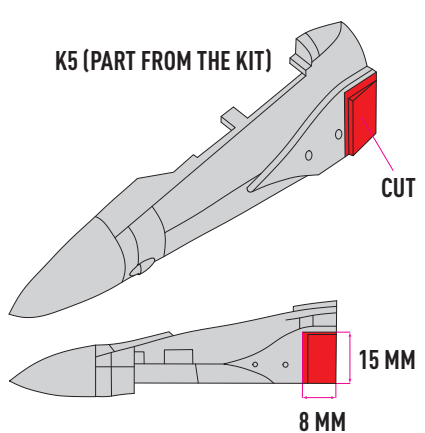


K7 (PART FROM THE KIT)

CUT

15 MM

8 MM



K5 (PART FROM THE KIT)

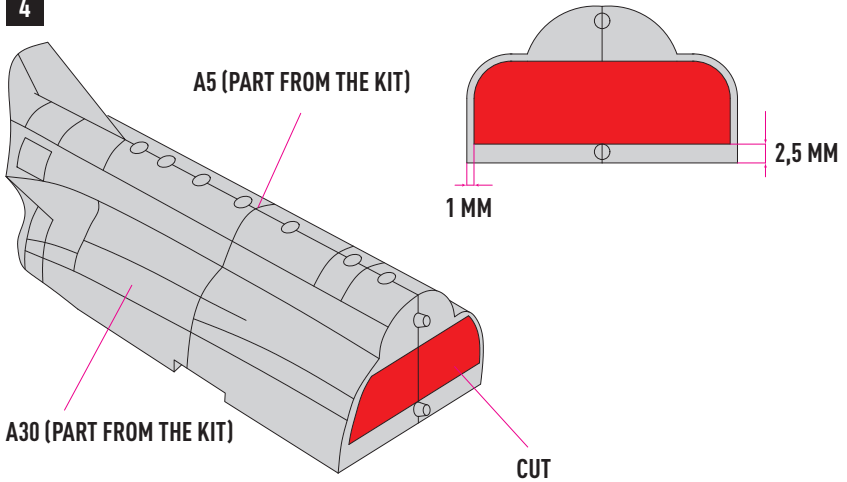
CUT

15 MM

8 MM

**NEXT, ASSEMBLE THE MODEL, ACCORDING TO  
THE INSTRUCTIONS OF THE PLASTIC KIT, UP TO STEP №6**

4



5

IN STEP 7, PLASTIC KIT INSTRUCTIONS, REPLACE PARTS  
J1, J2, J3, J4, J5, J6, Q29 WITH PARTS FROM THE RESKIT KIT

