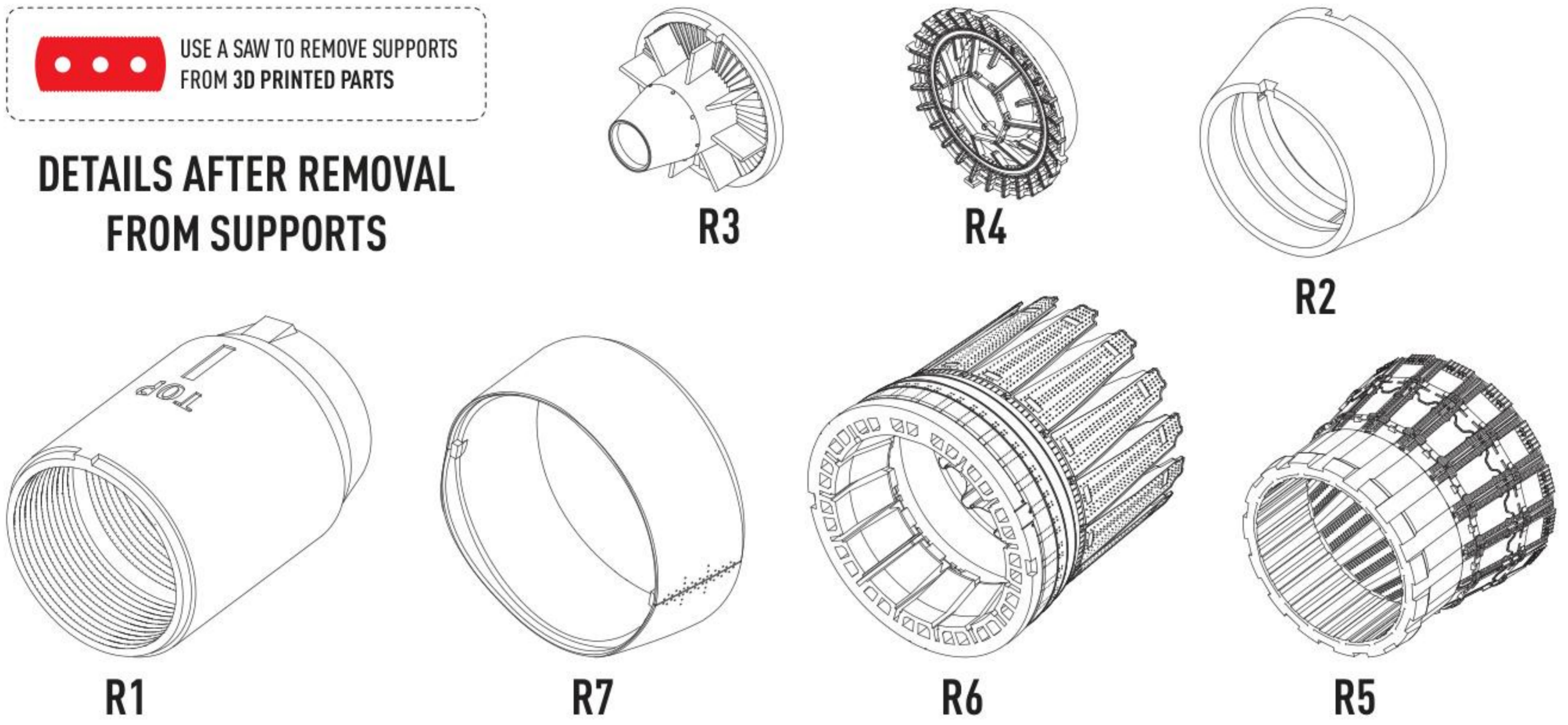
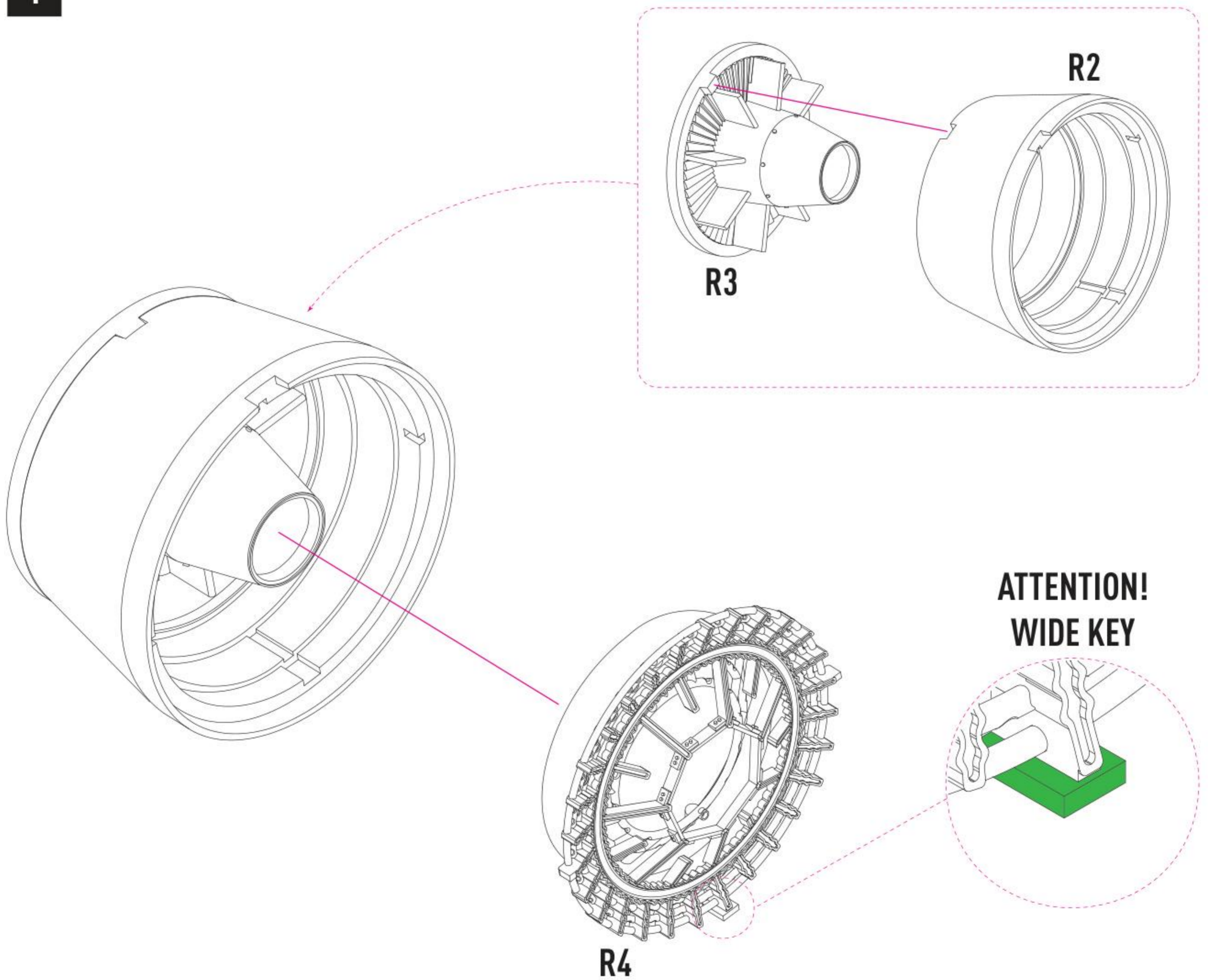


 USE A SAW TO REMOVE SUPPORTS FROM 3D PRINTED PARTS

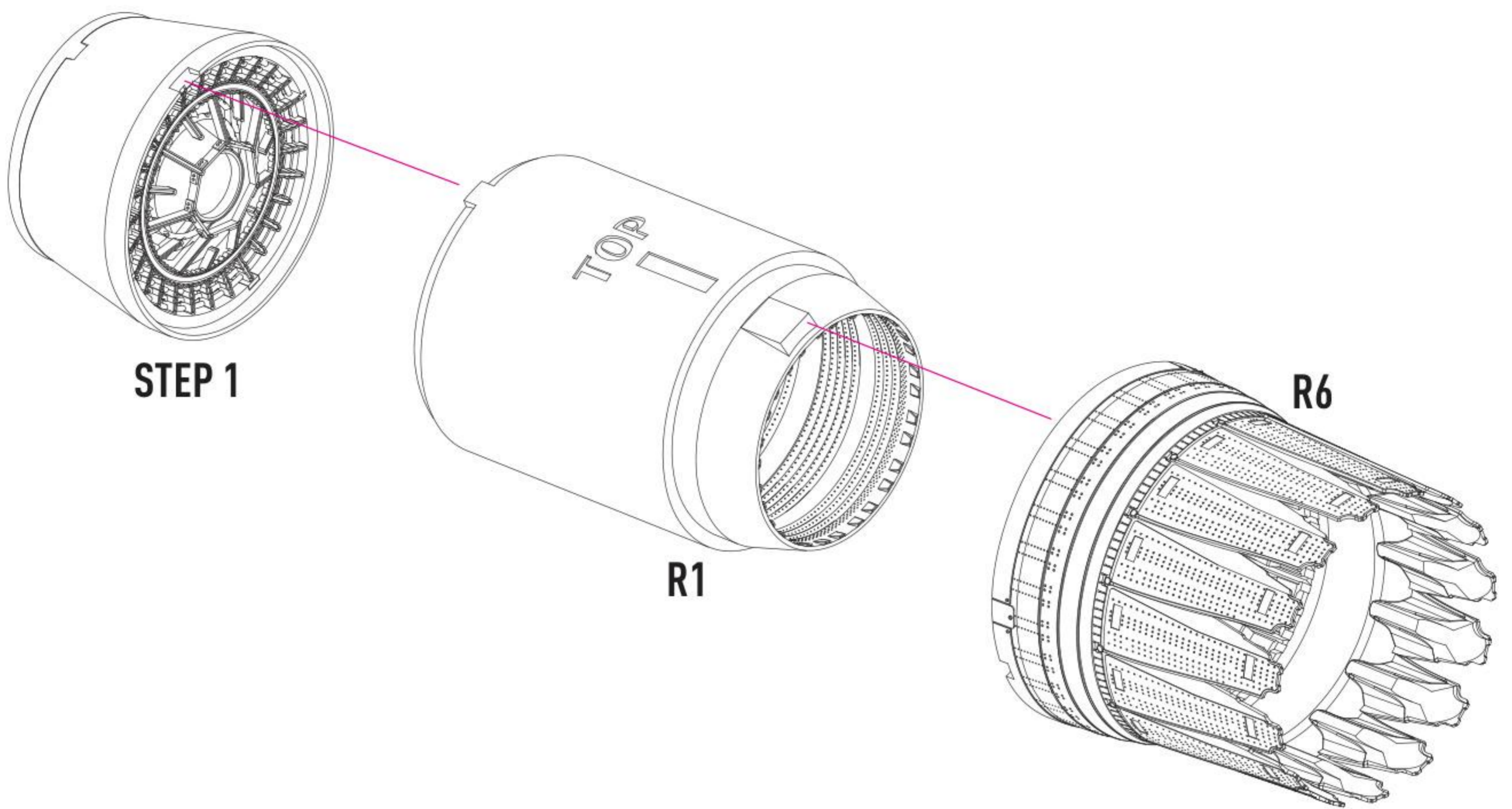
**DETAILS AFTER REMOVAL FROM SUPPORTS**



**1**



2



3

