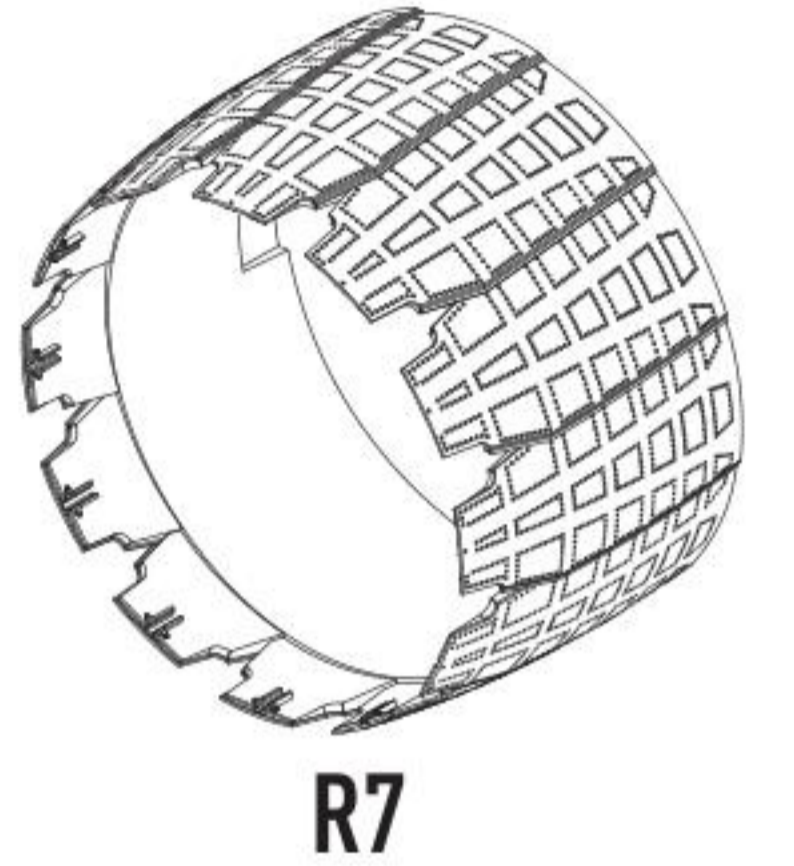
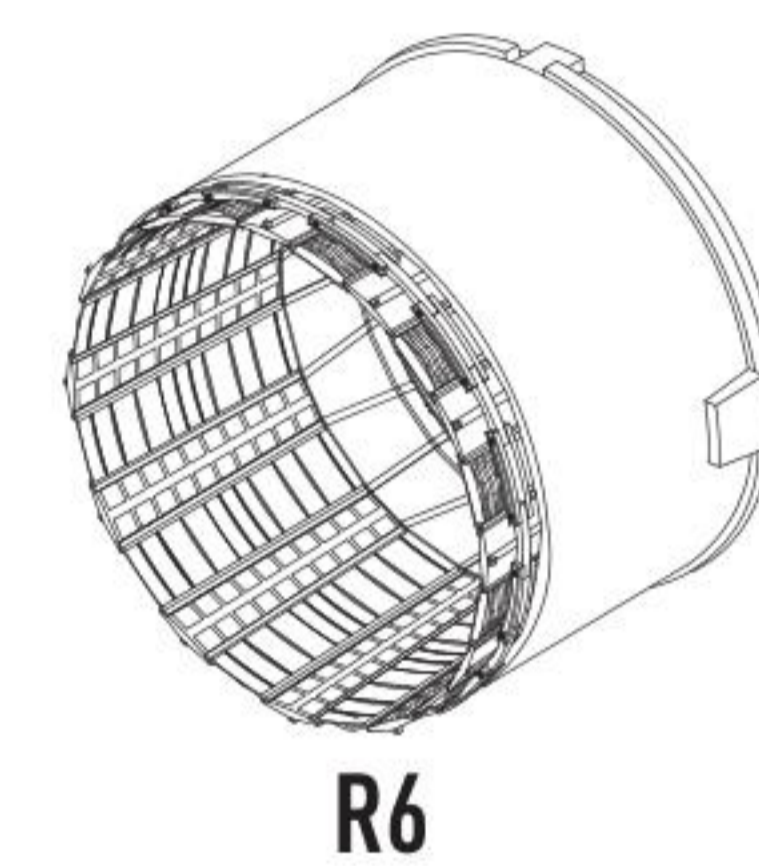
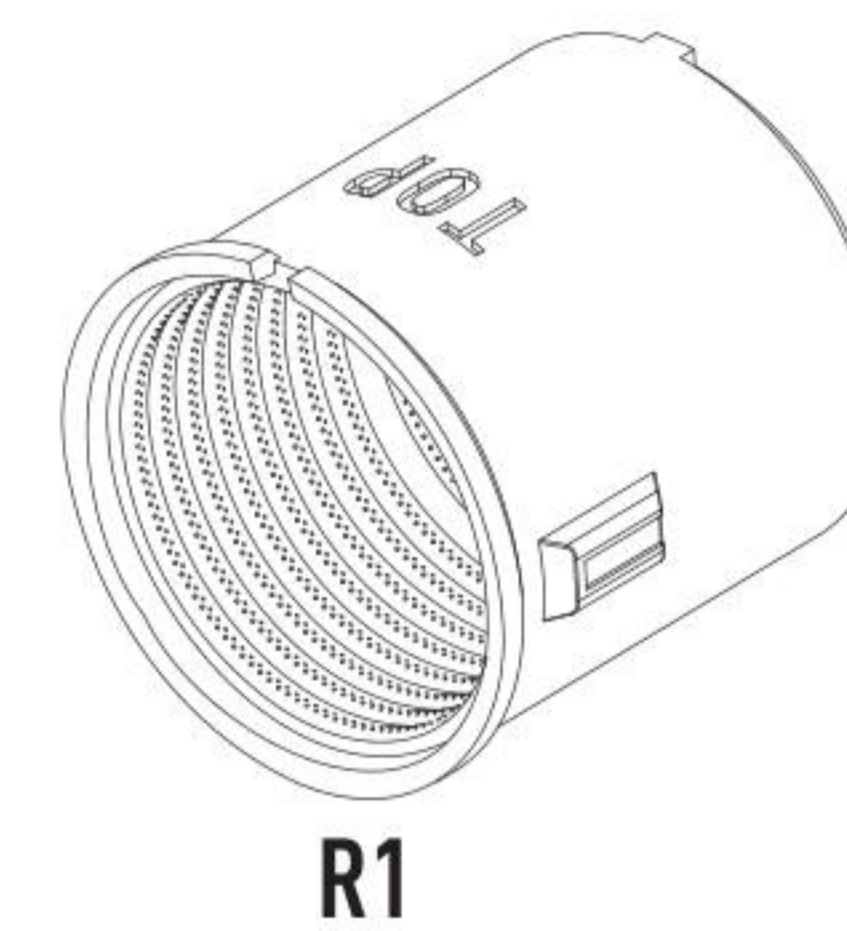
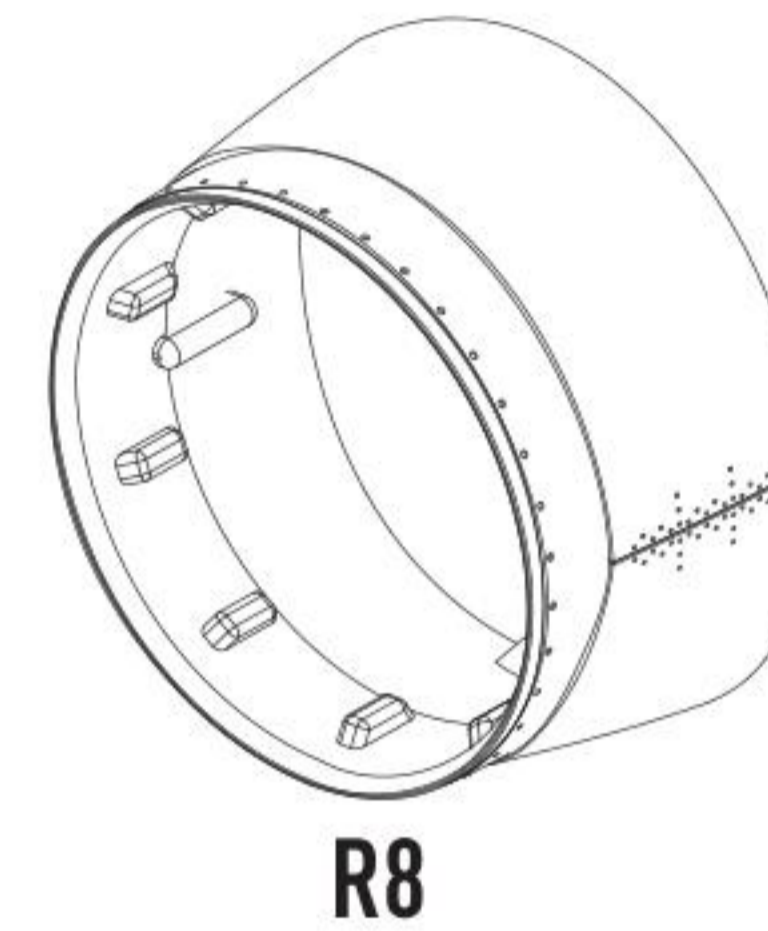
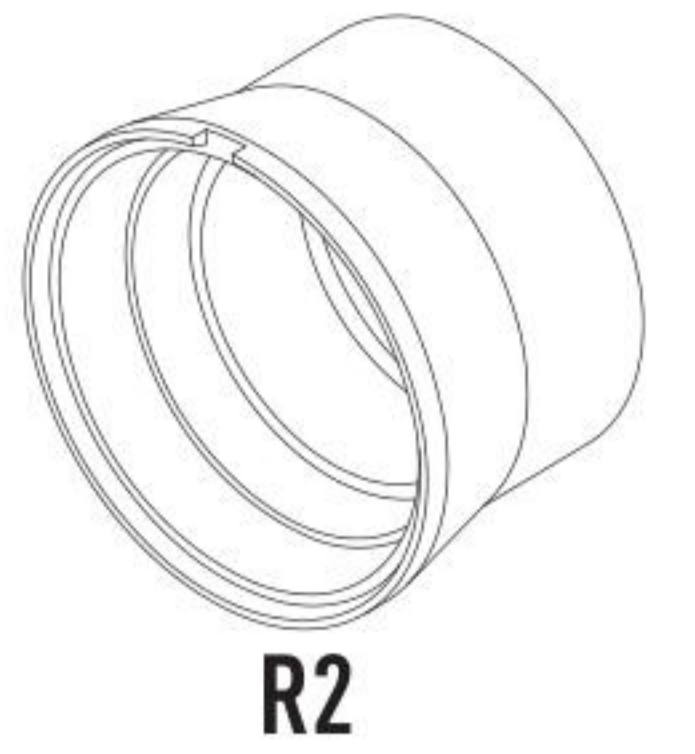
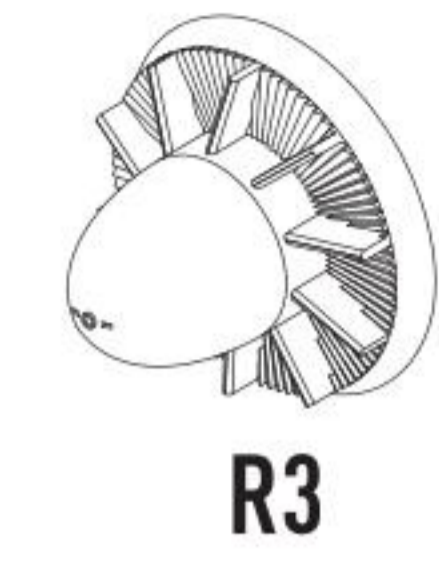


USE A SAW TO REMOVE SUPPORTS
FROM 3D PRINTED PARTS

**DETAILS AFTER REMOVAL
FROM SUPPORTS**

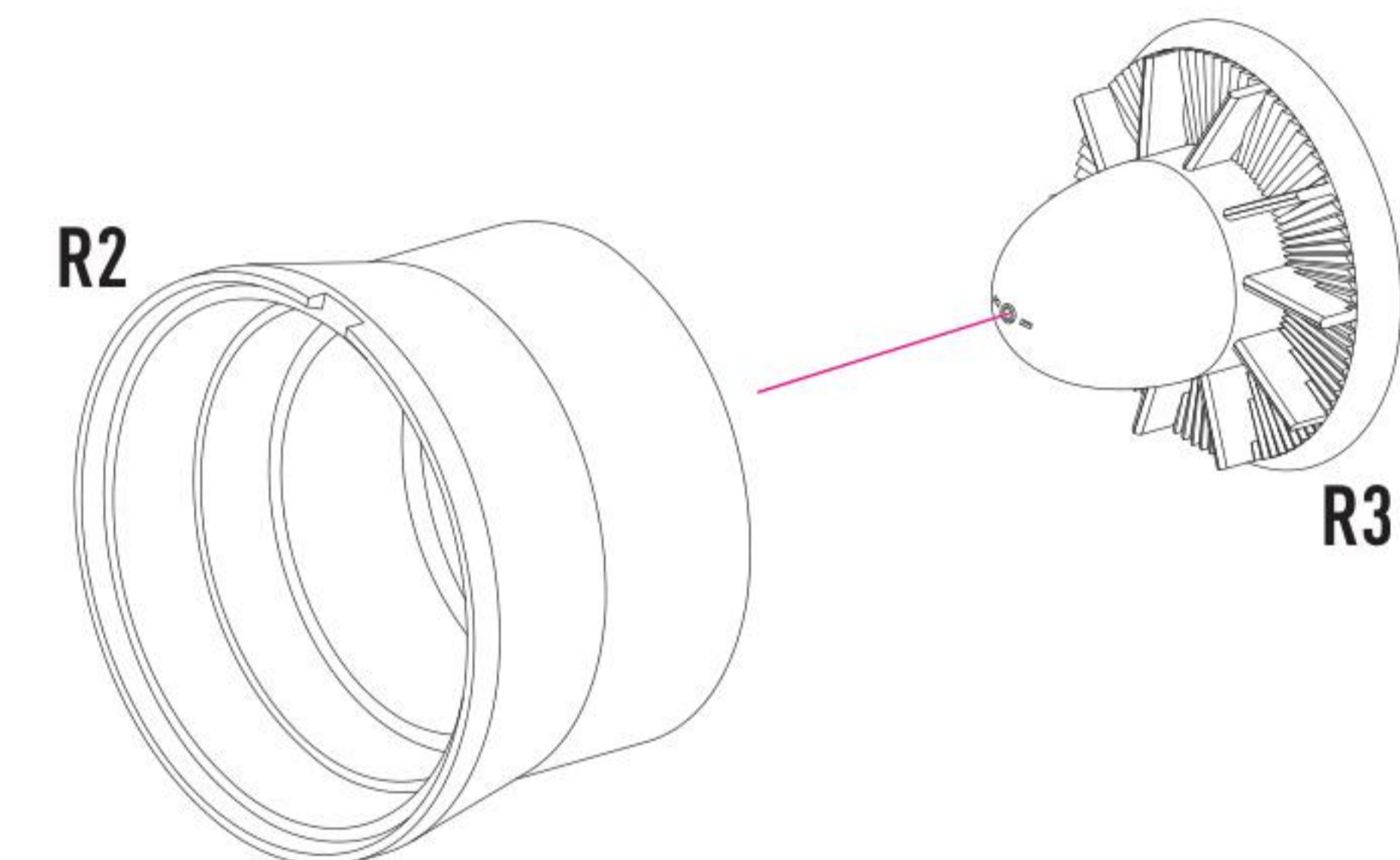


YOU CAN FIND INSTRUCTIONS
IN PDF FORMAT ON THE WEBSITE

RESKIT-MODELS.COM

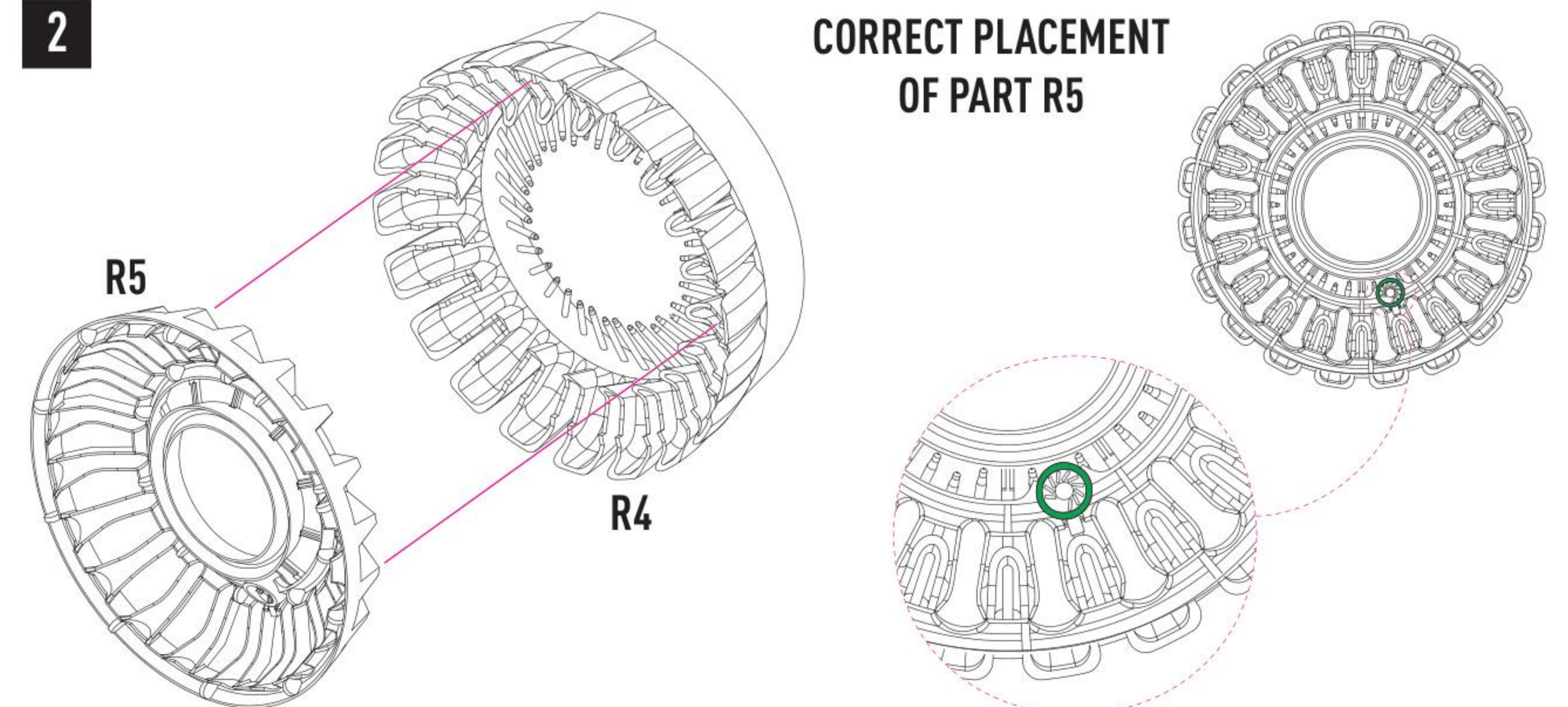
General Issues: info@reskit.com.ua
Wholesales: sales@reskit.com.ua
Claim Resolution: claims@reskit.com.ua

1

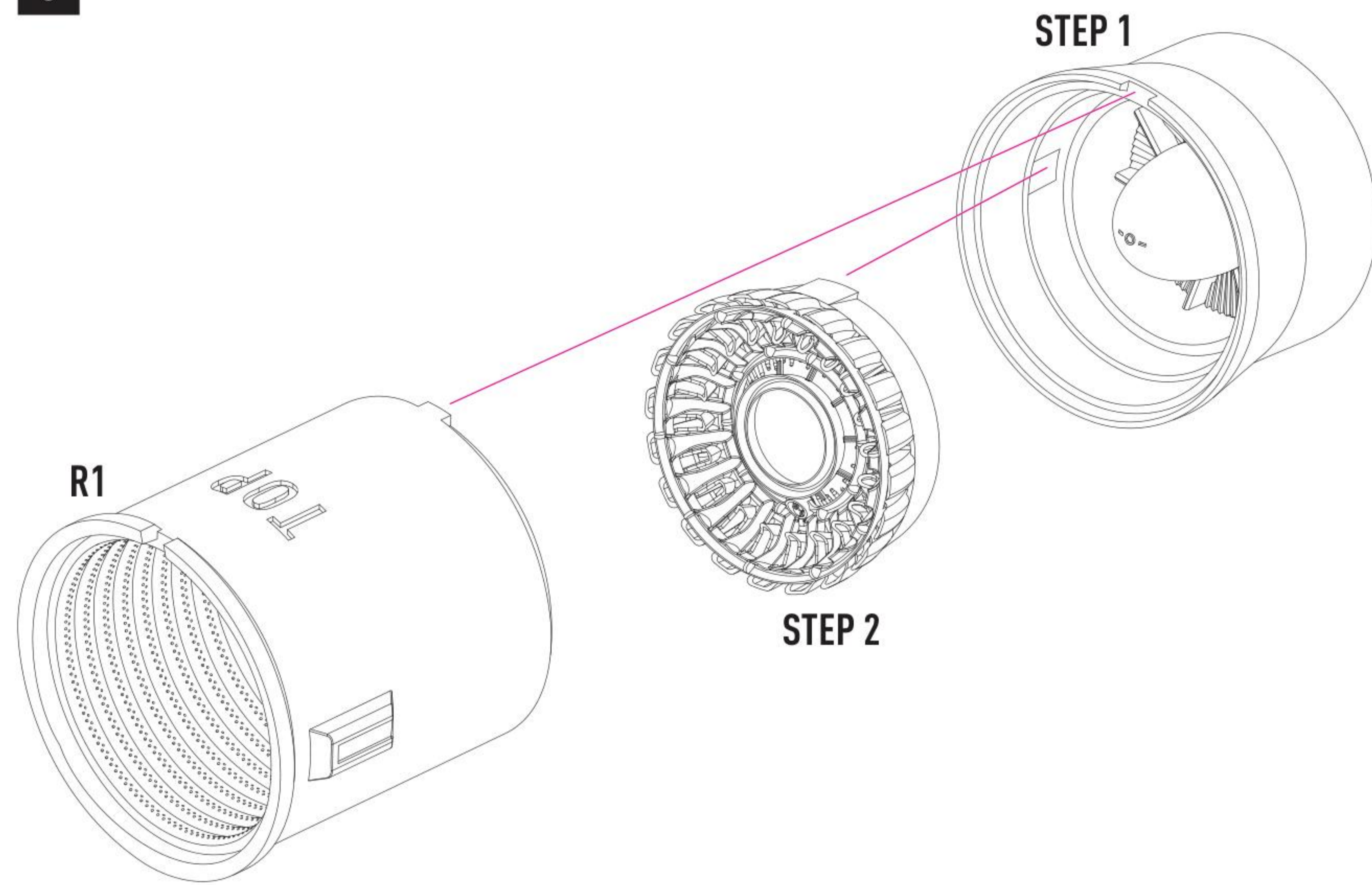


2

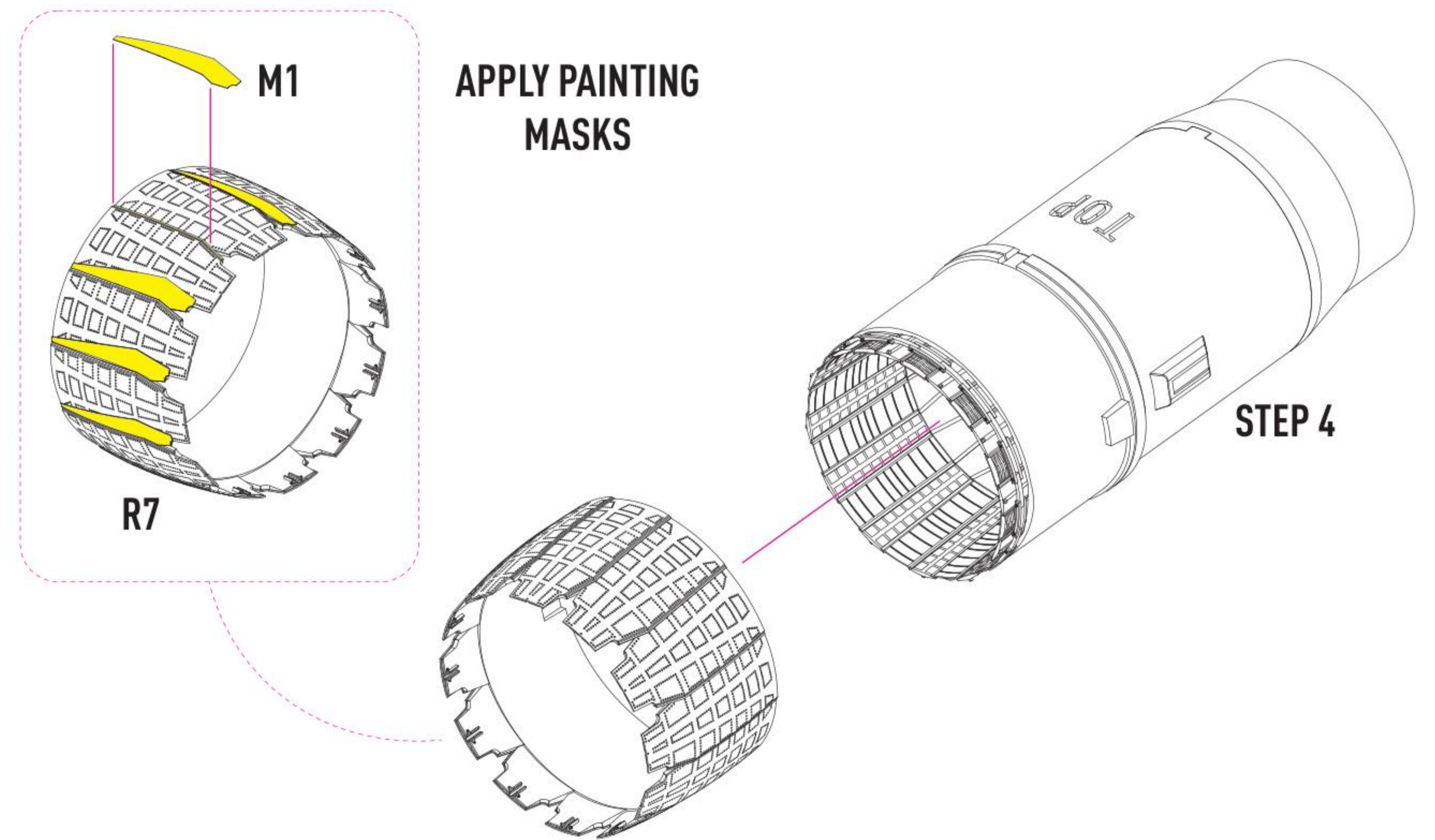
**CORRECT PLACEMENT
OF PART R5**



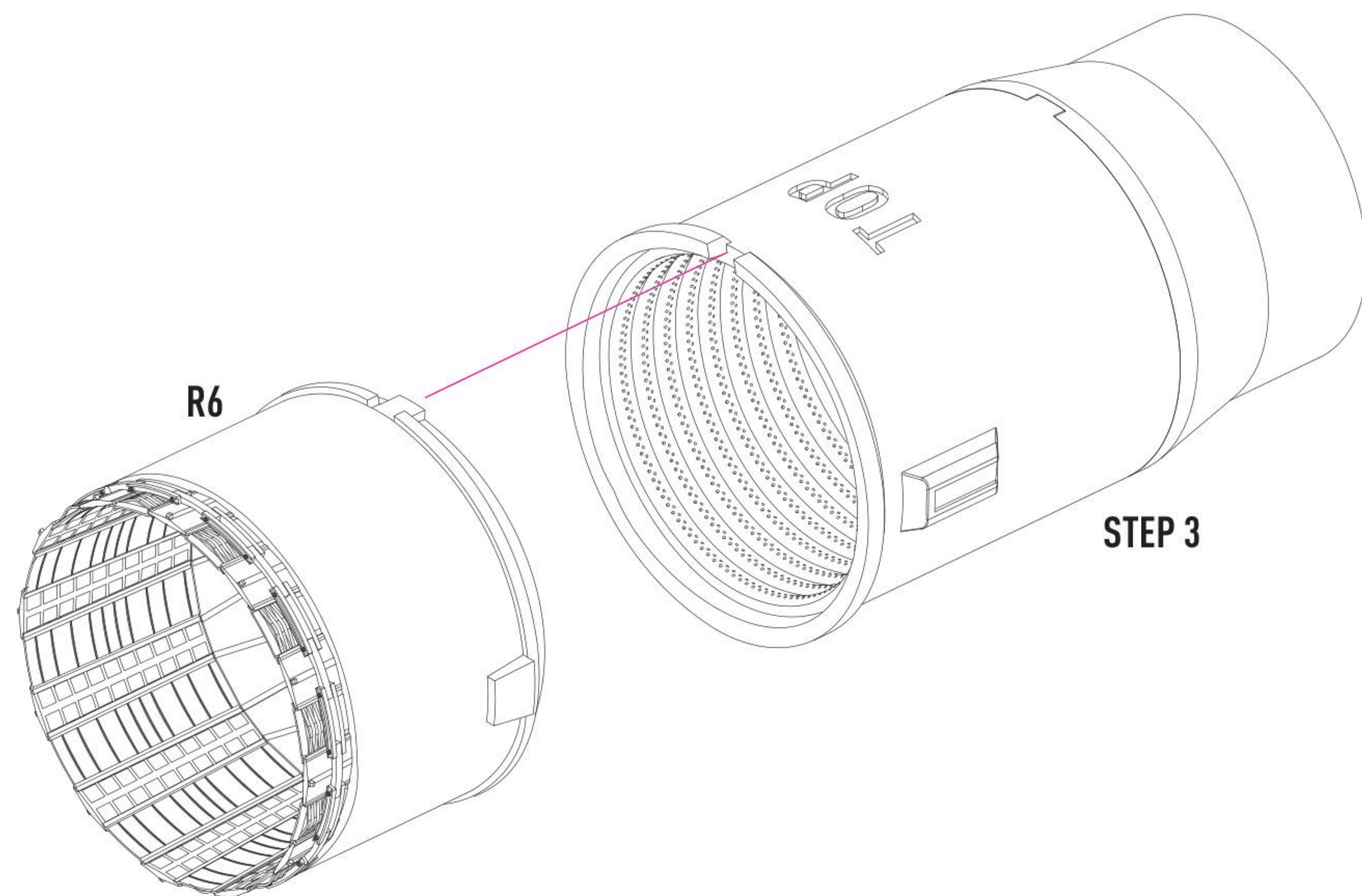
3



5



4



6

