



RESIN PARTS  
FOR SCALE PLASTIC KITS

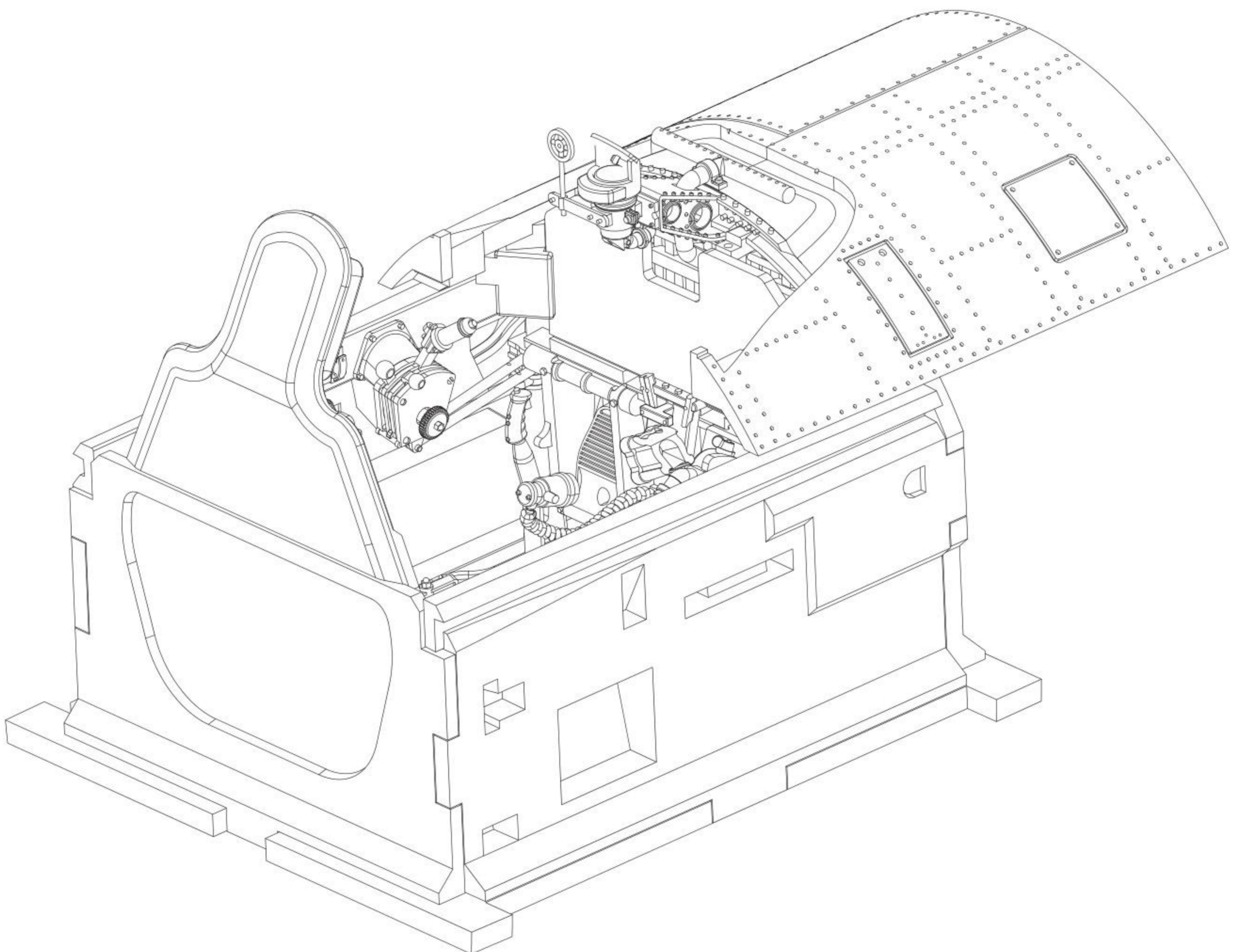
YOU CAN FIND INSTRUCTIONS  
IN PDF FORMAT ON THE WEBSITE

INSTRUCTION **RSU48-0588**

# P-47D-30 THUNDERBOLT COCKPIT

## BASIC EDITION WITH 3D DECALS

**3D** PRINTED  
PARTS

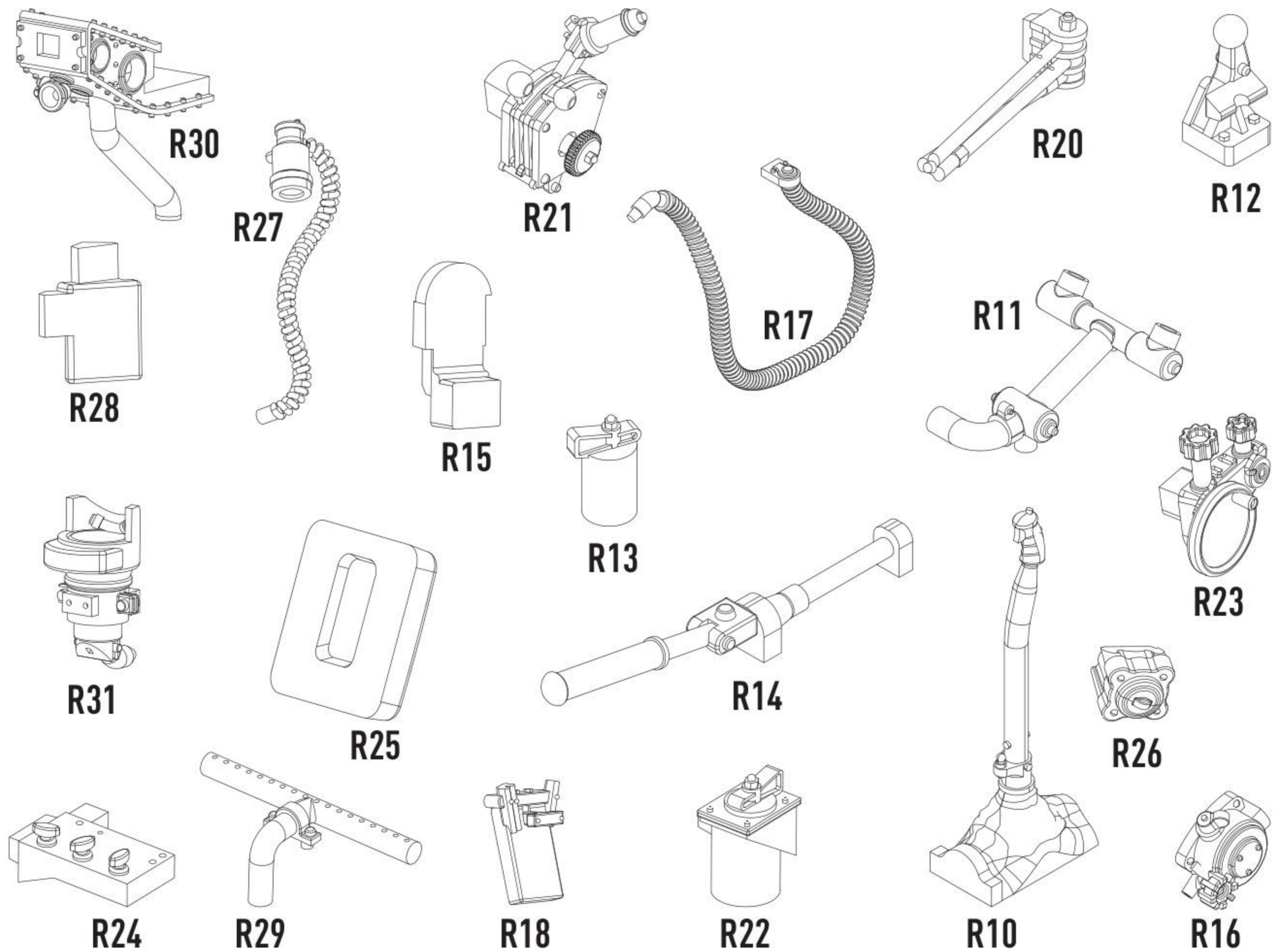
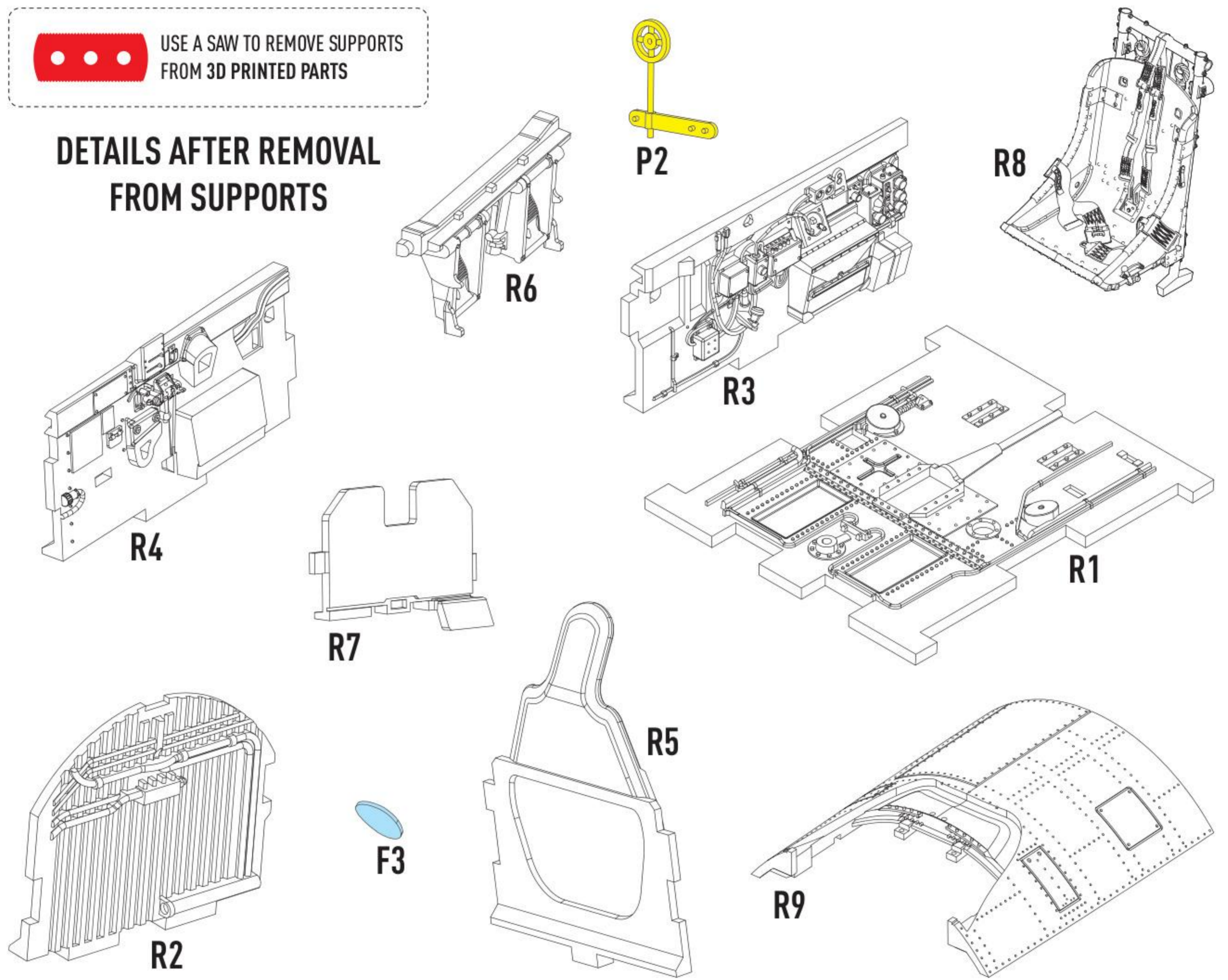


**FOR MINIART KIT**



USE A SAW TO REMOVE SUPPORTS FROM 3D PRINTED PARTS

## DETAILS AFTER REMOVAL FROM SUPPORTS



general Issues: [info@reskit.com.ua](mailto:info@reskit.com.ua) / claim resolution: [claims@reskit.com.ua](mailto:claims@reskit.com.ua)

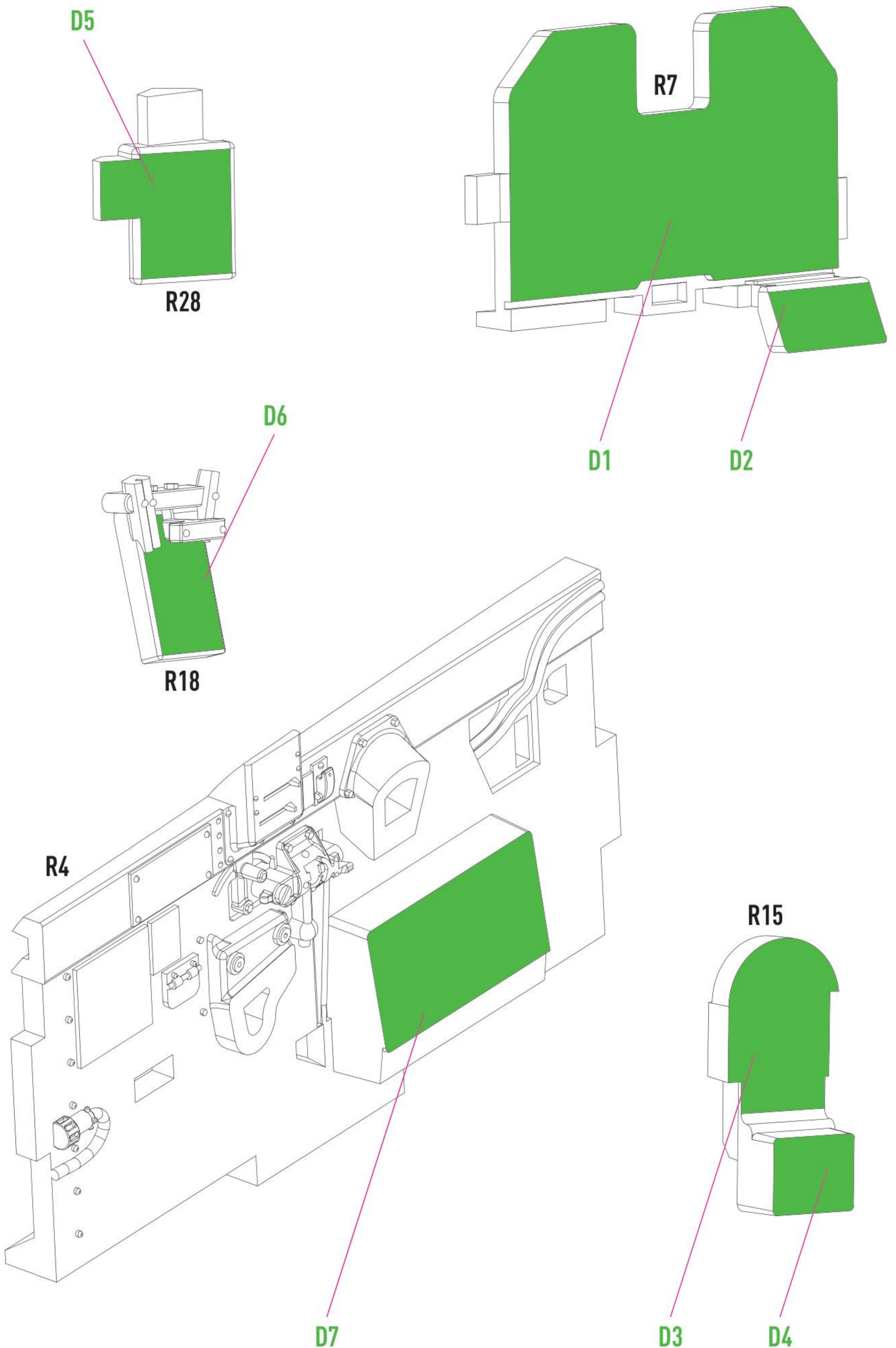
**RESKIT-MODELS.COM**

[fb.com/reskit.official](https://fb.com/reskit.official)

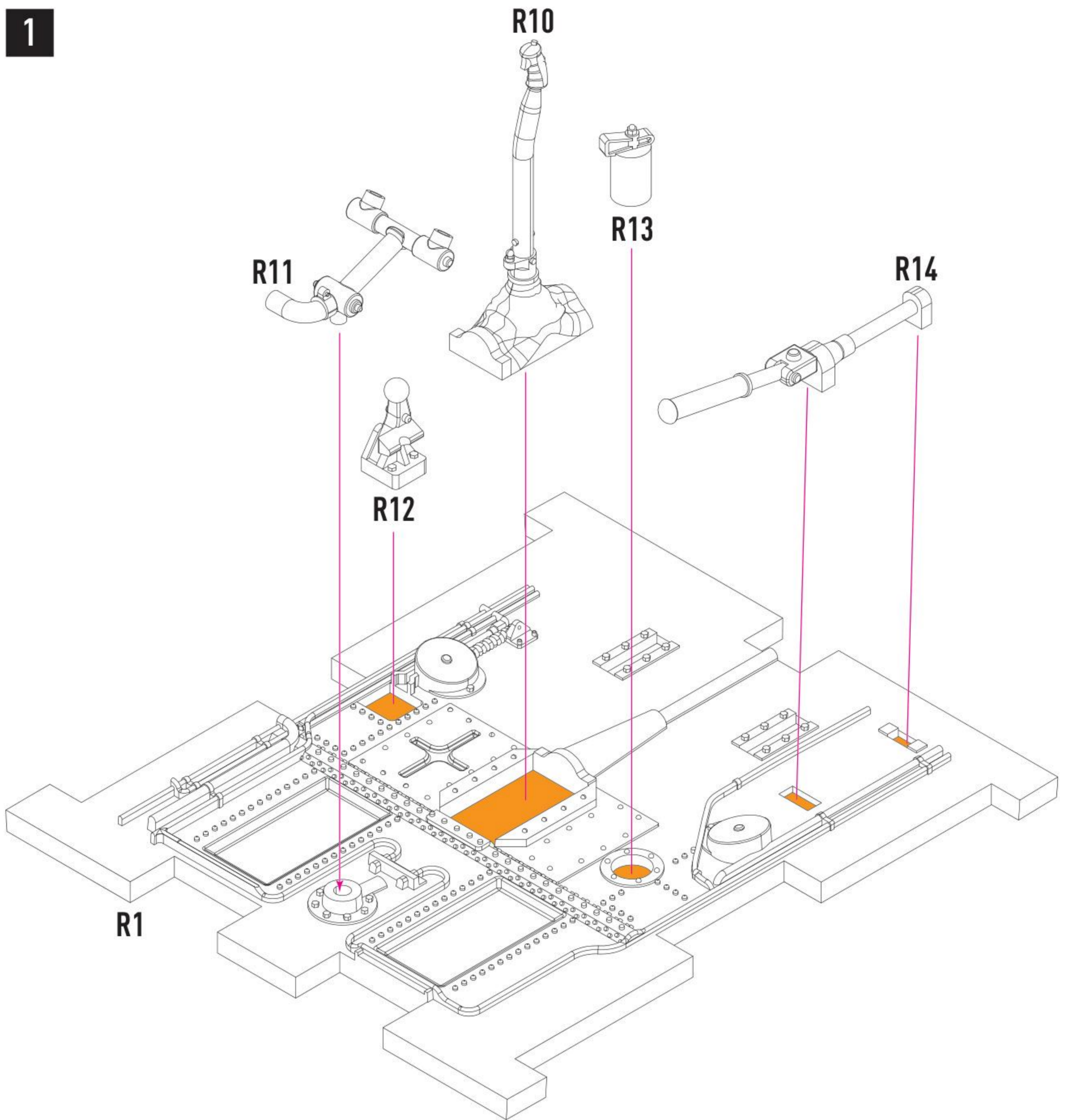
[instagram.com/reskit\\_official](https://instagram.com/reskit_official)

[youtube.com/@reskit-usmd](https://youtube.com/@reskit-usmd)

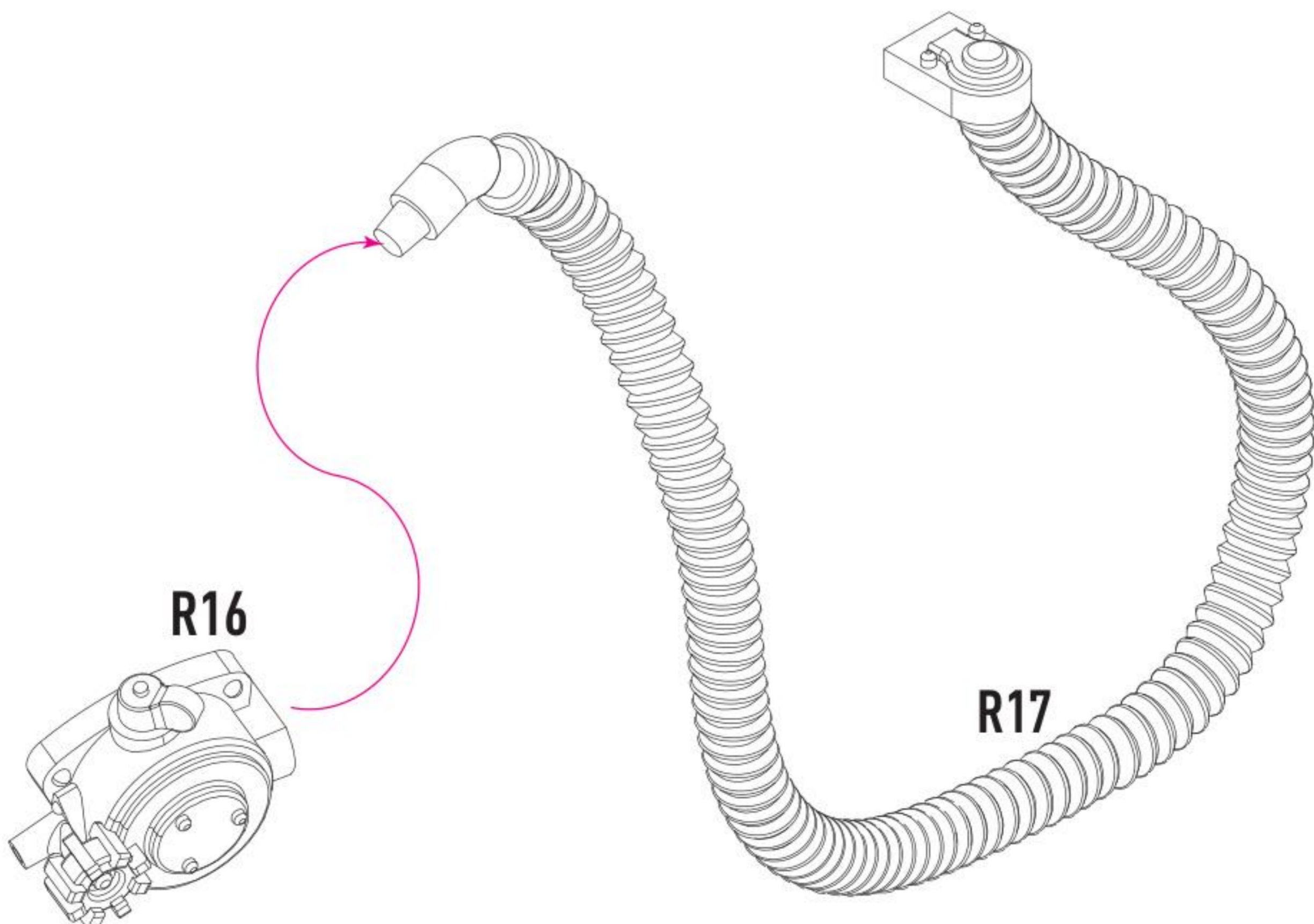
# 3D-DECAL INSTRUCTION



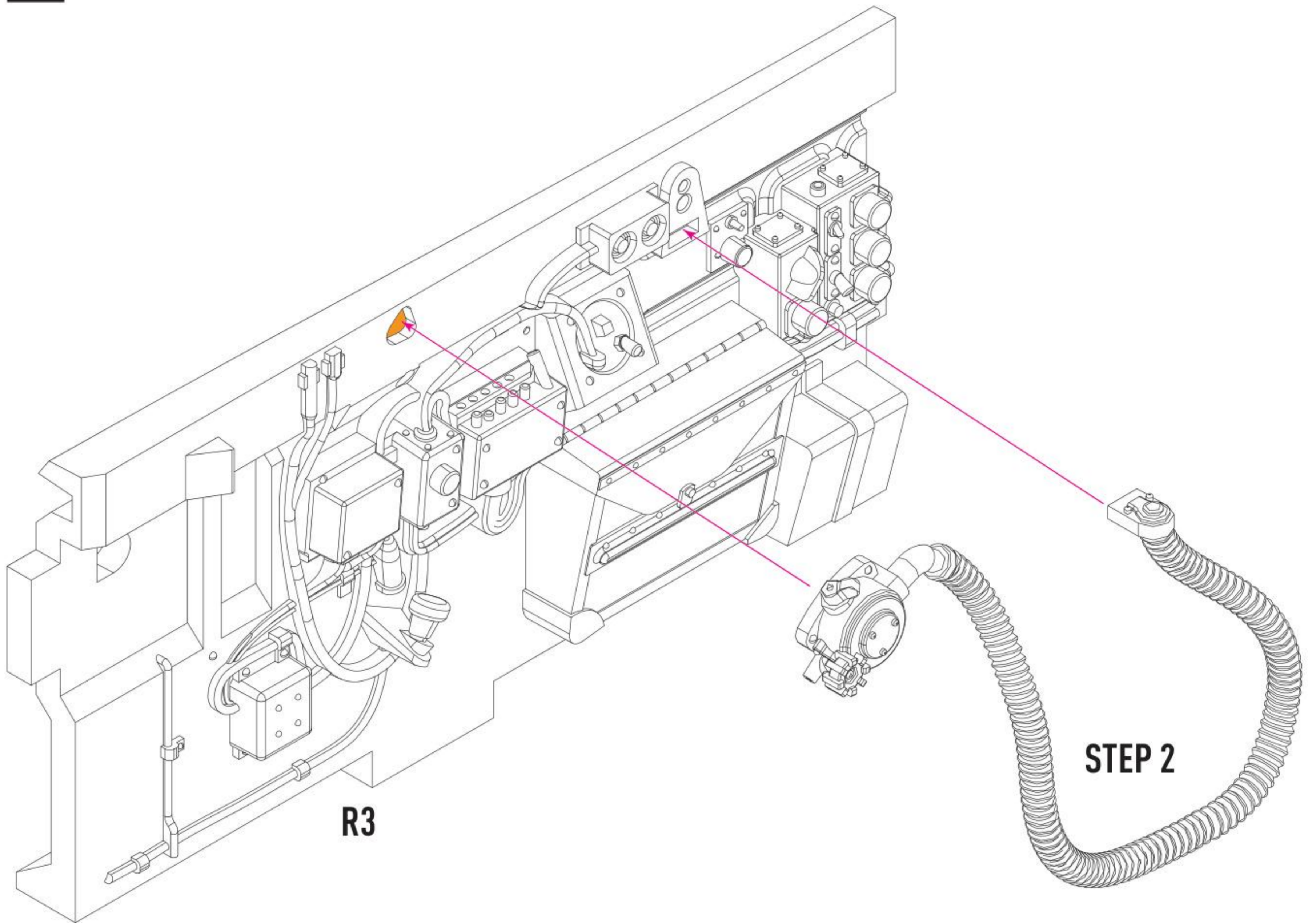
1



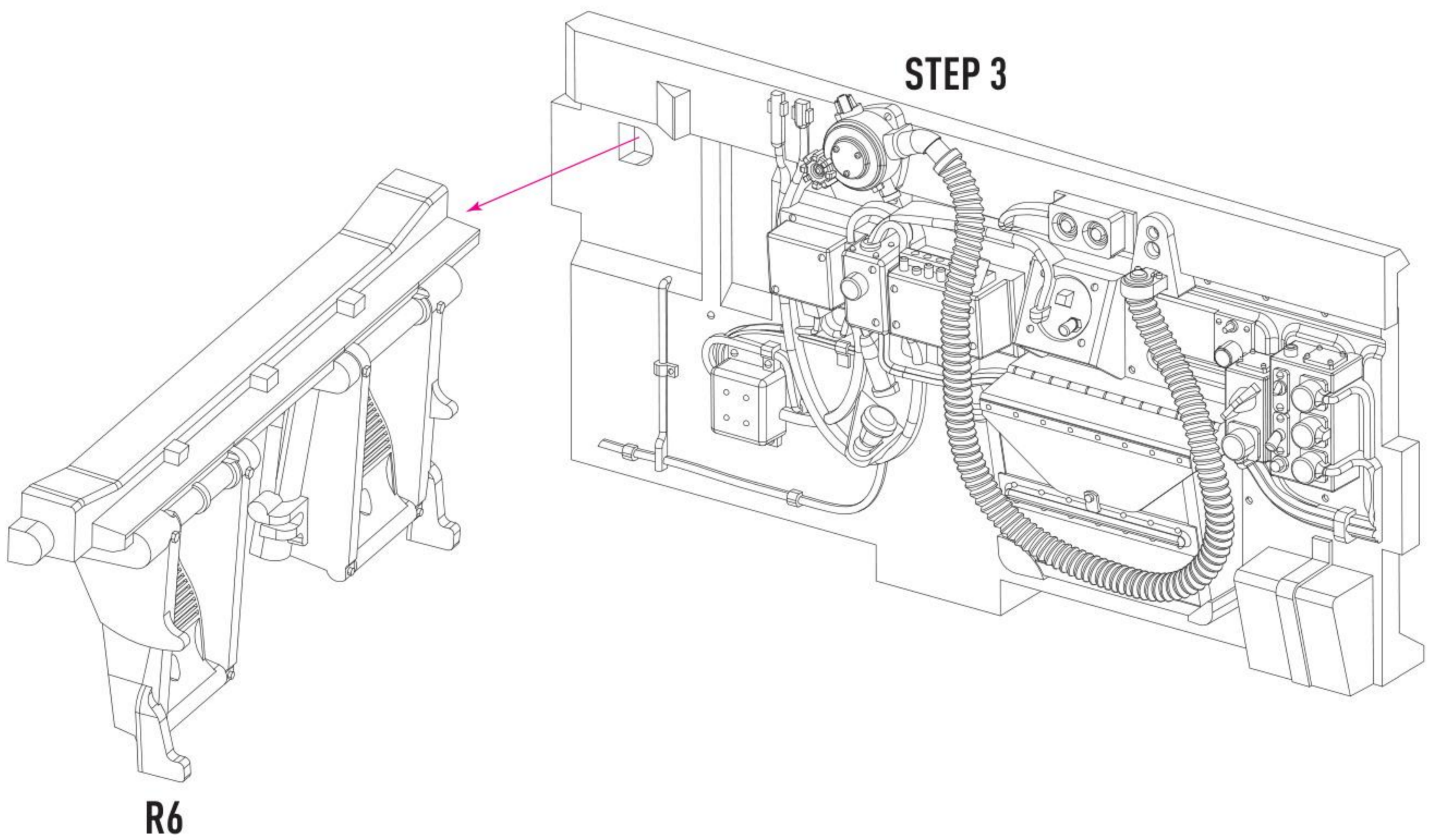
2



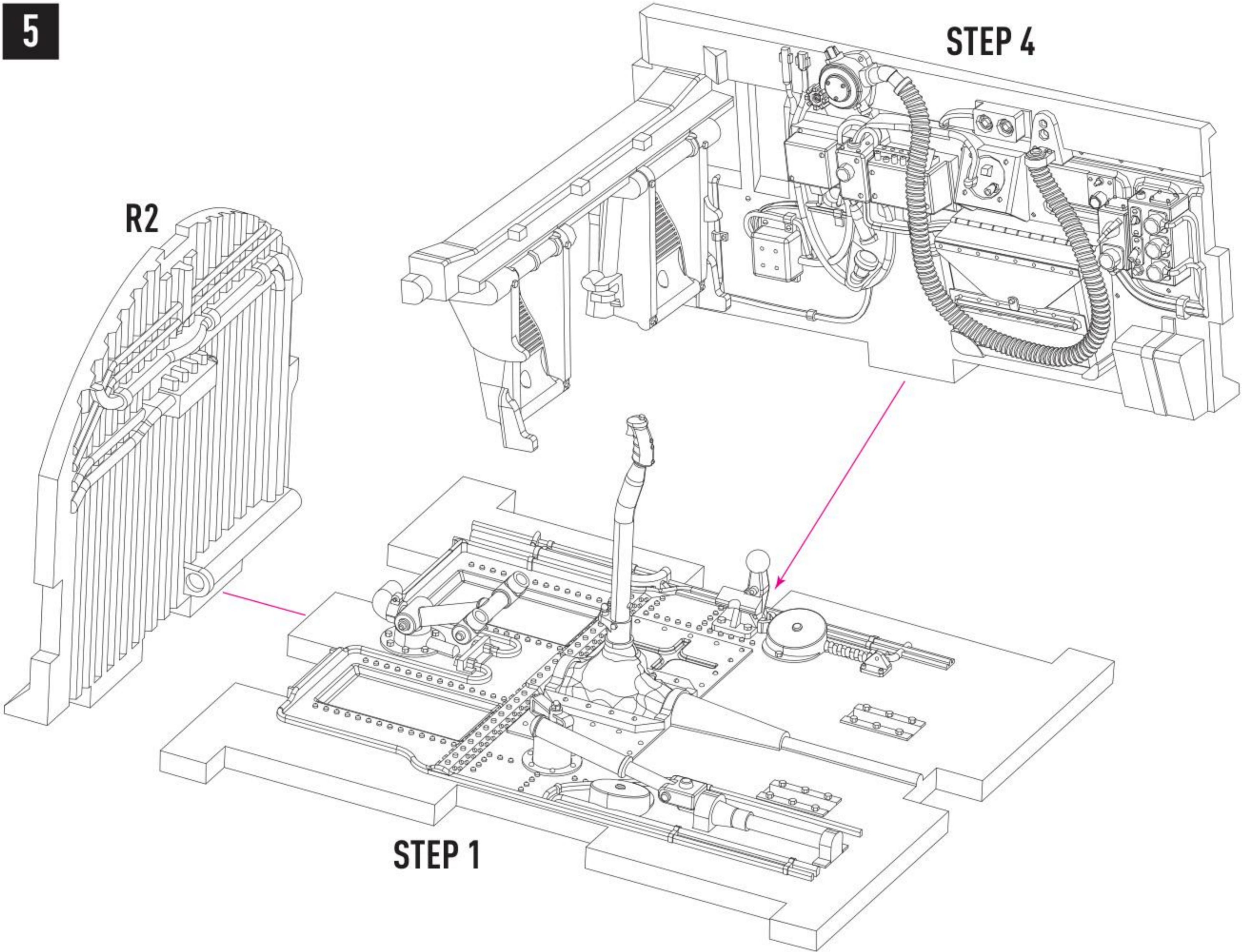
3



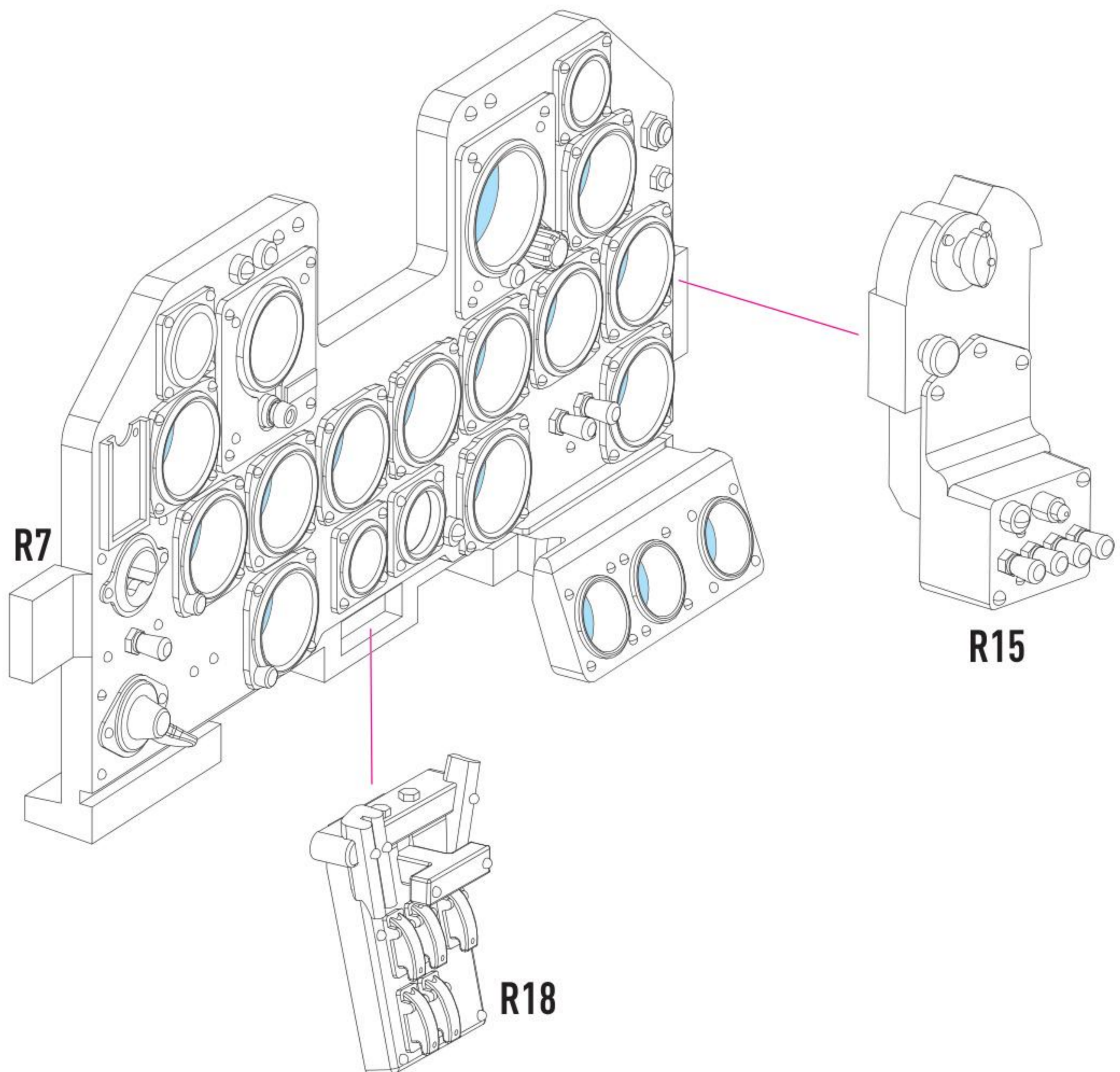
4



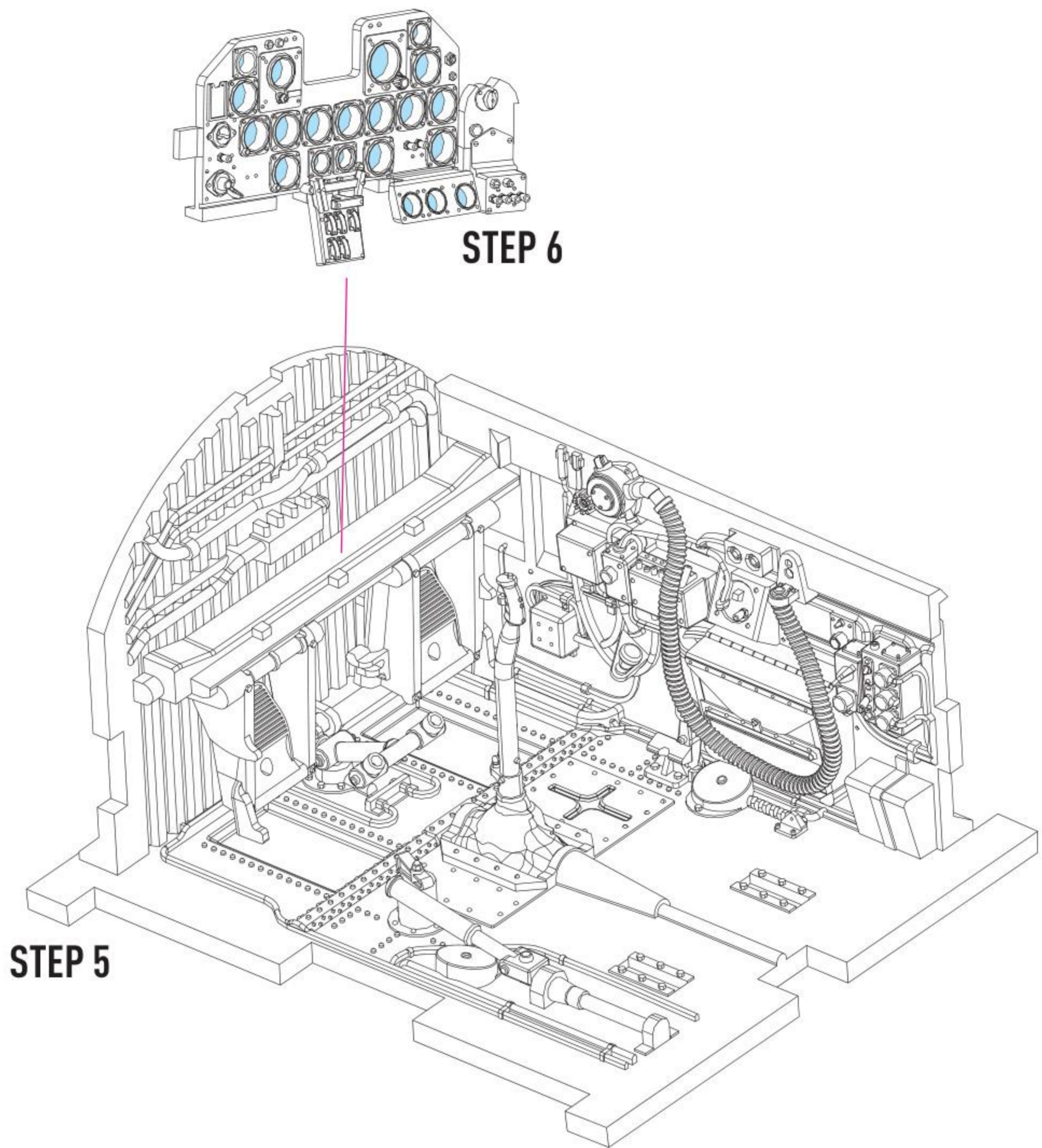
5



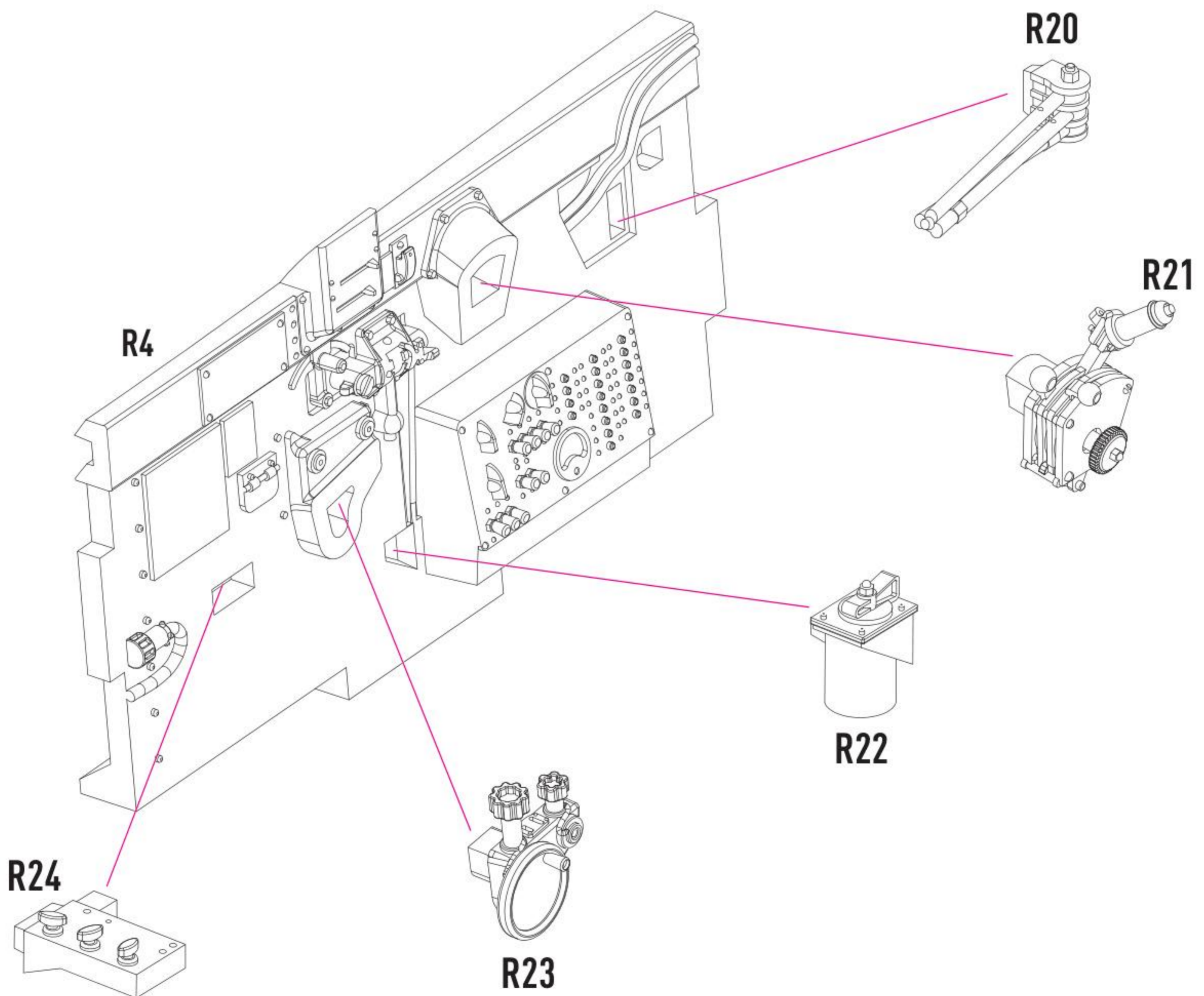
6



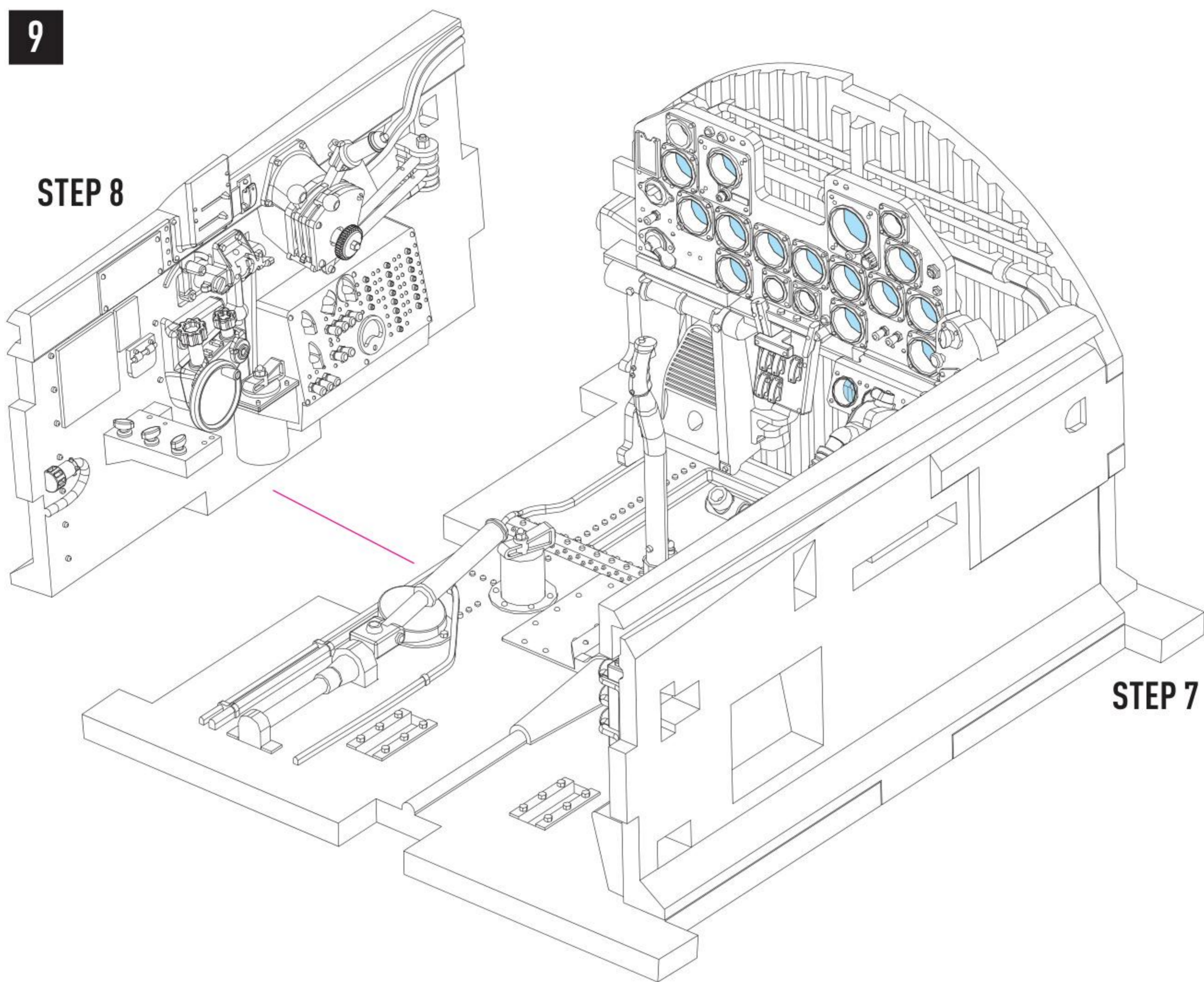
7



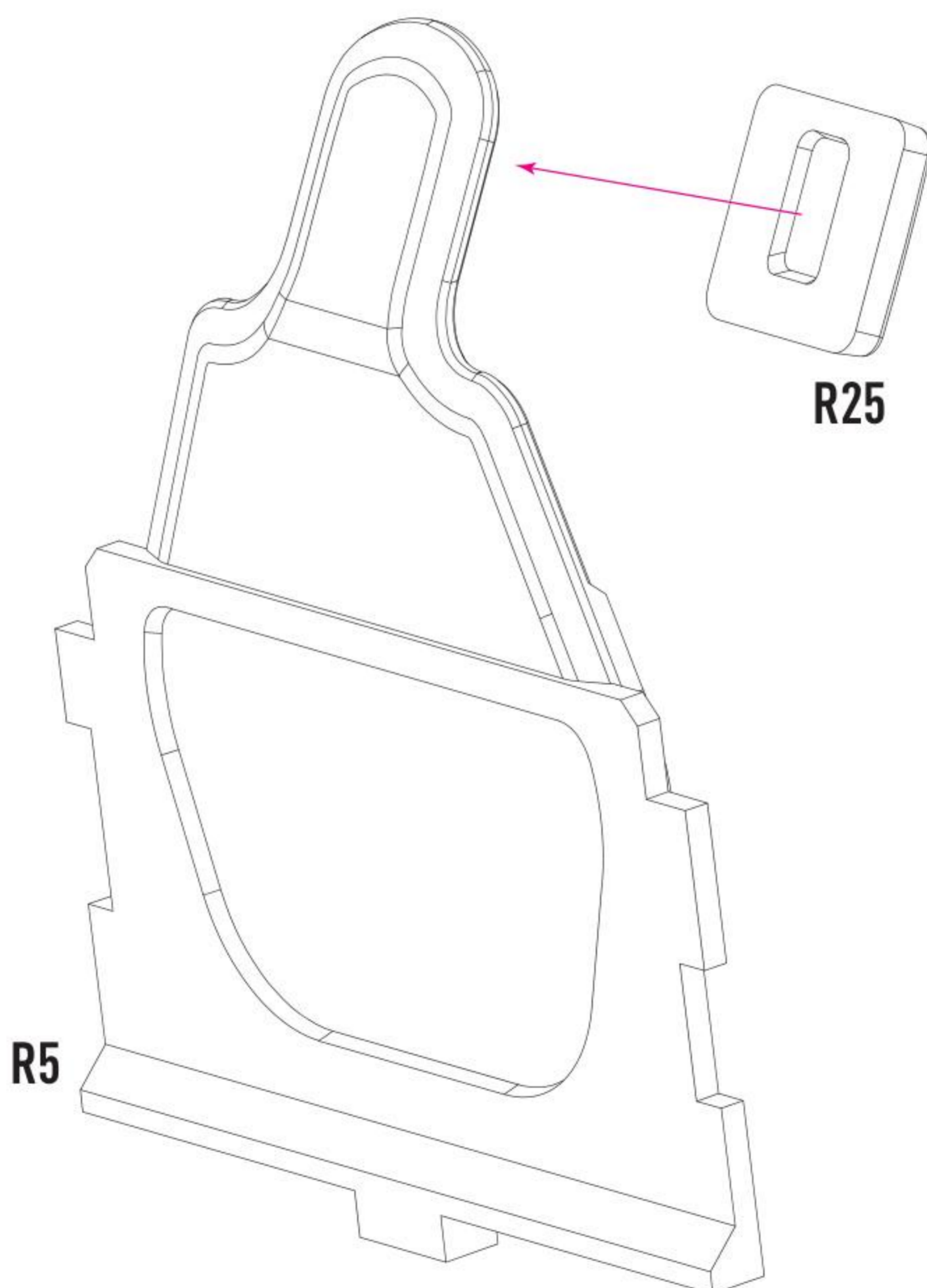
8



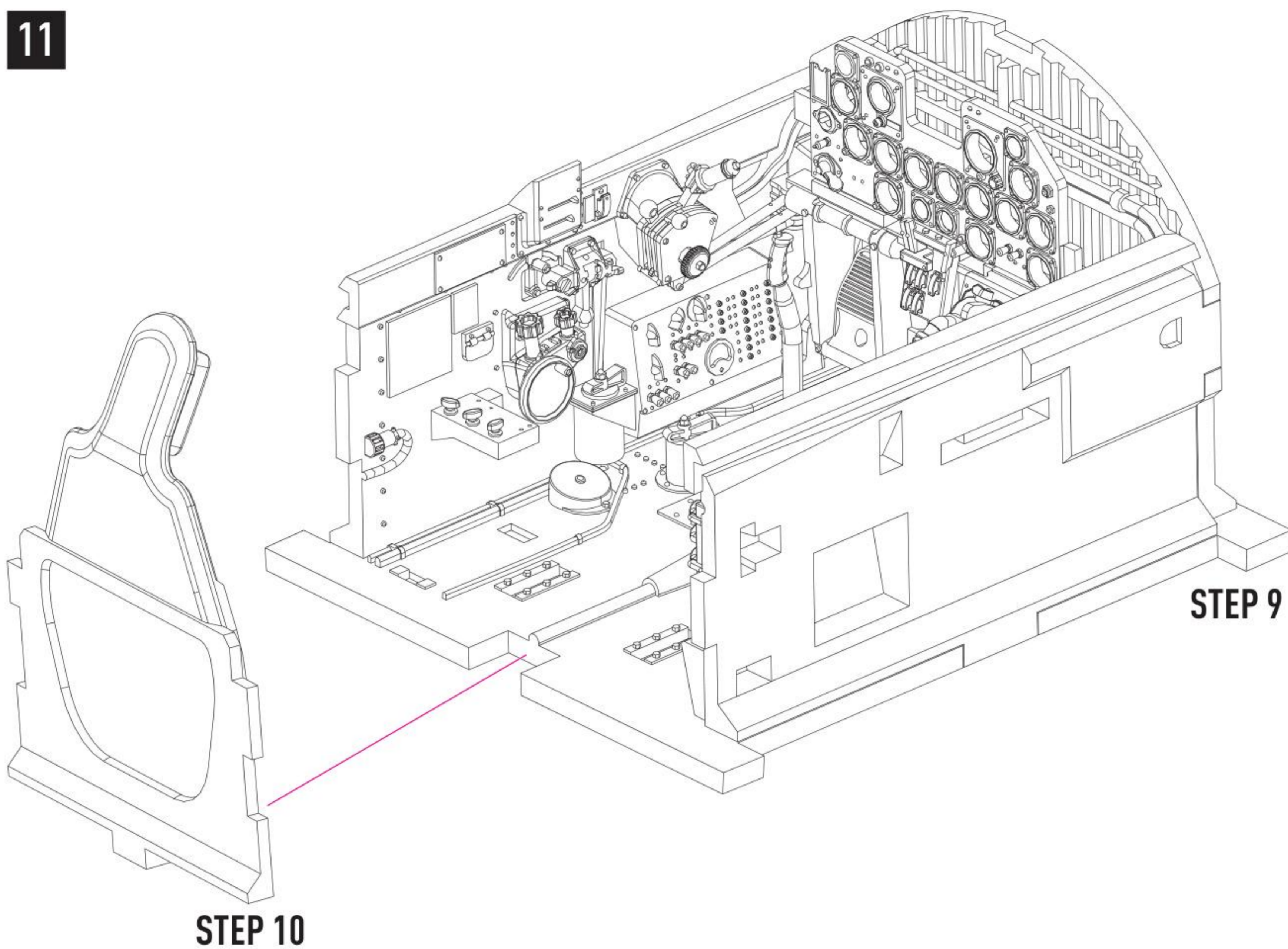
9



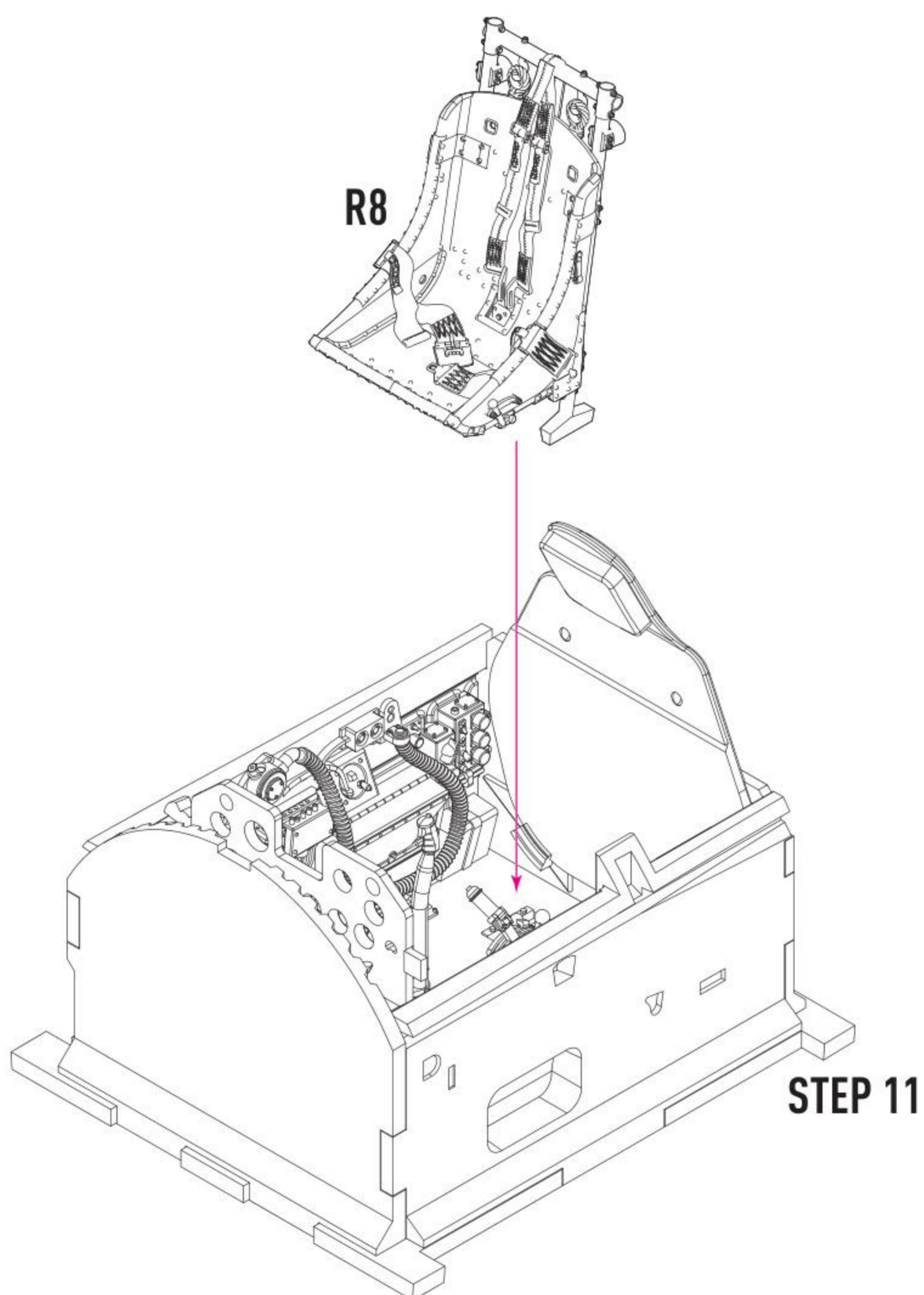
10



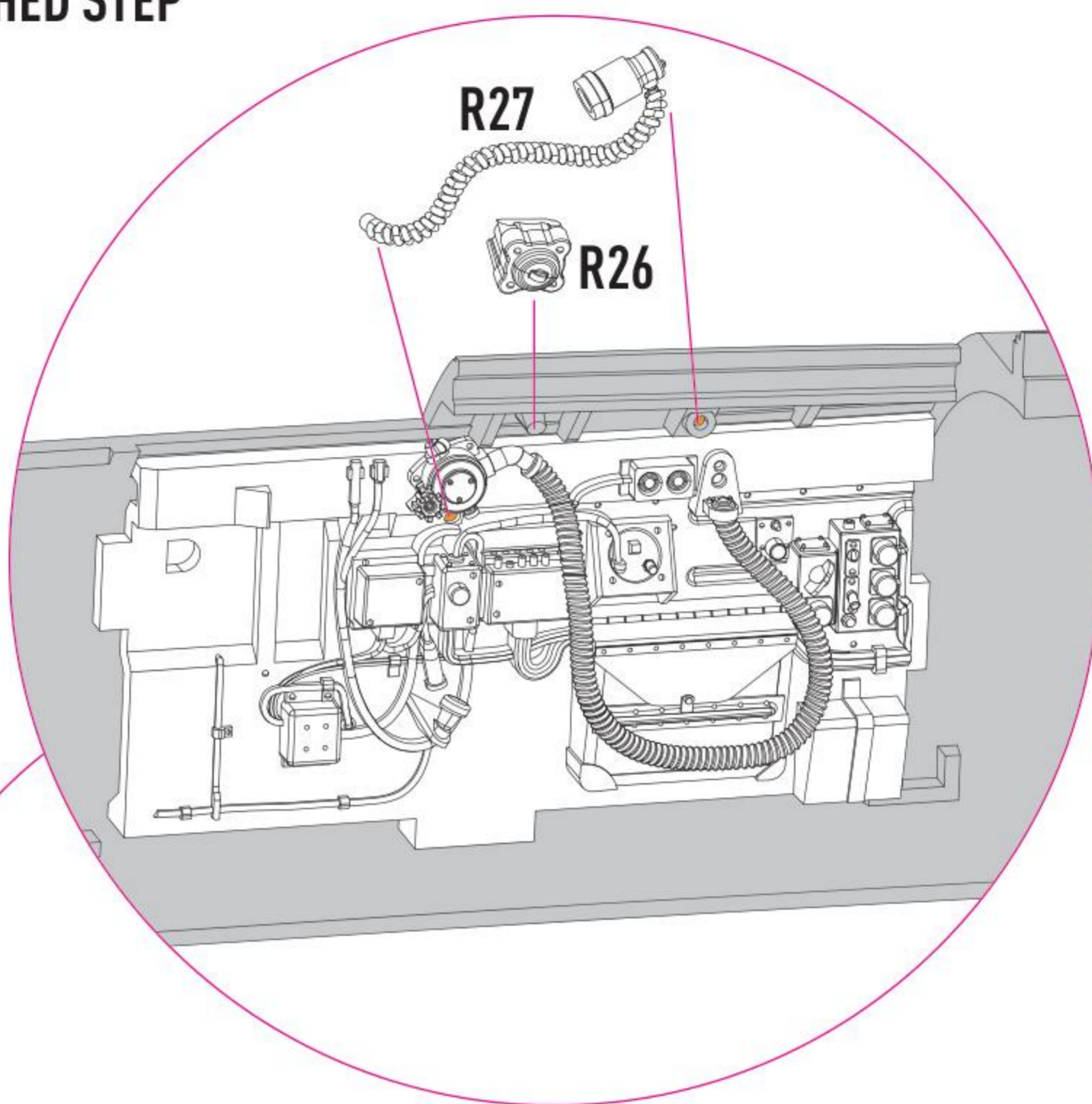
11



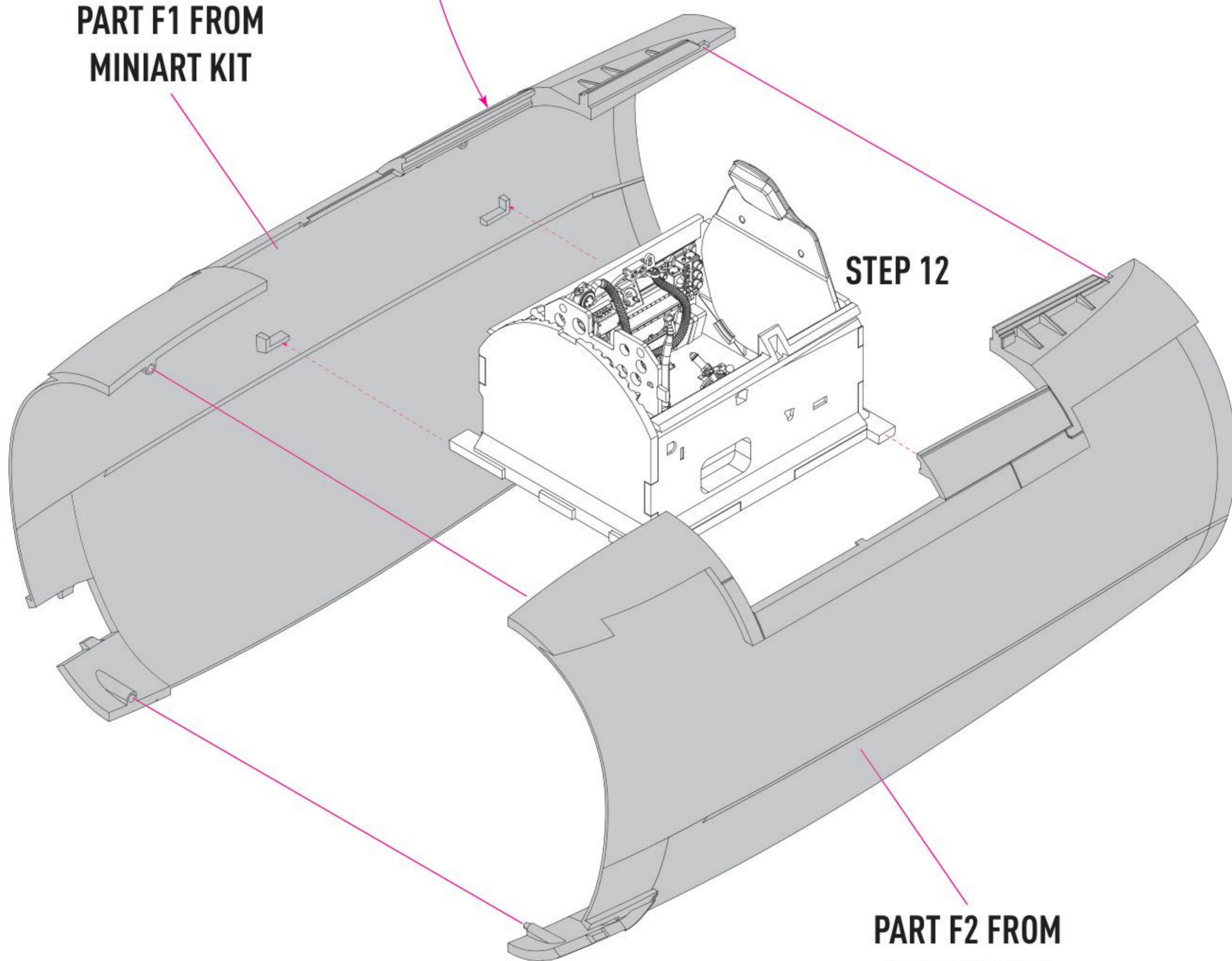
12



**13** AFTER ASSEMBLY THE PARTS ADD PARTS R26 AND R27 ON THE INNER SIDE OF THE FINISHED STEP



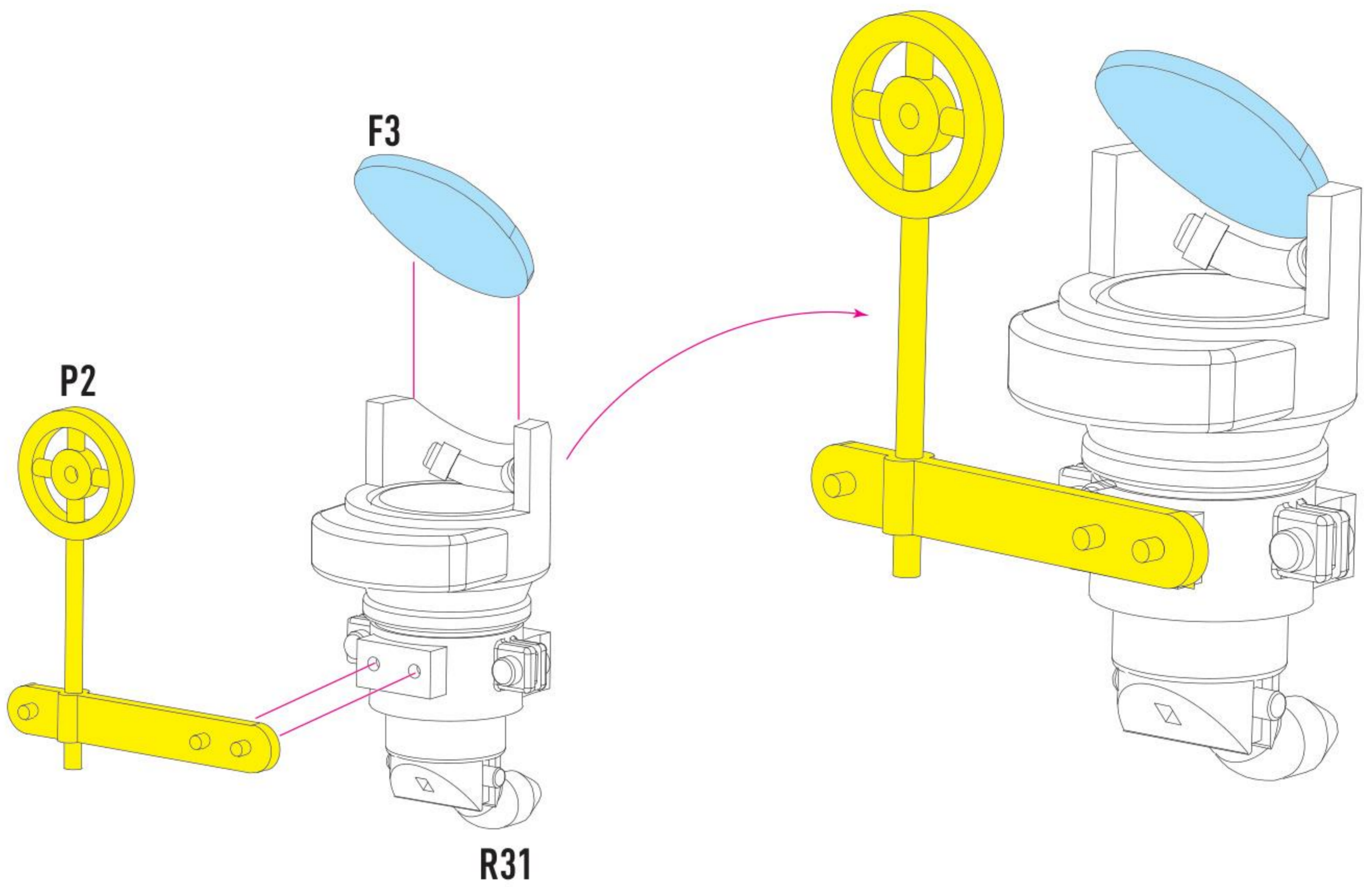
**PART F1 FROM  
MINIART KIT**



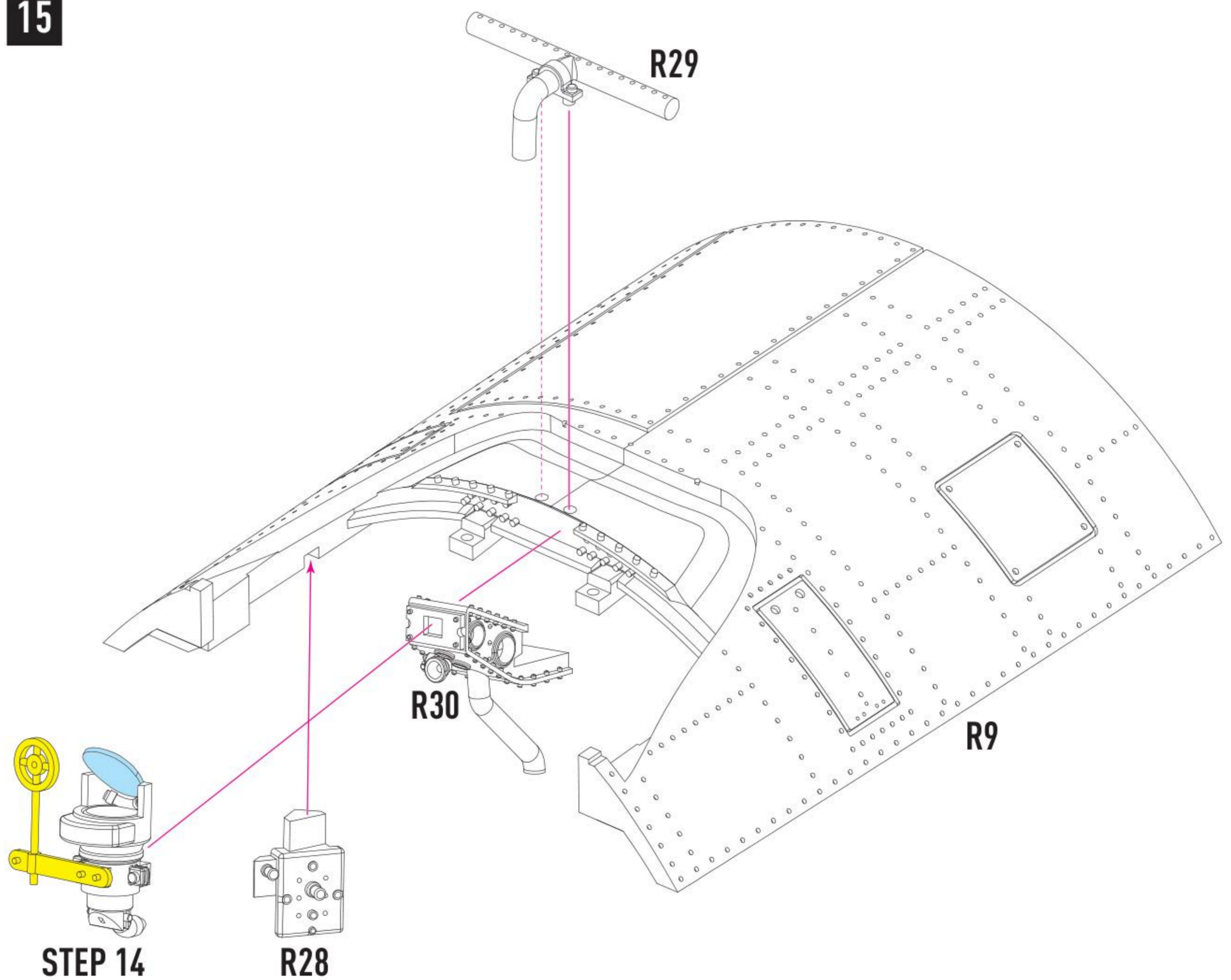
**STEP 12**

**PART F2 FROM  
MINIART KIT**

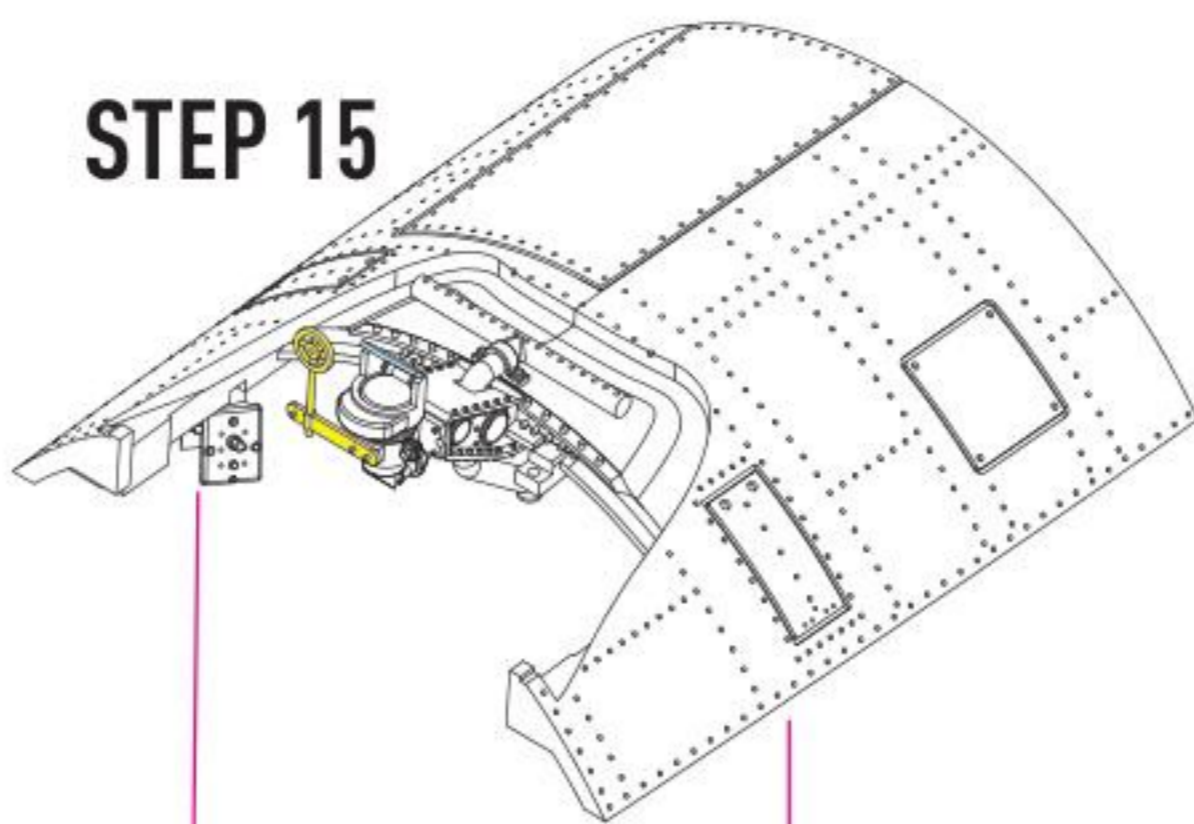
14



15



STEP 15



STEP 13

