

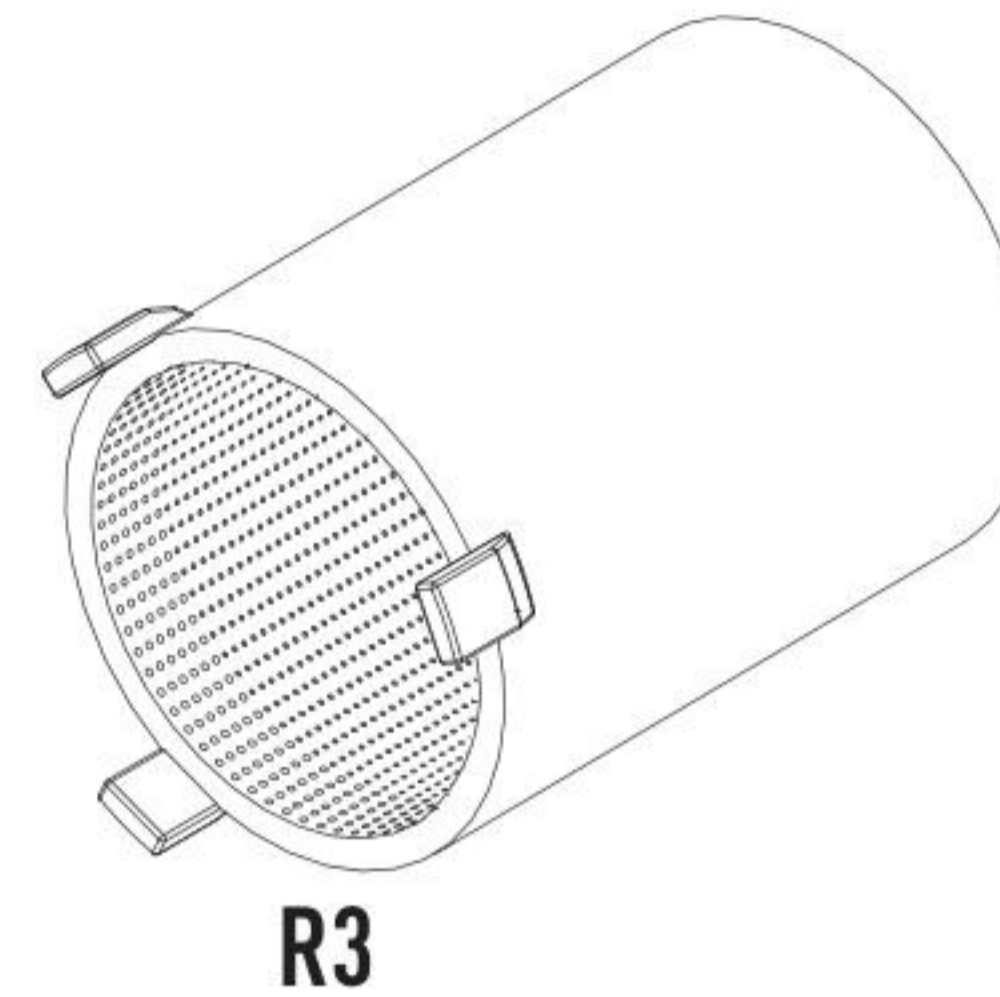
YOU CAN FIND INSTRUCTIONS
IN PDF FORMAT ON THE WEBSITE

RESKIT-MODELS.COM

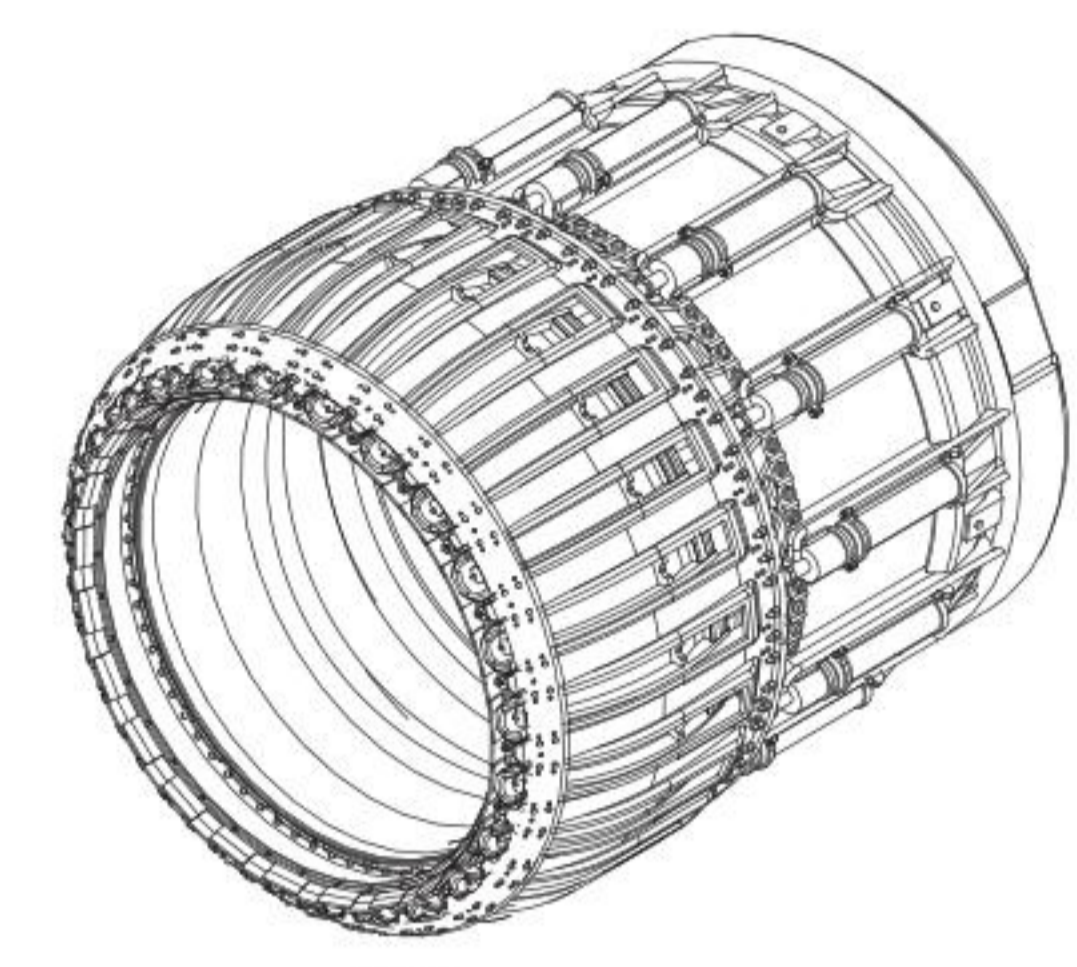
General Issues: info@reskit.com.ua
Wholesales: sales@reskit.com.ua
Claim Resolution: claims@reskit.com.ua

USE A SAW TO REMOVE SUPPORTS FROM 3D PRINTED PARTS

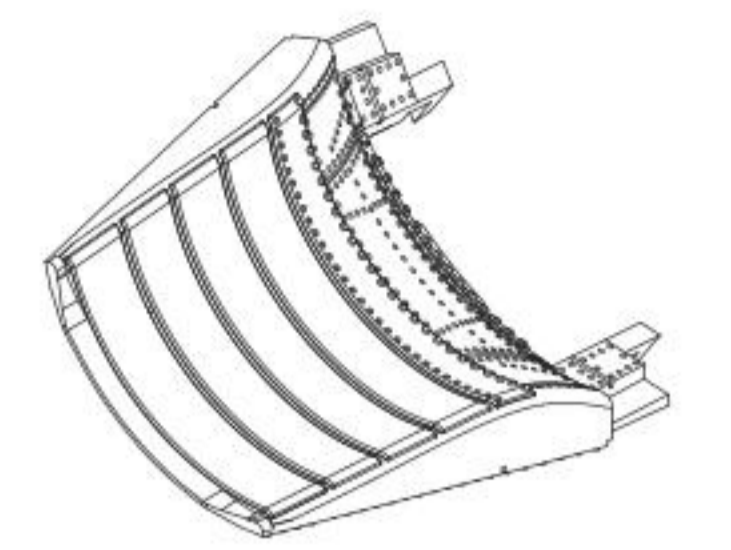
DETAILS AFTER REMOVAL FROM SUPPORTS



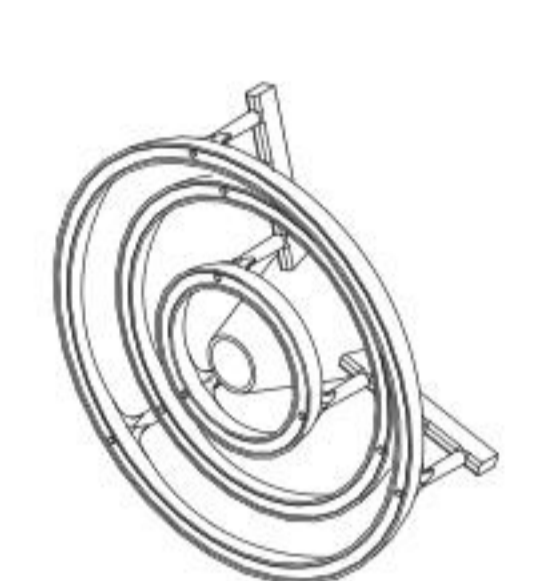
R3



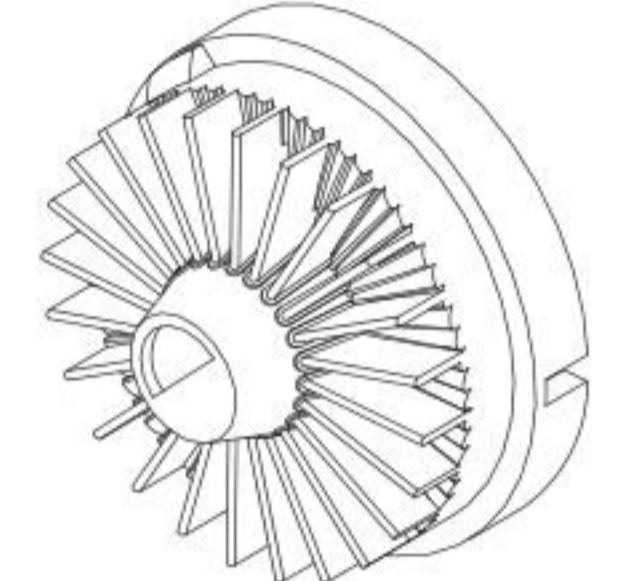
R4



R5 x4

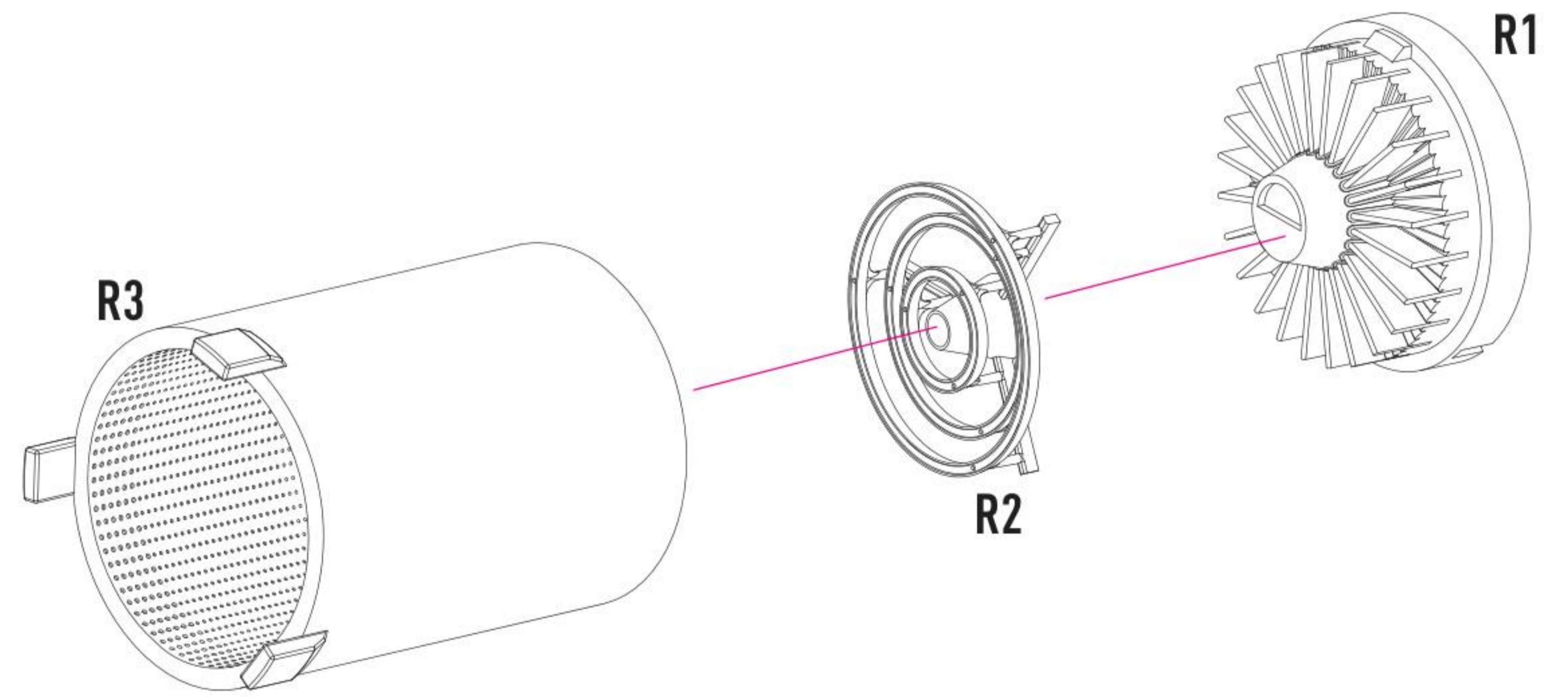


R2

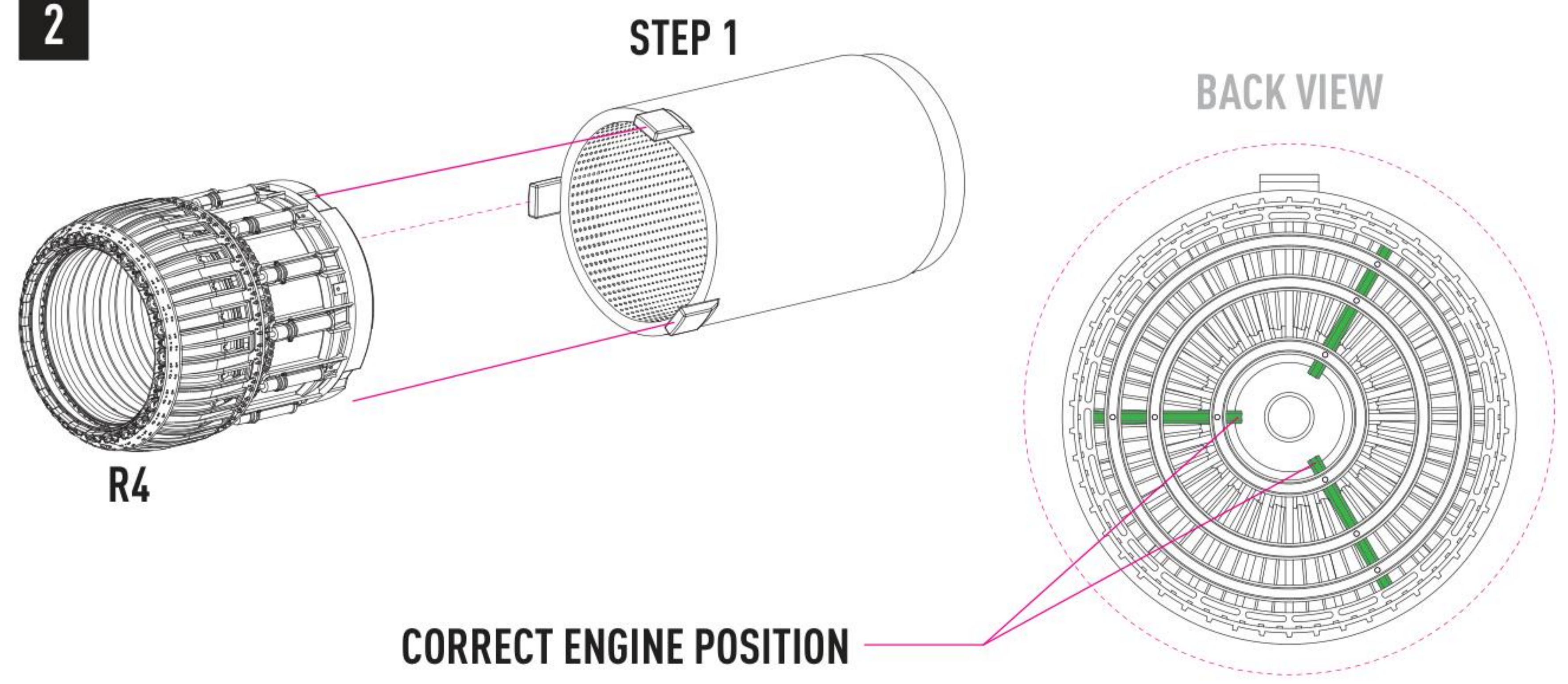


R1

1

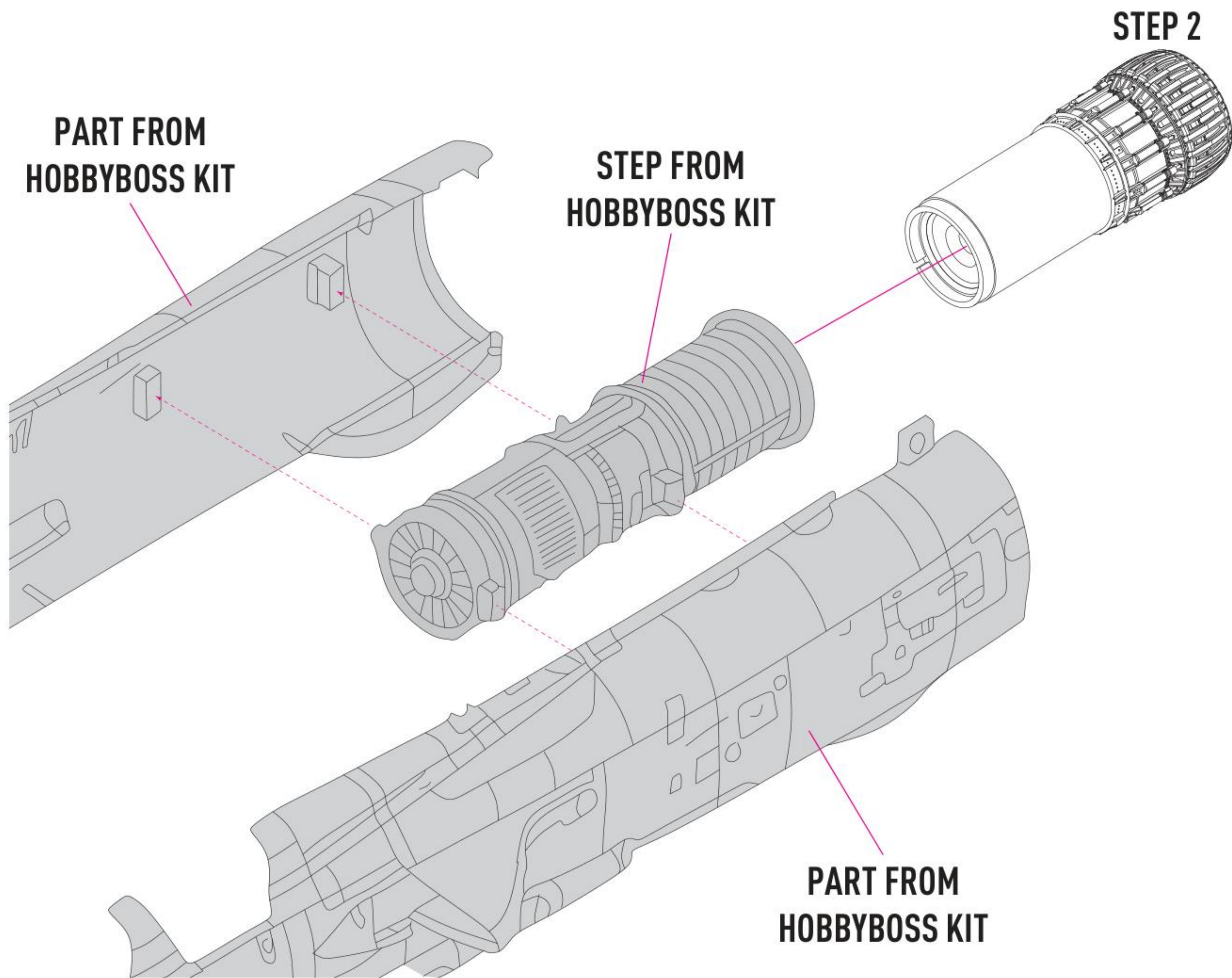


2

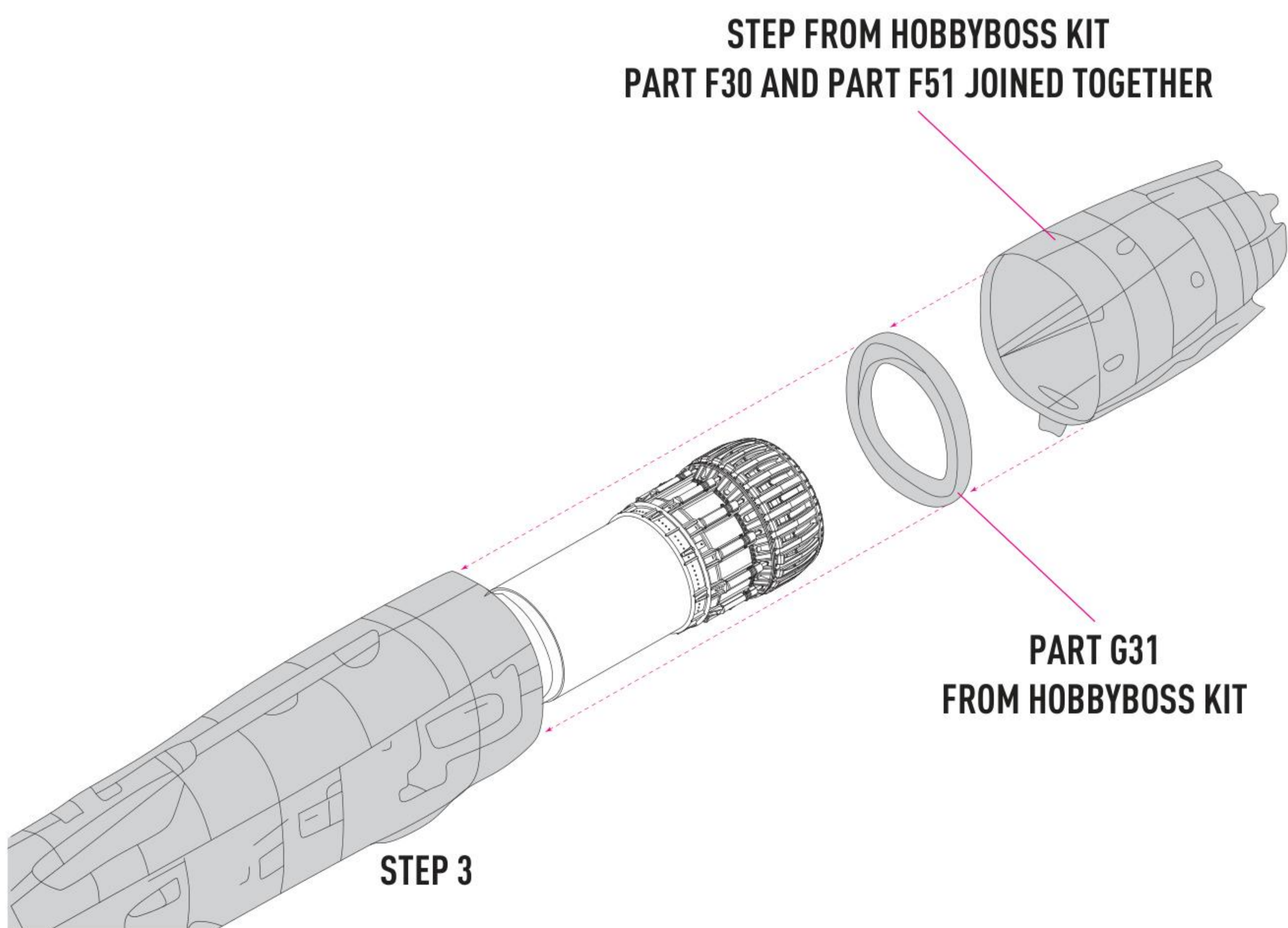


CORRECT ENGINE POSITION

3 STEP 3 FROM F-105 HOBBYBOSS KIT

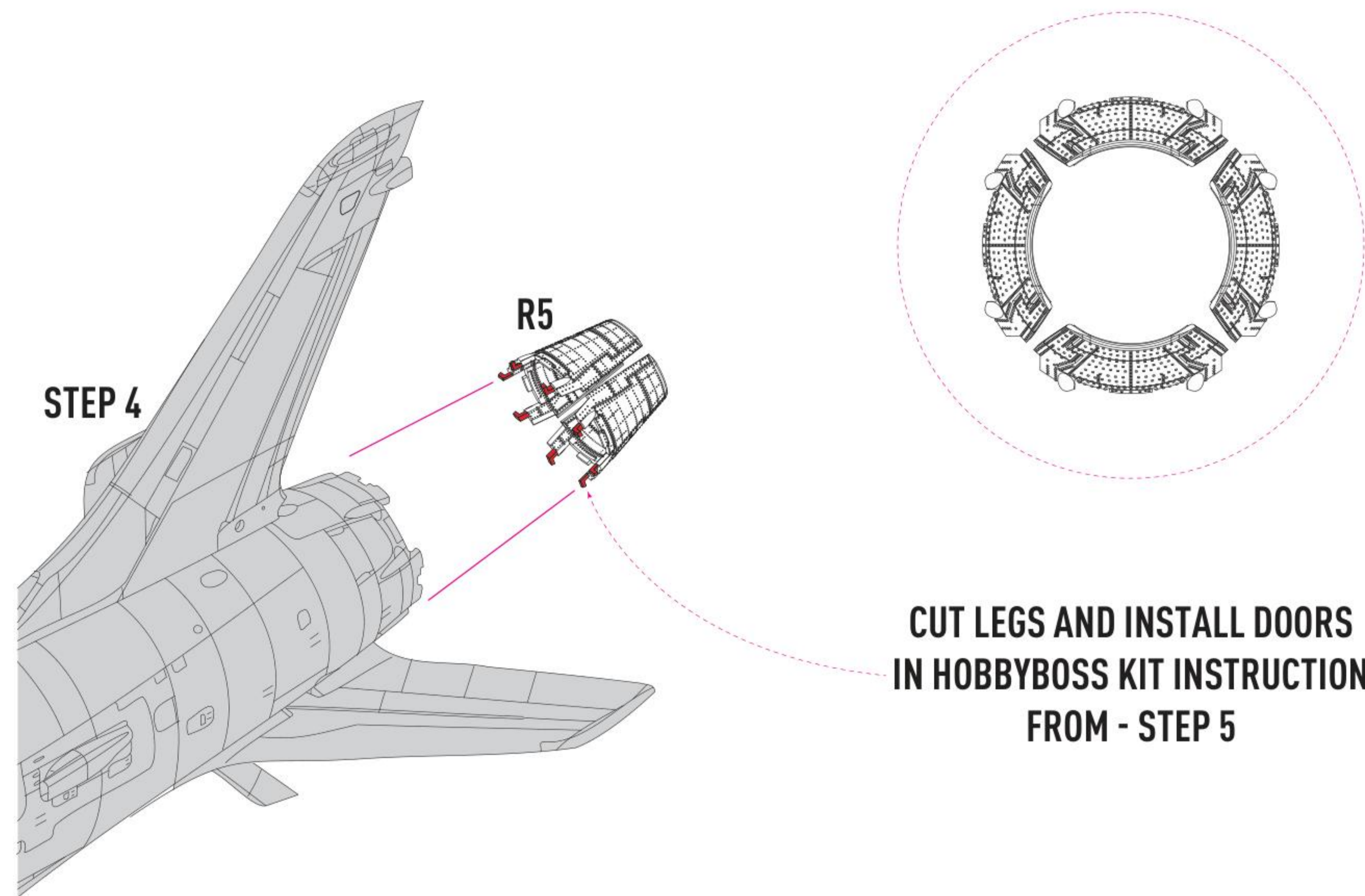


4



5 V1

CLOSED OUTER NOZZLE FLAPS



5 V2

OPEN OUTER NOZZLE FLAPS

