

YOU CAN FIND INSTRUCTIONS  
IN PDF FORMAT ON THE WEBSITE

**RESKIT-MODELS.COM**

General Issues: [info@reskit.com.ua](mailto:info@reskit.com.ua)  
Wholesales: [sales@reskit.com.ua](mailto:sales@reskit.com.ua)  
Claim Resolution: [claims@reskit.com.ua](mailto:claims@reskit.com.ua)



**F-4 PHANTOM II**

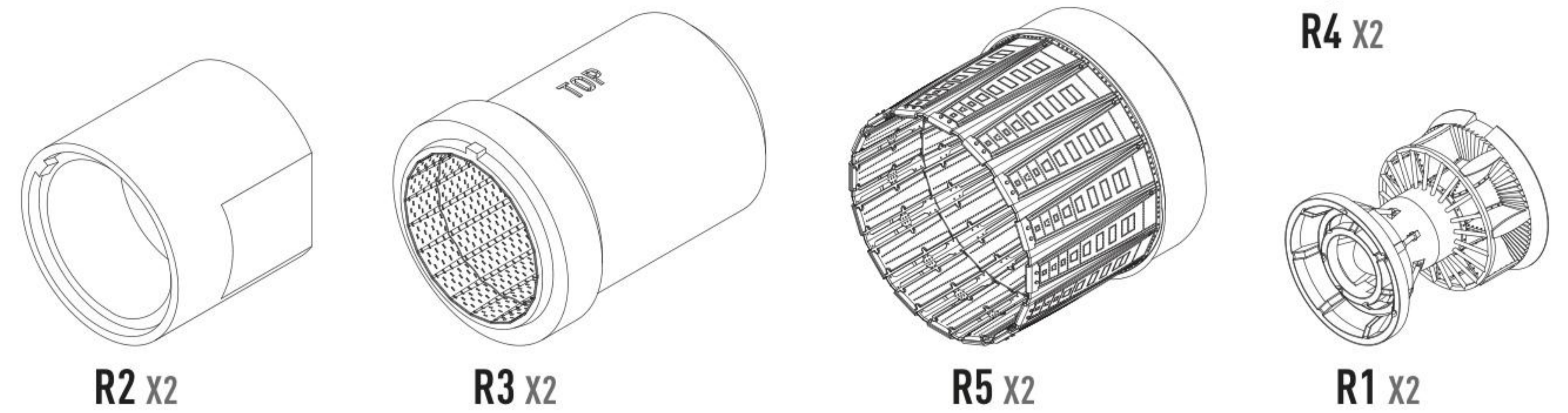
It is one of the most iconic fighter jets ever produced, which has seen action all over the world. Even today, some continue to fly, almost 70 years after it's first flight. This massive book counts close to 500 photos in 196 pages.

MORE DETAILED PHOTOS FOR BUILDING THE MODEL CAN BE FOUND IN THE BOOK DUKE HAWKINS

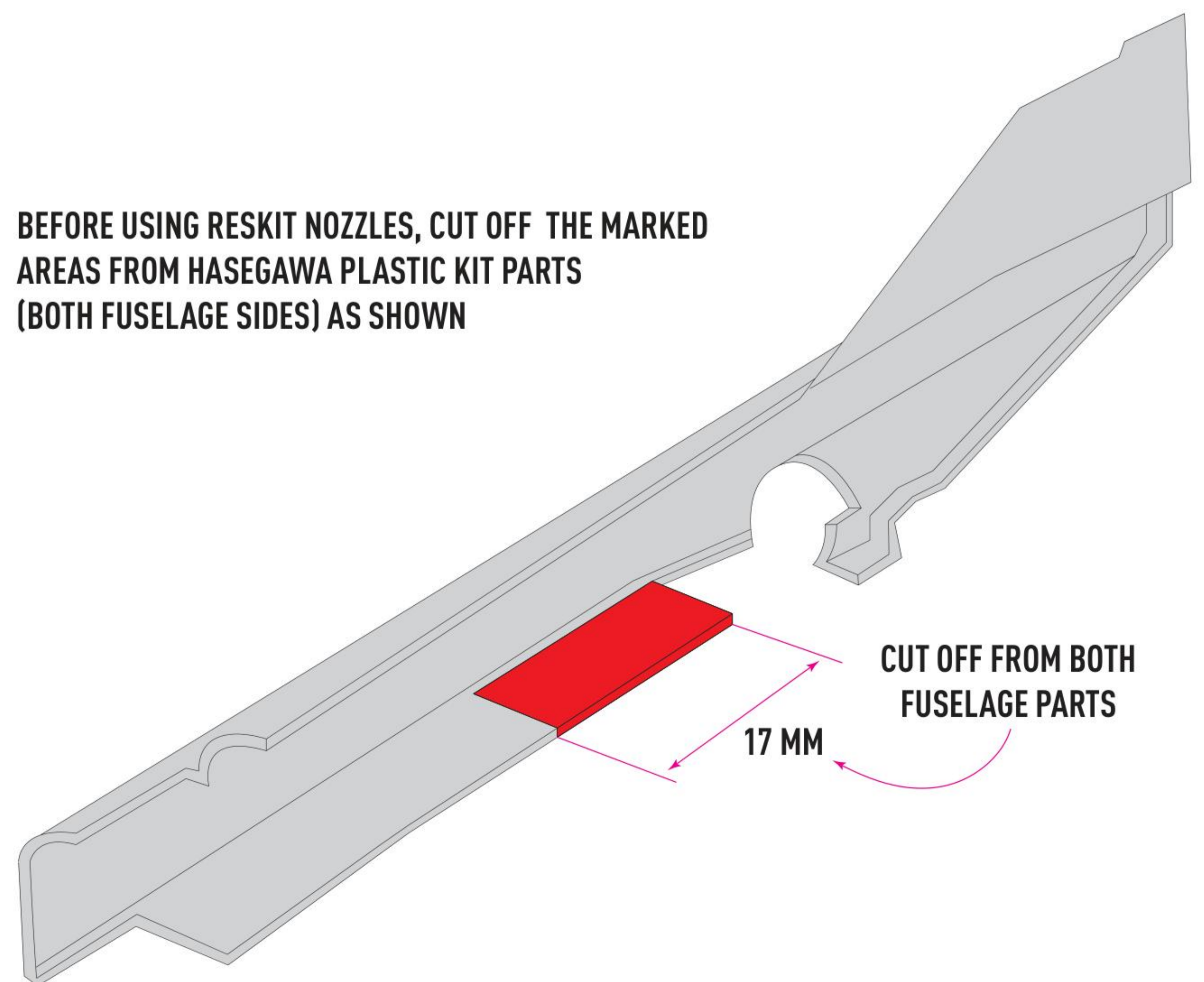
[DUKEHAWKINS.COM](http://DUKEHAWKINS.COM)

USE A SAW TO REMOVE SUPPORTS  
FROM 3D PRINTED PARTS

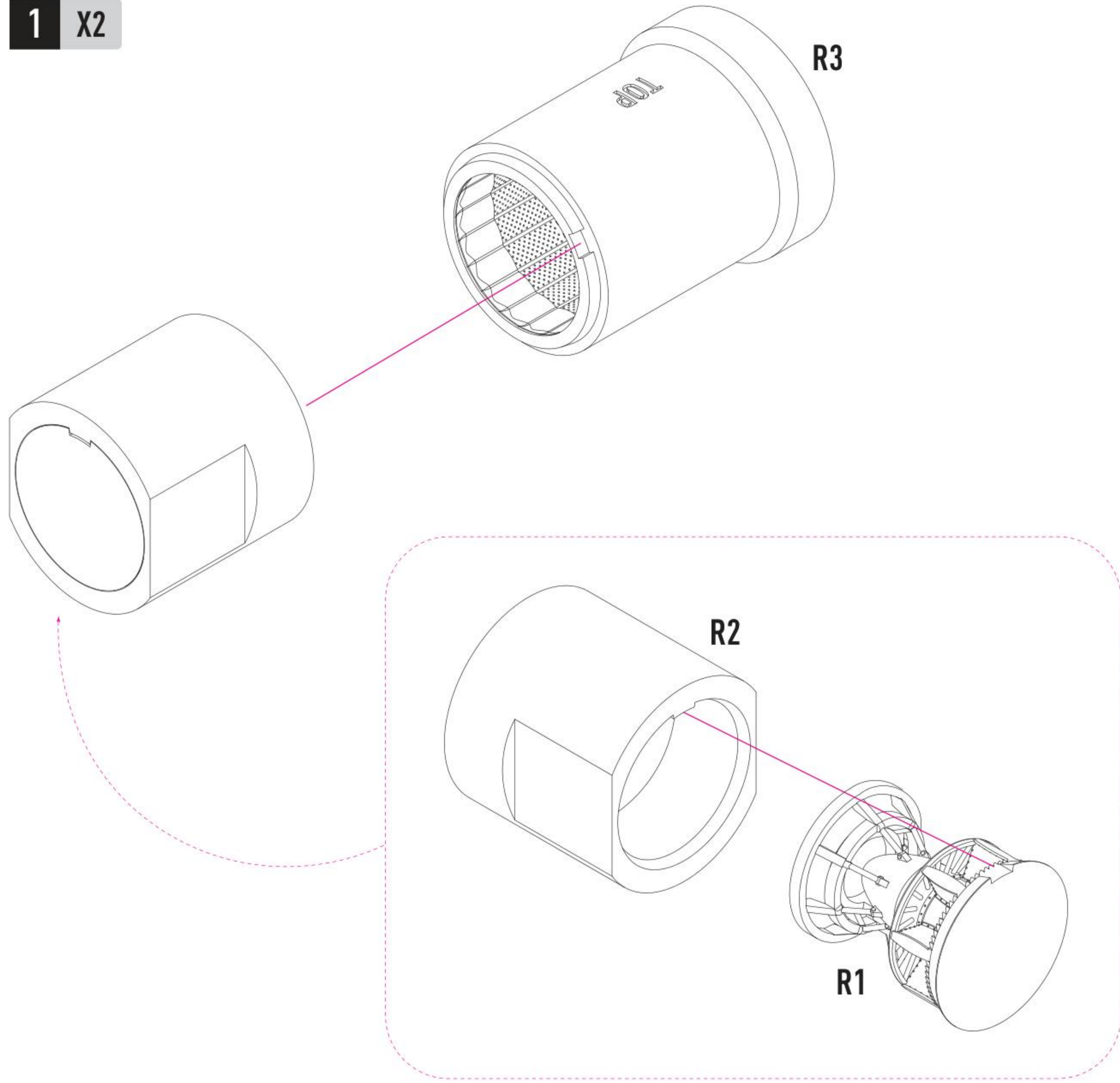
DETAILS AFTER REMOVAL  
FROM SUPPORTS



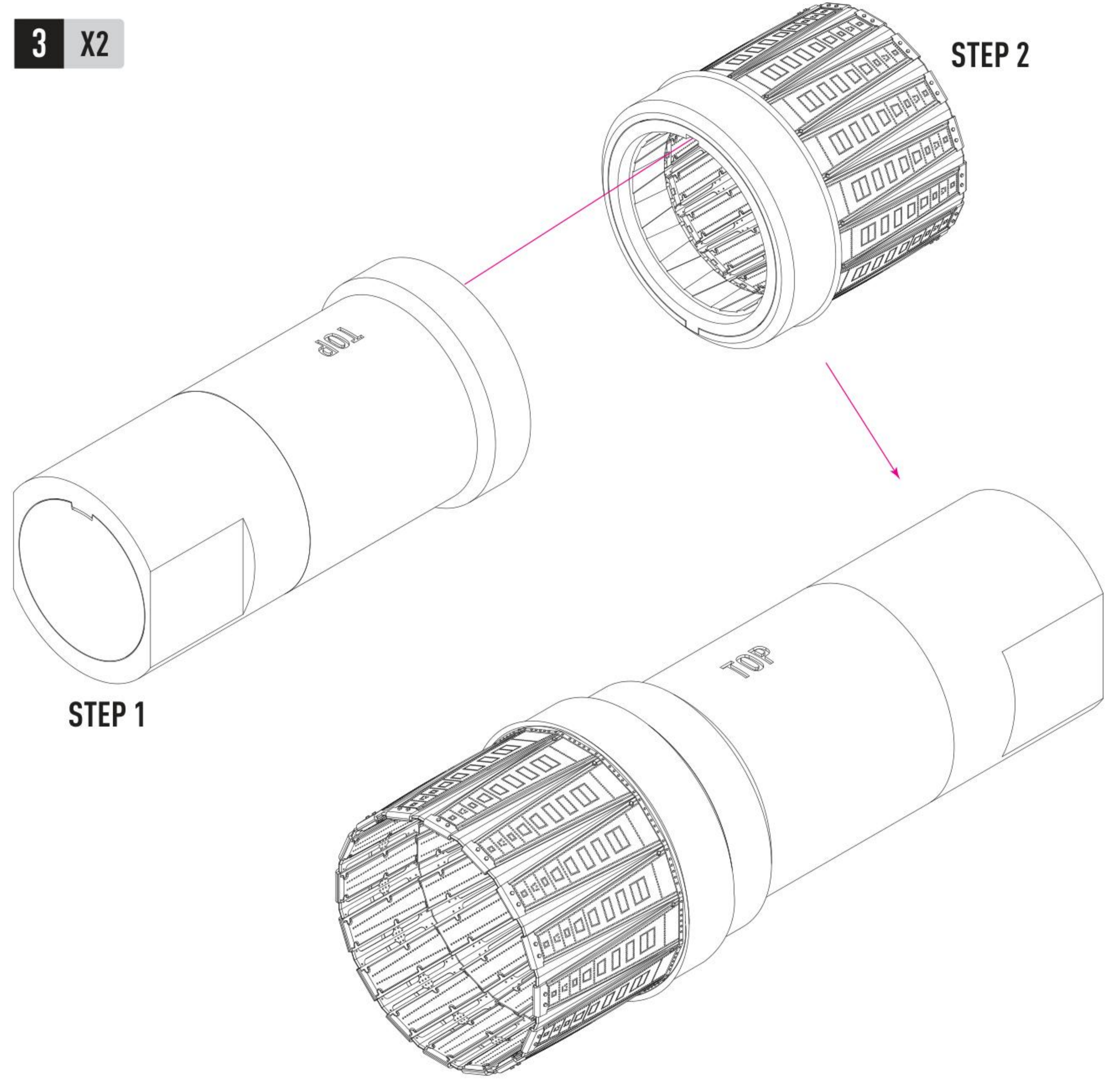
BEFORE USING RESKIT NOZZLES, CUT OFF THE MARKED  
AREAS FROM HASEGAWA PLASTIC KIT PARTS  
(BOTH FUSELAGE SIDES) AS SHOWN



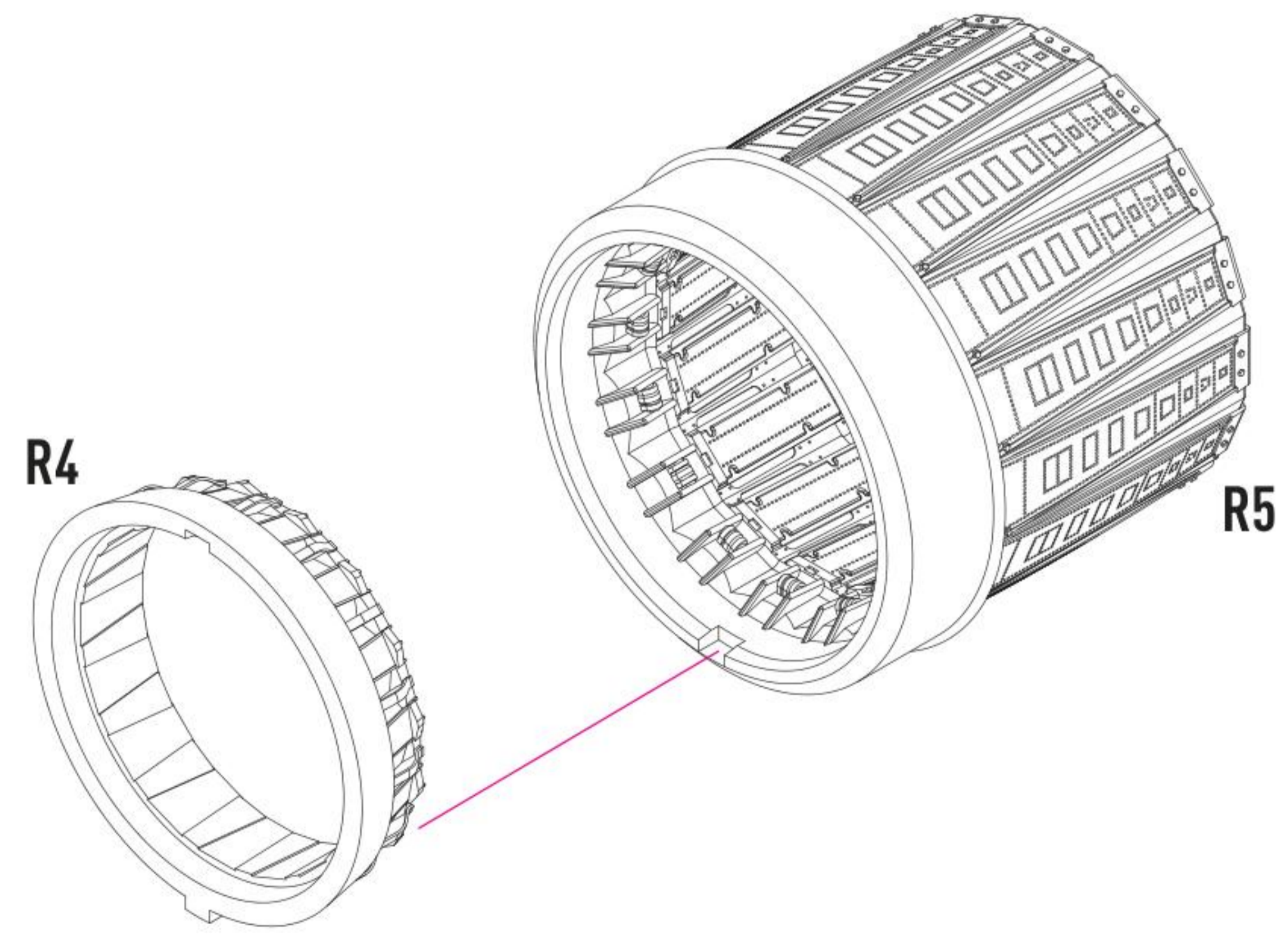
1 X2



3 X2



2 X2



FOR PROPER NOZZLE ORIENTATION  
USE THIS ELEMENT IT HAS TO BE  
POSITIONED VERTICALLY DOWN

