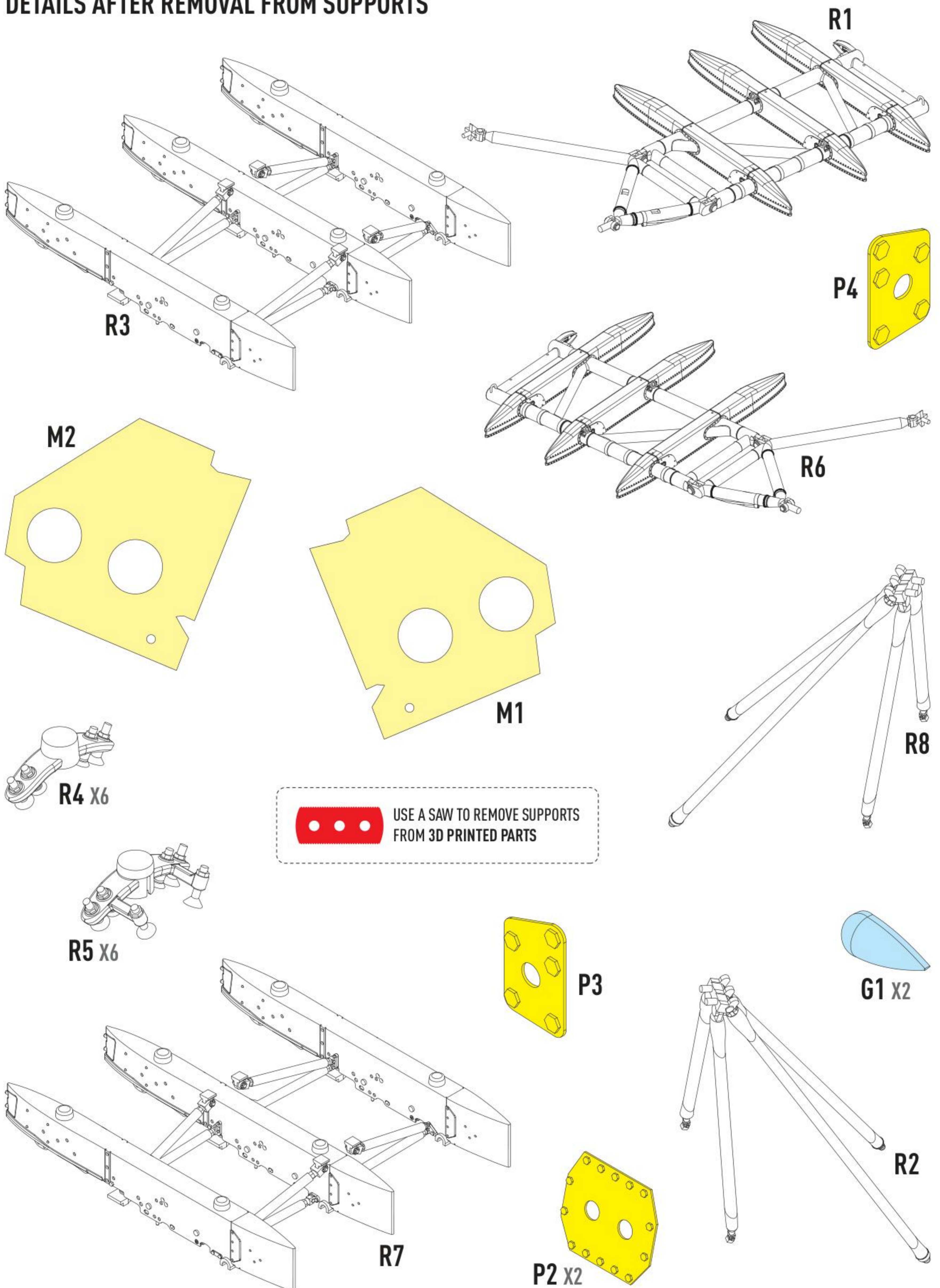
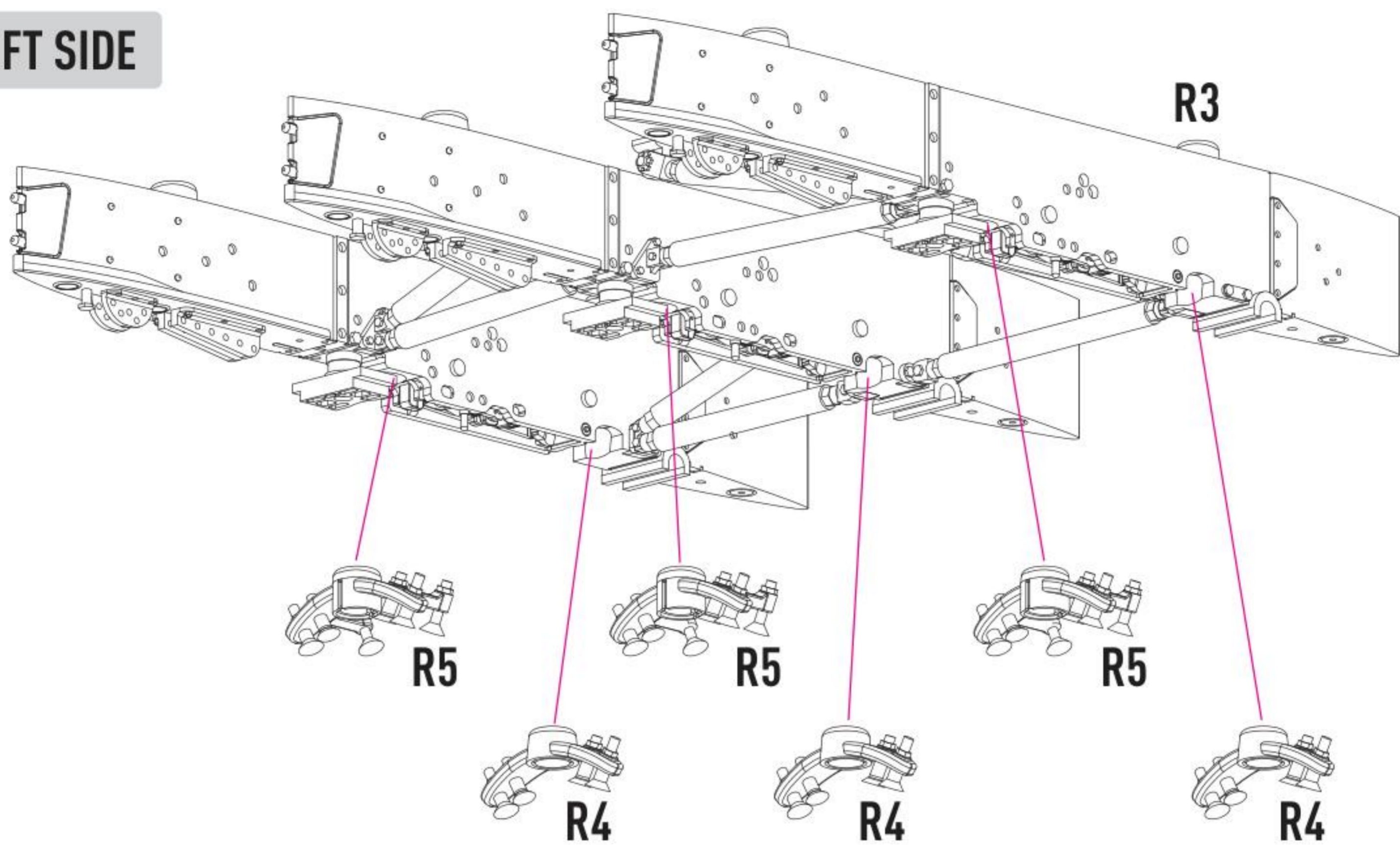


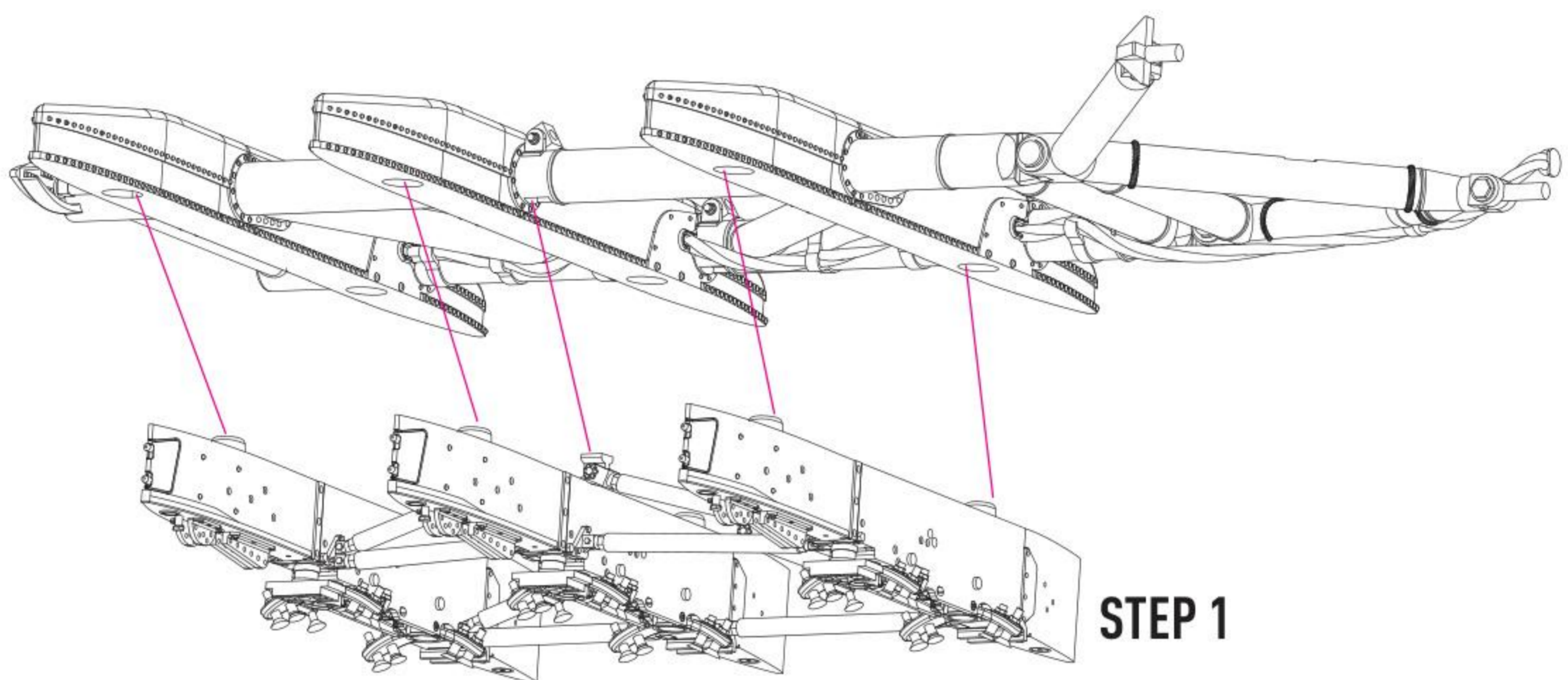
DETAILS AFTER REMOVAL FROM SUPPORTS



1 LEFT SIDE

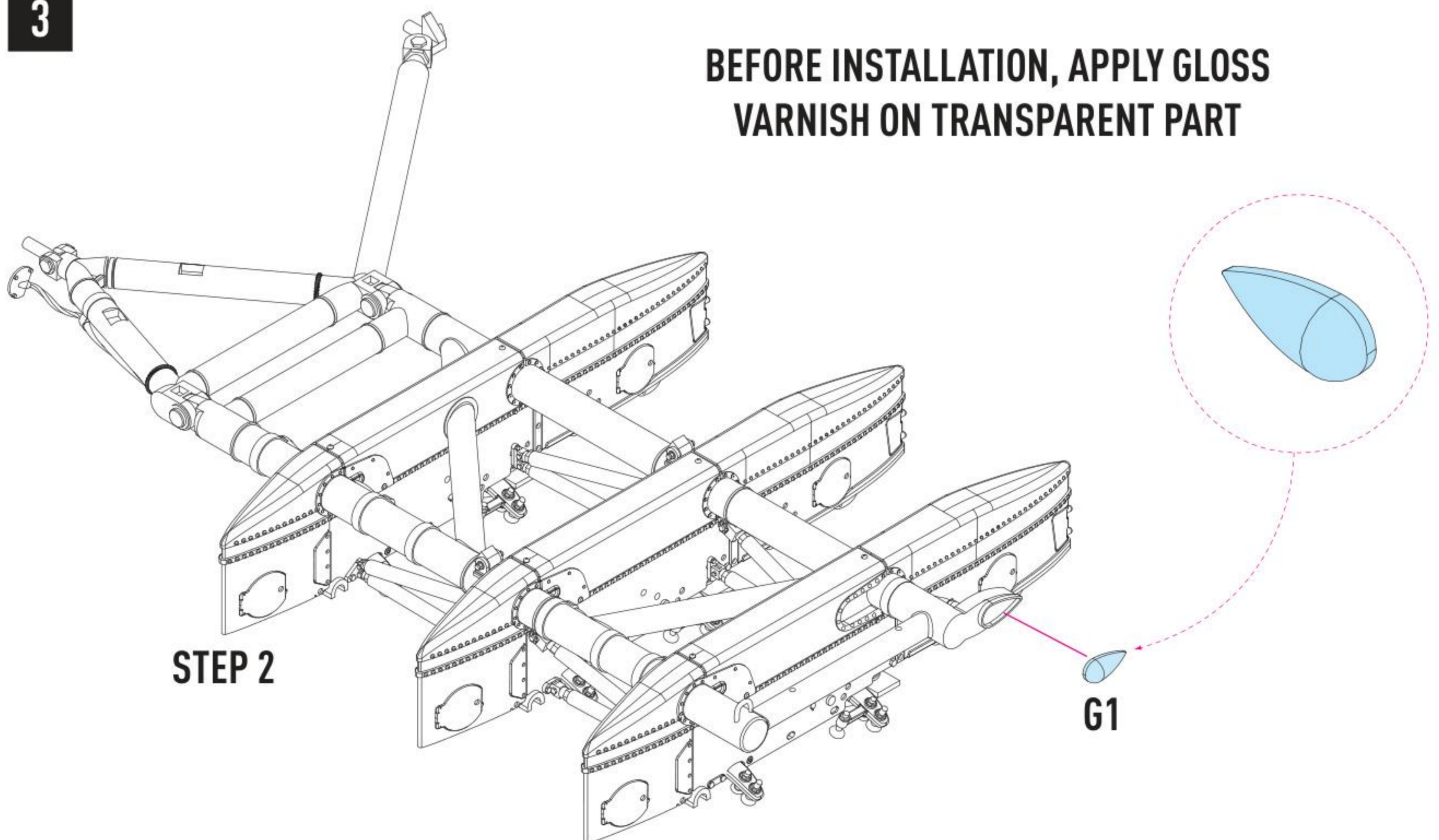


2

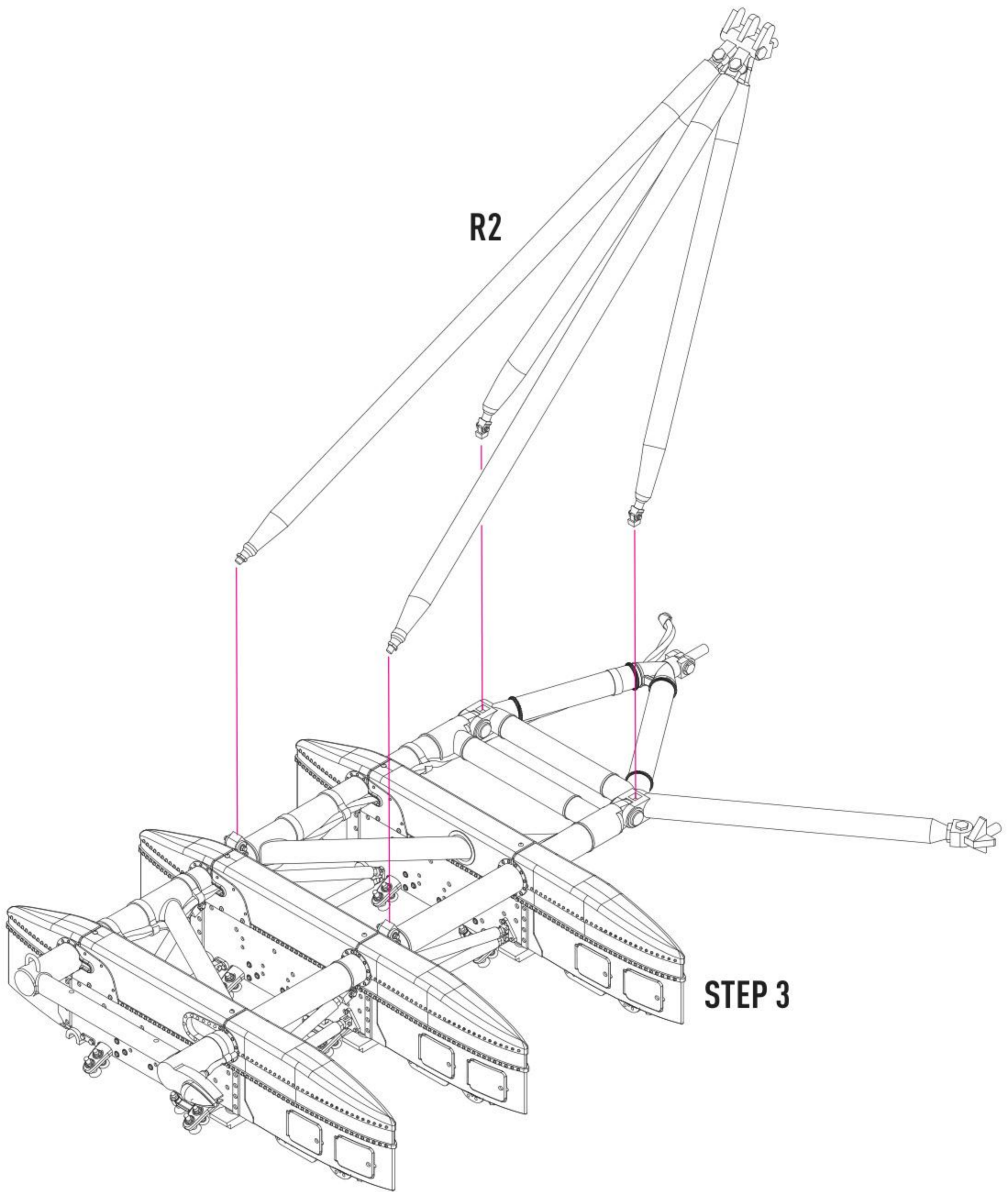


3

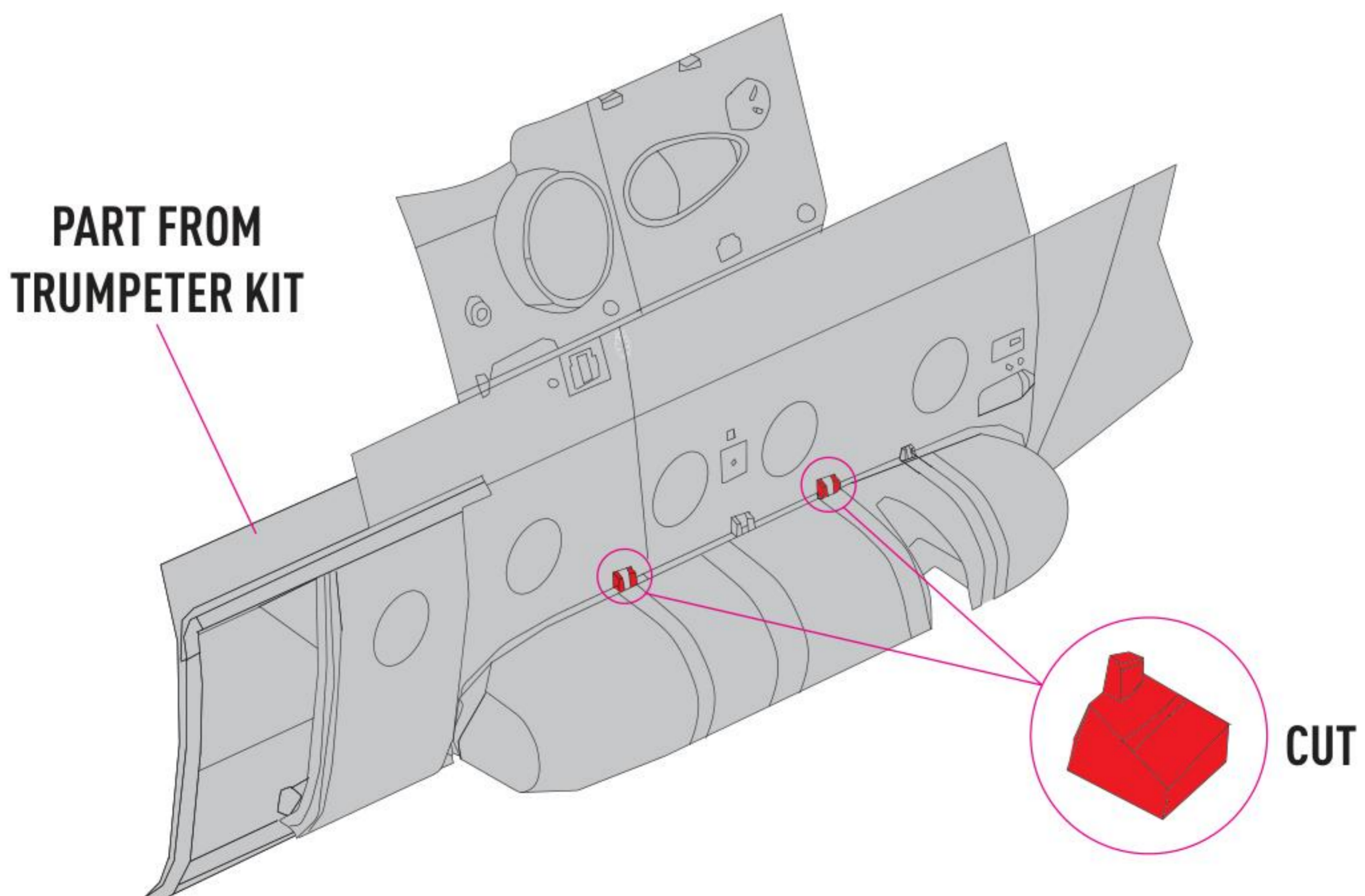
BEFORE INSTALLATION, APPLY GLOSS VARNISH ON TRANSPARENT PART



4



5

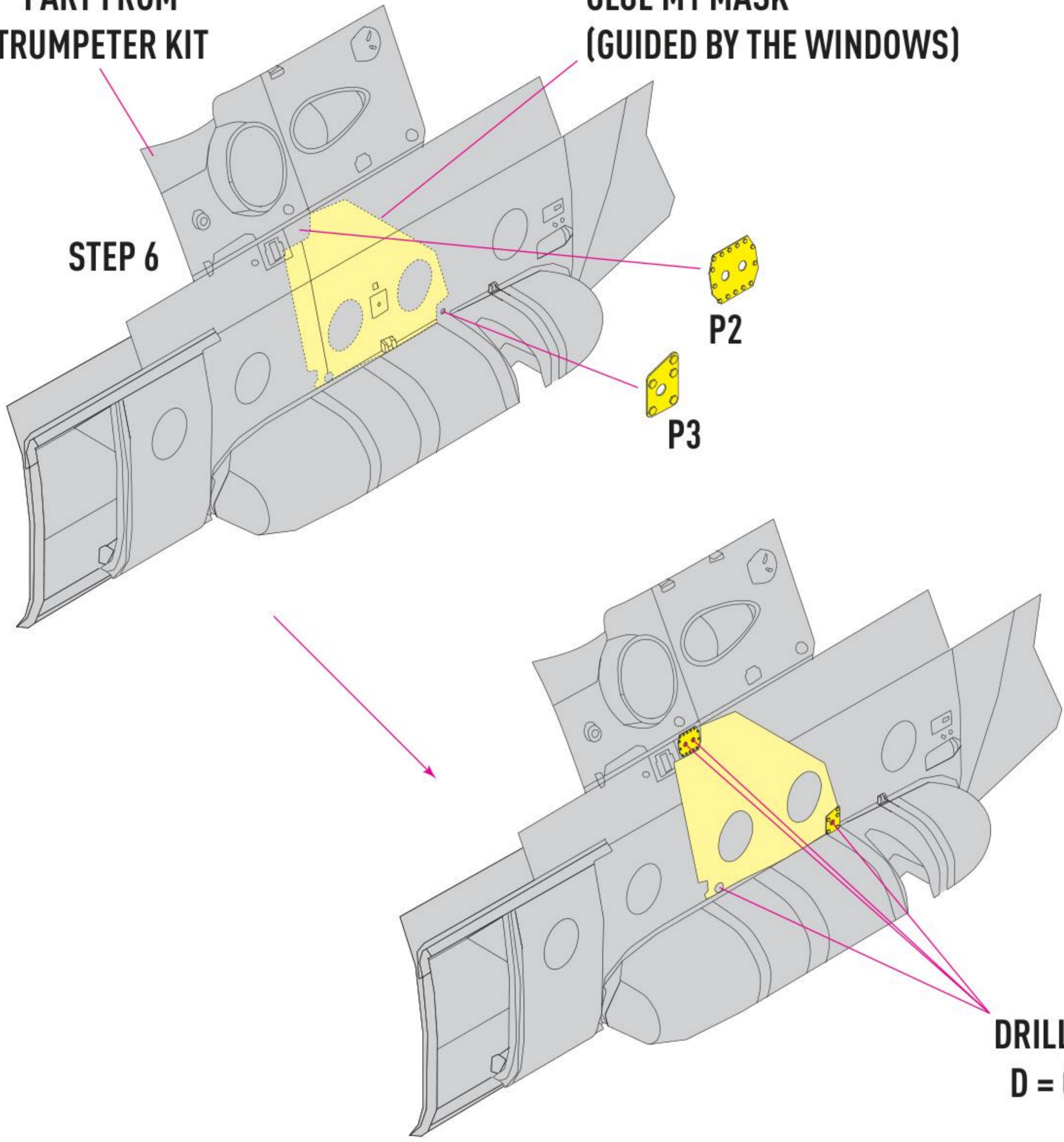


6

PART FROM TRUMPETER KIT

GLUE M1 MASK (GUIDED BY THE WINDOWS)

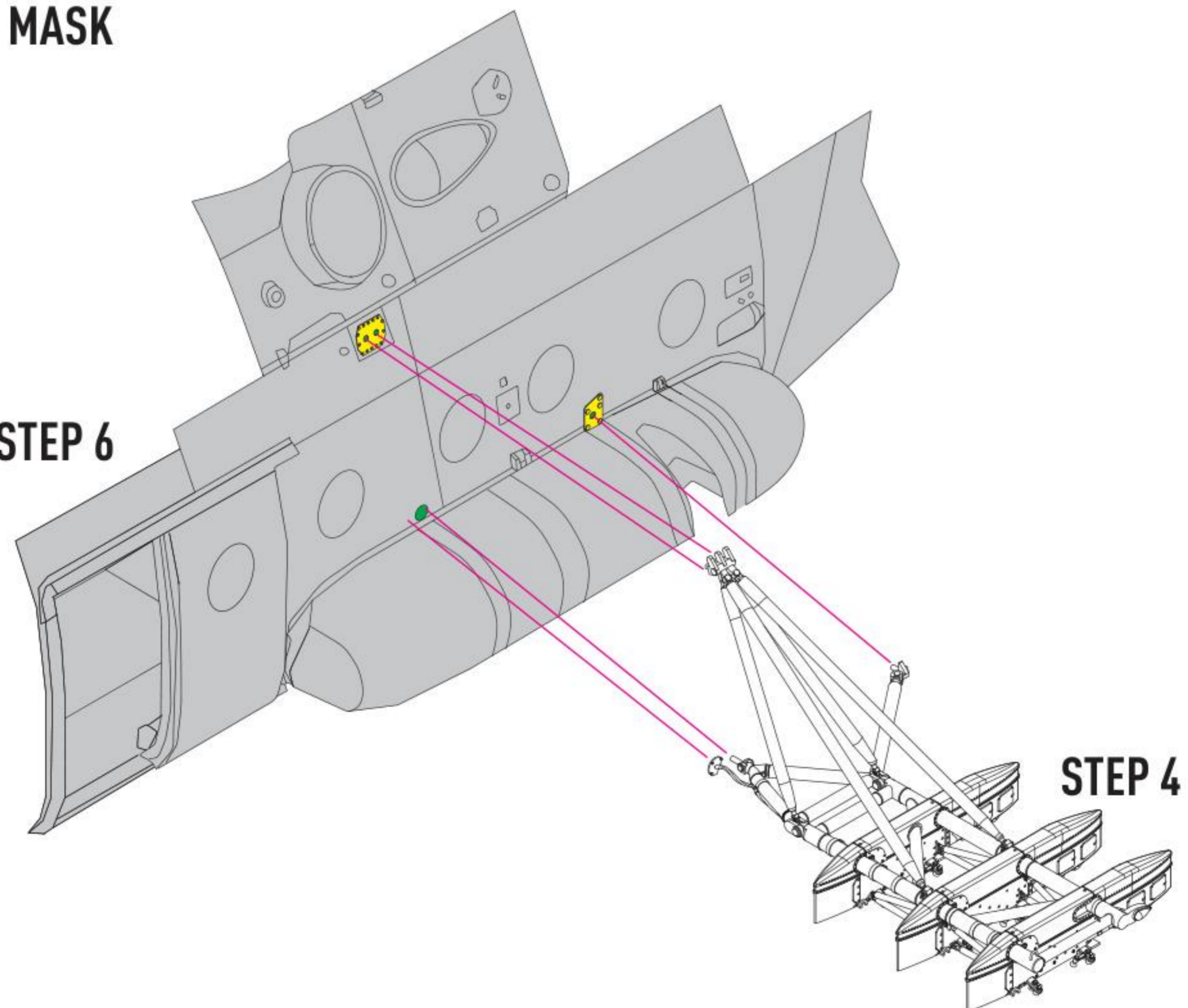
STEP 6



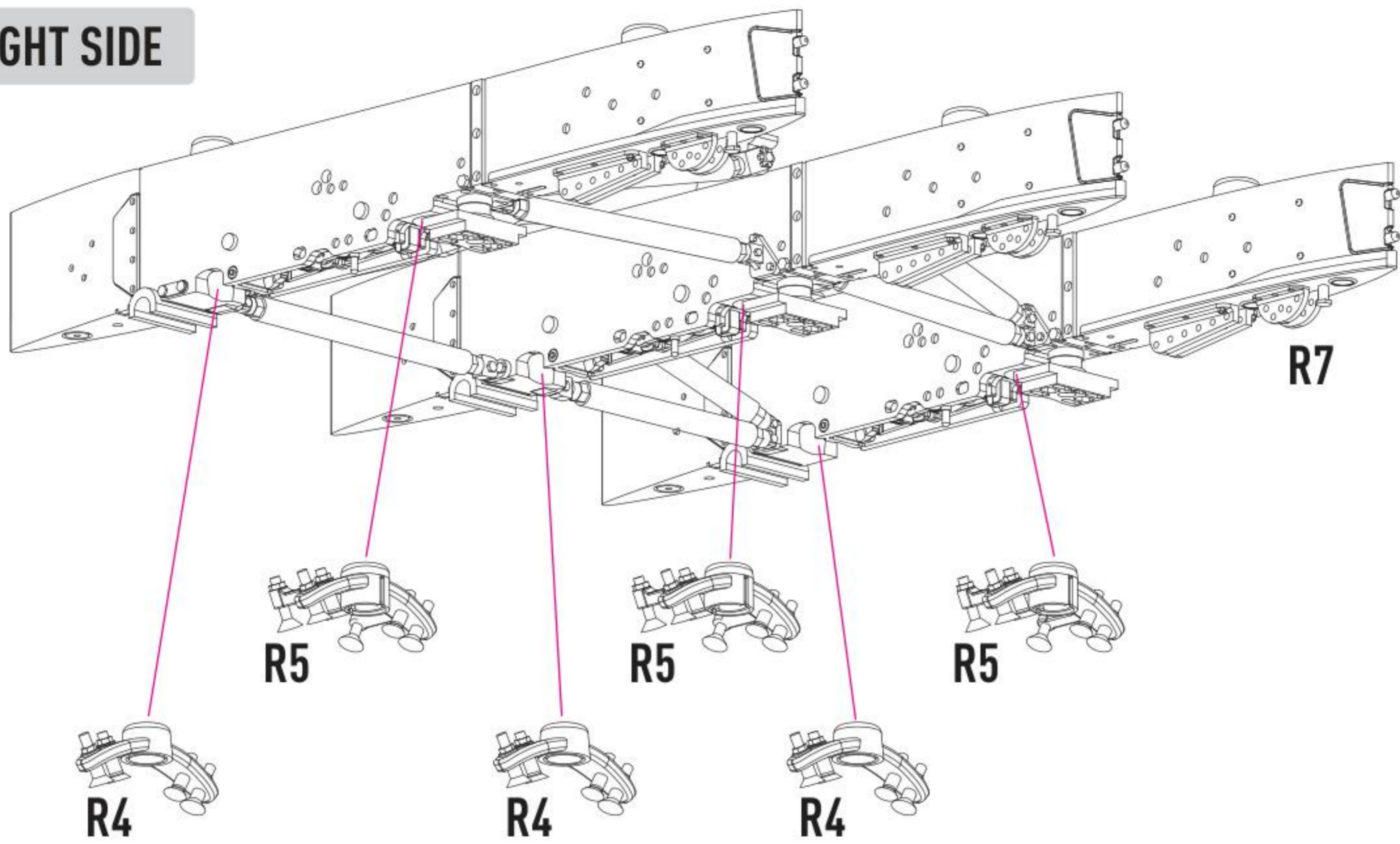
7

REMOVE MASK

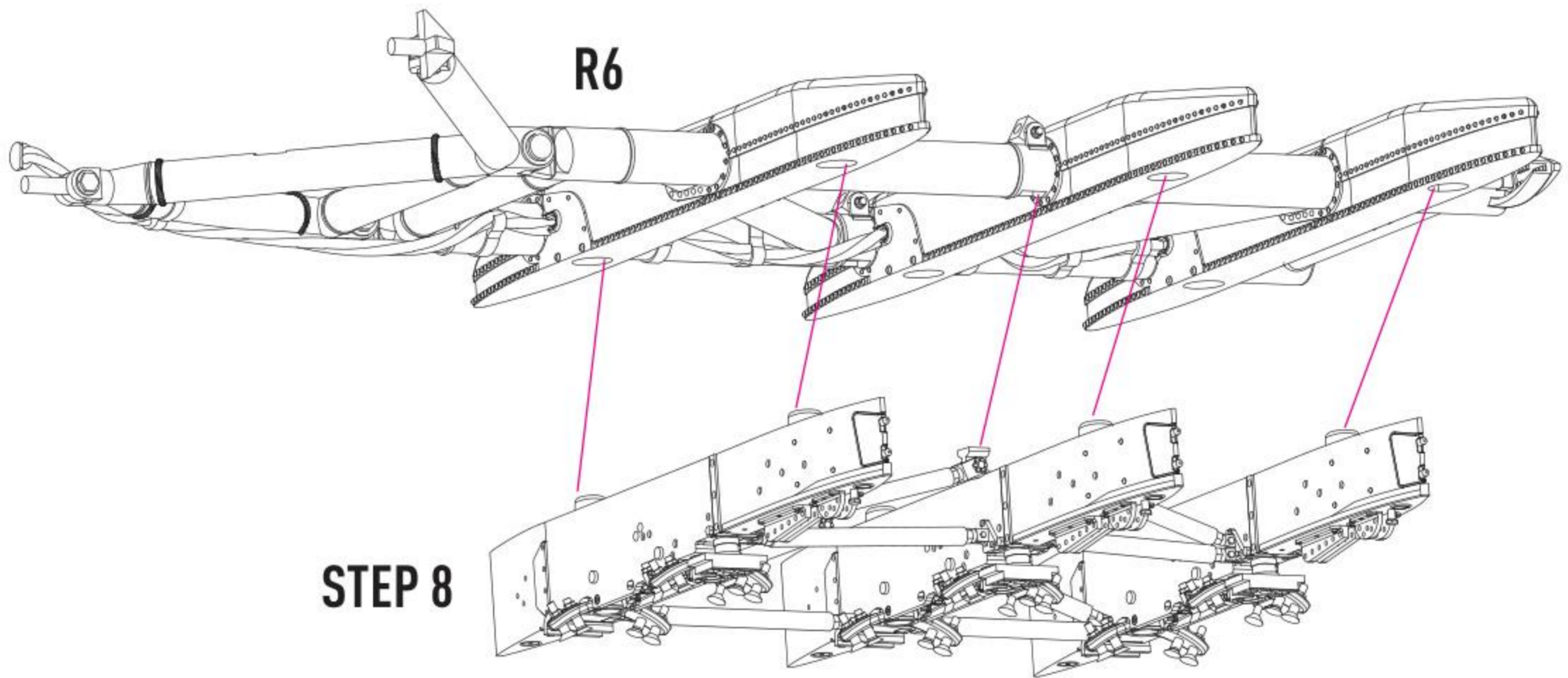
STEP 6



8 RIGHT SIDE

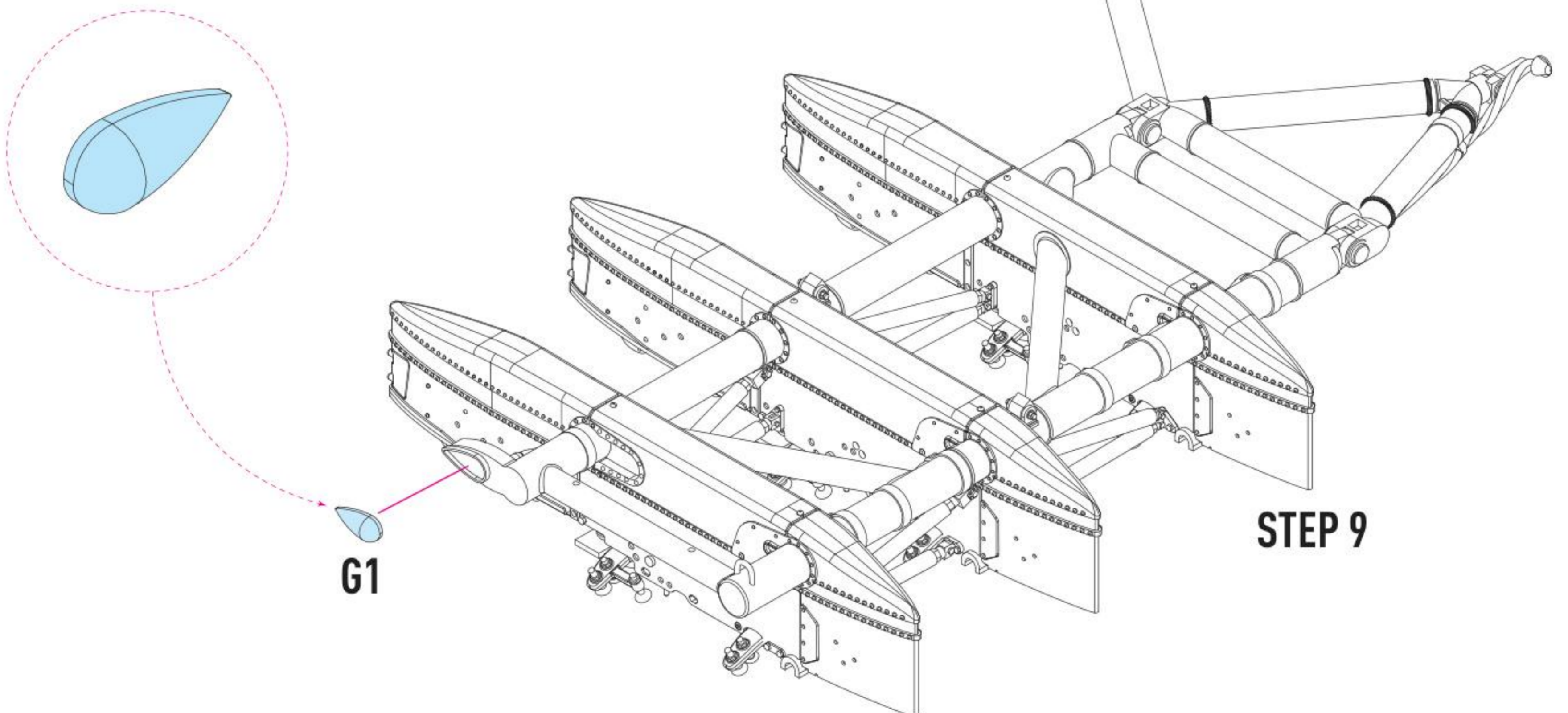


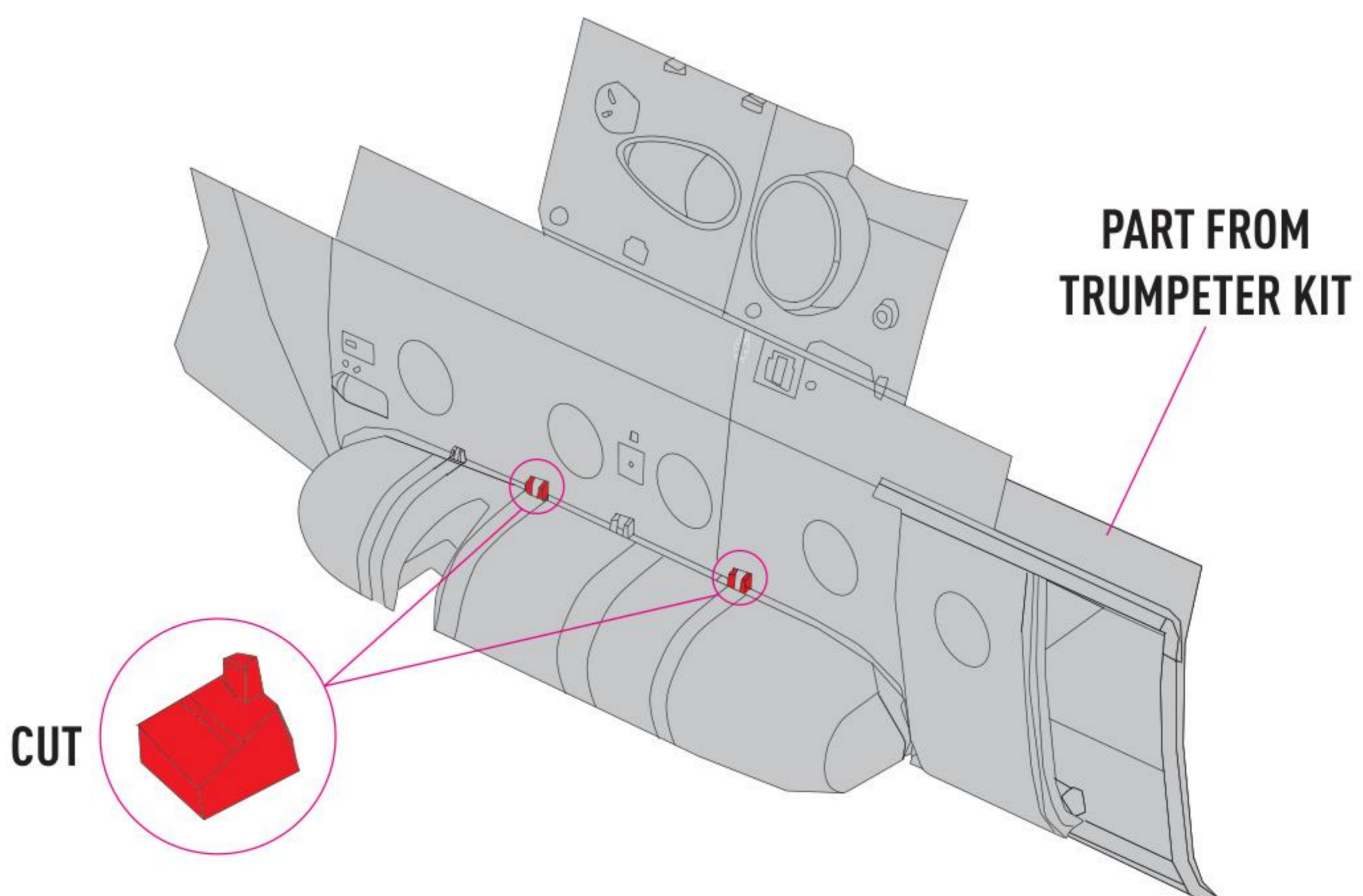
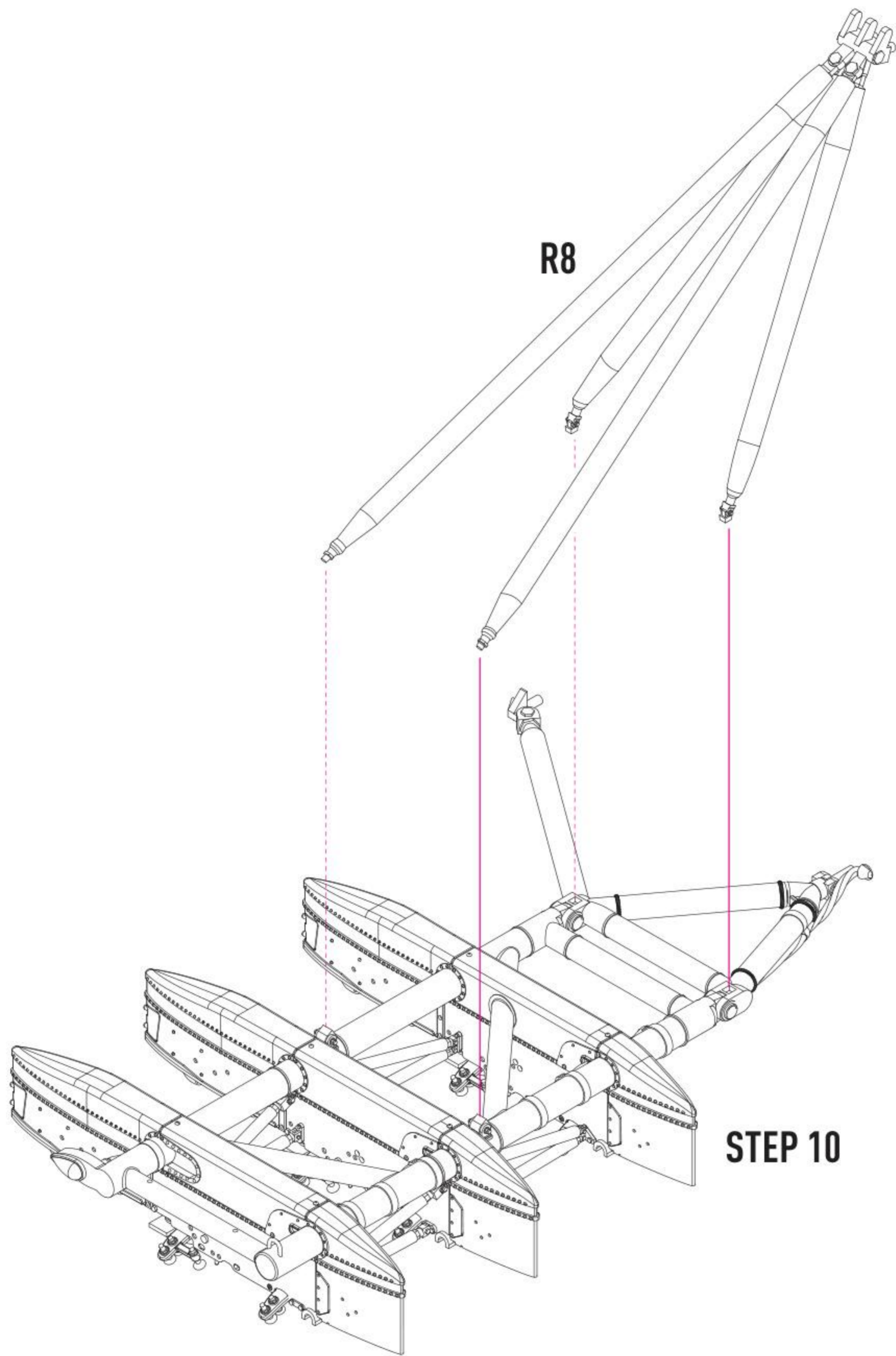
9



10

BEFORE INSTALLATION, APPLY GLOSS VARNISH ON TRANSPARENT PART





13

**GLUE M1 MASK
(GUIDED BY THE WINDOWS)**

**PART FROM
TRUMPETER KIT**

STEP 12

P2

P4

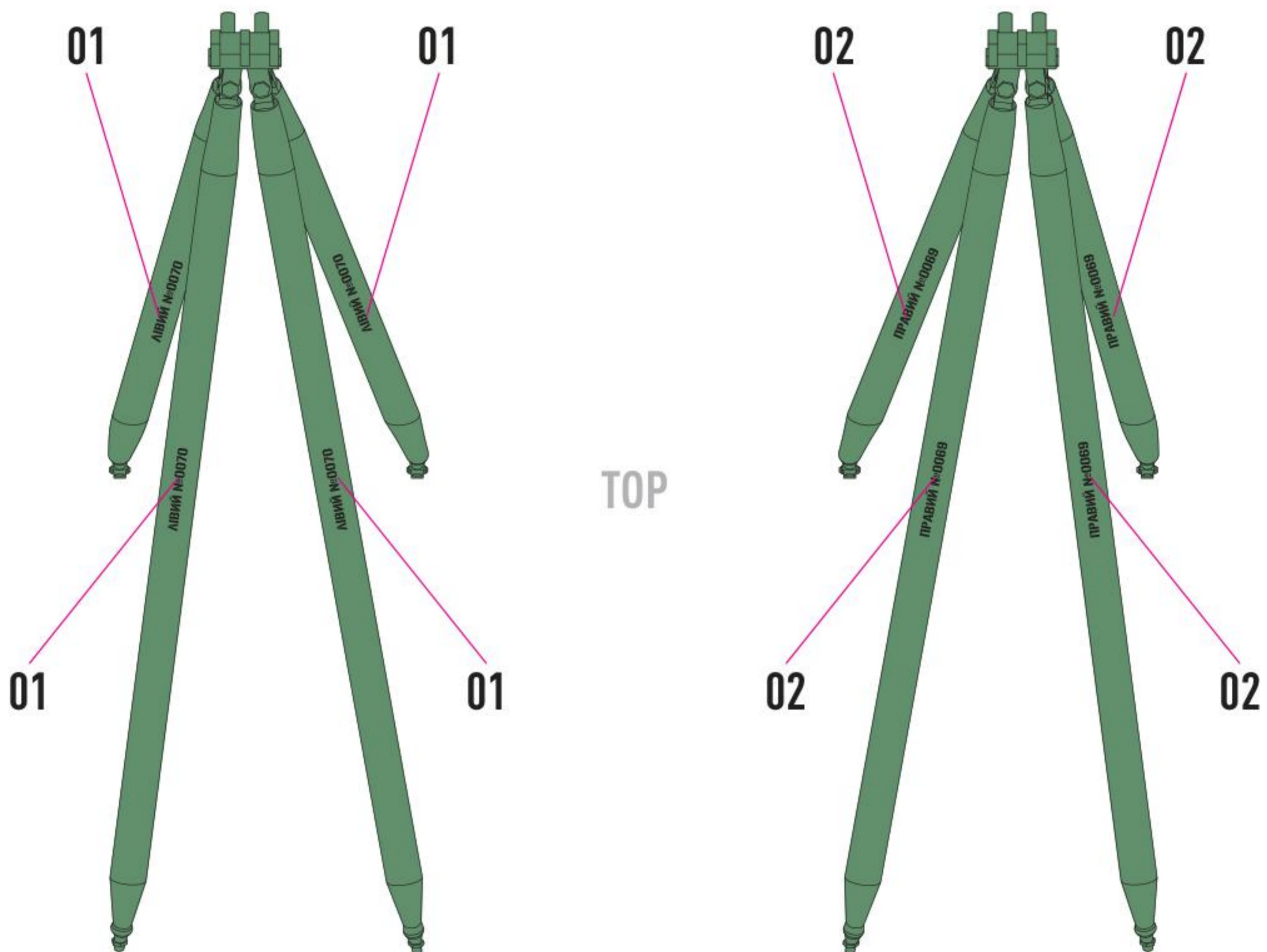
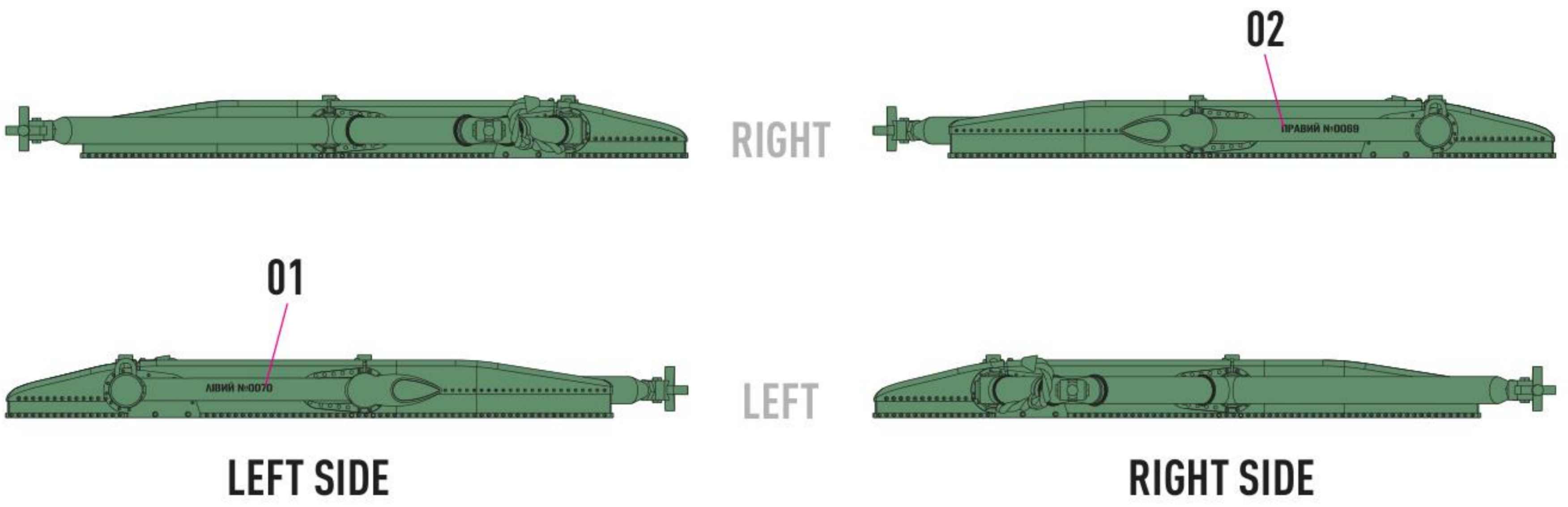
**DRILL A HOLE
D = 0.6 MM**

14 REMOVE MASK

STEP 13

STEP 11

DECAL INSTRUCTION



BD3-57KRV

