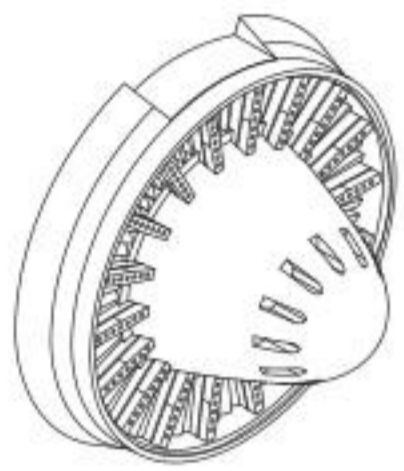


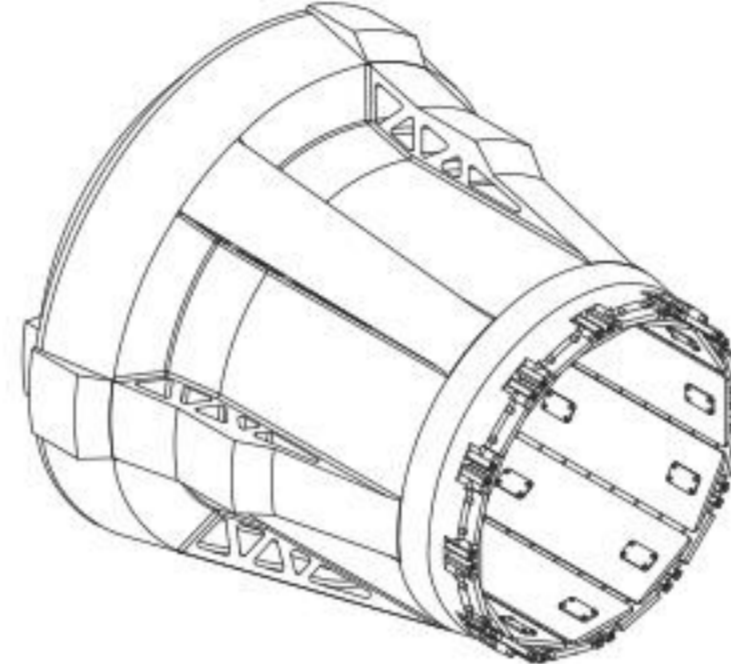
R6 X2



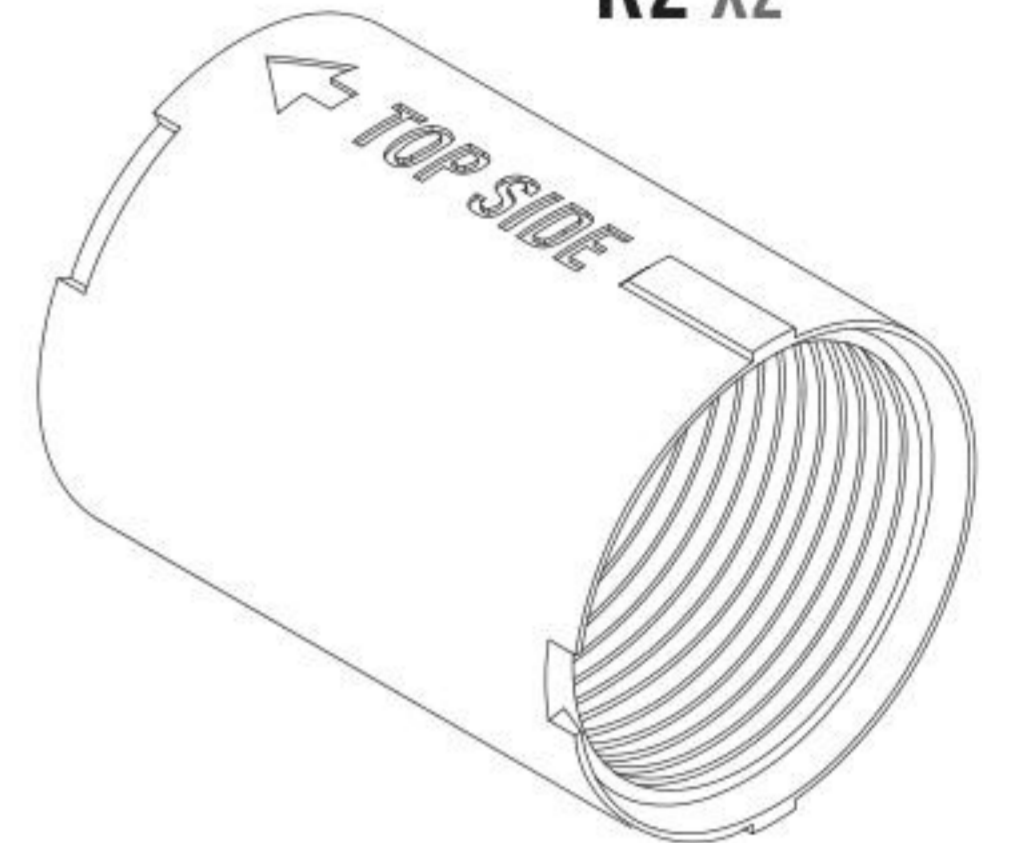
R1 X2



R3 X2



R5 X2



R4 X2



USE A SAW TO REMOVE SUPPORTS
FROM 3D PRINTED PARTS

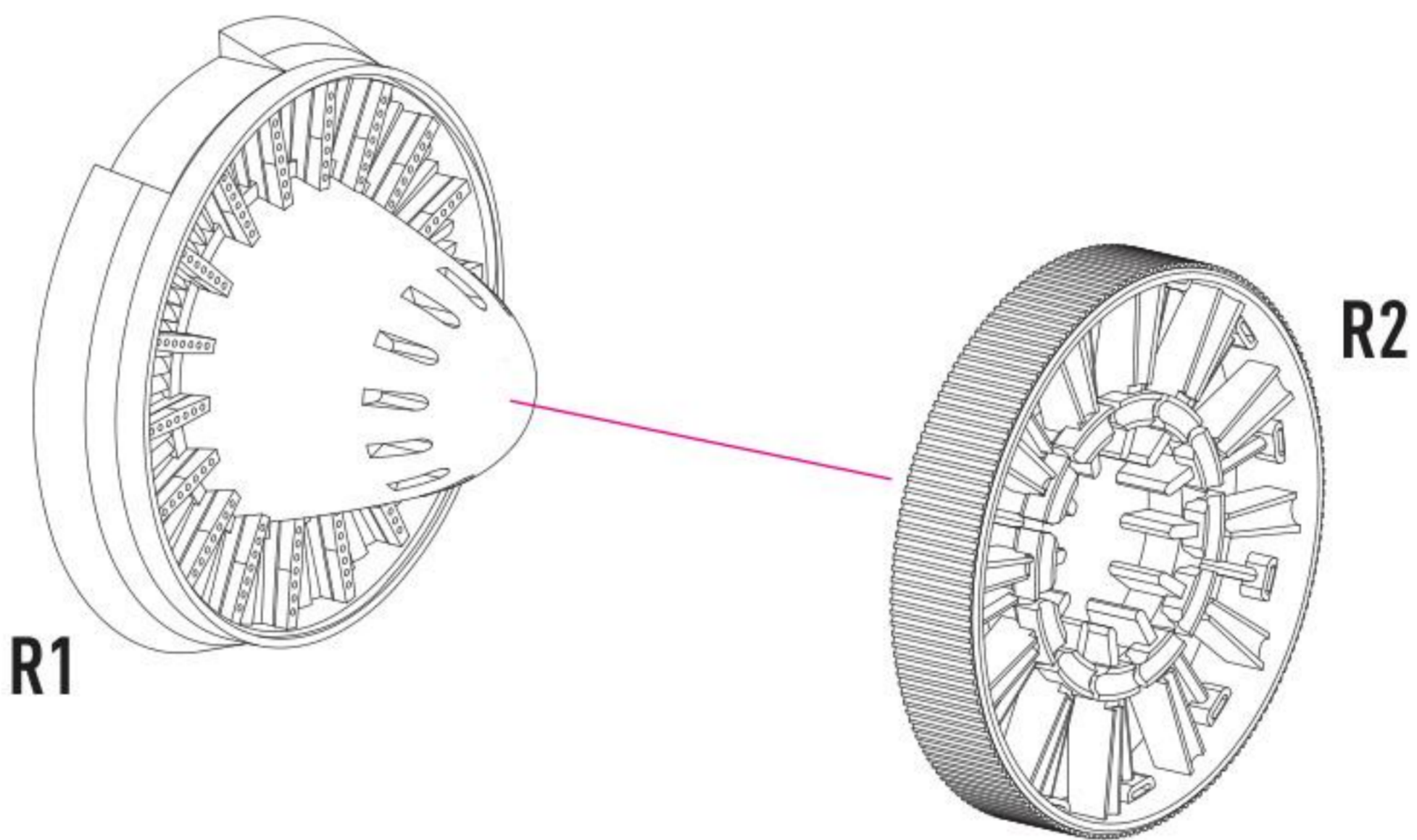
**DETAILS AFTER REMOVAL
FROM SUPPORTS**



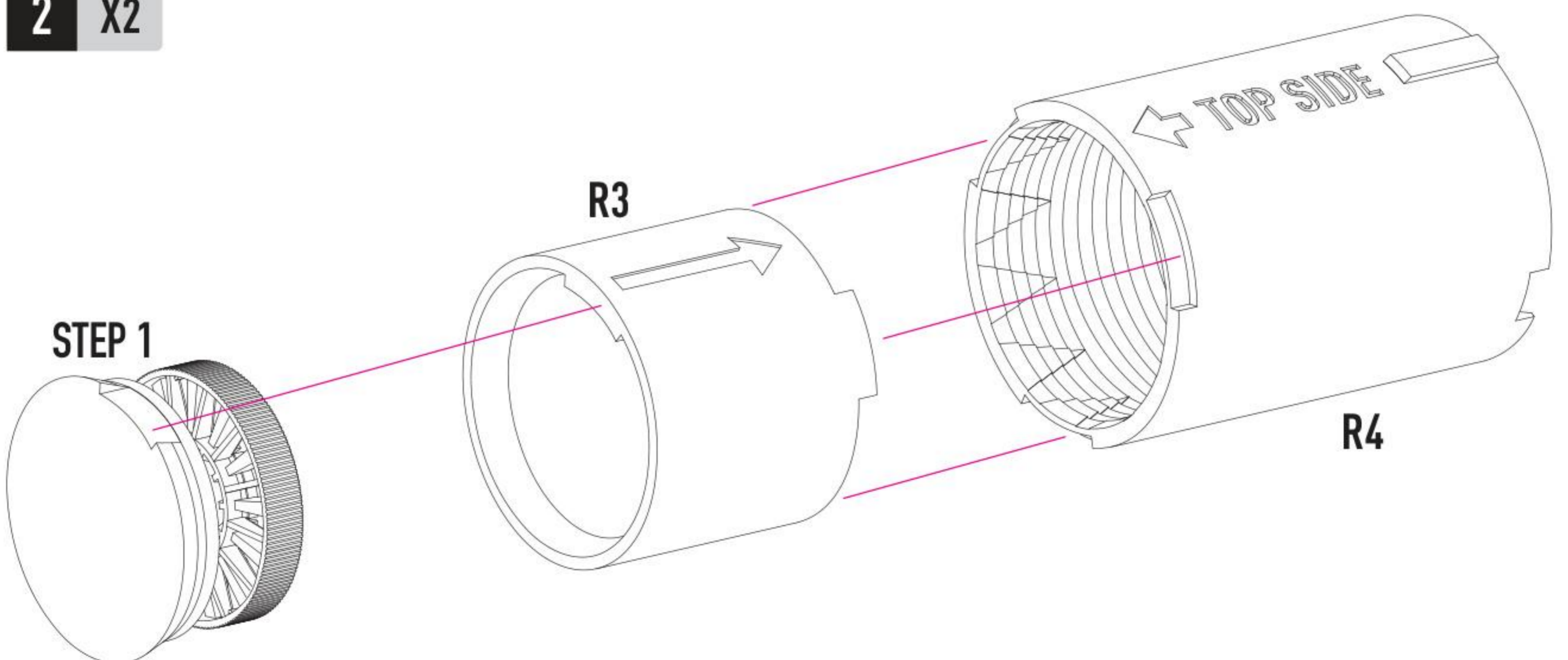
R2 X2

BEFORE USING RESKIT NOZZLES CUT OFF THE CENTRAL SECTION OF R19 FROM HASEGAWA KIT

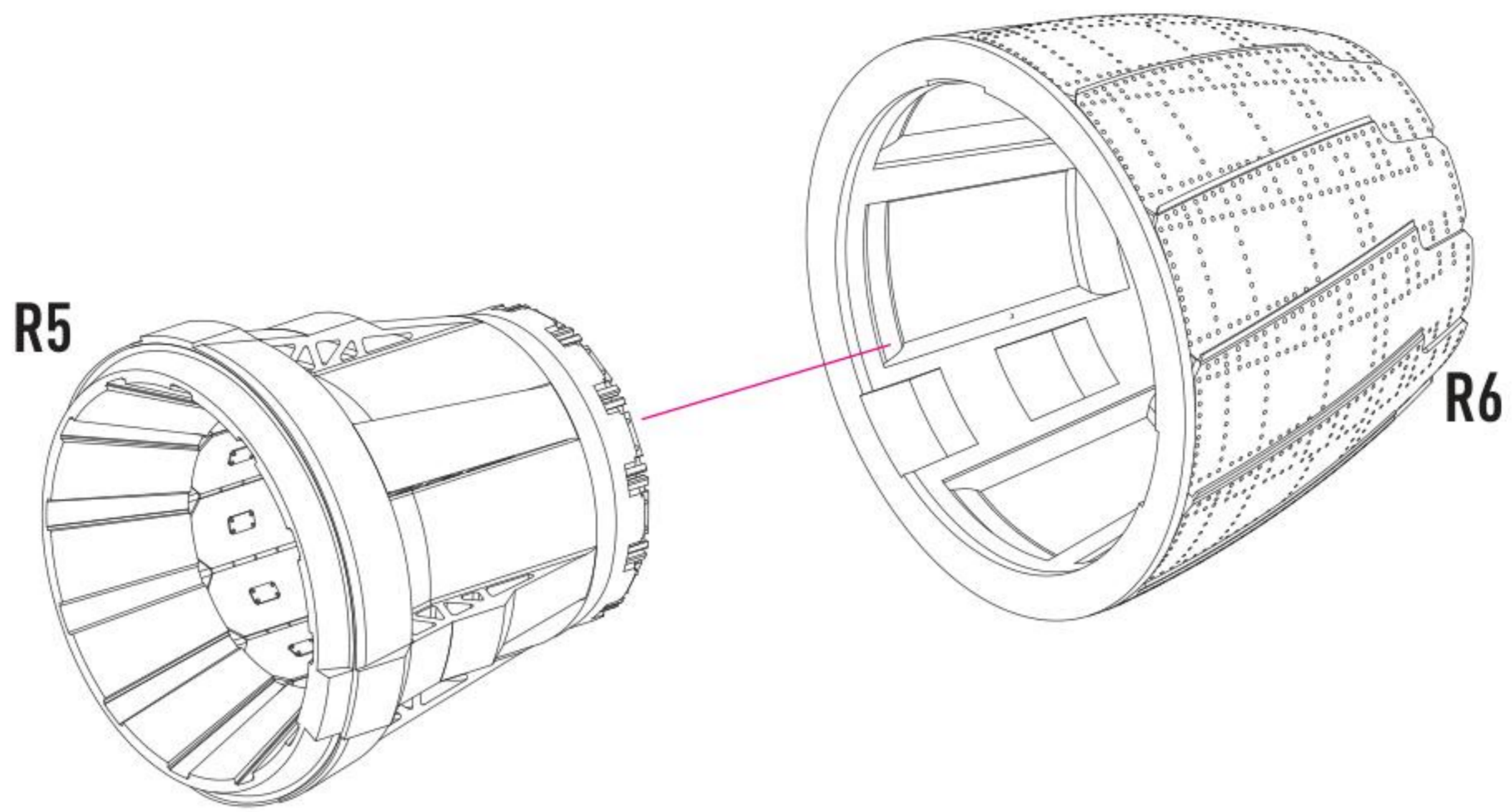
1 X2



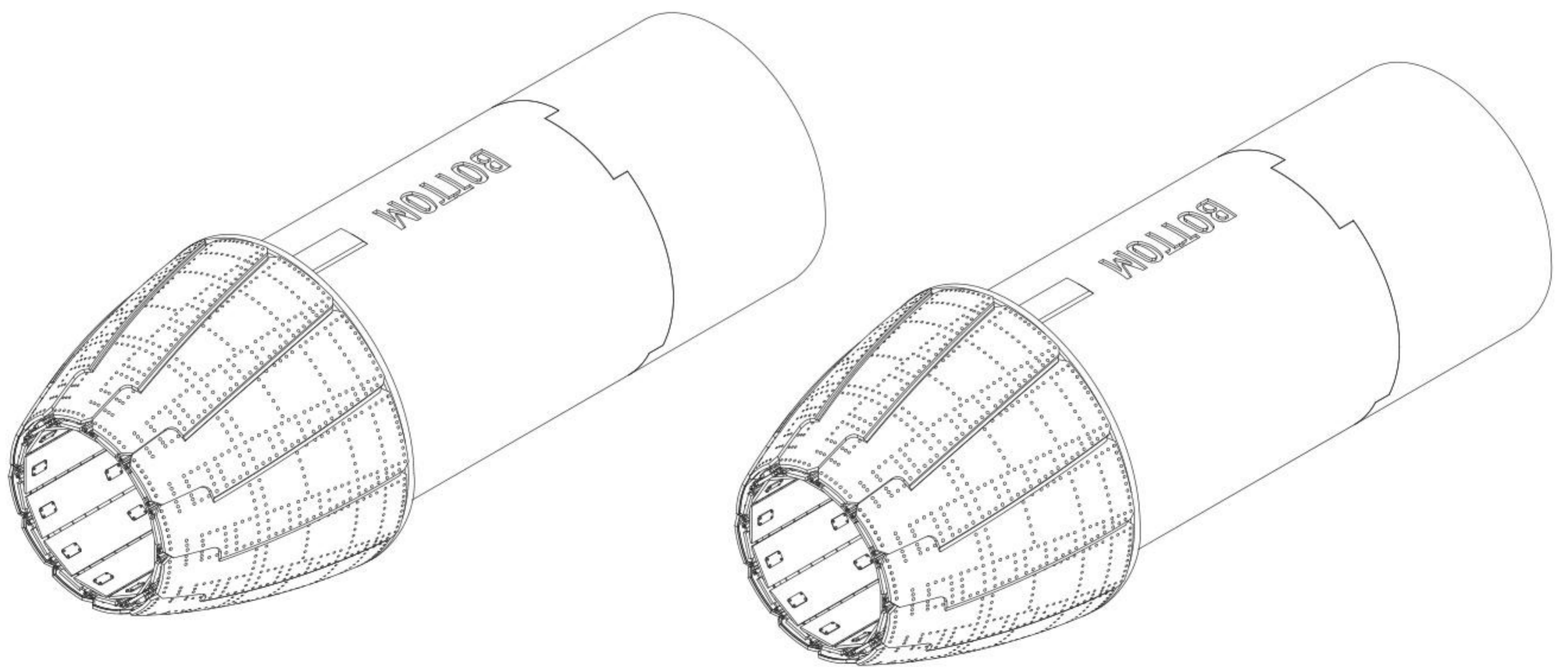
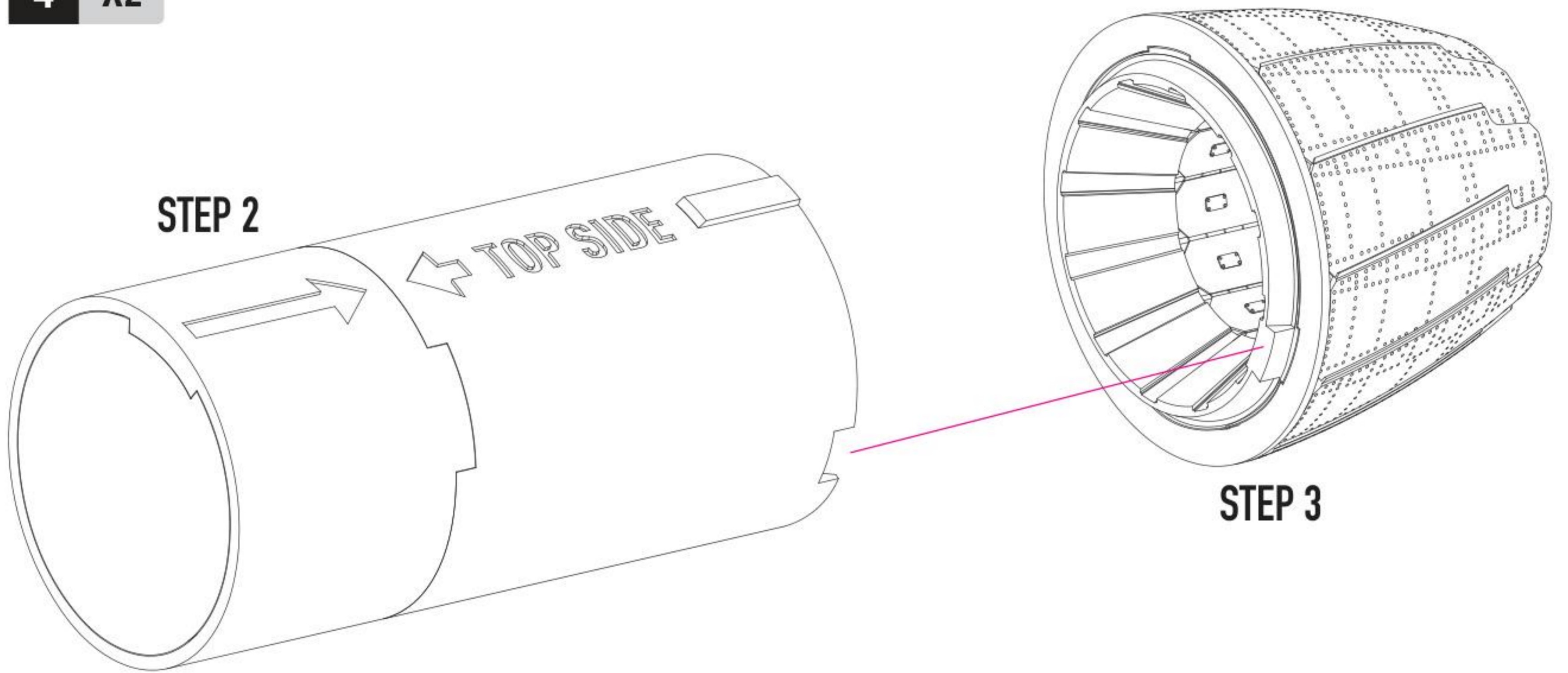
2 X2



3 X2



4 X2



BOEING F/A-18 HORNET BOOK

DUKEHAWKINS.COM

This book is the first in the series on a US Navy fighter jet, but definitely not the last. In order to include all versions of the "legacy" Hornet, we had to bring the pages up to 140.

MORE DETAILED PHOTOS FOR BUILDING THE MODEL CAN BE FOUND IN THE BOOK DUKE HAWKINS

general Issues: info@reskit.com.ua / claim resolution: claims@reskit.com.ua **RESKIT-MODELS.COM**

fb.com/reskit.official

instagram.com/reskit_official

youtube.com/@reskit-usmd