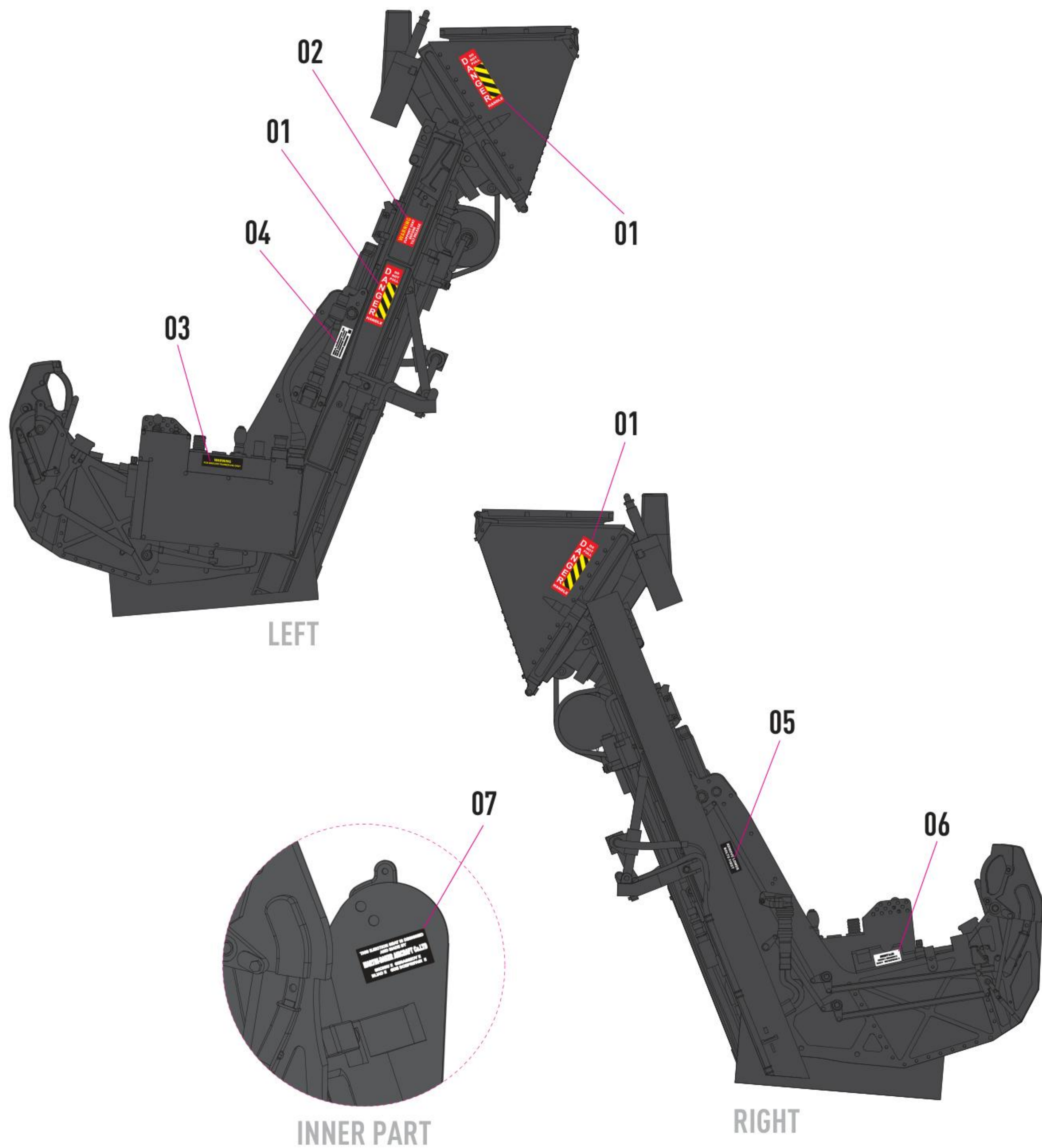
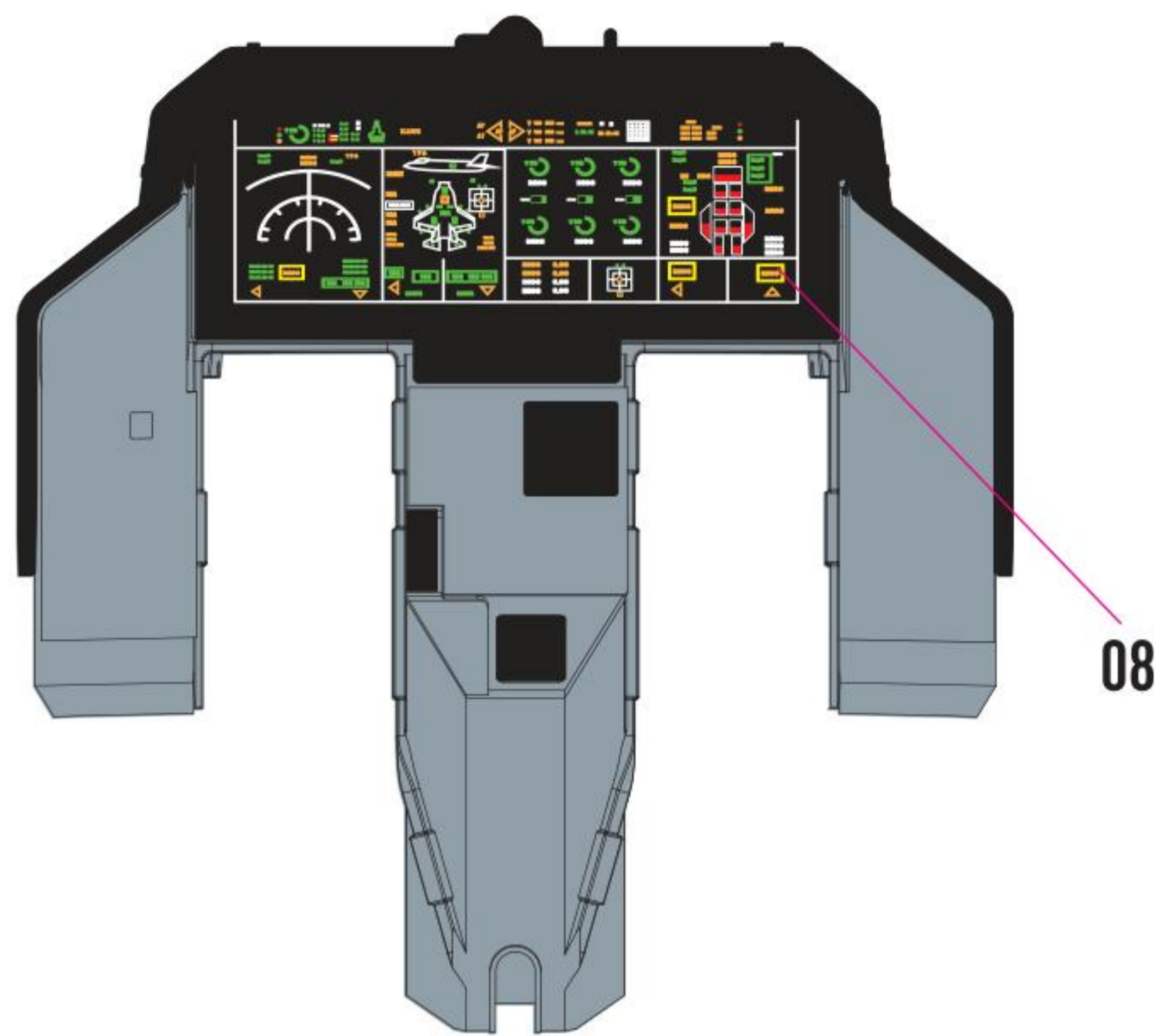
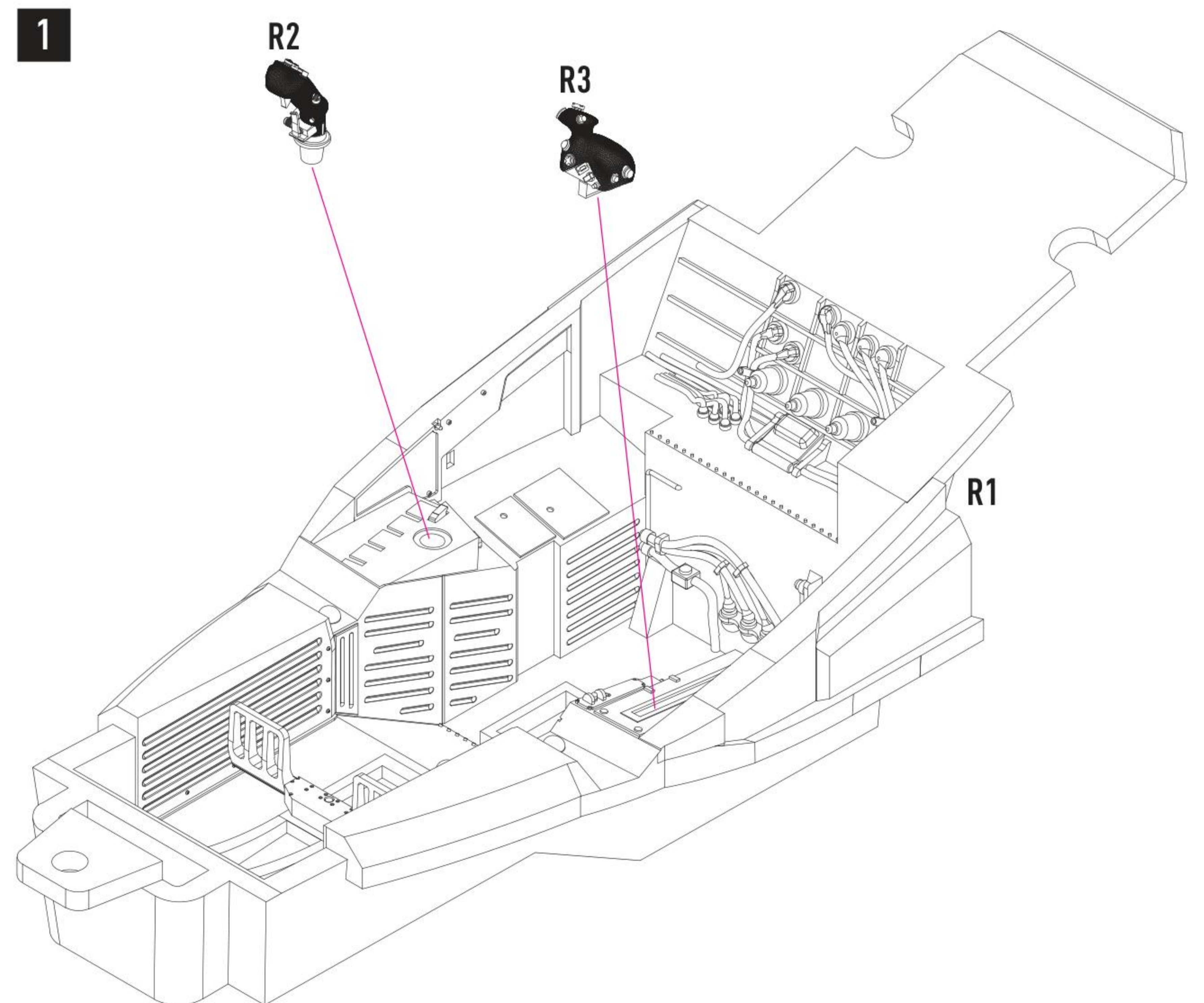
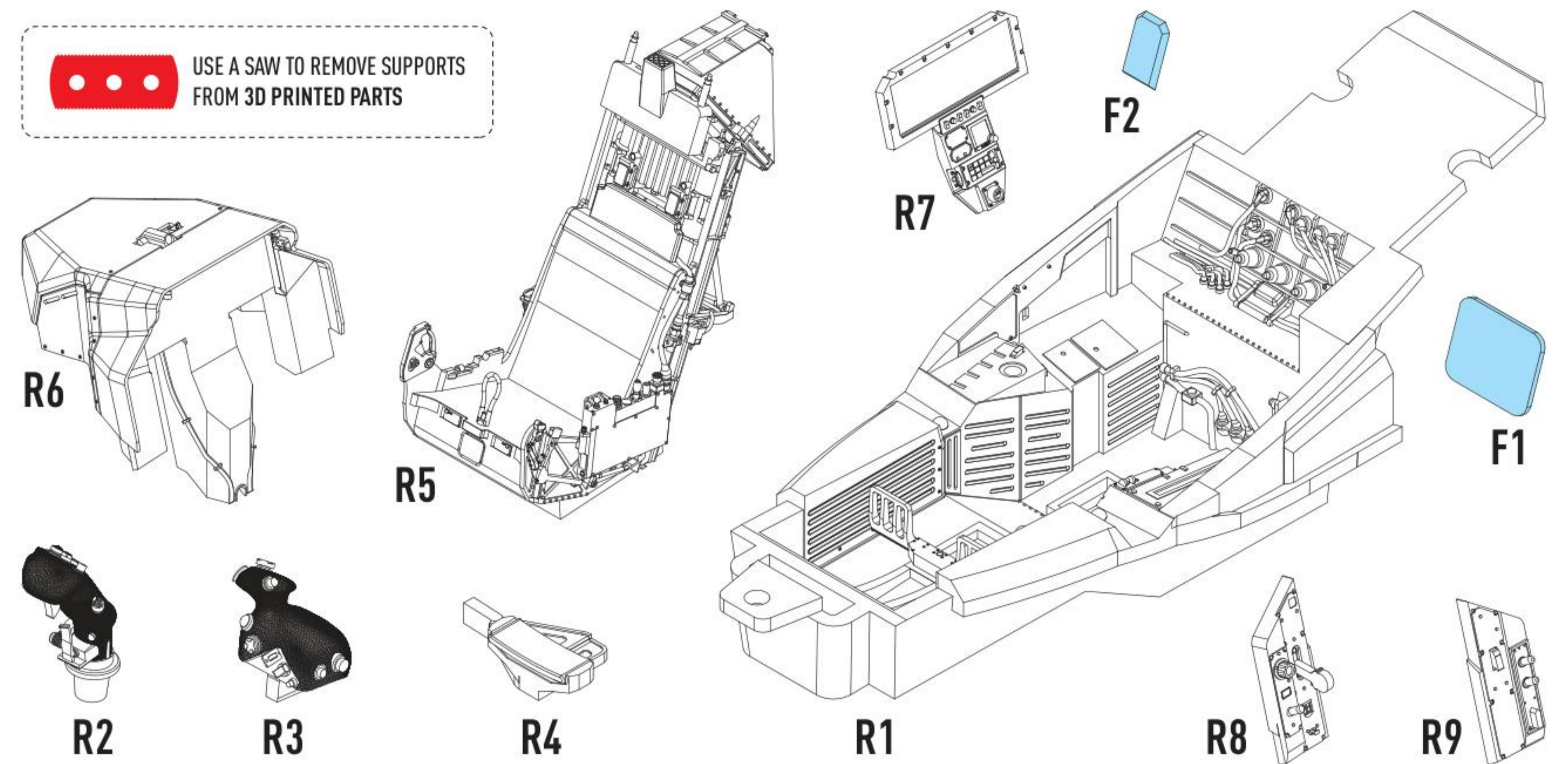


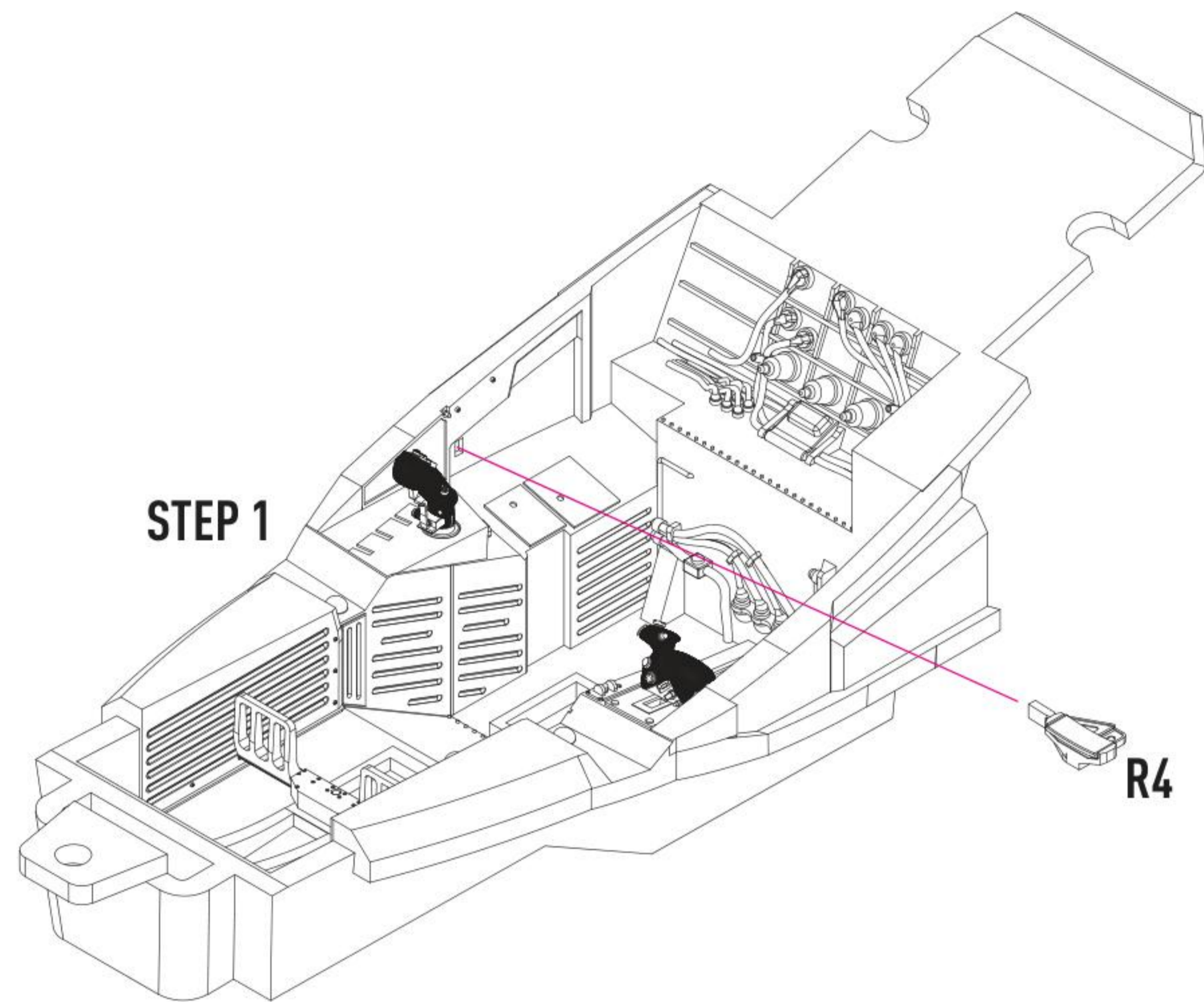
DECAL INSTRUCTION



USE A SAW TO REMOVE SUPPORTS FROM 3D PRINTED PARTS



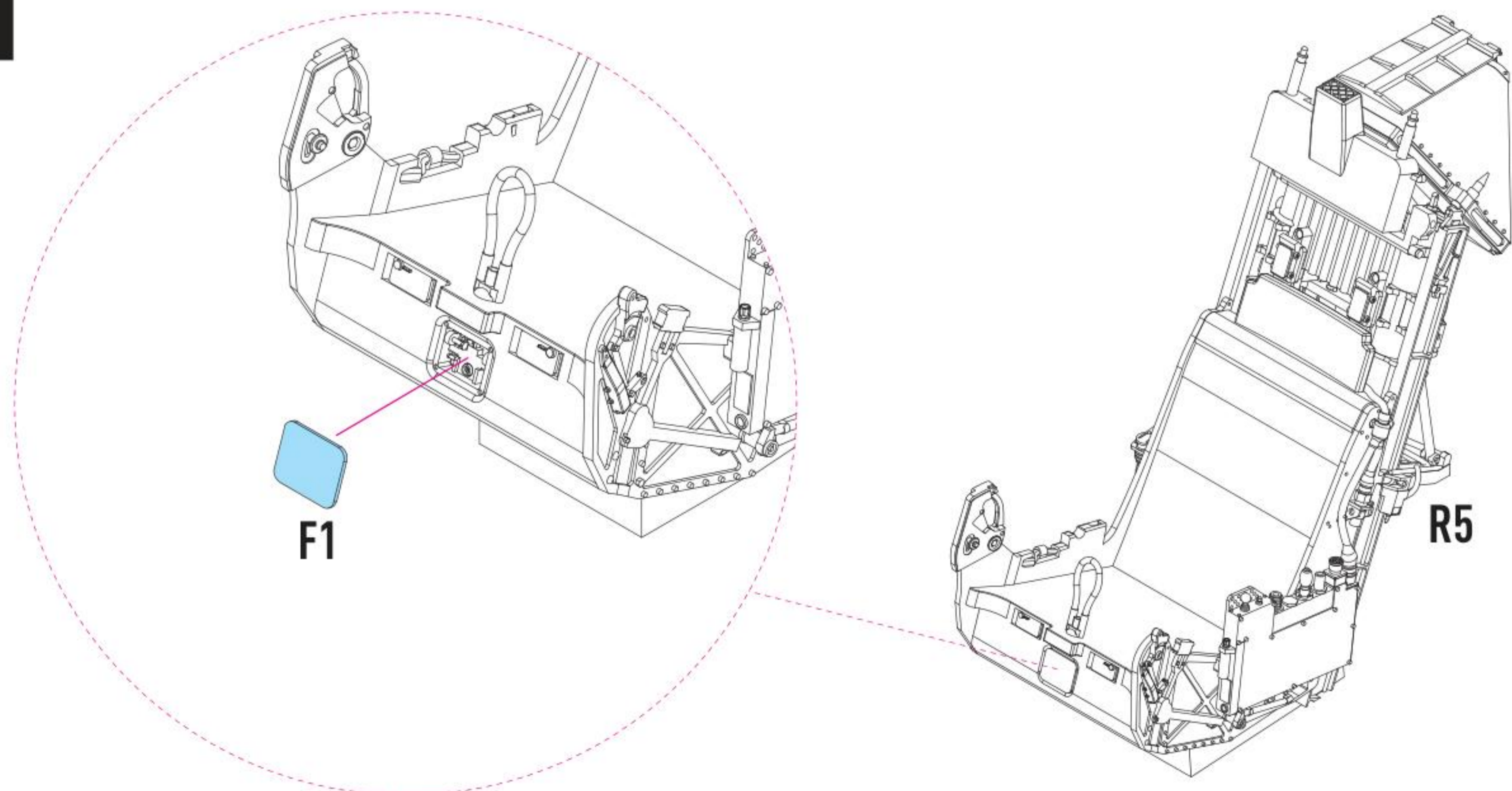
2



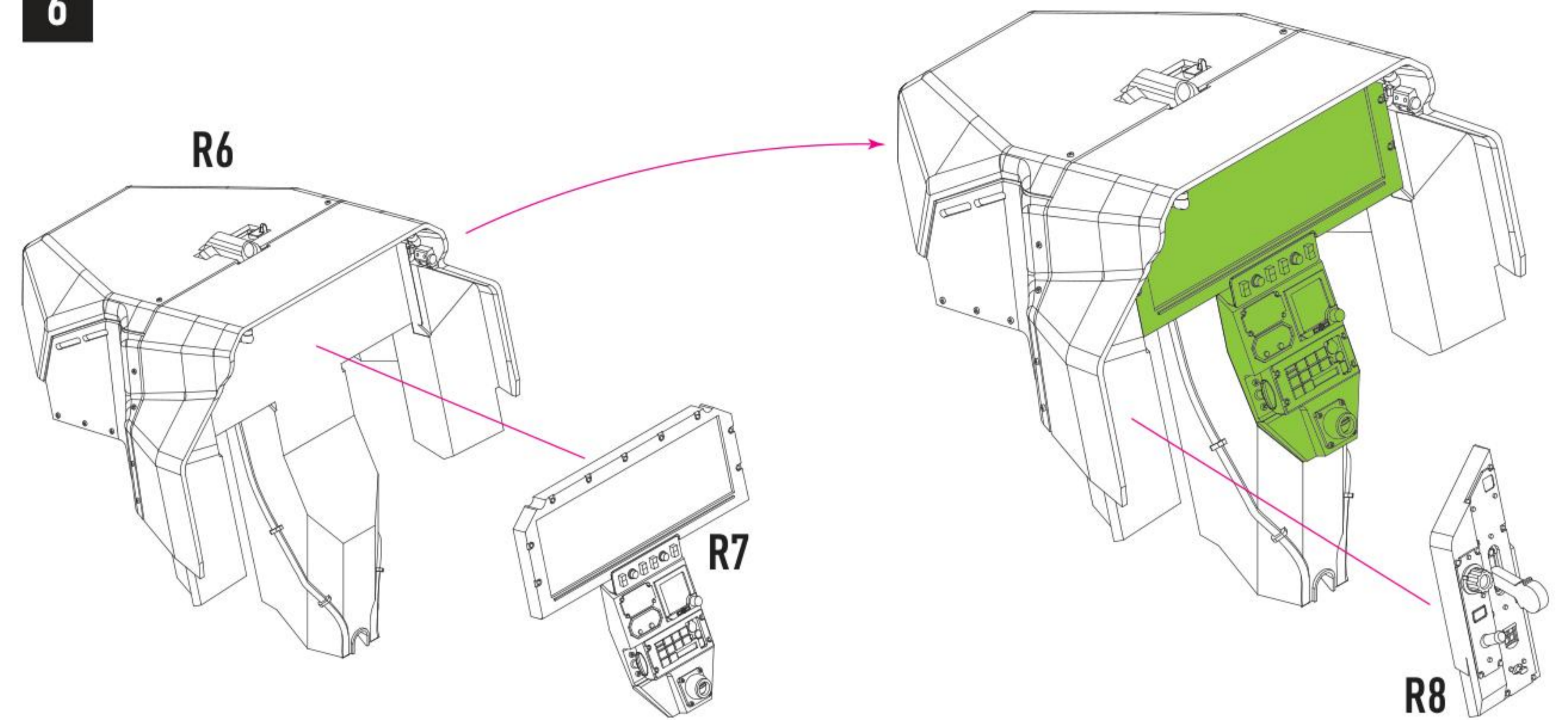
3 IN TAMIYA INSTRUCTIONS ON PAGE 5,
PARAGRAPH 3, REPLACE ALL PARTS WITH STEP 2

4 IN TAMIYA INSTRUCTIONS ON PAGE 31,
PARAGRAPH 68 AND 69, REPLACE ALL PARTS WITH R5

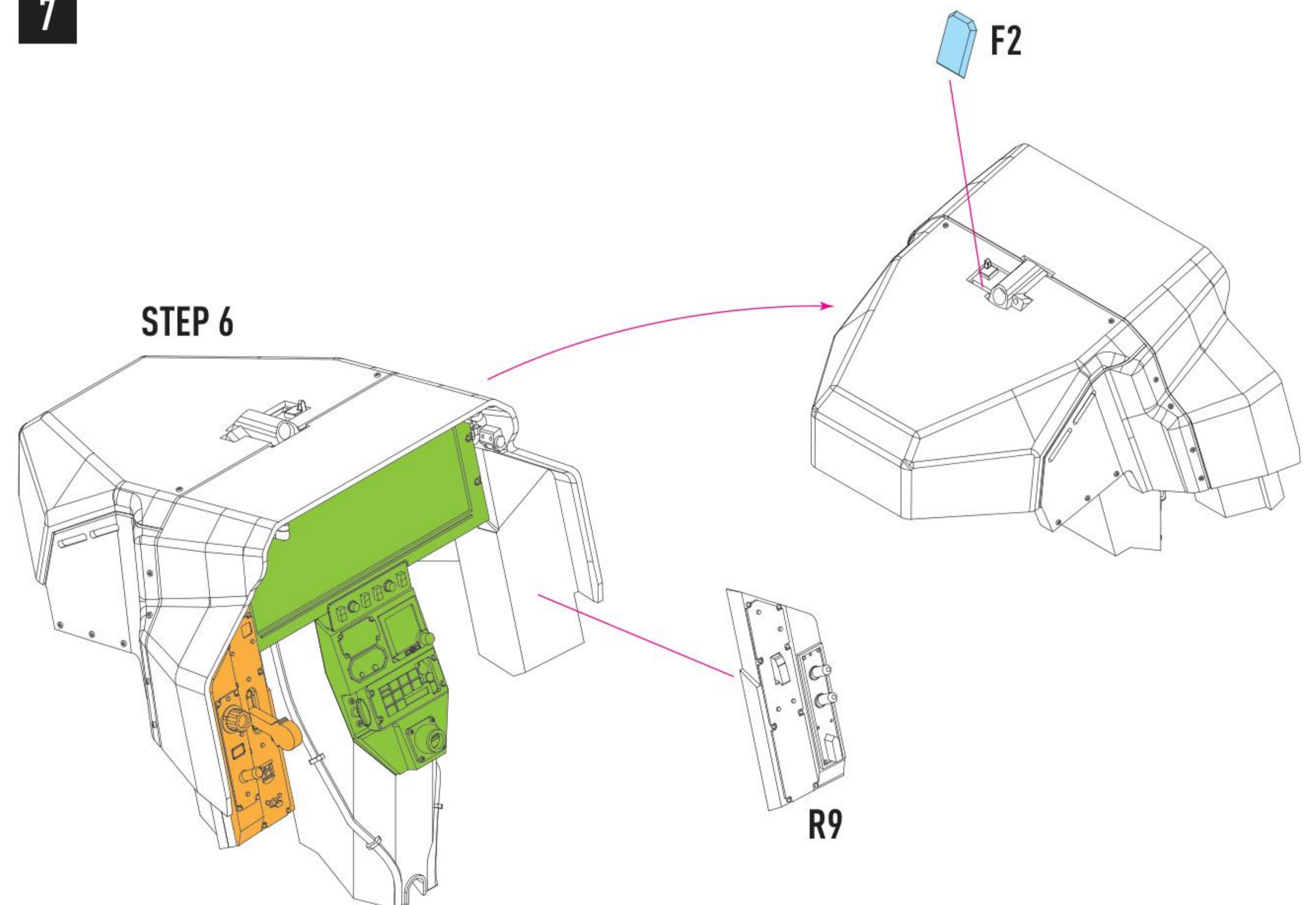
5



6



7



8 IN TAMIYA INSTRUCTIONS ON PAGE 32,
PARAGRAPH 72, REPLACE ALL PARTS WITH STEP 7