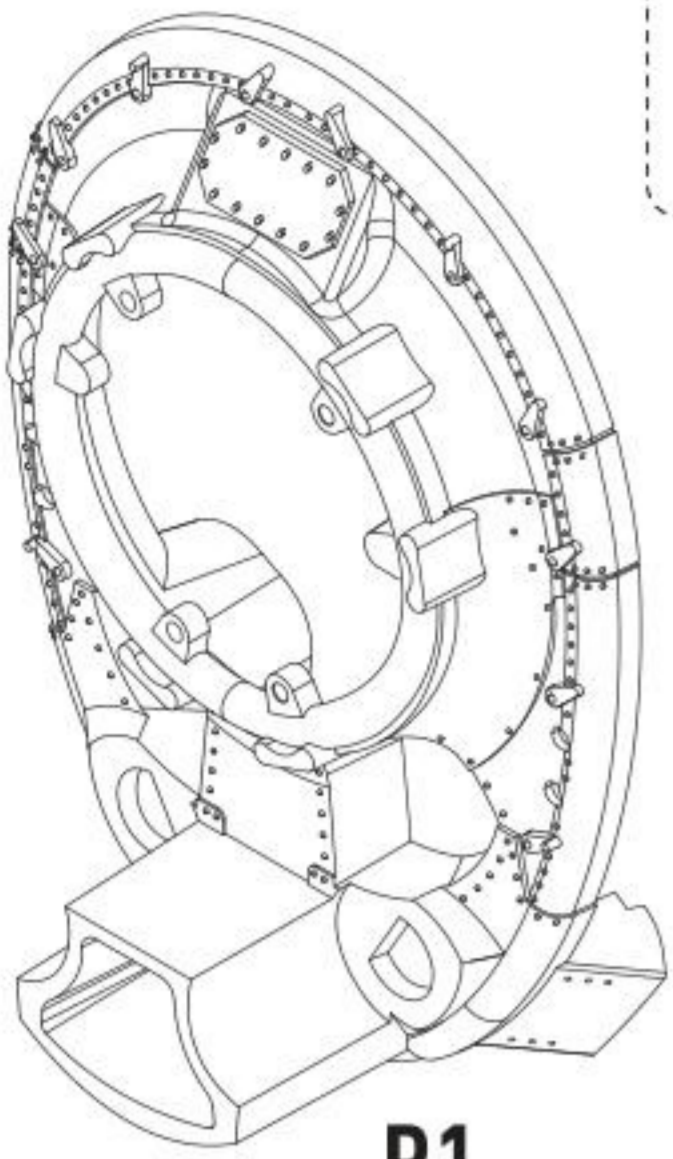
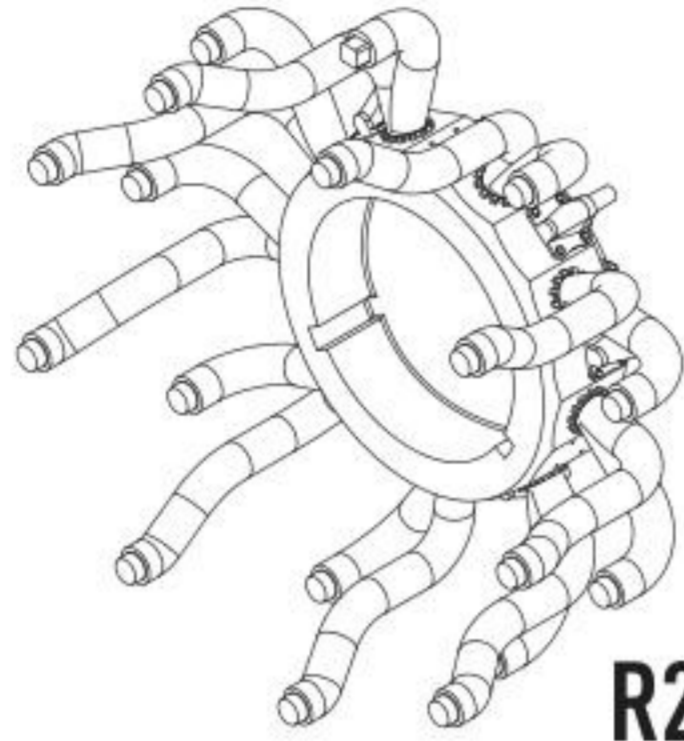


USE A SAW TO REMOVE SUPPORTS
 FROM 3D PRINTED PARTS

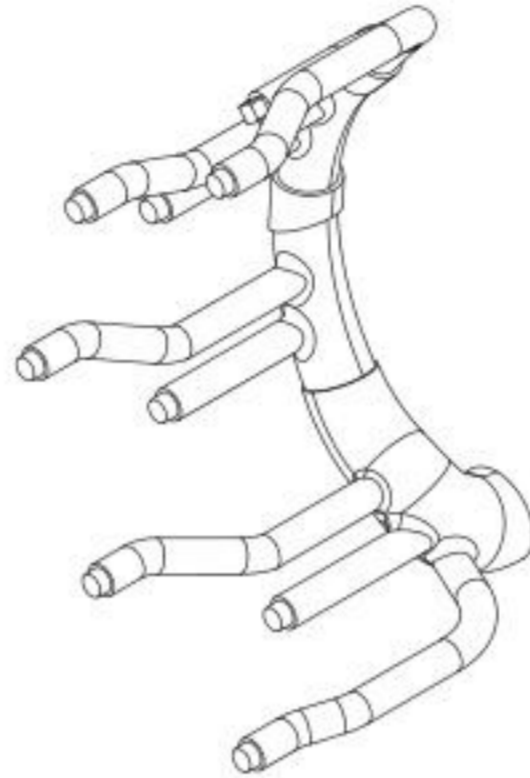
**DETAILS AFTER REMOVAL
 FROM SUPPORTS**



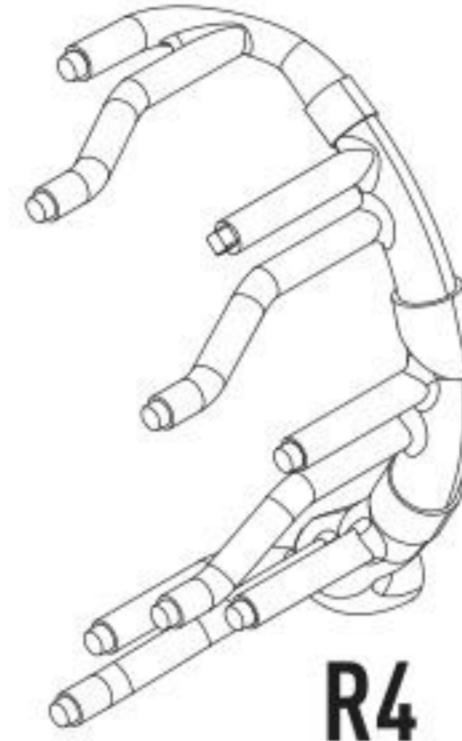
R1



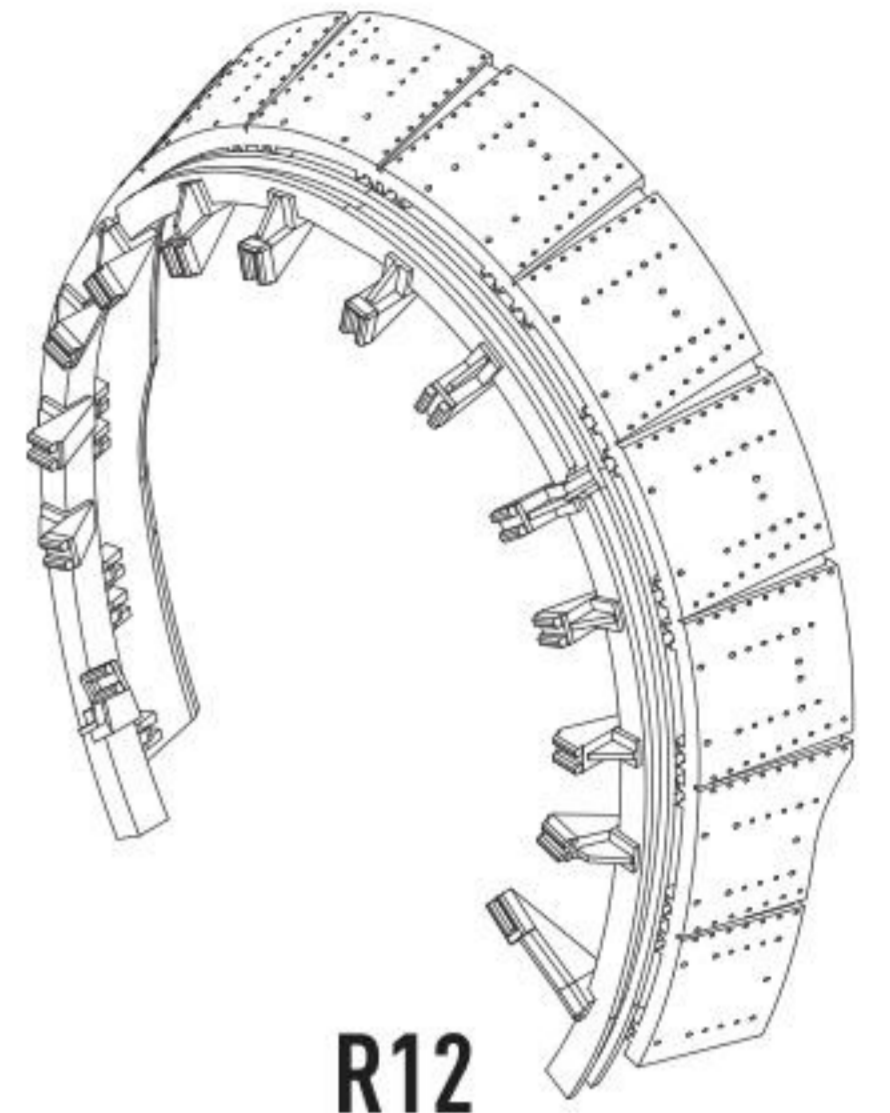
R2



R3



R4



R12



R9



R10



R7



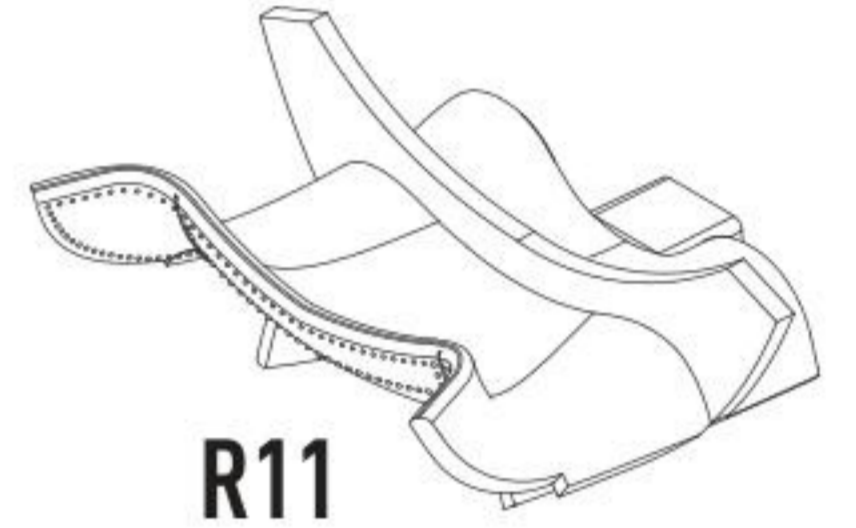
R8



R16



R17 x2



R11



R20



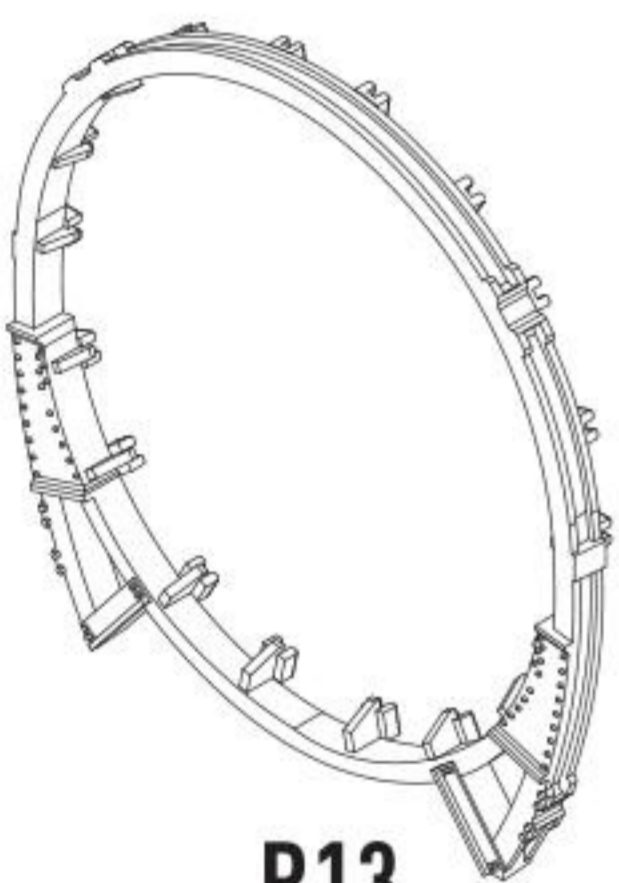
R21



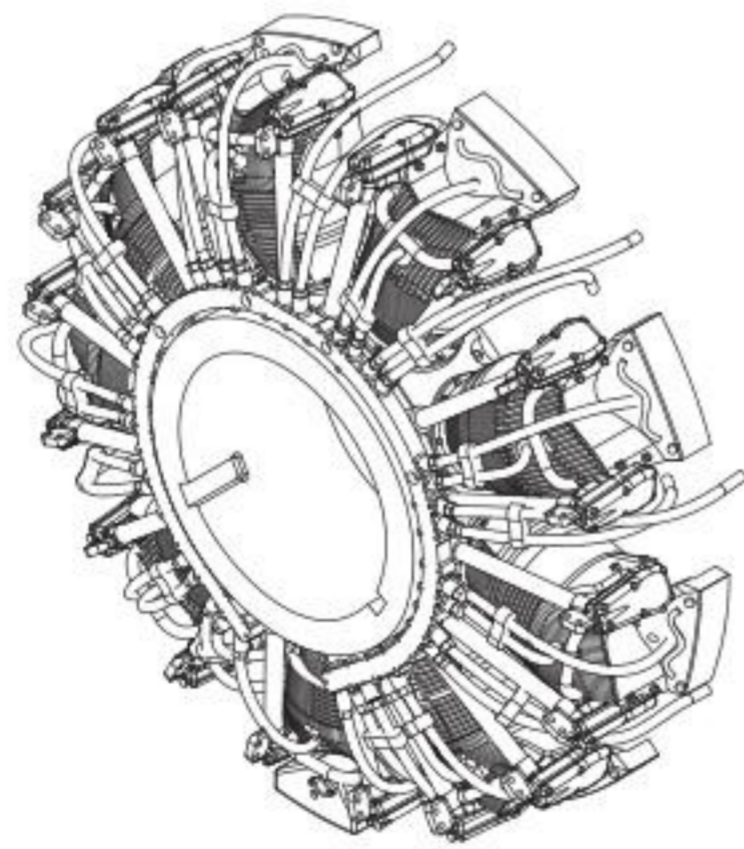
R22 x2



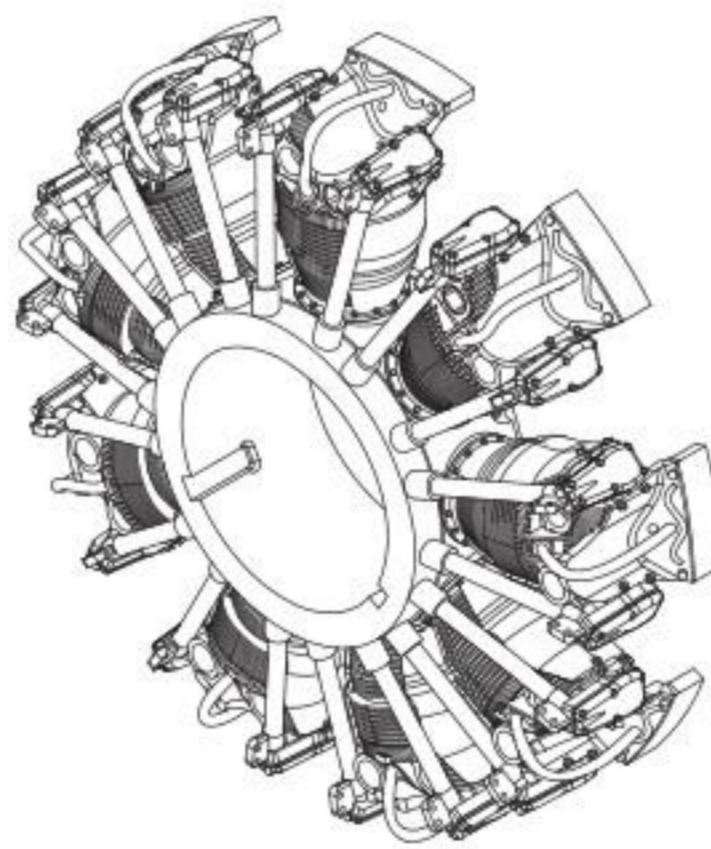
R18



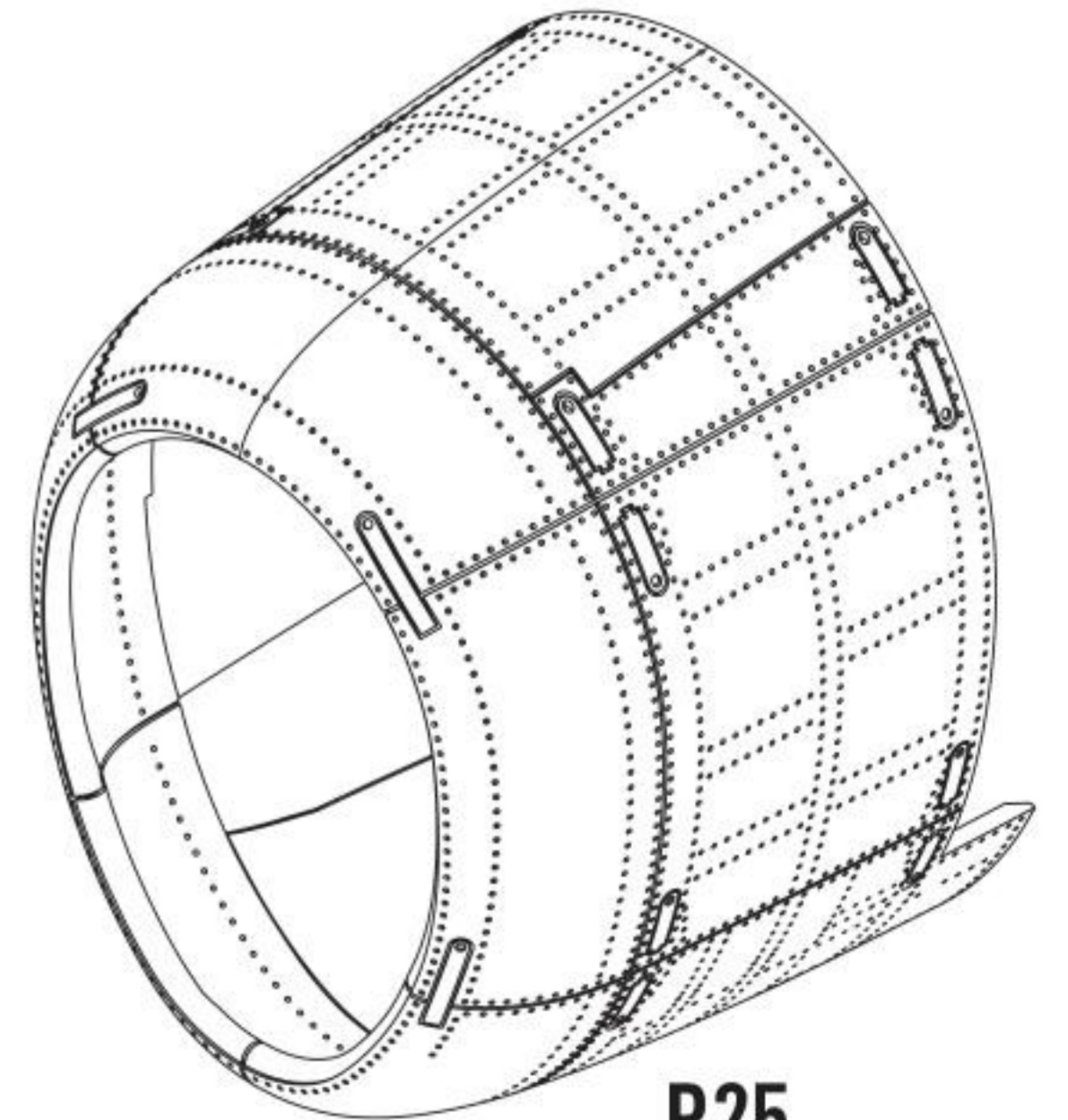
R13



R23



R24



R25



R19



R5



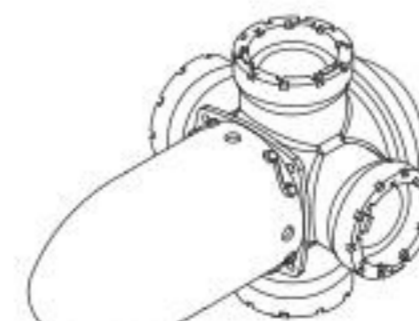
R6



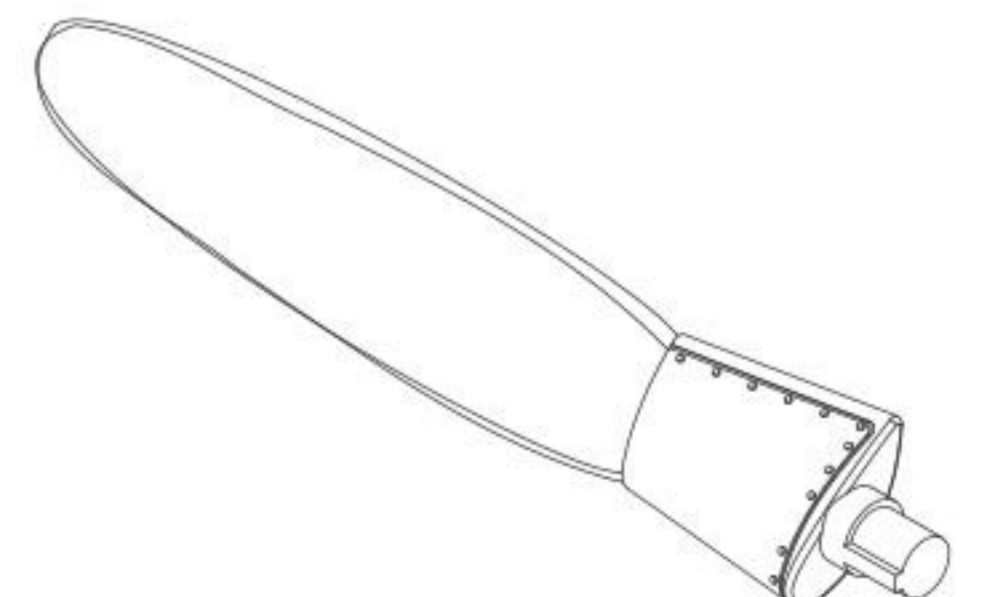
R15



R14

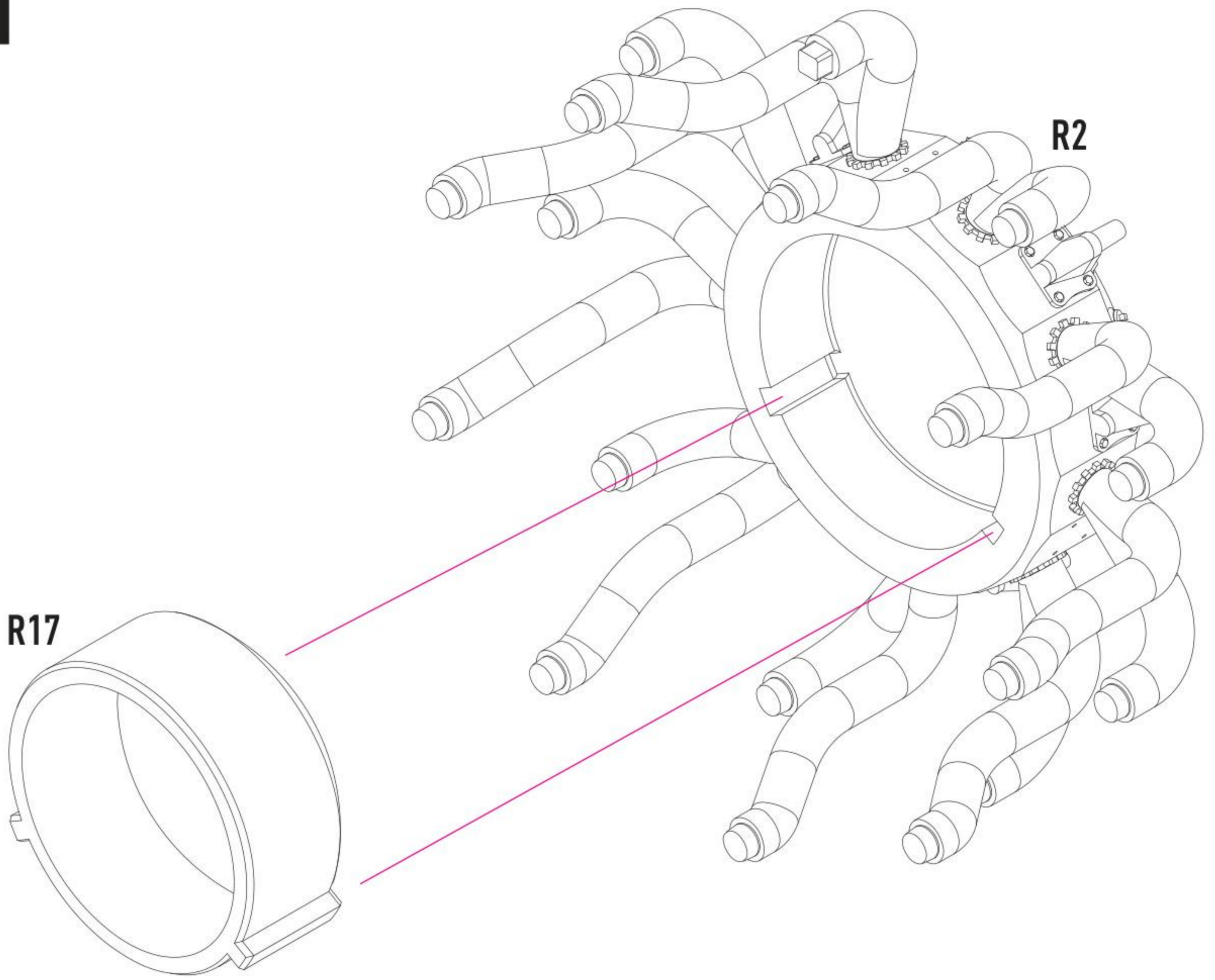


R28

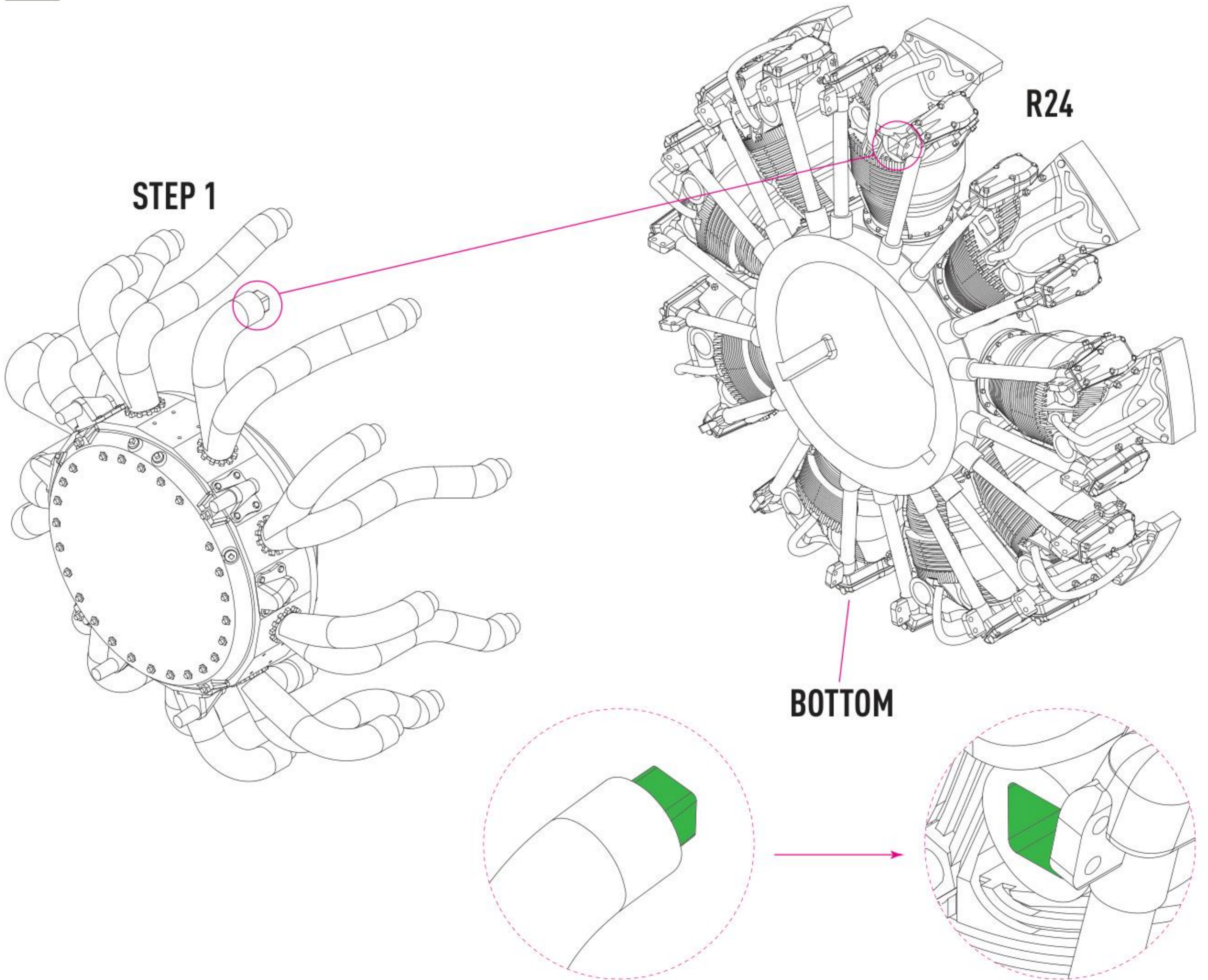


R31 x4

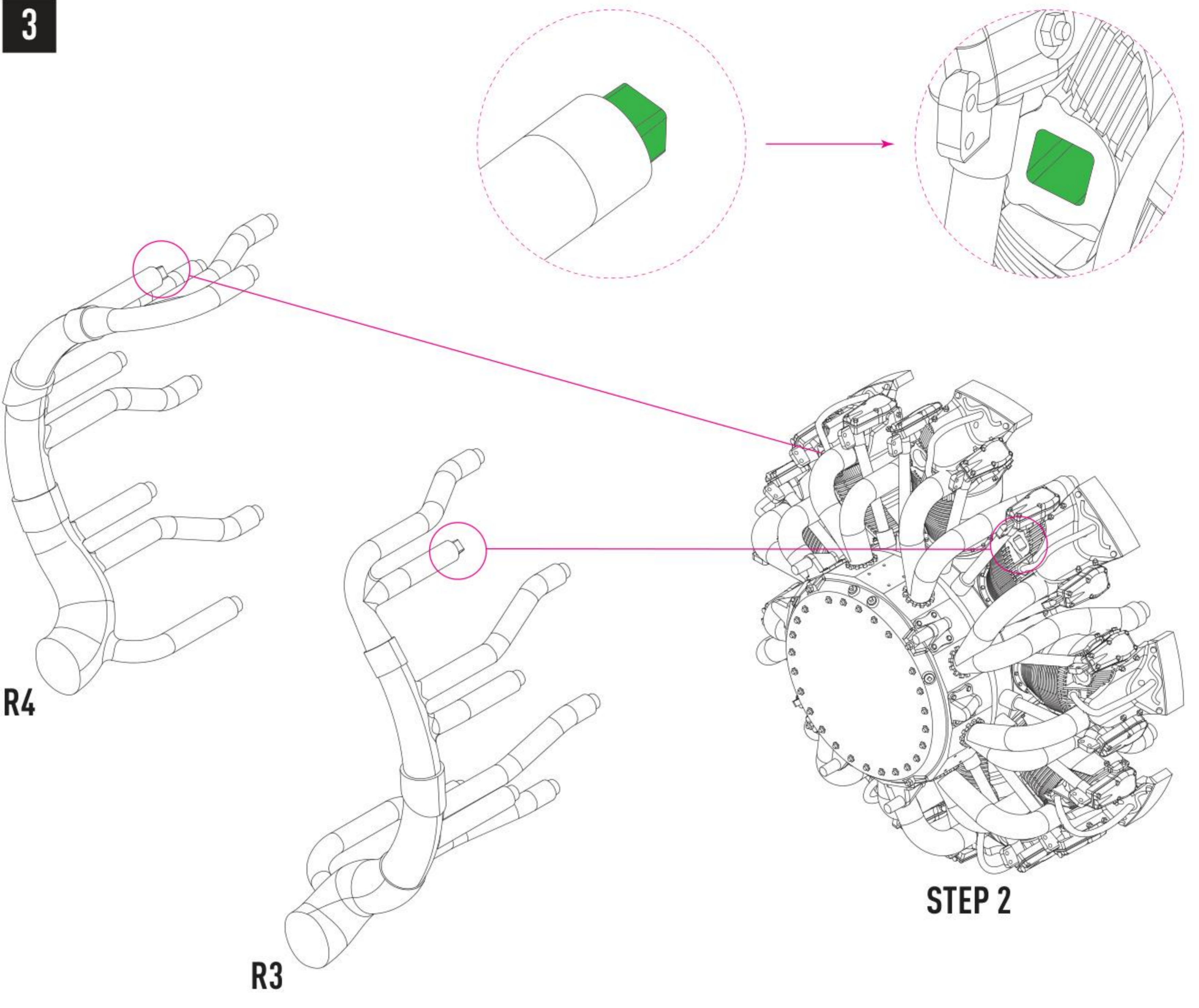
1



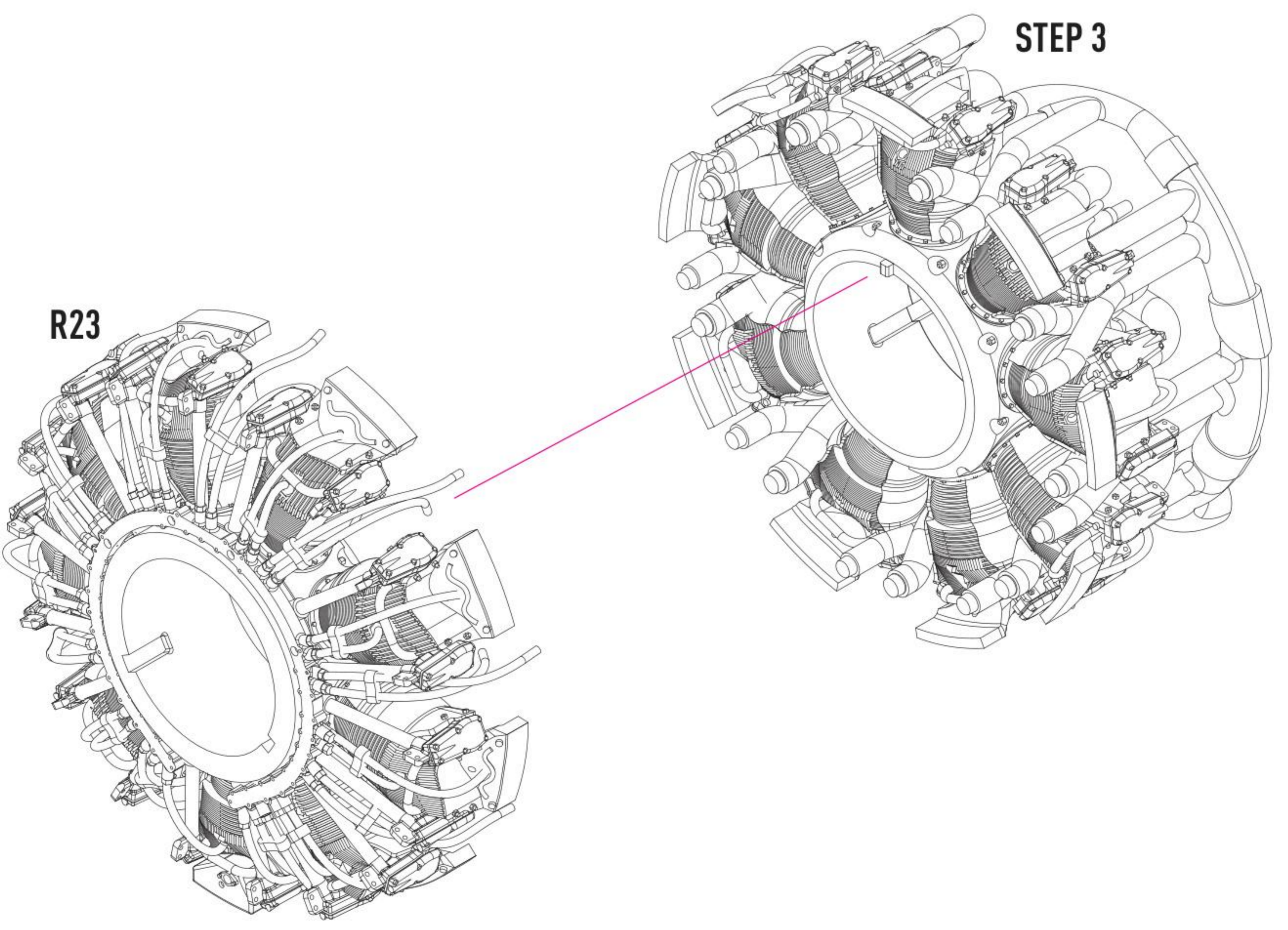
2



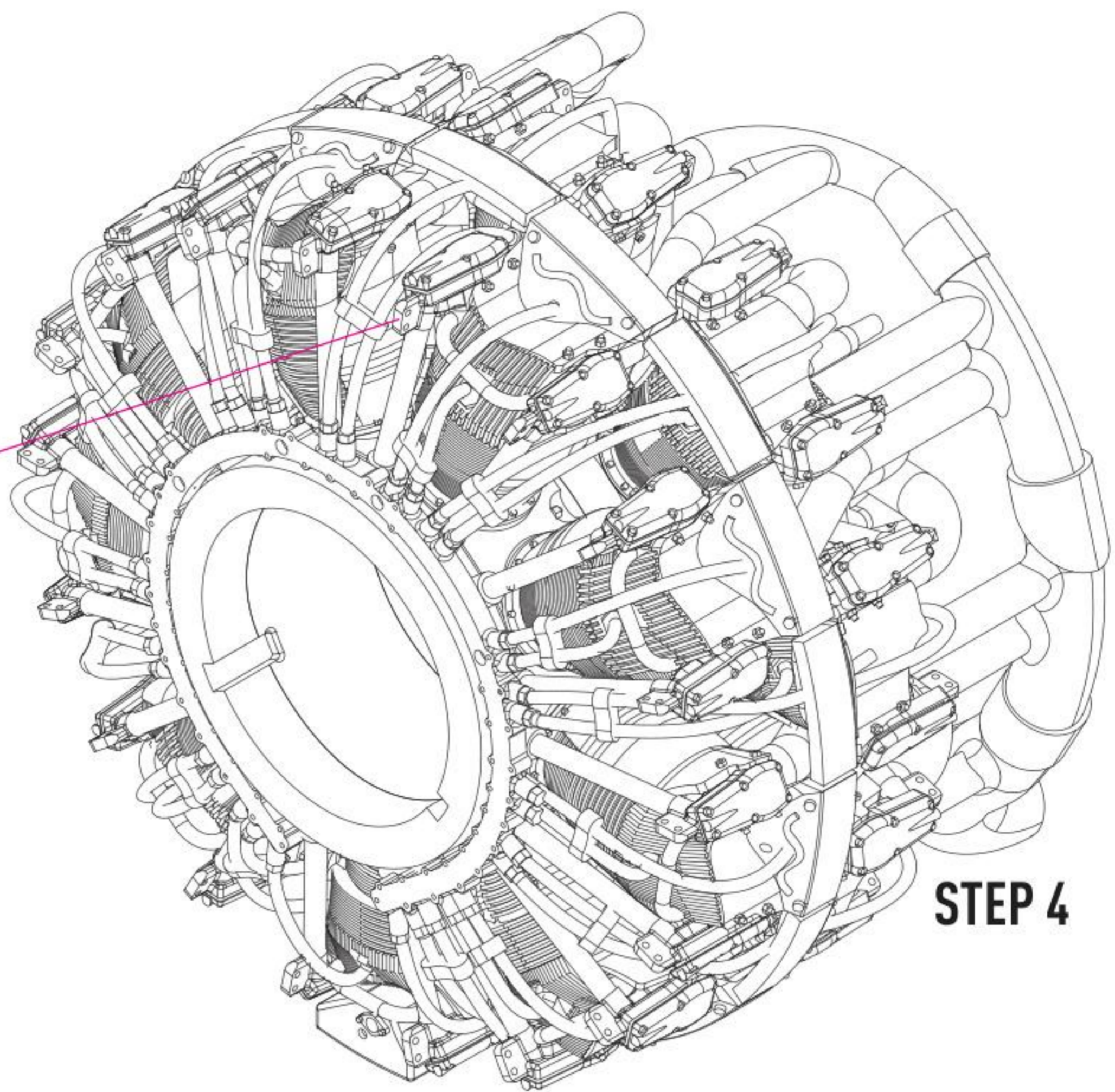
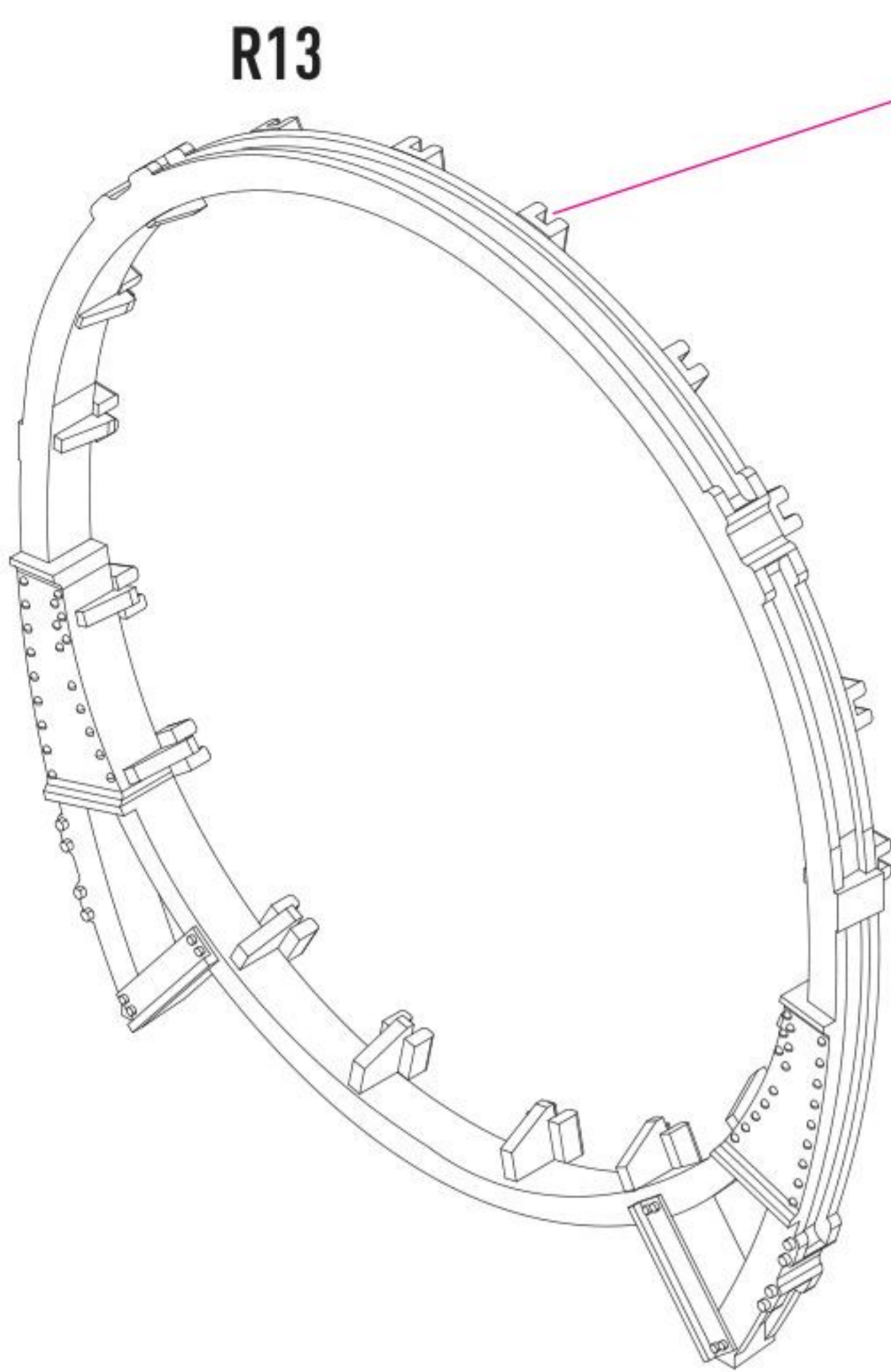
3



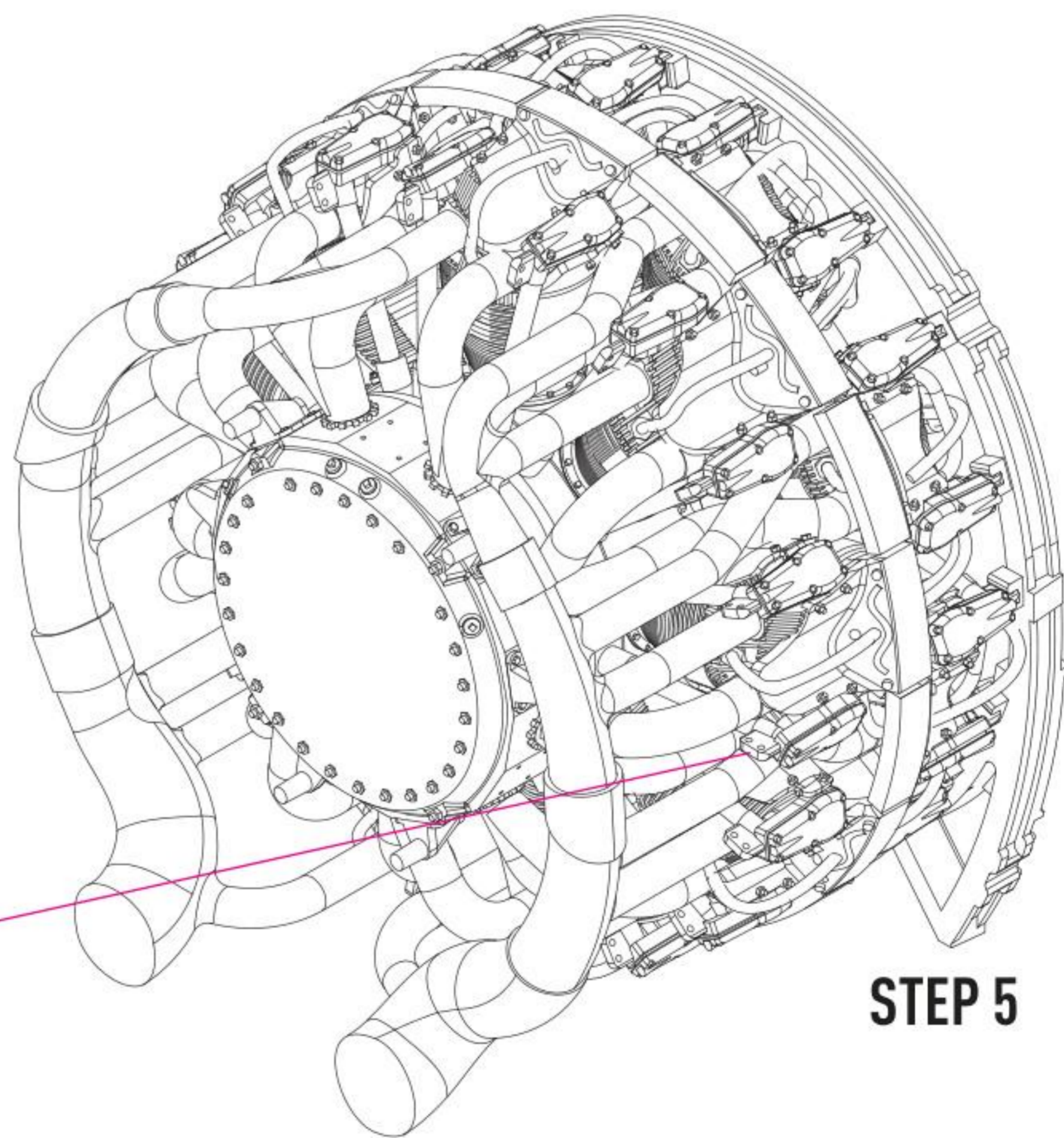
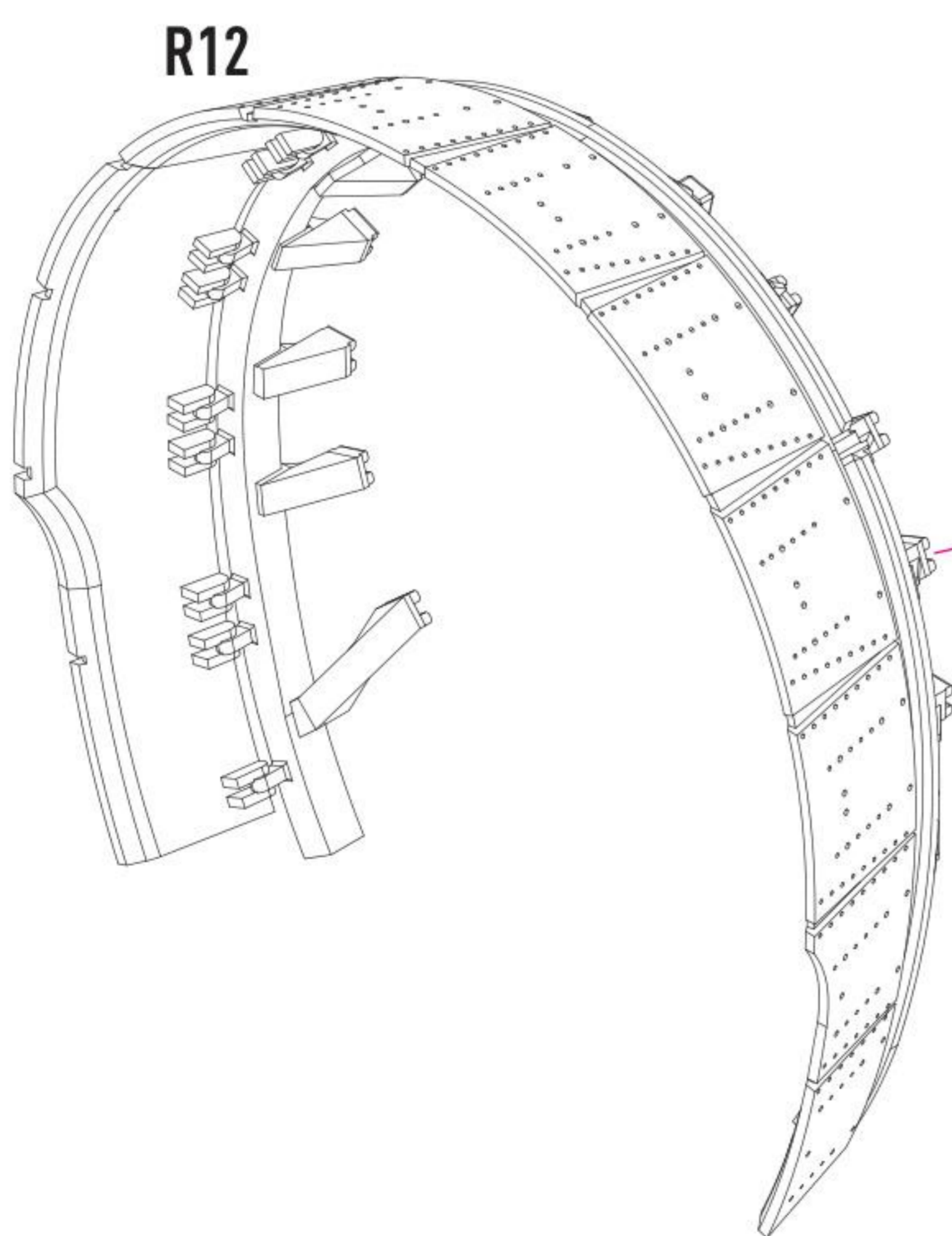
4



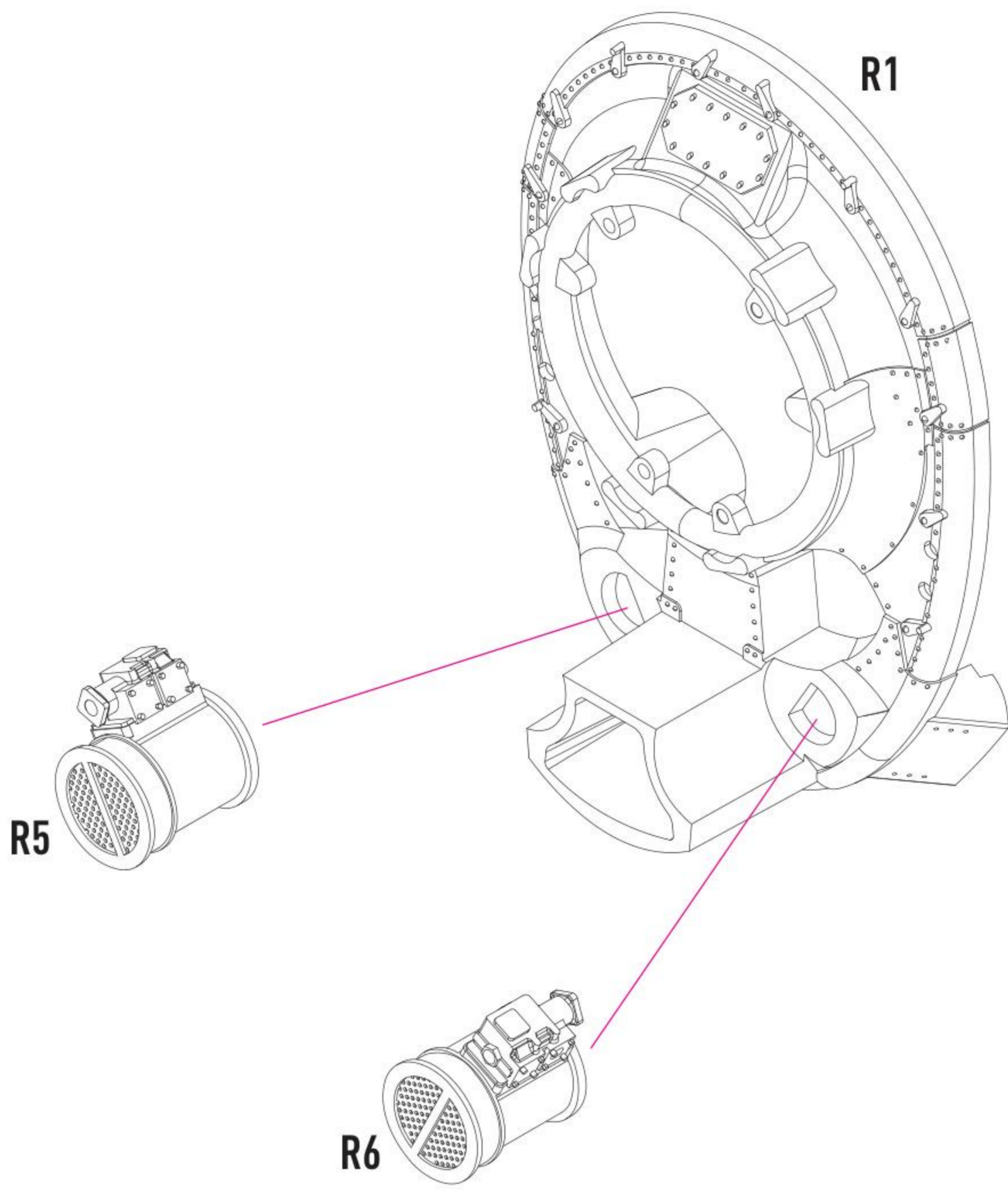
5



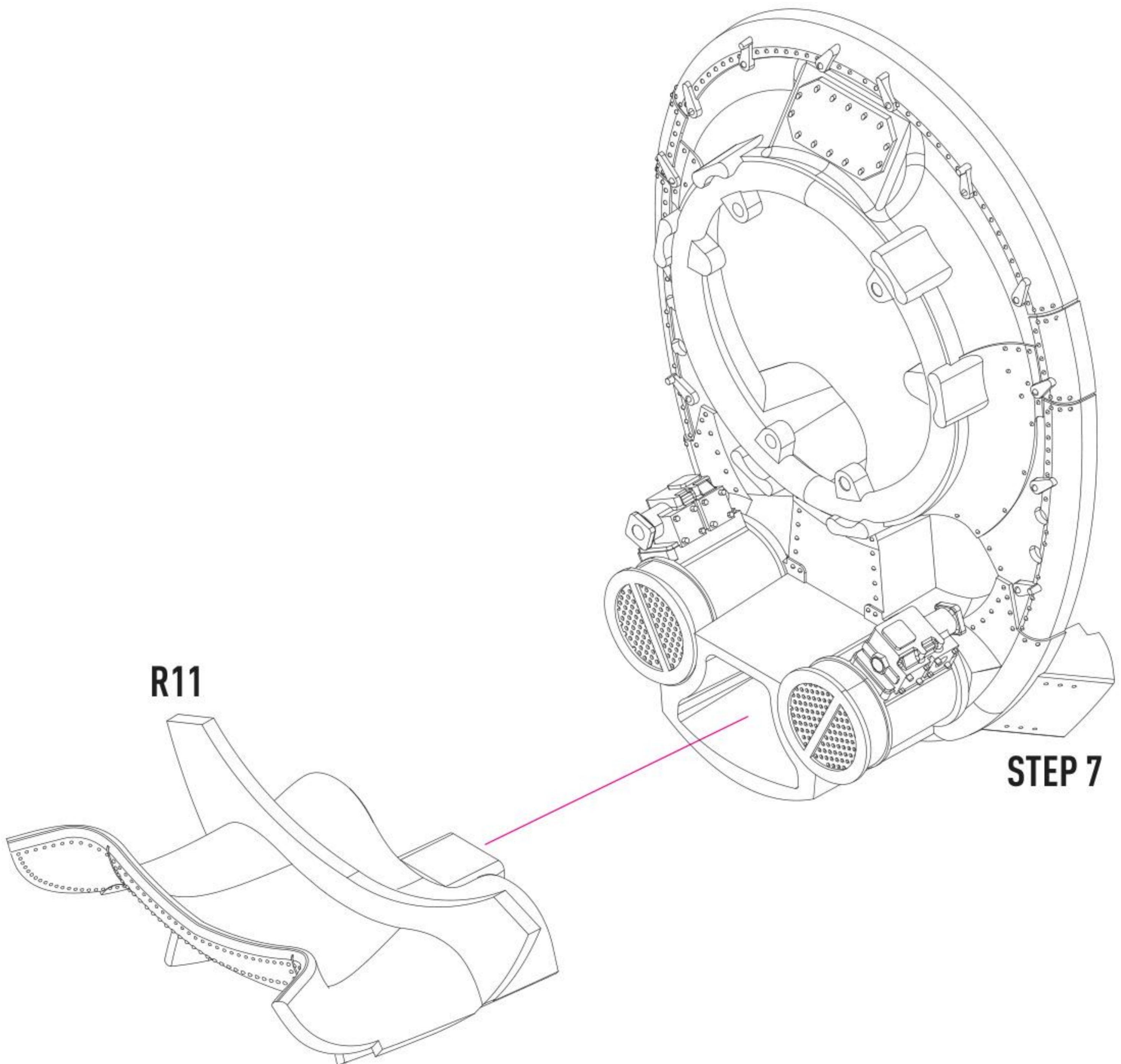
6



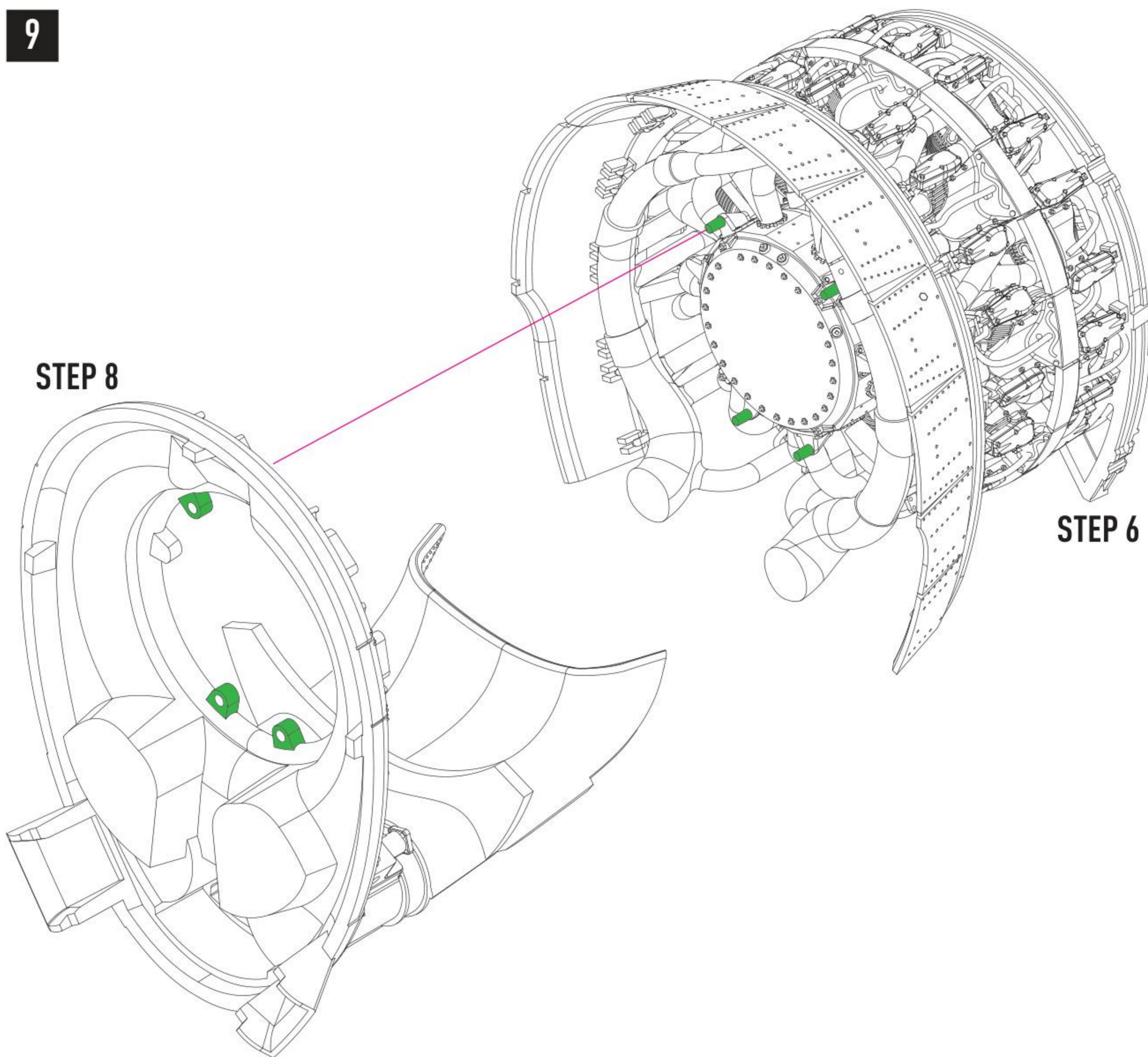
7



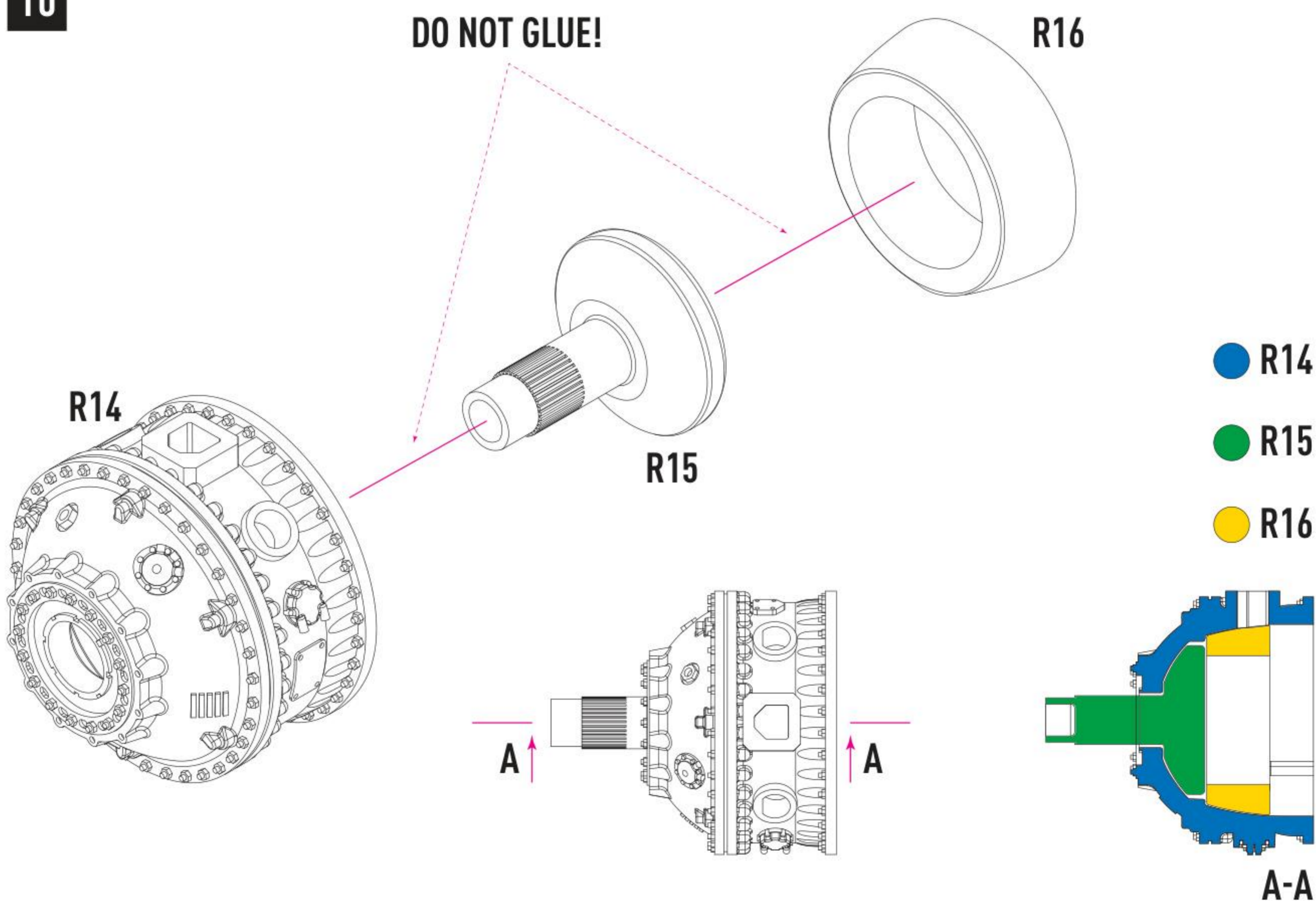
8



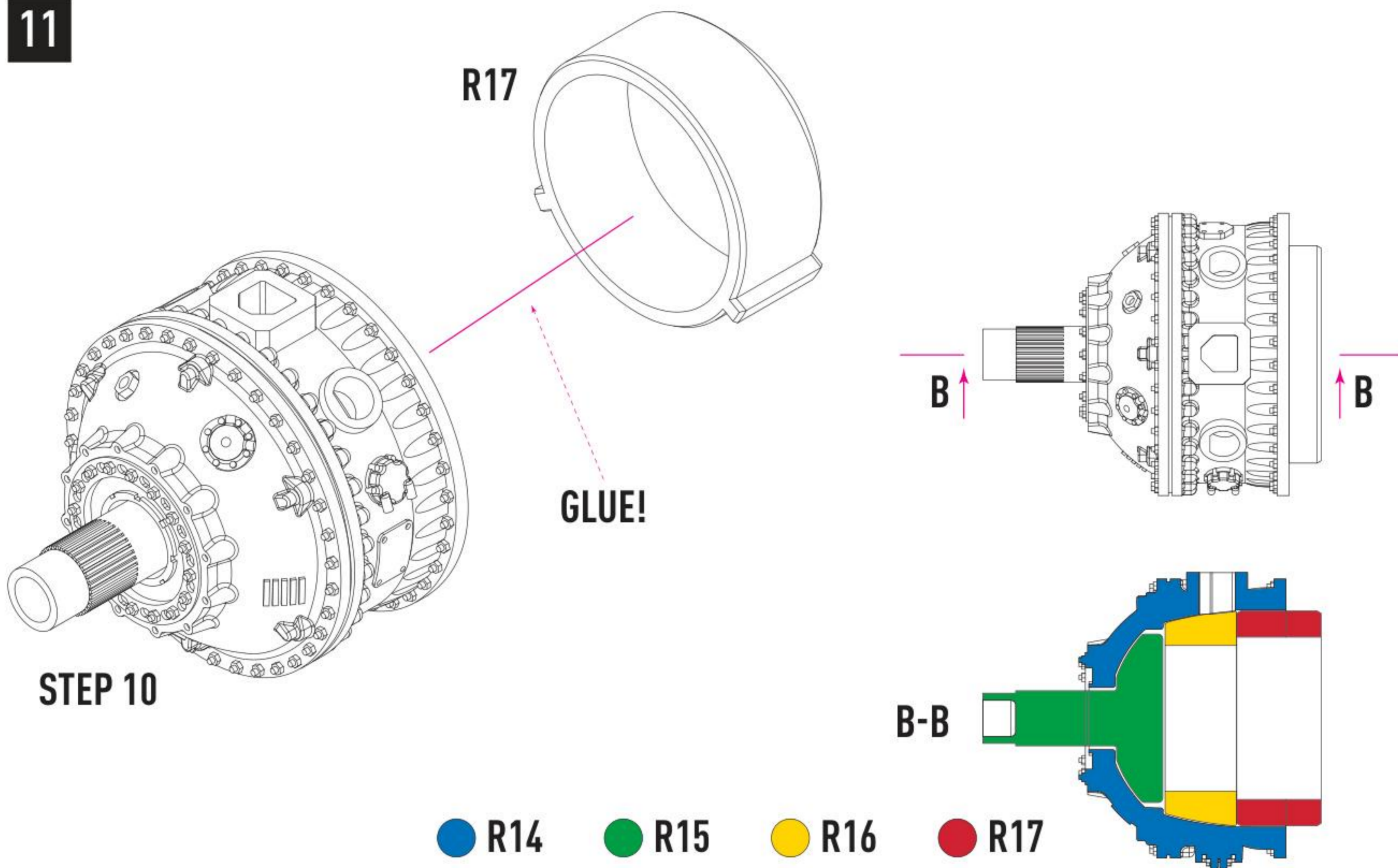
9



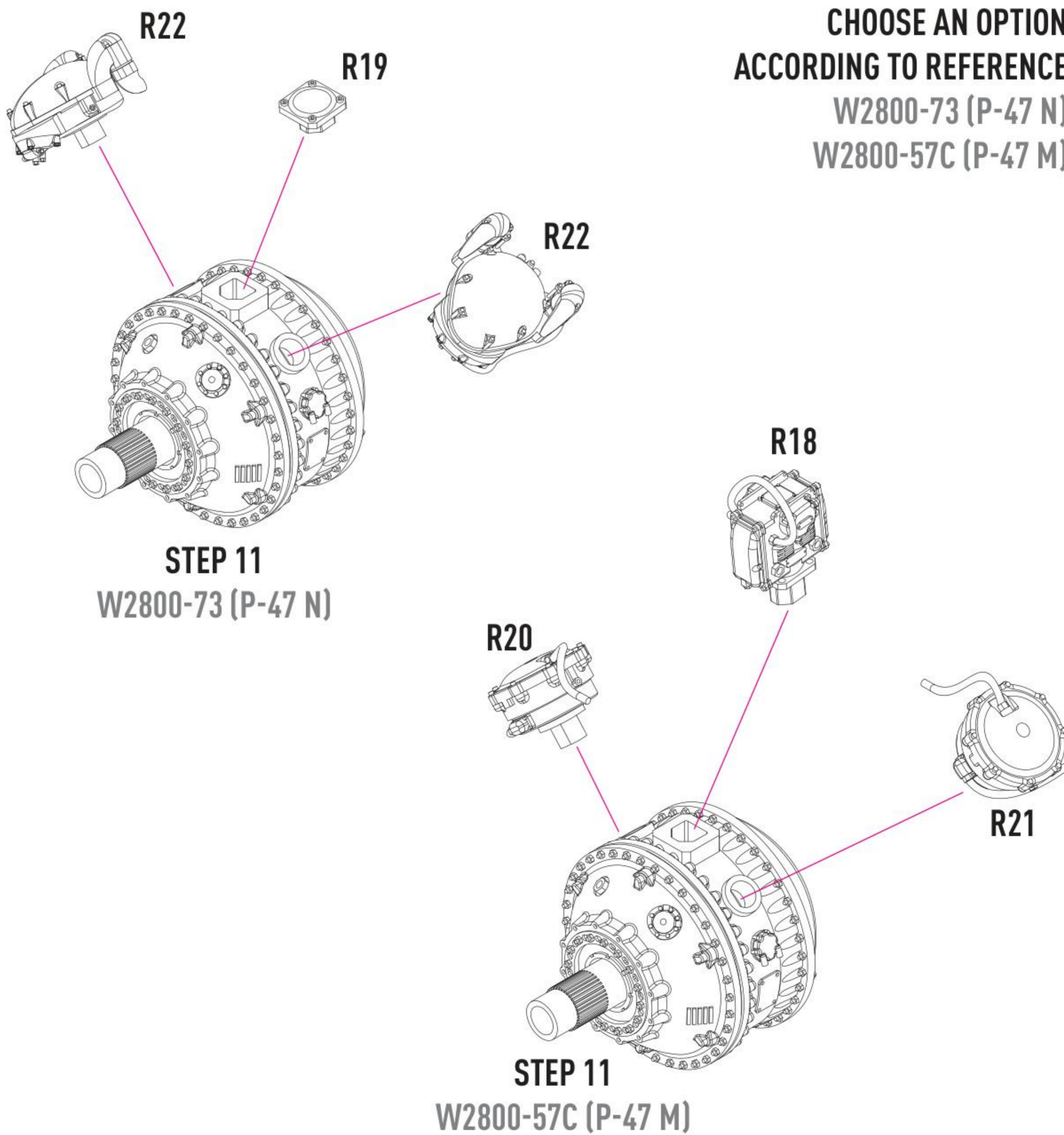
10



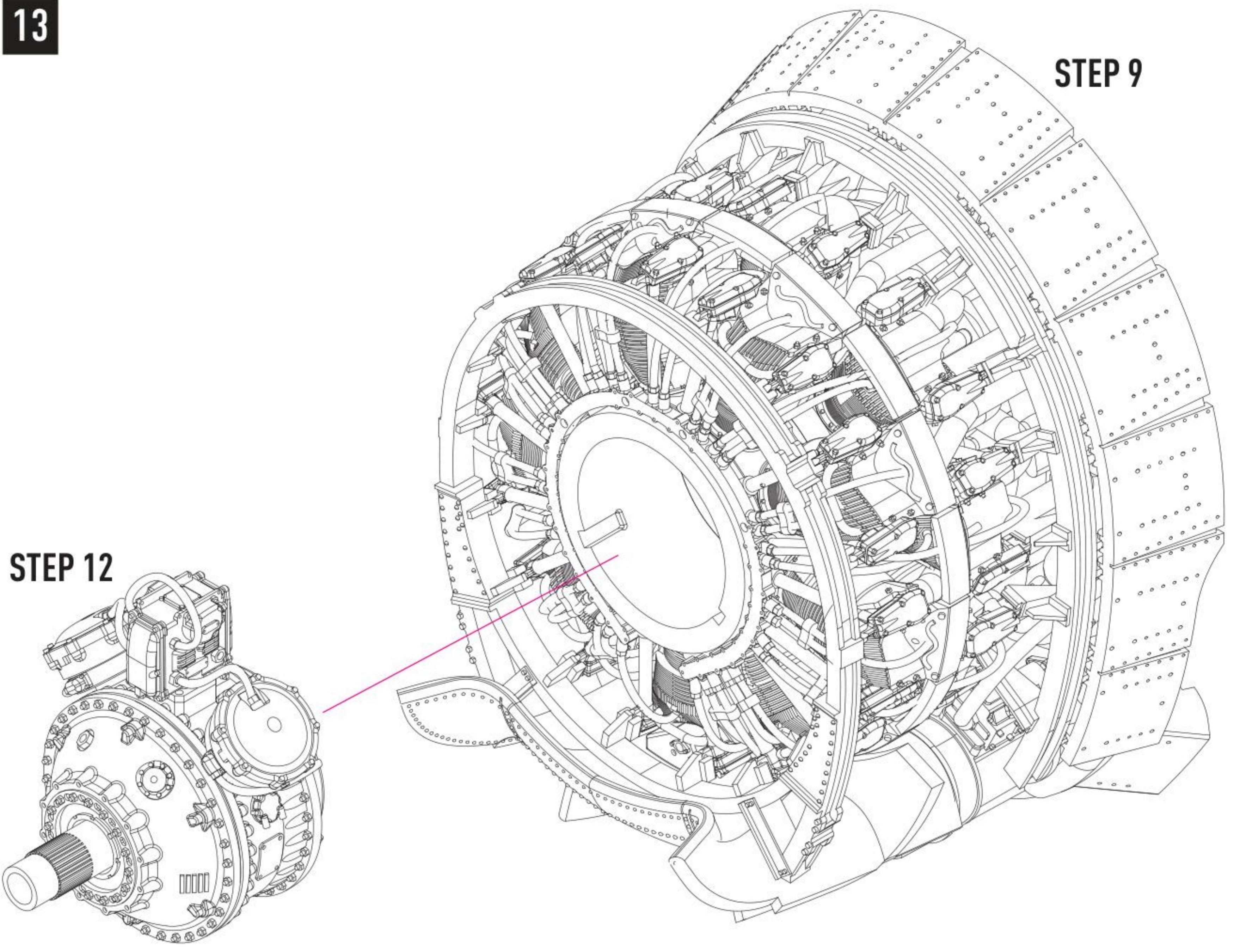
11



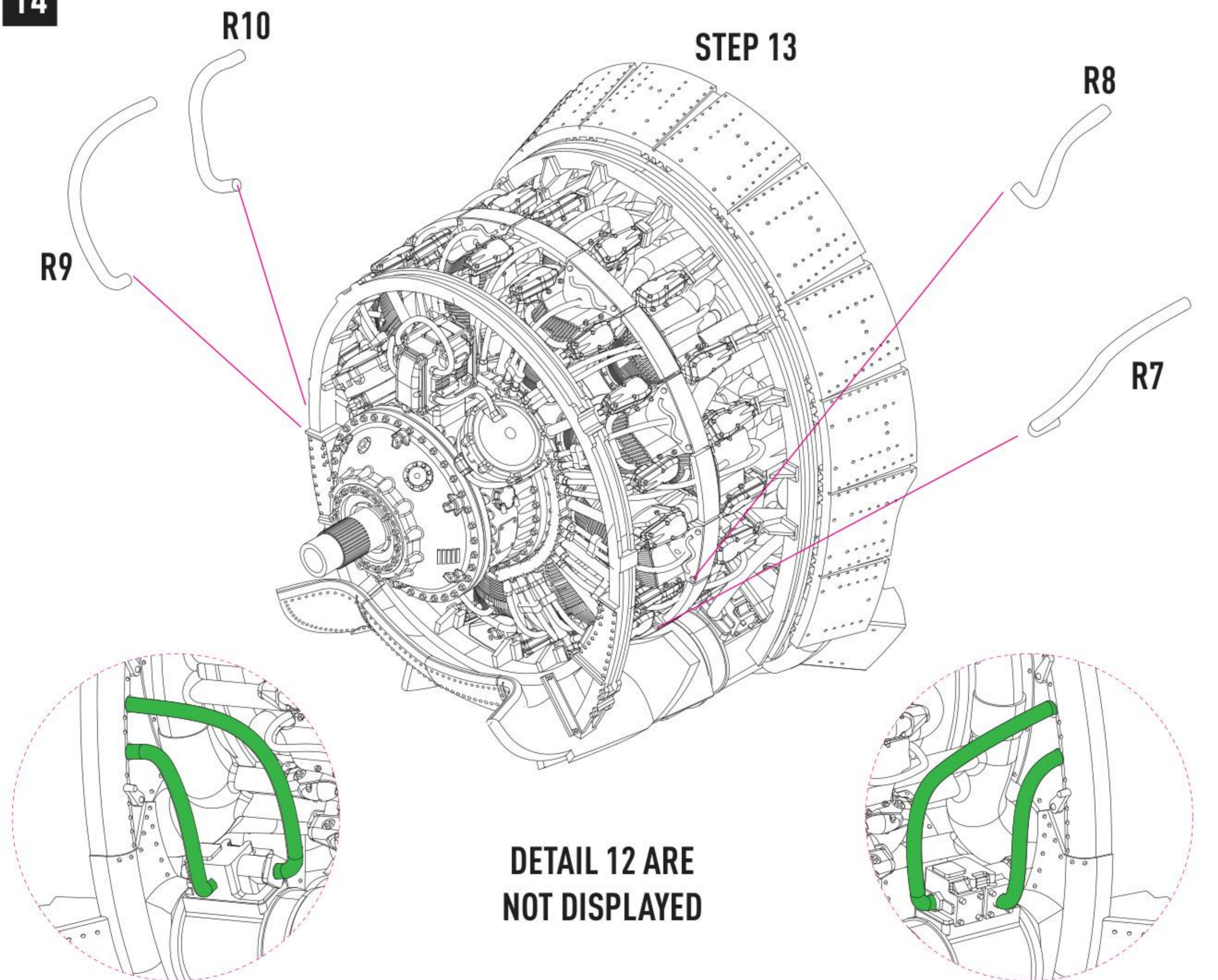
12



13



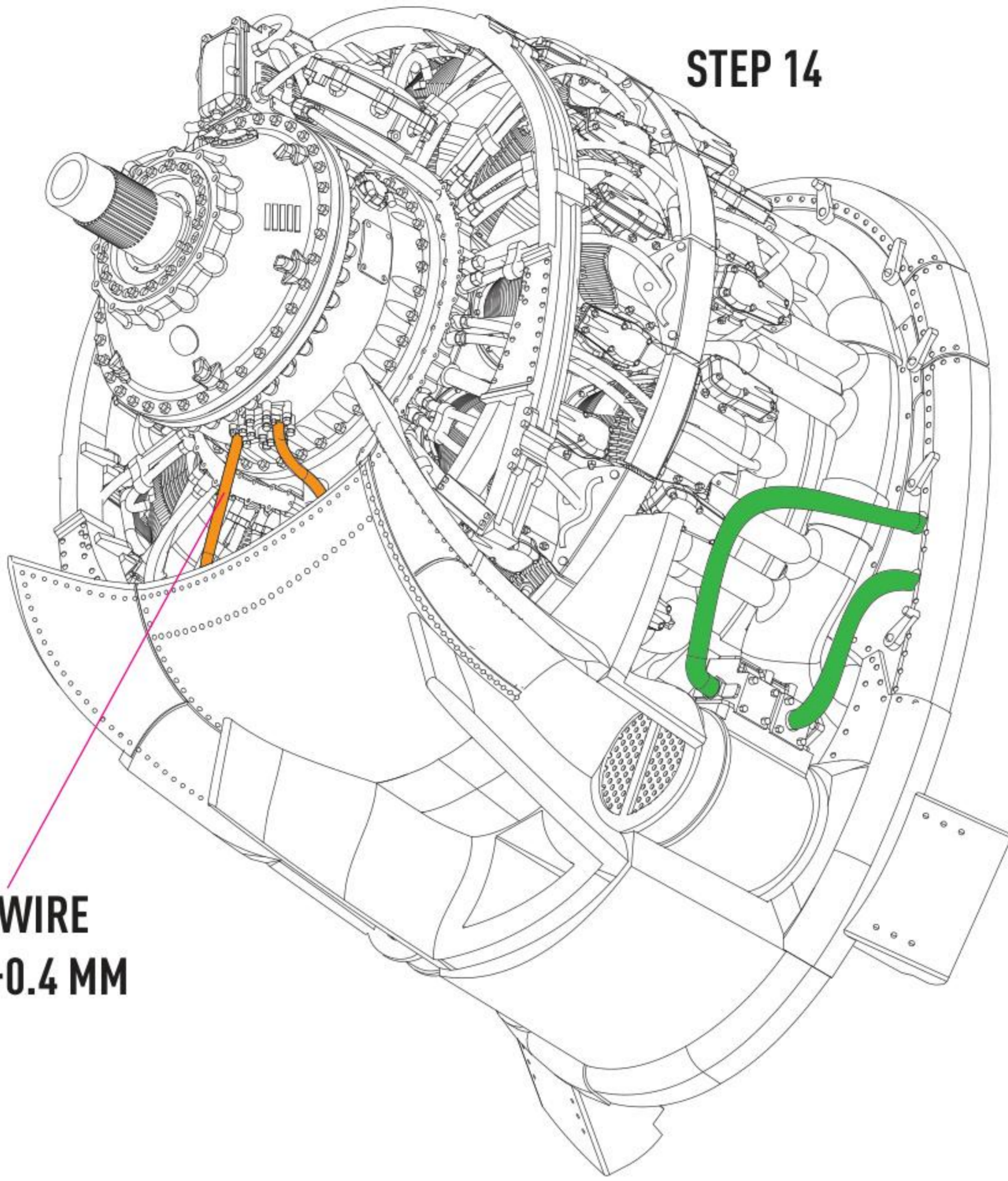
14



15

STEP 14

USE WIRE
D=0.3-0.4 MM

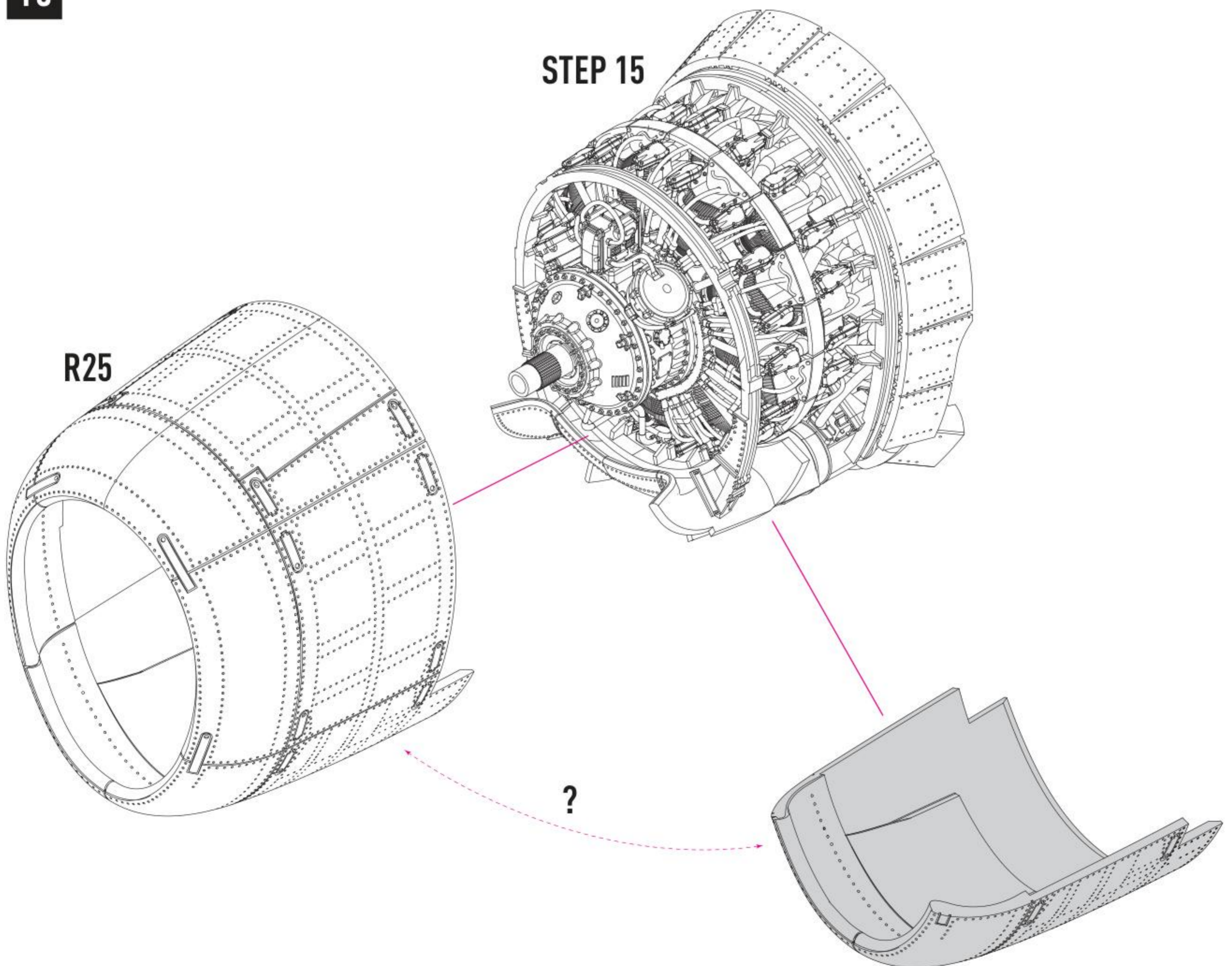


16

STEP 15

R25

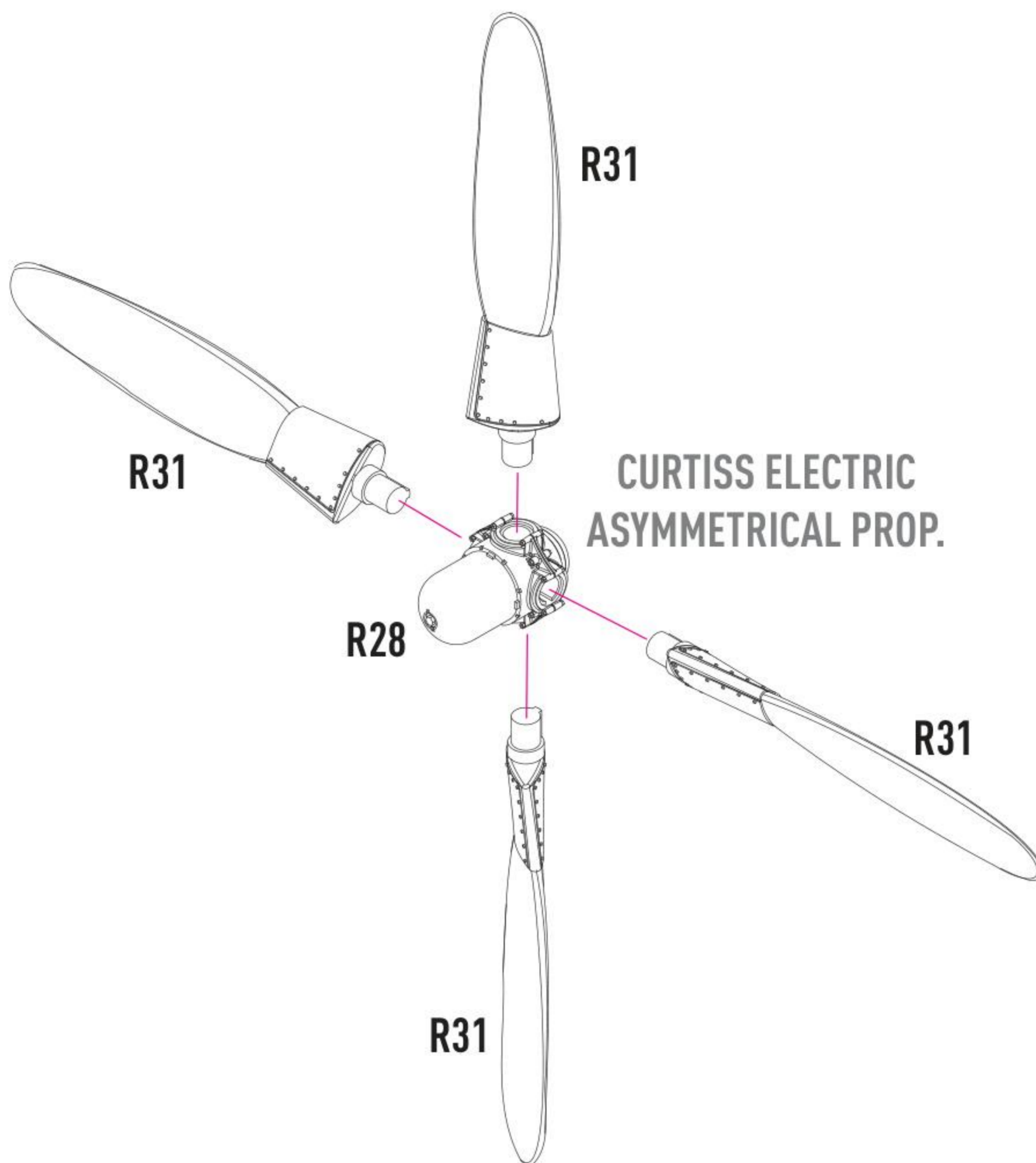
?



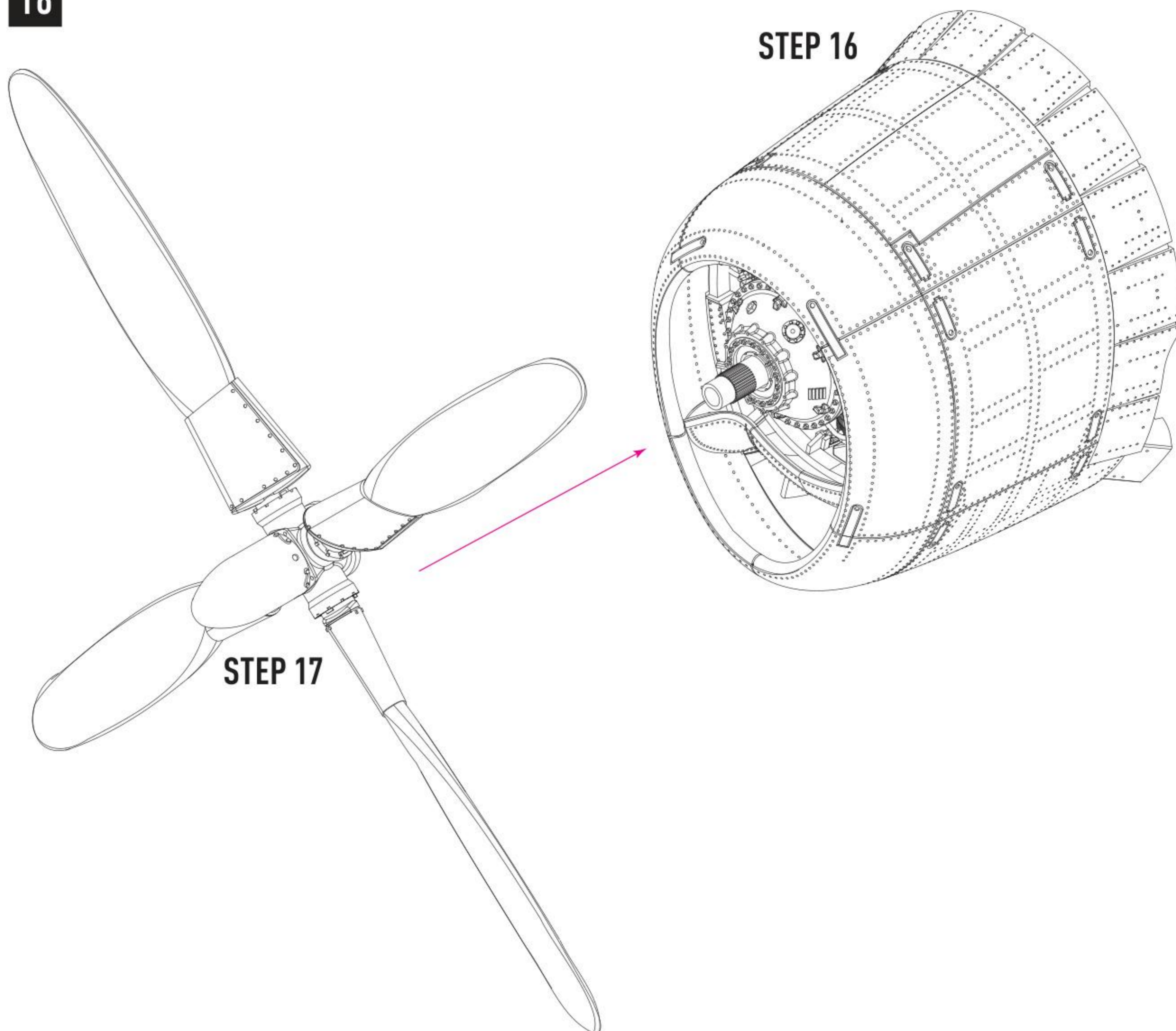
USE PART 25 FROM RESKIT KIT FOR CLOSED HOOD
USE PART A8 FROM MINIART KIT FOR OPEN HOOD

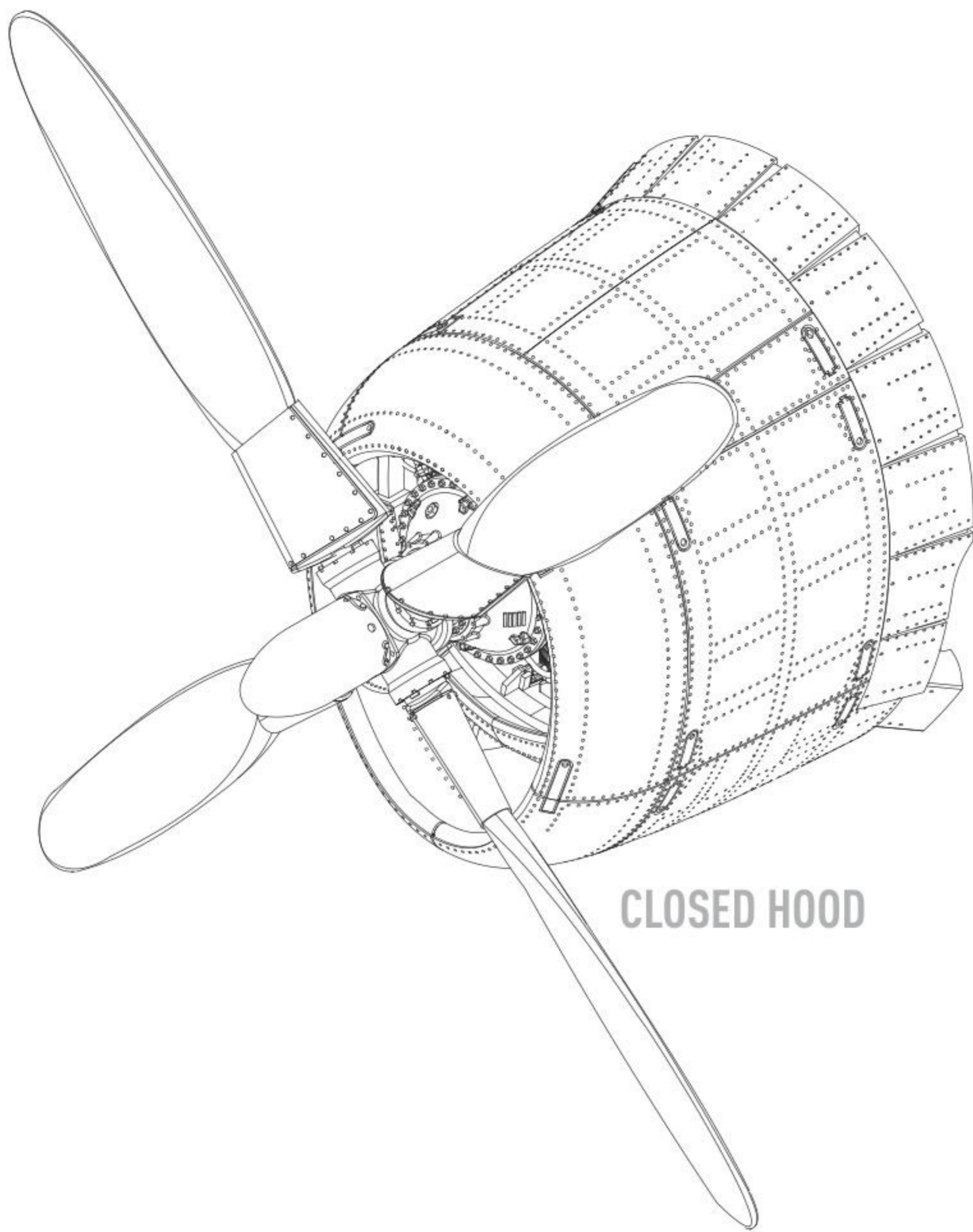
PART A8 FROM
MINIART KIT

17

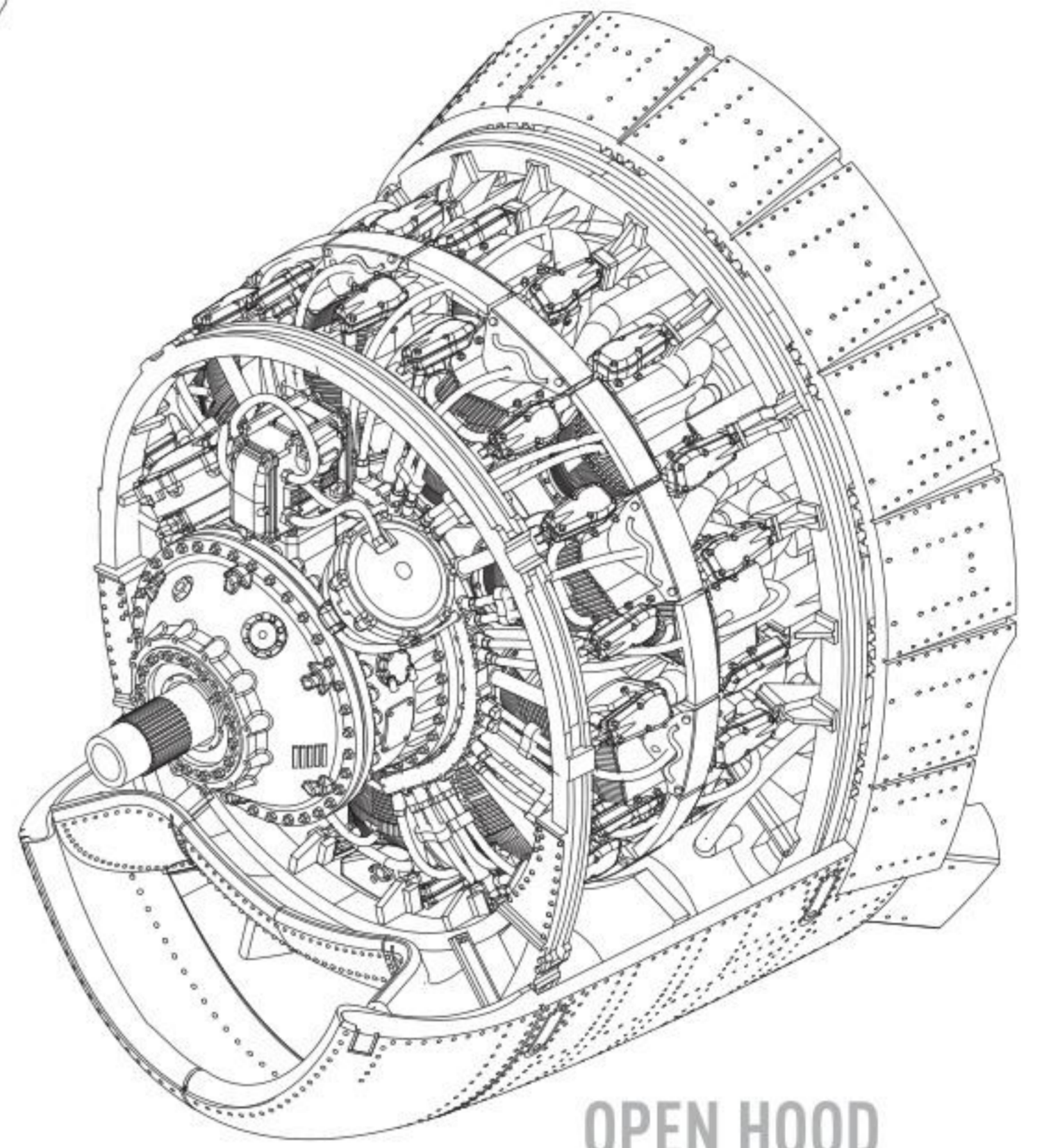


18





CLOSED HOOD



OPEN HOOD

DECALS INSTRUCTION

CURTISS ELECTRIC ASYMMETRICAL PROP.

03 **04** **05** **R22** **06** **09** **09** **R18** **10**

ENGINE GRAY H339 C339

ALUMINIUM MC212

03 **04** **04** **03** **07** **R14** **08**

POLISHED ALUMINIUM MC218 **03** **04** **03** **YELLOW** H4 C4 **08**

FLAT BLACK H12 C33 **03**

COLORS	GUNZE / AQUEOUS	GUNZE / MR.COLOR
FLAT BLACK	H12	C33
ENGINE GRAY	H339	C339
ALUMINIUM		MC212
POLISHED ALUMINIUM		MC218
YELLOW	H4	C4

**YOU CAN FIND INSTRUCTIONS
IN PDF FORMAT ON THE WEBSITE**

RESKIT-MODELS.COM

General Issues: info@reskit.com.ua

Wholesales: sales@reskit.com.ua

Claim Resolution: claims@reskit.com.ua