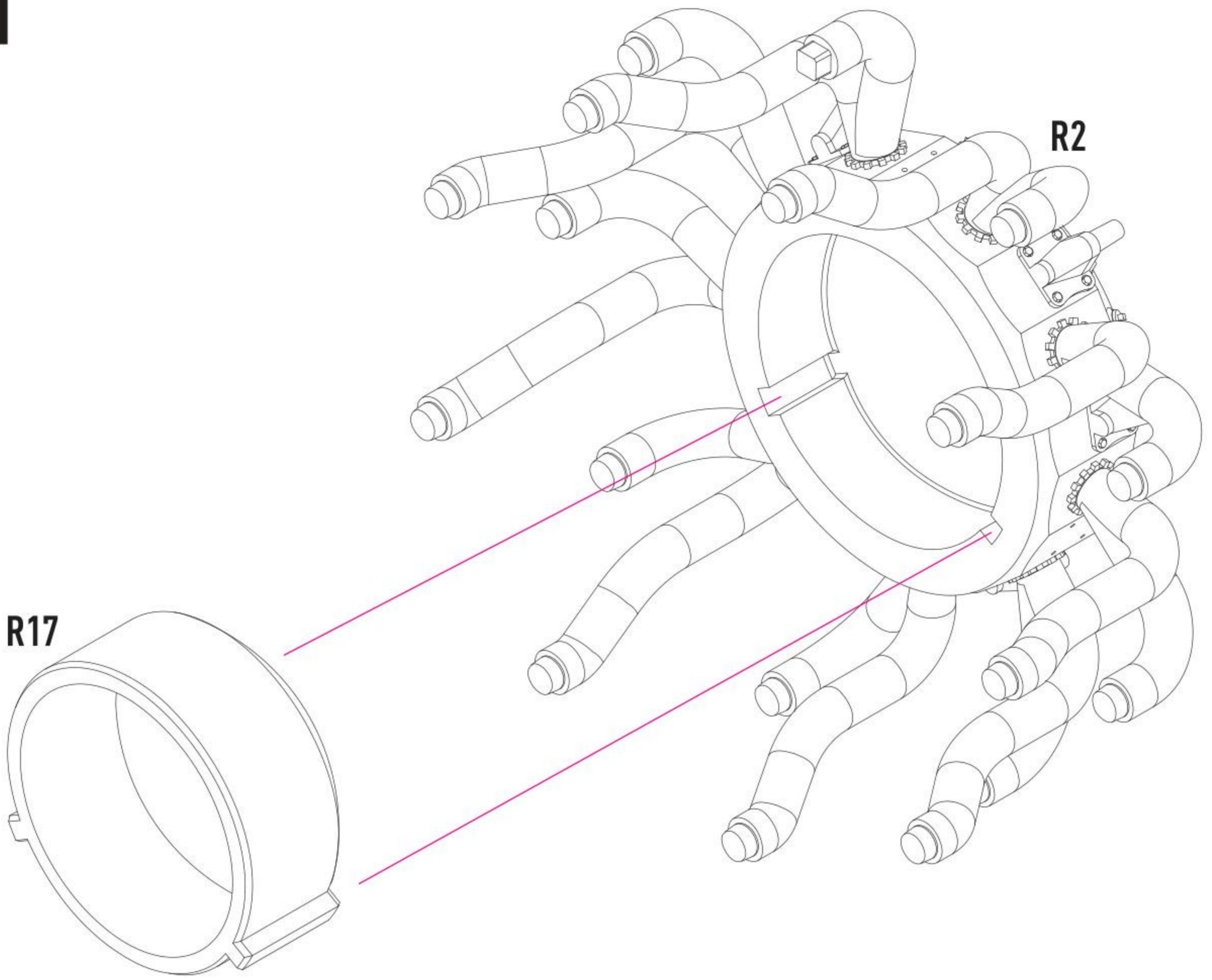
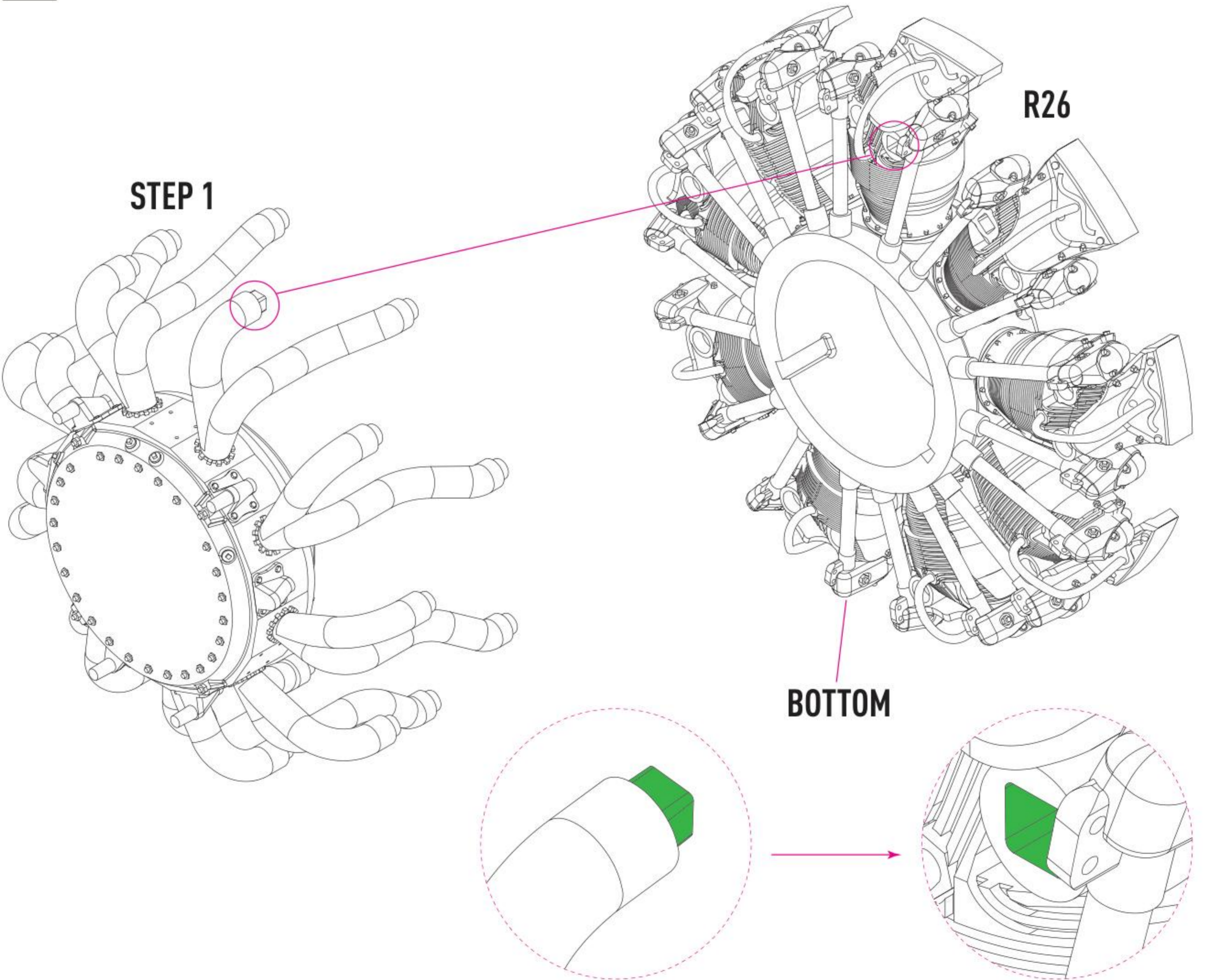


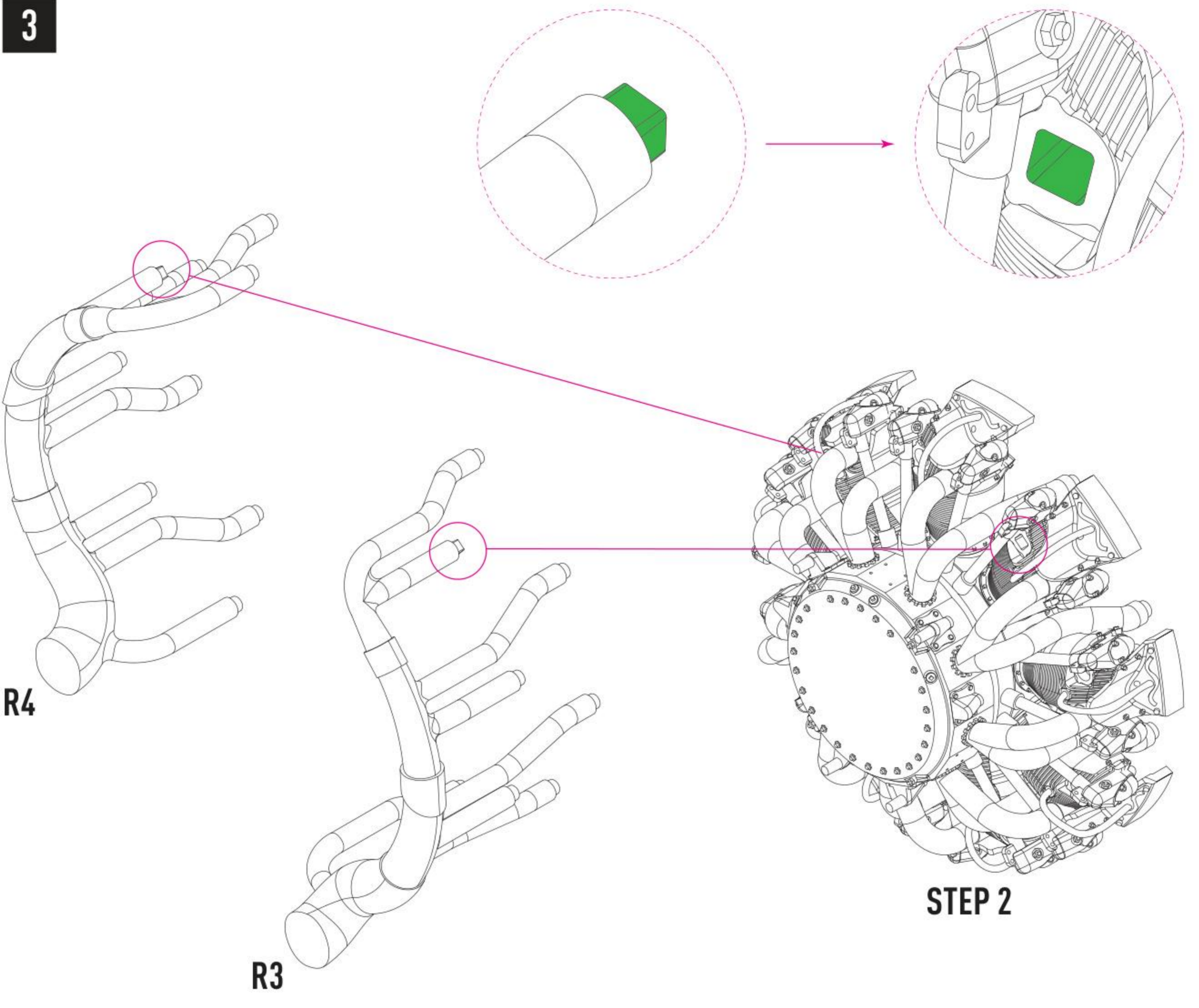
1



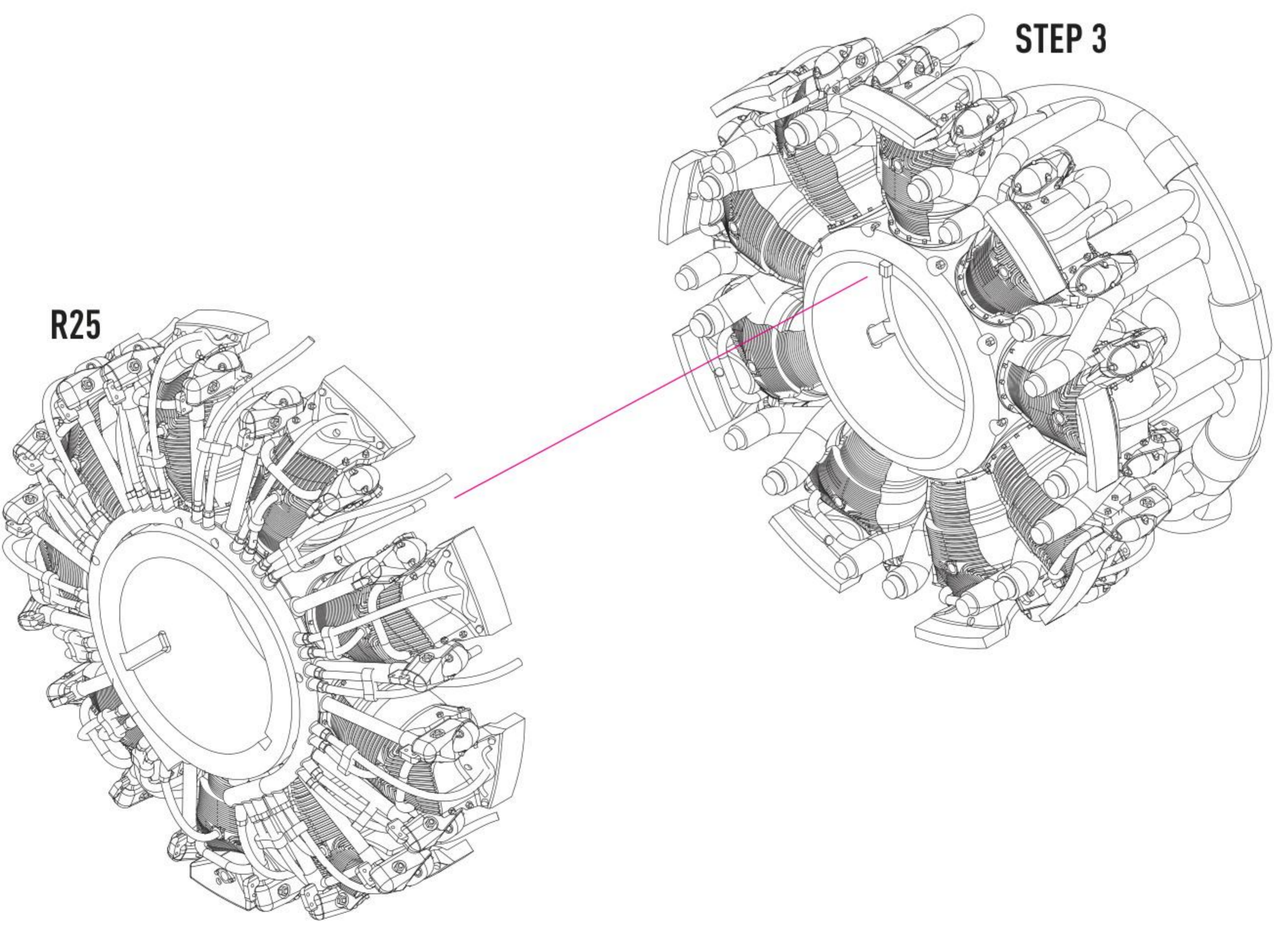
2



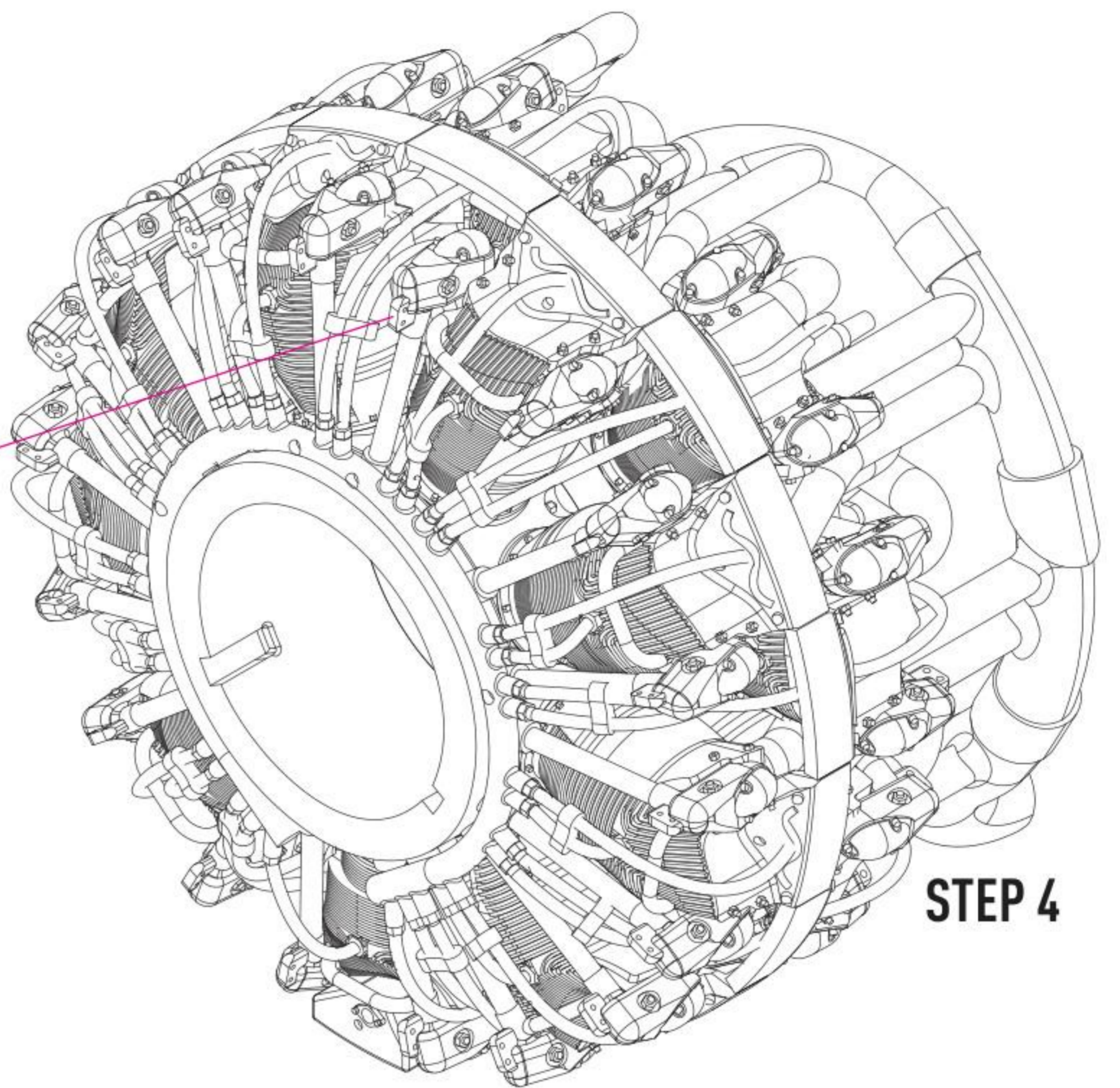
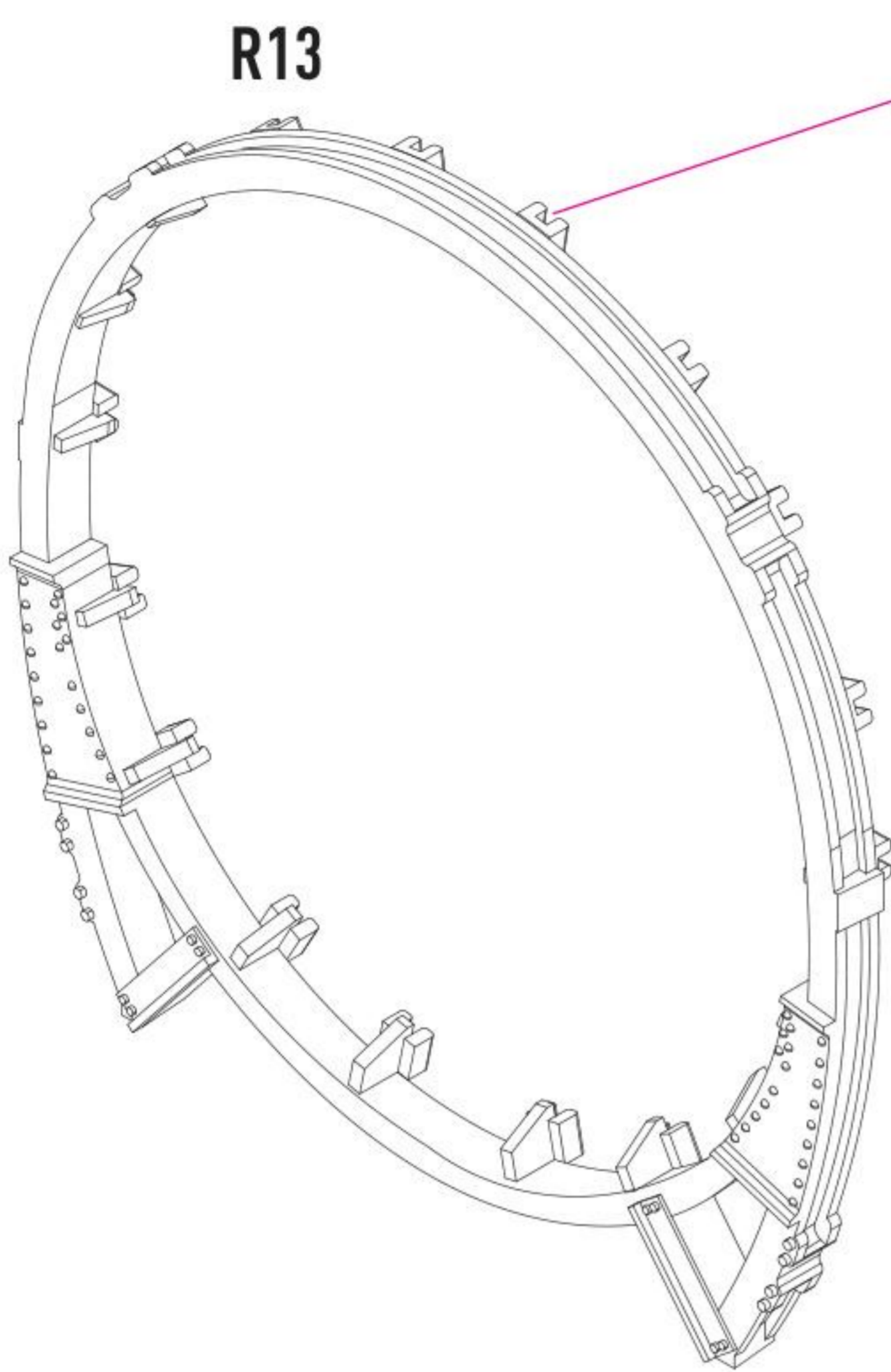
**3**



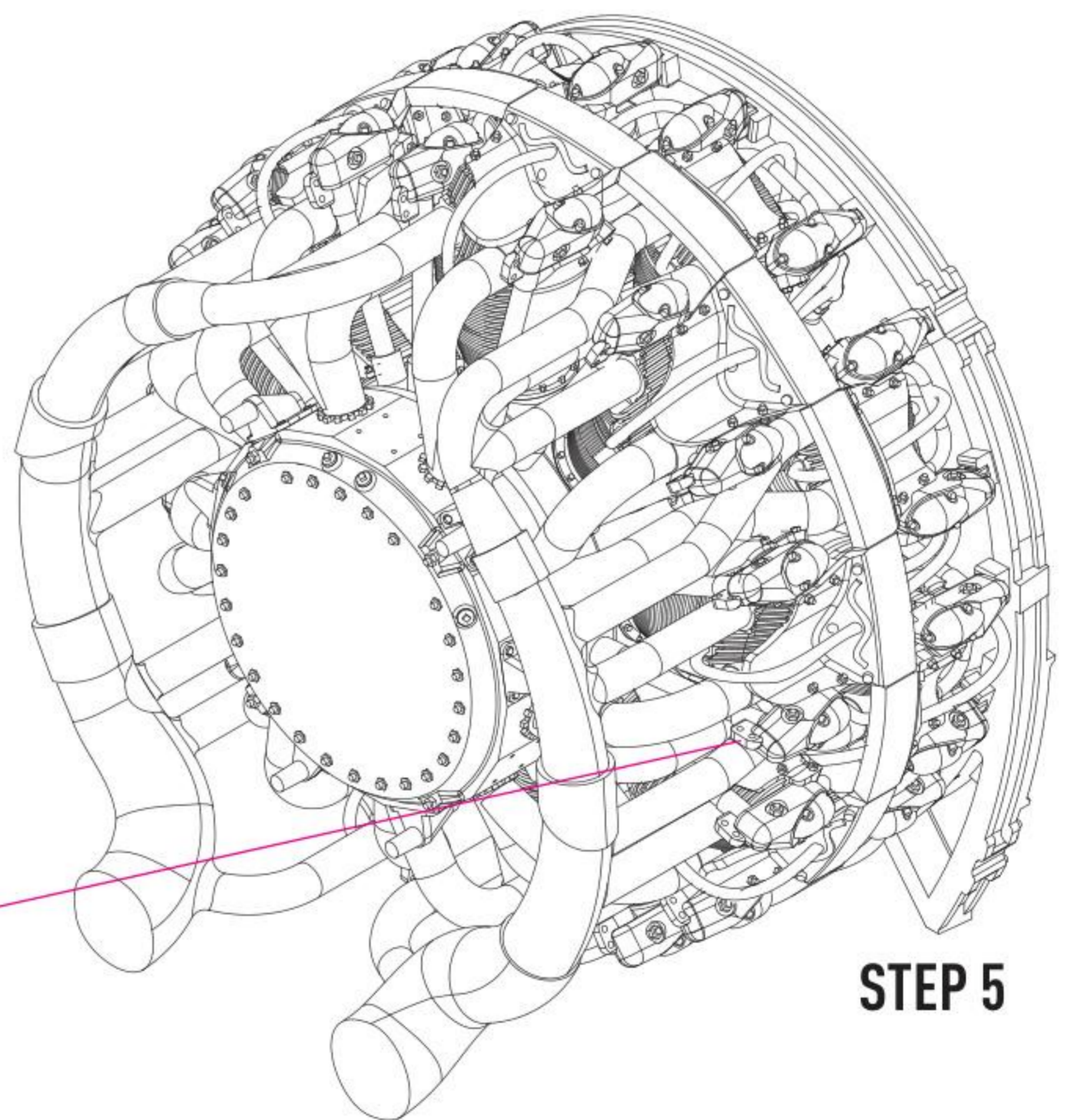
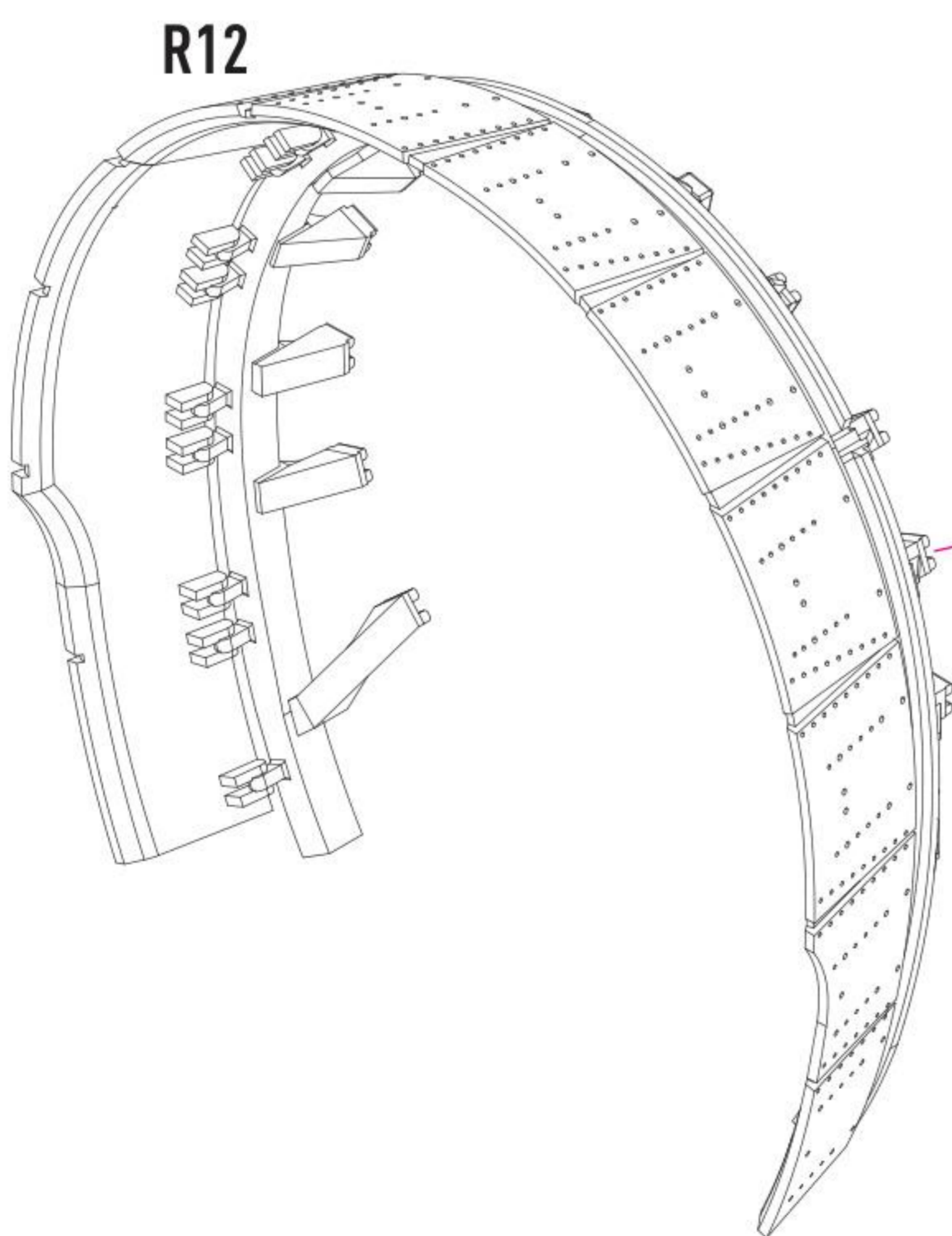
**4**



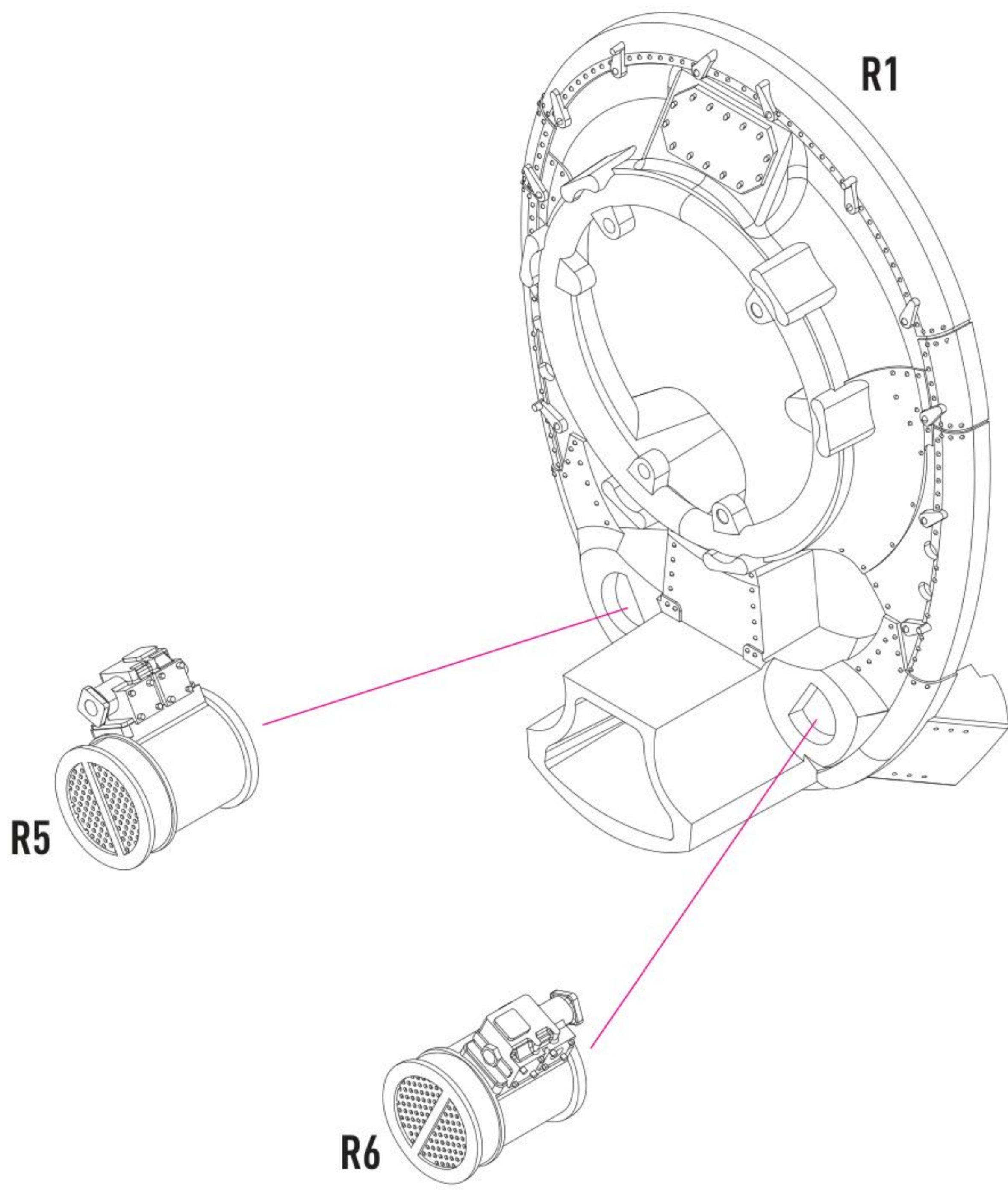
**5**



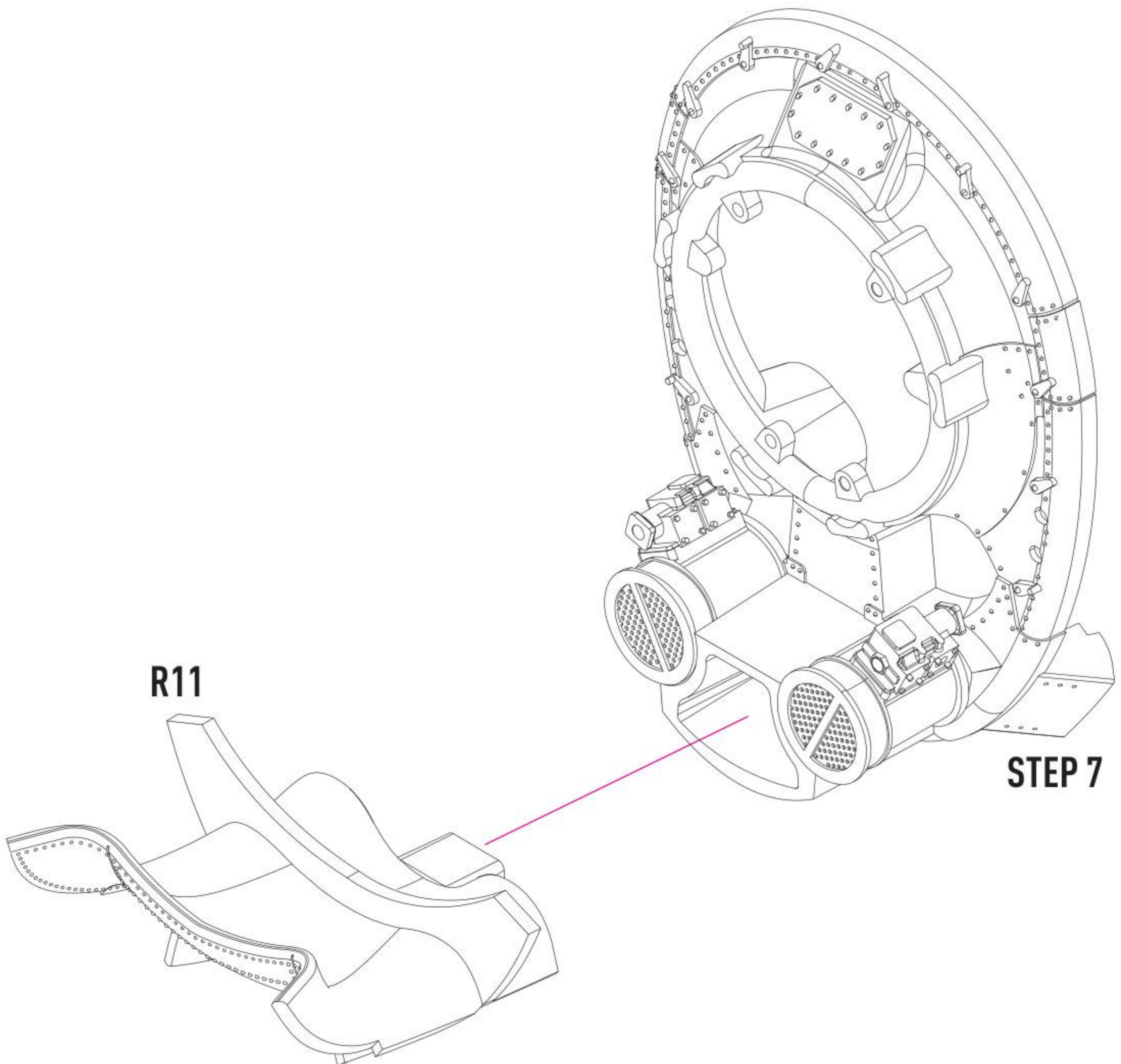
**6**

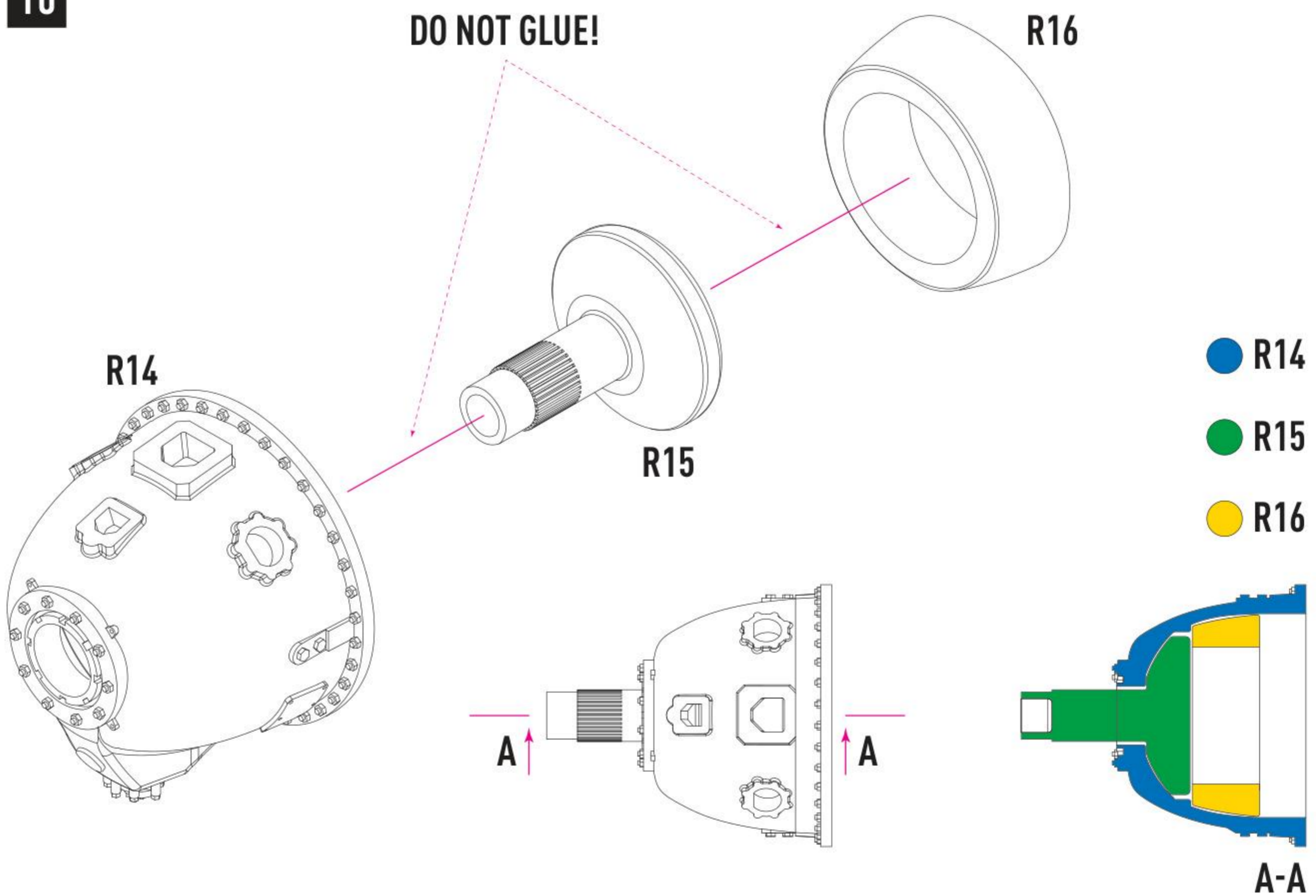
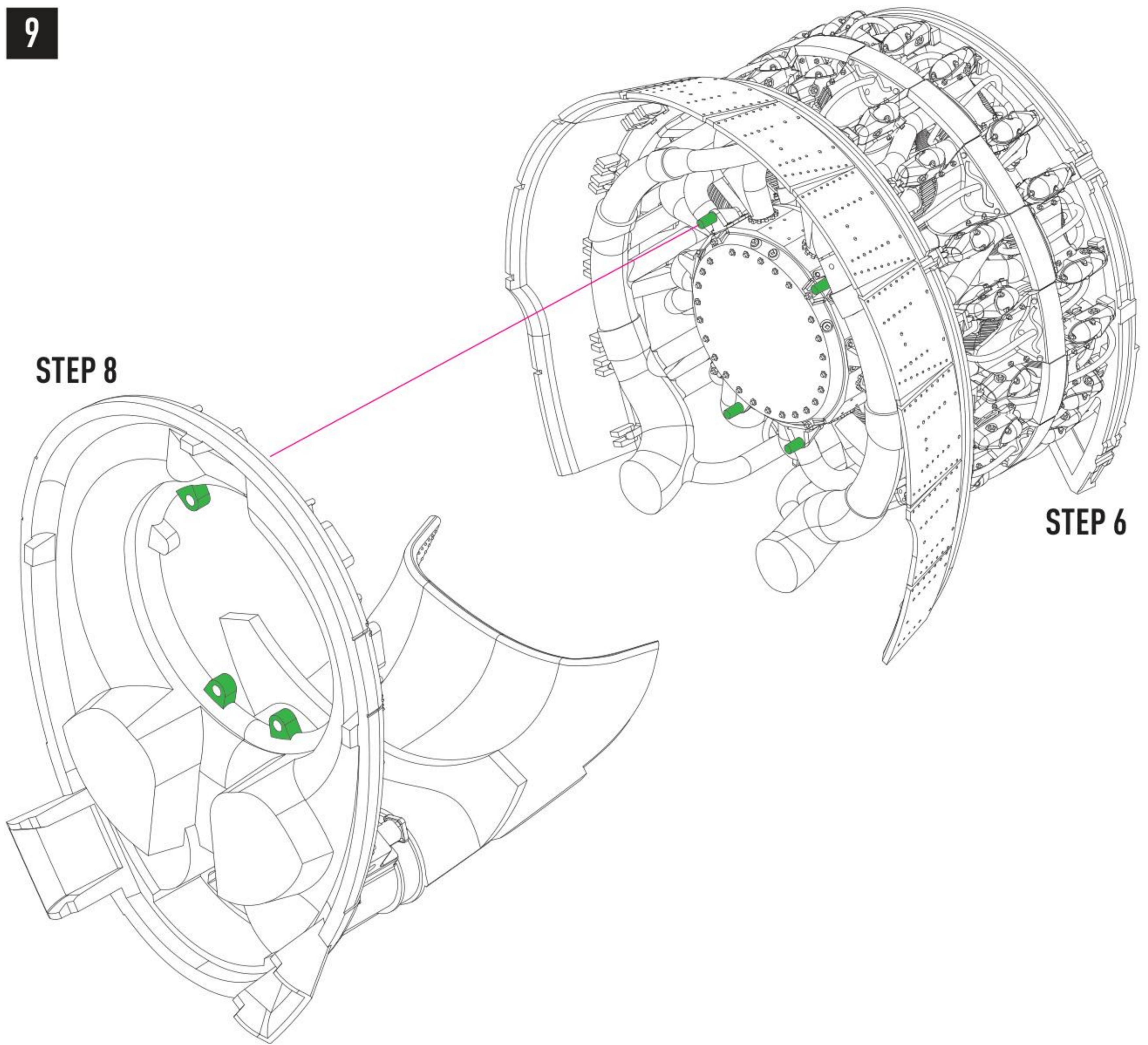


7

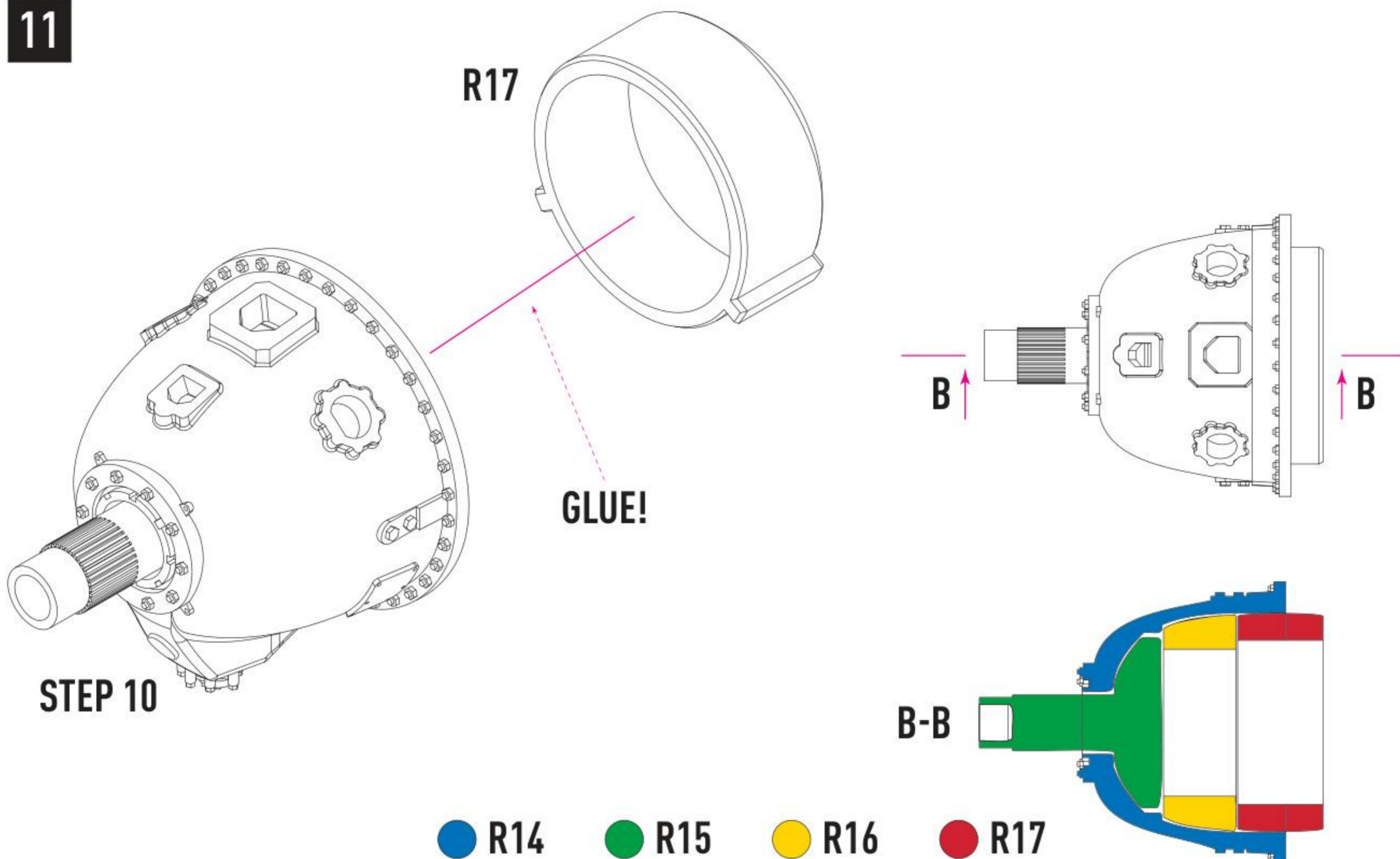


8

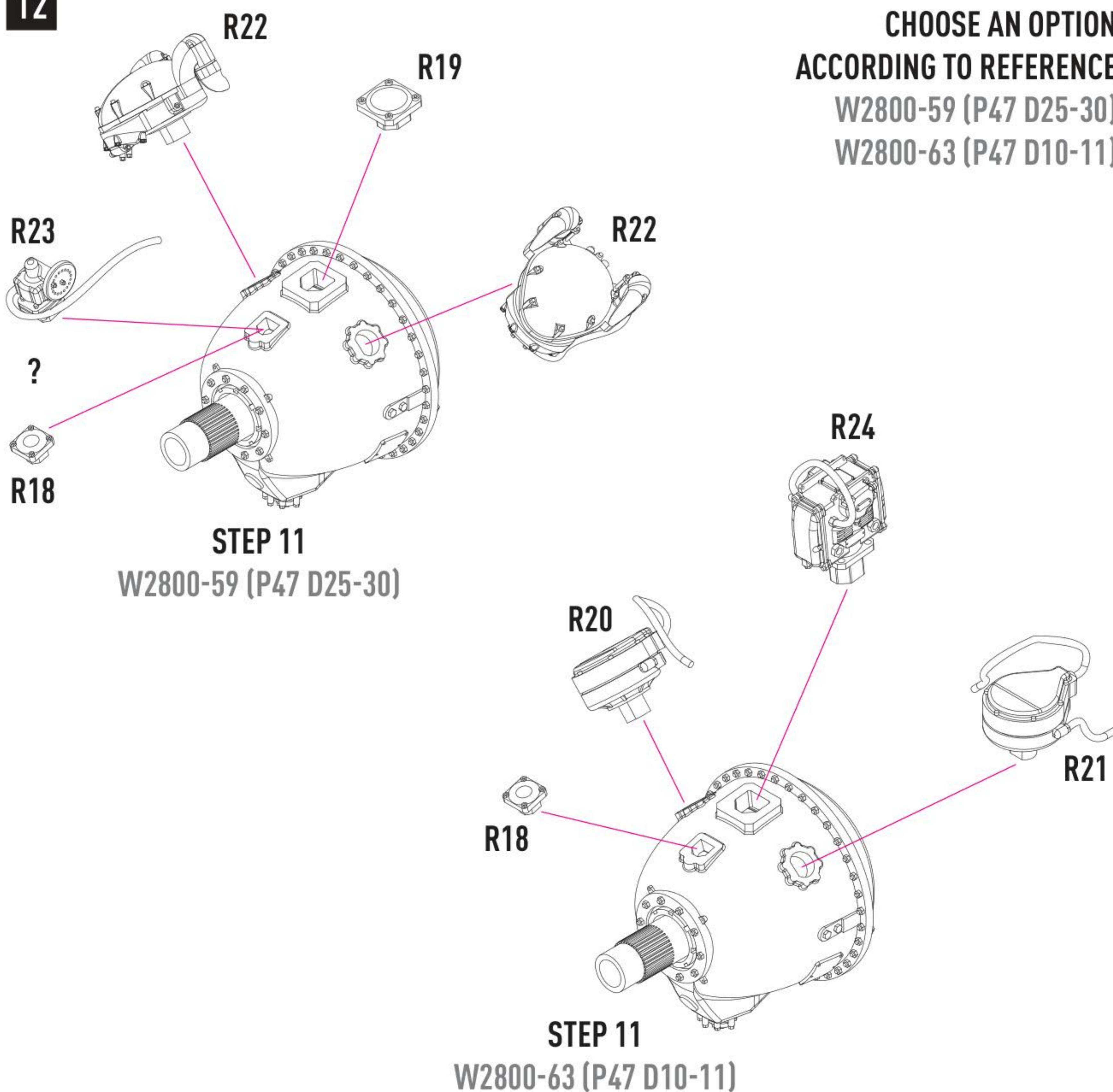


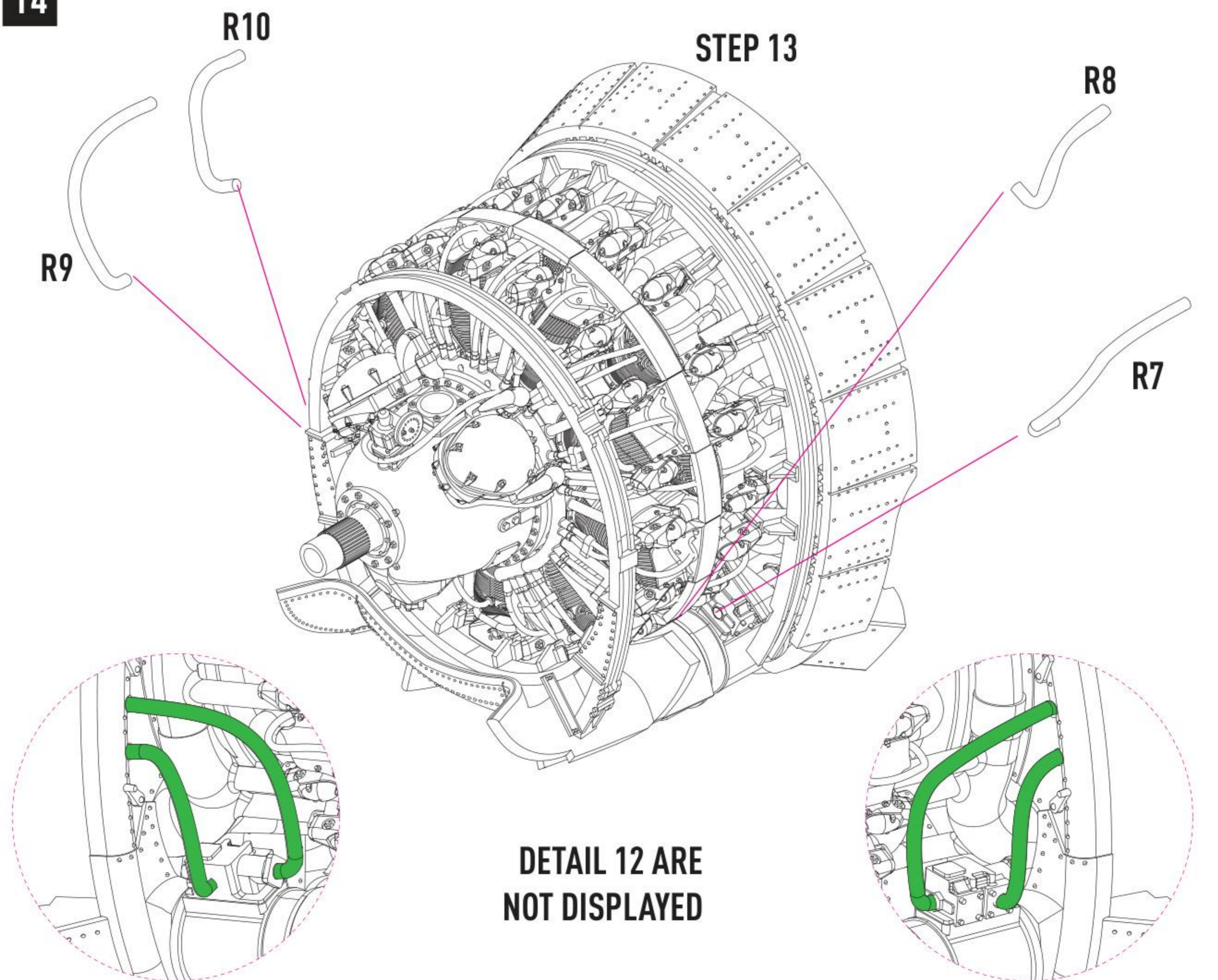
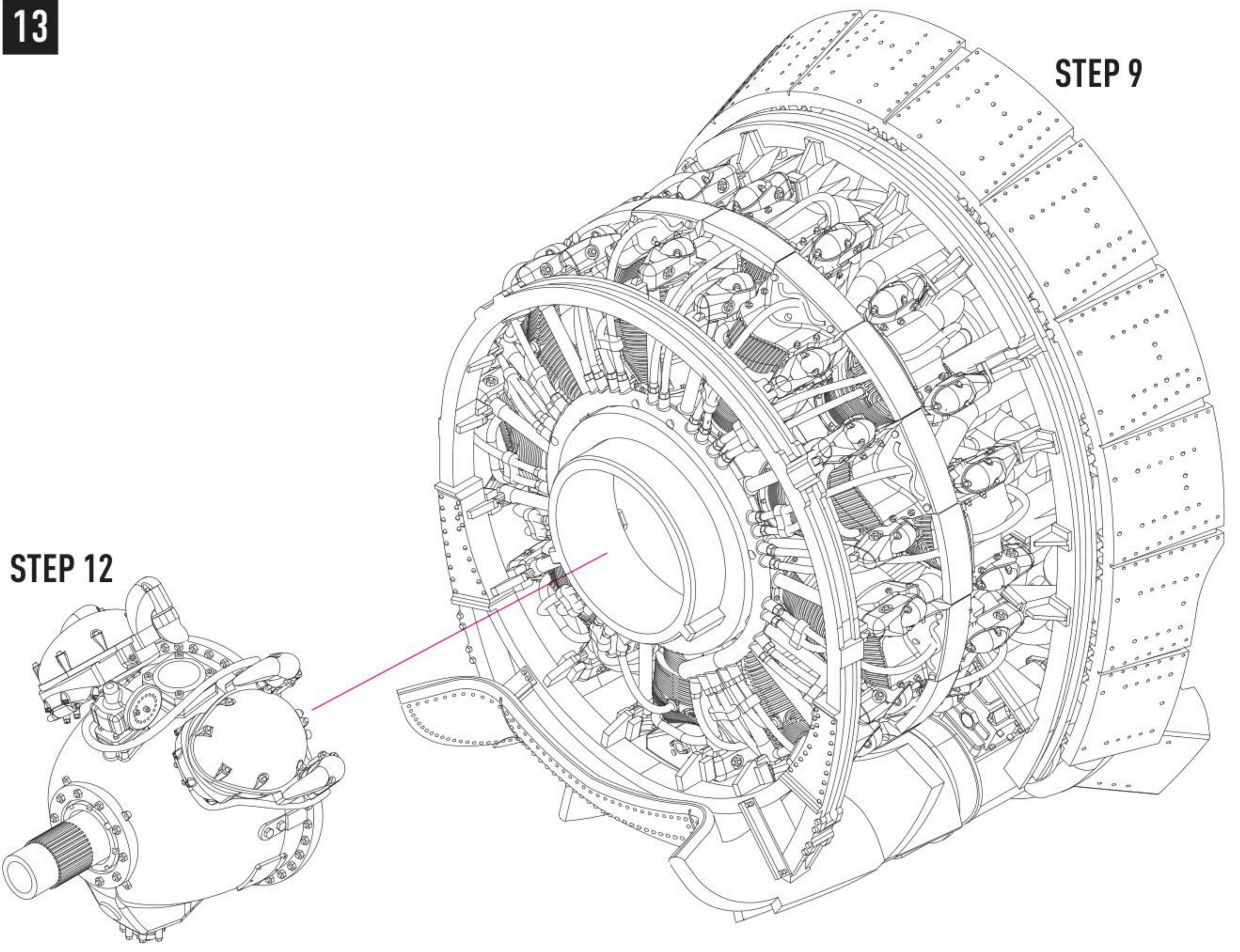


11



12

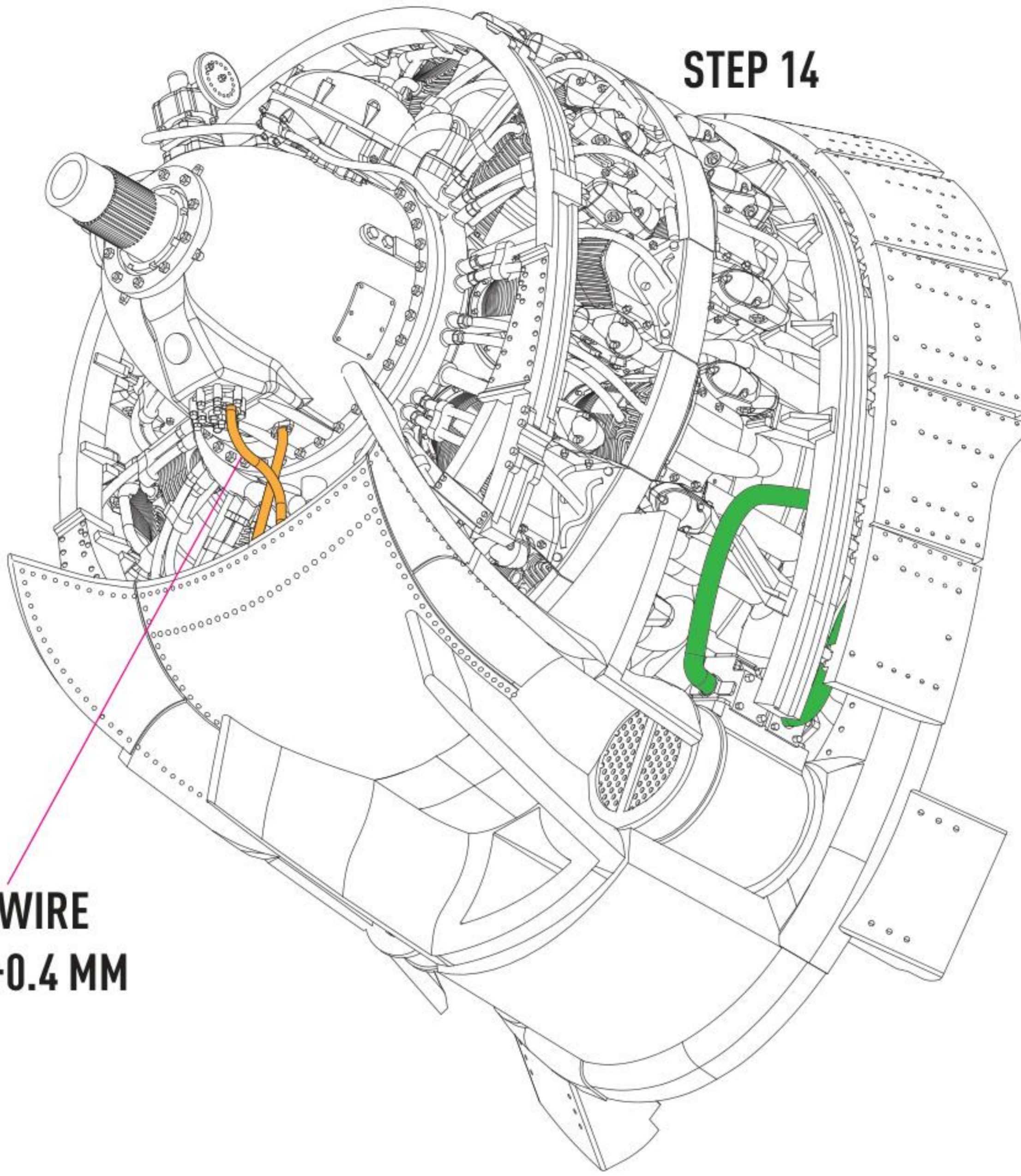




15

STEP 14

USE WIRE  
D=0.3-0.4 MM

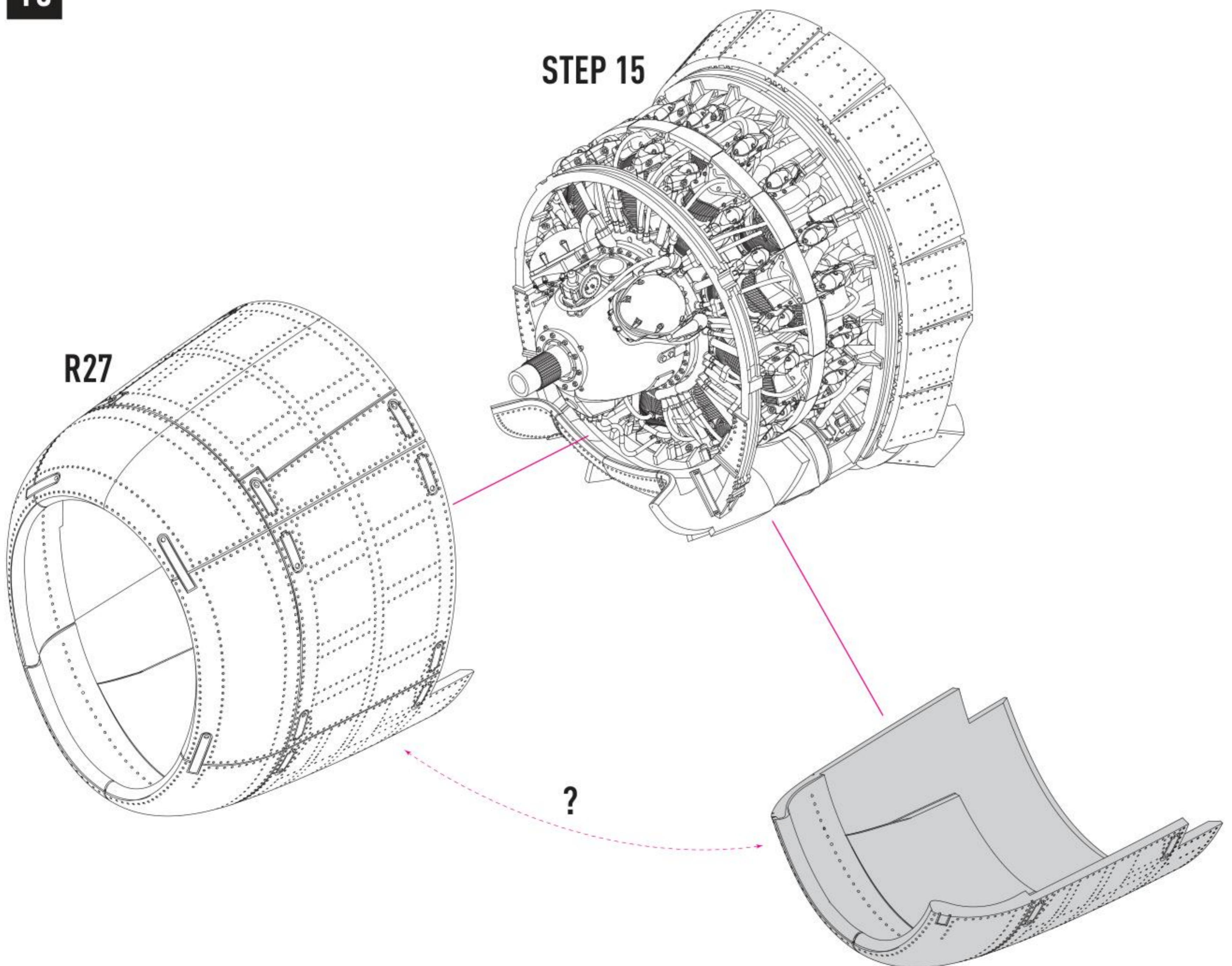


16

STEP 15

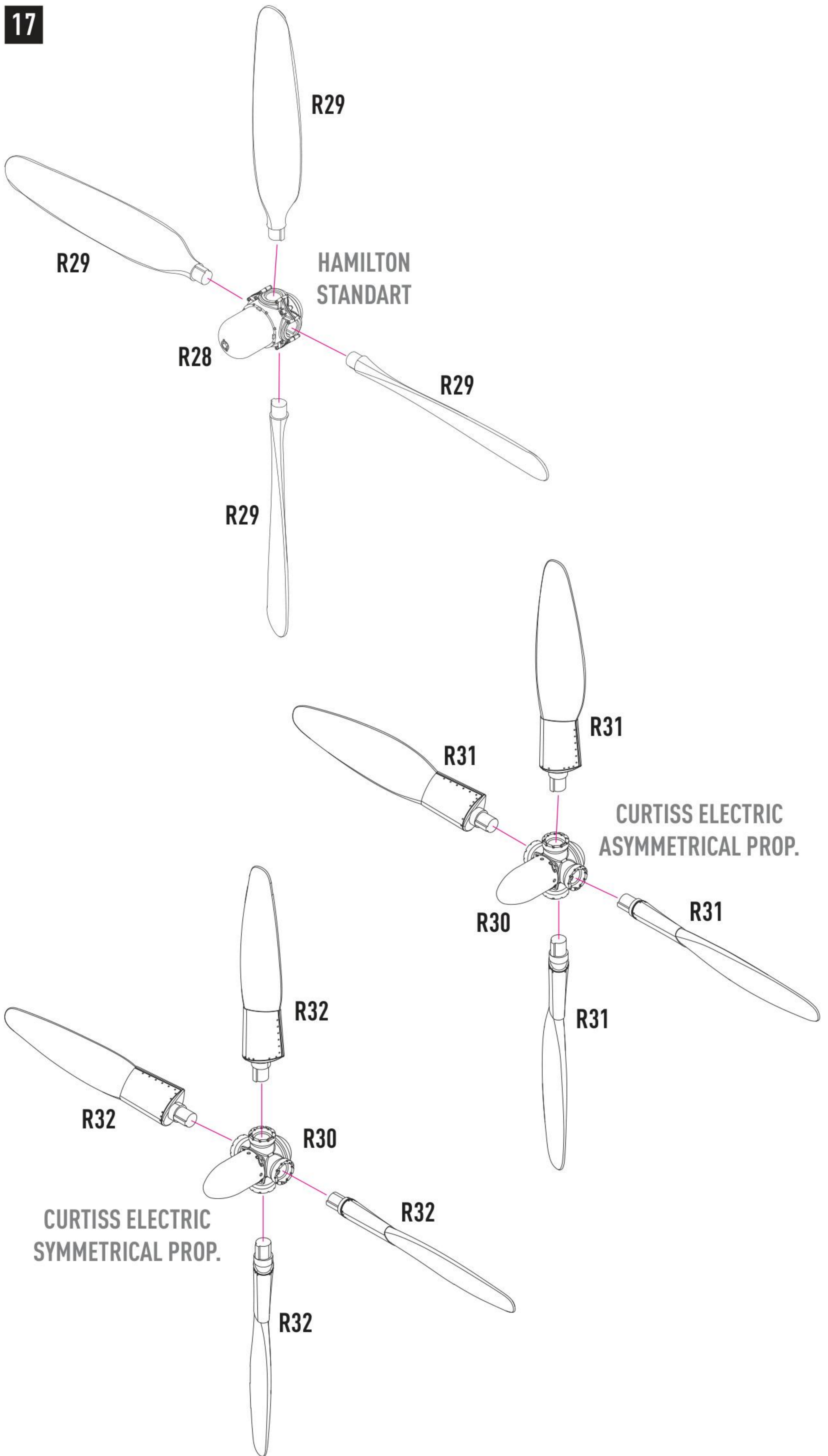
R27

?



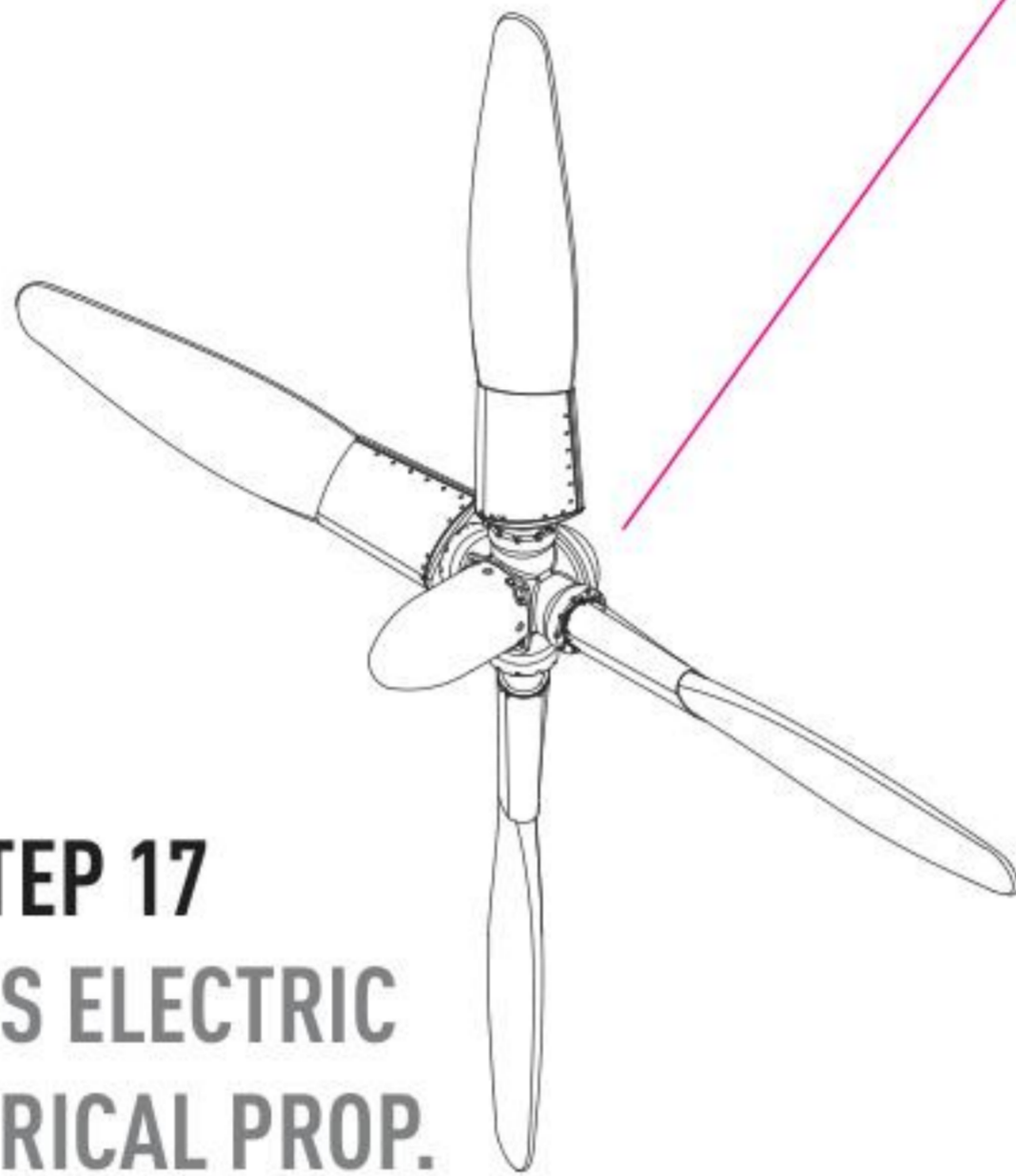
USE PART 27 FROM RESKIT KIT FOR CLOSED HOOD  
USE PART A8 FROM MINIART KIT FOR OPEN HOOD

PART A8 FROM  
MINIART KIT

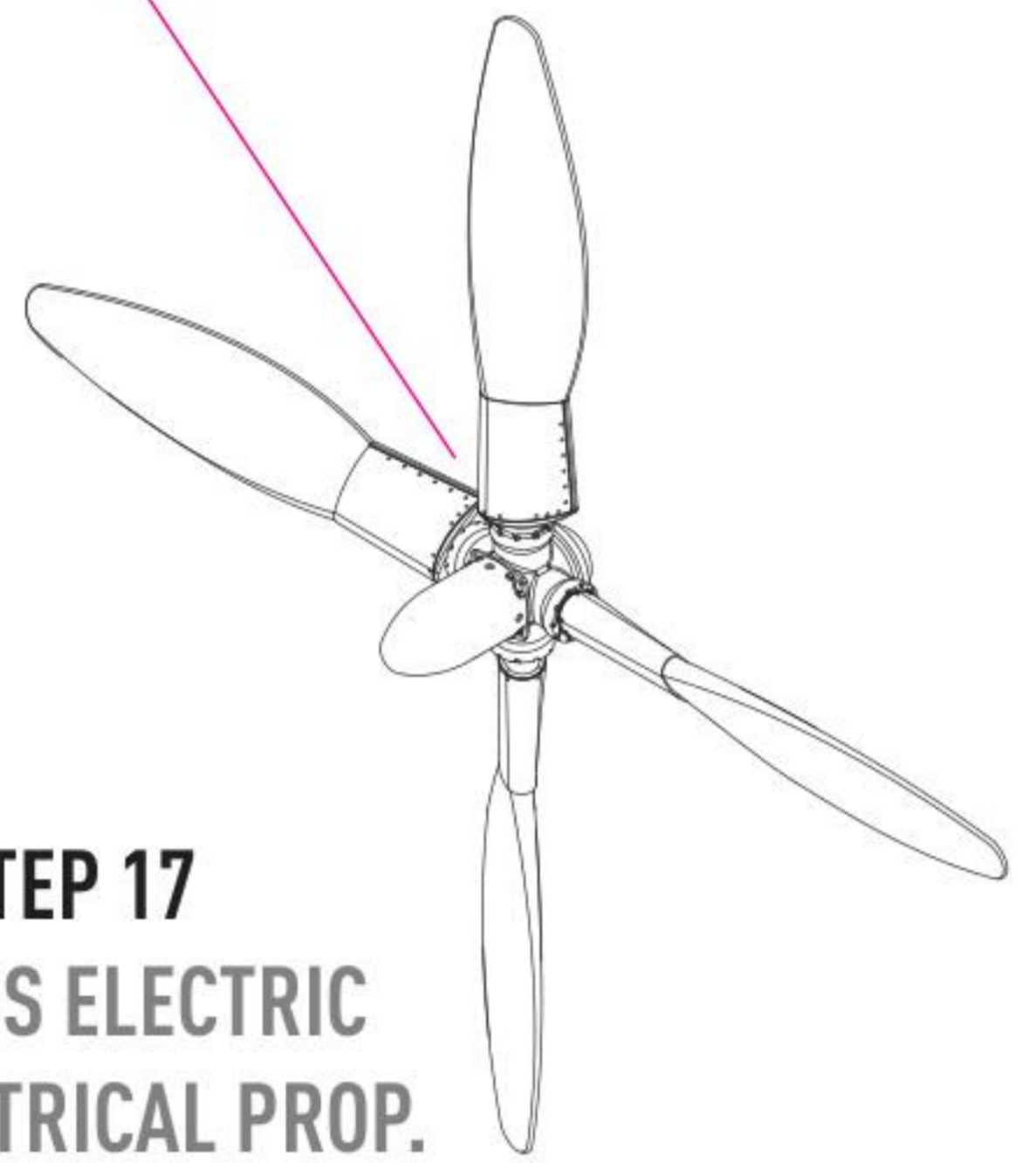




**STEP 17**  
HAMILTON  
STANDART

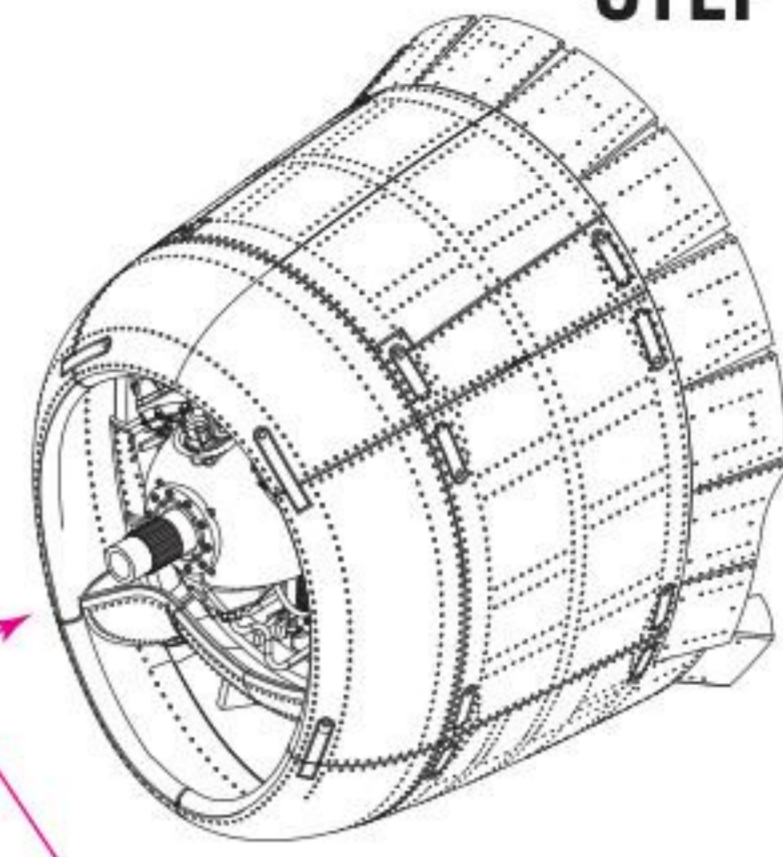


**STEP 17**  
CURTISS ELECTRIC  
SYMMETRICAL PROP.



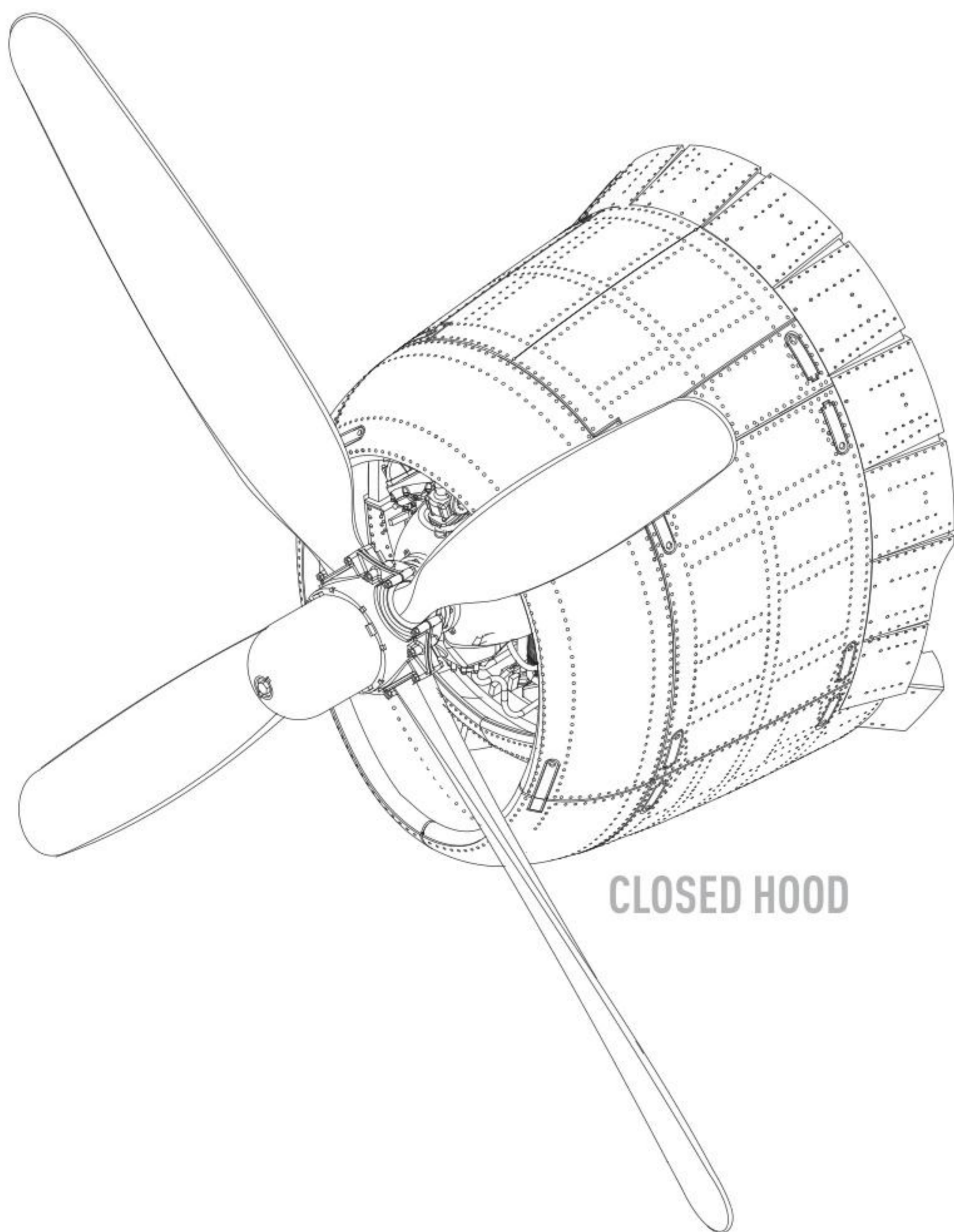
**STEP 17**  
CURTISS ELECTRIC  
ASYMMETRICAL PROP.

**STEP 16**

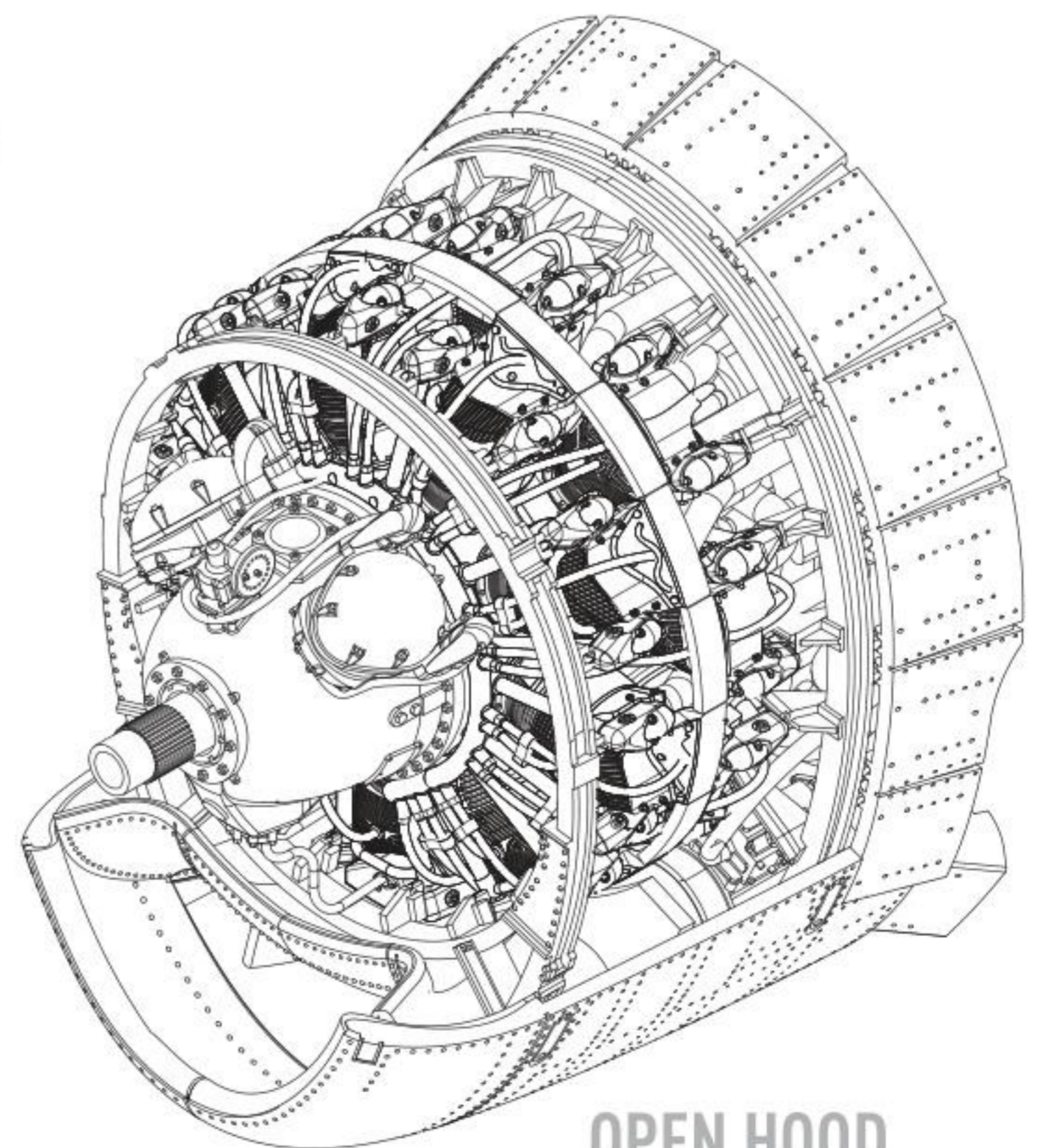


?

?



**CLOSED HOOD**



**OPEN HOOD**

# DECALS INSTRUCTION

**HAMILTON STANDART**

**CURTISS ELECTRIC SYMMETRICAL PROP.**

**CURTISS ELECTRIC ASYMMETRICAL PROP.**

**ALUMINIUM** MC212

**YELLOW** H4 C4

**POLISHED ALUMINIUM** MC218

**FLAT BLACK** H12 C33

**ENGINE GRAY** H339 C339

R22

R24

R14

05

06

09

09

10

07

08

COLORS	GUNZE / AQUEOUS	GUNZE / MR.COLOR
FLAT BLACK	H12	C33
ENGINE GRAY	H339	C339
ALUMINIUM		MC212
POLISHED ALUMINIUM		MC218
YELLOW	H4	C4