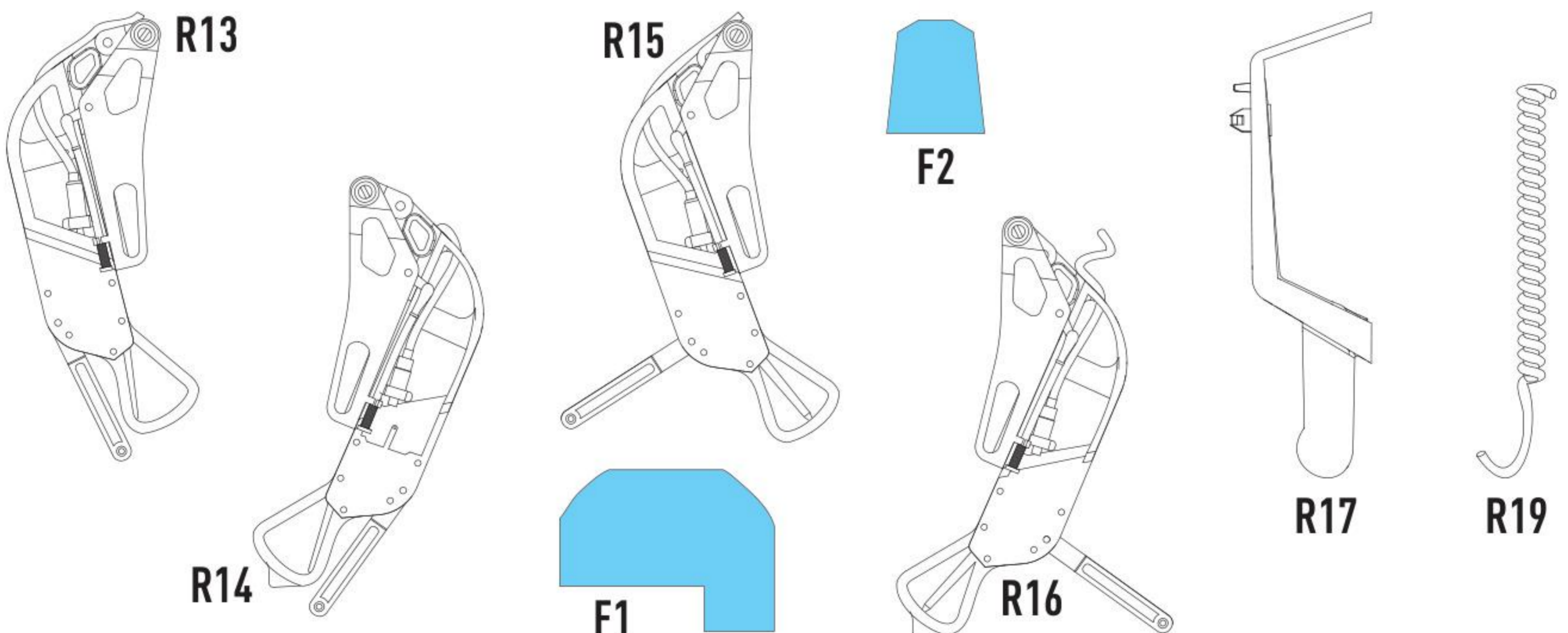
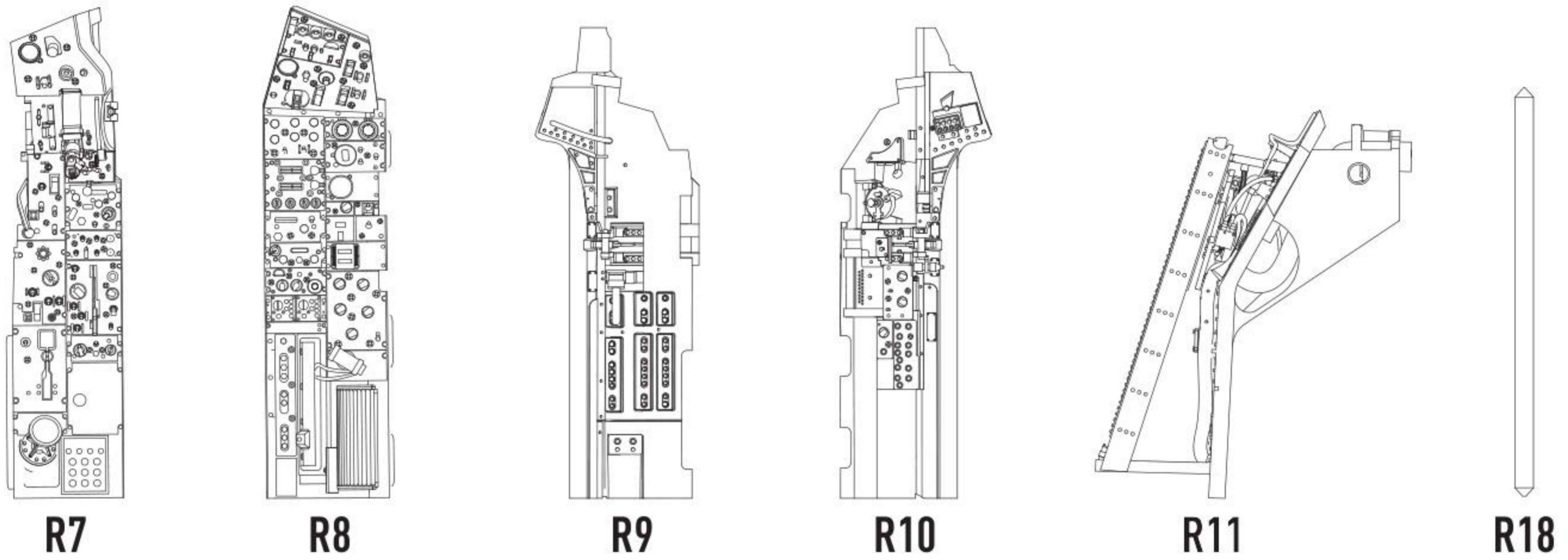
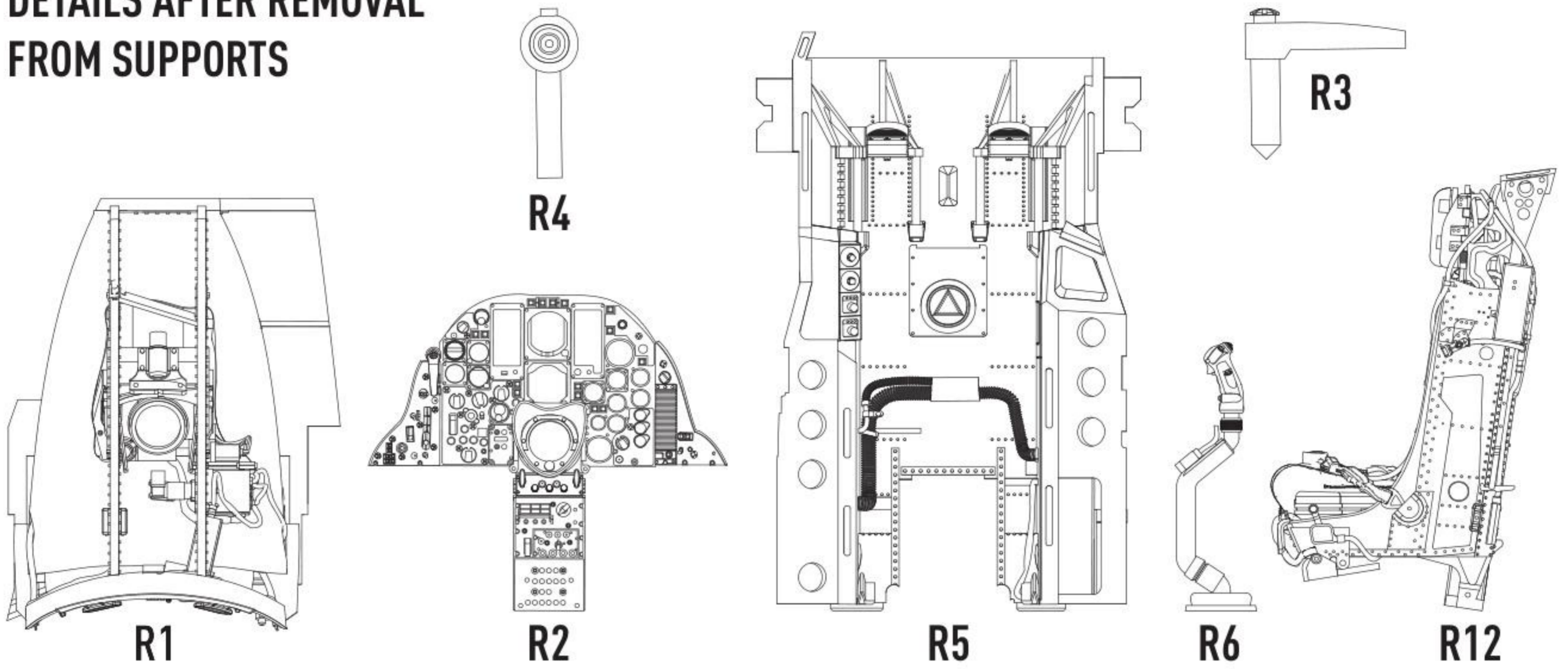
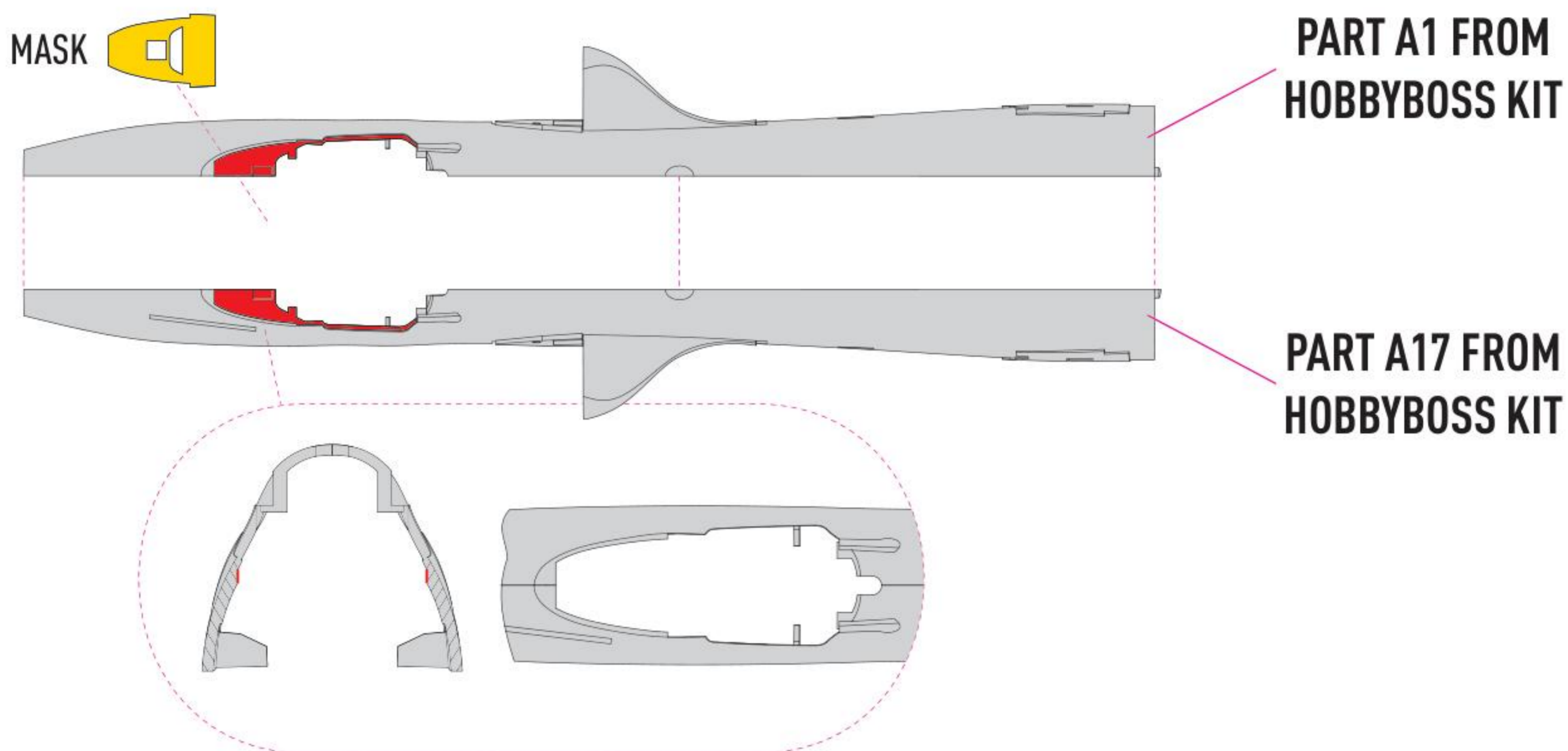


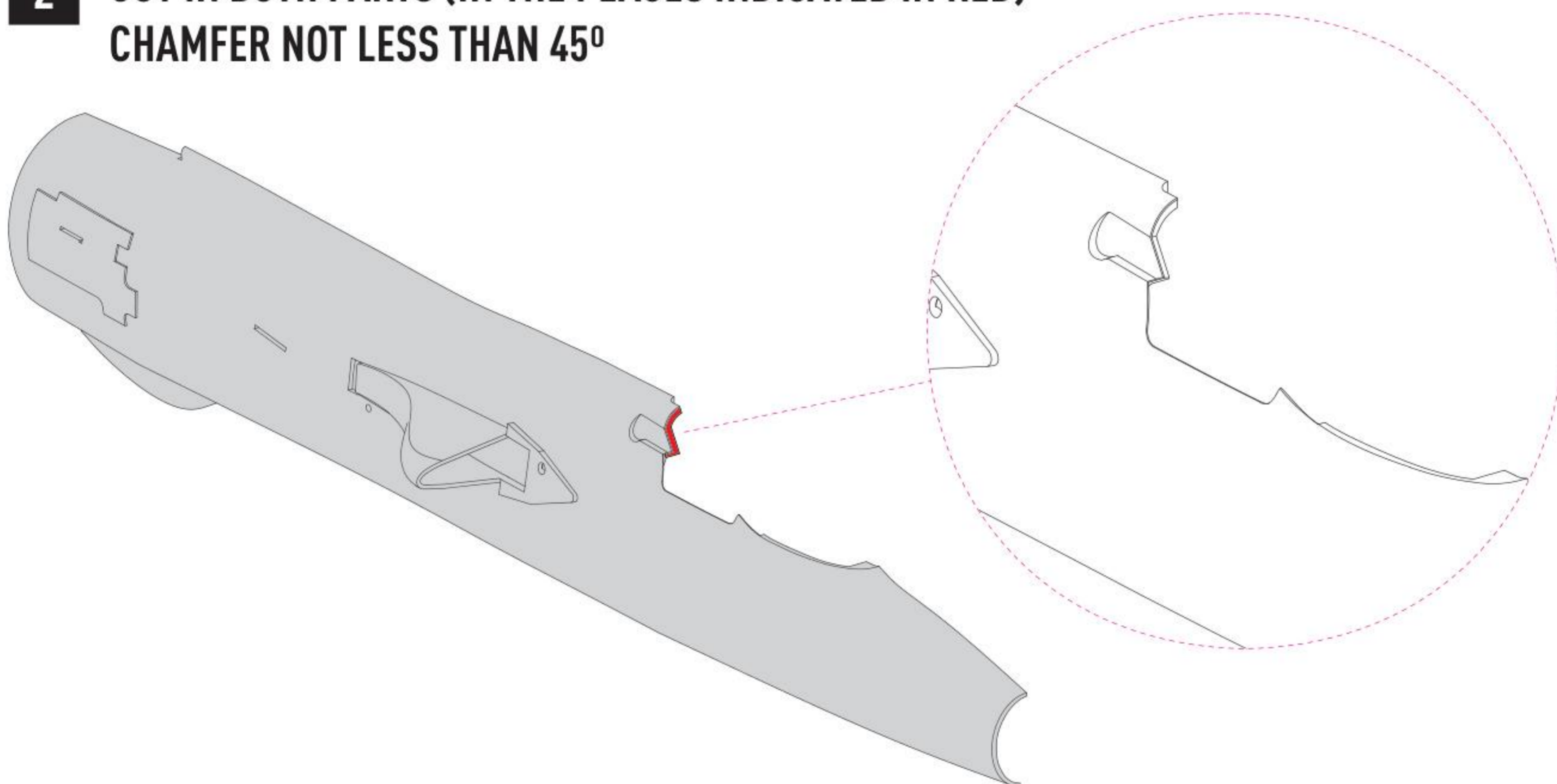
**DETAILS AFTER REMOVAL
FROM SUPPORTS**



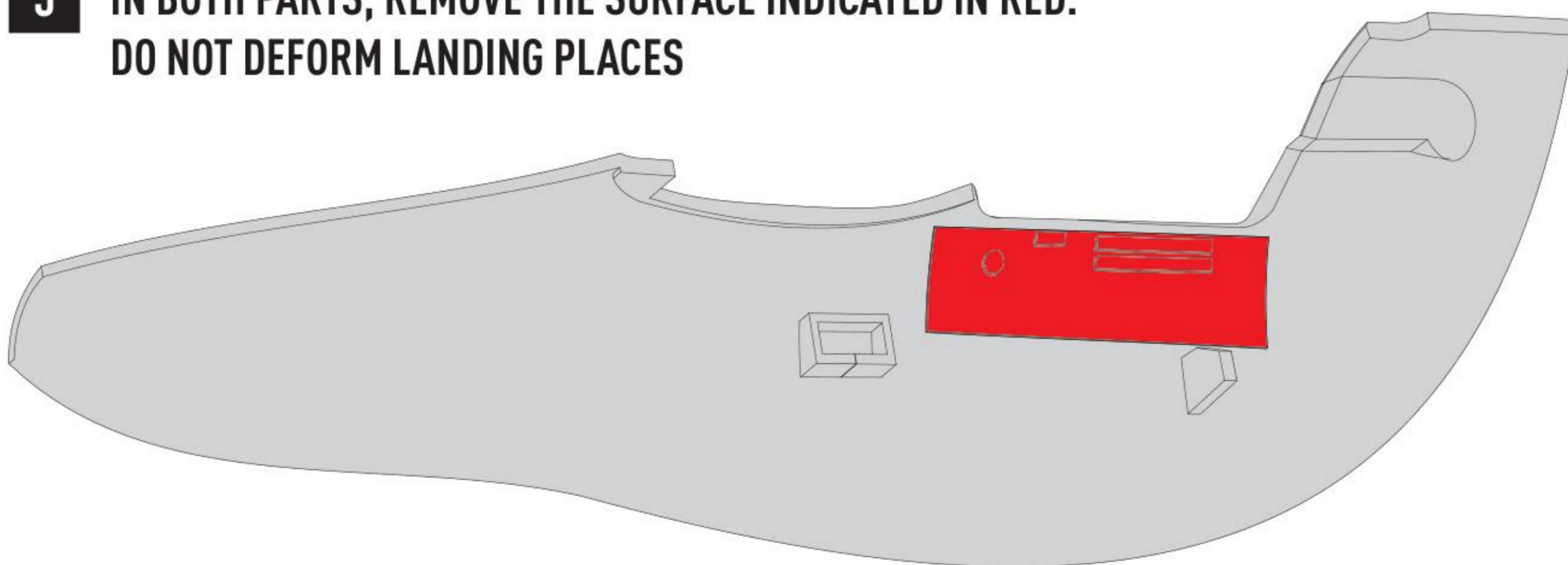
1 APPLY WITHOUT GLUING THE TWO CASTS TOGETHER AND PASTE THE MASK.
MARK THE PATH OF THE CONTOUR AND DELETE THE PART INDICATED IN RED

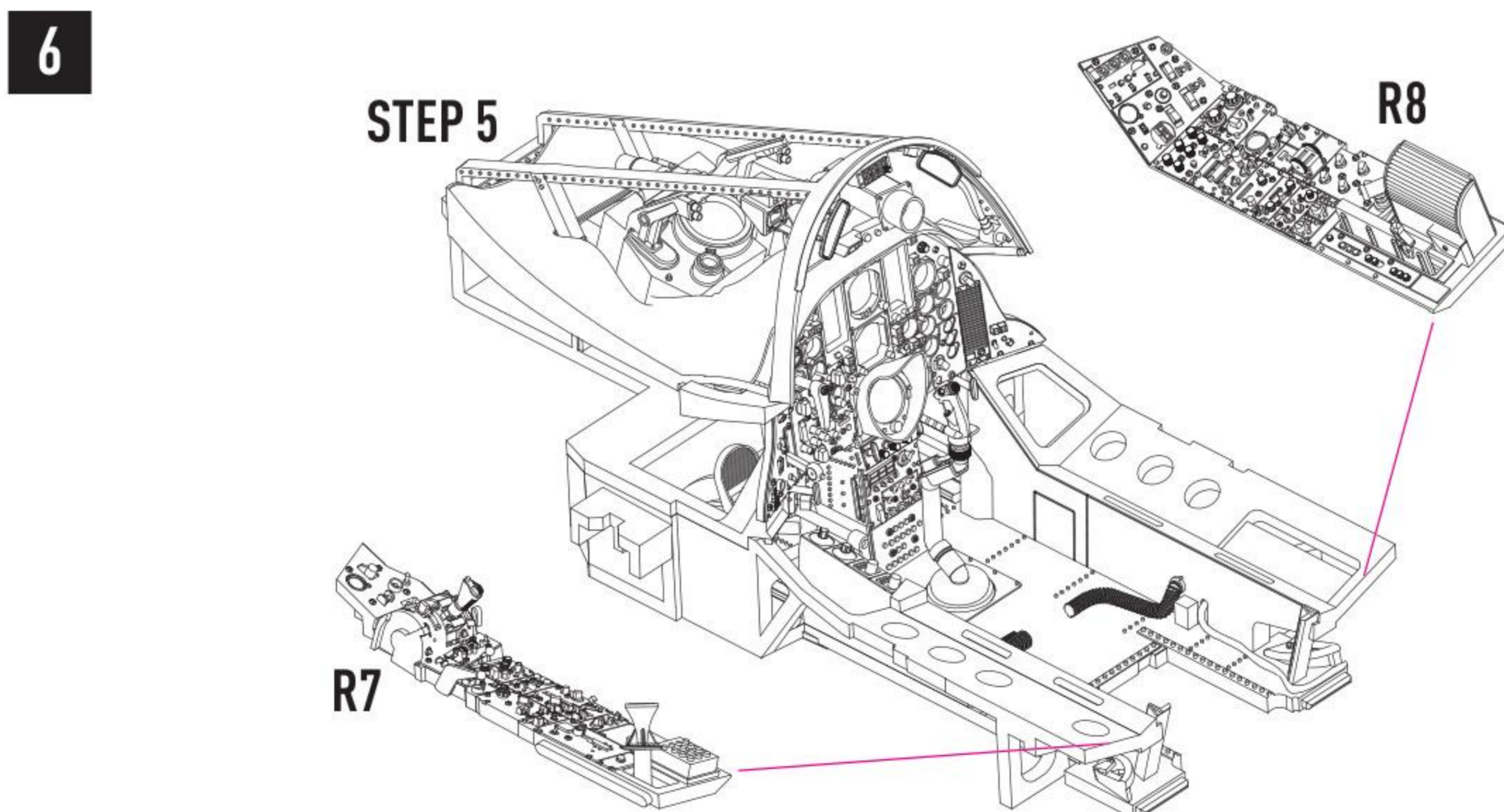
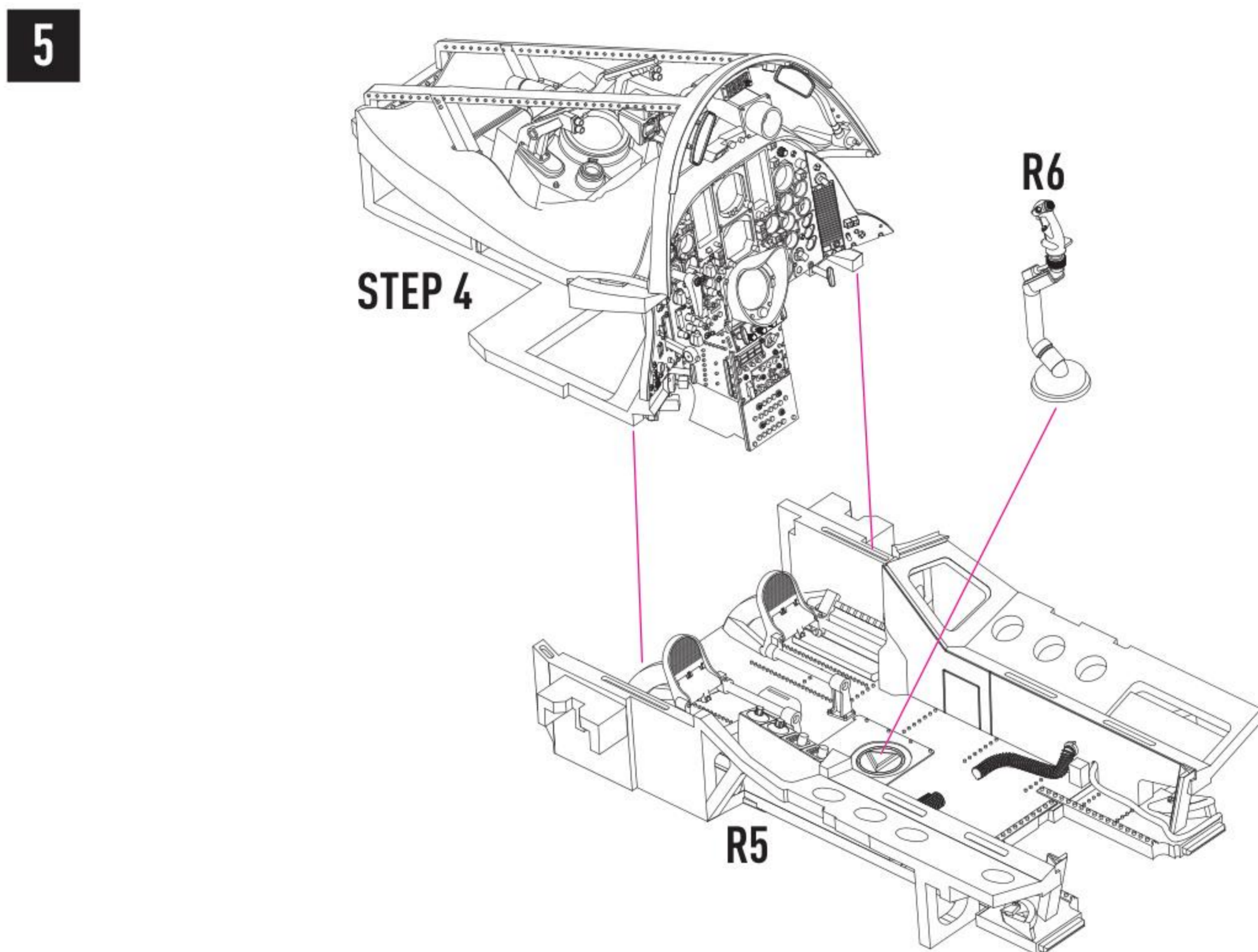
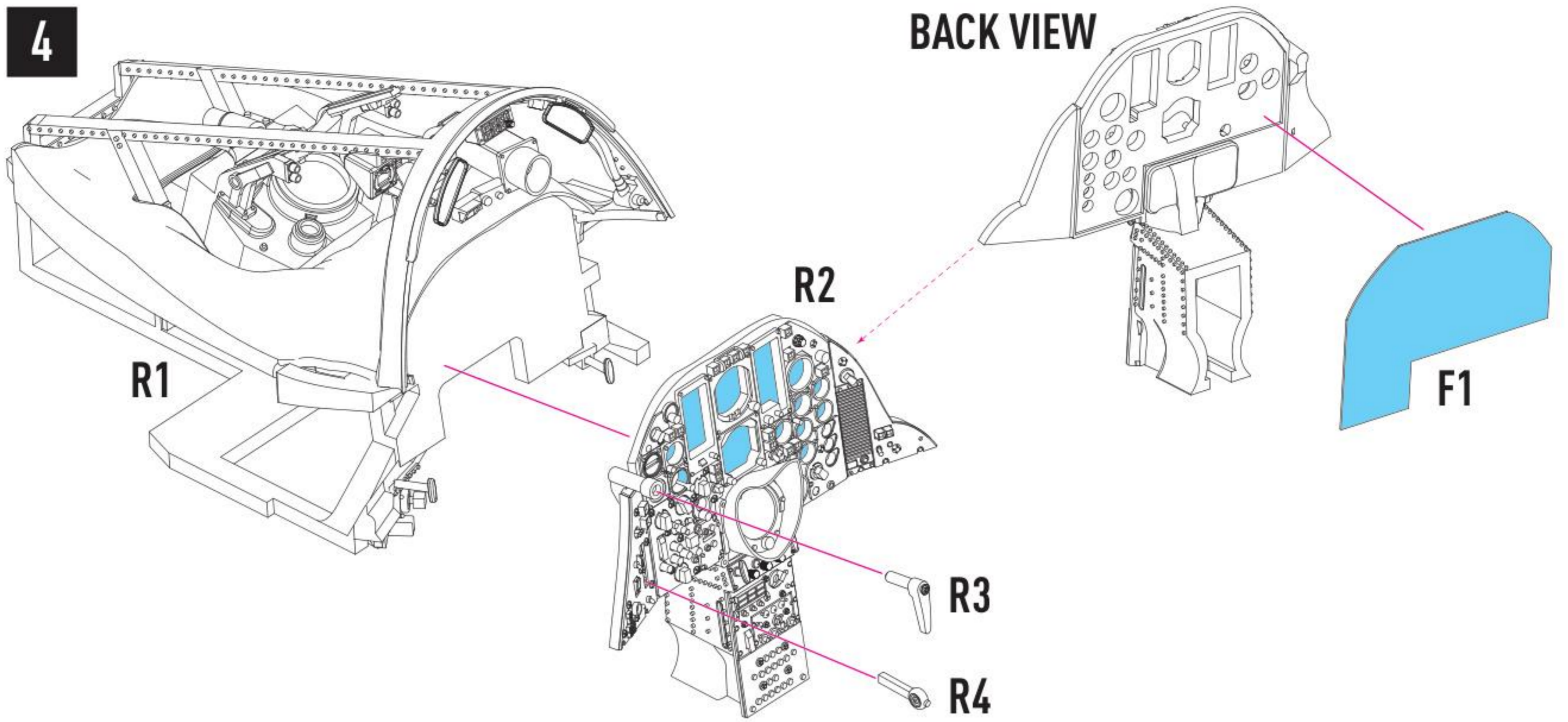


2 CUT IN BOTH PARTS (IN THE PLACES INDICATED IN RED)
CHAMFER NOT LESS THAN 45°

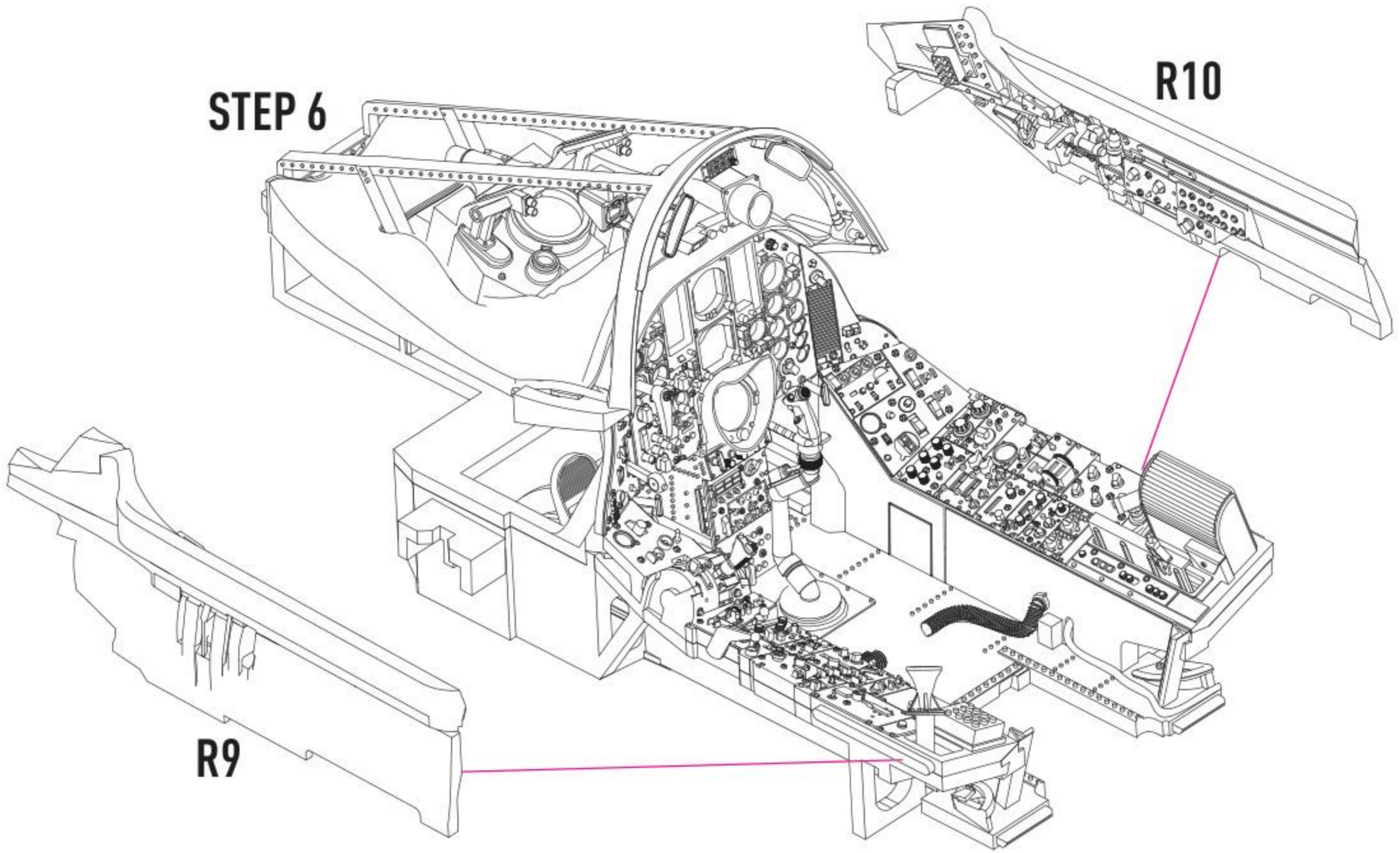


3 IN BOTH PARTS, REMOVE THE SURFACE INDICATED IN RED.
DO NOT DEFORM LANDING PLACES

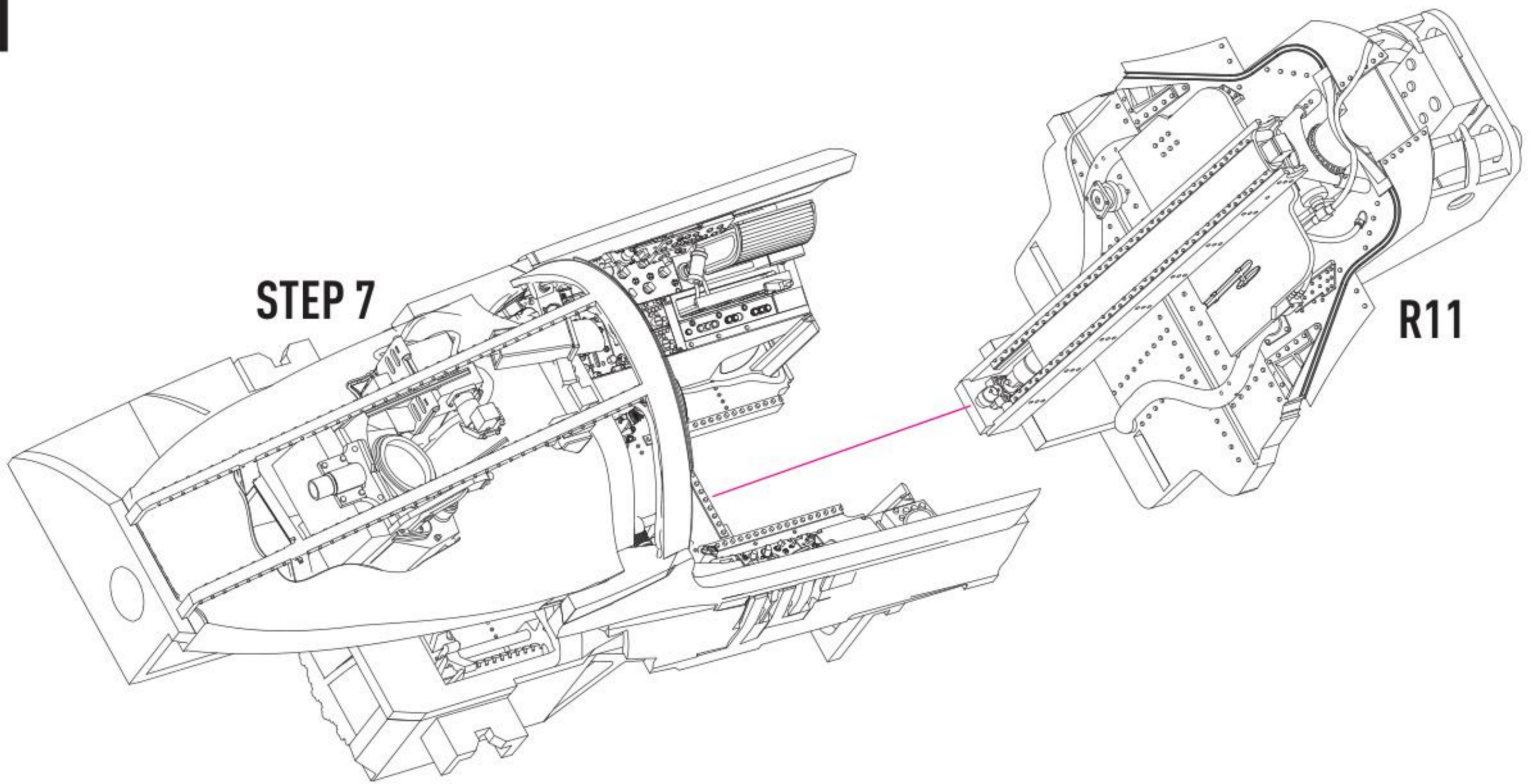




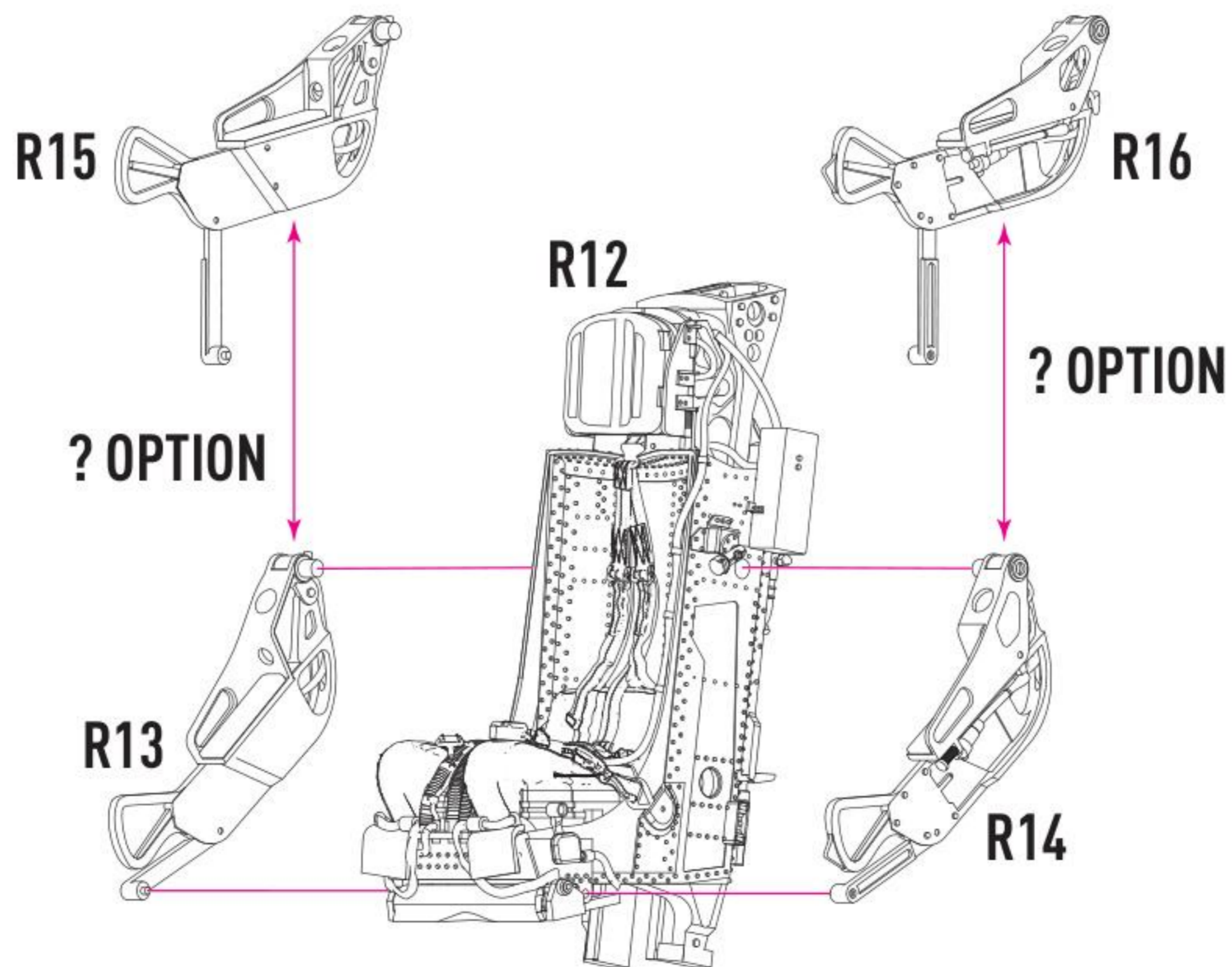
7



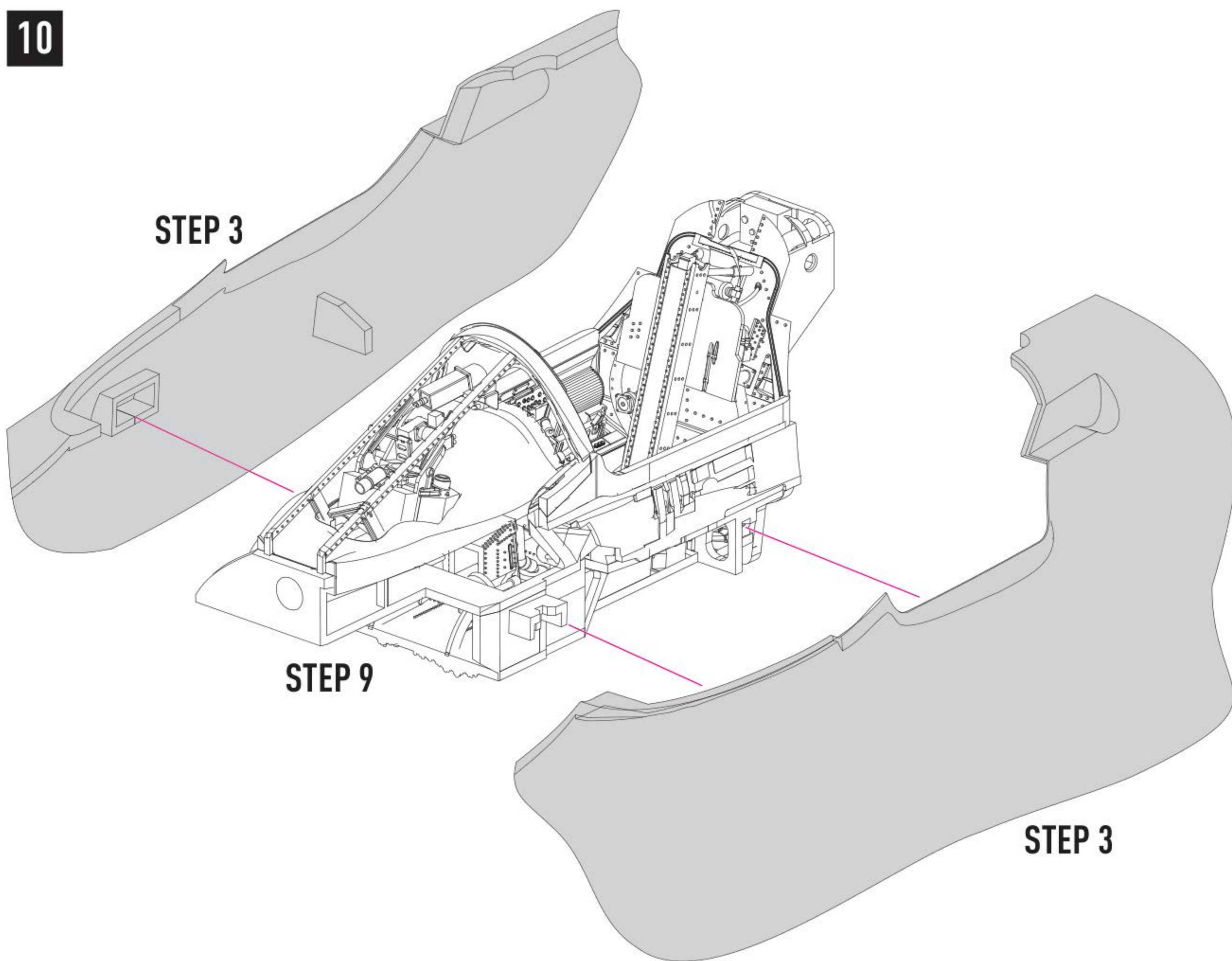
8



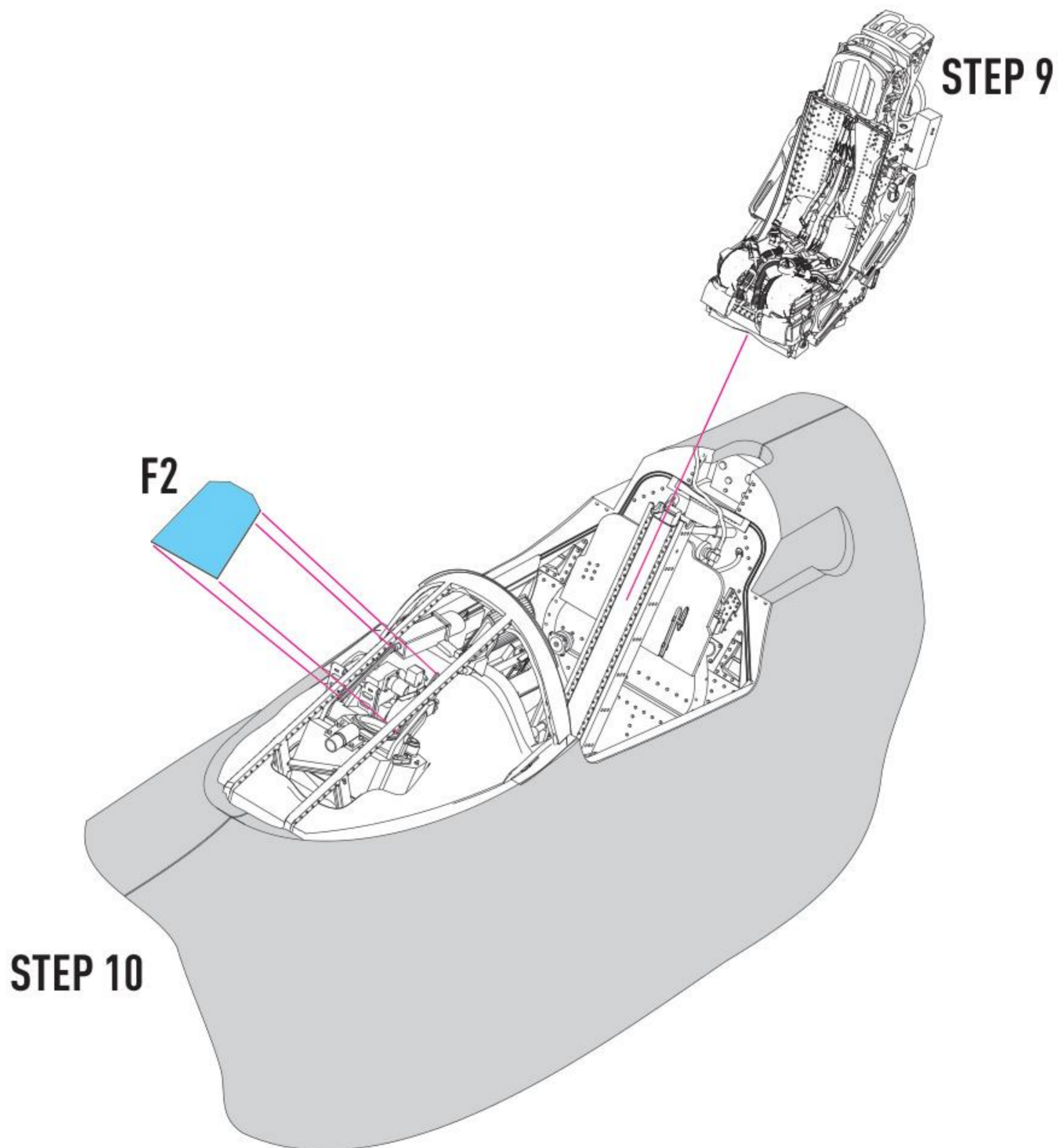
9

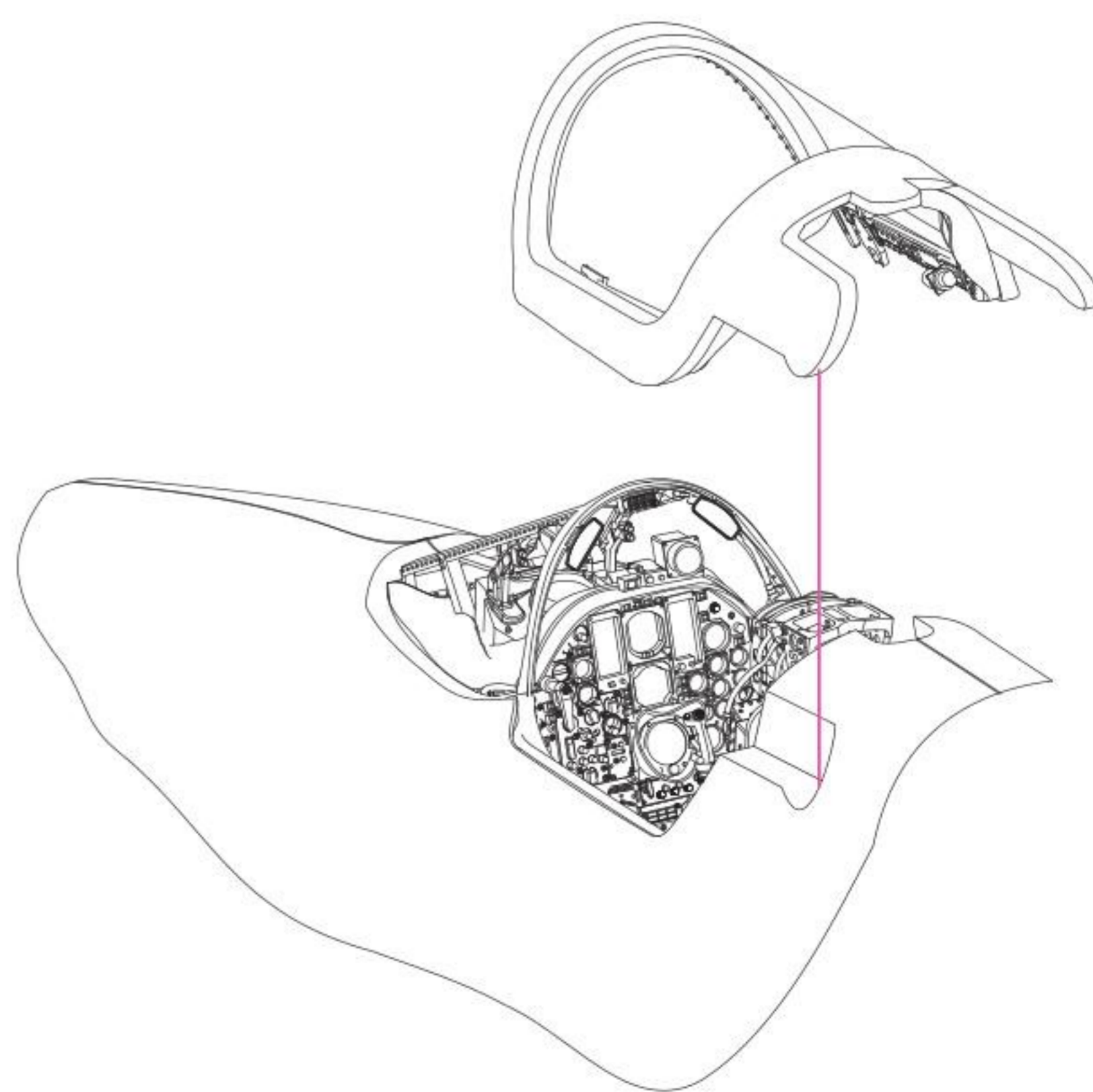
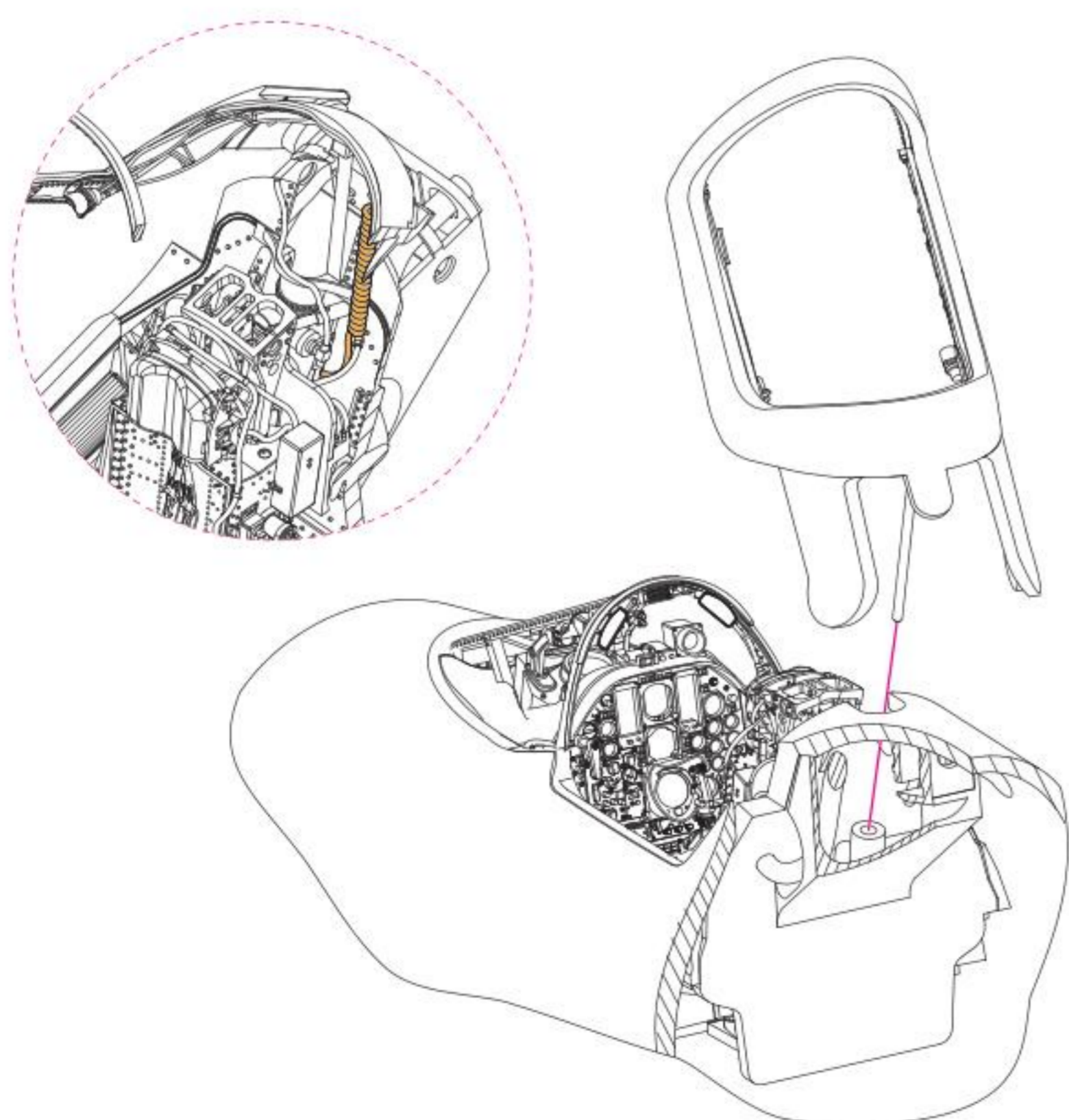
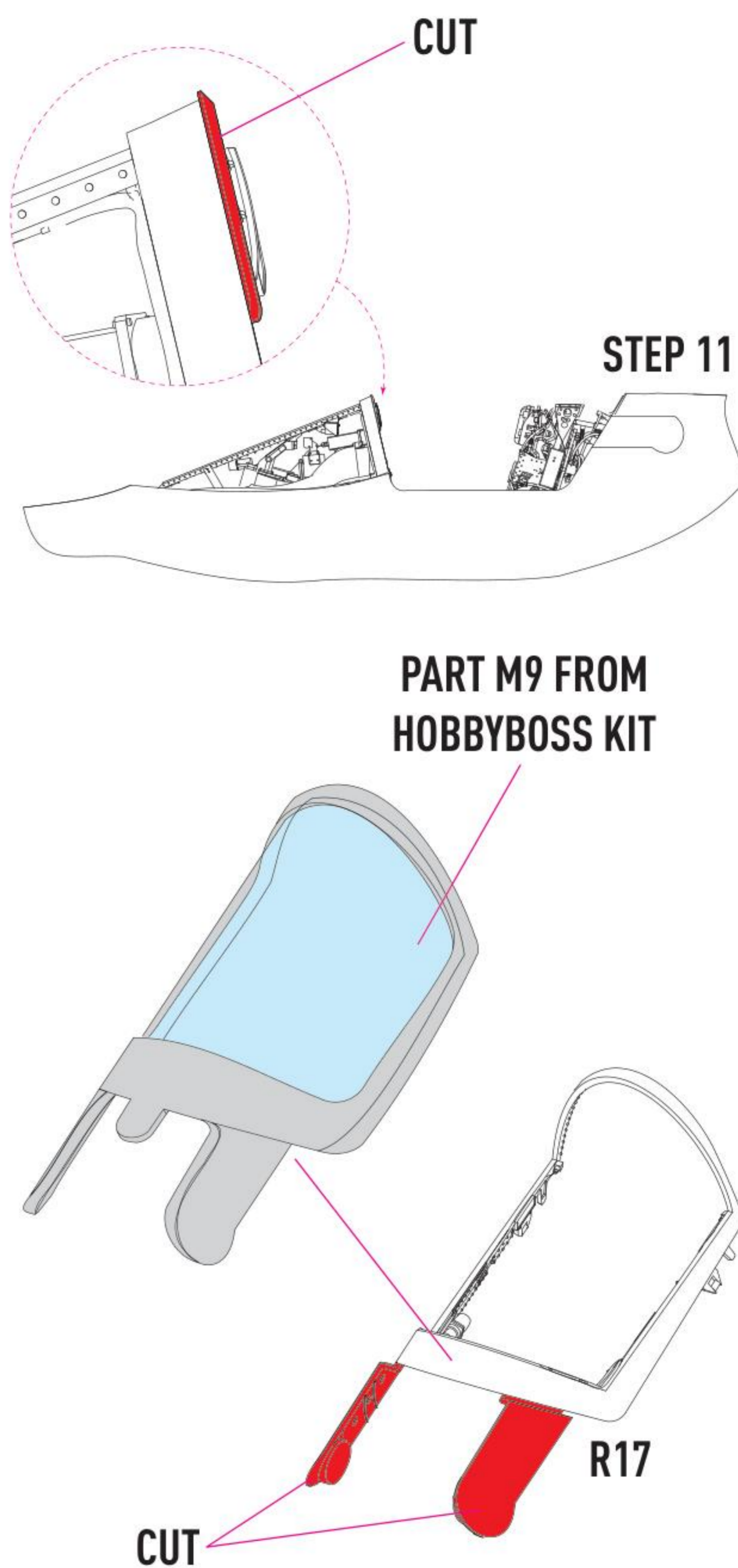
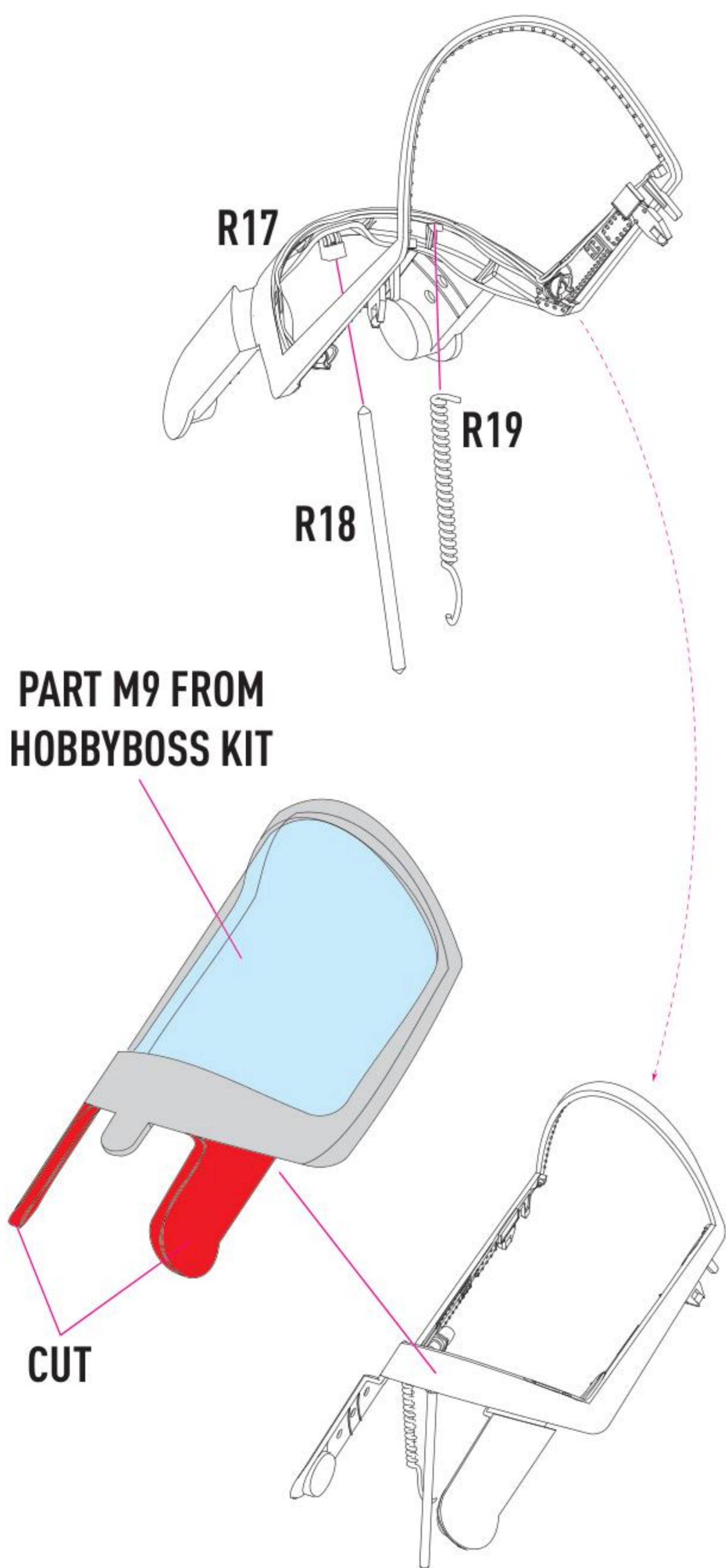


10

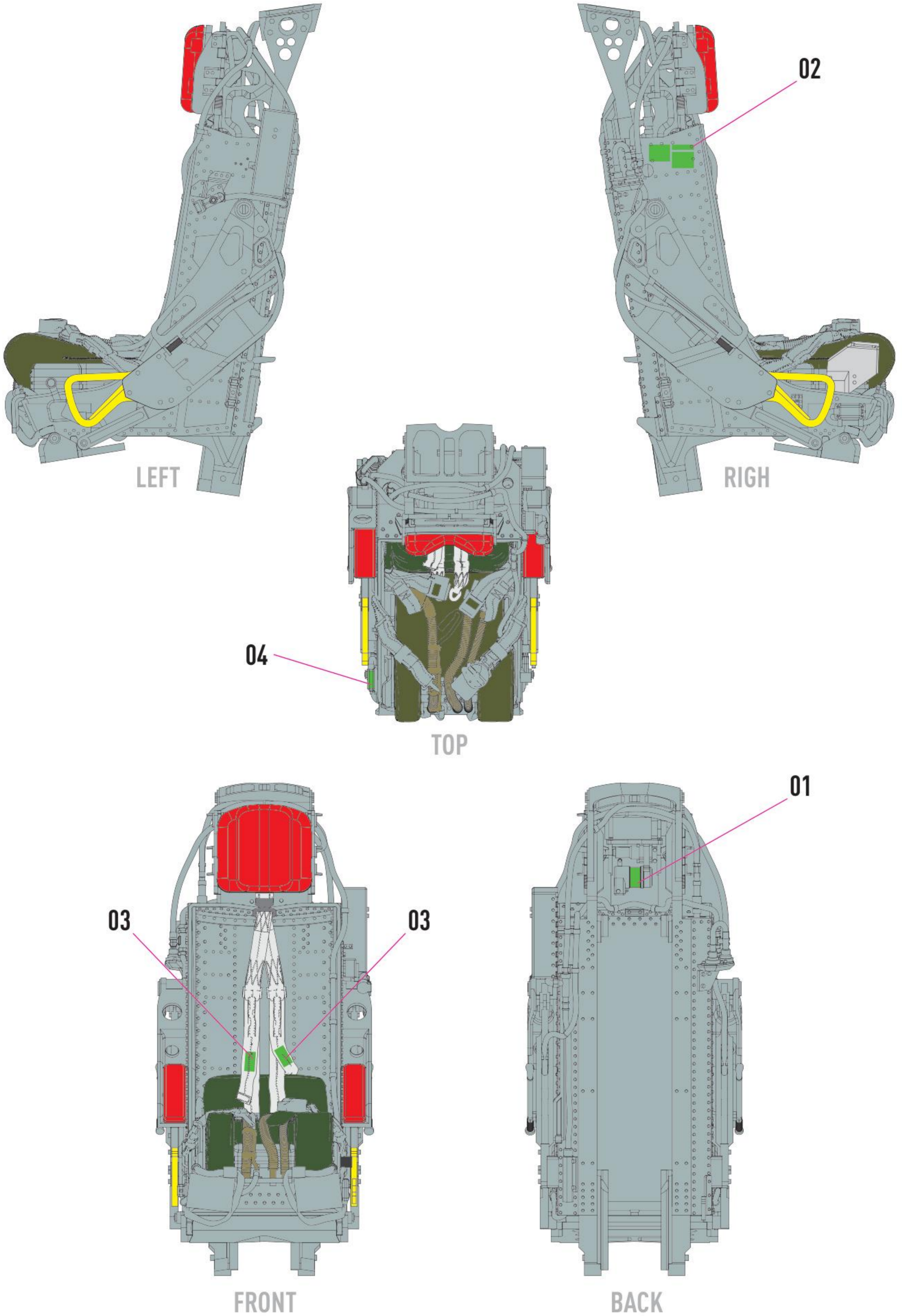


11





DECAL INSTRUCTION



general Issues: info@reskit.com.ua / claim resolution: claims@reskit.com.ua

RESKIT-MODELS.COM

 fb.com/reskit.official

 instagram.com/reskit_official

 pinterest.com/reskit_official

**YOU CAN FIND INSTRUCTIONS
IN PDF FORMAT ON THE WEBSITE**

RESKIT-MODELS.COM

General Issues: info@reskit.com.ua

Wholesales: sales@reskit.com.ua

Claim Resolution: claims@reskit.com.ua