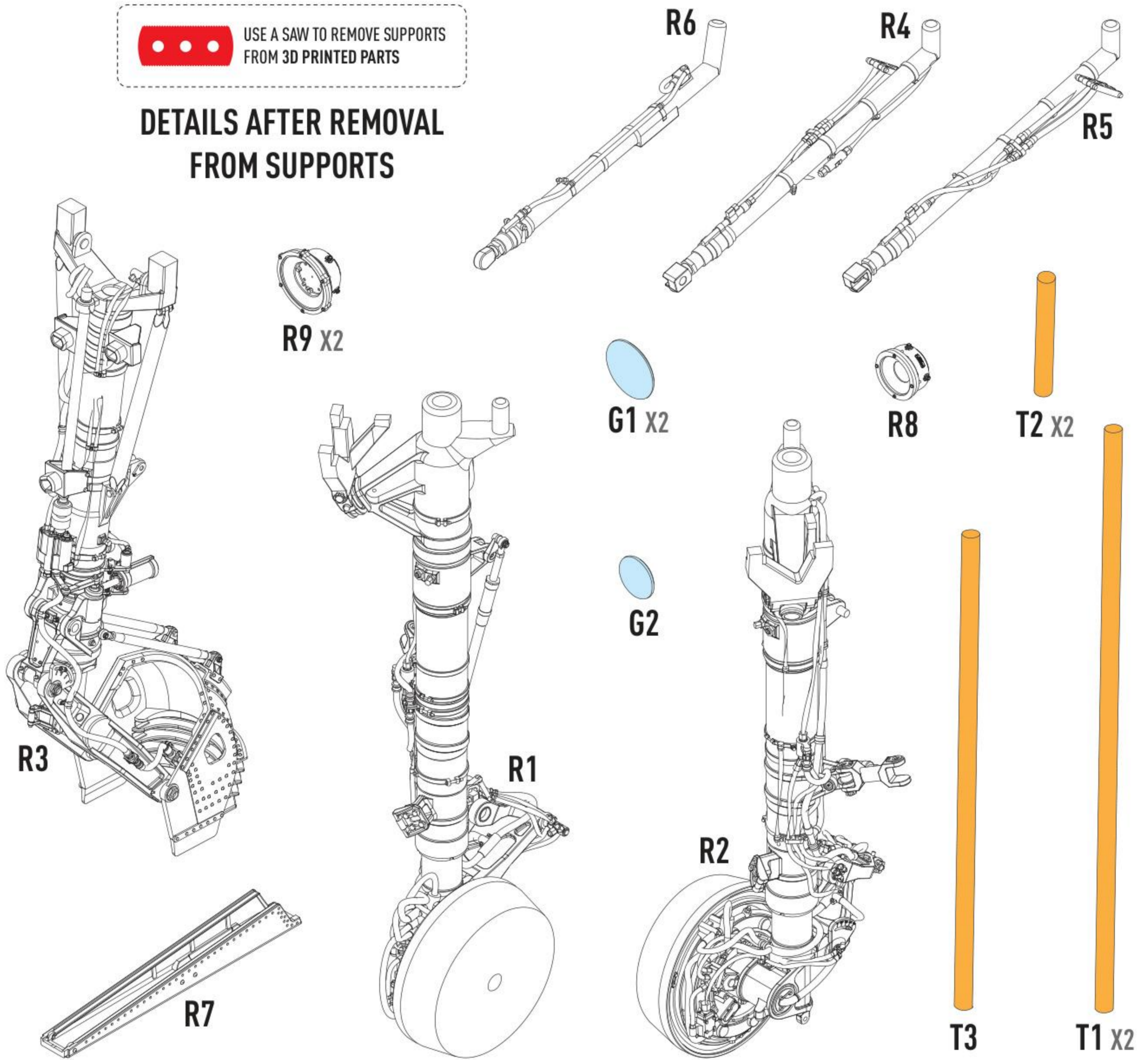
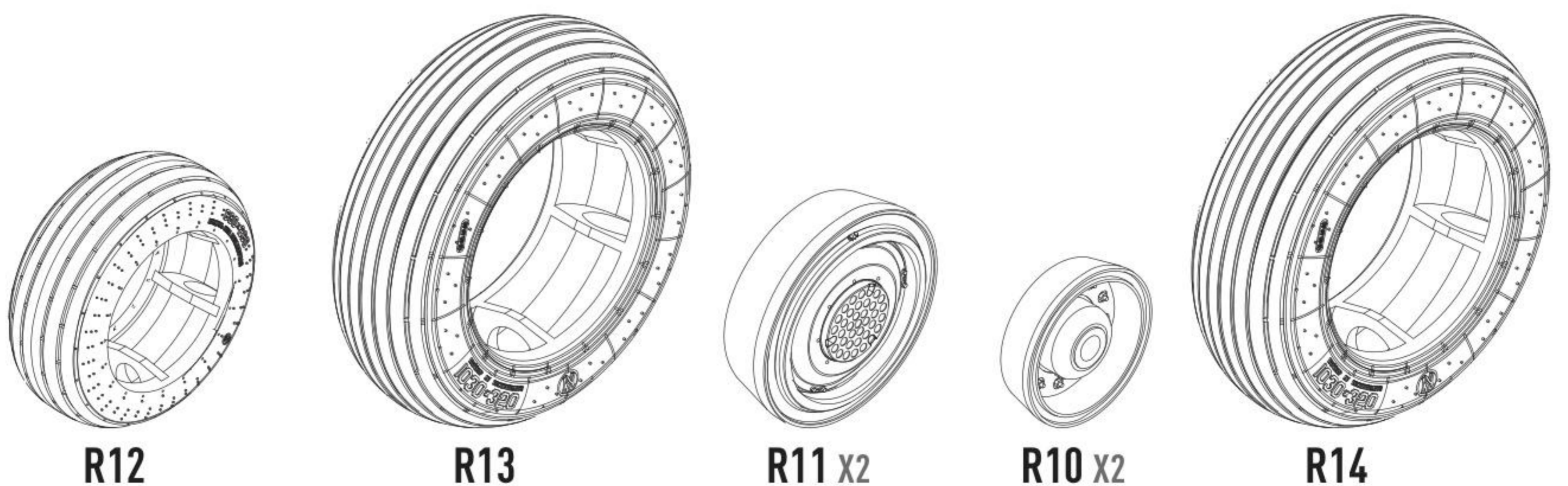


USE A SAW TO REMOVE SUPPORTS  
FROM 3D PRINTED PARTS

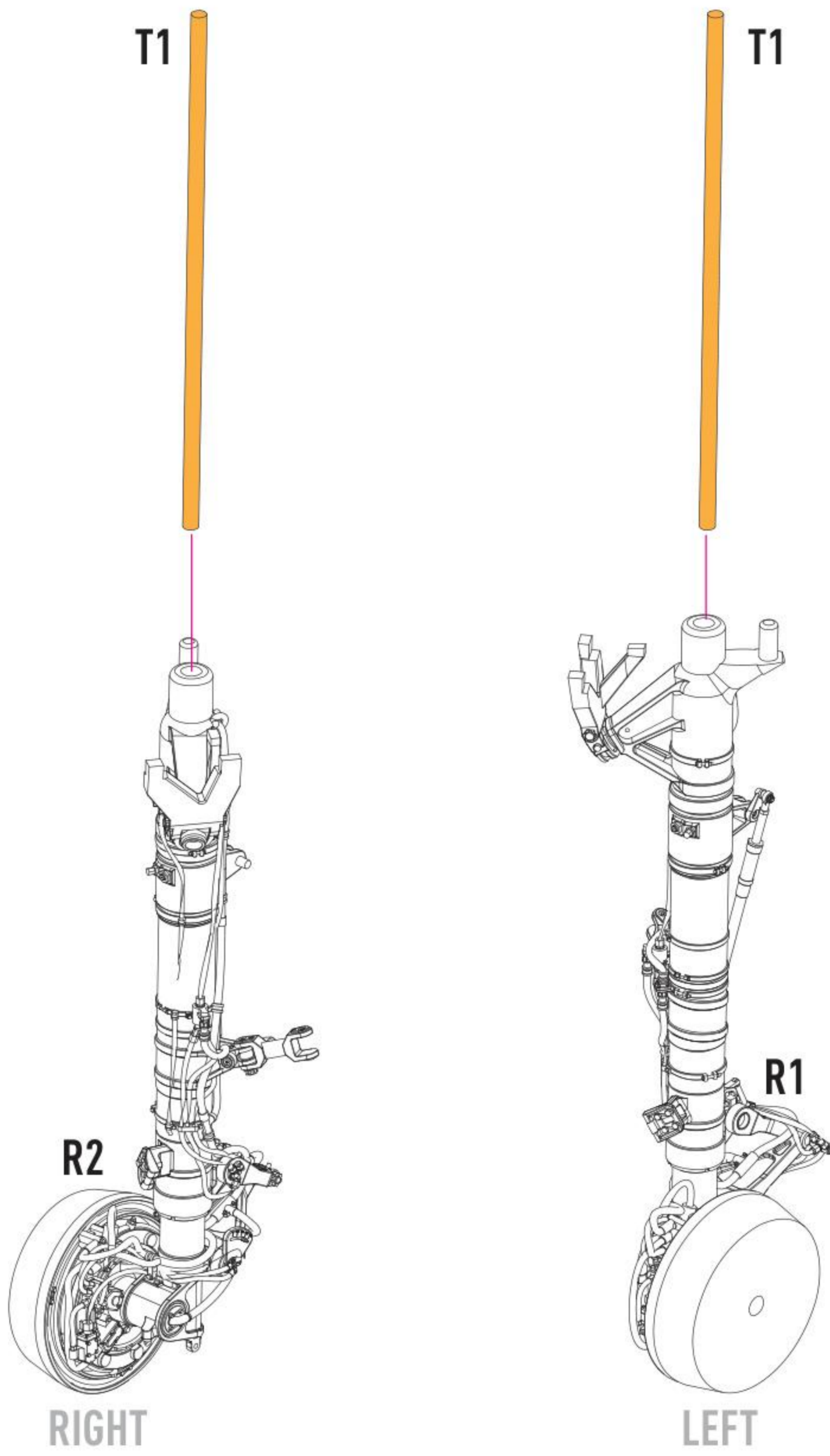
**DETAILS AFTER REMOVAL  
FROM SUPPORTS**



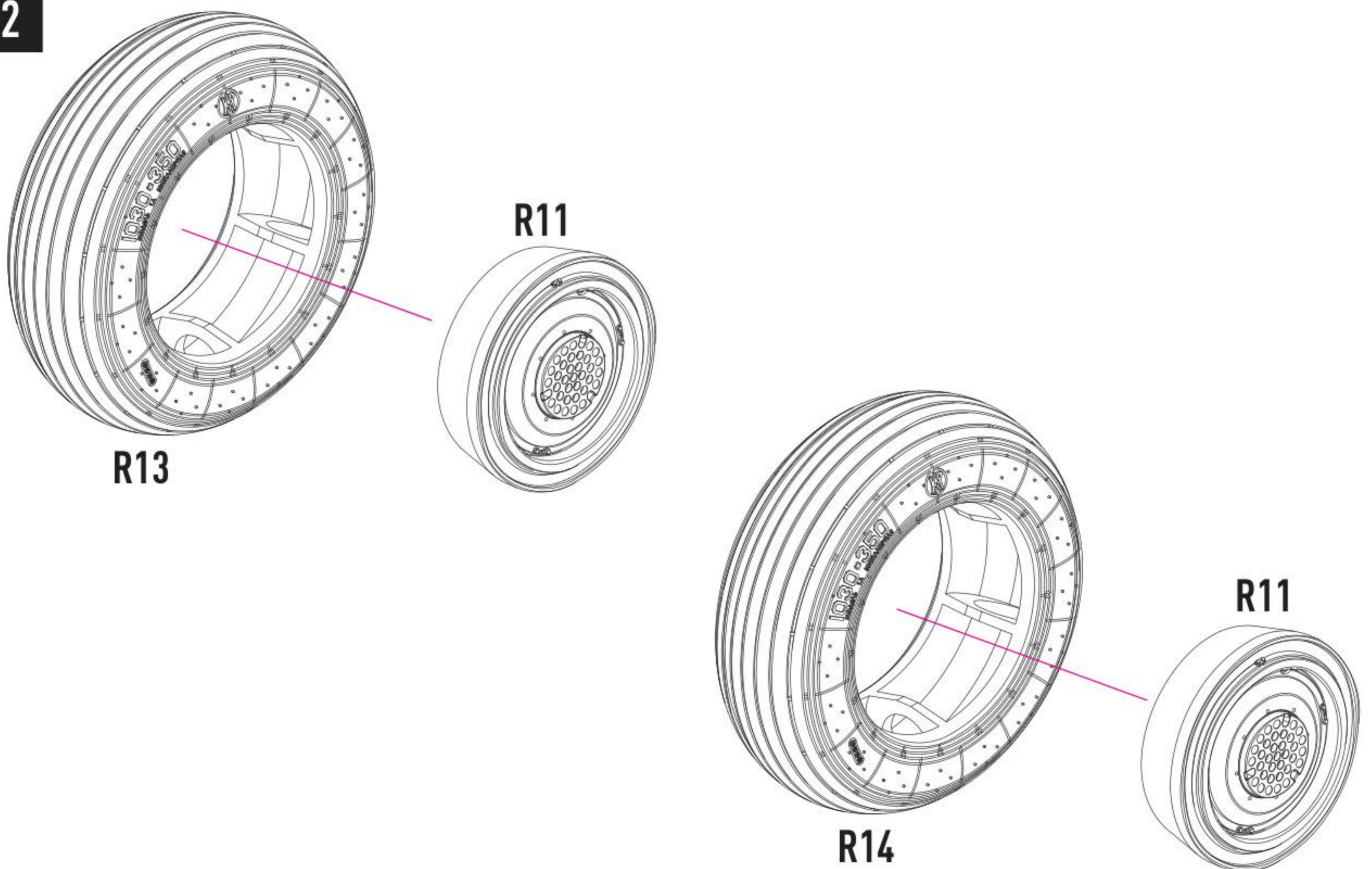
**BEFORE INSTALLATION - APPLY GLOSS VARNISH TO G1 AND G2 PARTS**



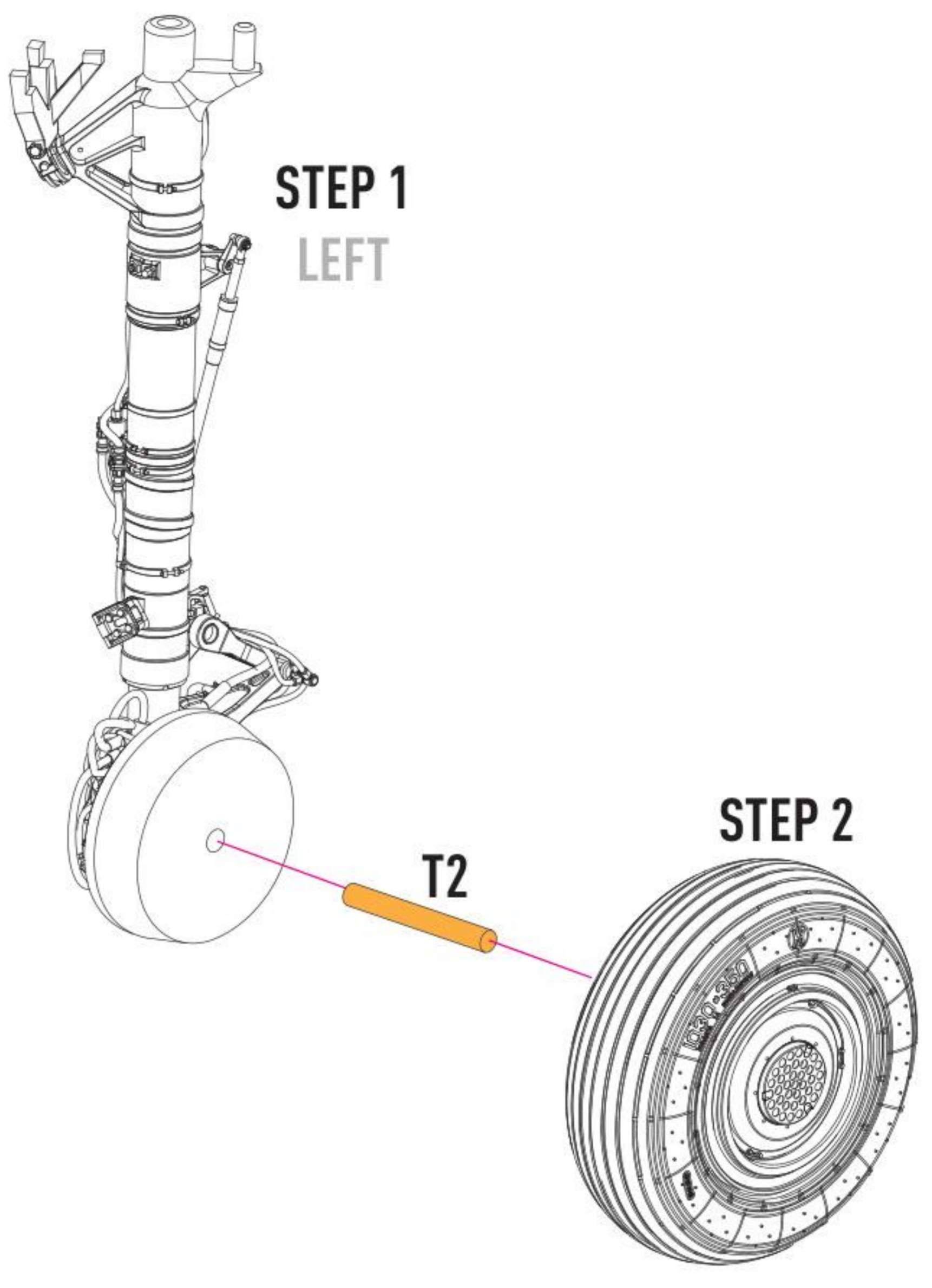
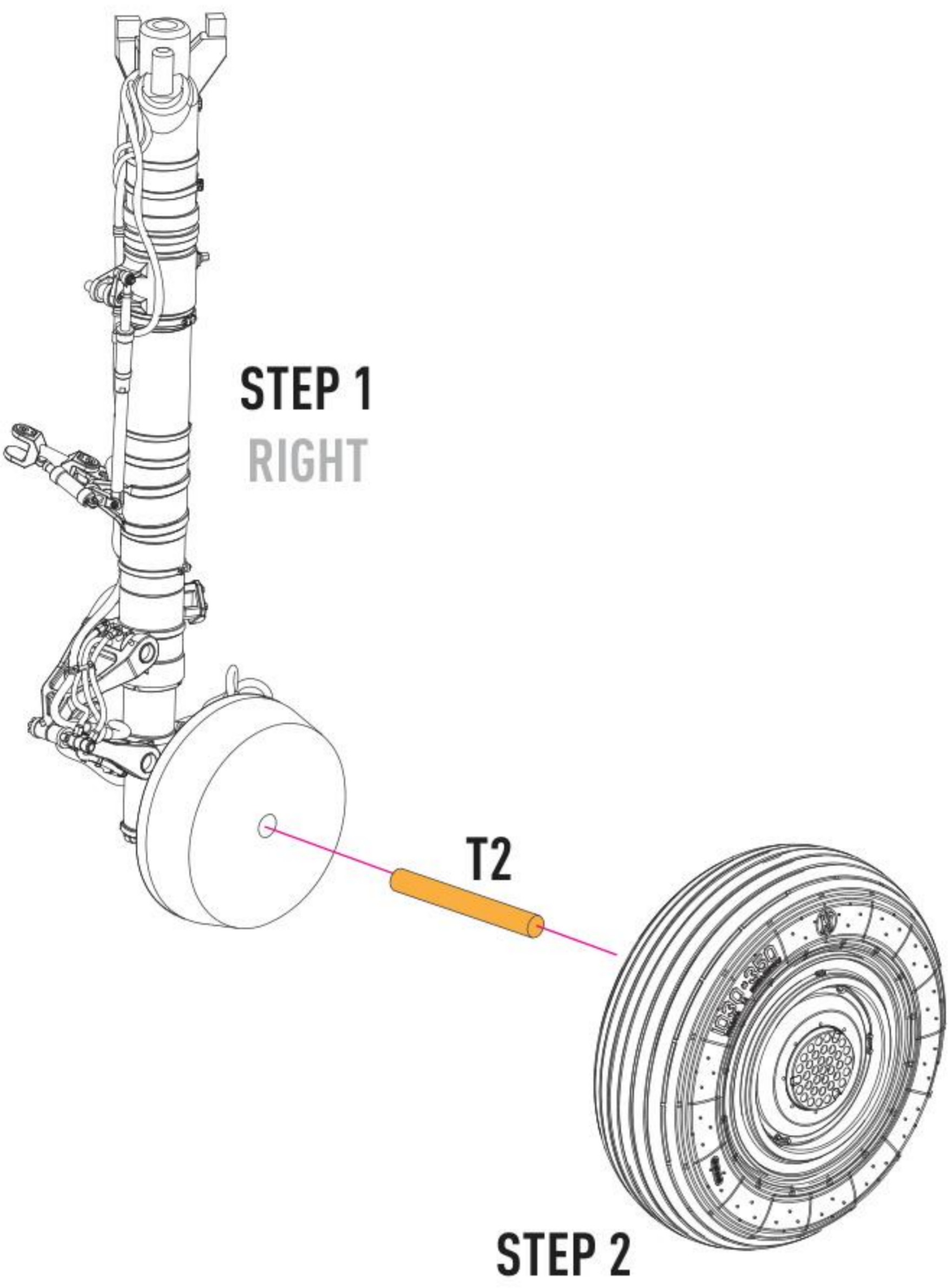
1



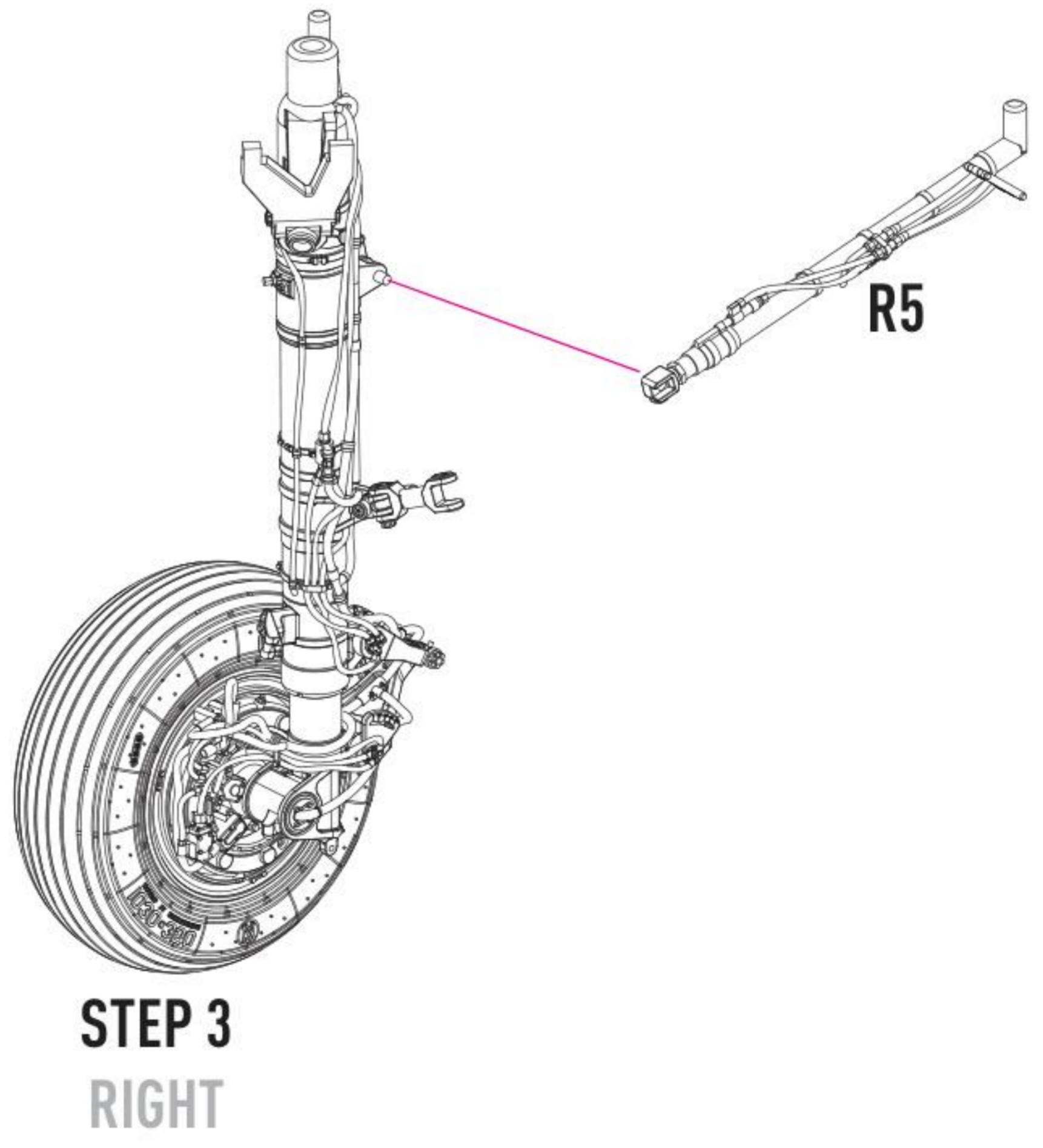
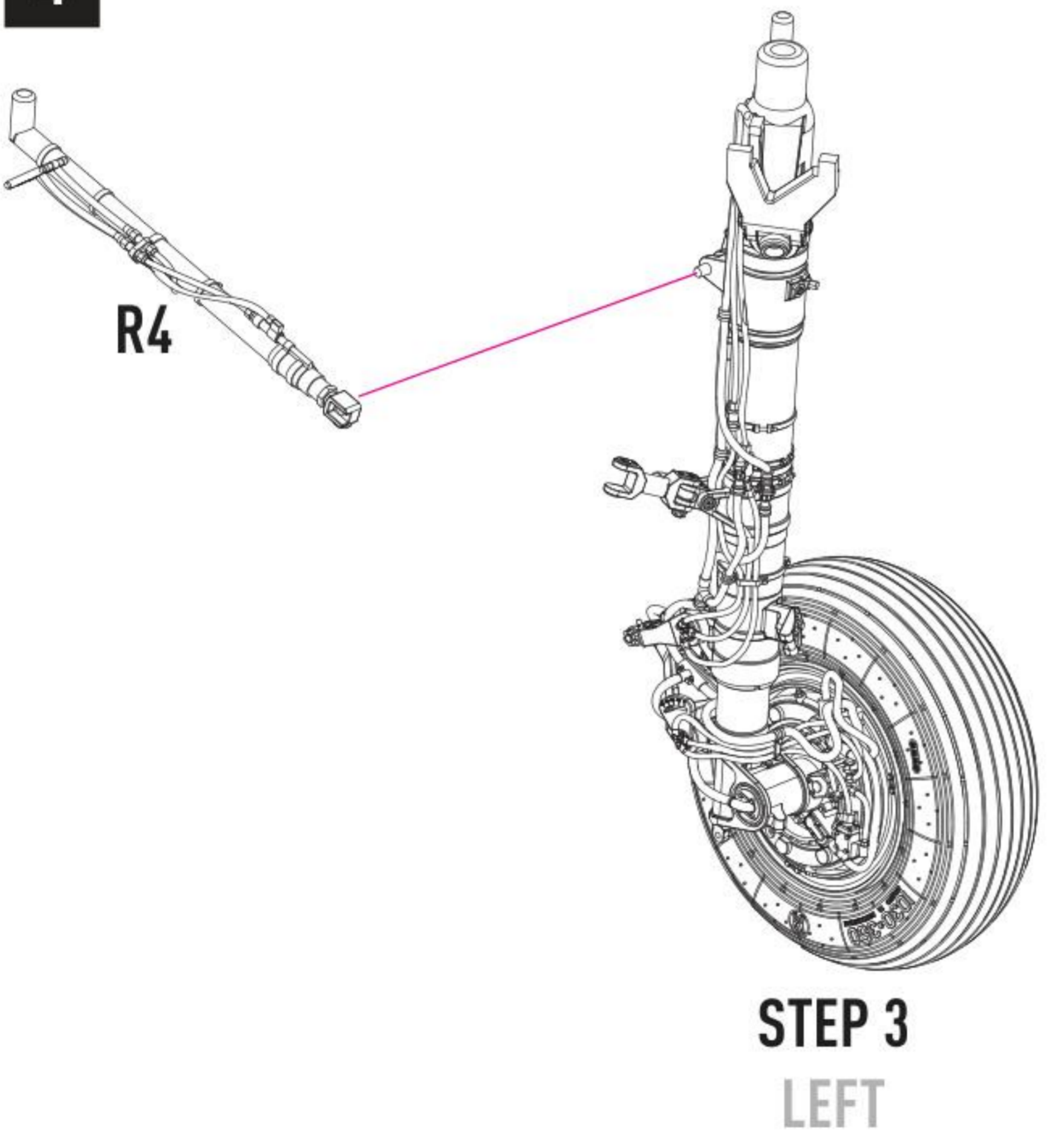
2



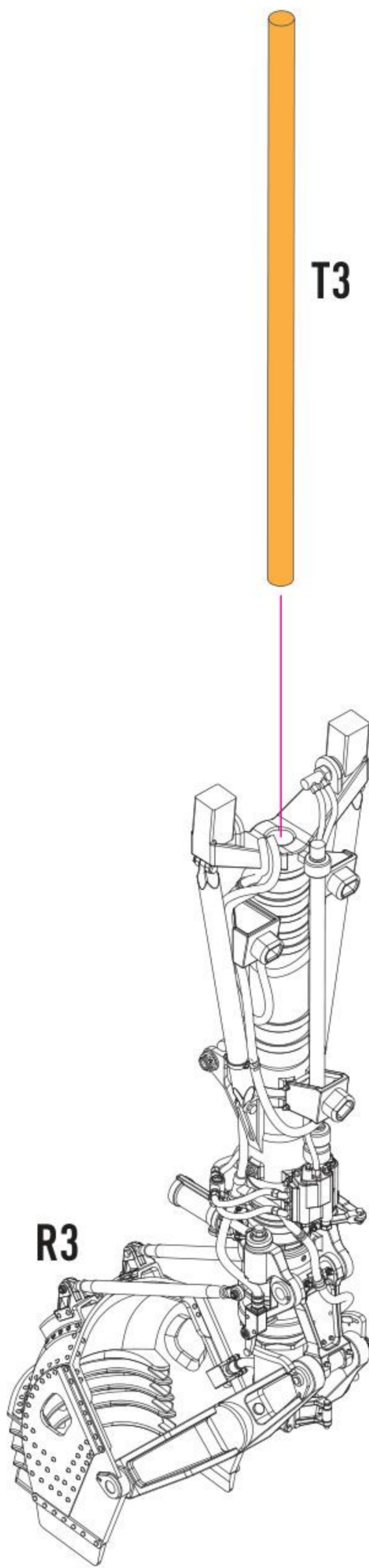
**3**



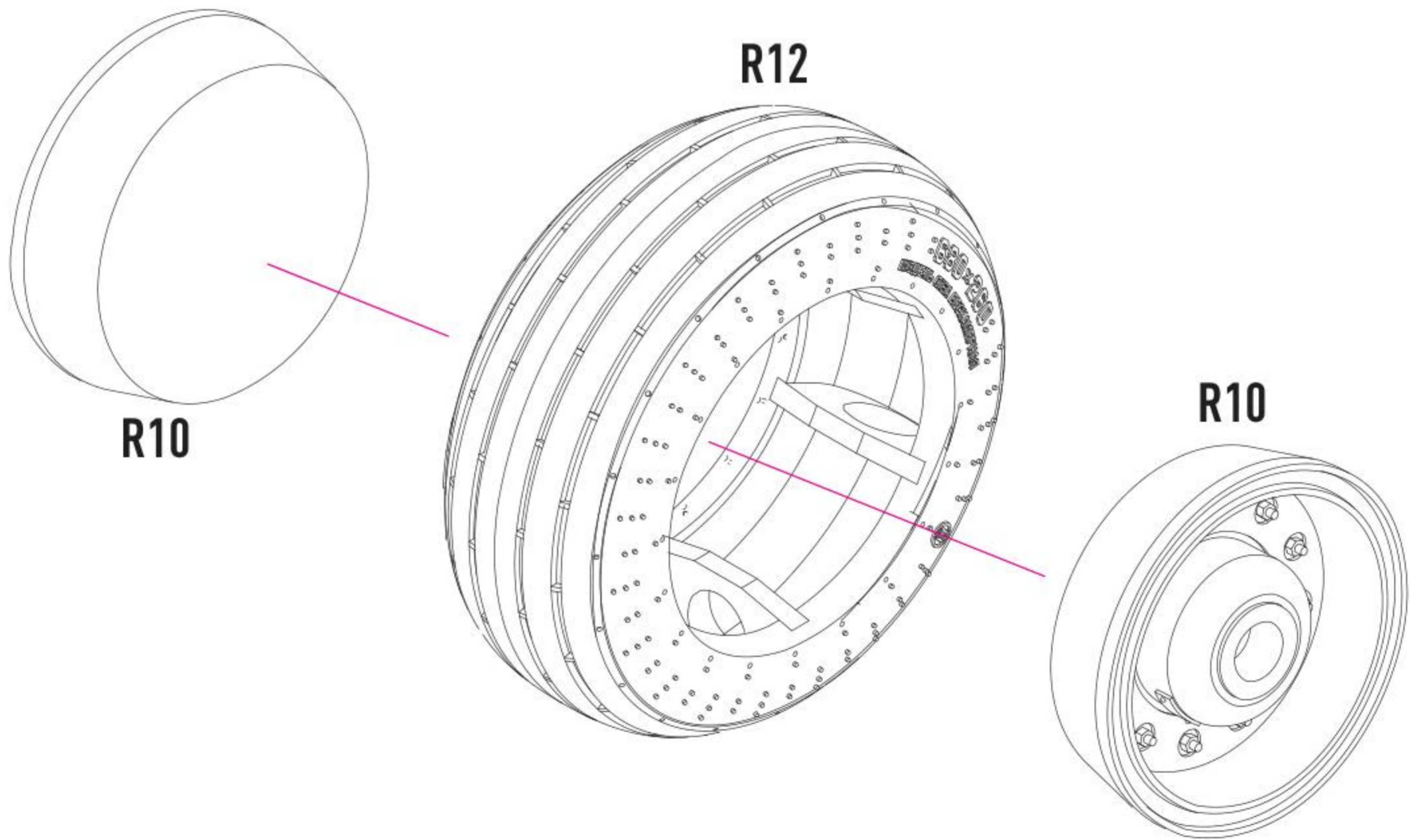
**4**



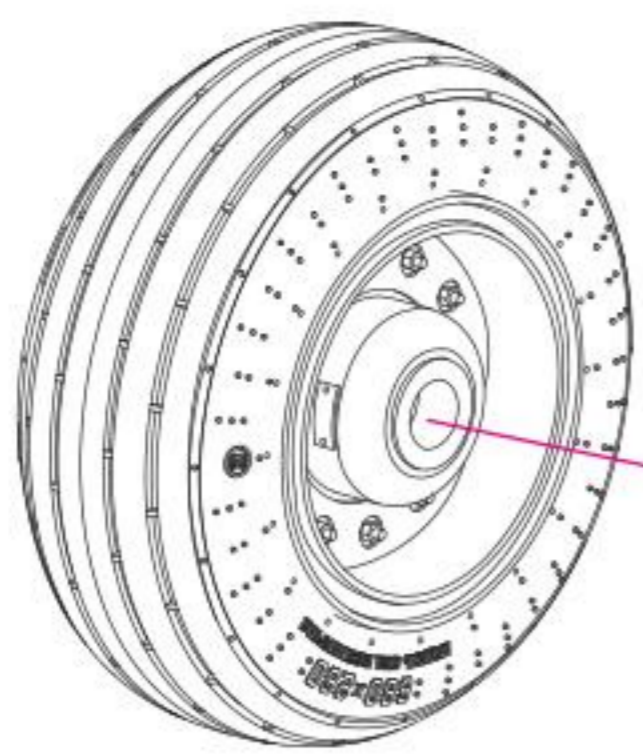
5



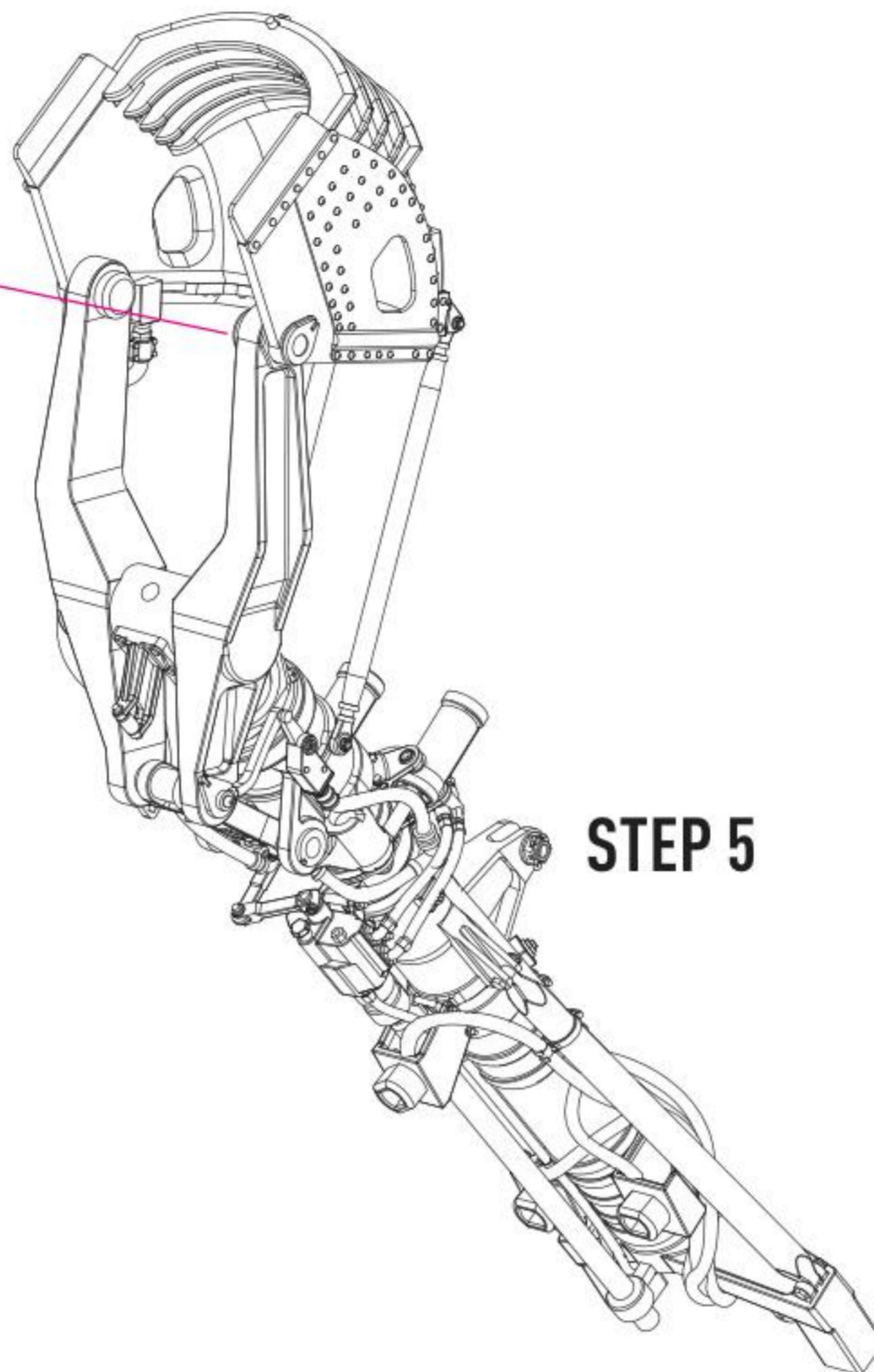
6



7

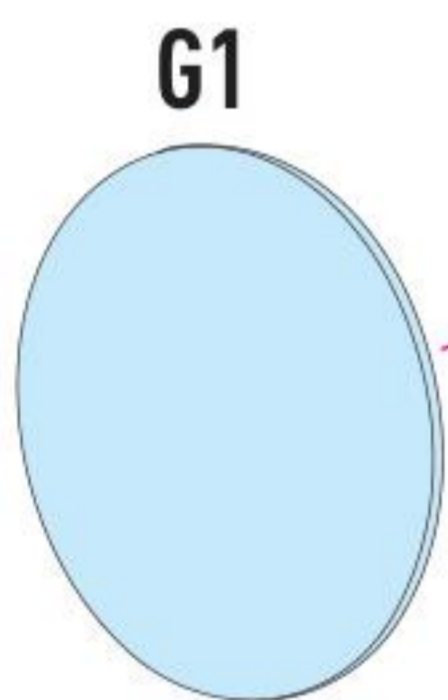


STEP 6

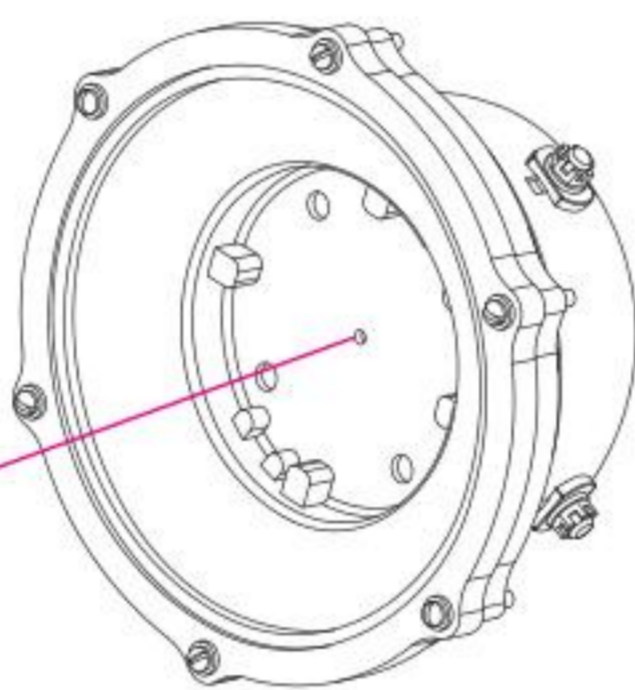


STEP 5

8 X2

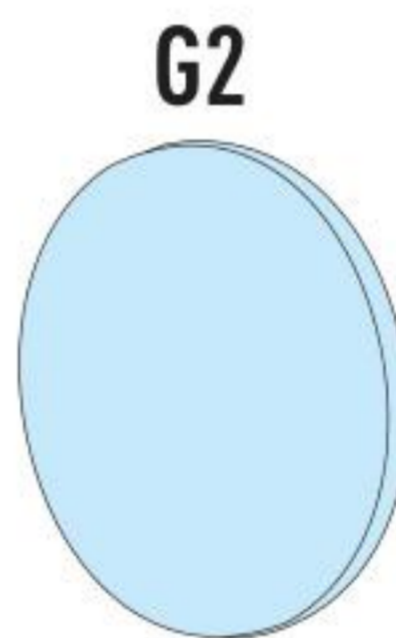


G1

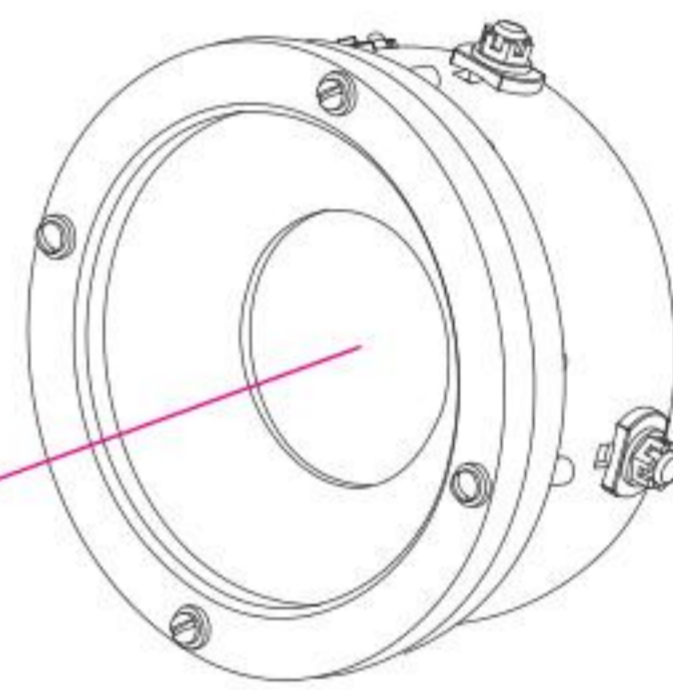


R9

9



G2

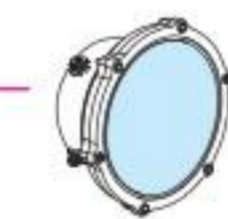
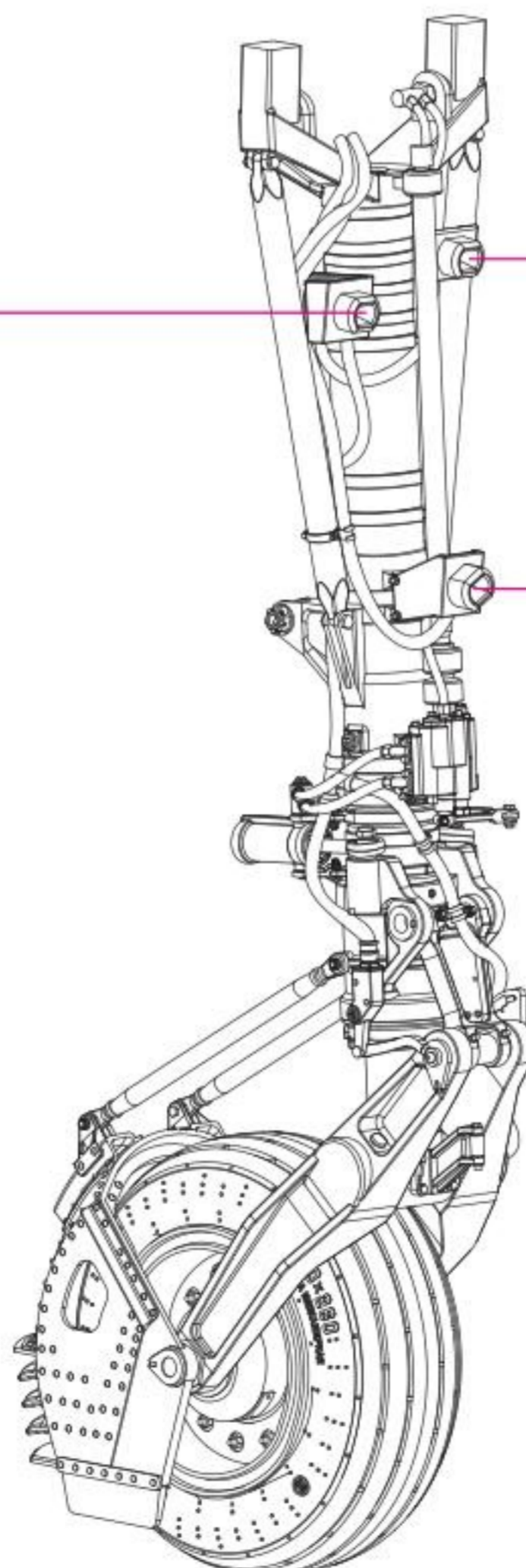


R8

10



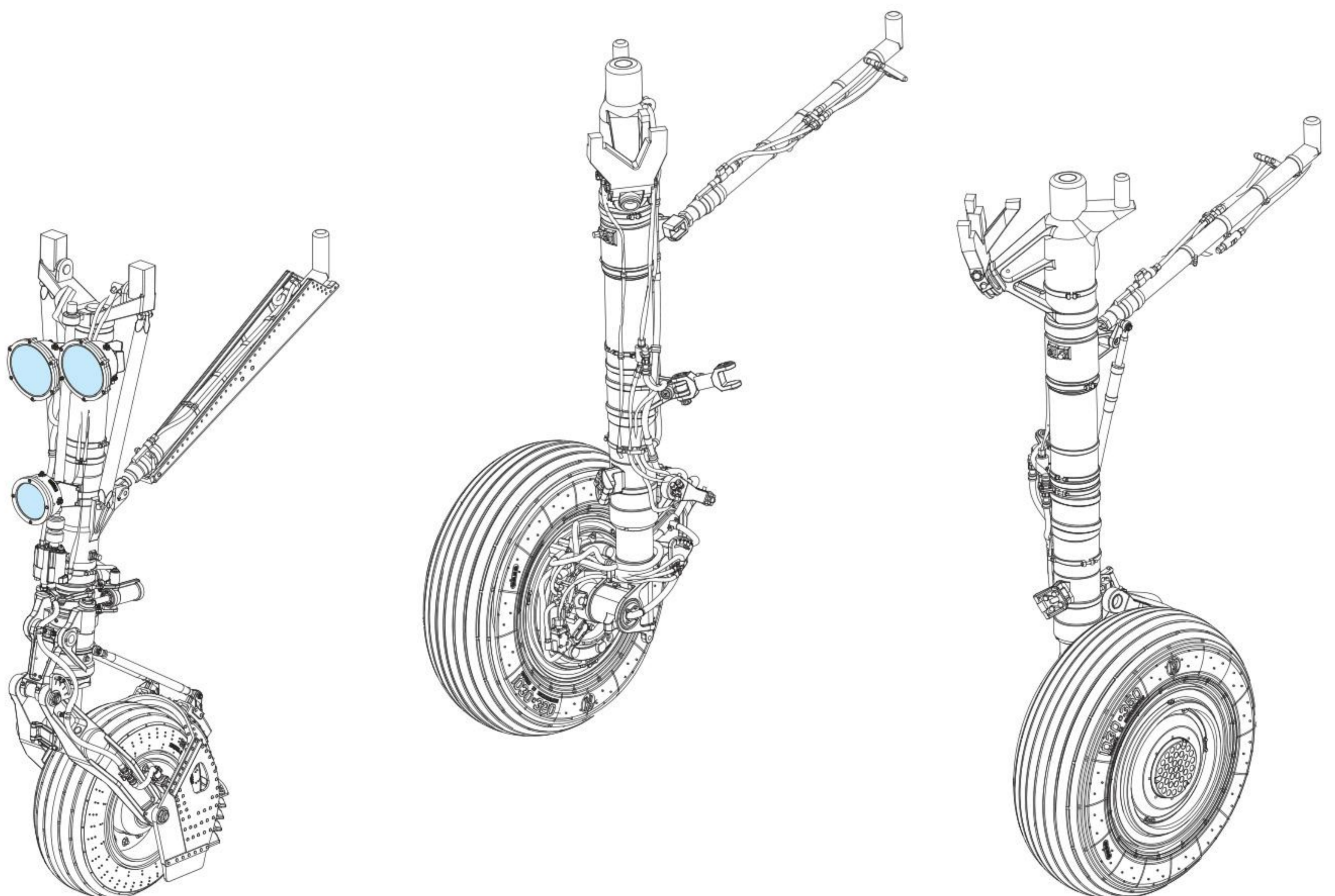
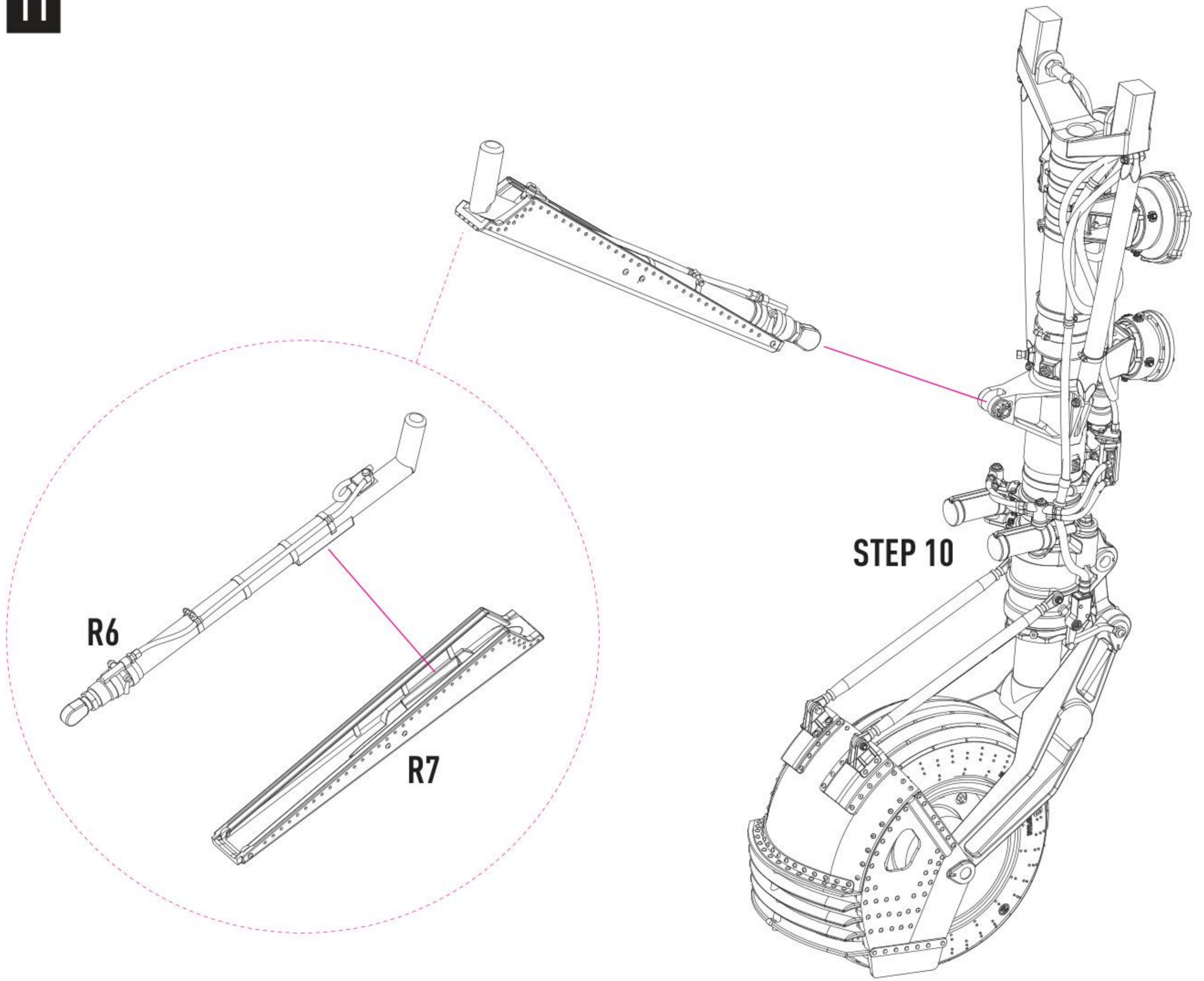
STEP 8



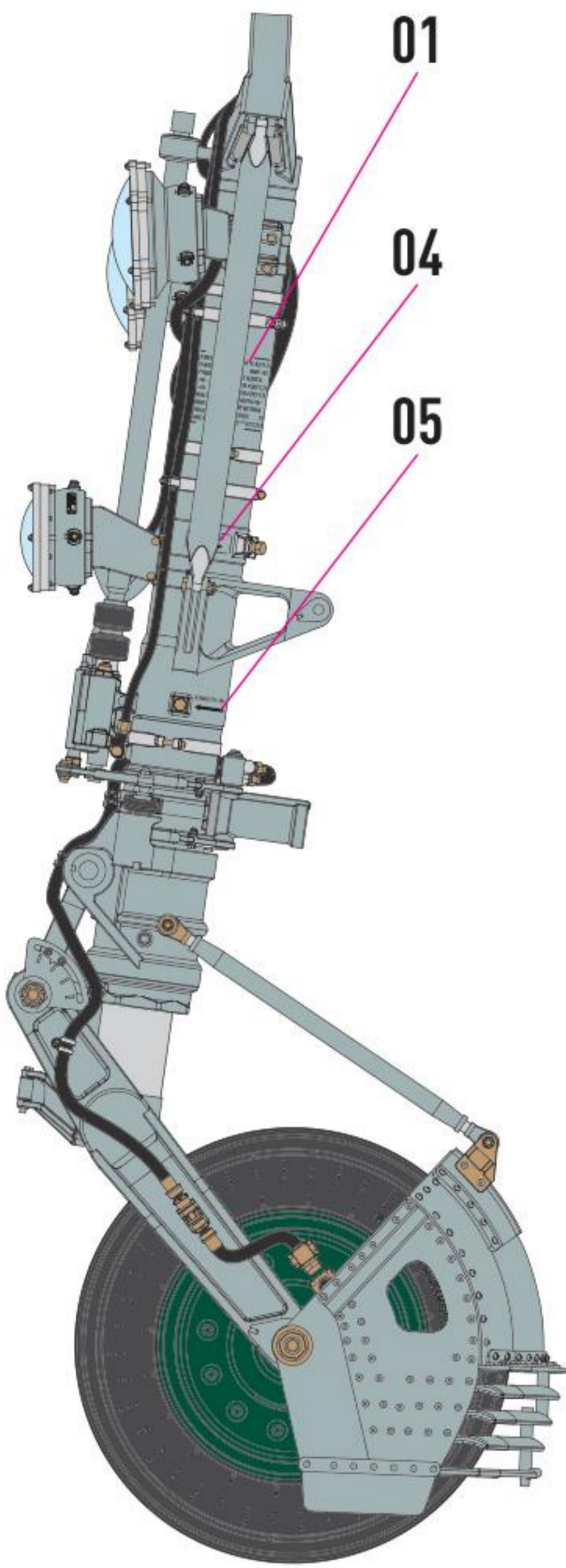
STEP 8



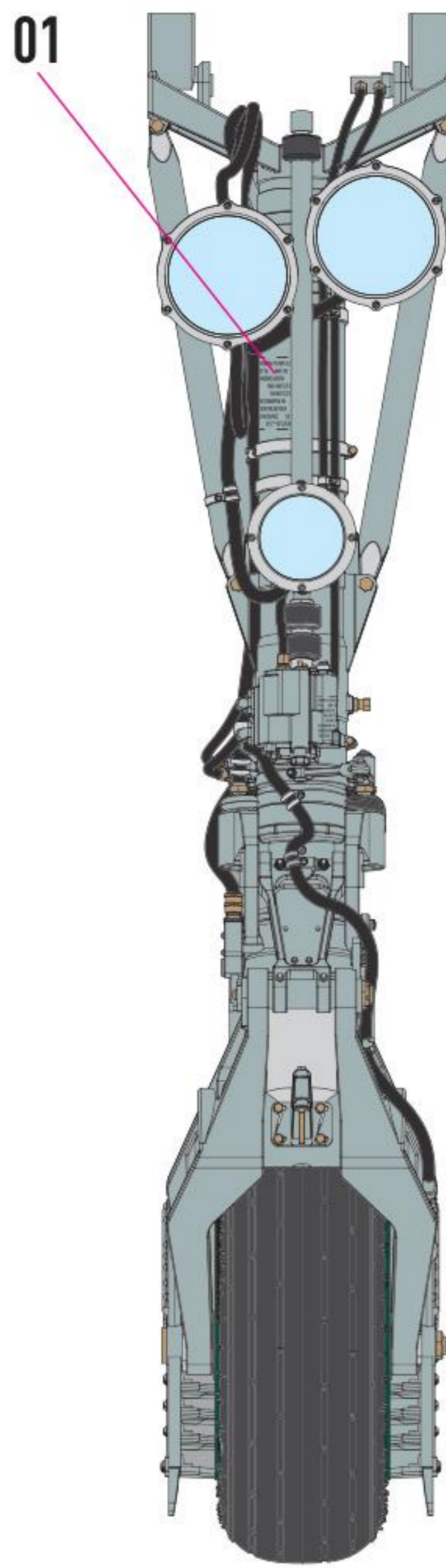
STEP 9



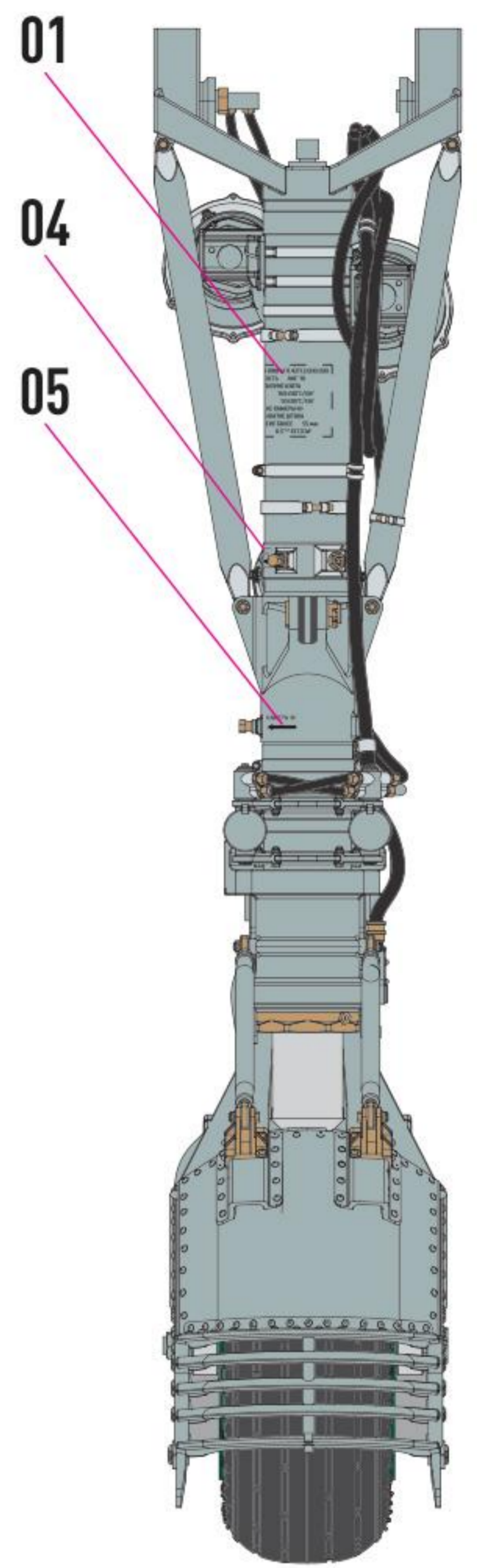
# DECAL INSTRUCTION



LEFT

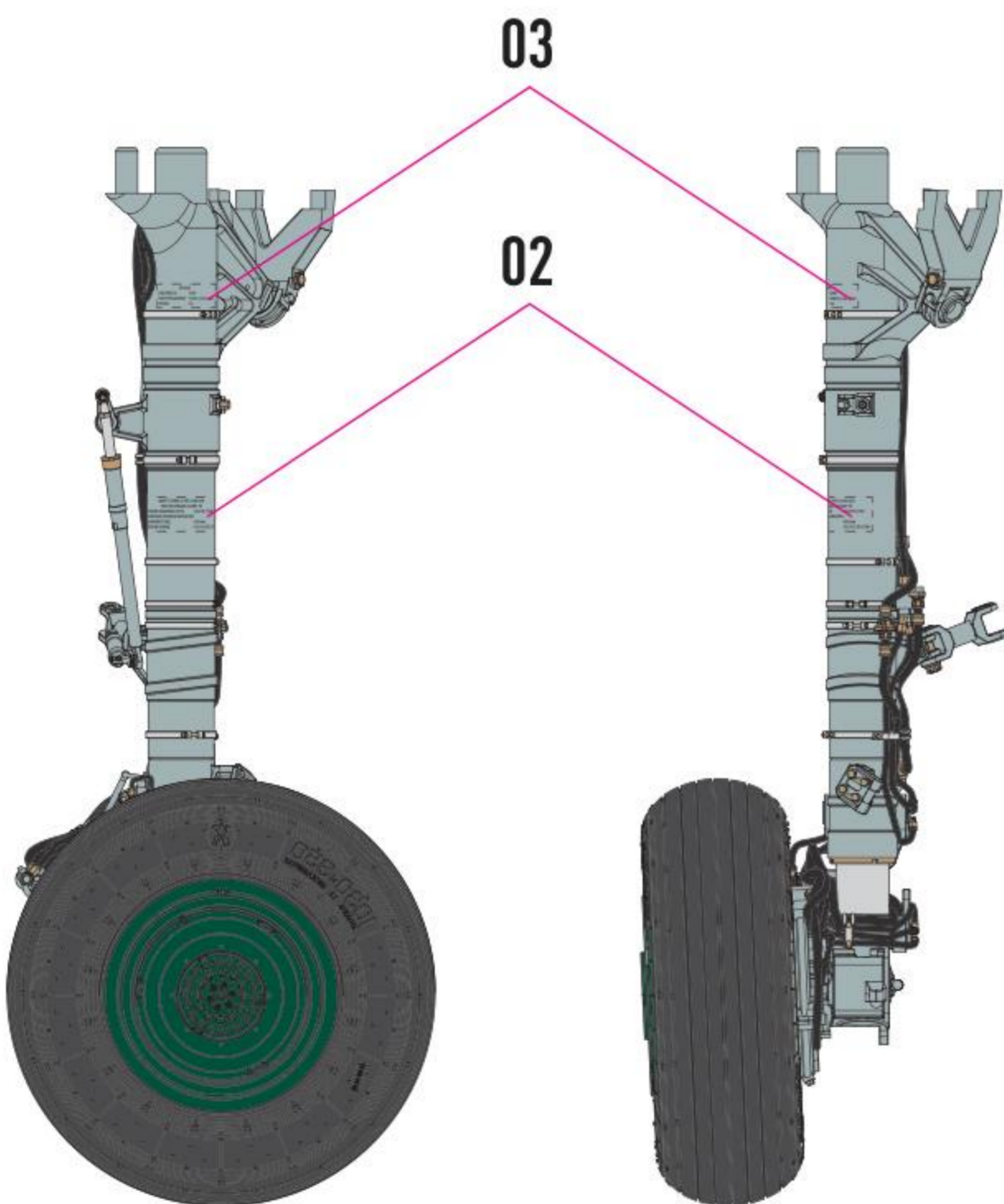


FRONT



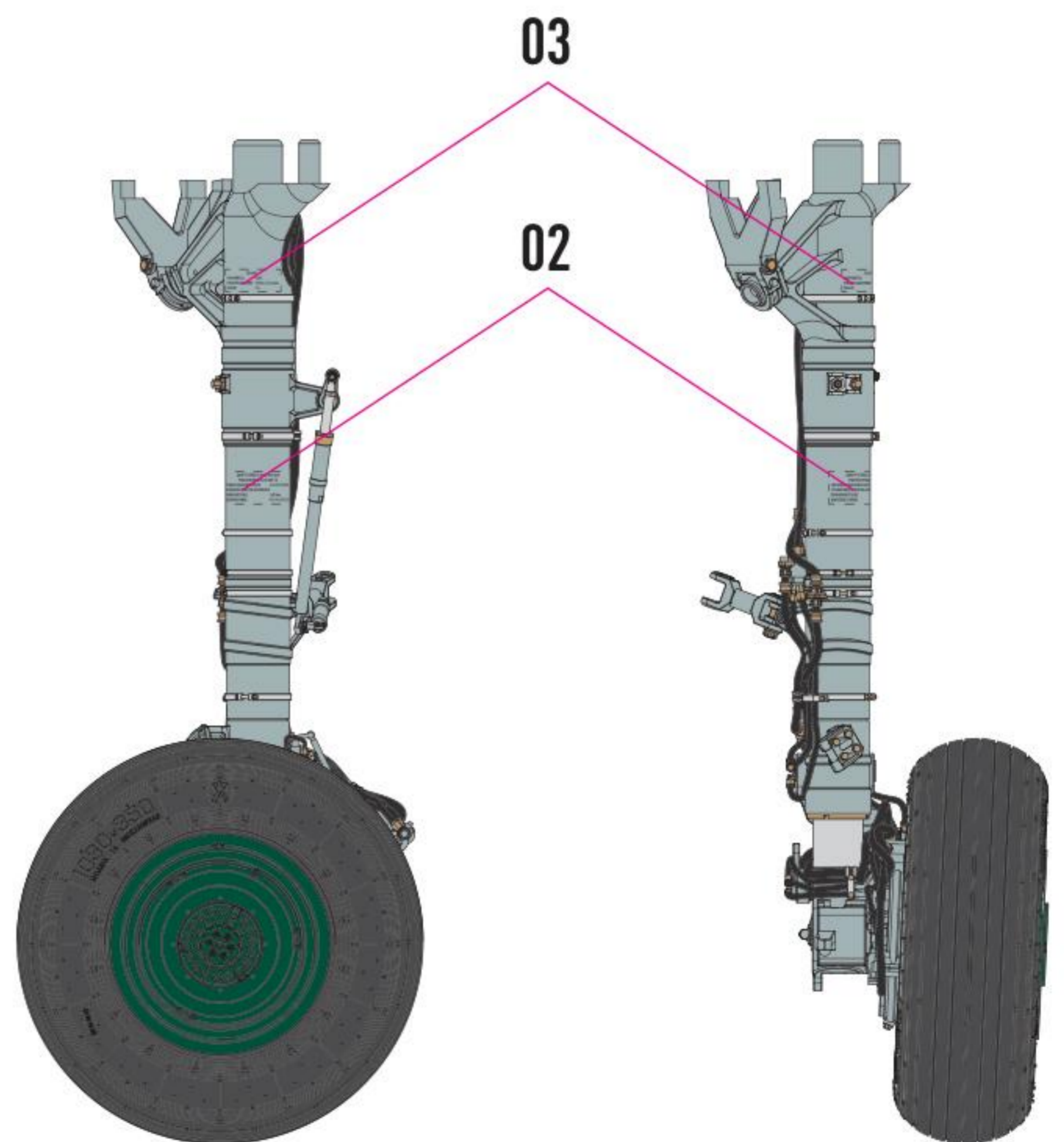
BACK

## NOSE LANDING GEAR



LEFT

FRONT



LEFT

FRONT

## RIGHT MAIN LANDING GEAR

## LEFT MAIN LANDING GEAR

**YOU CAN FIND INSTRUCTIONS  
IN PDF FORMAT ON THE WEBSITE**

**RESKIT-MODELS.COM**

**General Issues: [info@reskit.com.ua](mailto:info@reskit.com.ua)**

**Wholesales: [sales@reskit.com.ua](mailto:sales@reskit.com.ua)**

**Claim Resolution: [claims@reskit.com.ua](mailto:claims@reskit.com.ua)**