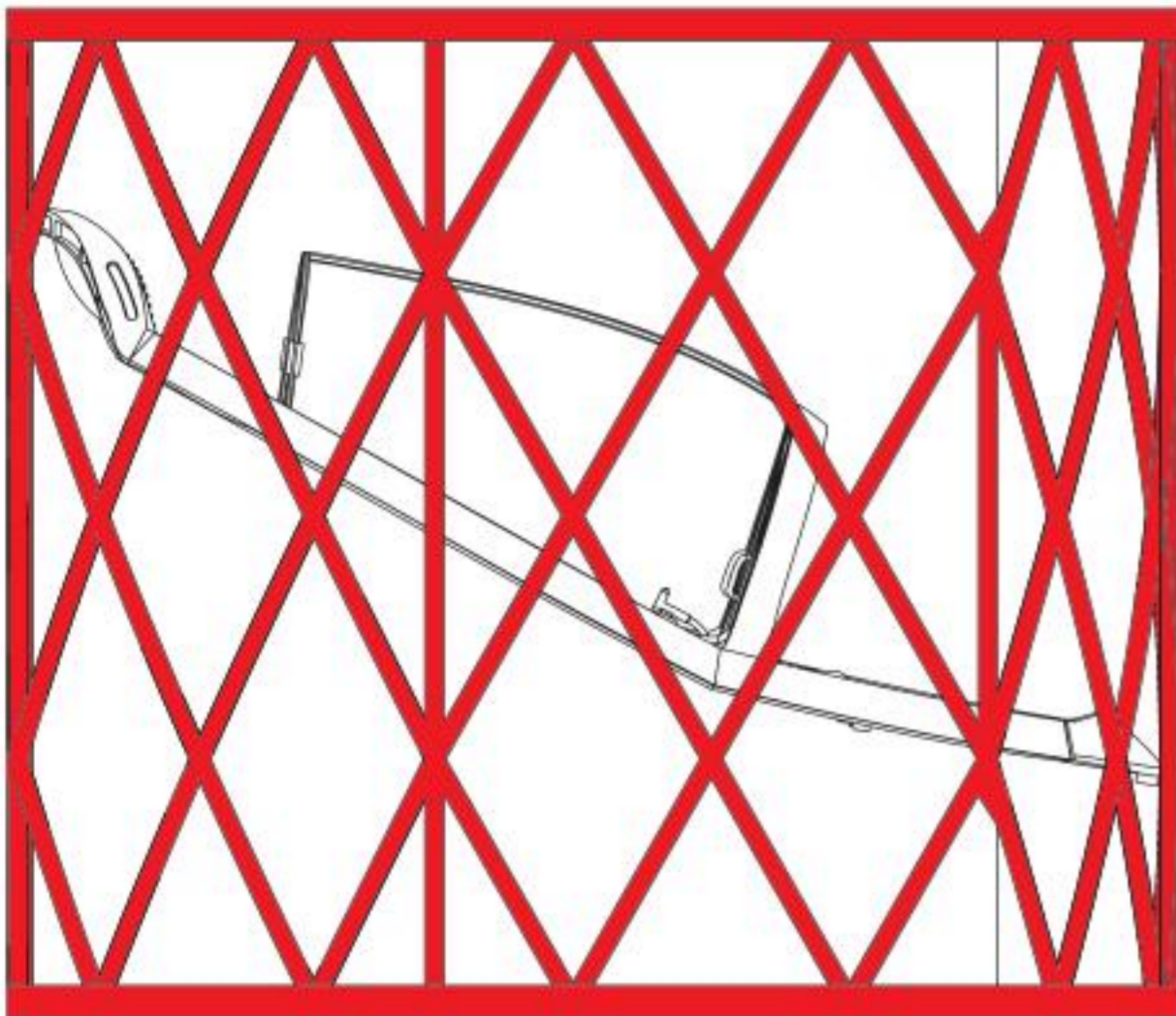
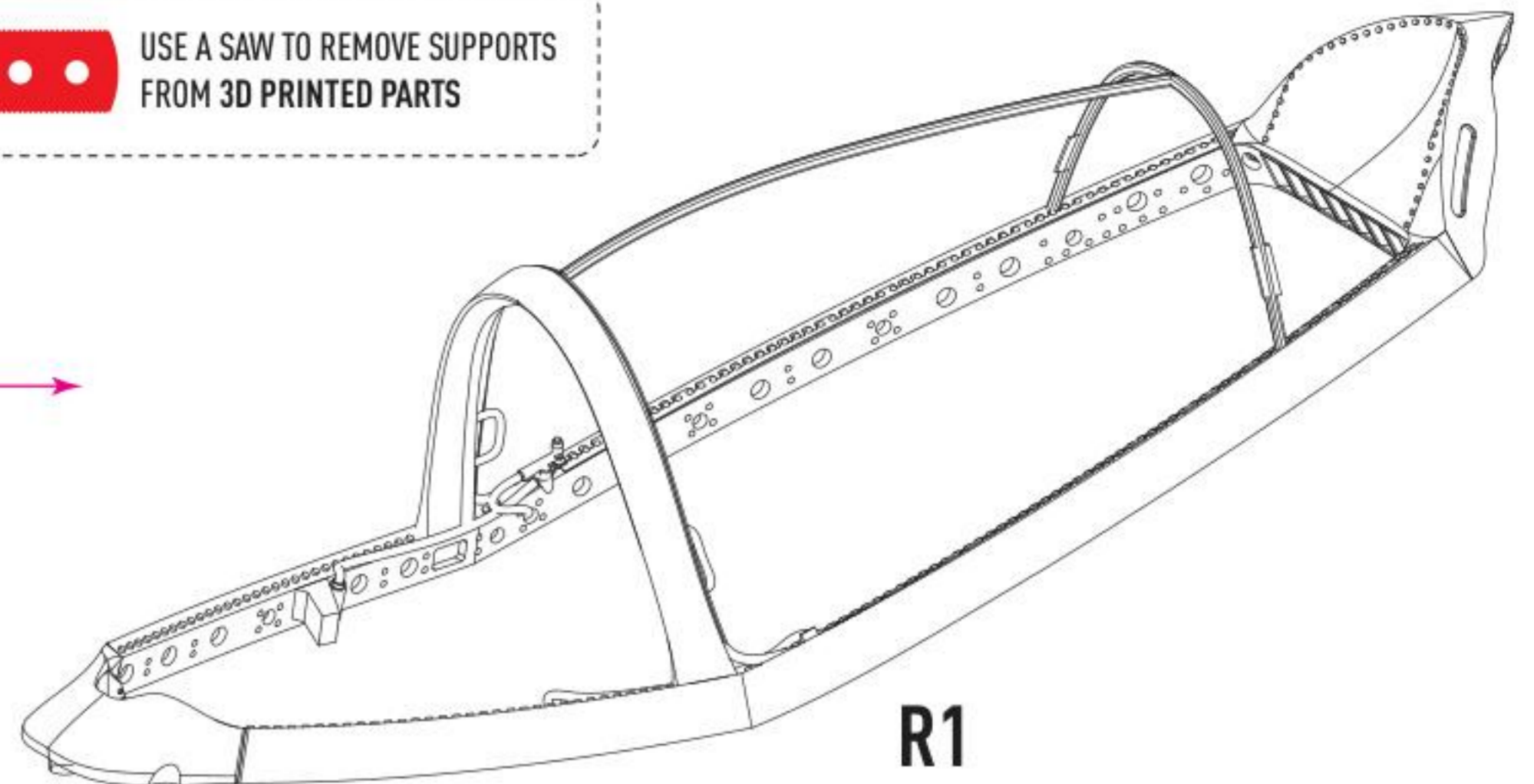


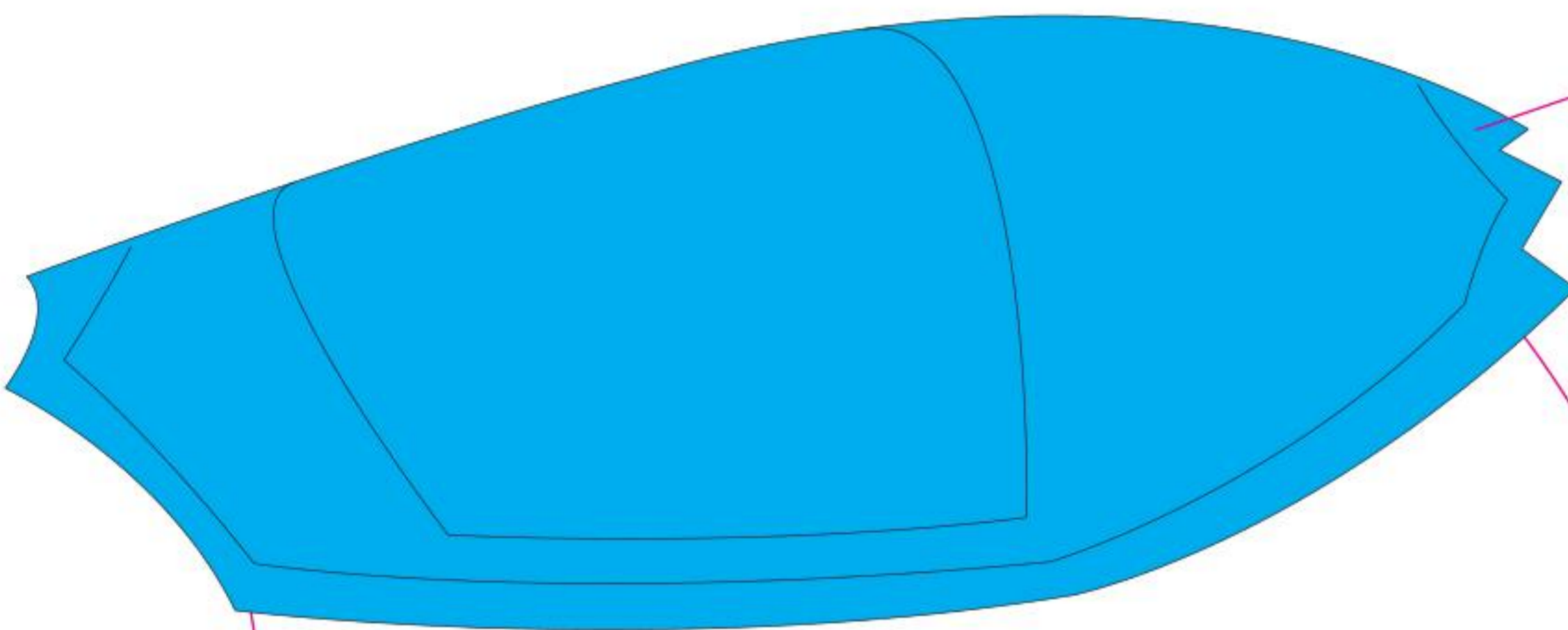
**REMOVE PROTECTIVE COVER**



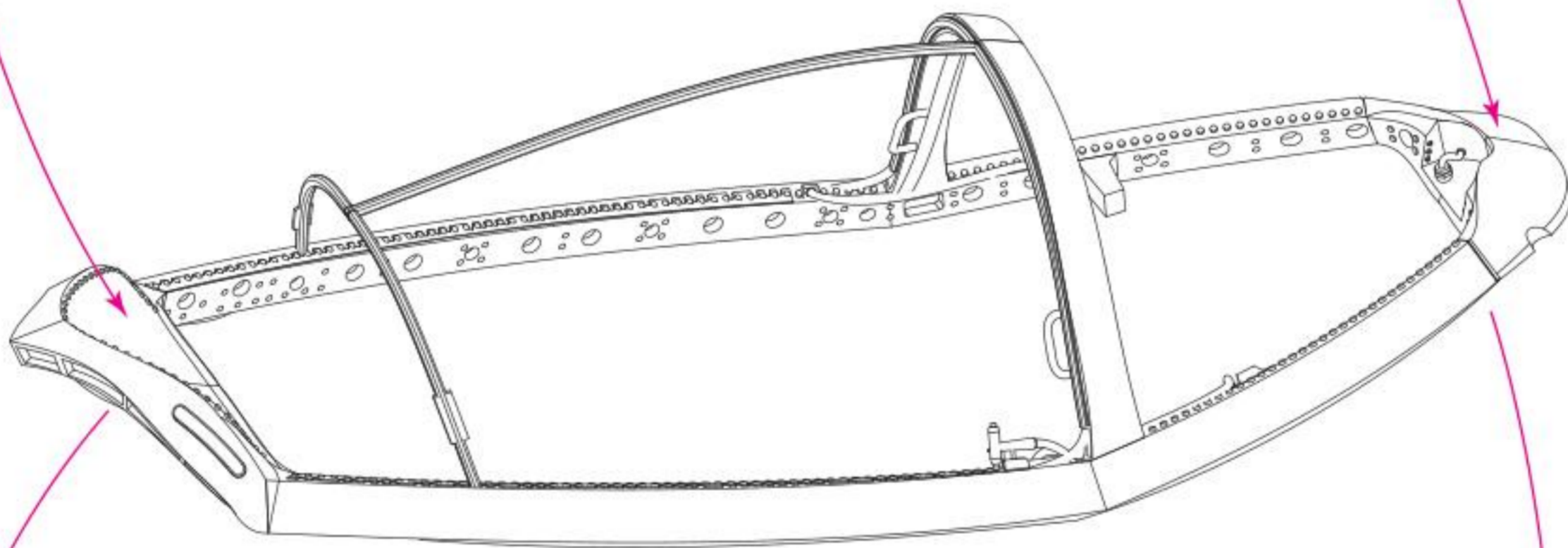
USE A SAW TO REMOVE SUPPORTS  
FROM 3D PRINTED PARTS



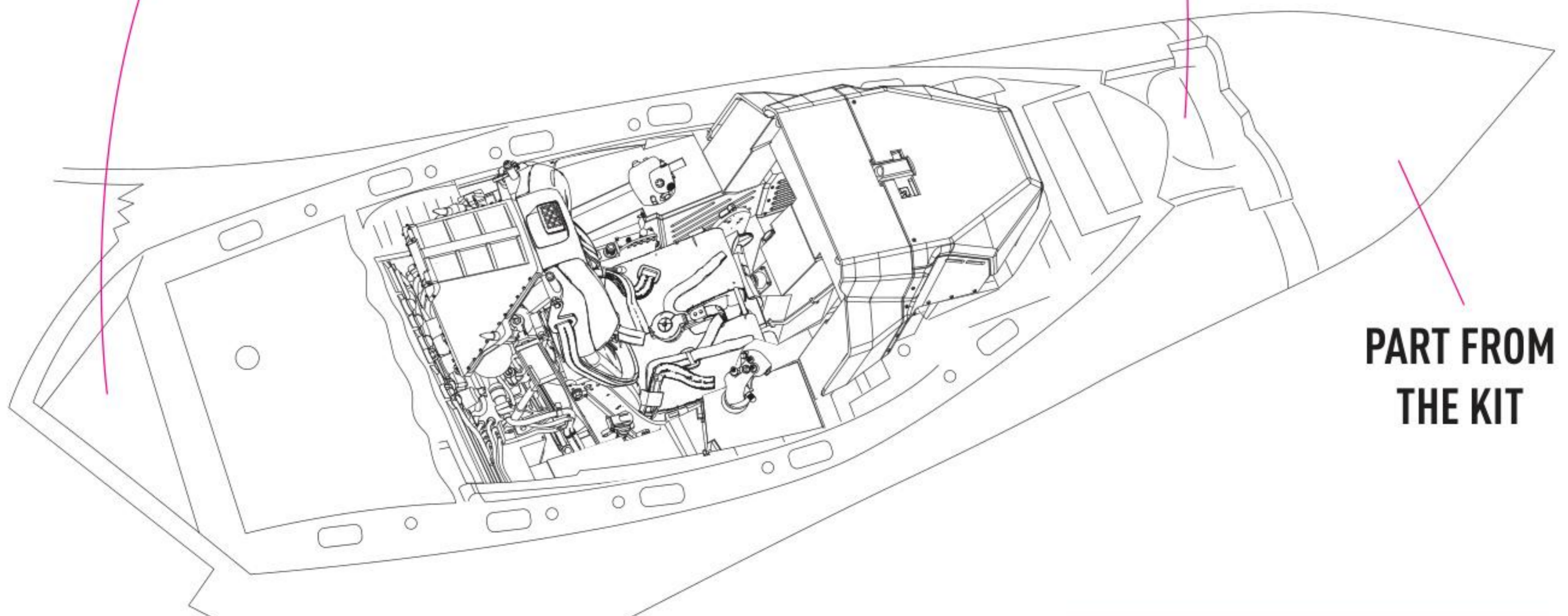
R1



PART FROM  
THE KIT



R1



PART FROM  
THE KIT