
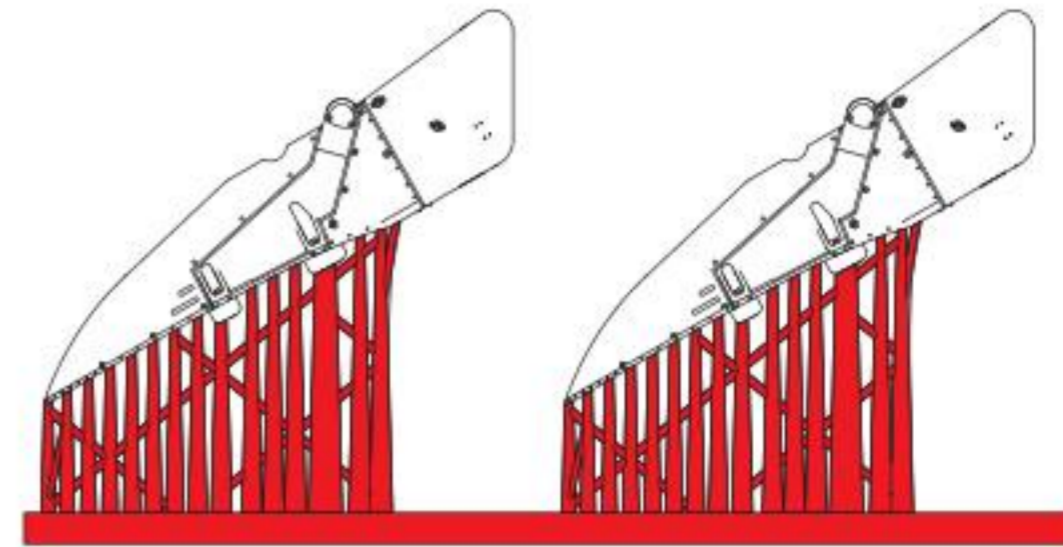


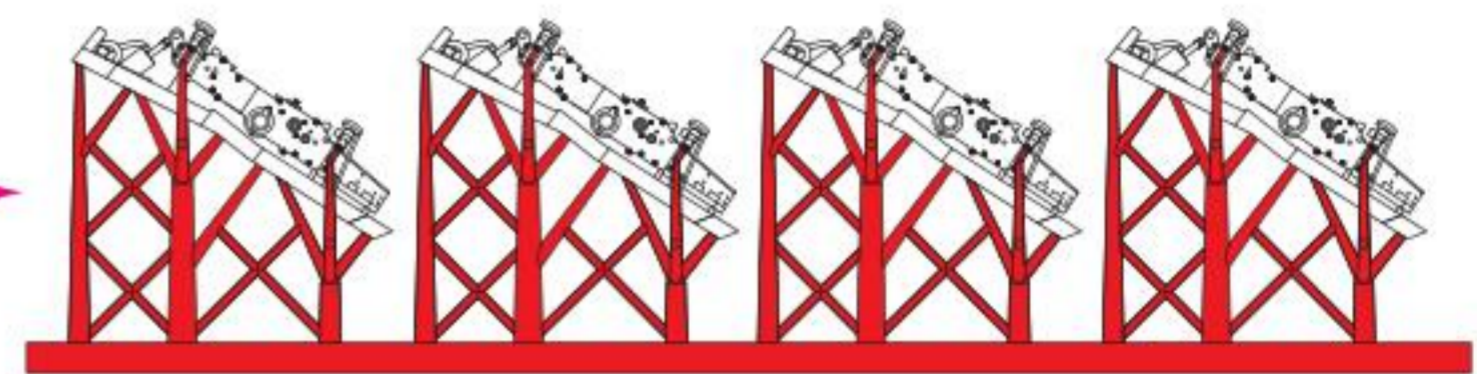
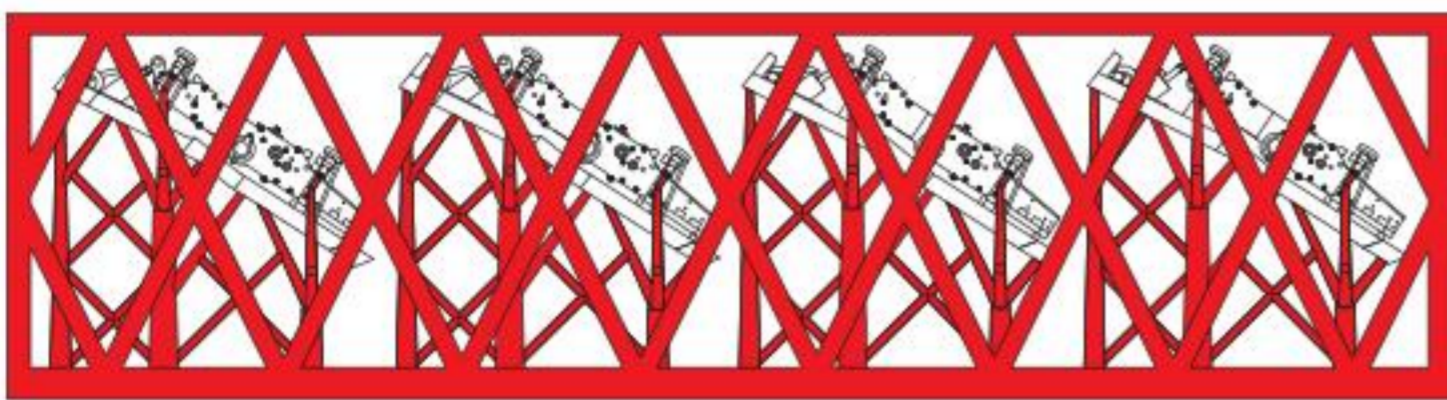
CUT

**REMOVE
 PROTECTIVE COVER**

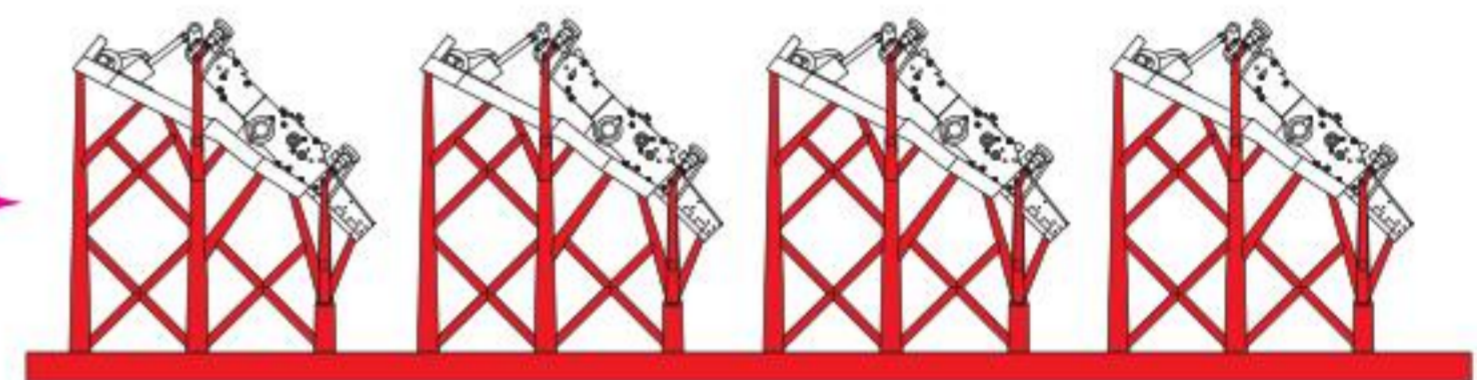
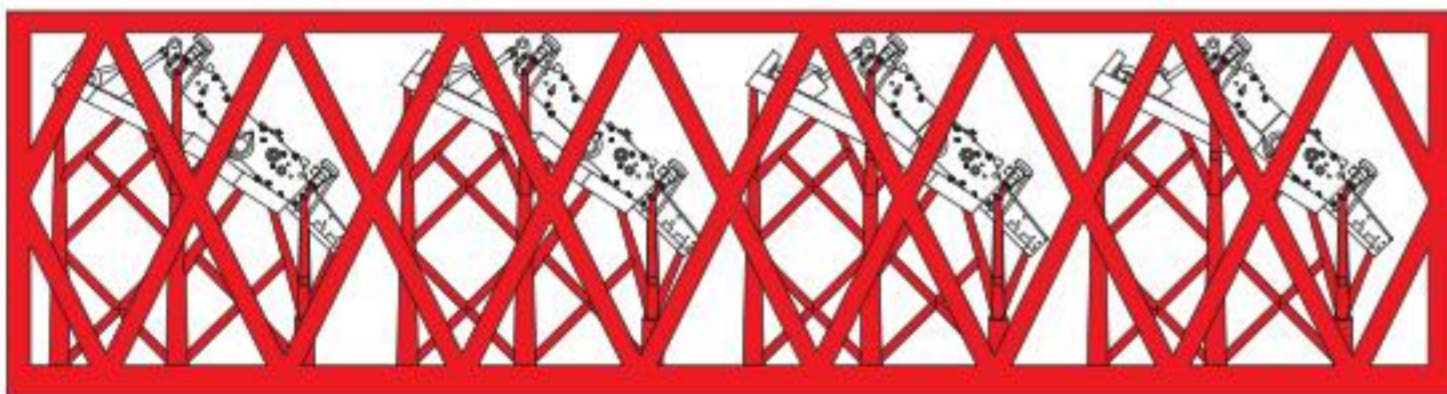
 USE A SAW TO REMOVE SUPPORTS
 FROM 3D PRINTED PARTS



R1 R2 R3 R4

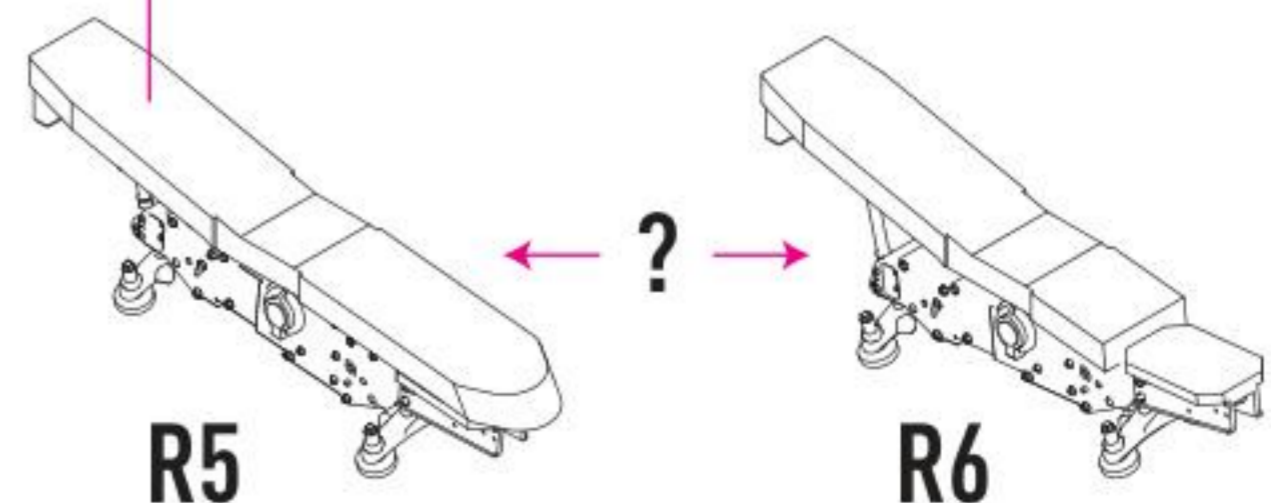
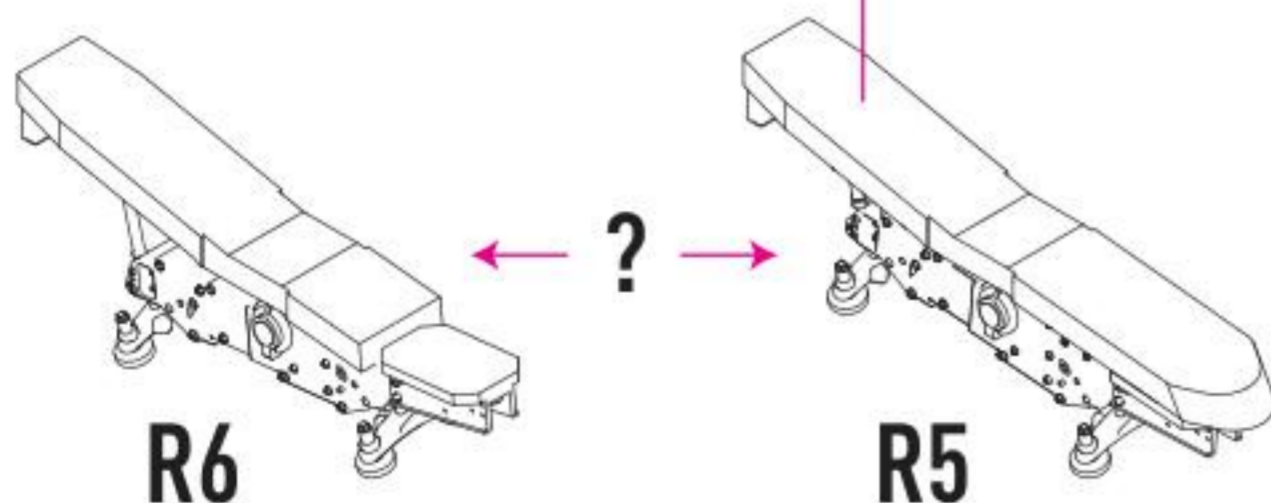
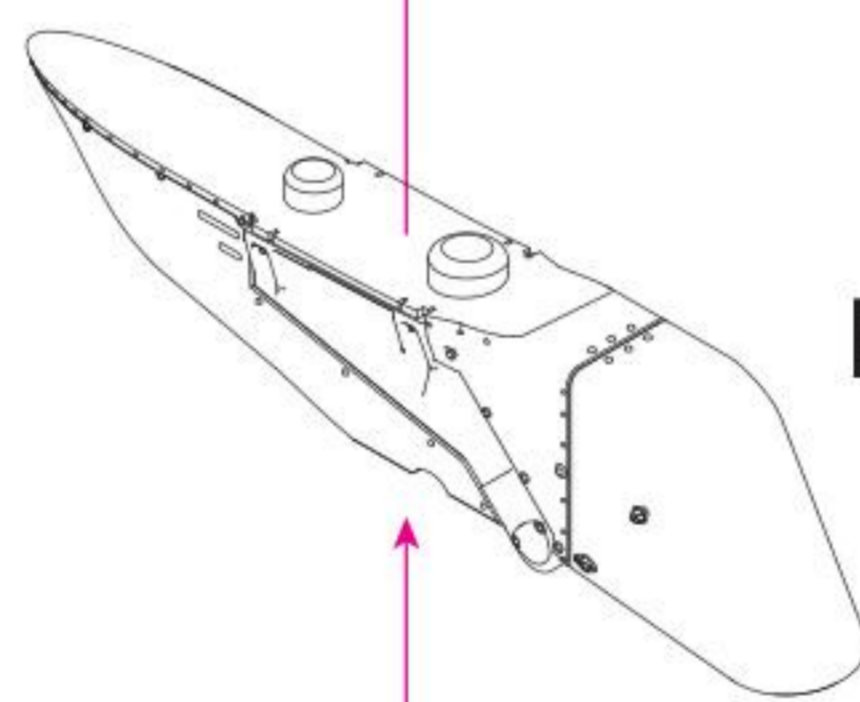
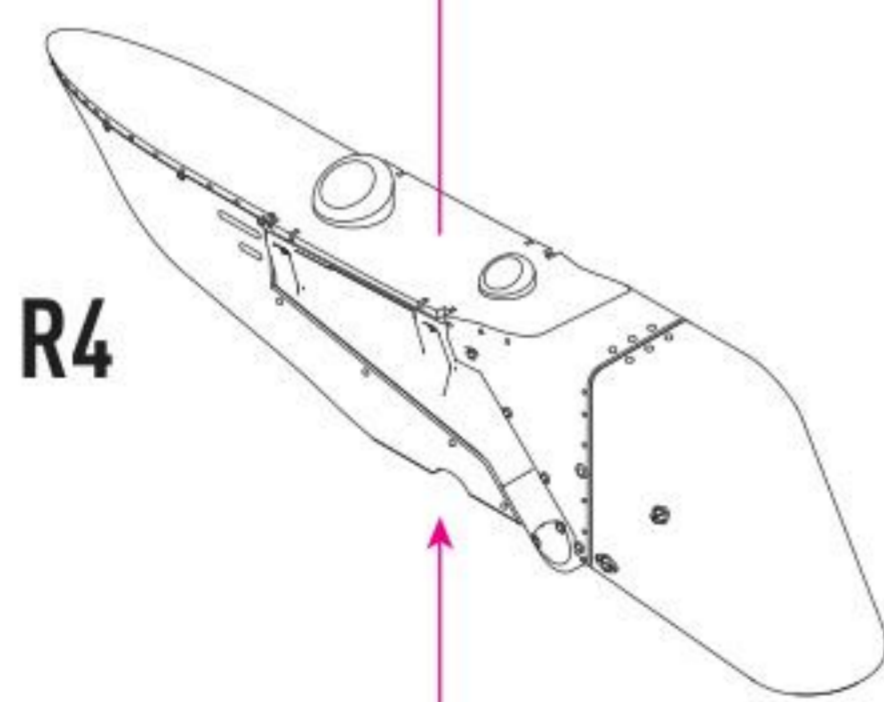
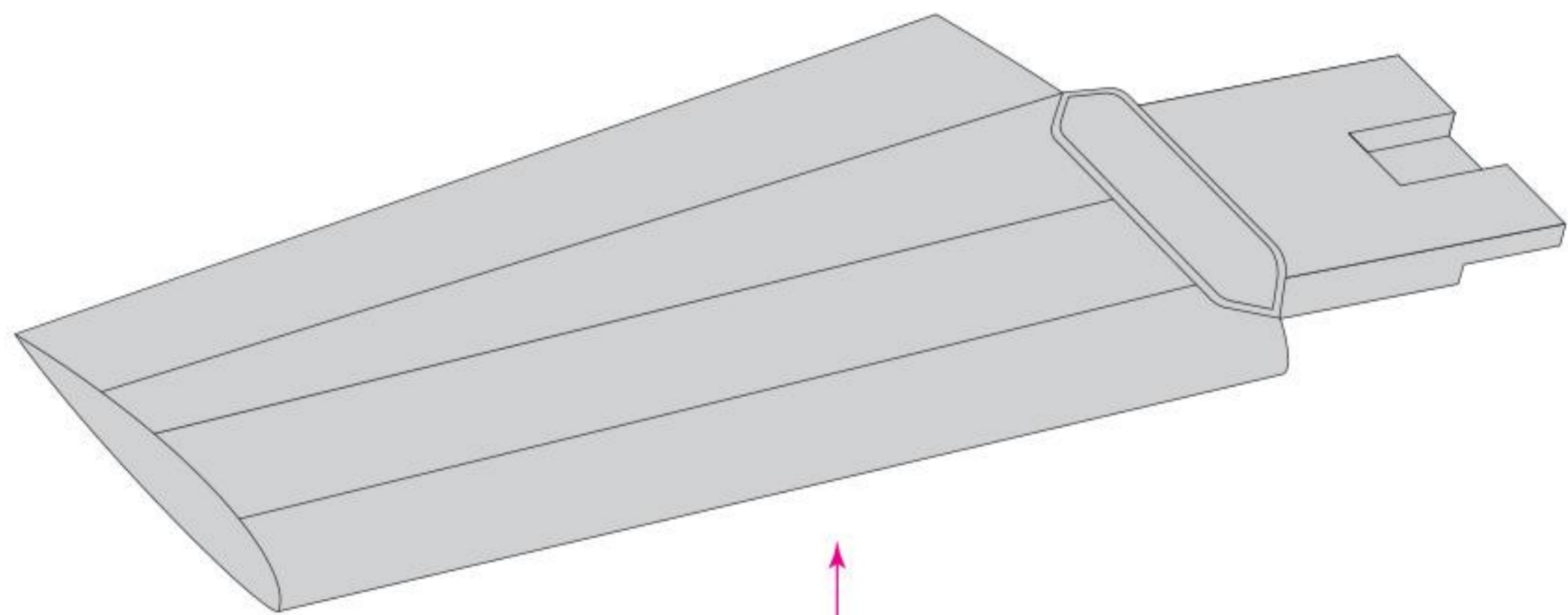


R5



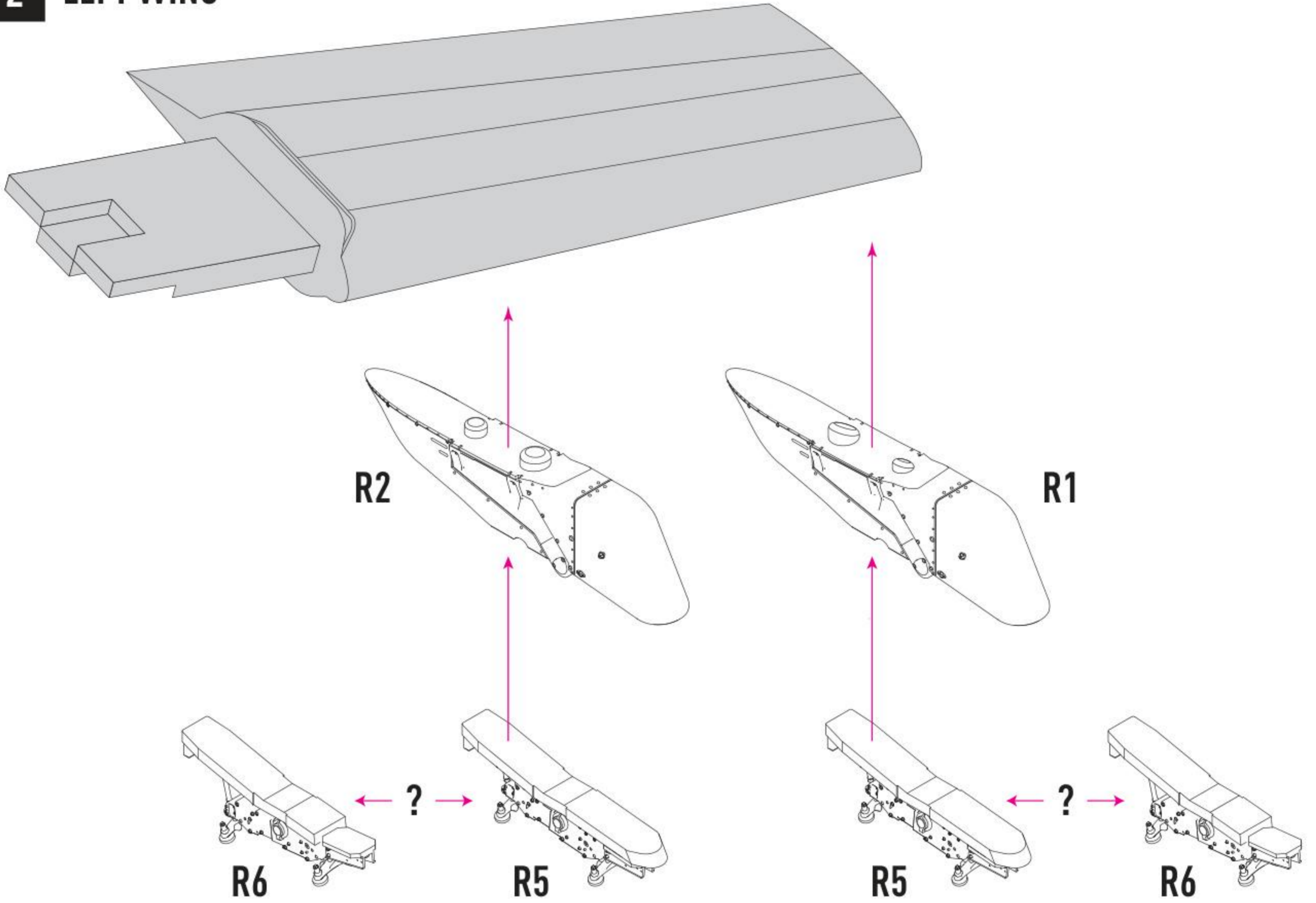
R6

1 RIGHT WING



R5 - LOADING WEAPONS, R6 - LOADED IN PARKING POSITION

2 LEFT WING



R5 - LOADING WEAPONS, R6 - LOADED IN PARKING POSITION

LEFT VIEW

