



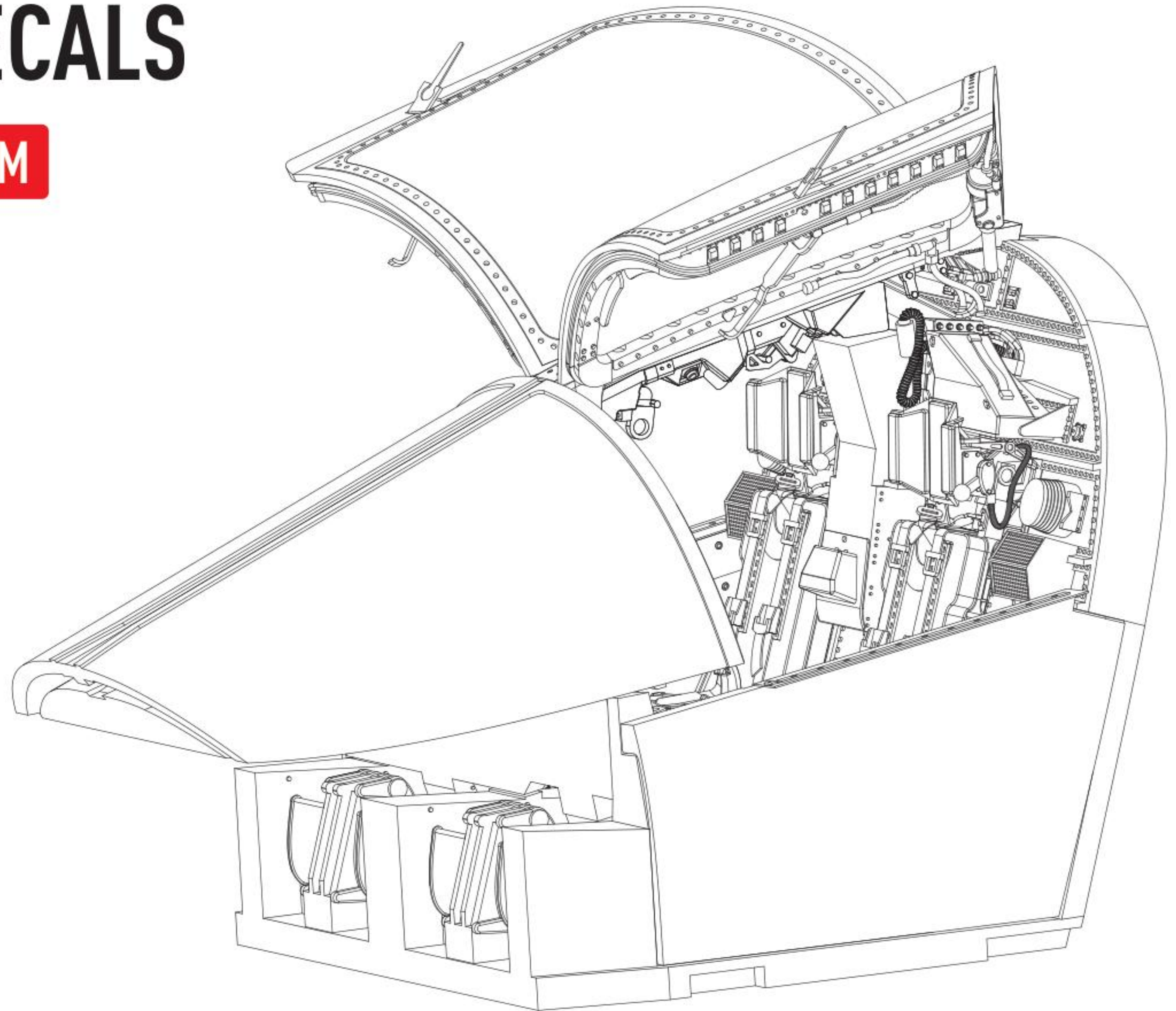
RESIN PARTS
FOR SCALE PLASTIC KITS

YOU CAN FIND INSTRUCTIONS
IN PDF FORMAT ON THE WEBSITE

INSTRUCTION **RSU48-0237**


F-111C COCKPIT **LATE MODIFICATION** WITH 3D DECALS

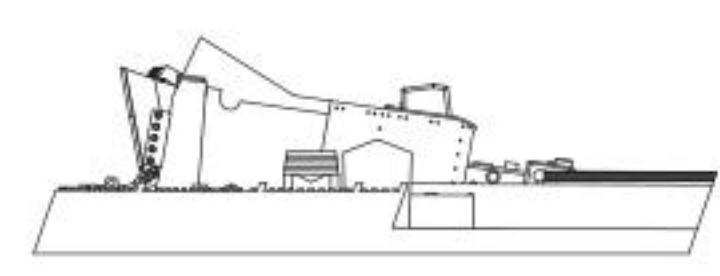
RESKIT-MODELS.COM



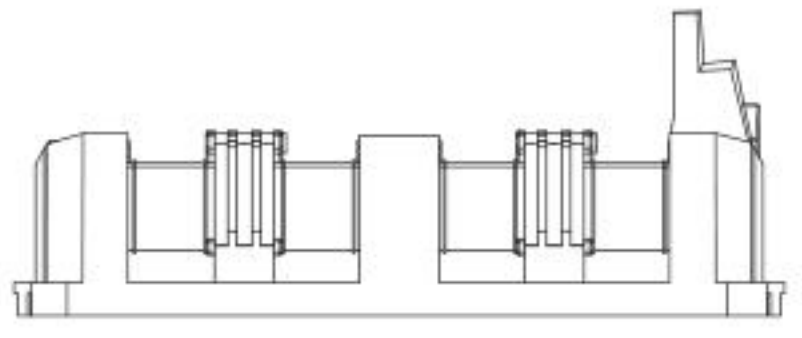
3D PRINTED
PARTS

FOR ACADEMY KIT

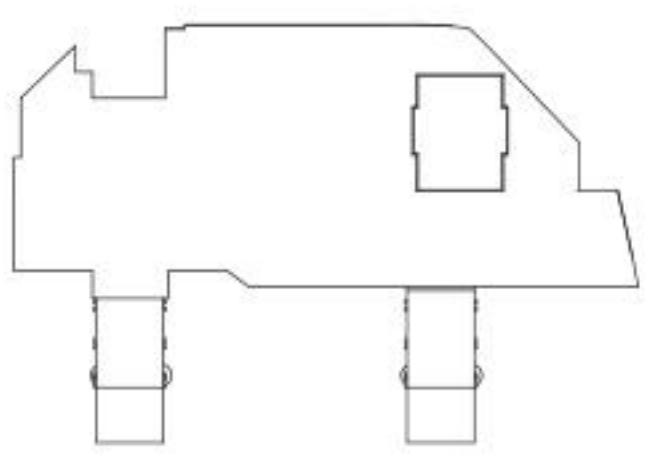
 USE A SAW TO REMOVE SUPPORTS FROM 3D PRINTED PARTS



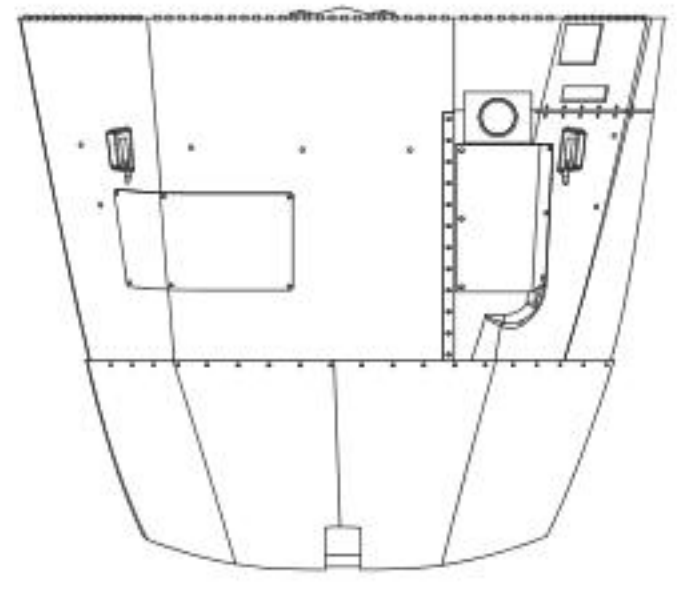
R1



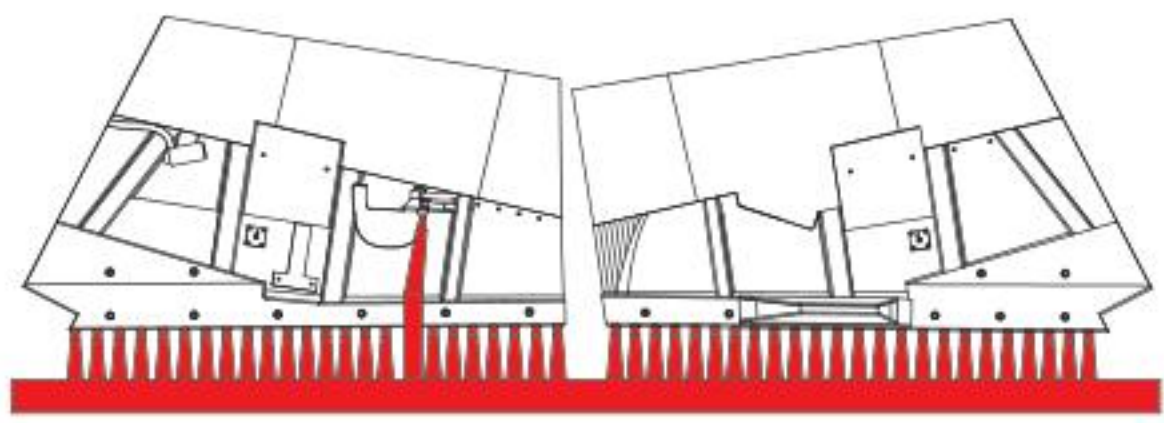
R2



R3

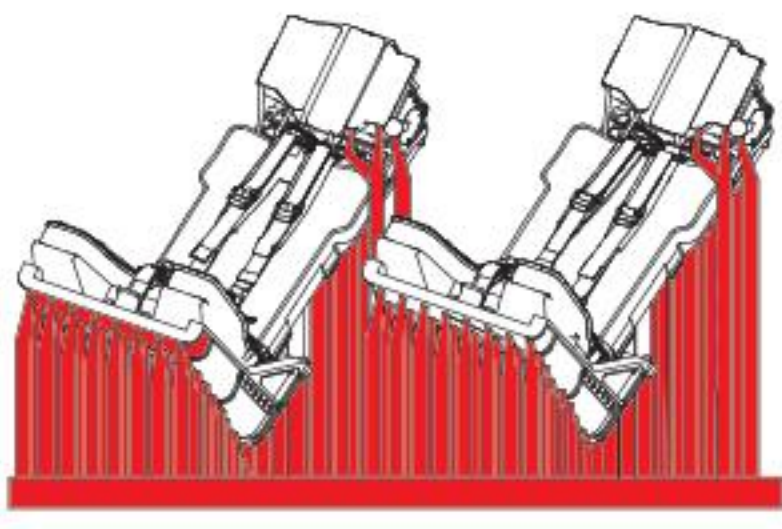


R4

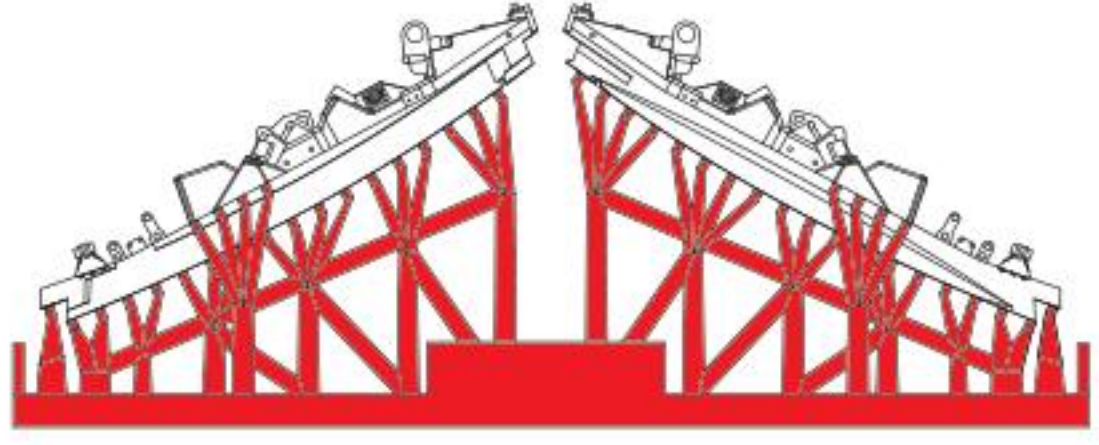


R5

R6

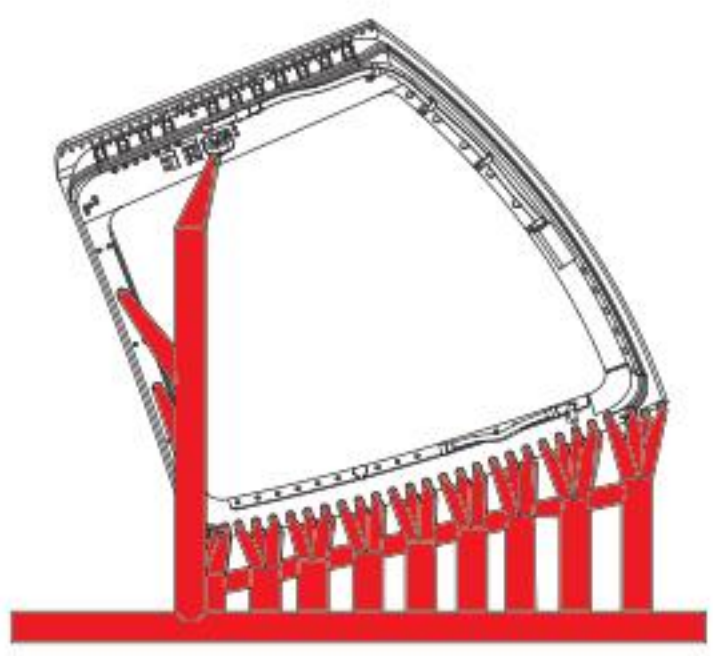


R28

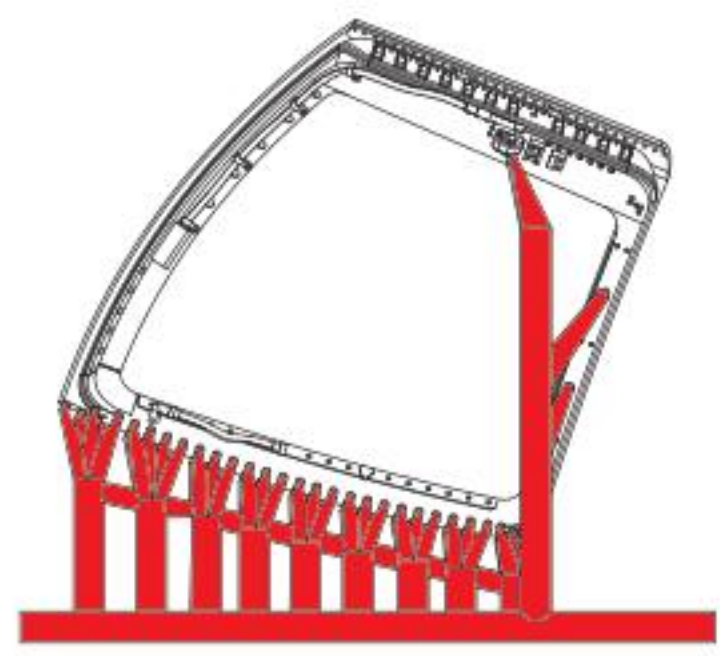


R7

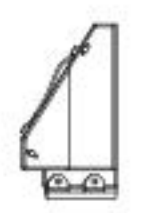
R8



R26



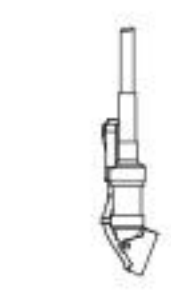
R27



R24



R25



R13 X2



R14 X2



R16



R17



R18



R15 X2



R19 X2



R20 X2



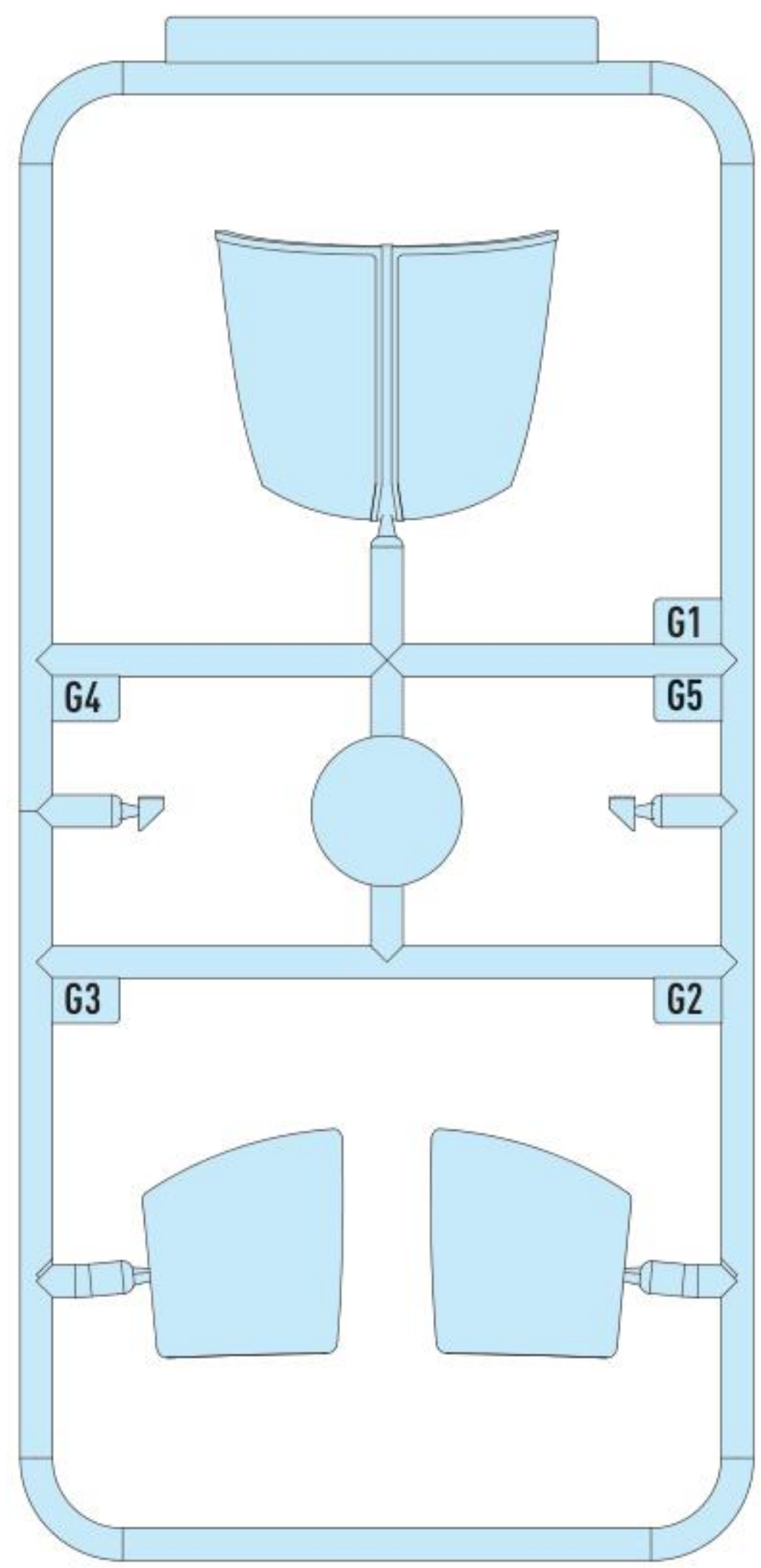
R21 X2



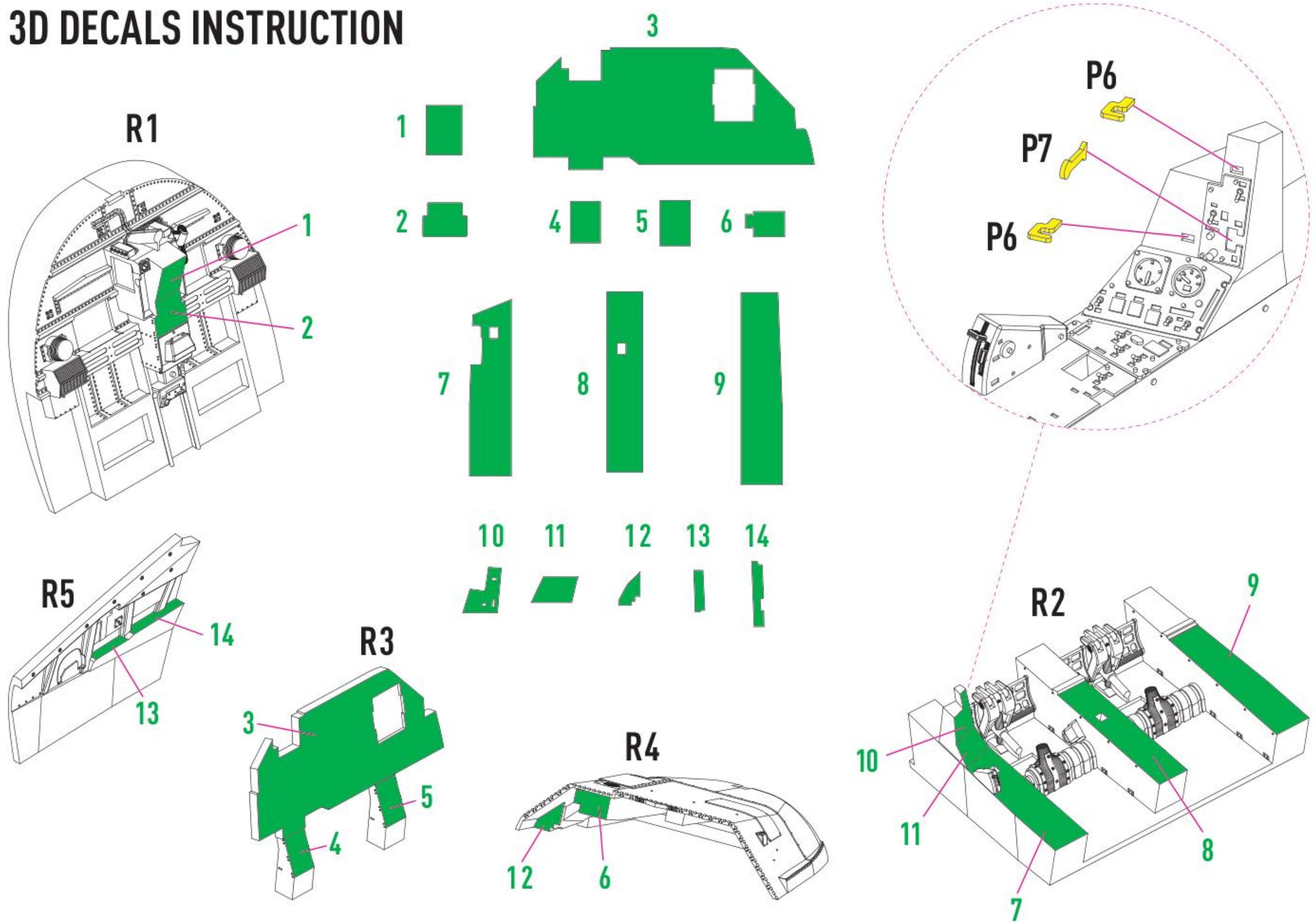
R22 X2



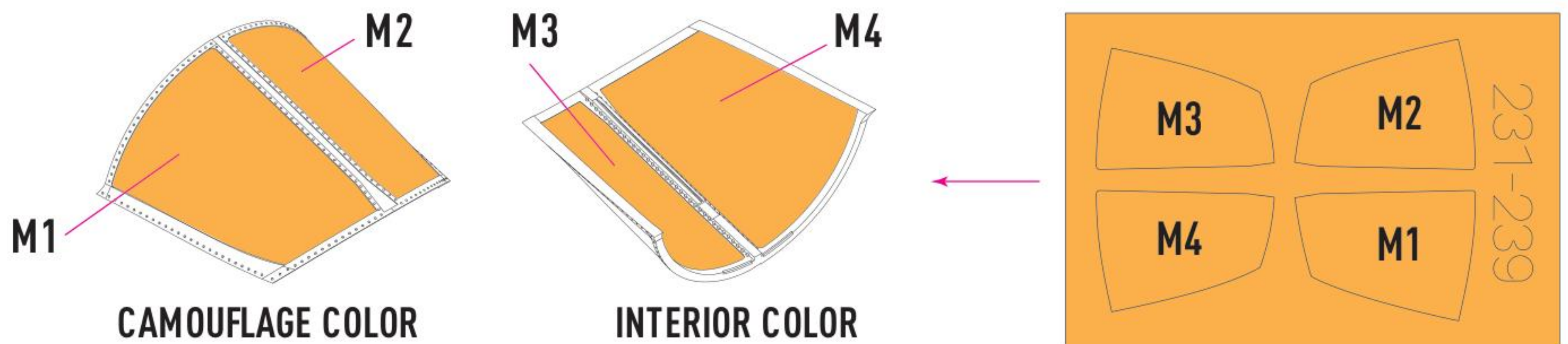
R23 X2

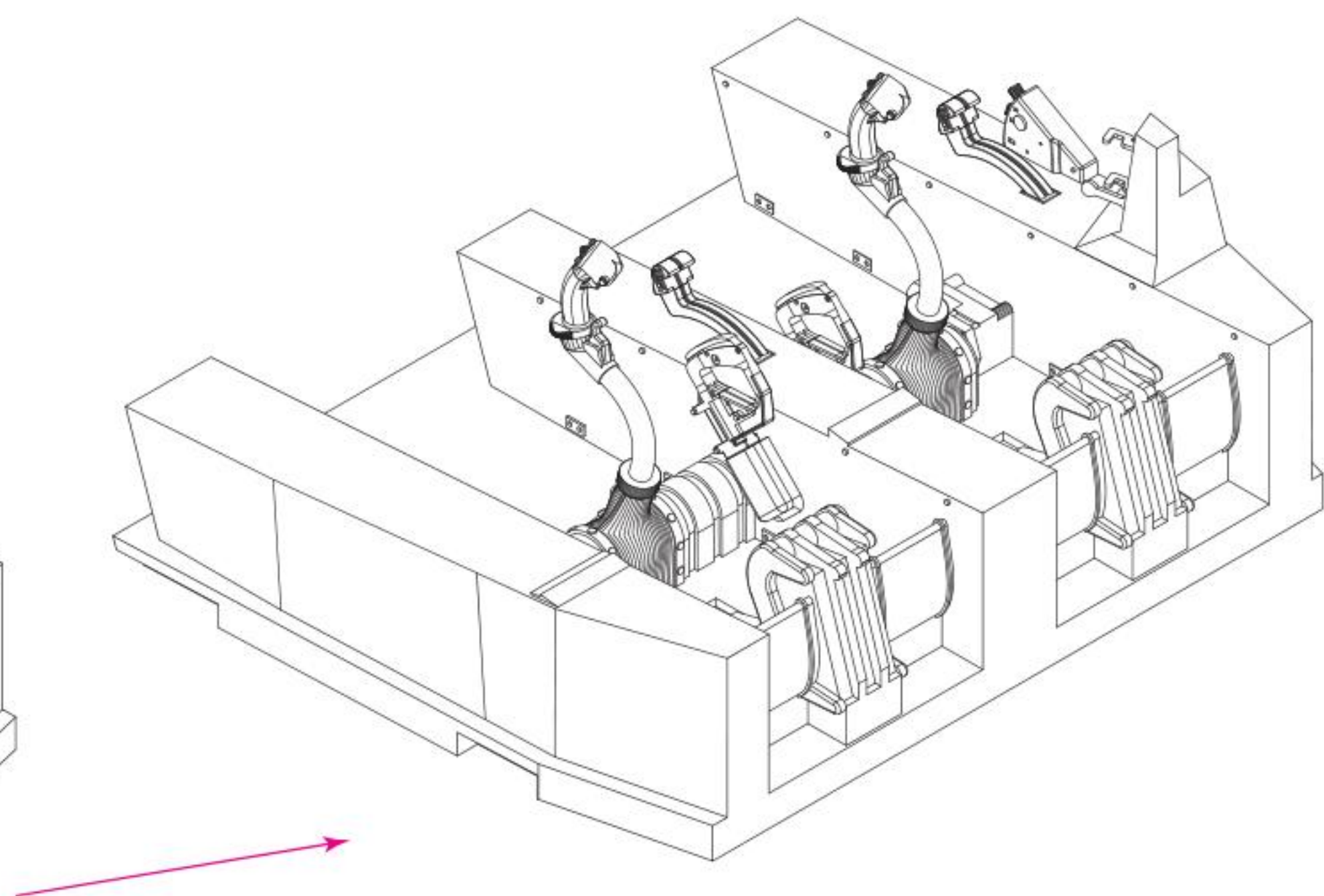
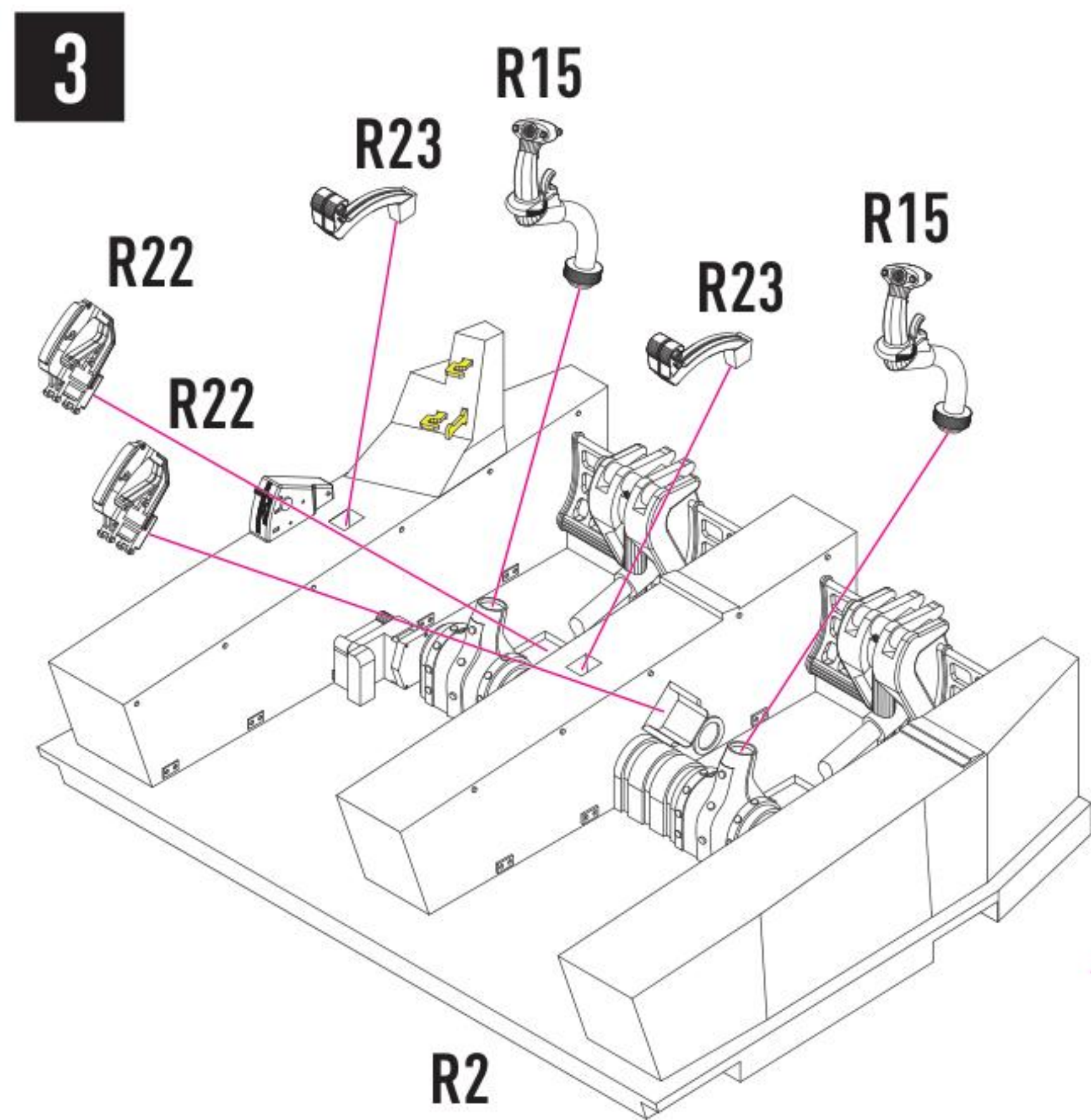
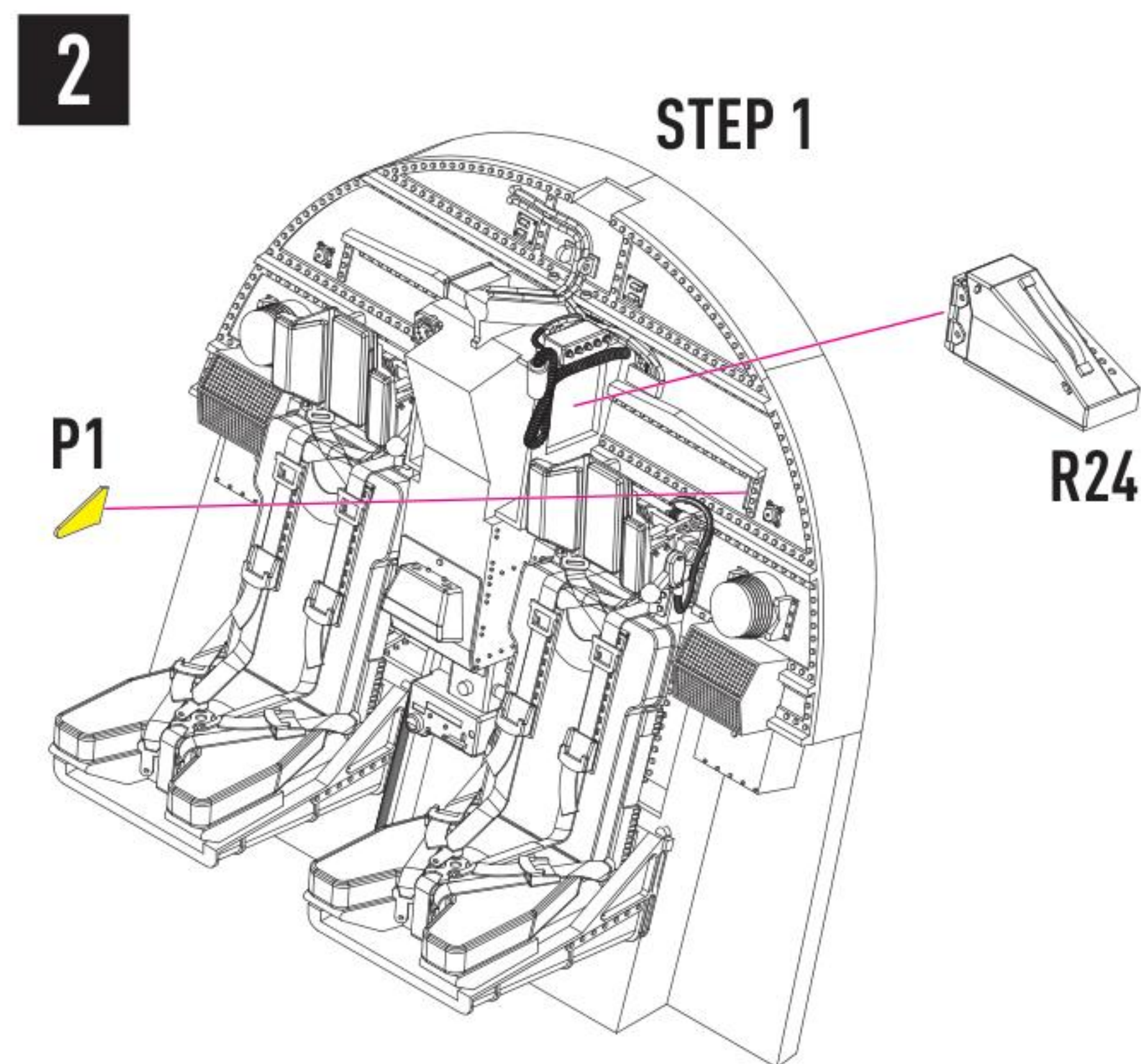
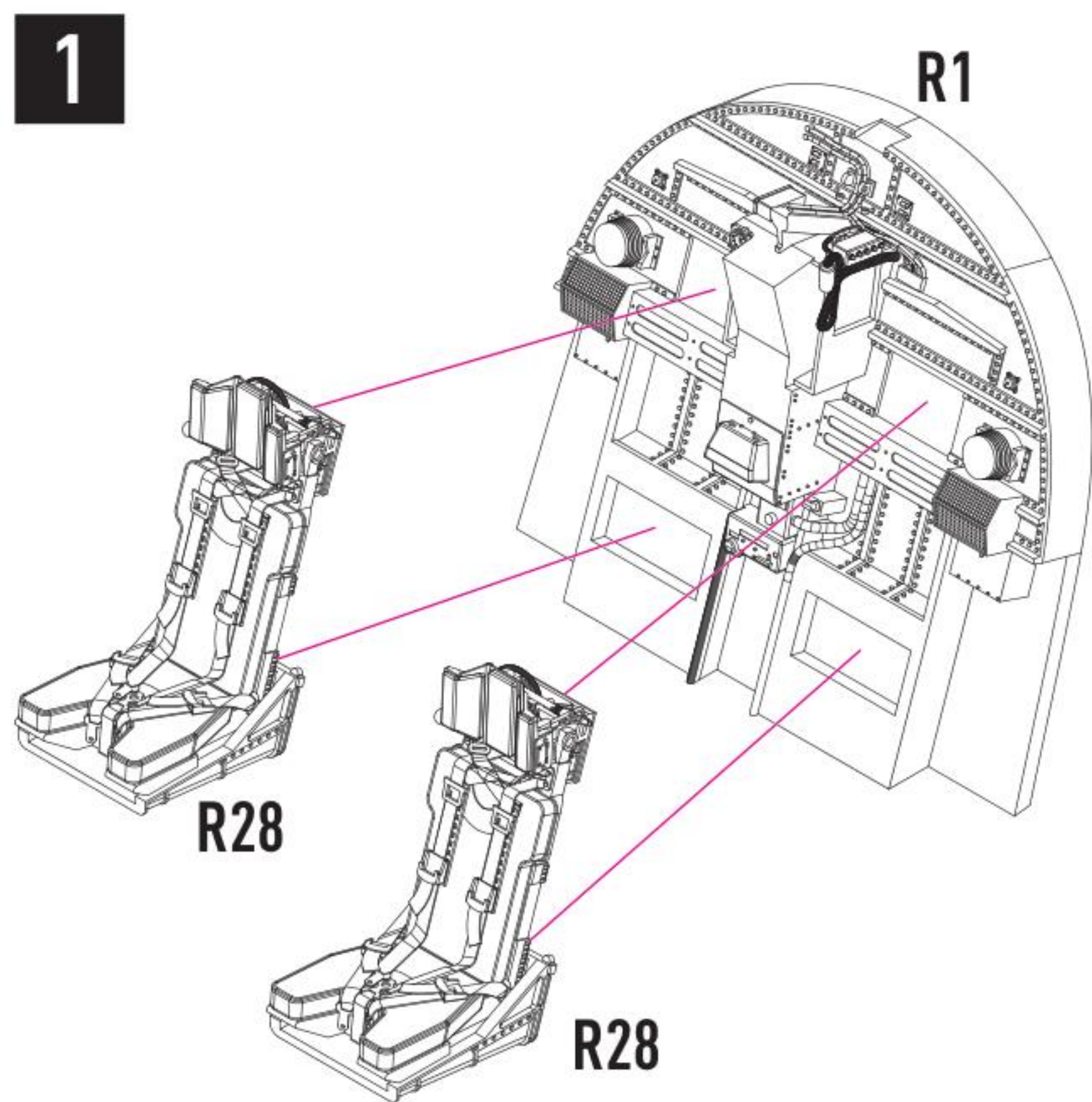


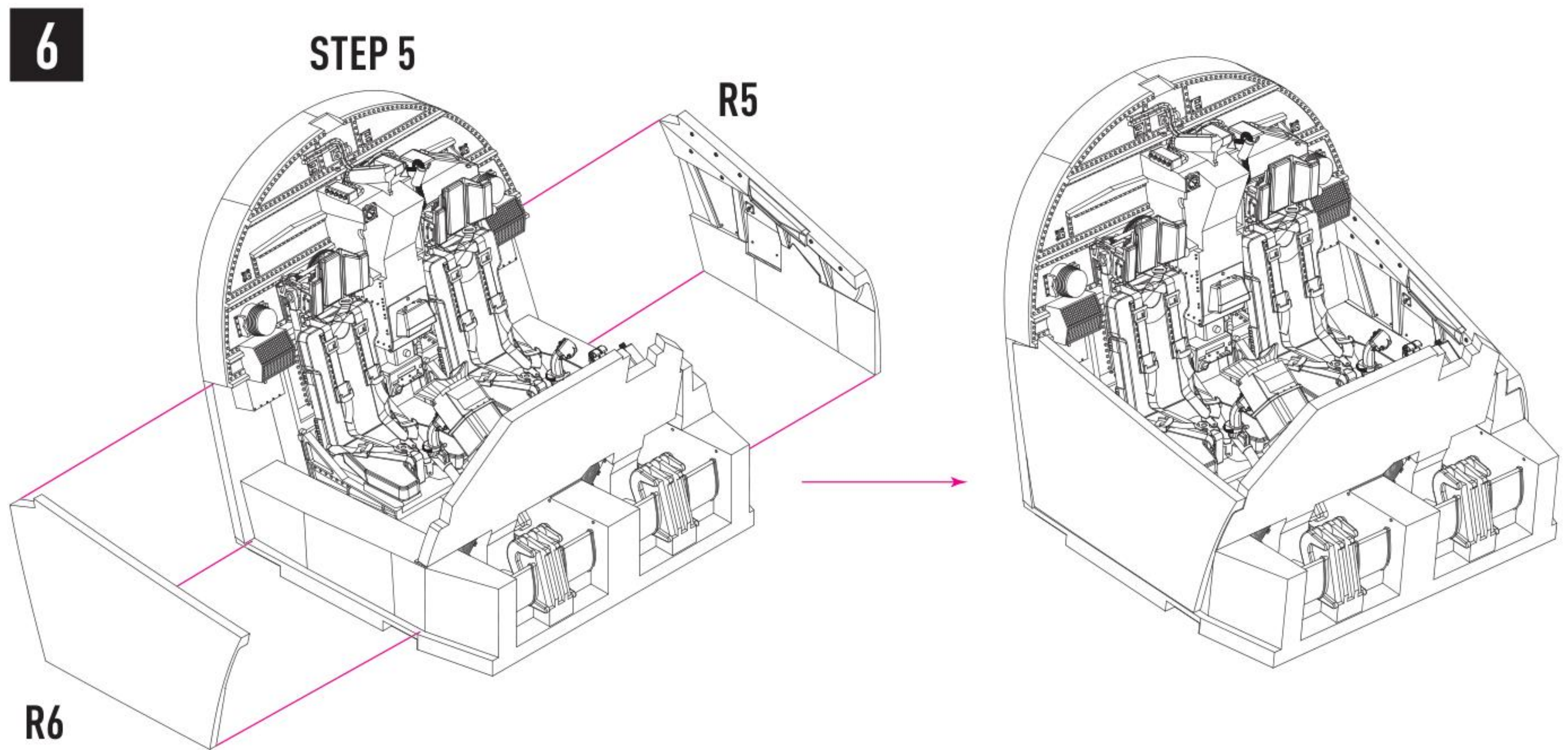
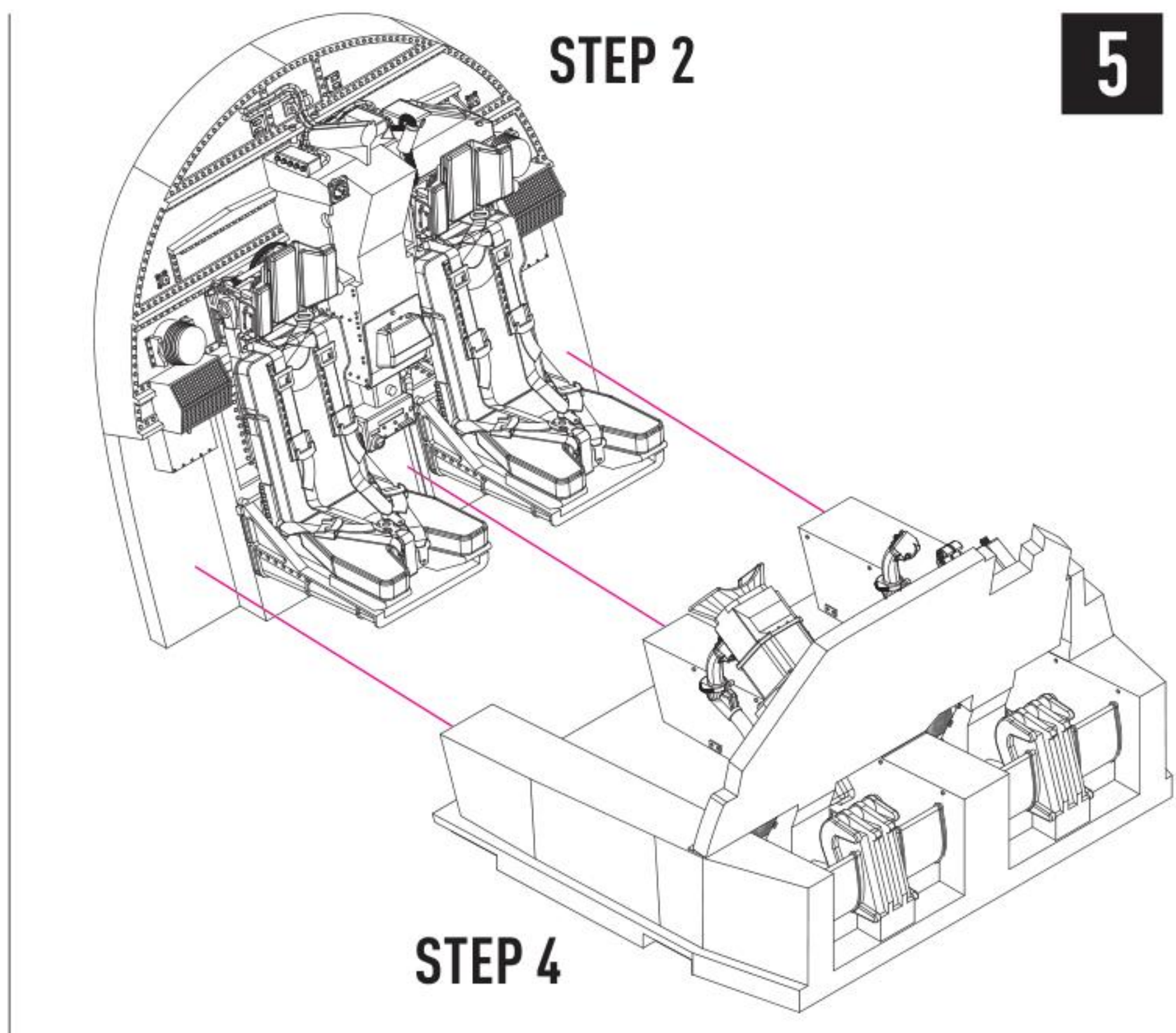
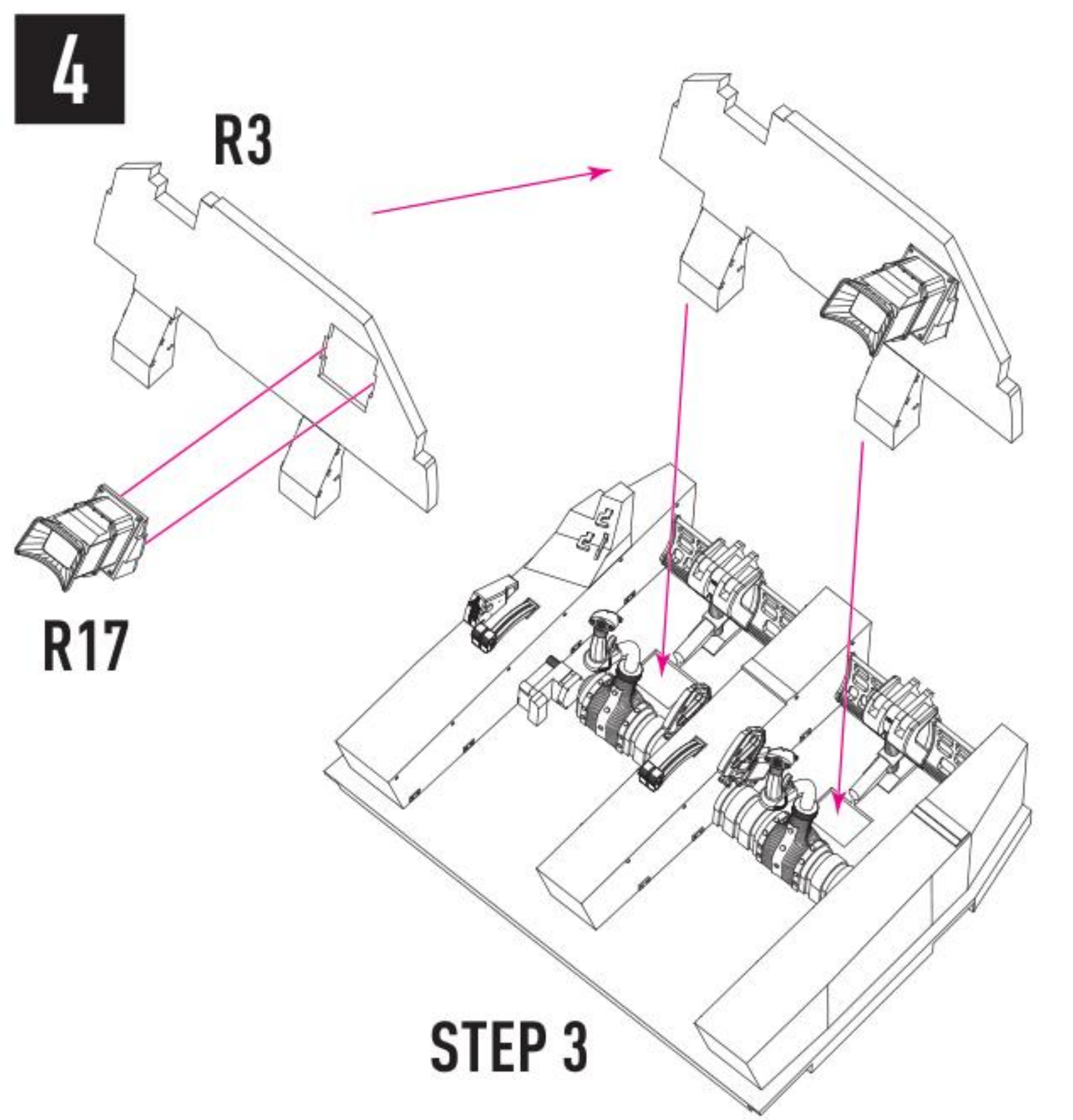
3D DECALS INSTRUCTION



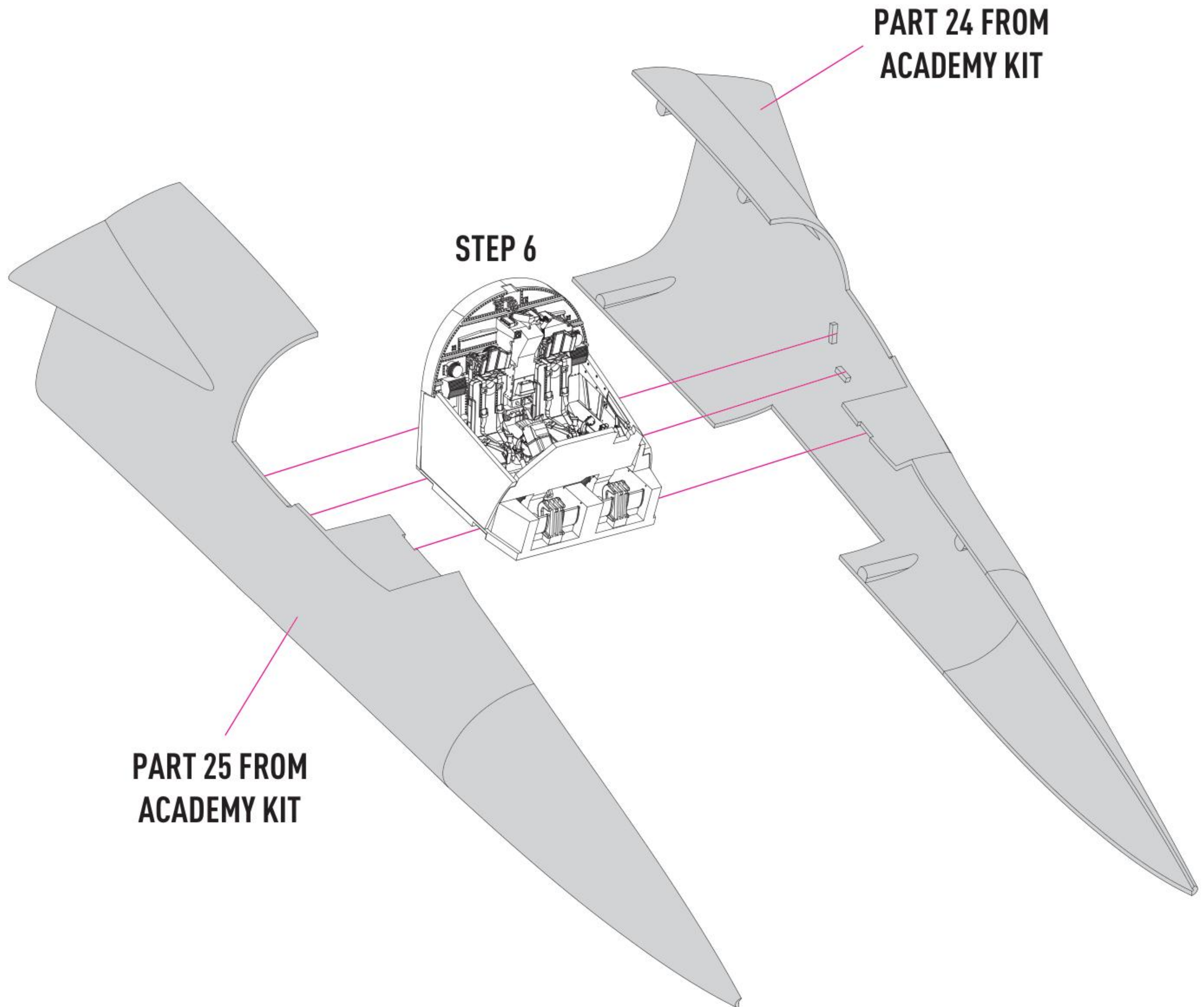
APPLYING MASKS G1



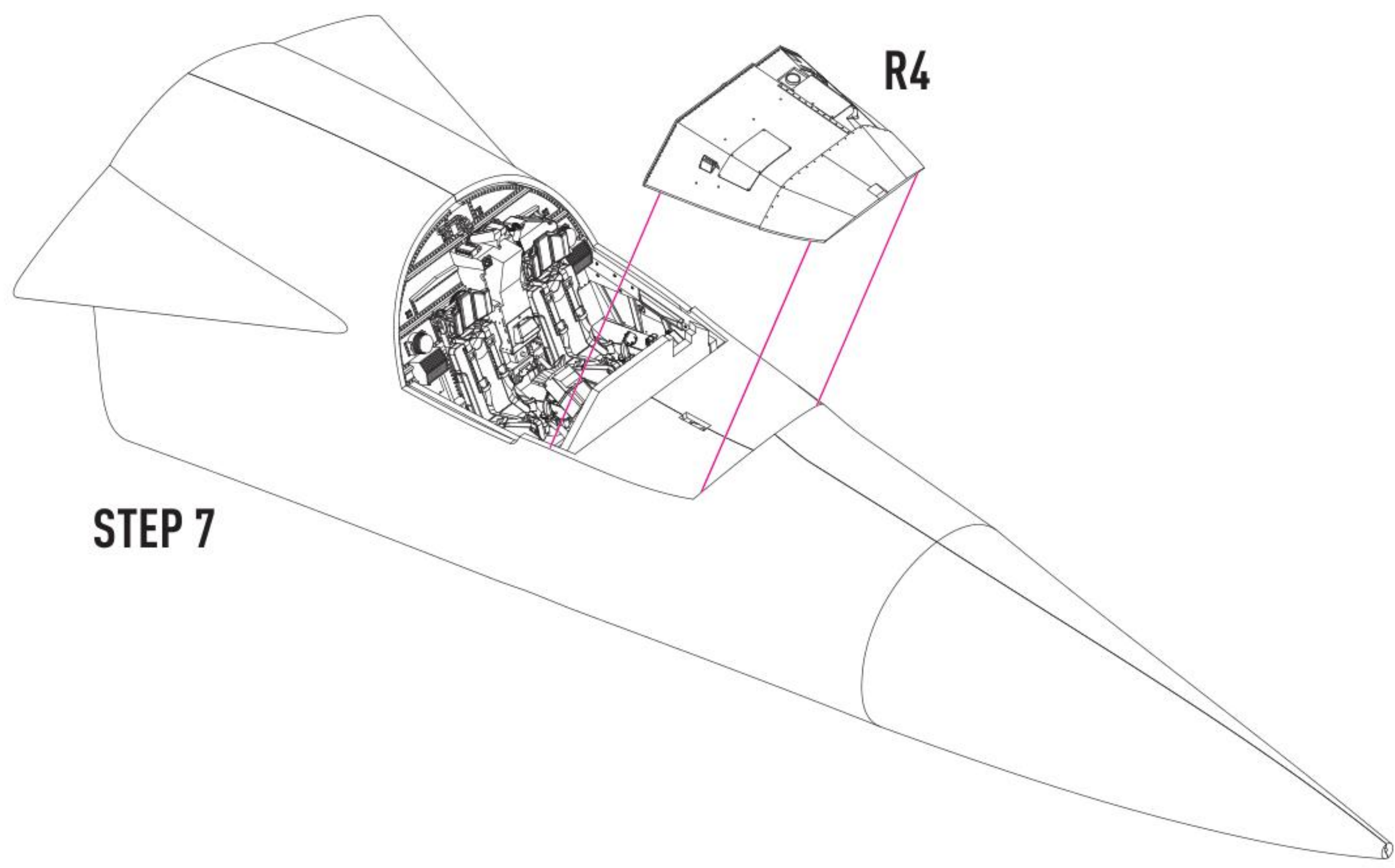




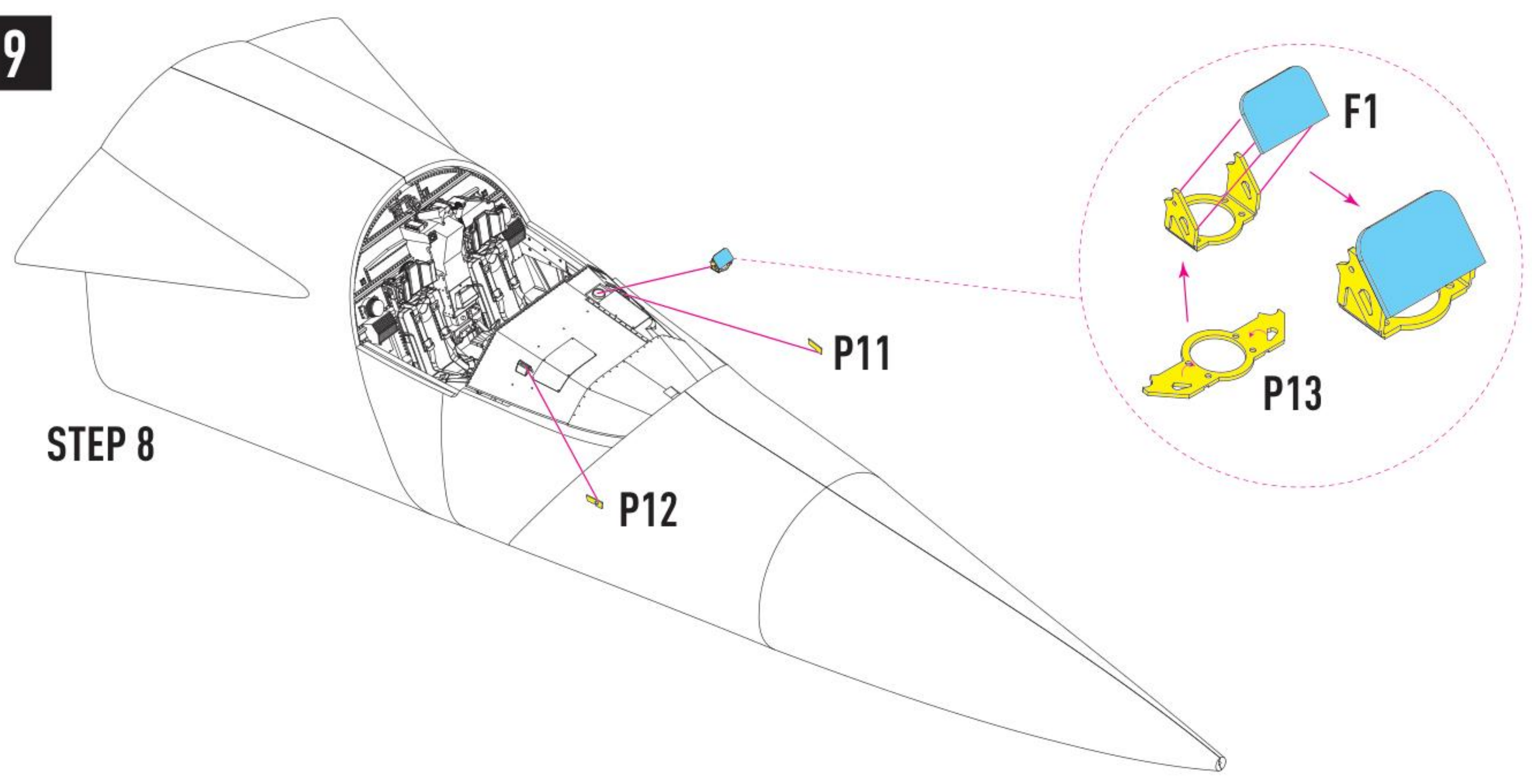
7 AT THIS STAGE OF ASSEMBLY, ALSO
FOLLOW THE INSTRUCTIONS IN PARAGRAPH 4
OF THE ACADEMY KIT INSTRUCTION



8

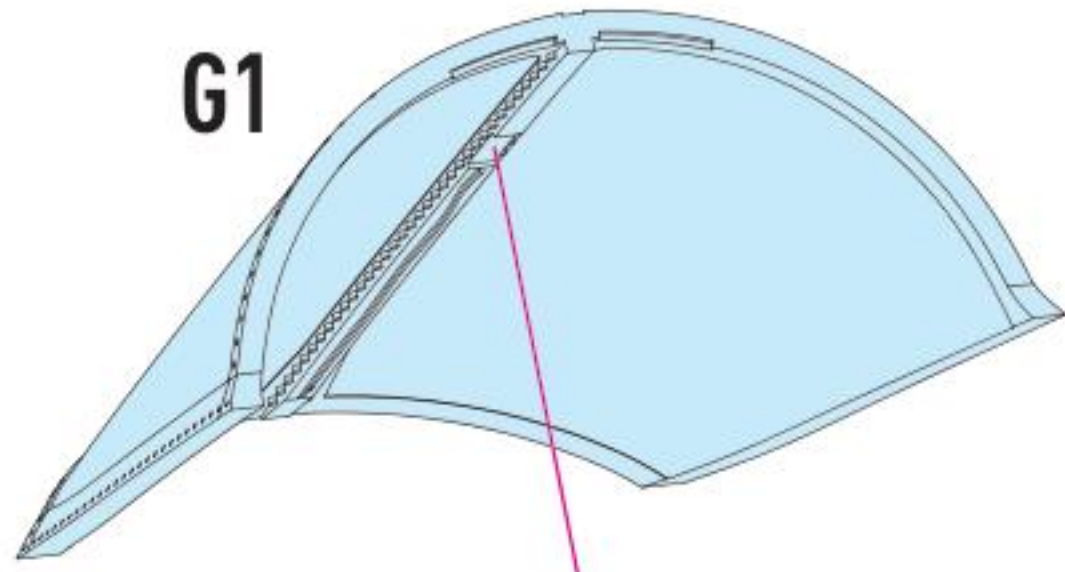


9

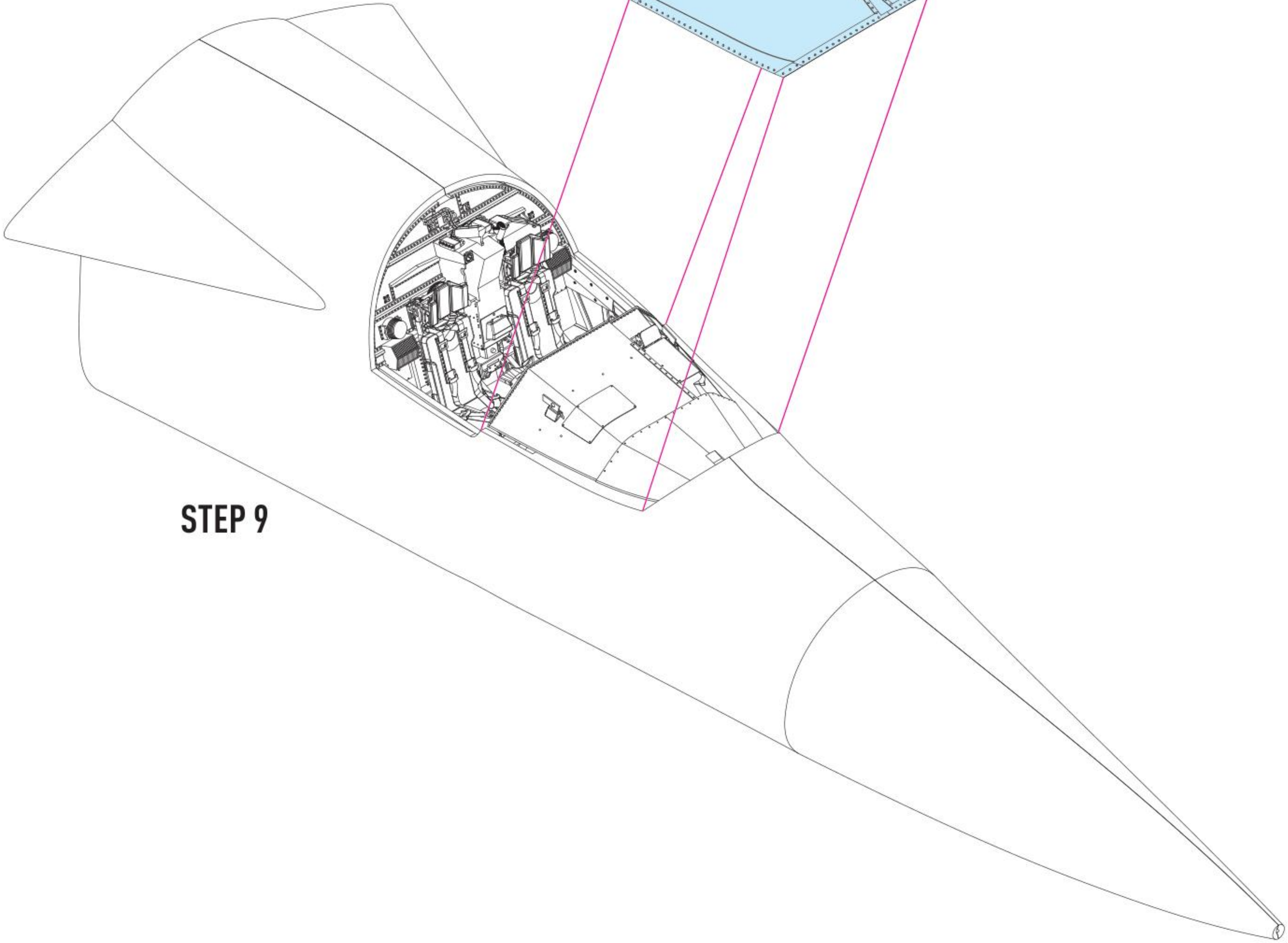
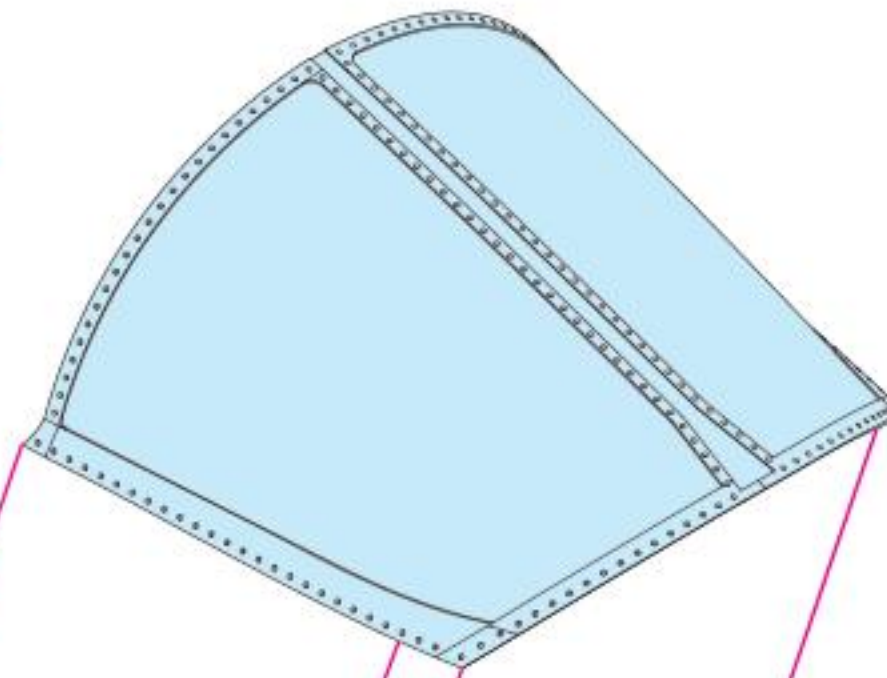


10

G1

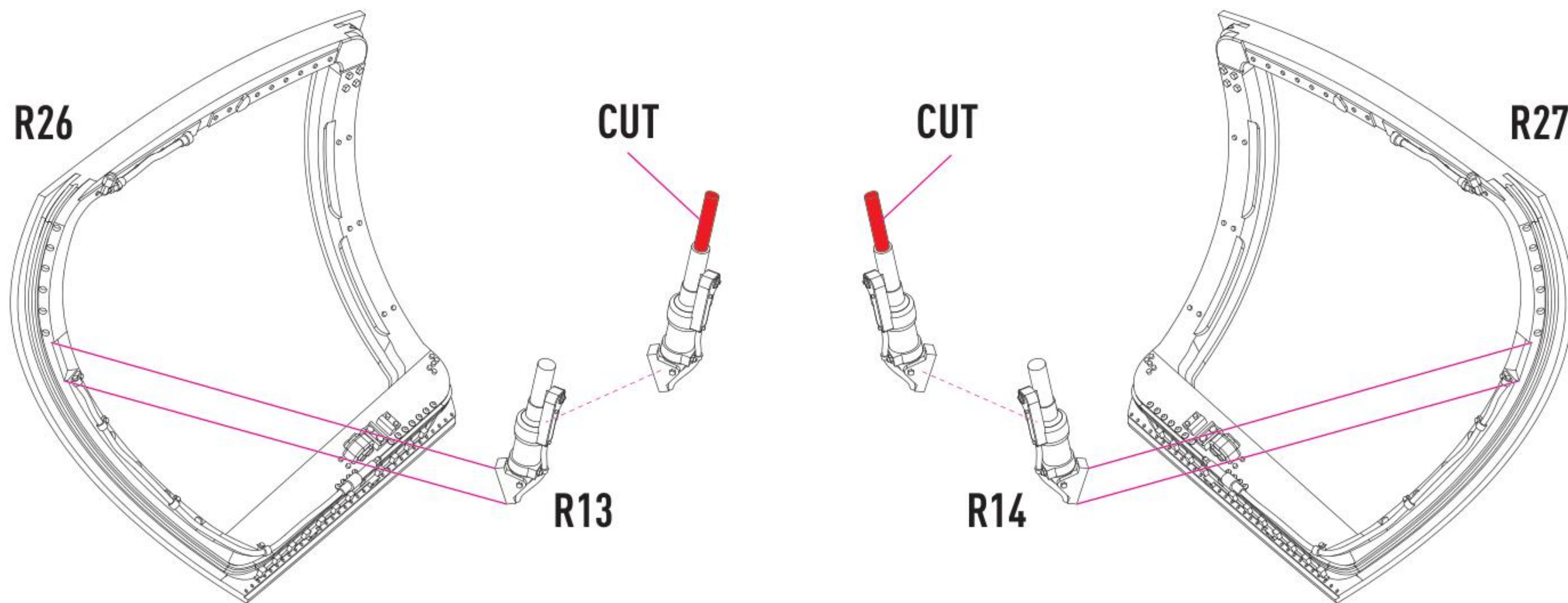


R19

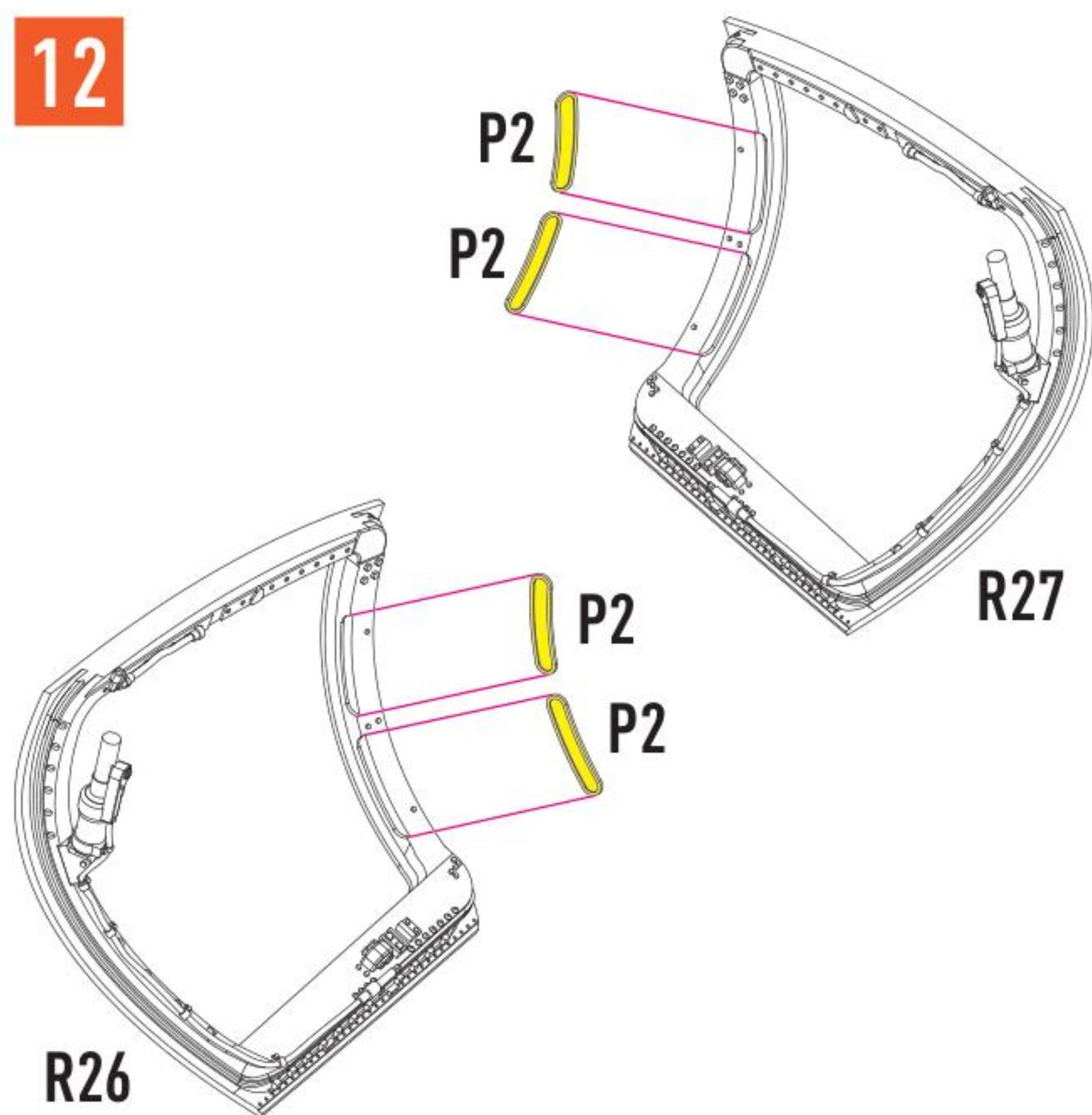


STEP 9

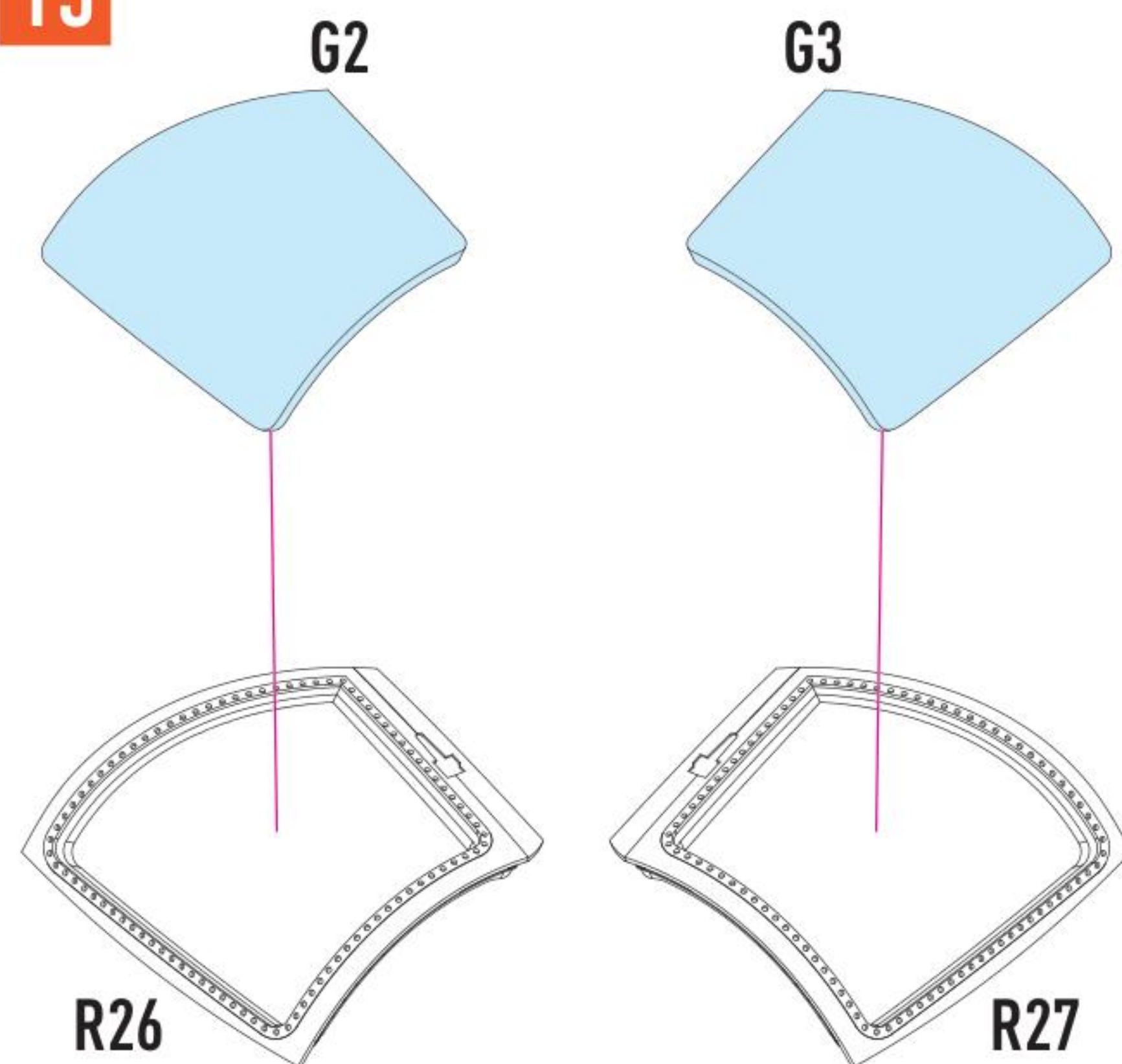
11 FOR CLOSED LANTERN

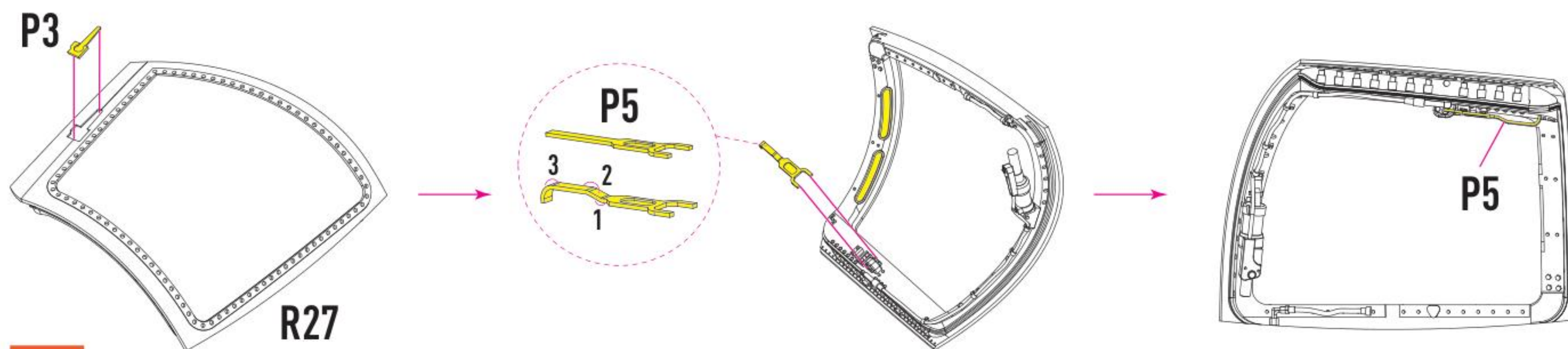


12

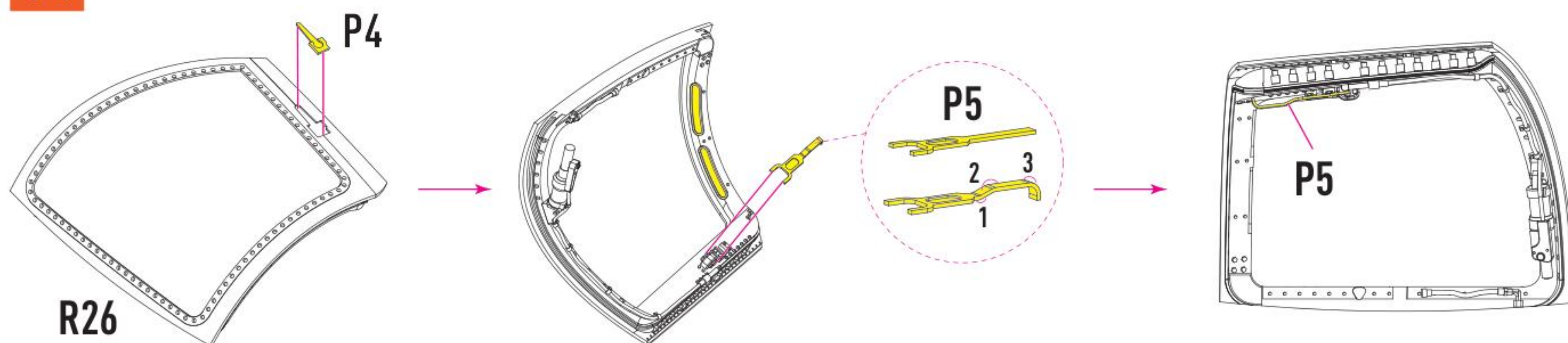


13

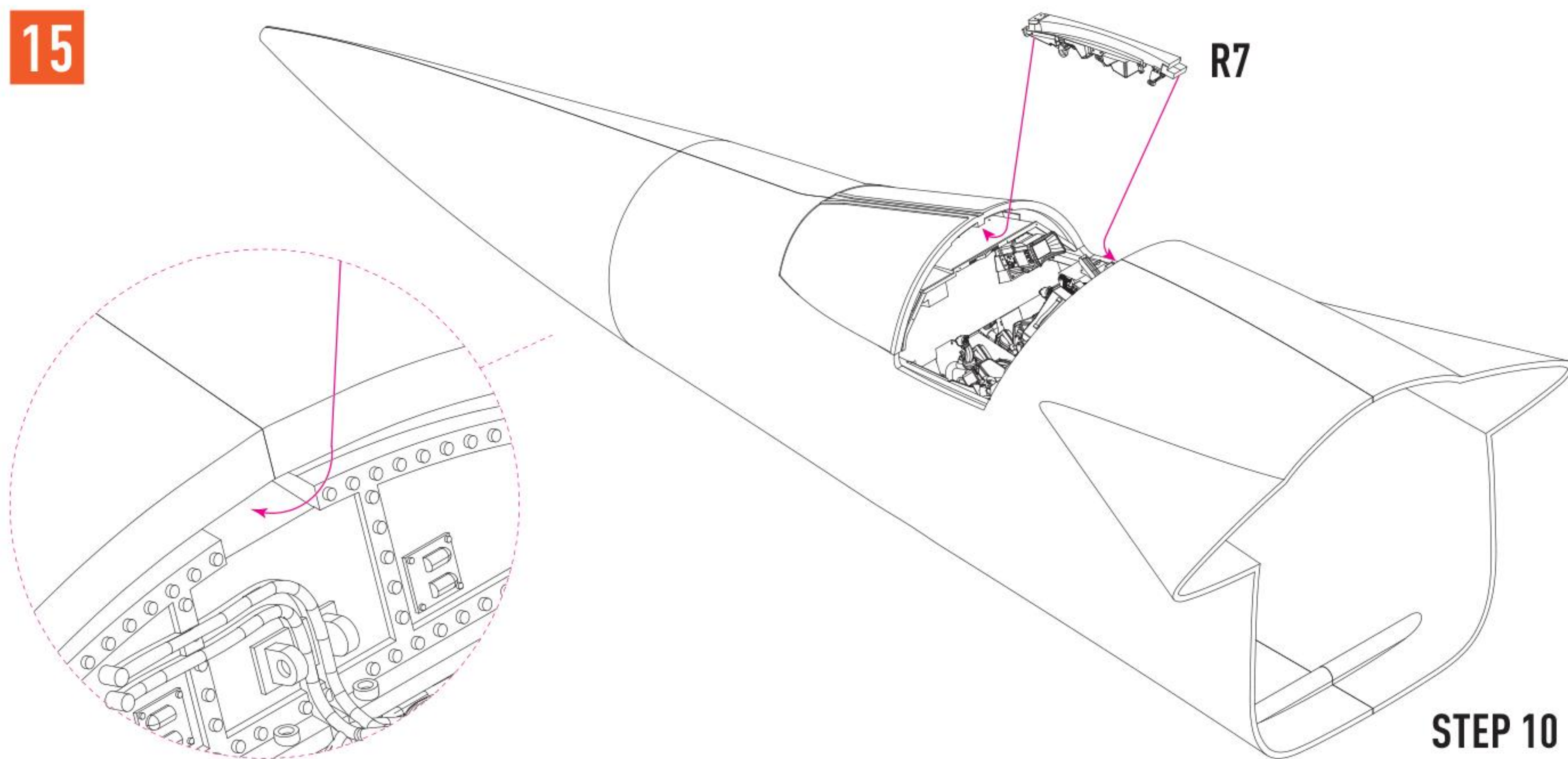




14

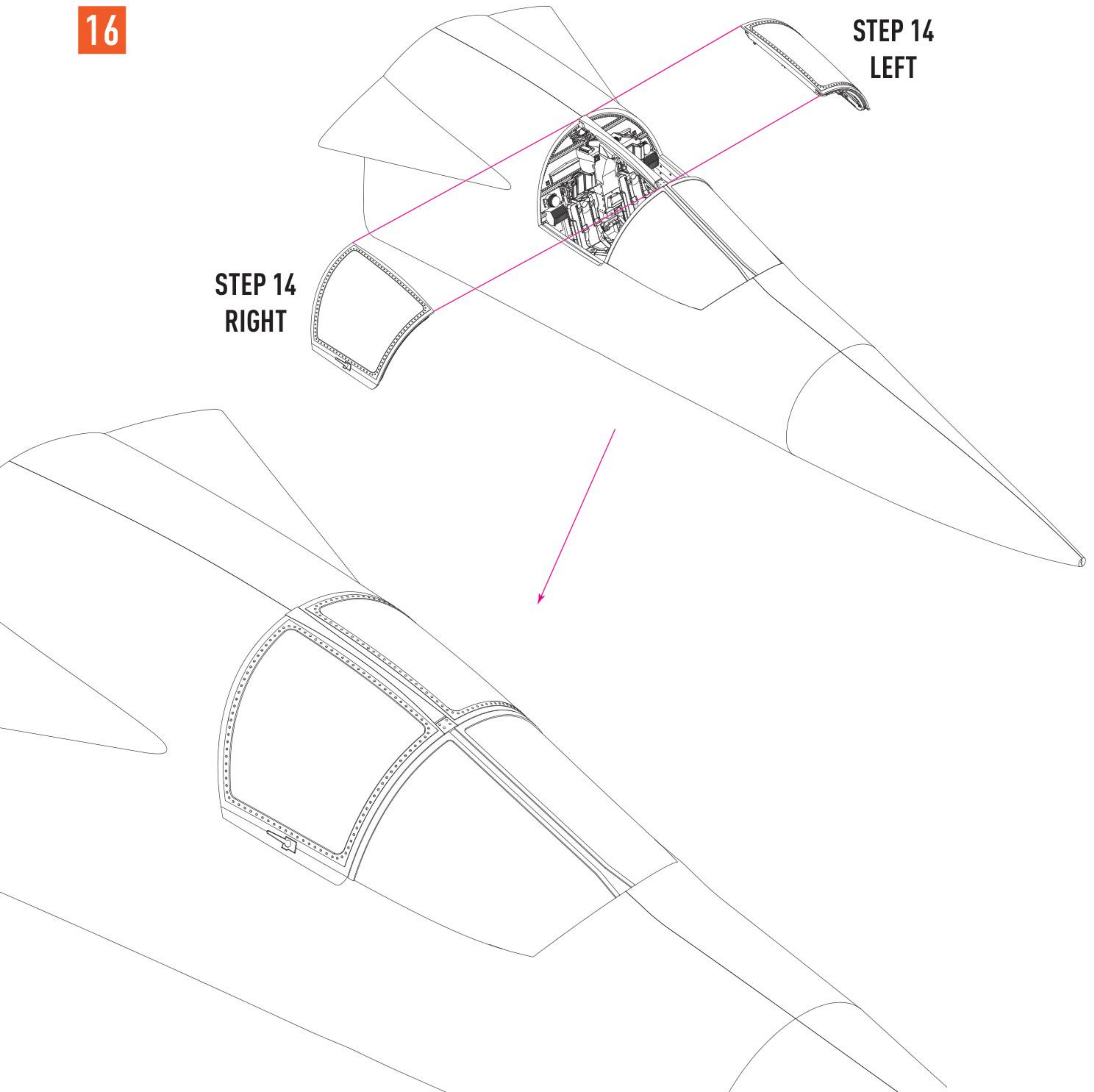


15

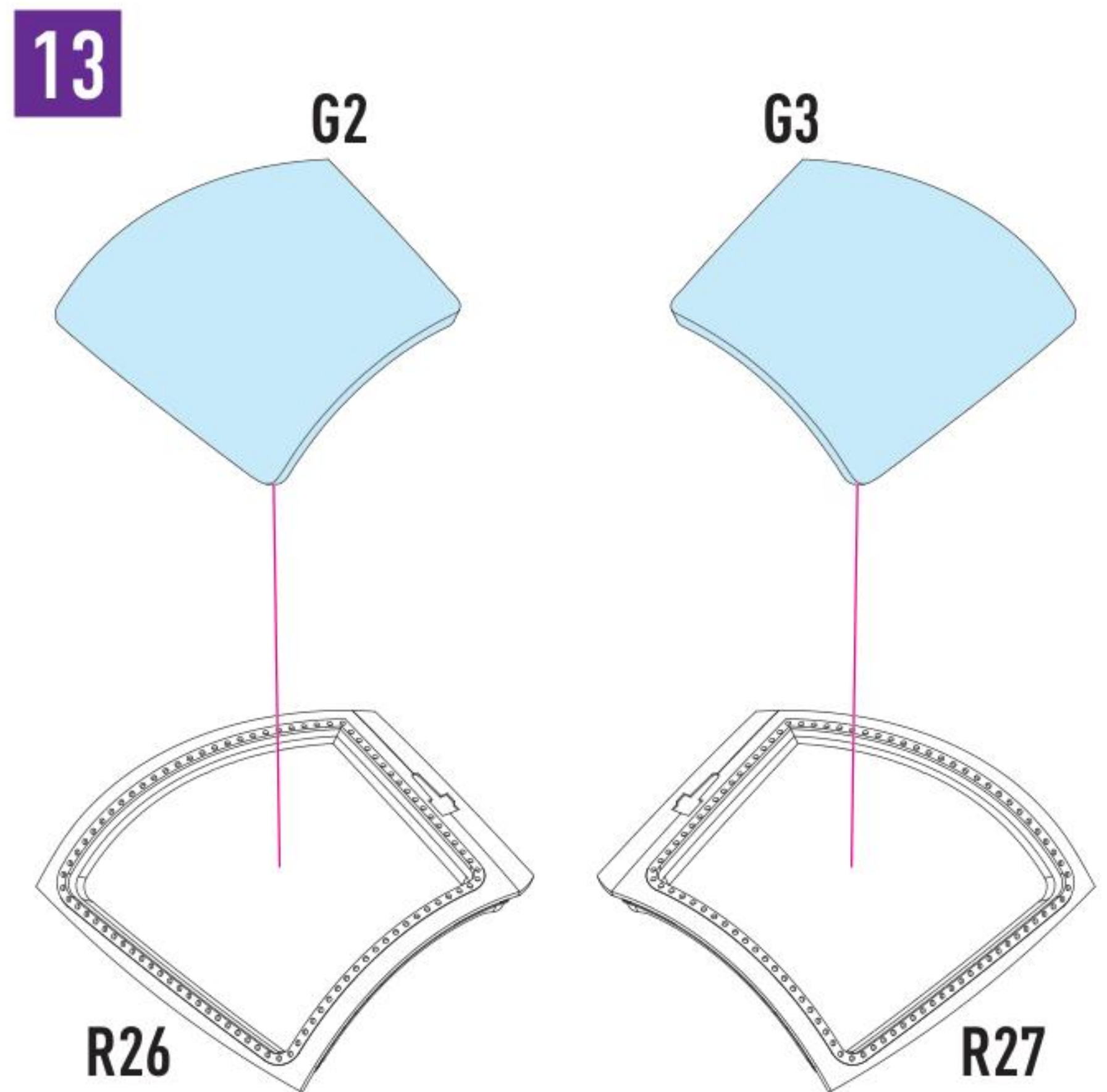
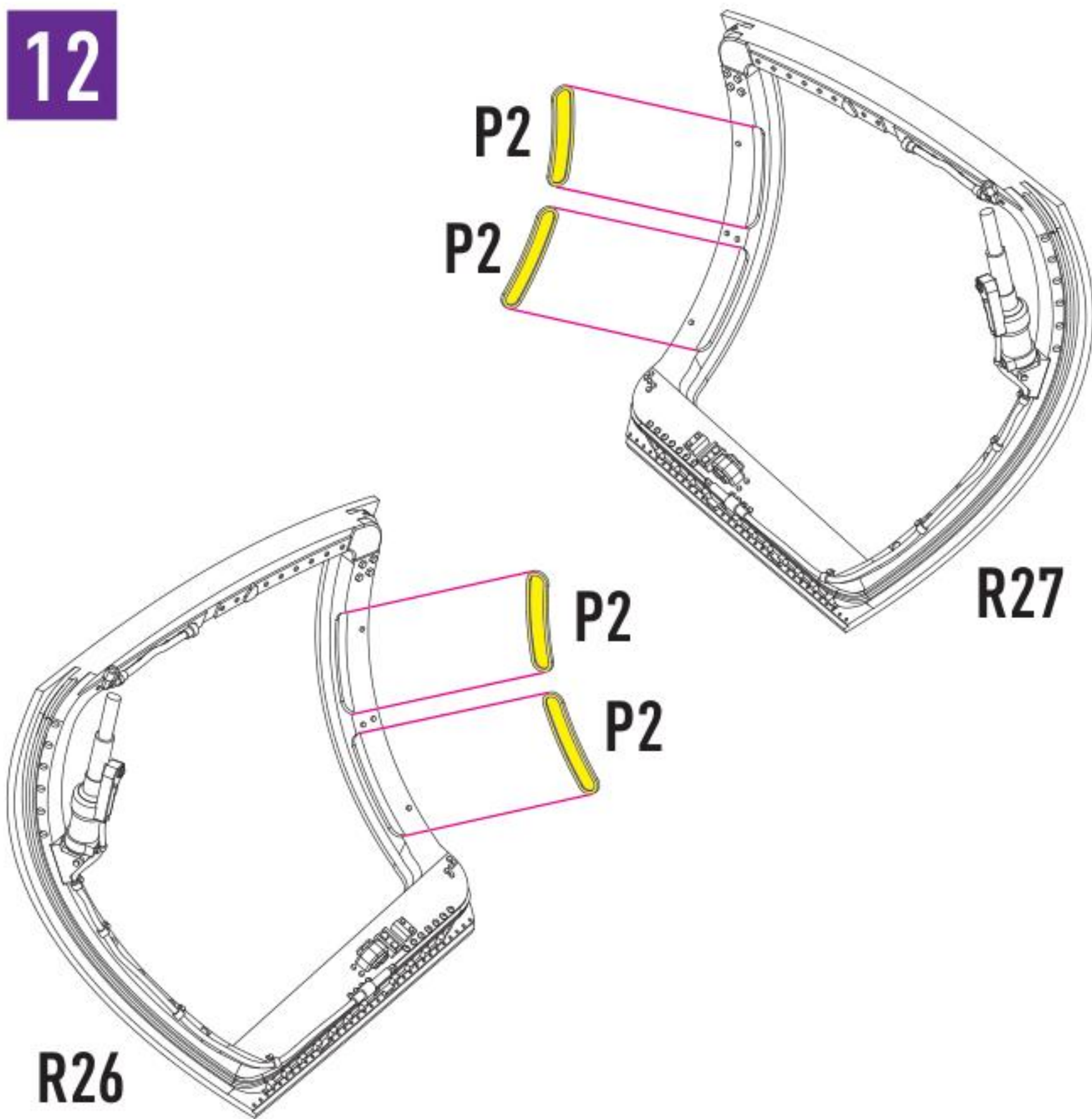
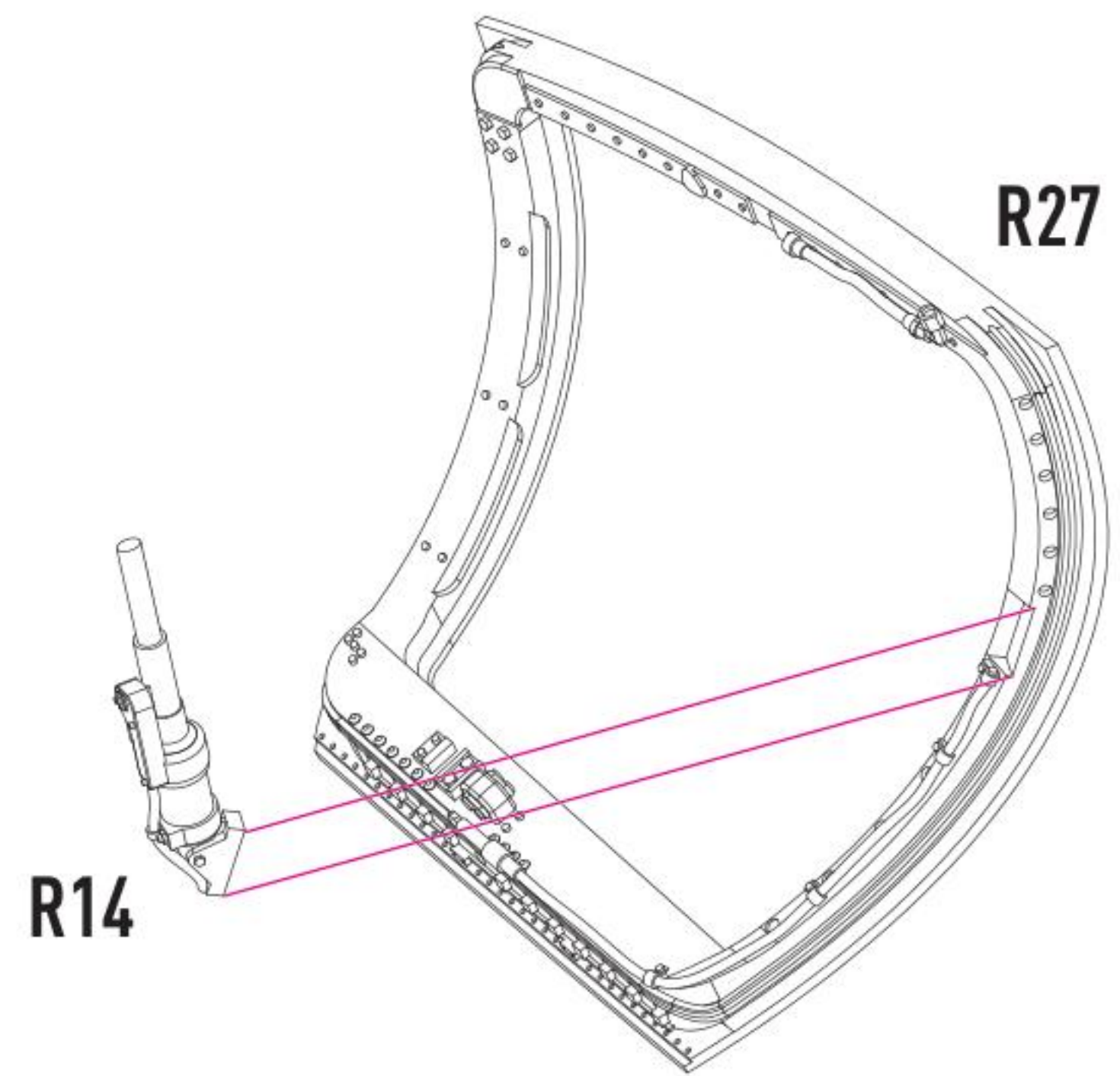
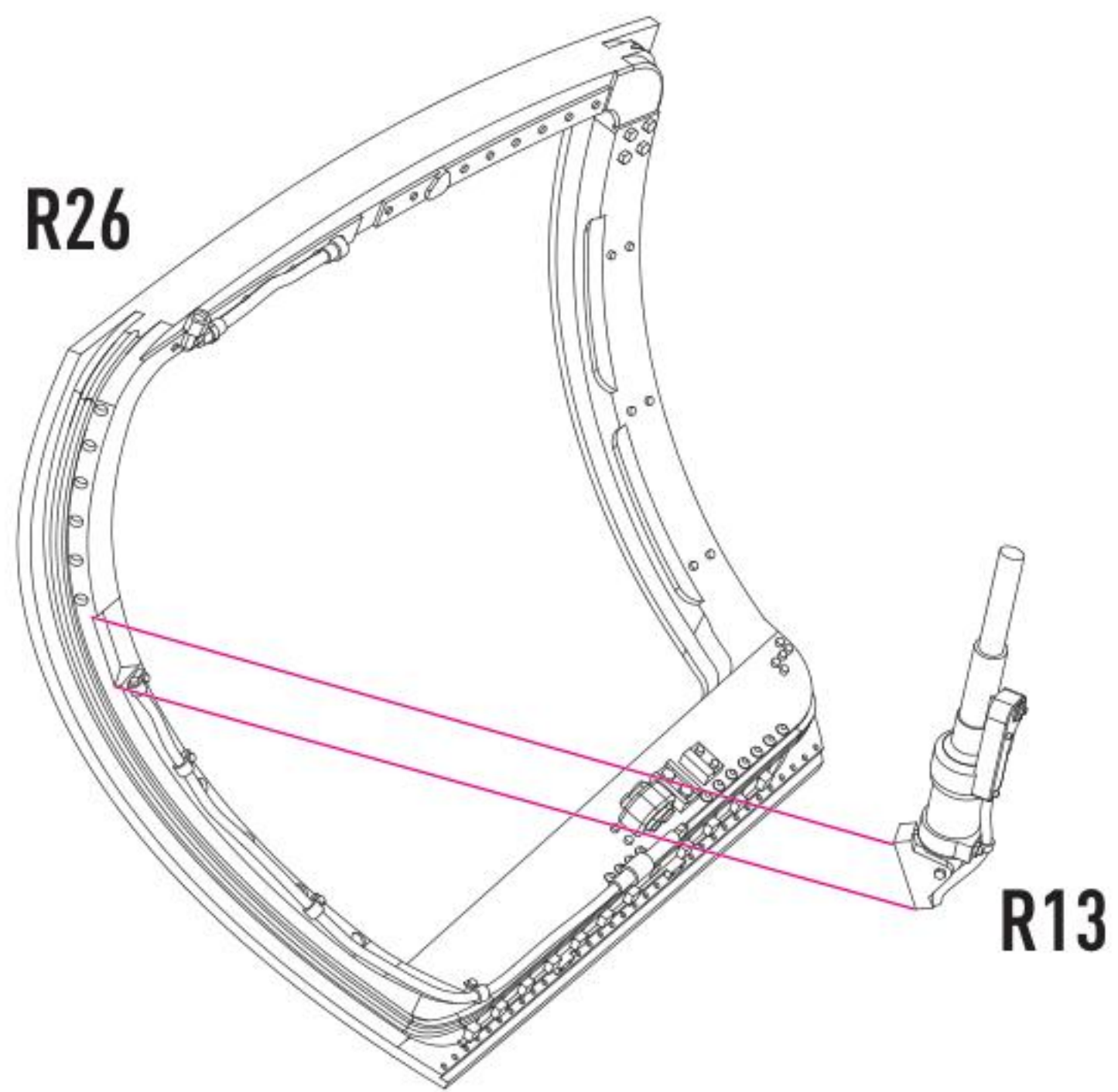


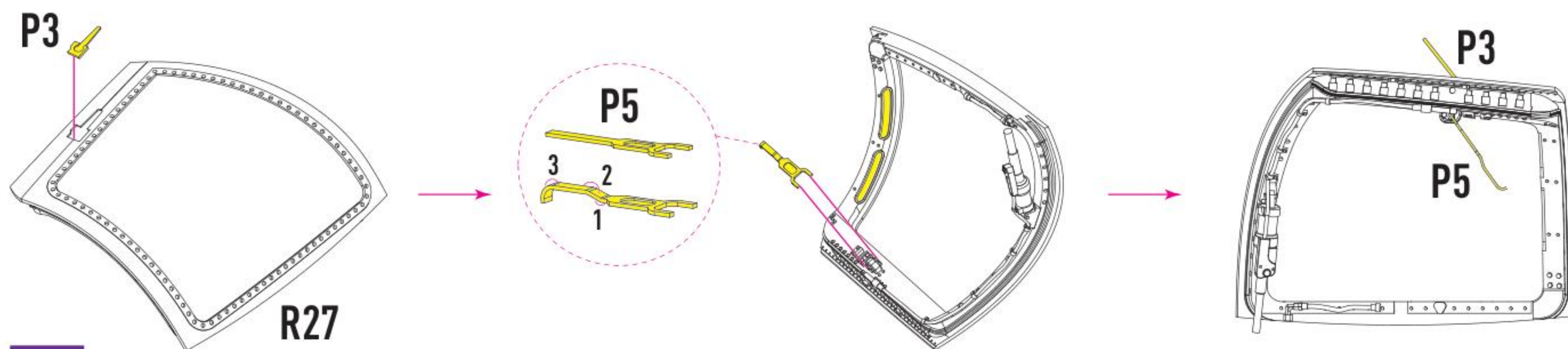
STEP 14
LEFT

STEP 14
RIGHT

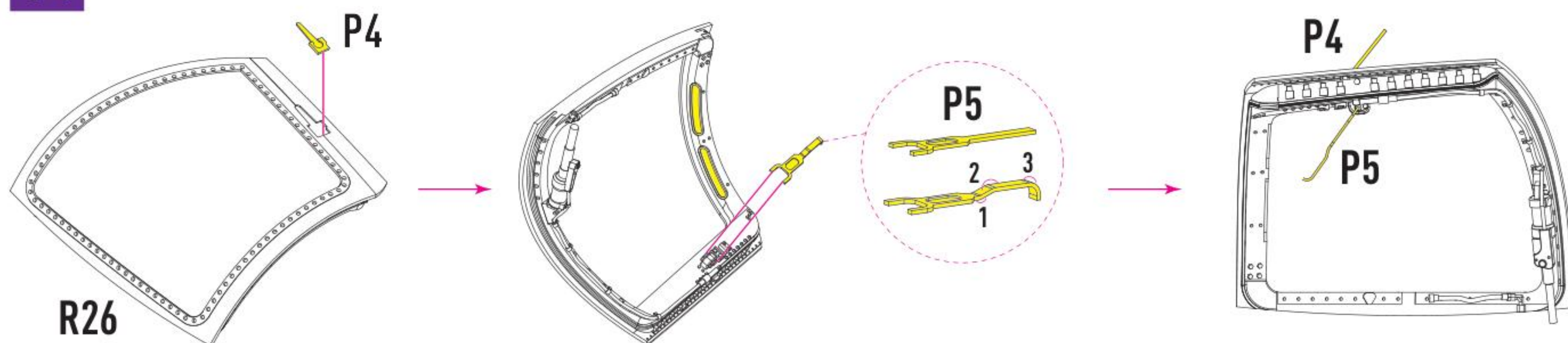


11 FOR OPEN LANTERN

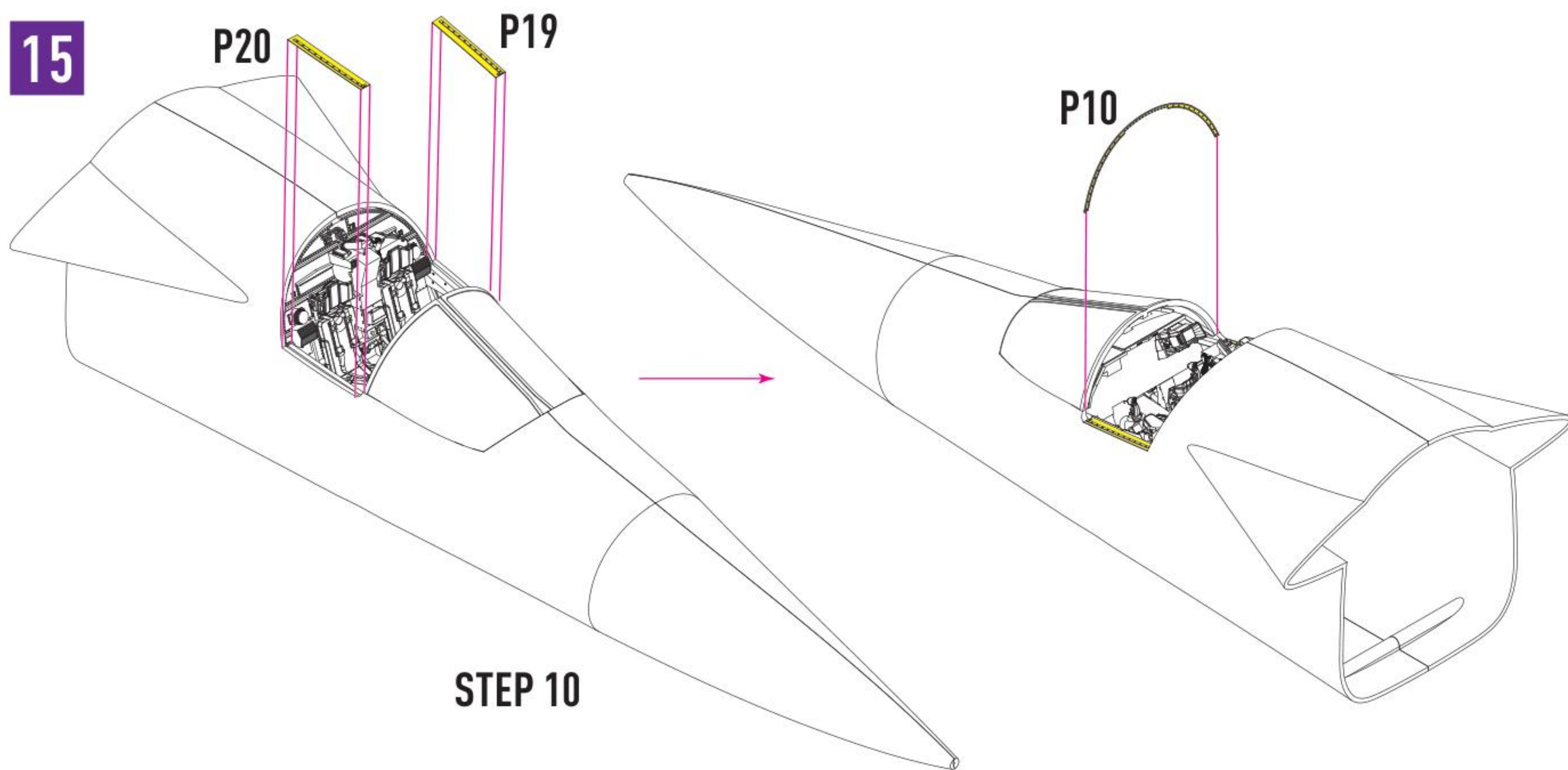




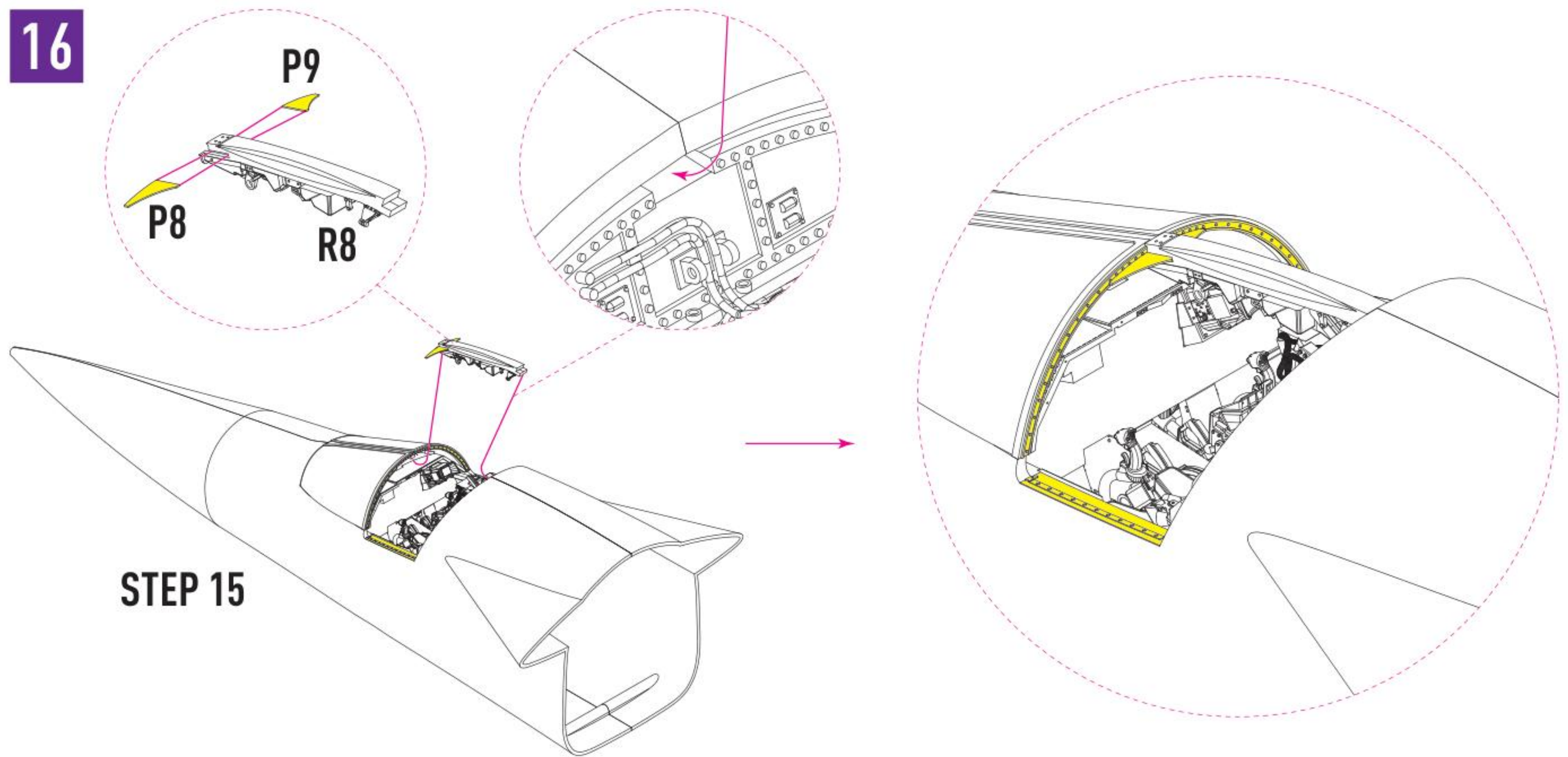
14



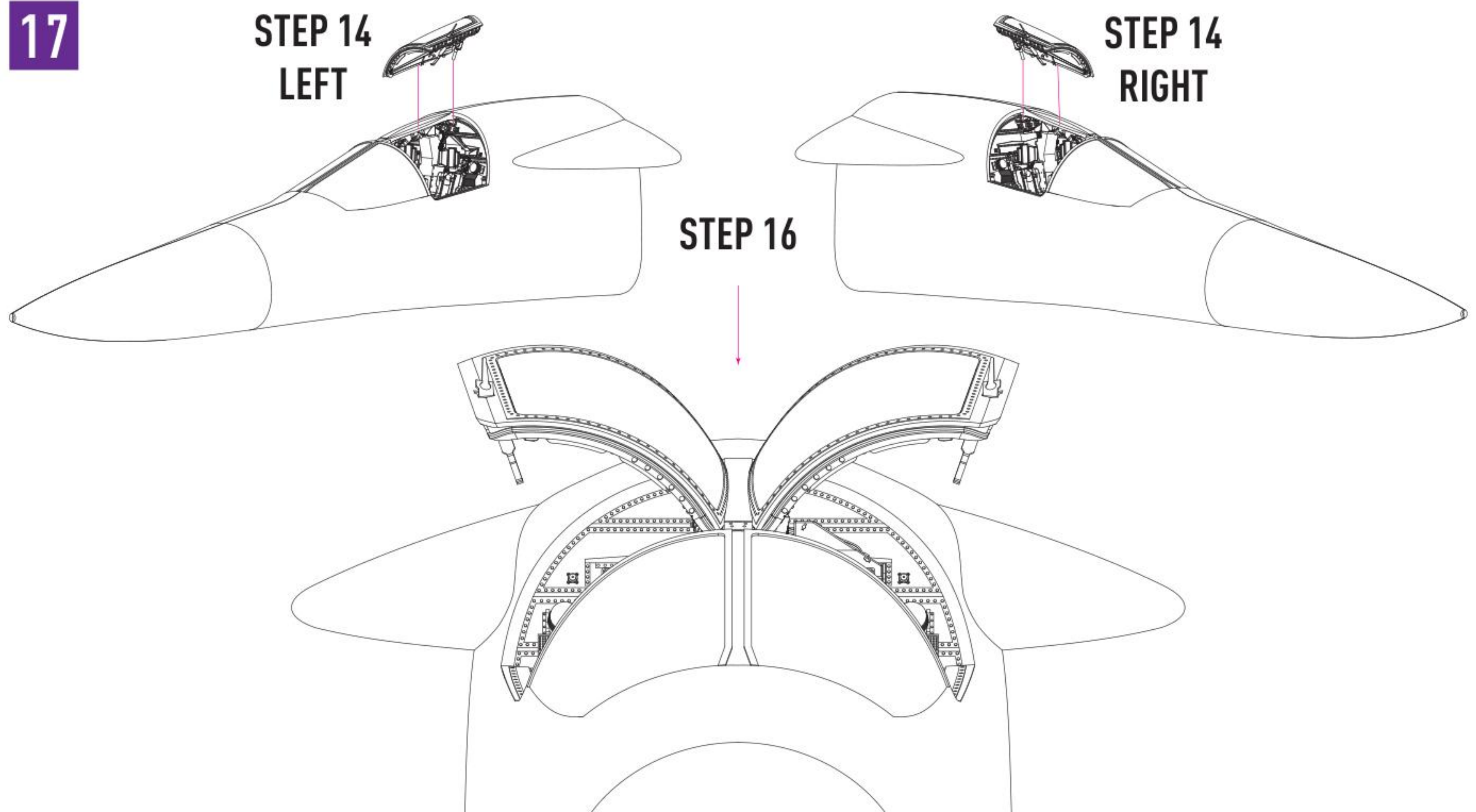
15

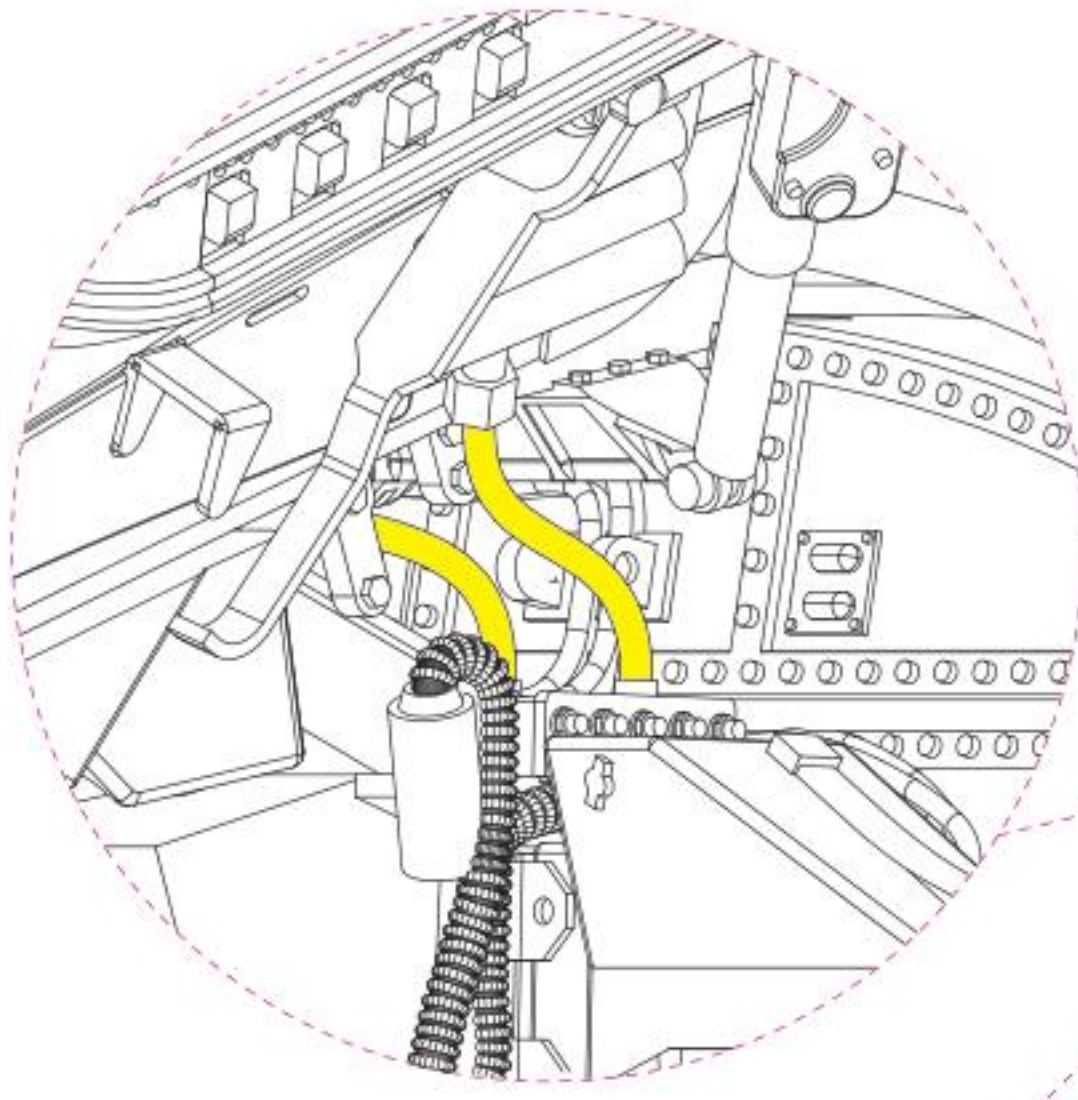


16

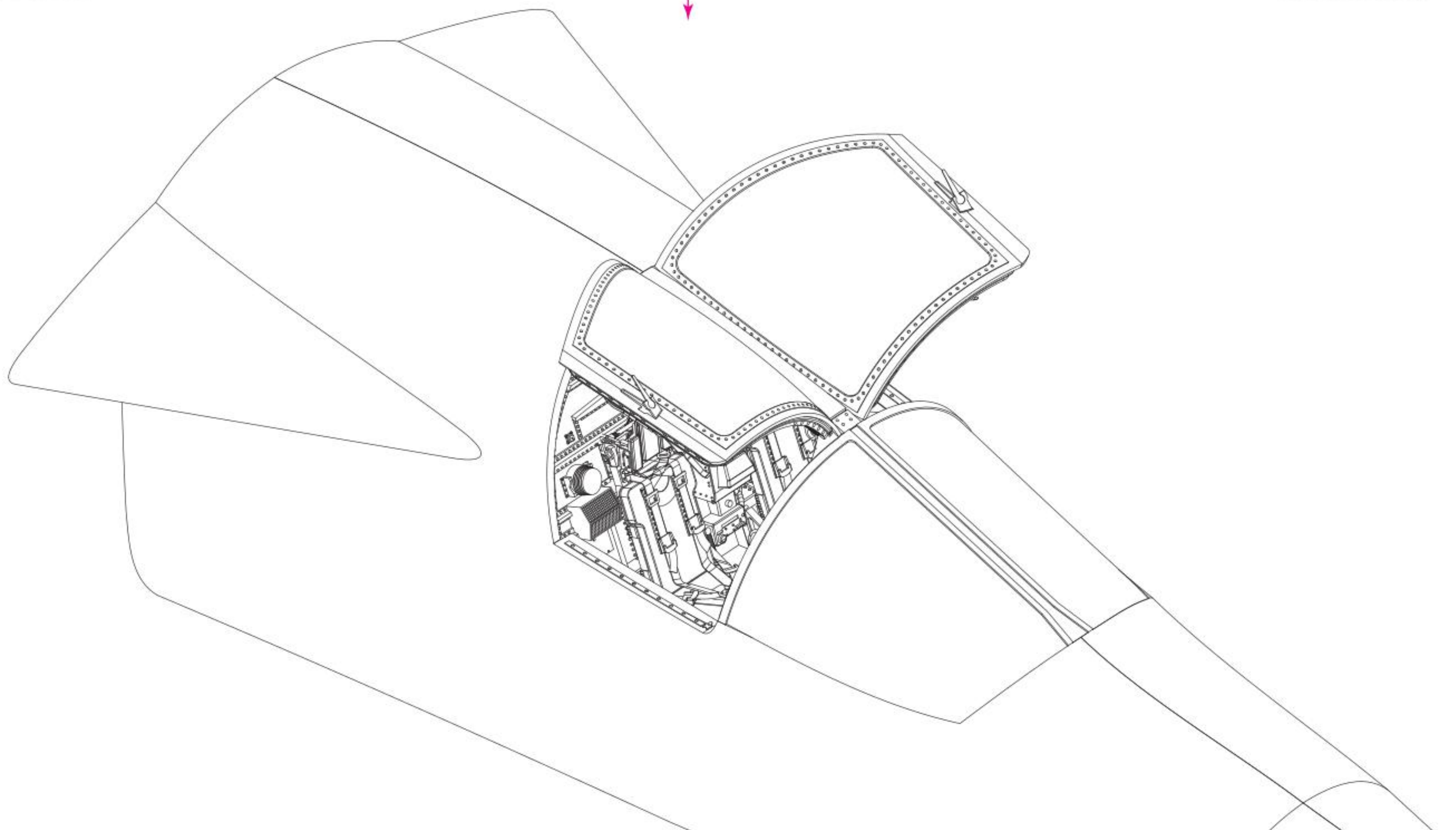
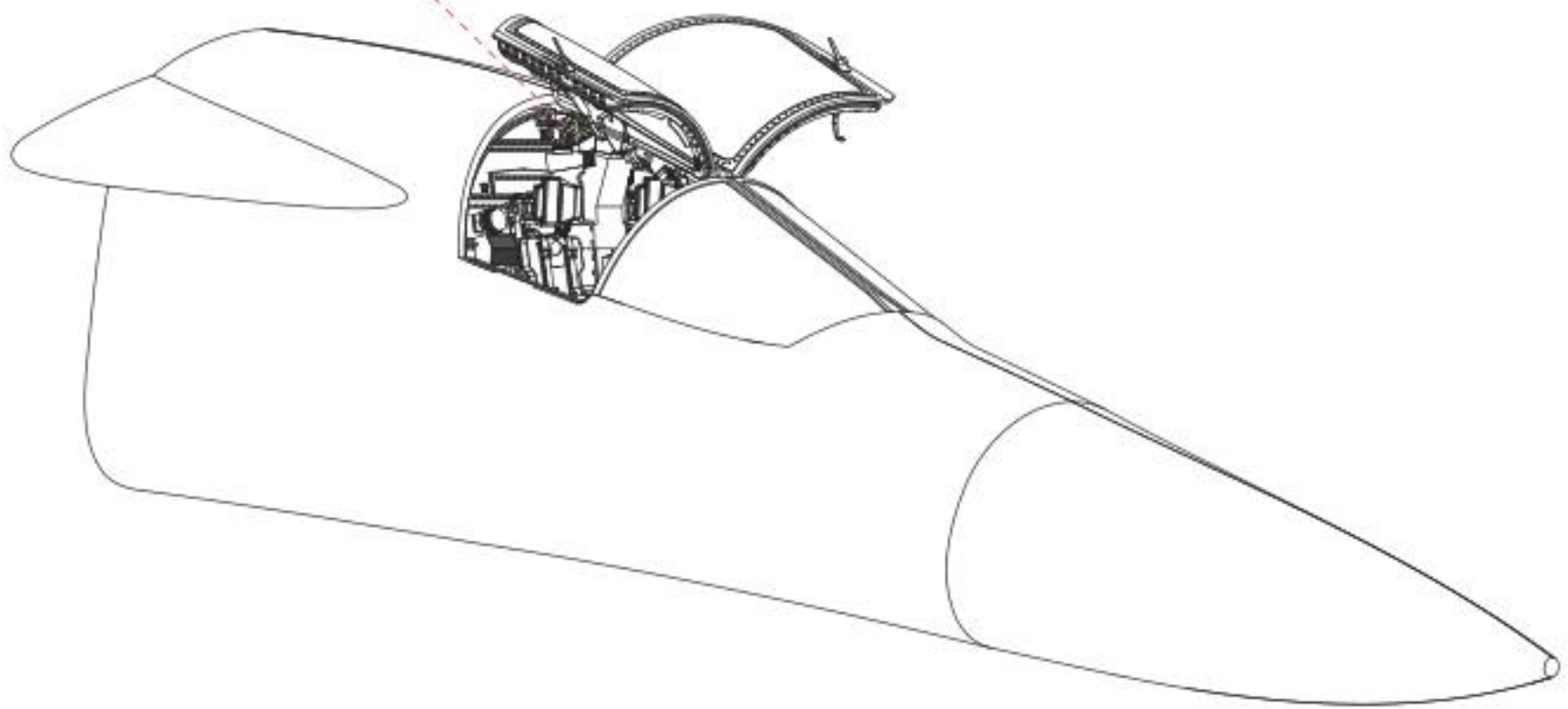
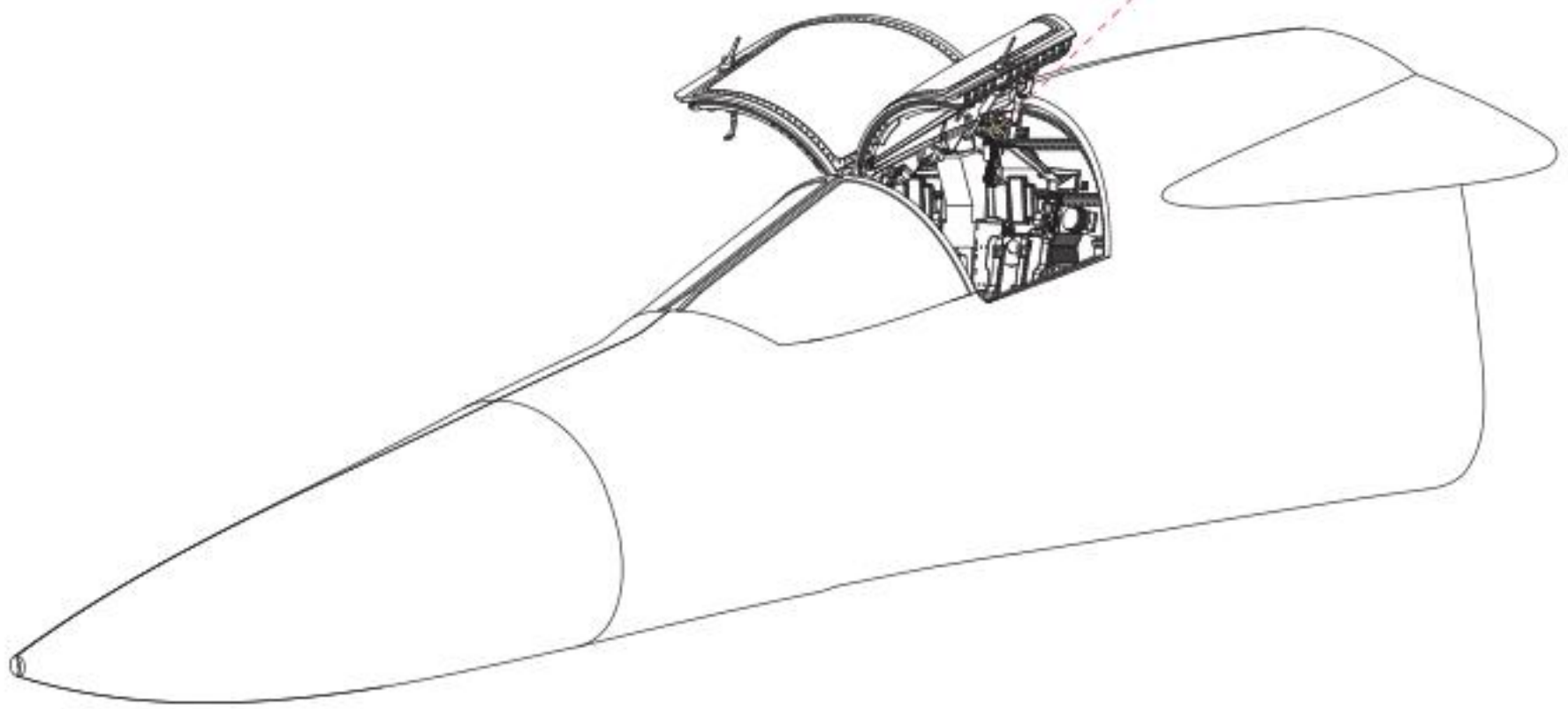
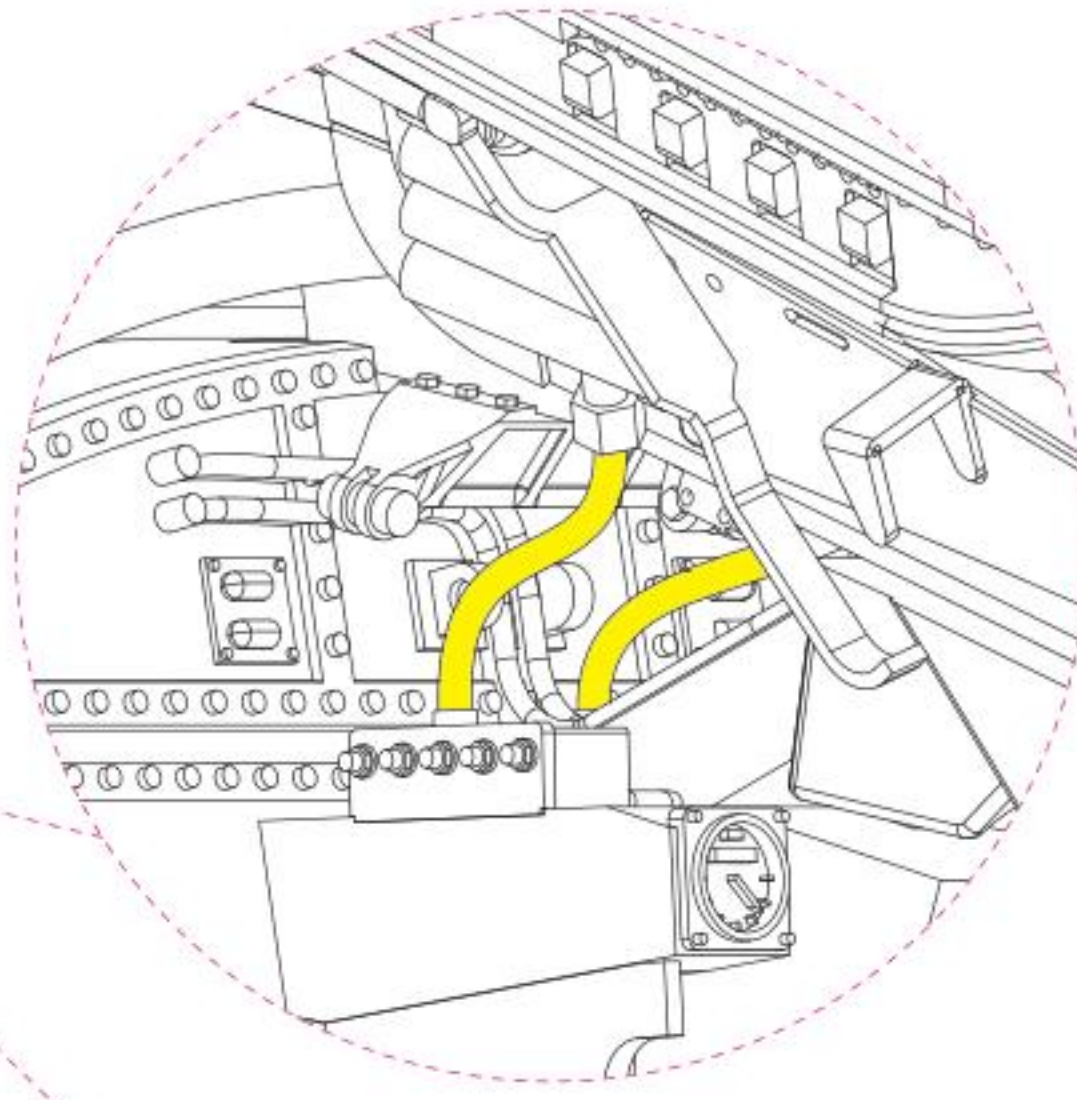


17





USE WIRE
D: 0.3 MM, L: 5 MM



**YOU CAN FIND INSTRUCTIONS
IN PDF FORMAT ON THE WEBSITE**

RESKIT-MODELS.COM

General Issues: info@reskit.com.ua

Wholesales: sales@reskit.com.ua

Claim Resolution: claims@reskit.com.ua