

R1

 USE A SAW TO REMOVE SUPPORTS
FROM 3D PRINTED PARTS

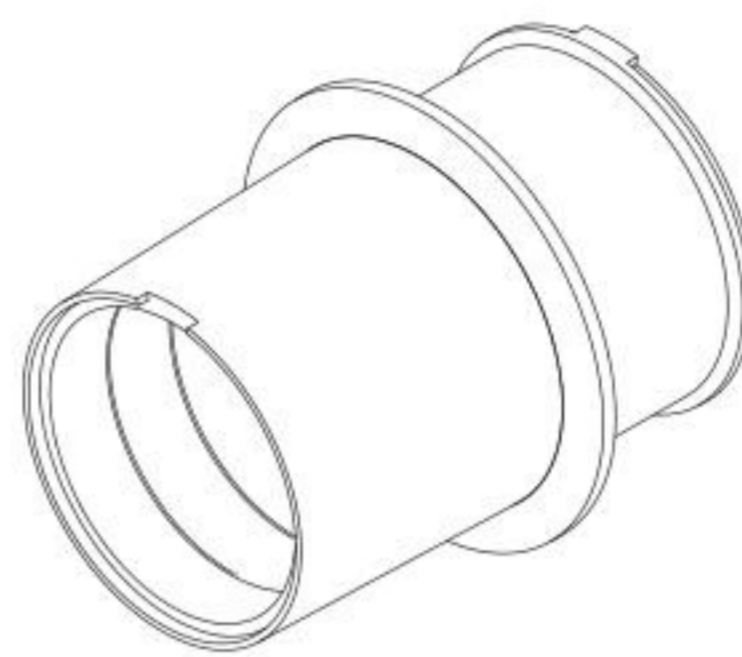
**DETAILS AFTER REMOVAL
FROM SUPPORTS**



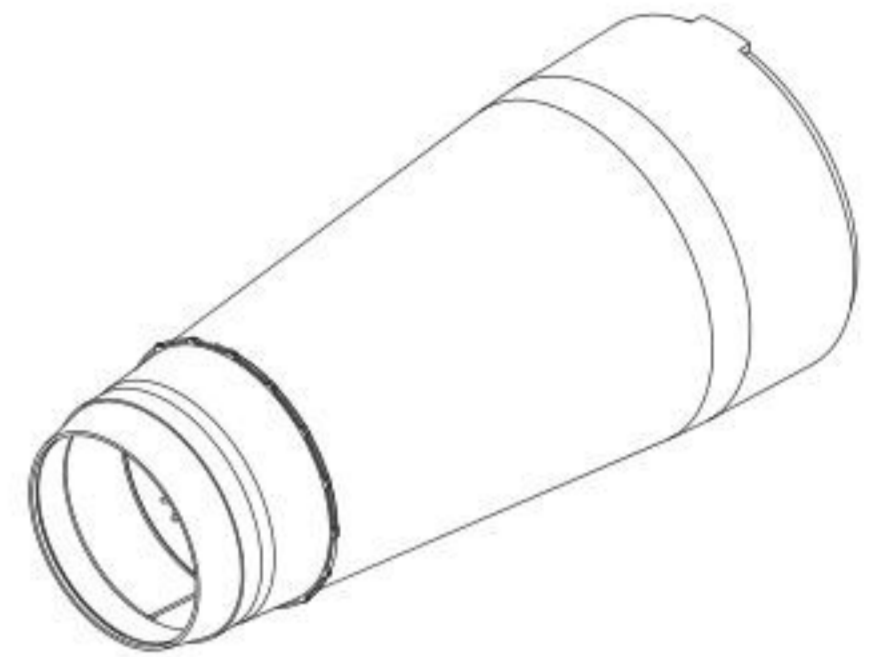
R2



R3

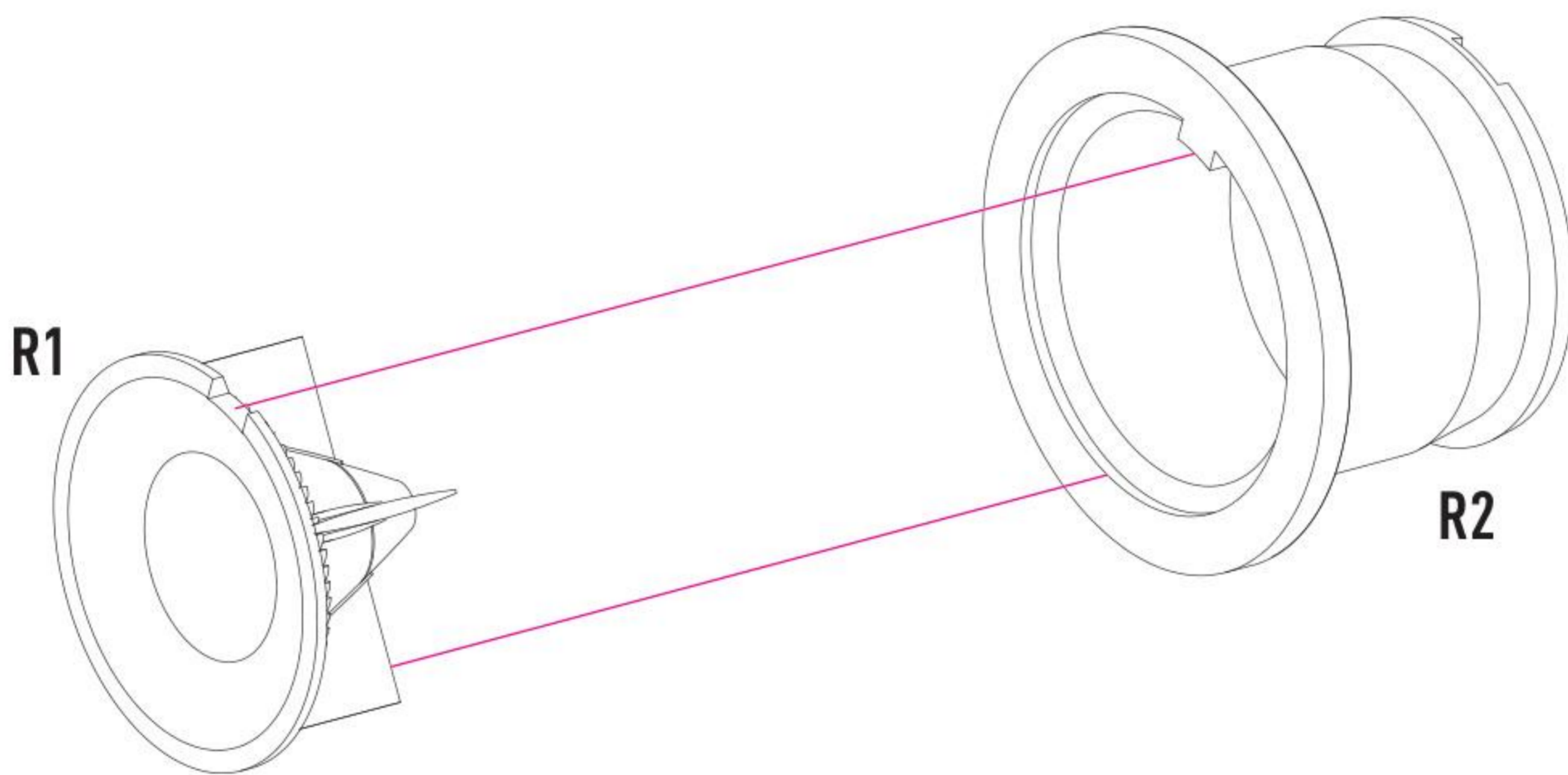


R4

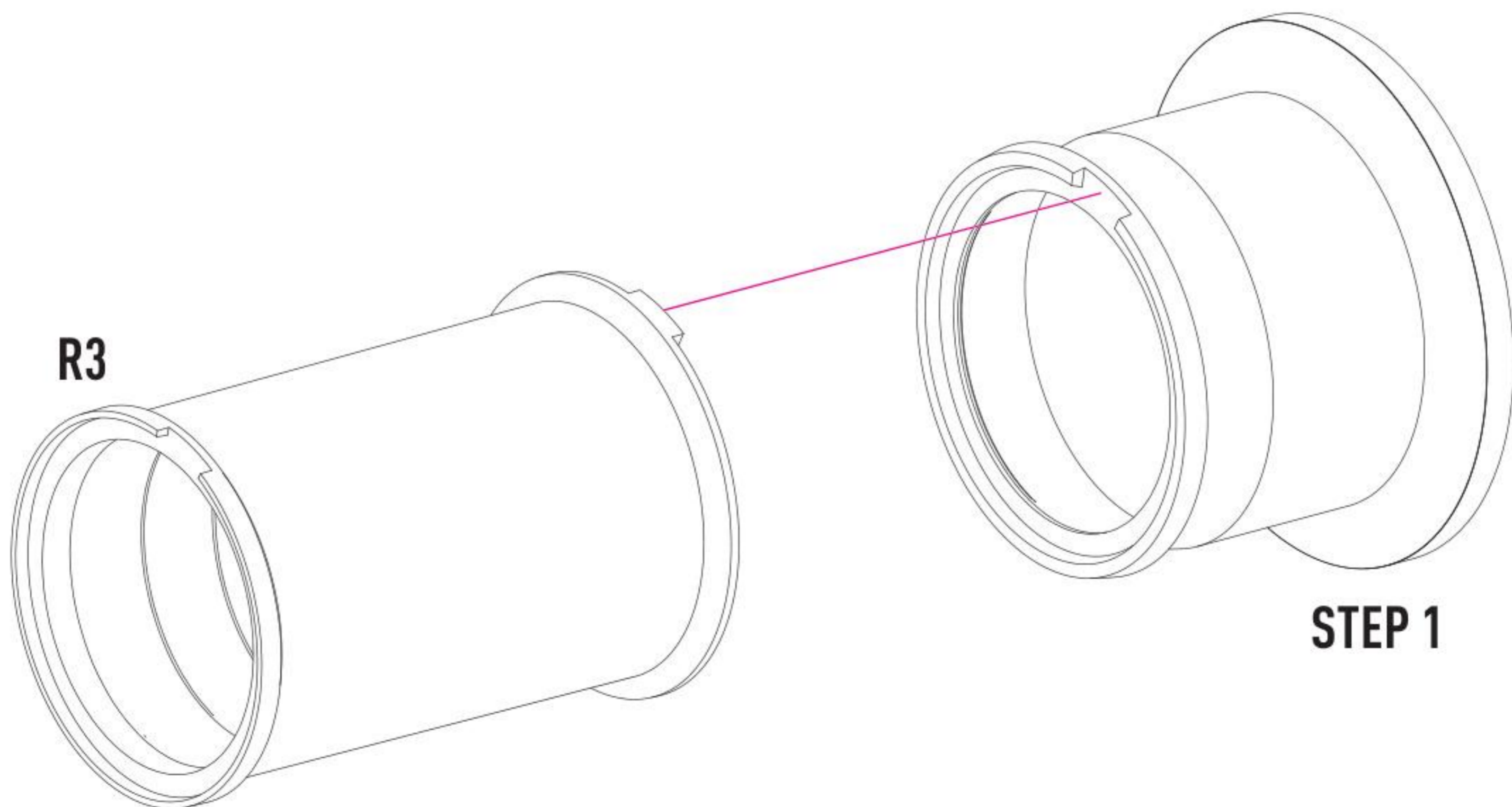


R5

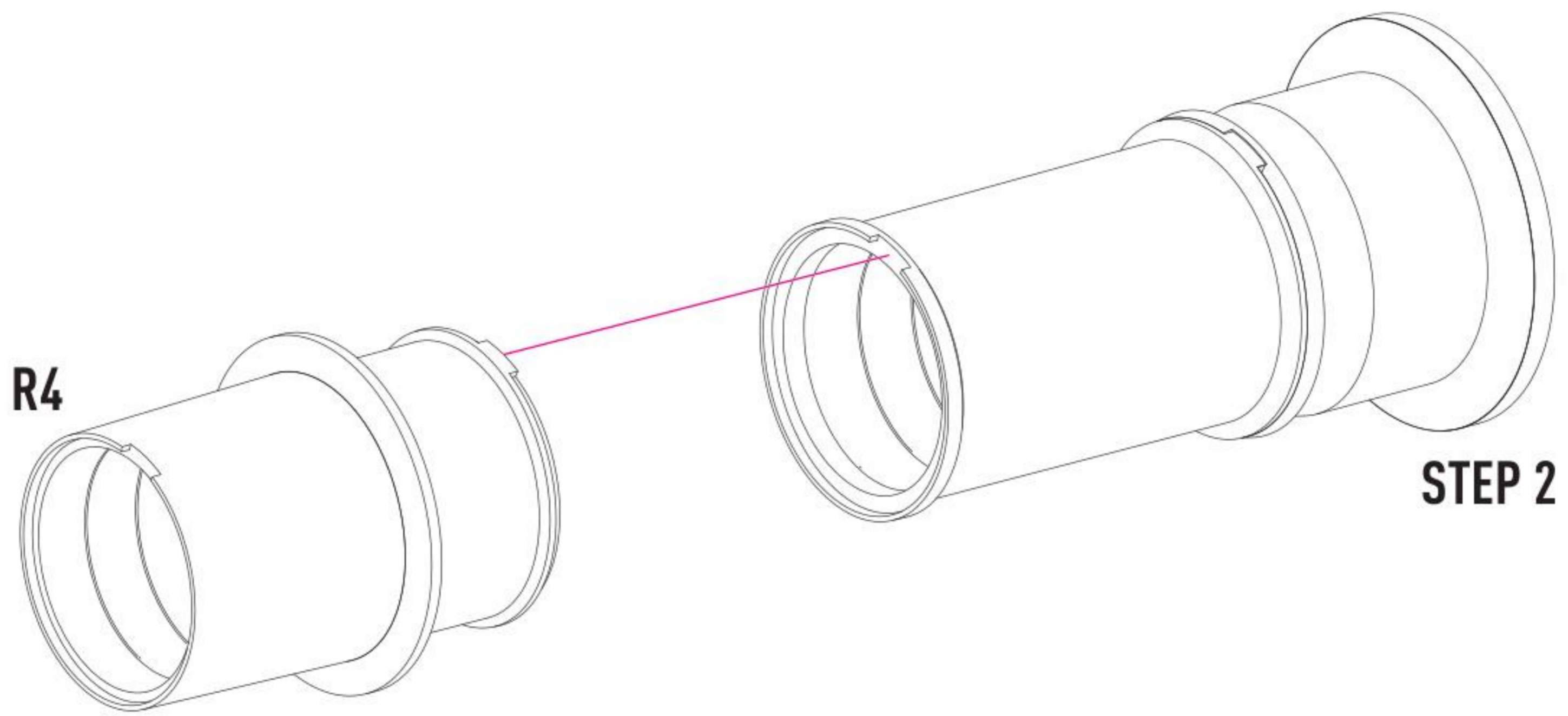
1



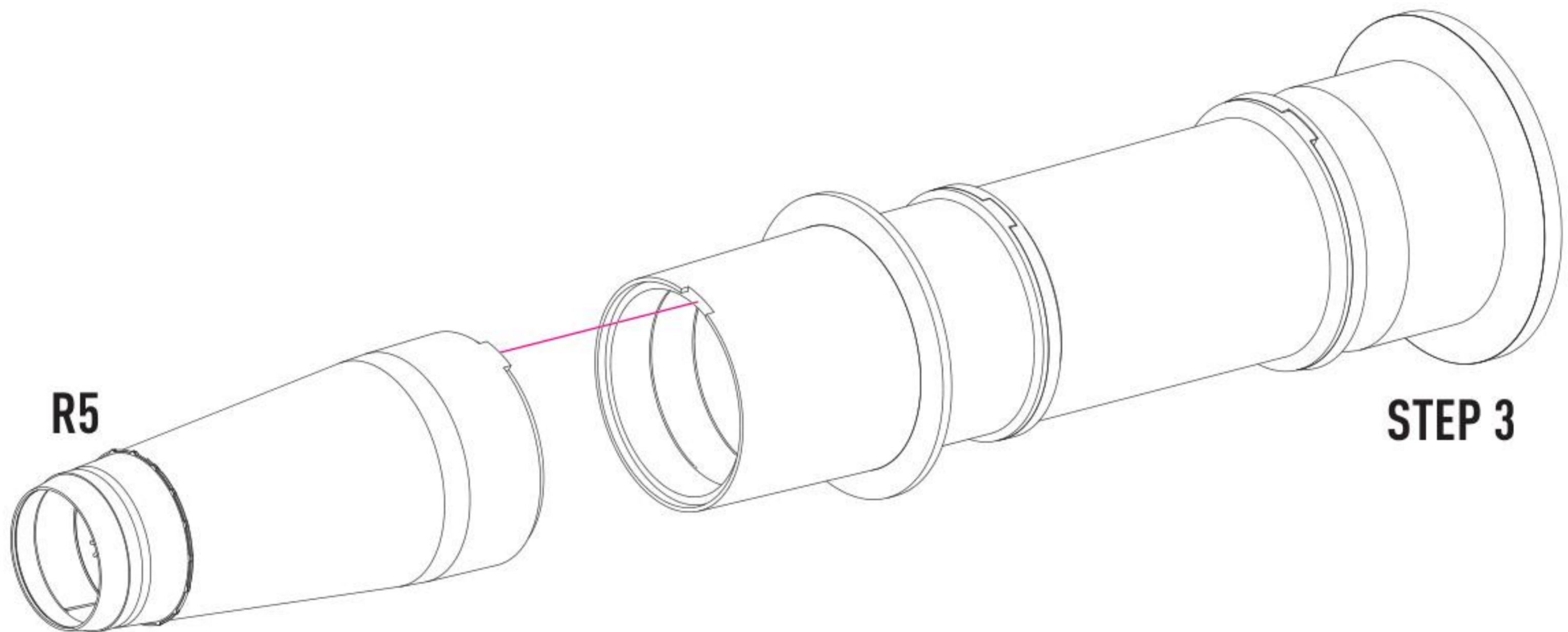
2



3



4



5

