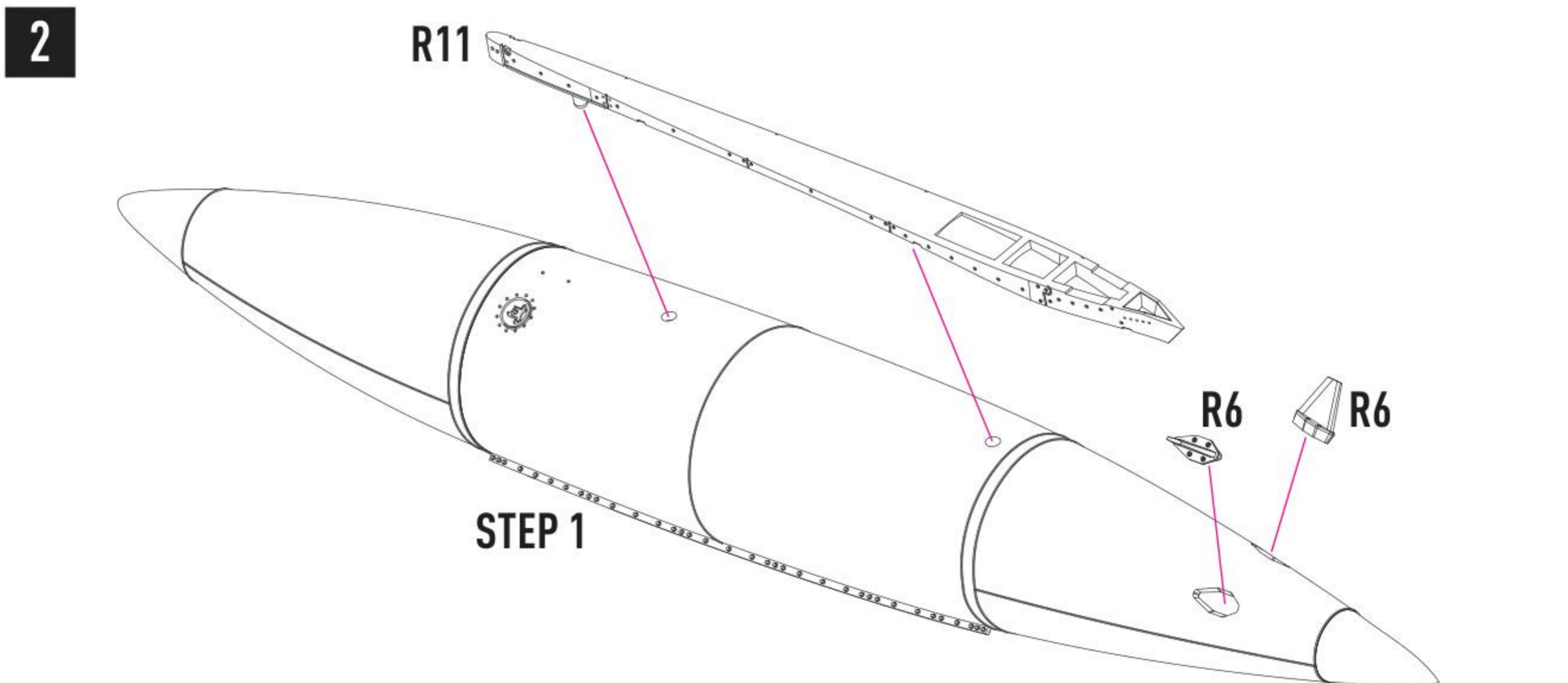
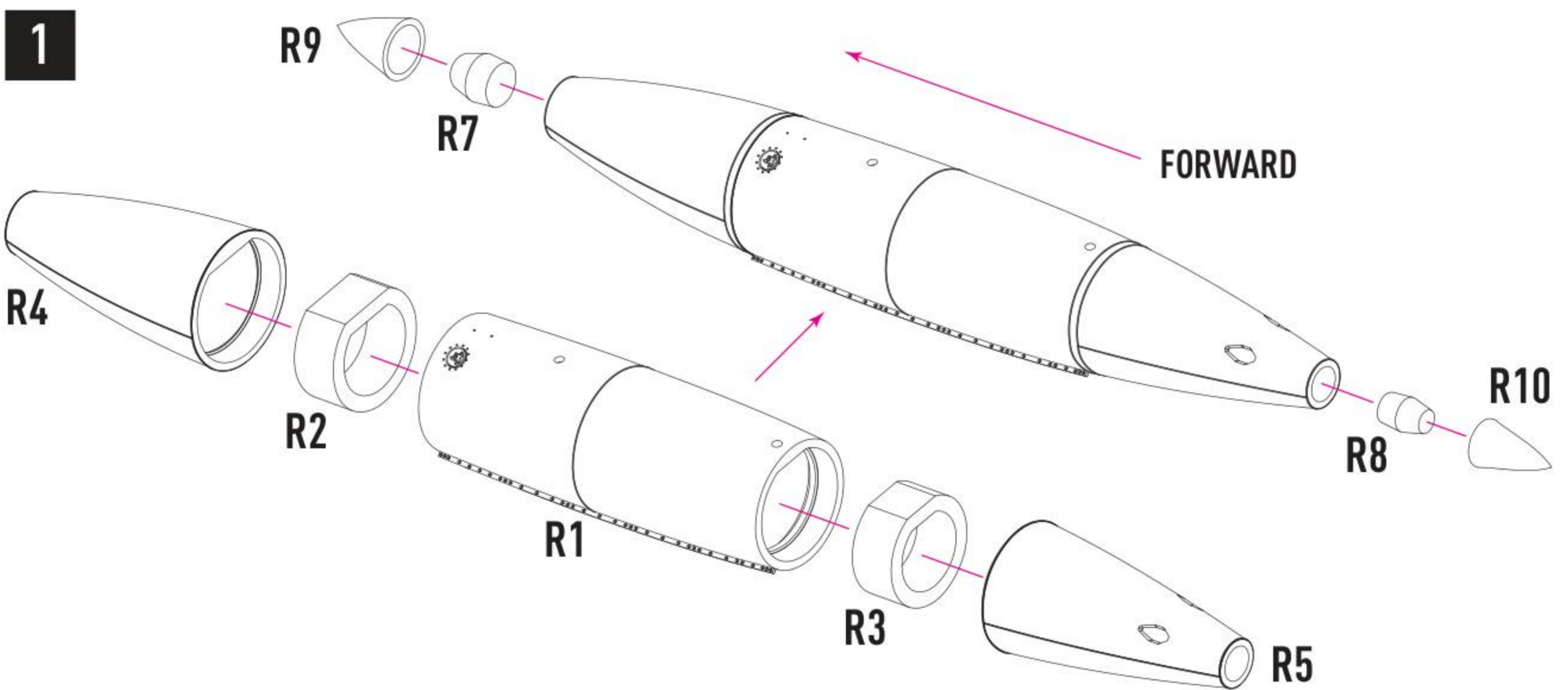
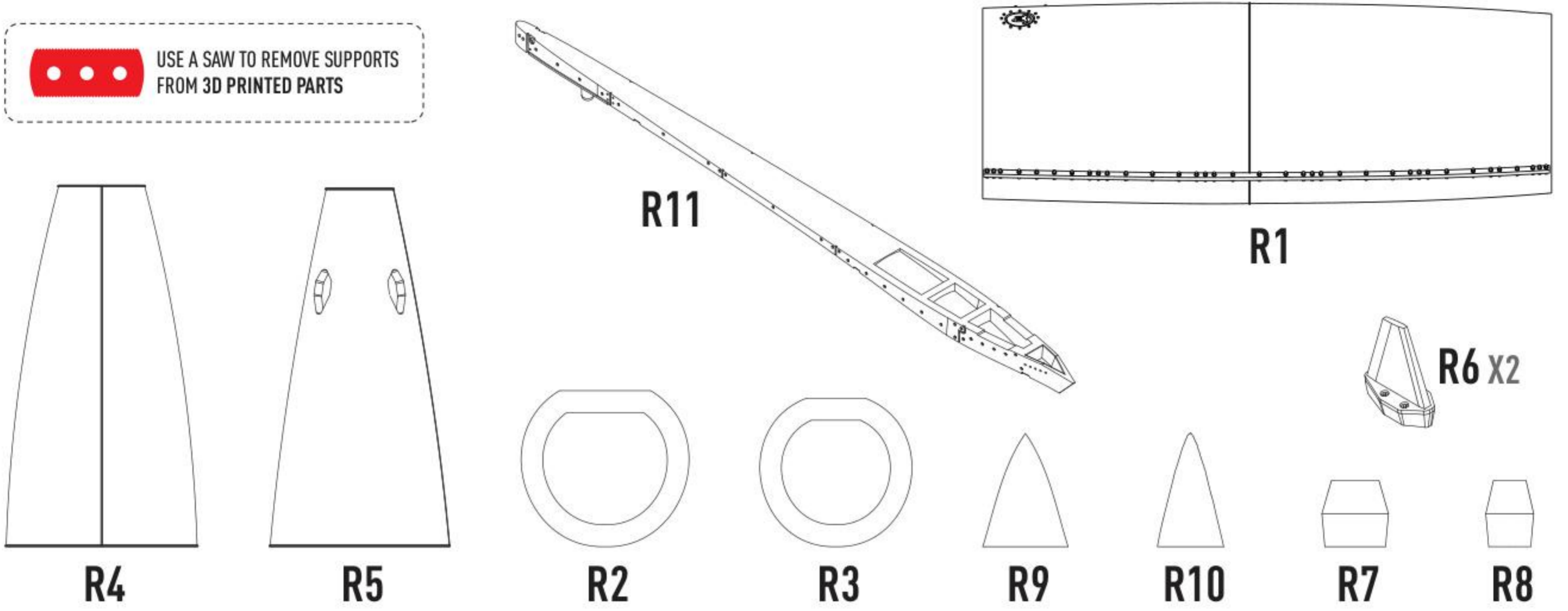
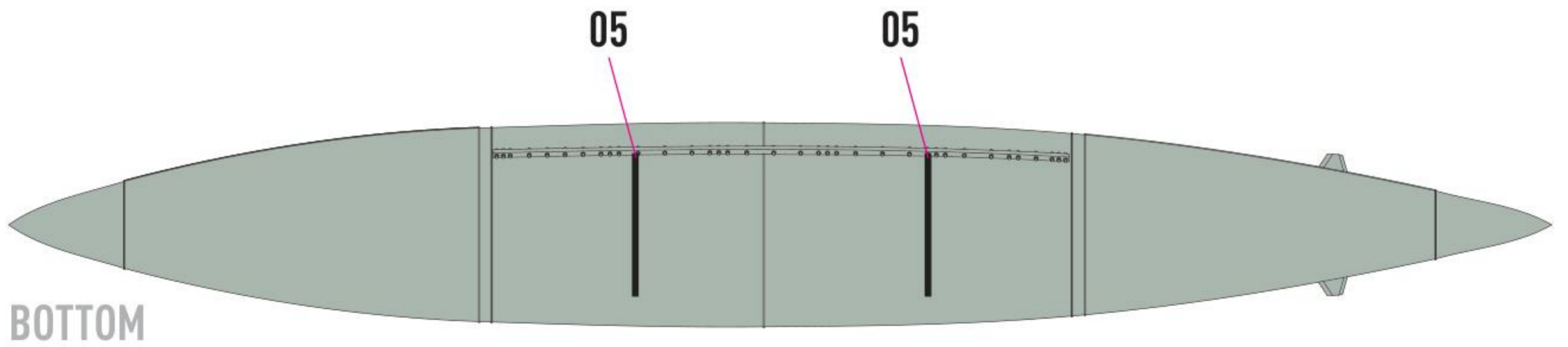
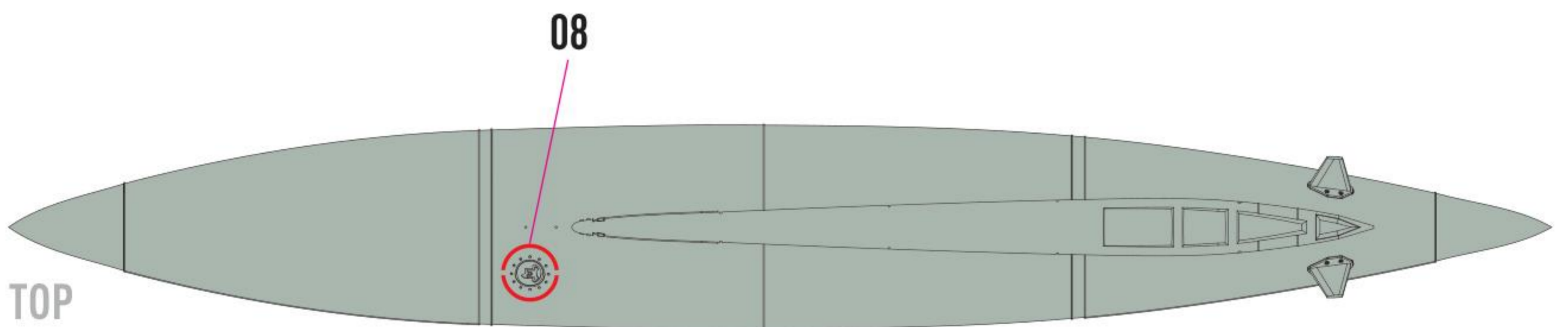
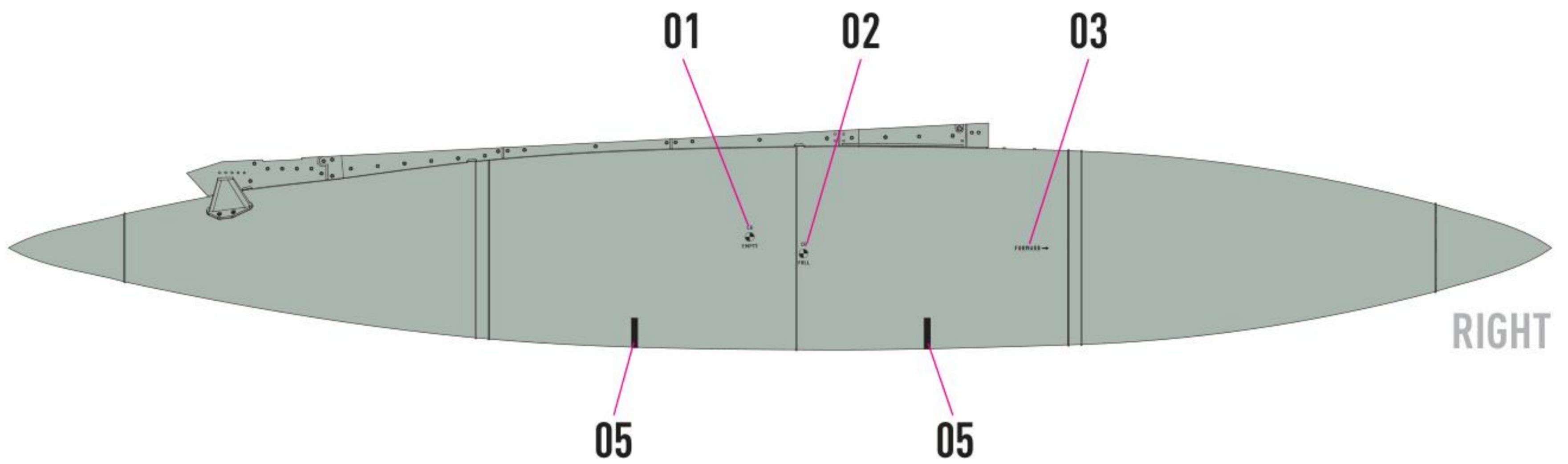
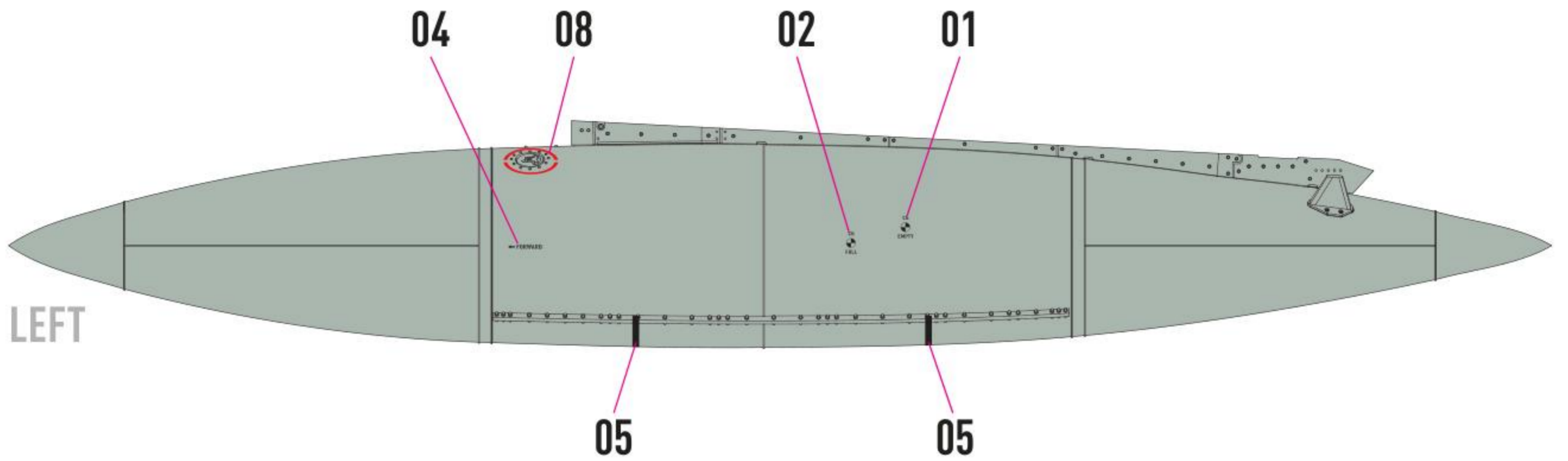


DETAILS AFTER REMOVAL FROM SUPPORTS

 USE A SAW TO REMOVE SUPPORTS FROM 3D PRINTED PARTS





PAINT PYLONS IN THE COLOR OF THE AIRCRAFT