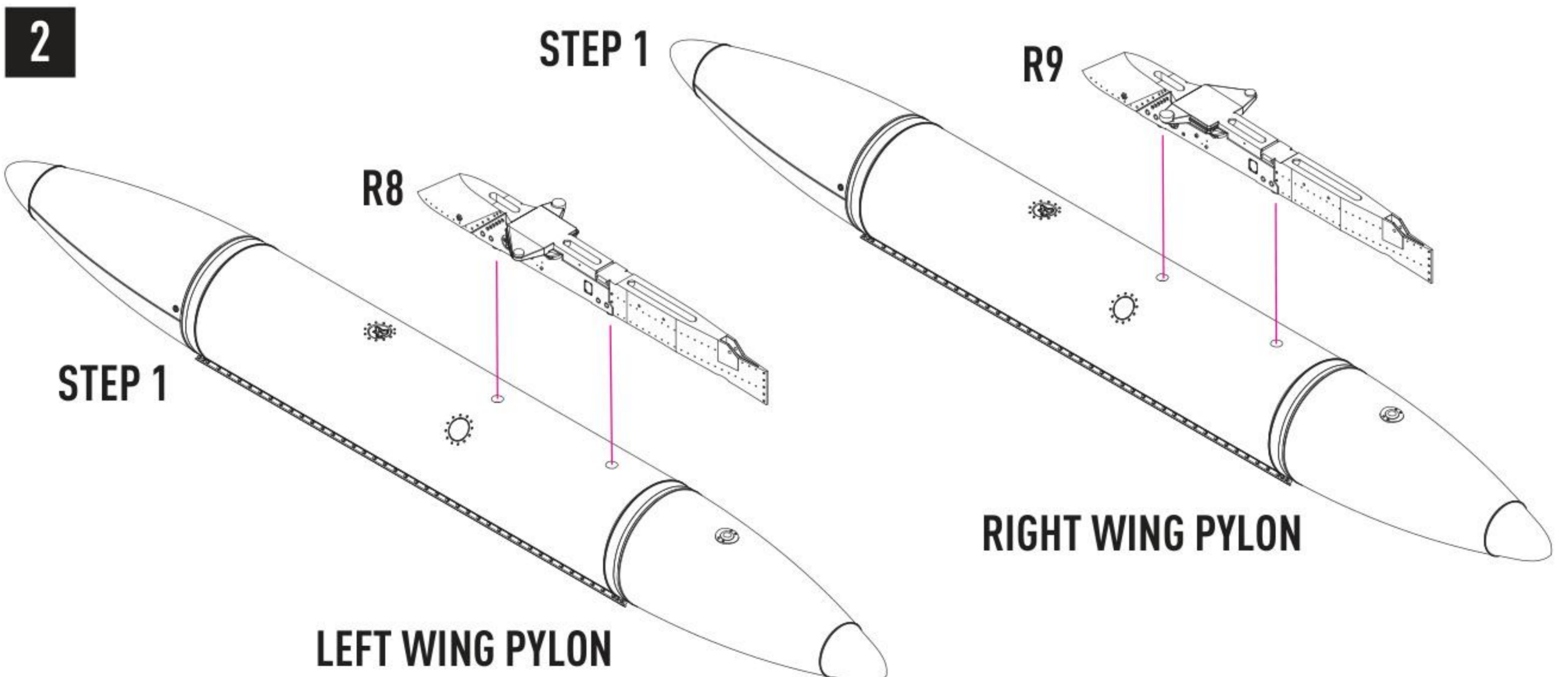
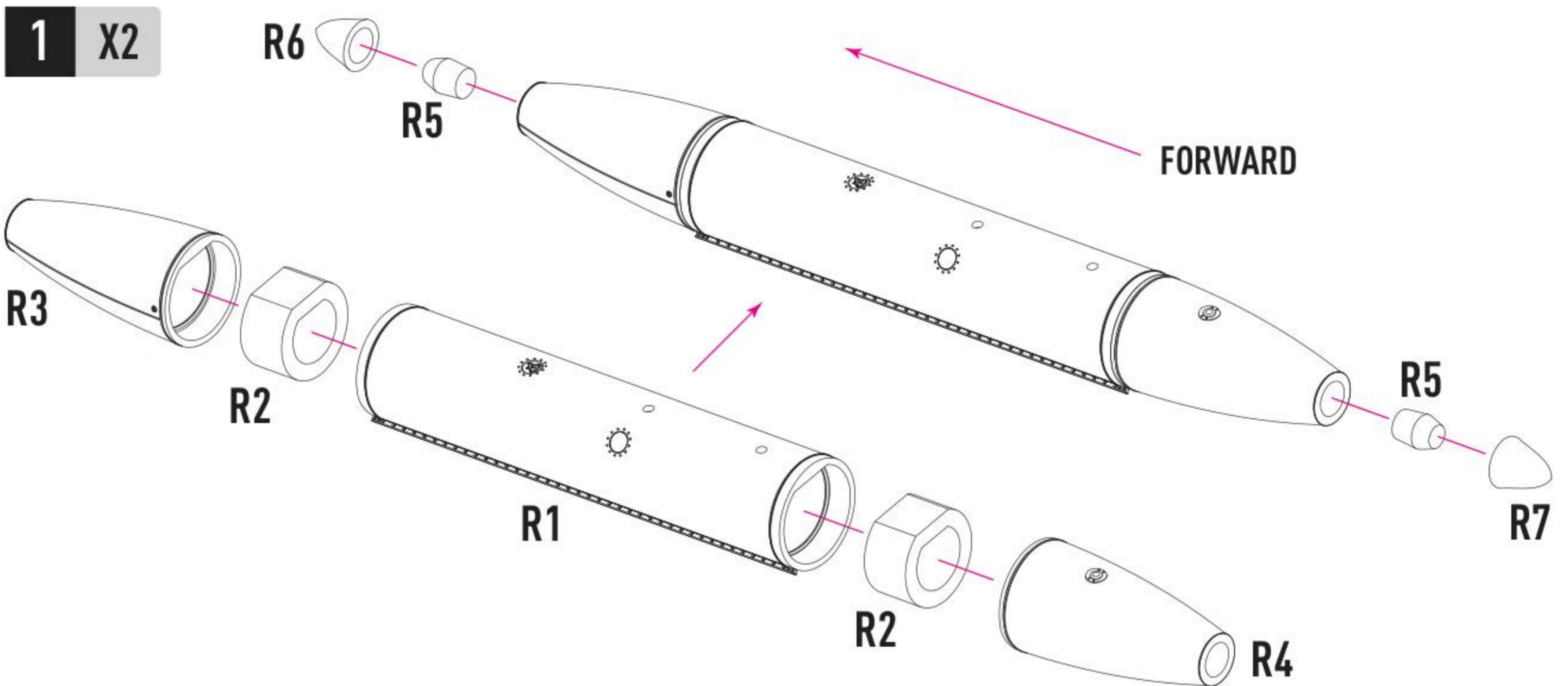
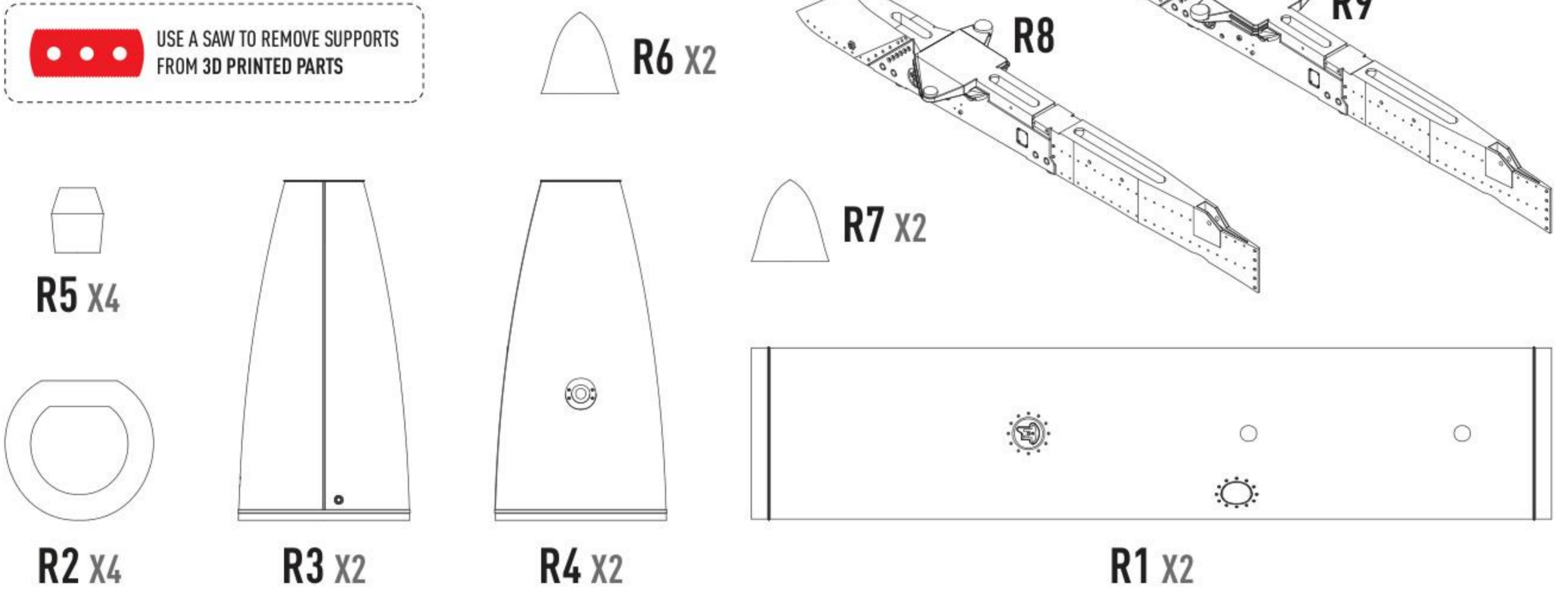
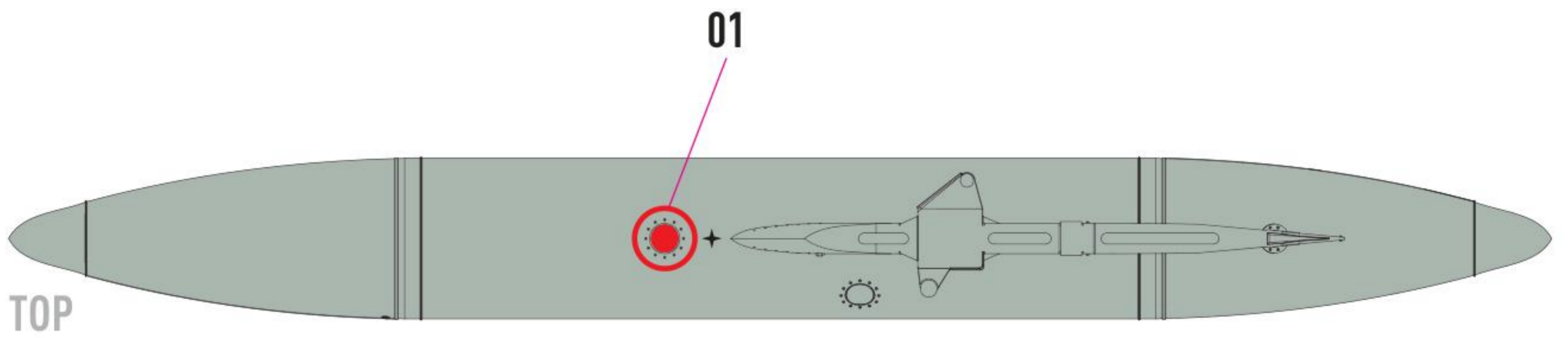
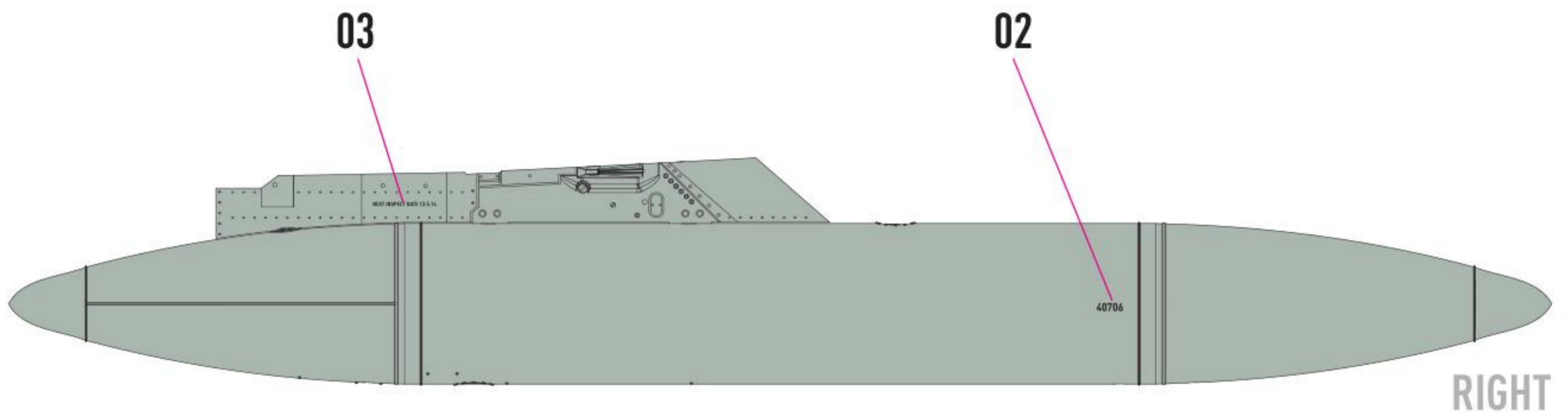
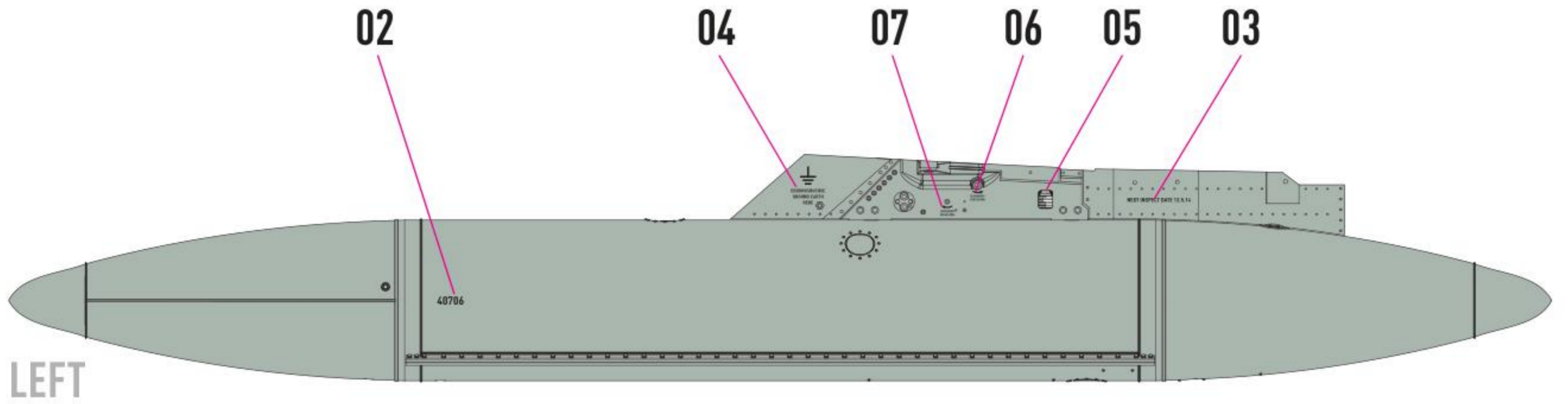


DETAILS AFTER REMOVAL FROM SUPPORTS

 USE A SAW TO REMOVE SUPPORTS FROM 3D PRINTED PARTS





APPLY DECALS TO THE SECOND PYLON SYMMETRICALLY
PAINT PYLONS IN THE COLOR OF THE AIRCRAFT