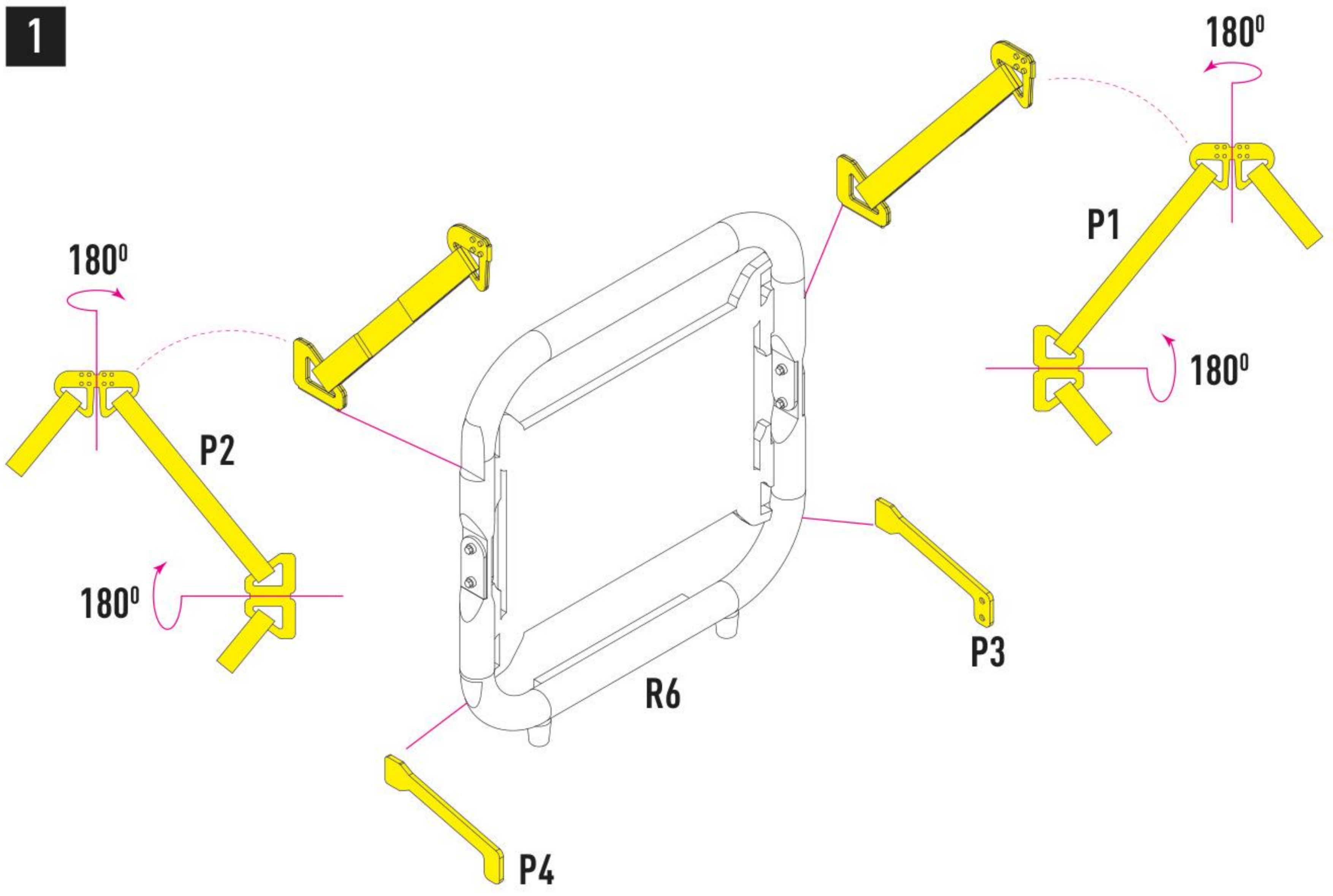
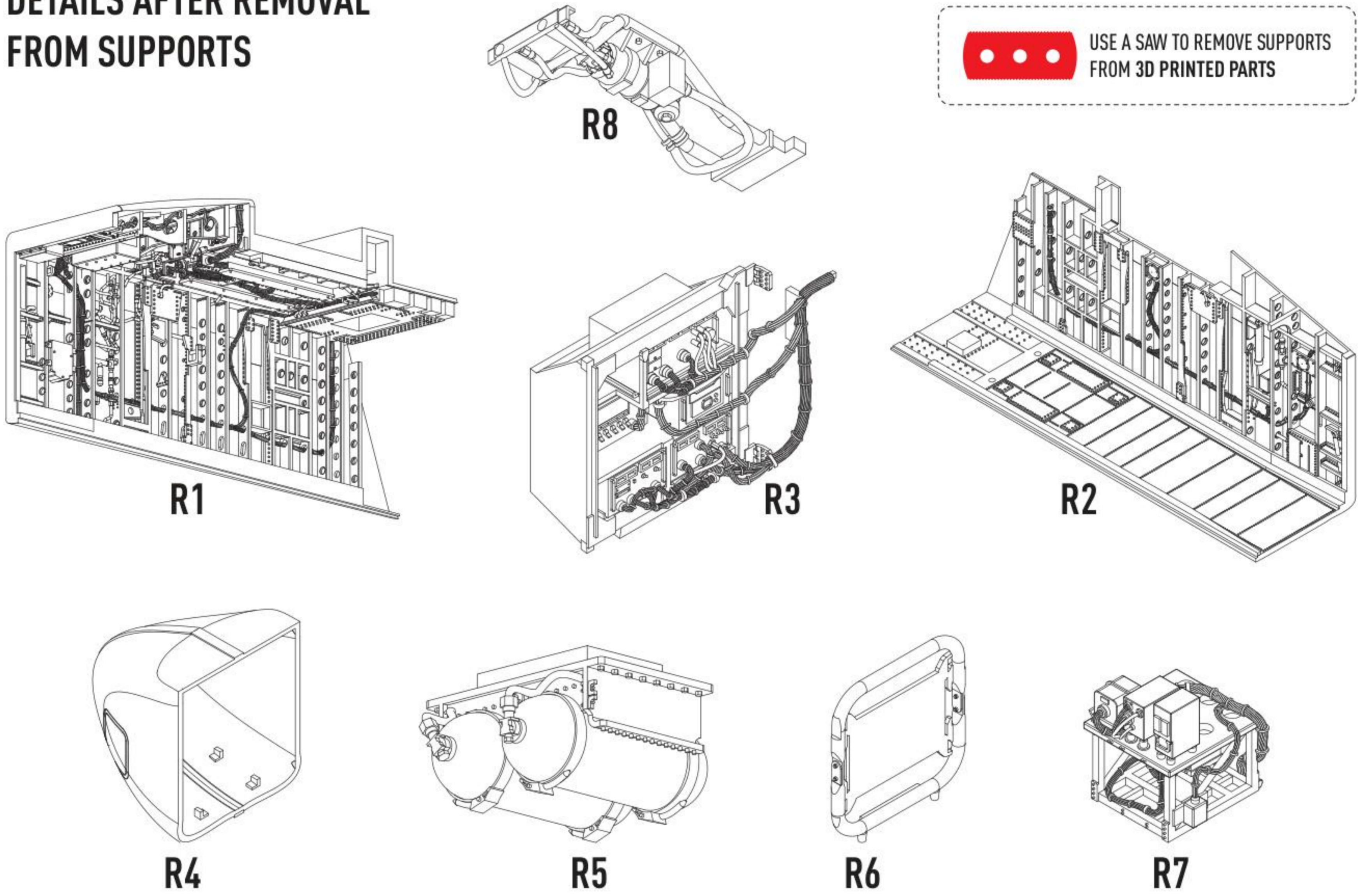
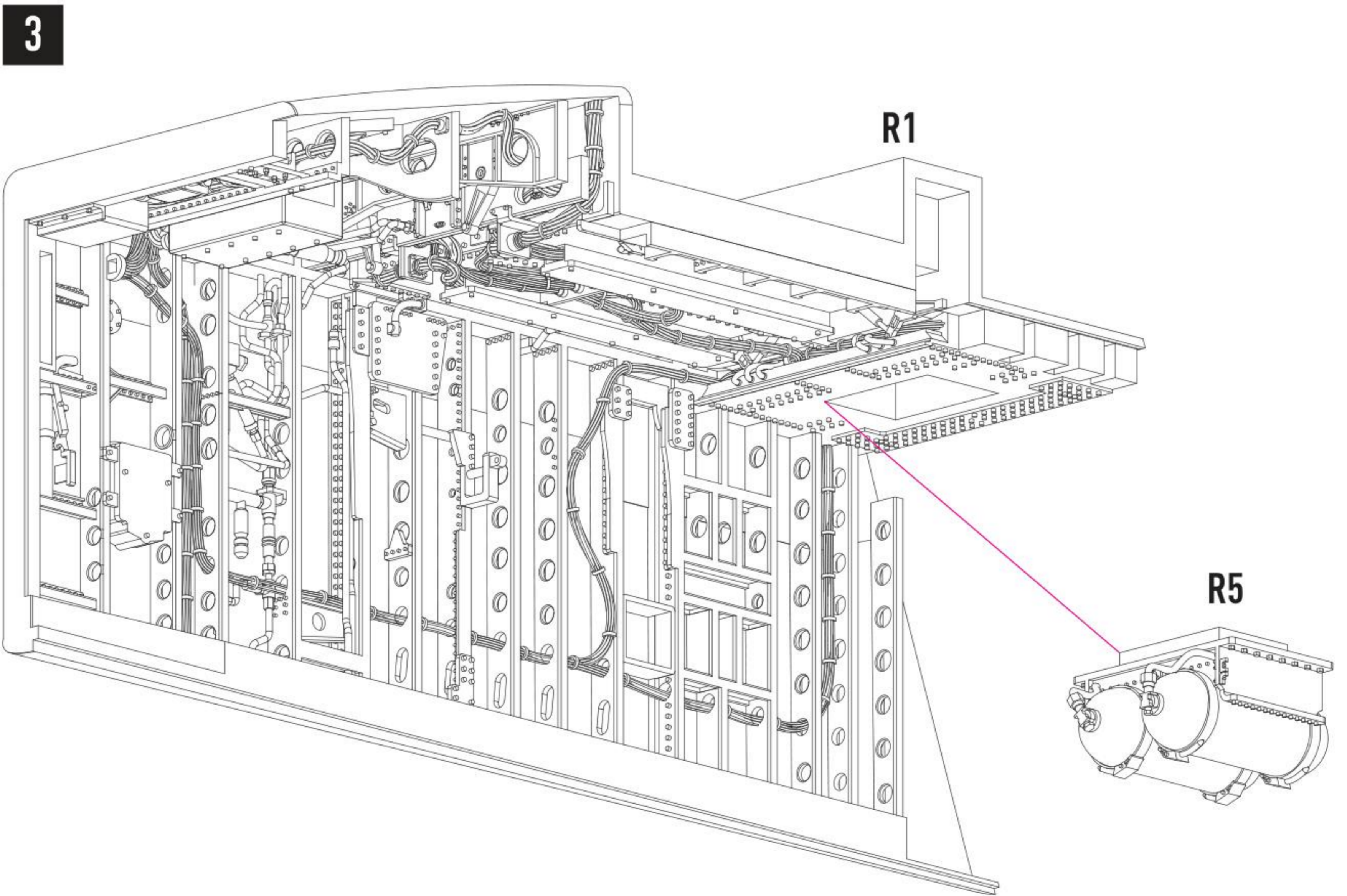
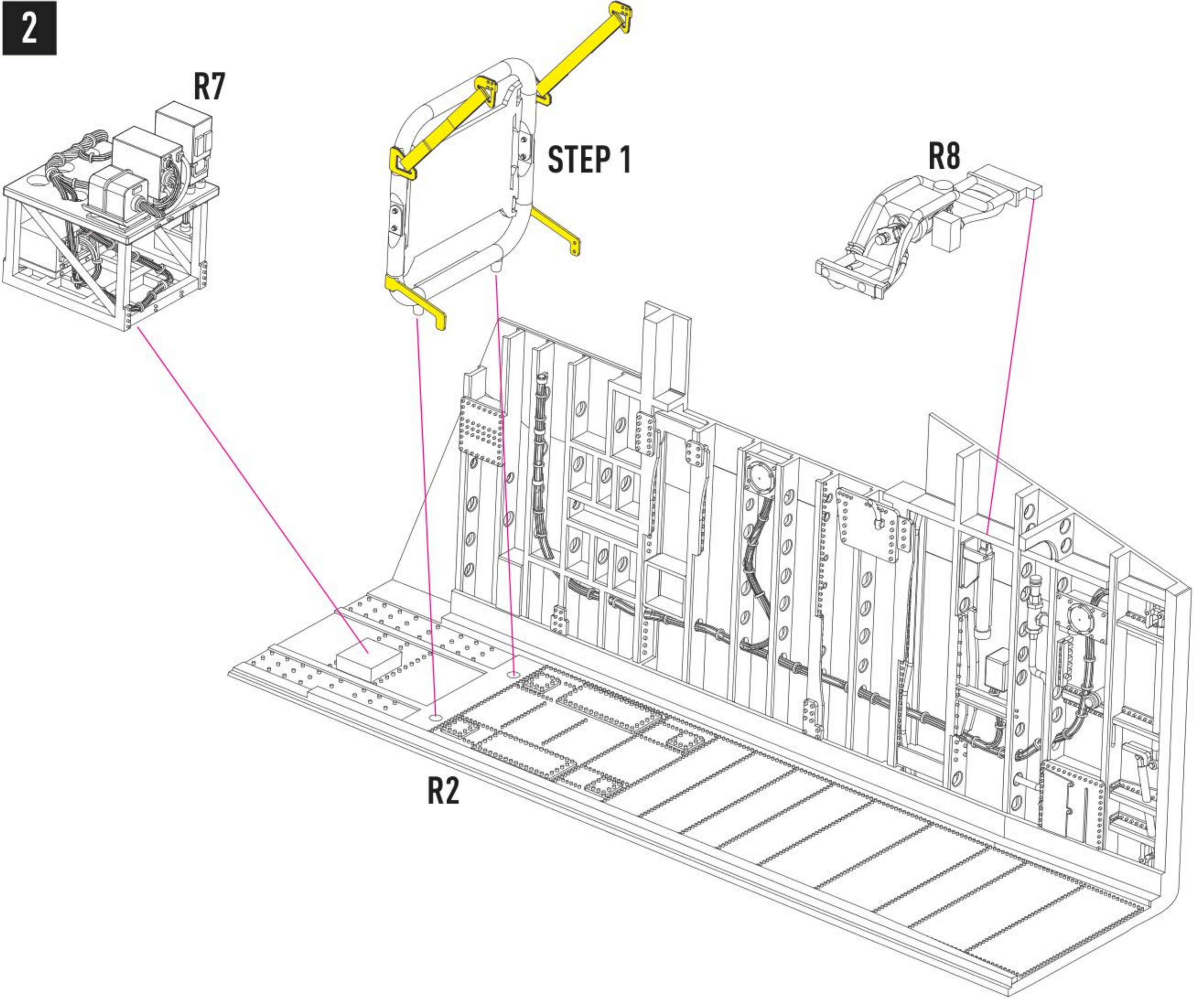


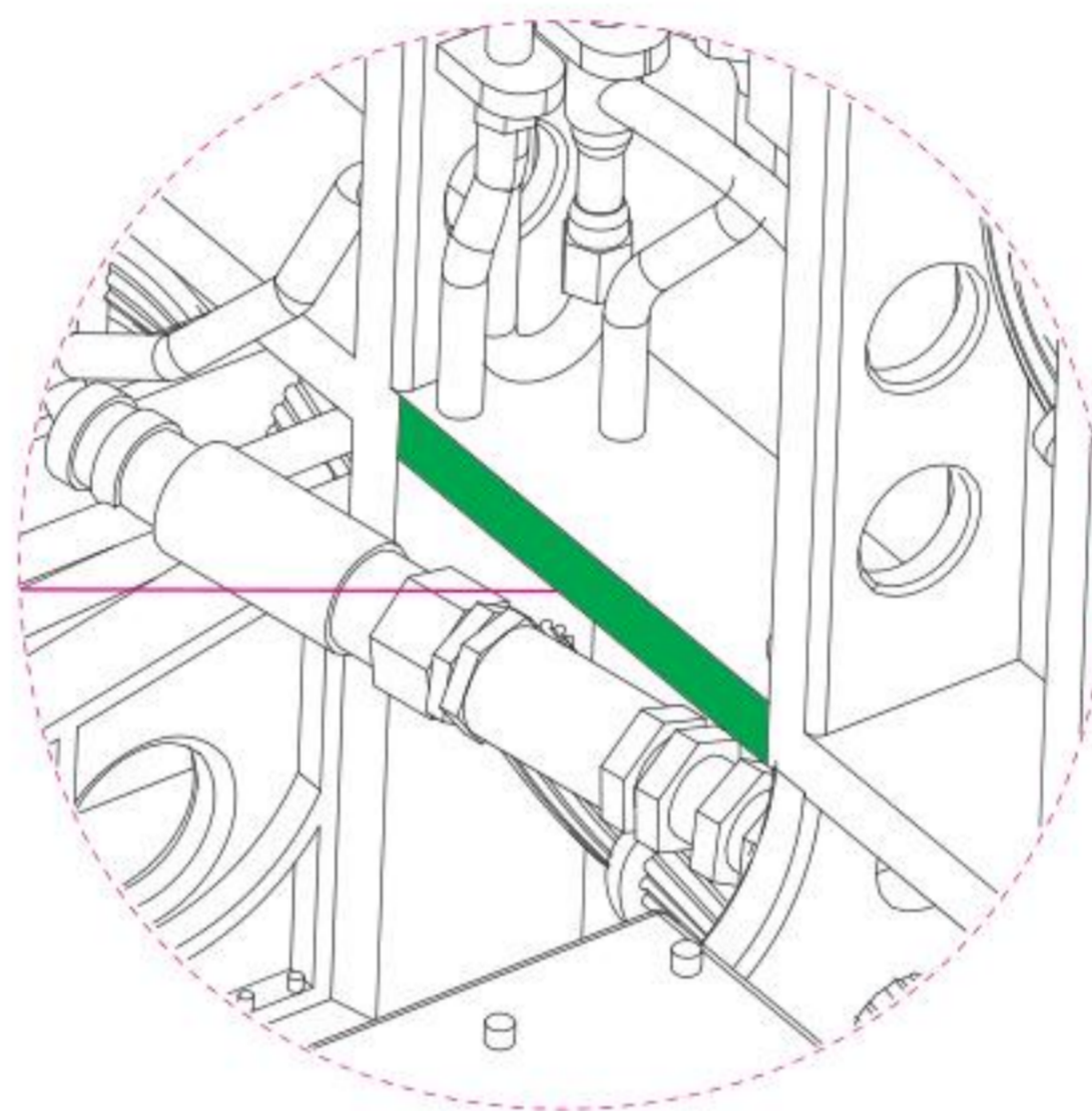
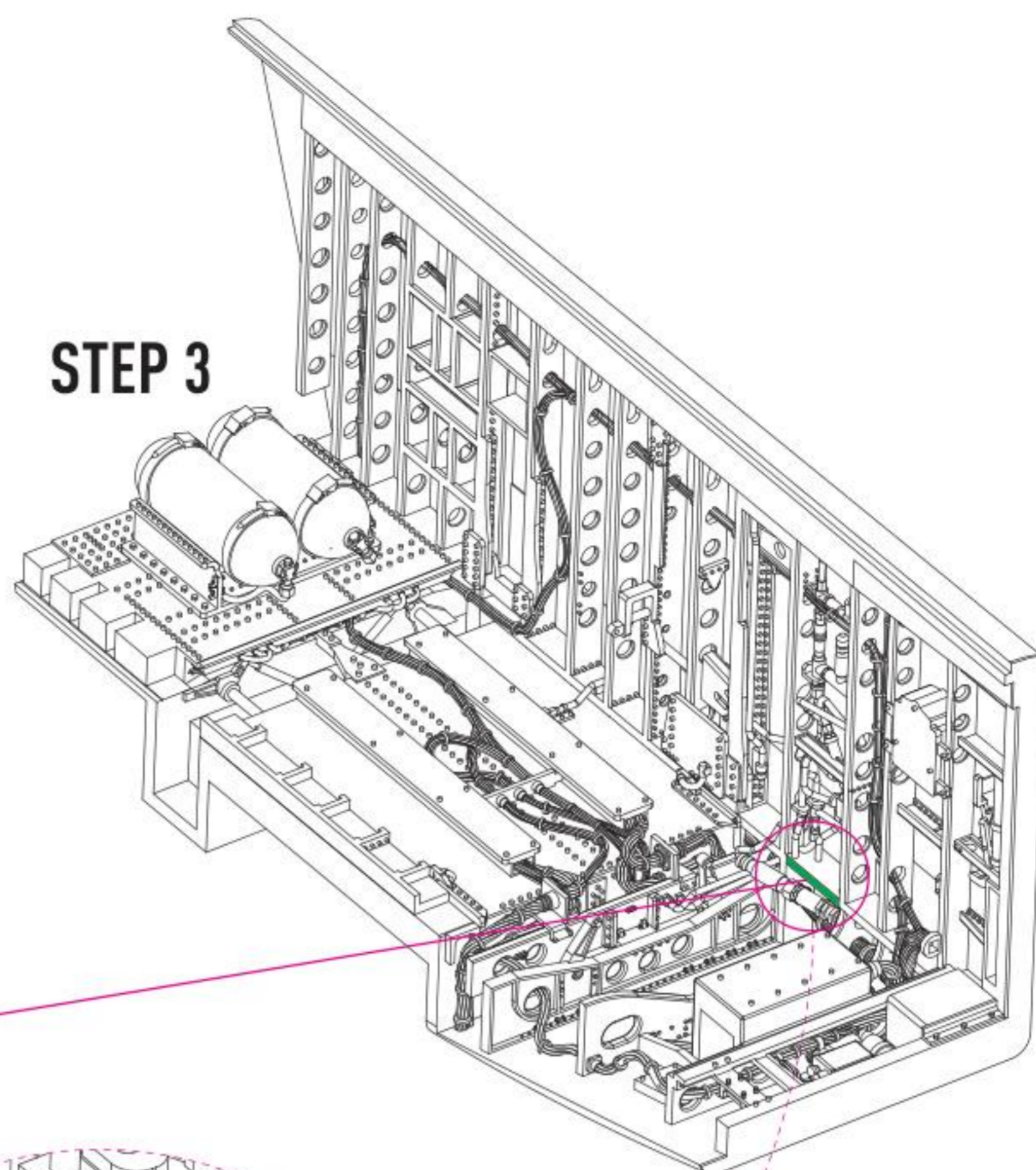
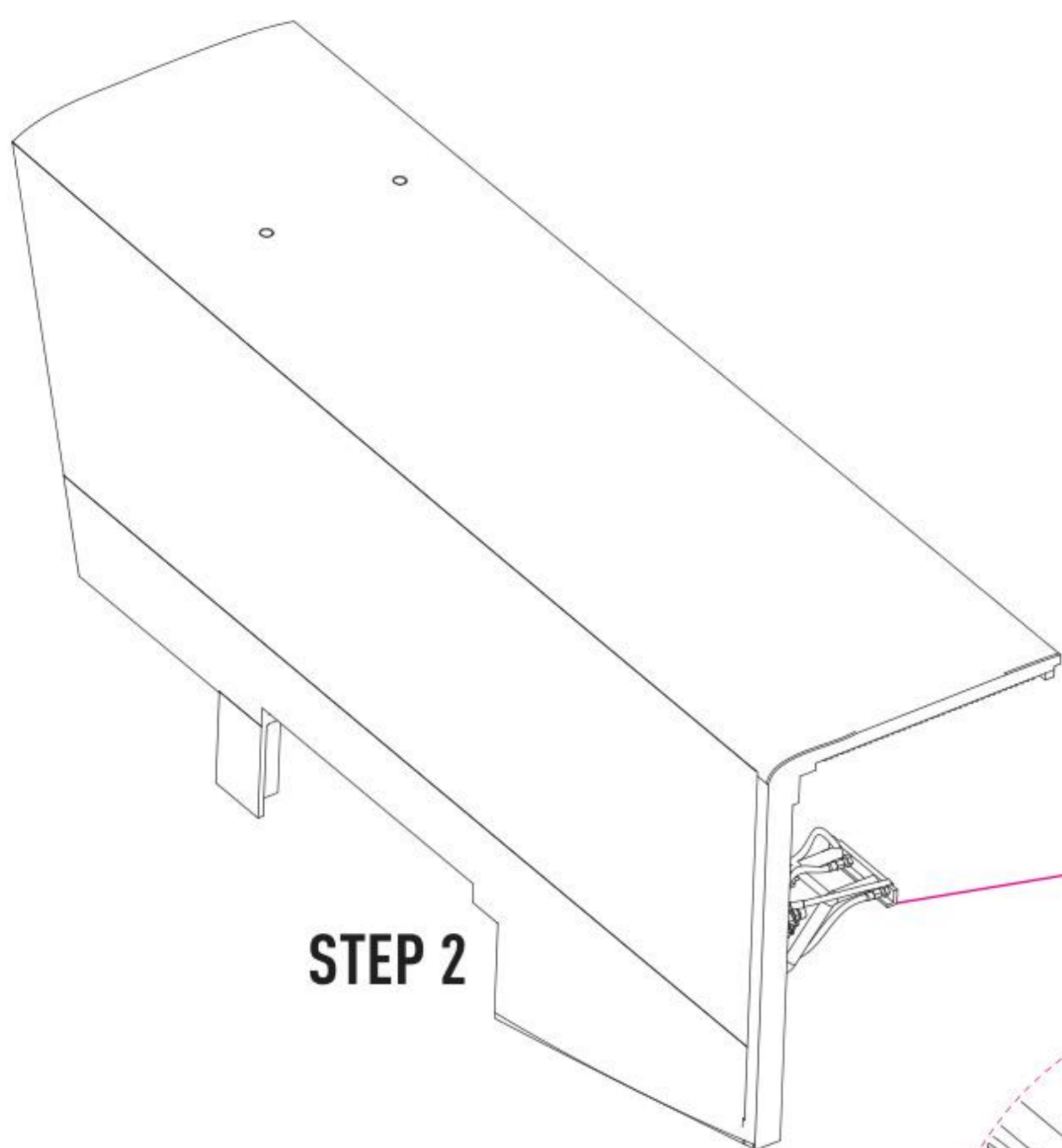
DETAILS AFTER REMOVAL FROM SUPPORTS

USE A SAW TO REMOVE SUPPORTS
FROM 3D PRINTED PARTS

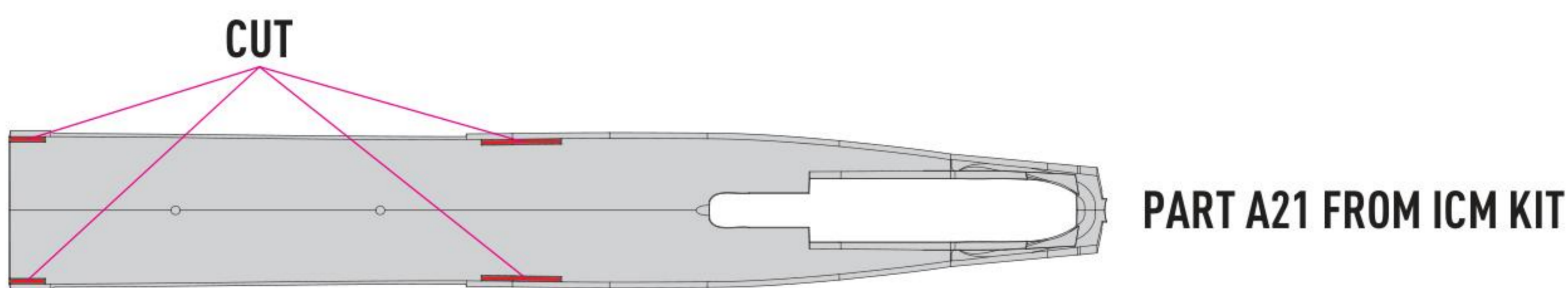
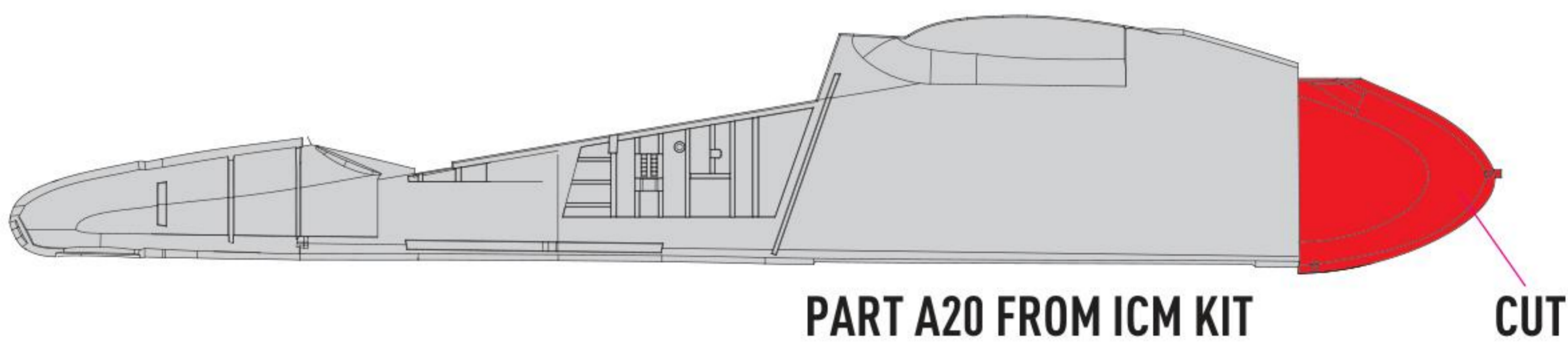
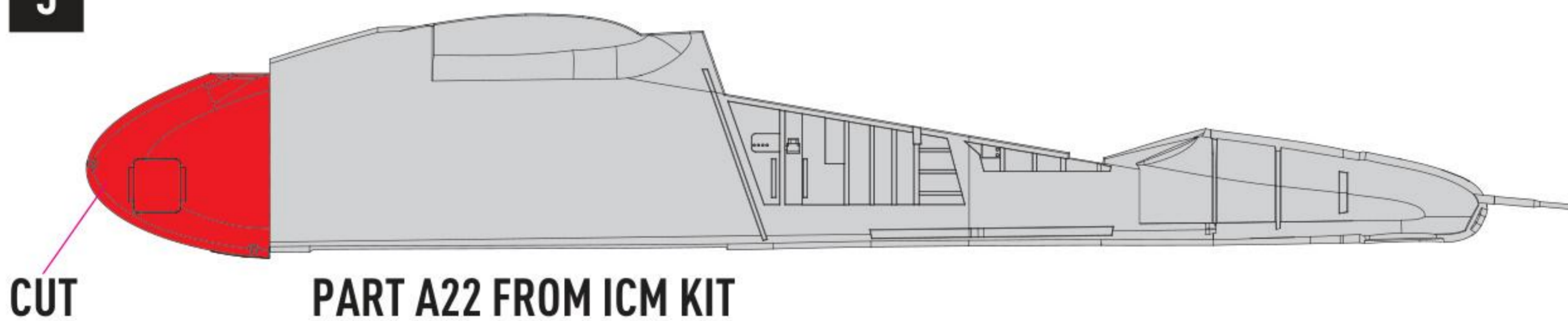




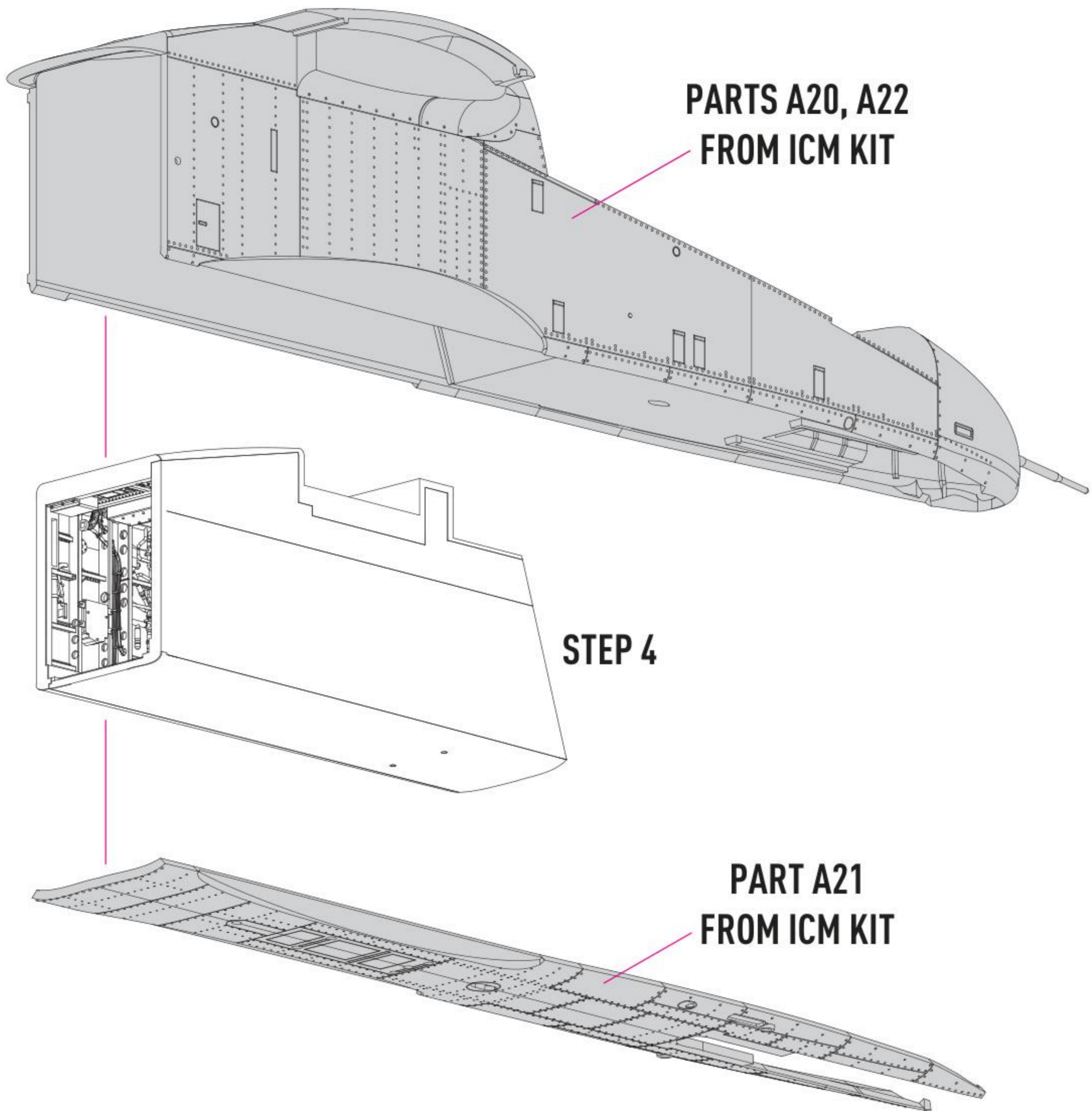
4



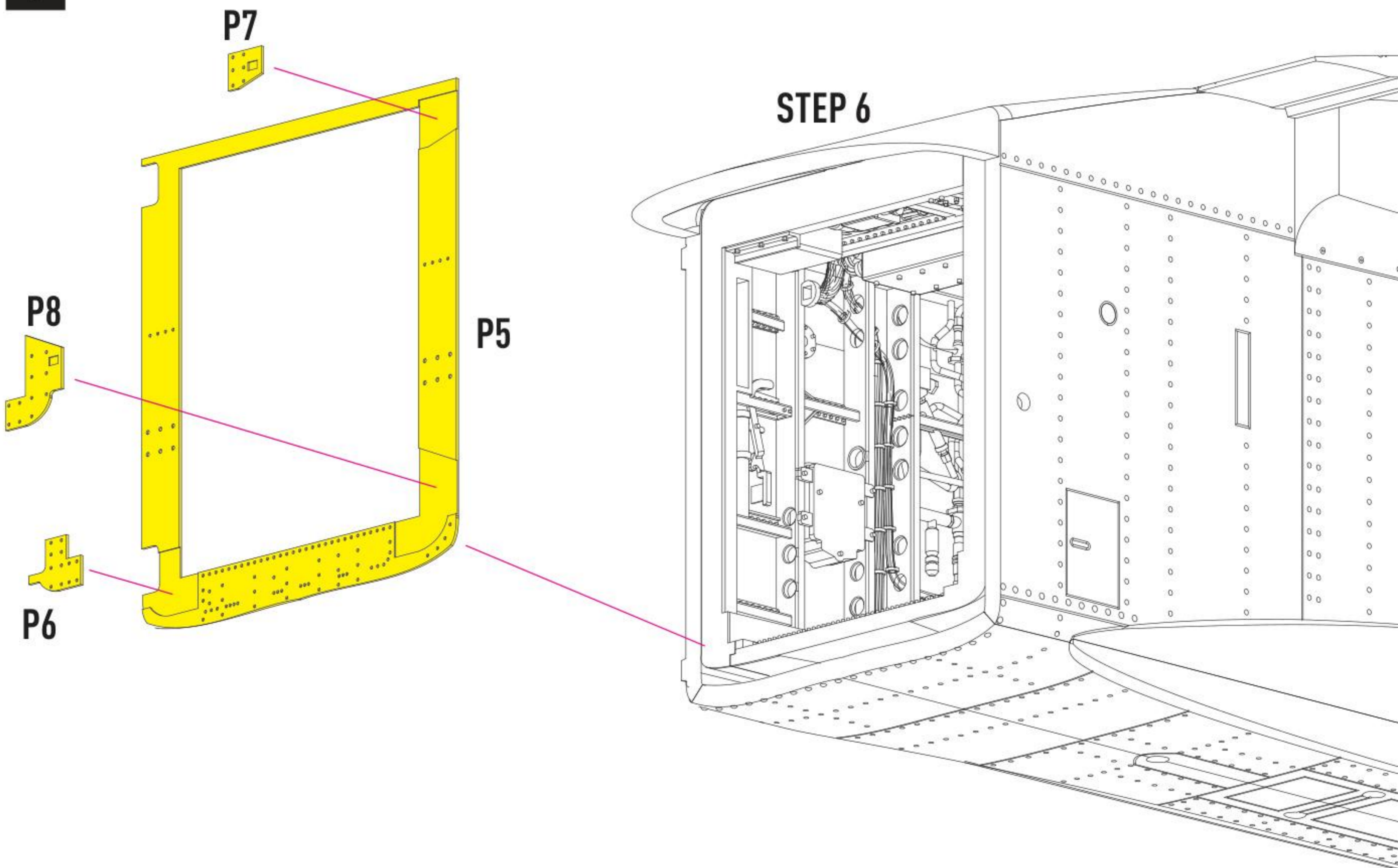
5



6

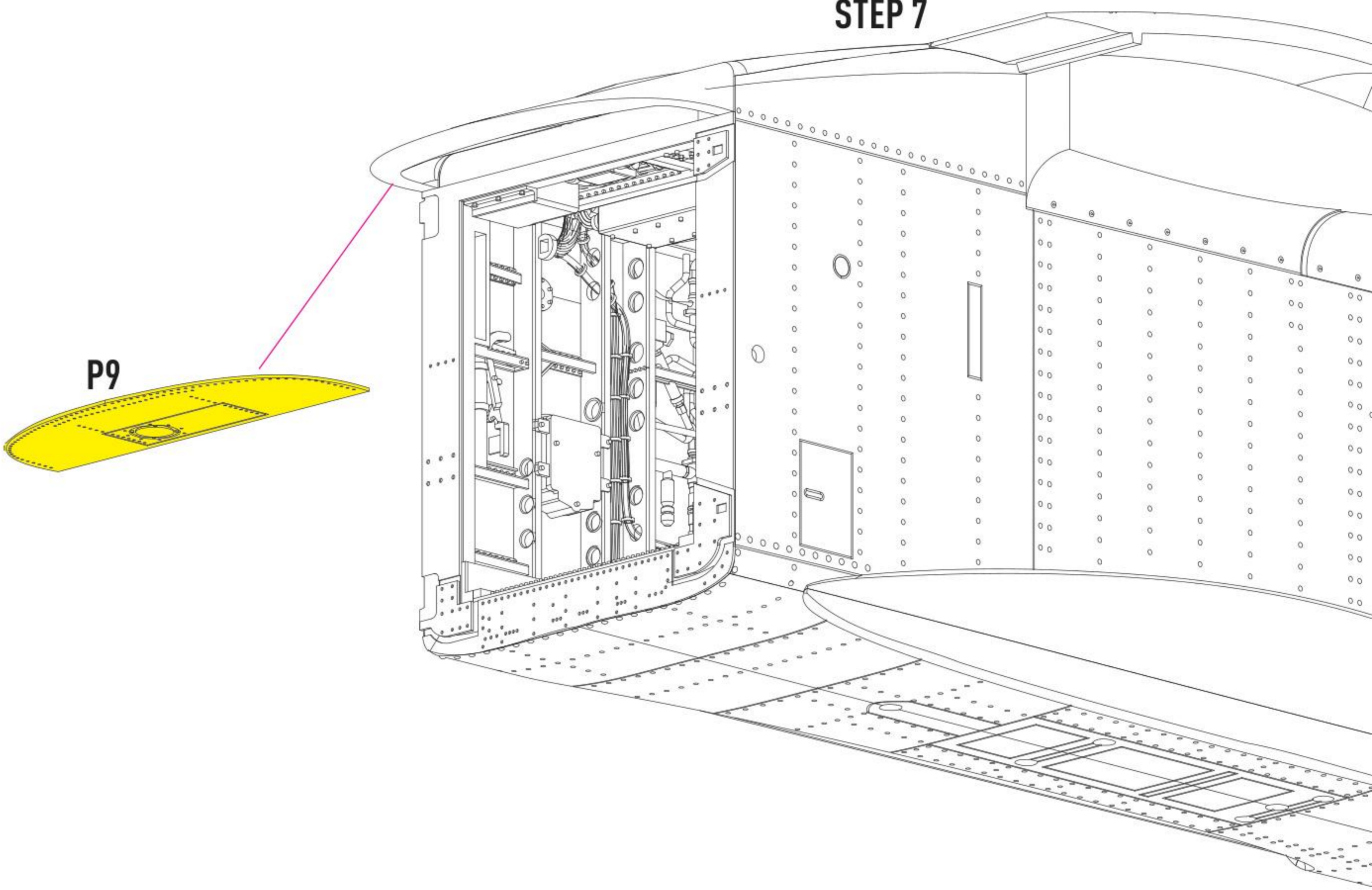


7

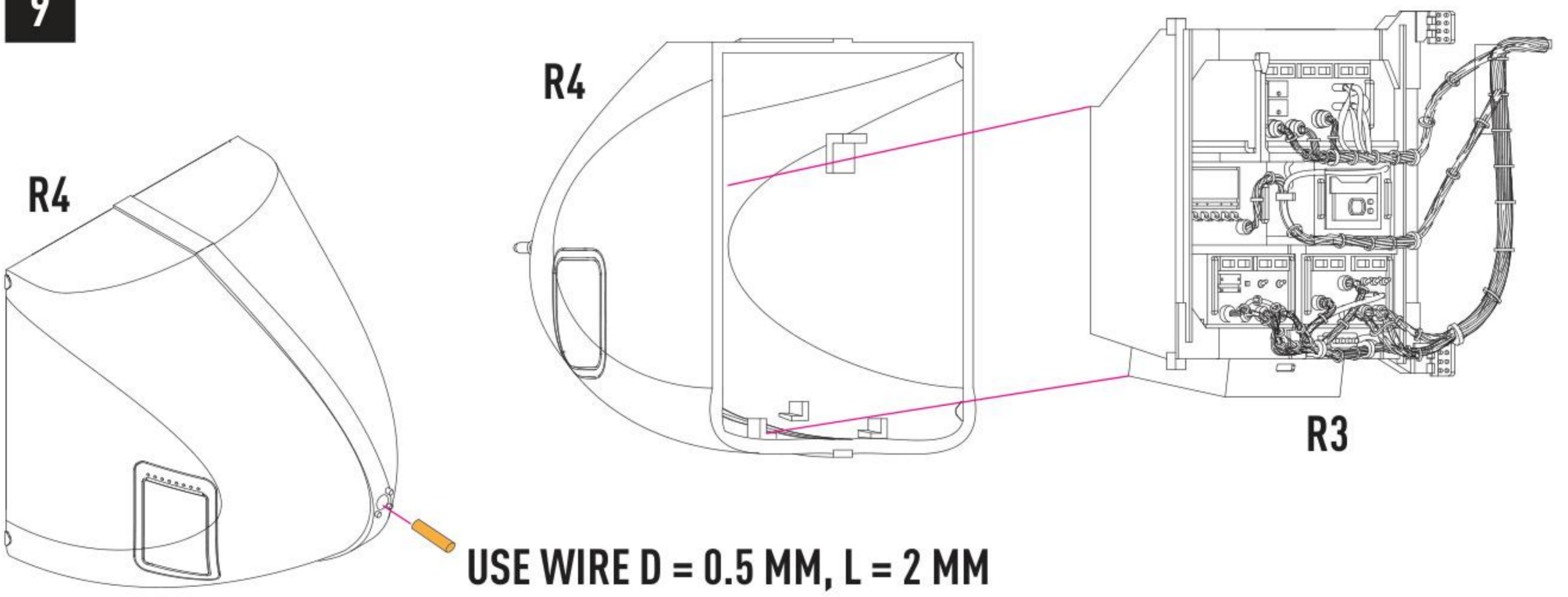


8

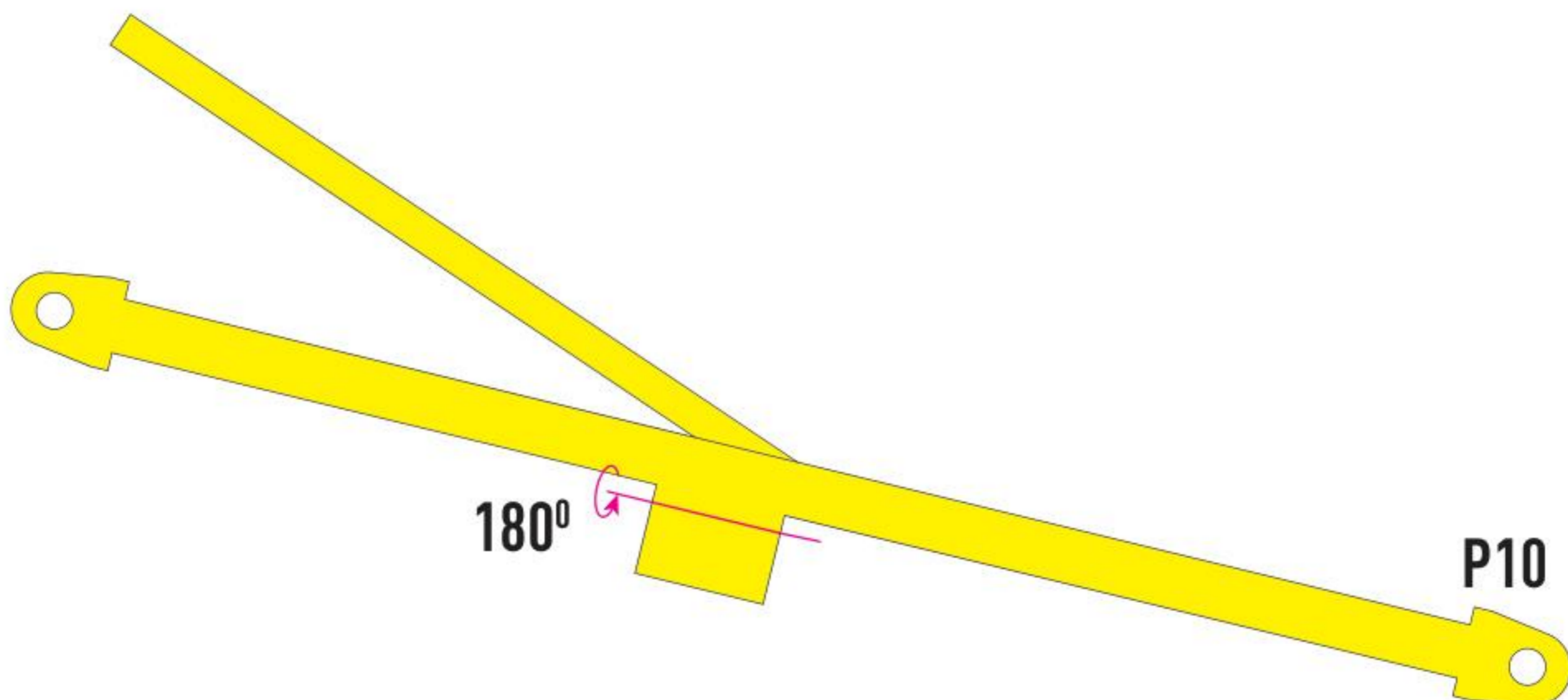
STEP 7

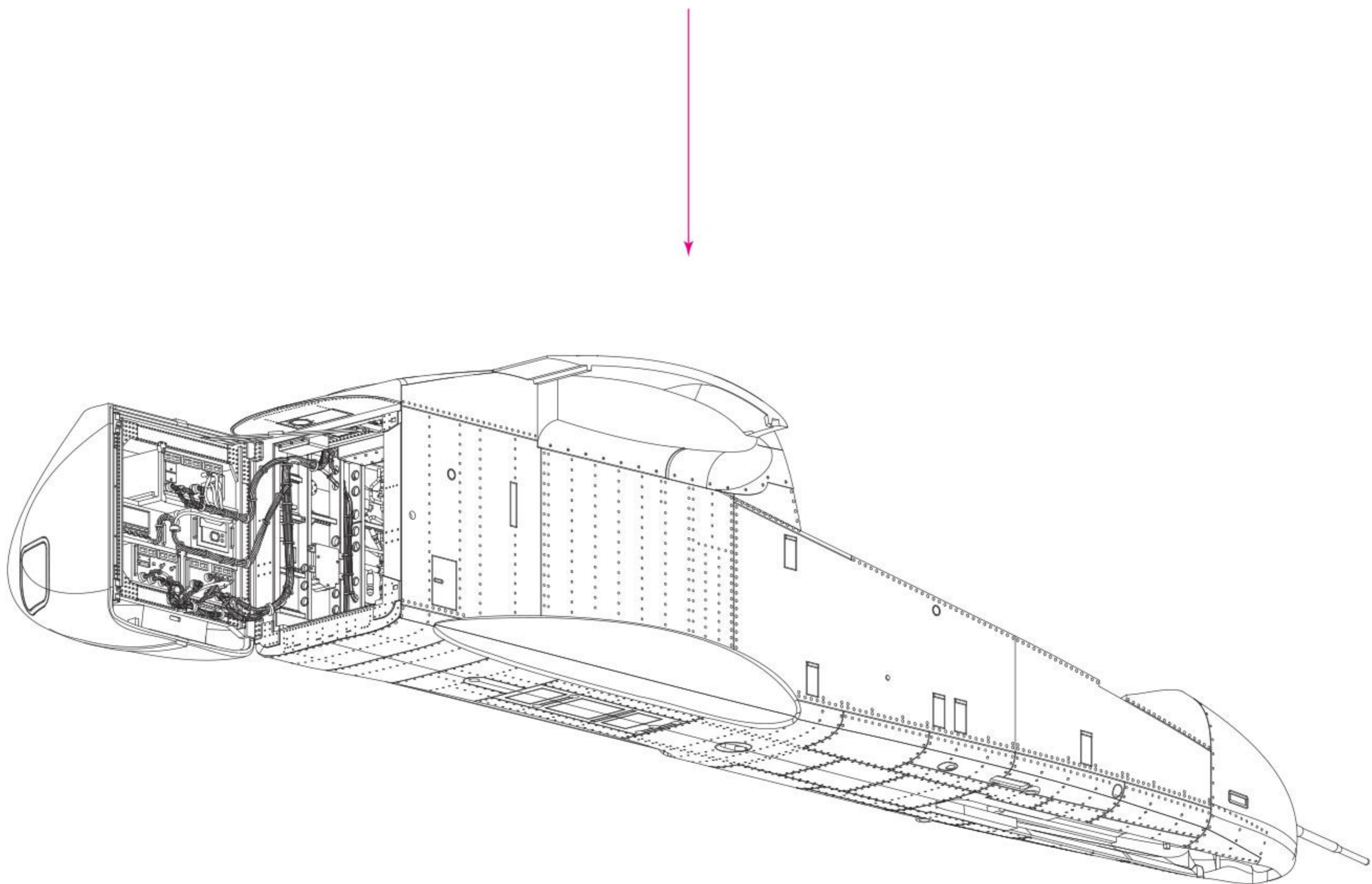
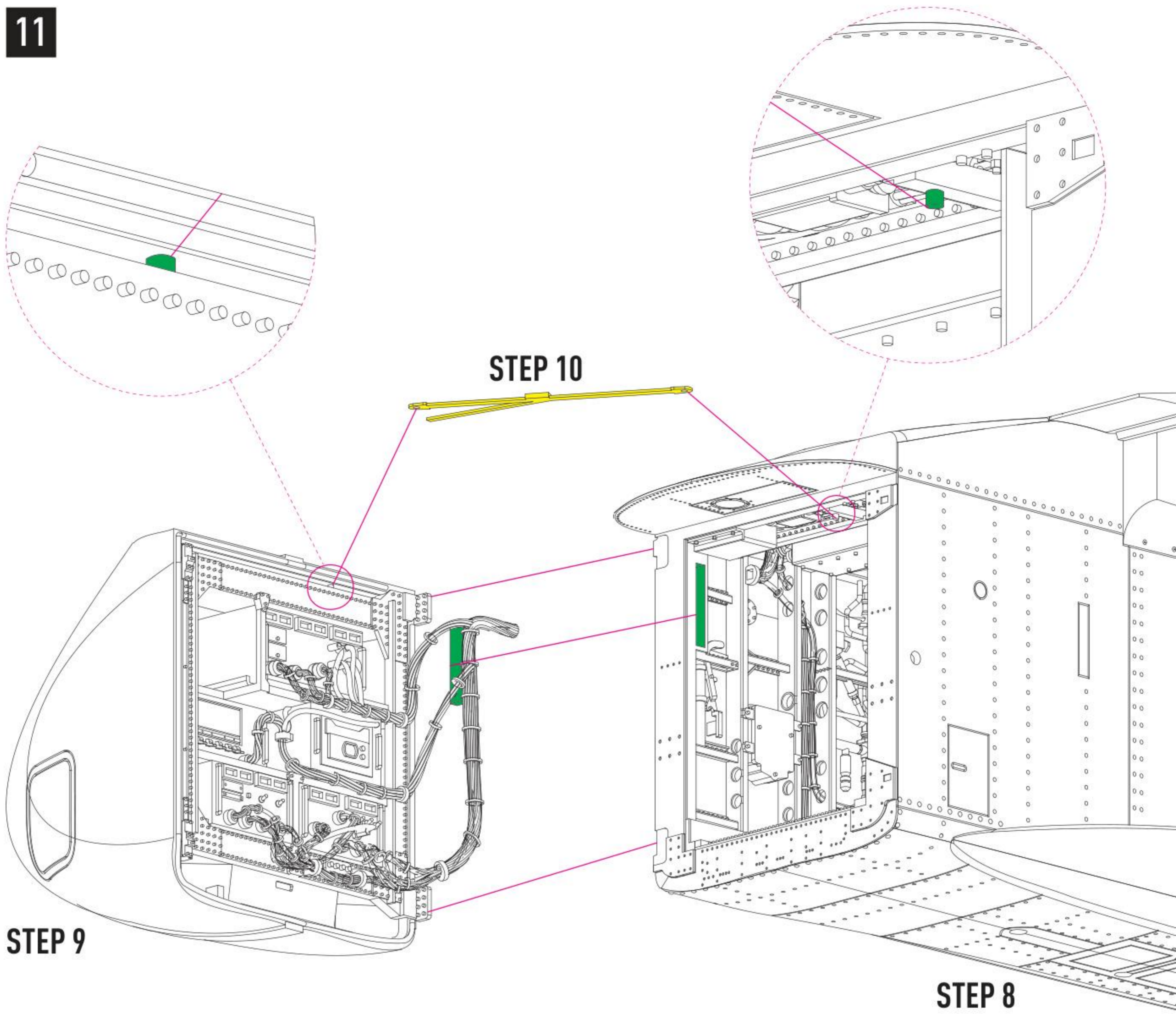


9



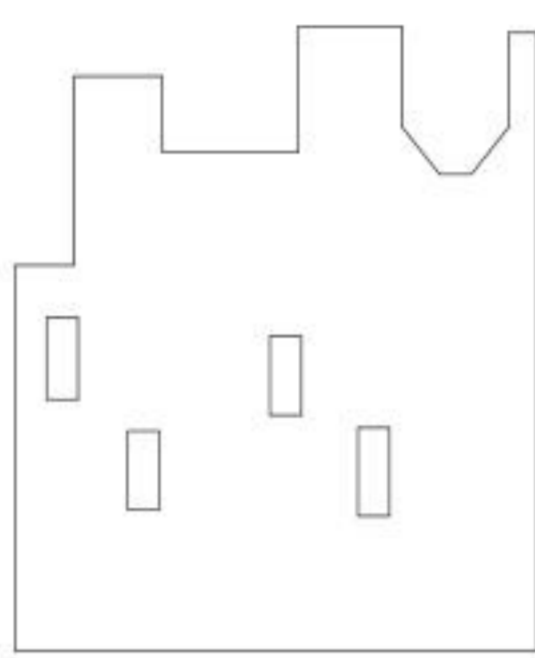
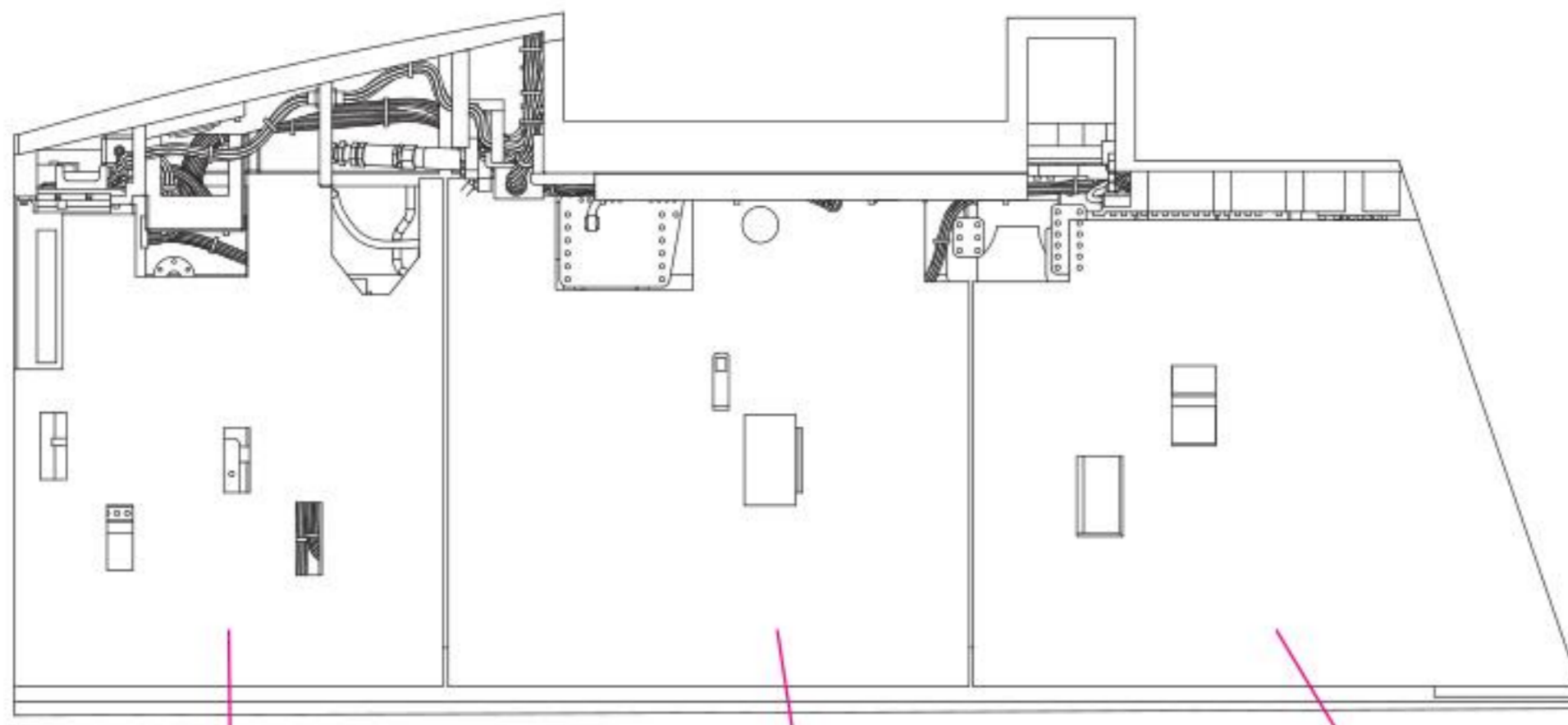
10



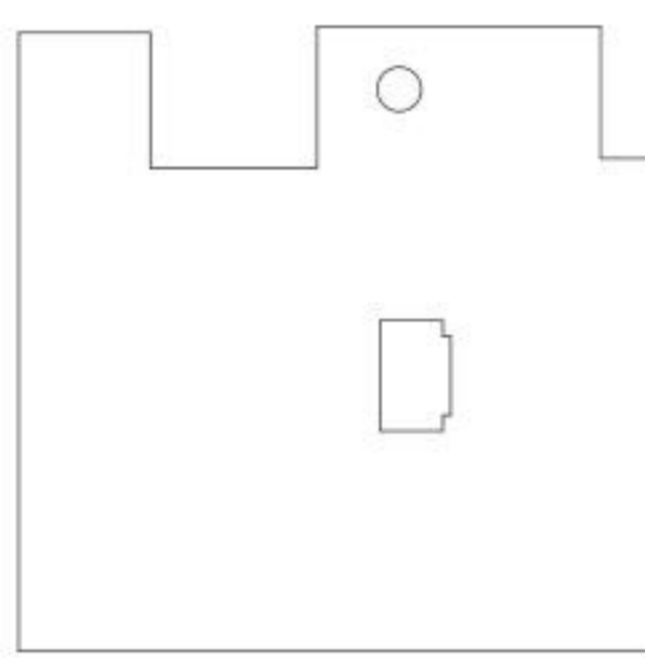


TEMPLATE FOR LINING MASKS

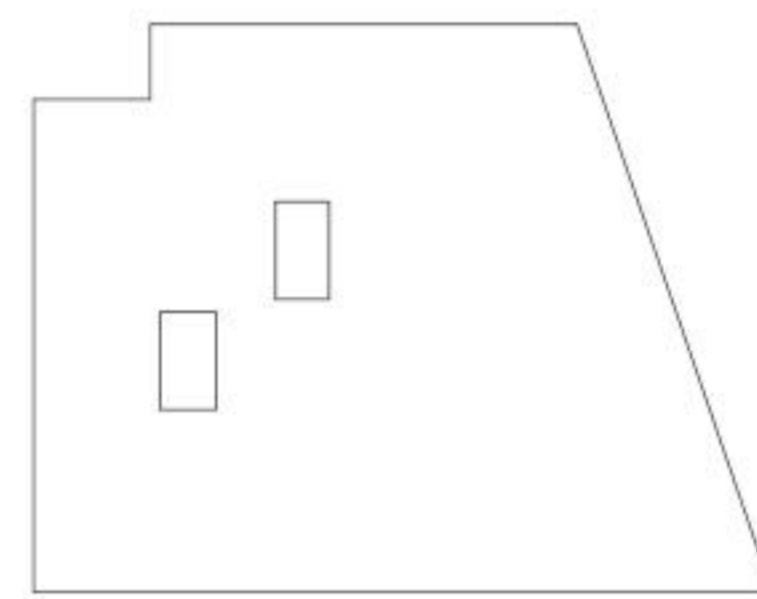
R1



01

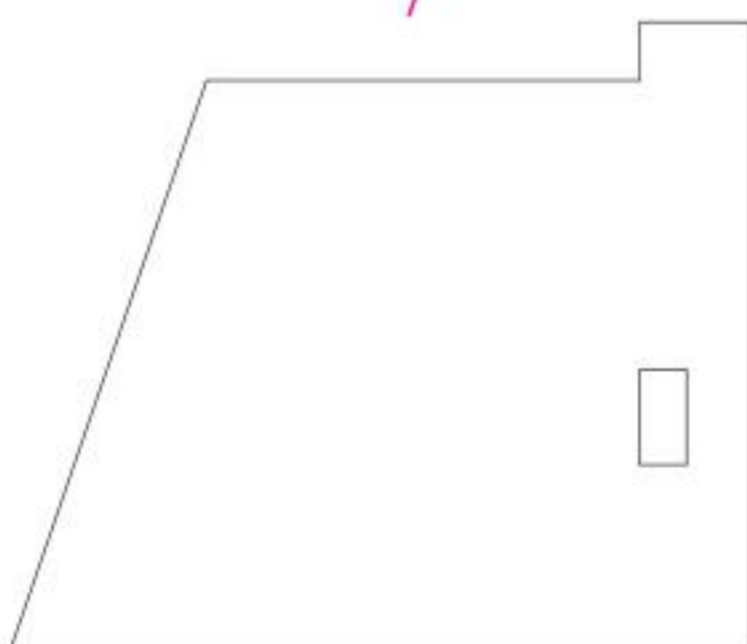
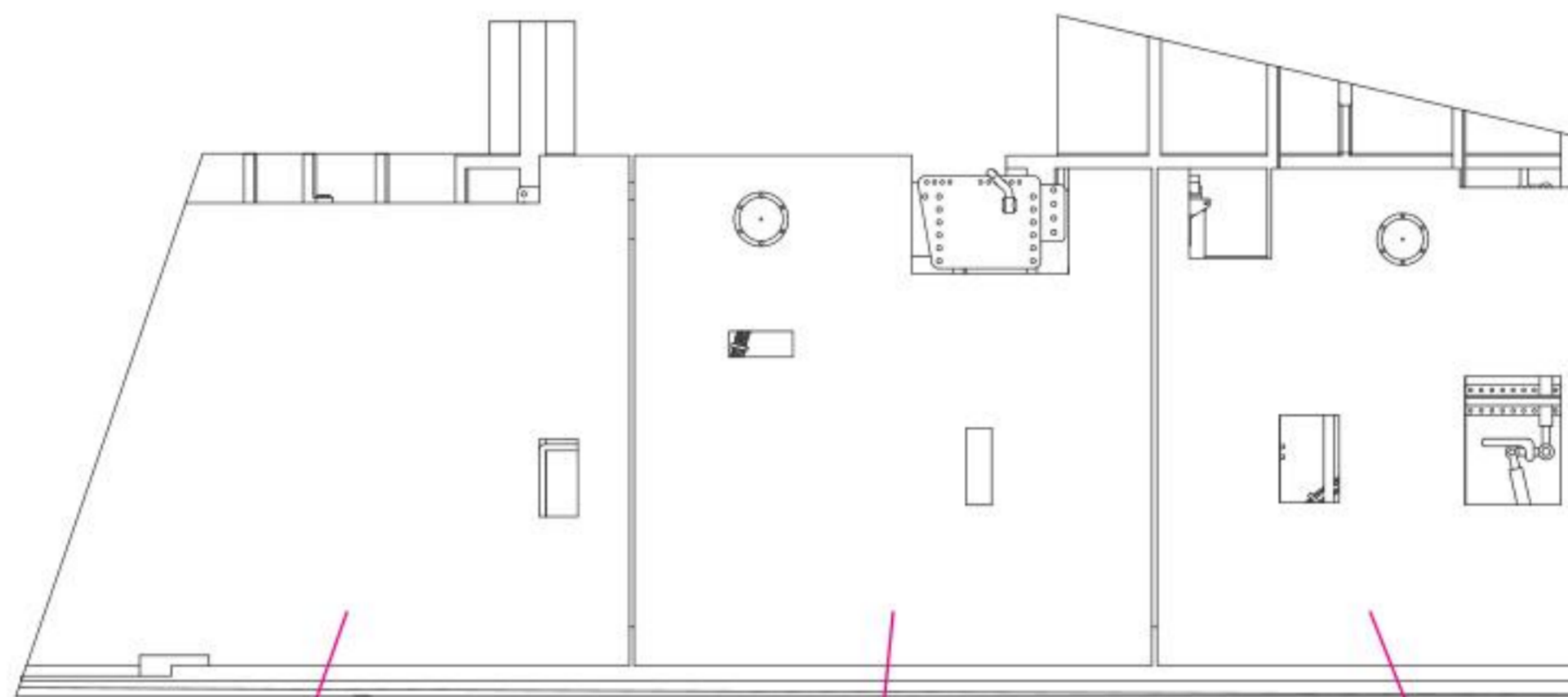


02

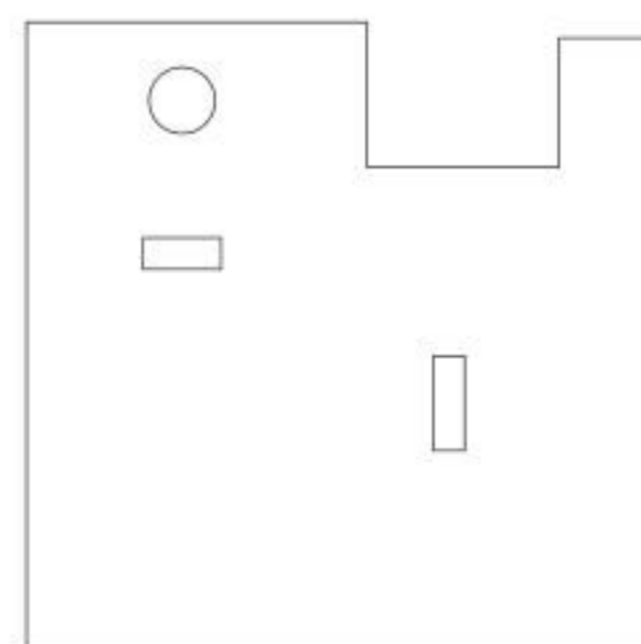


03

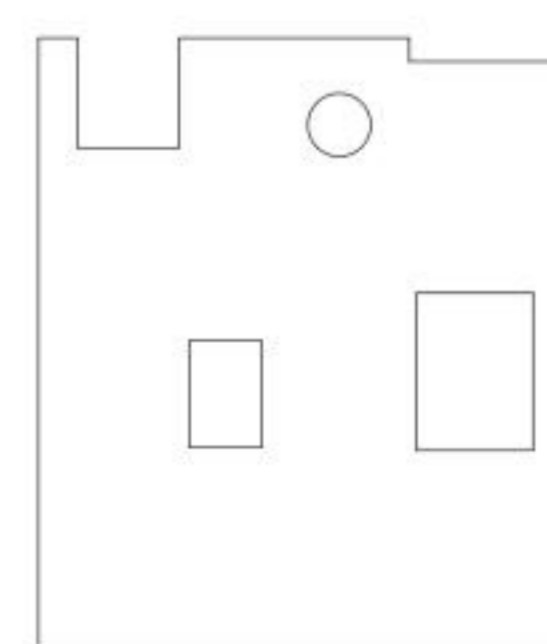
R2



04



05



06

**YOU CAN FIND INSTRUCTIONS
IN PDF FORMAT ON THE WEBSITE**

RESKIT-MODELS.COM

General Issues: info@reskit.com.ua

Wholesales: sales@reskit.com.ua

Claim Resolution: claims@reskit.com.ua