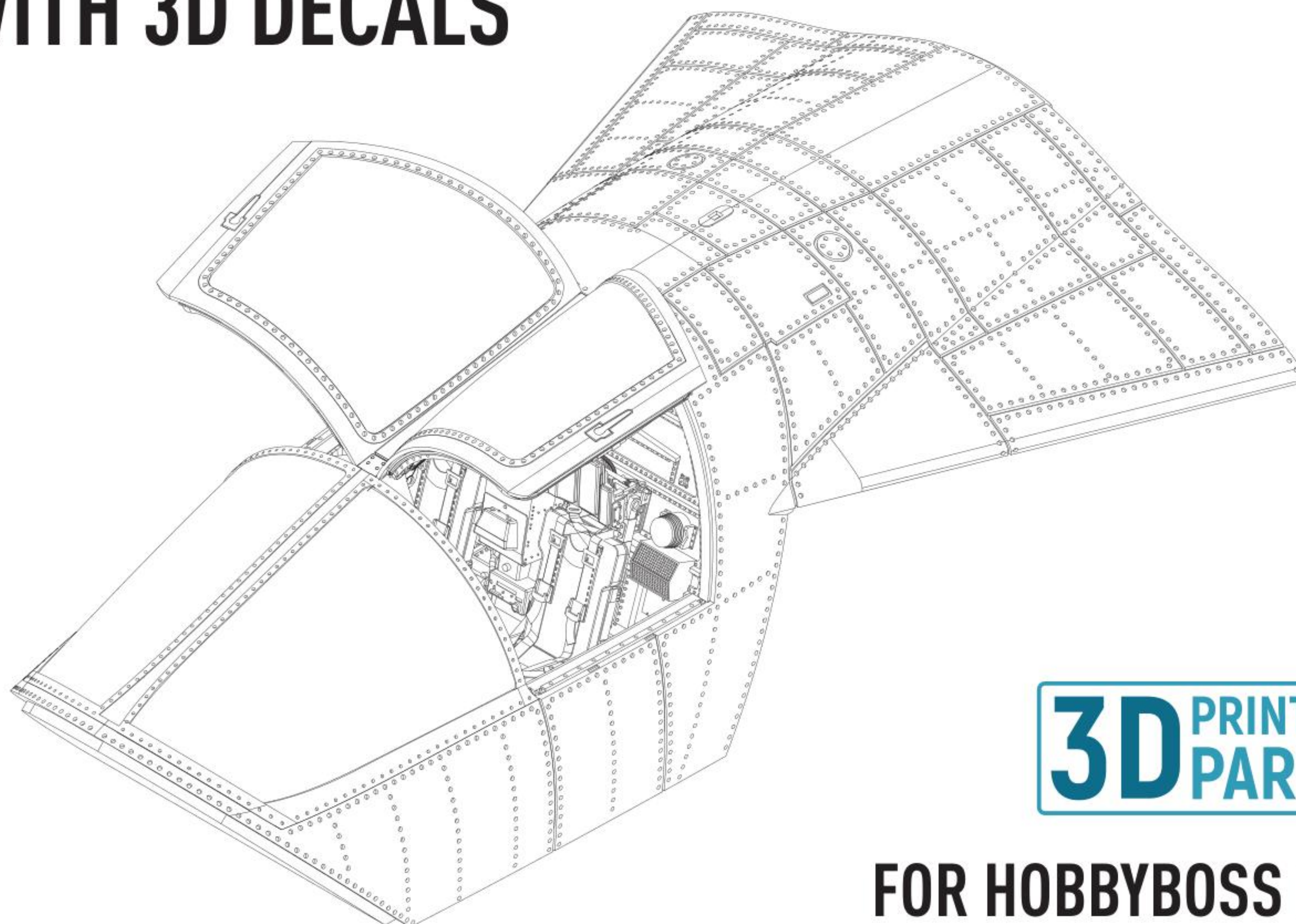




YOU CAN FIND INSTRUCTIONS  
IN PDF FORMAT ON THE WEBSITE

INSTRUCTION **RSU48-0170**

# EF-111 COCKPIT WITH 3D DECALS

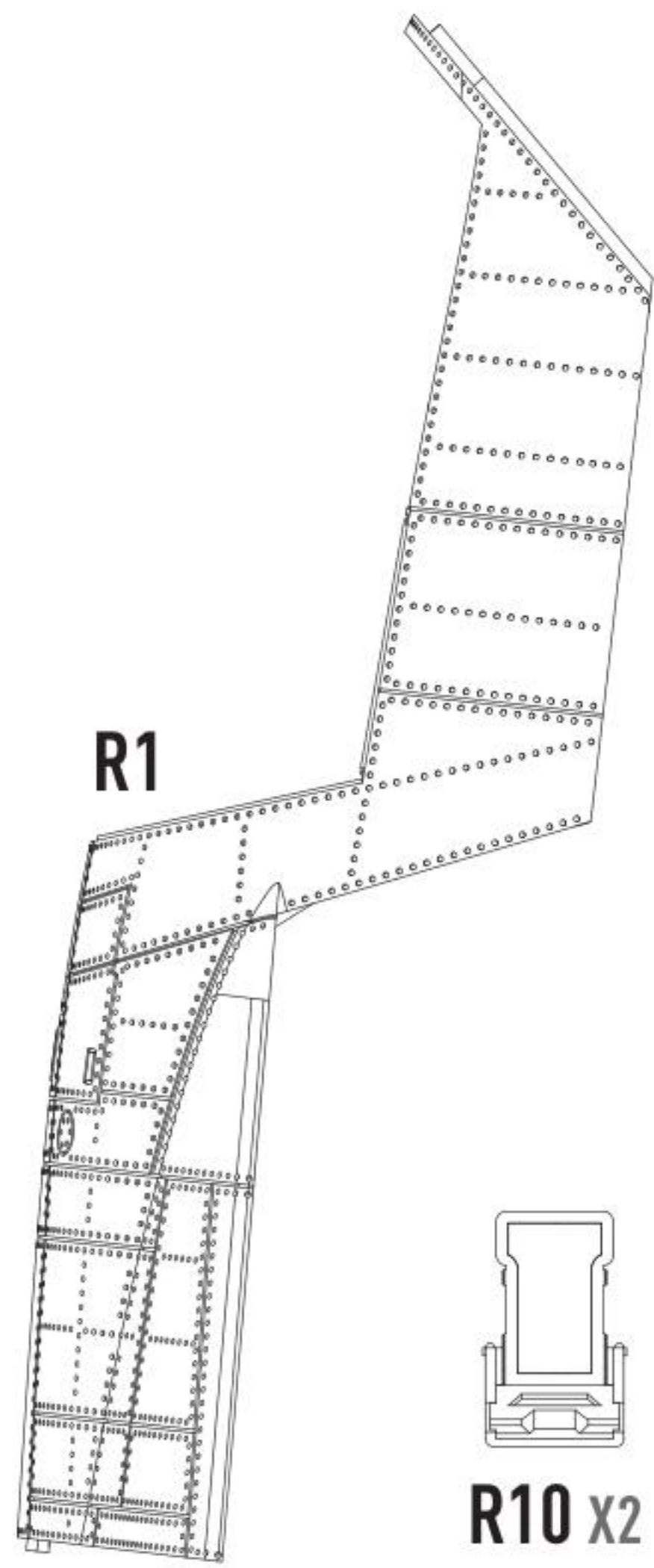


**3D** PRINTED  
PARTS

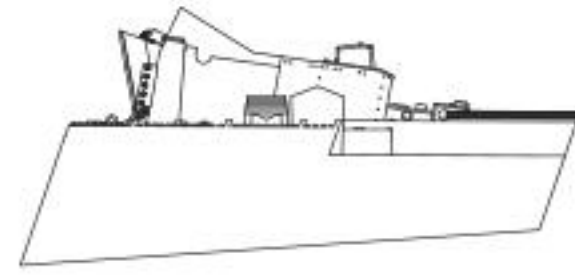
**FOR HOBBYBOSS KIT**



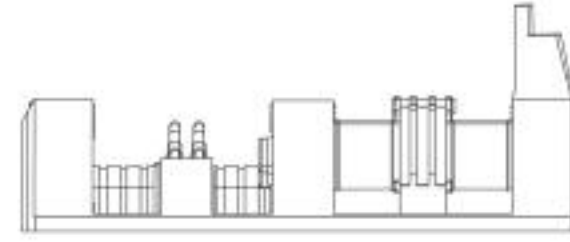
USE A SAW TO REMOVE SUPPORTS  
FROM 3D PRINTED PARTS



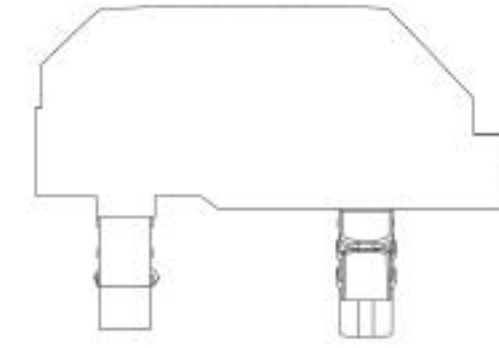
**R1**



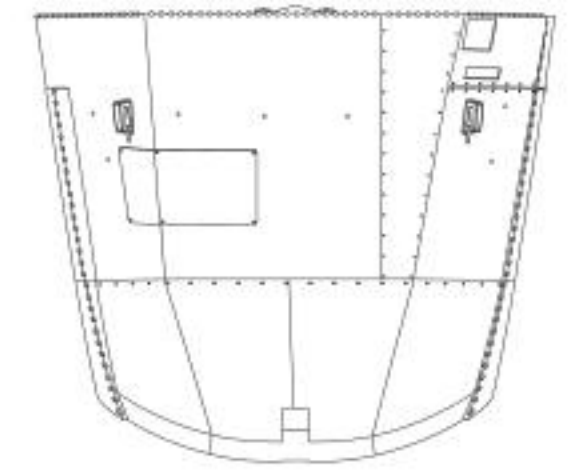
**R2**



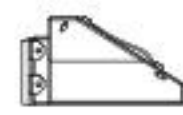
**R3\***



**R4**



**R5**



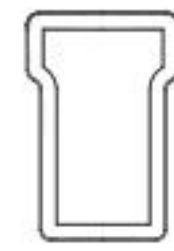
**R6**



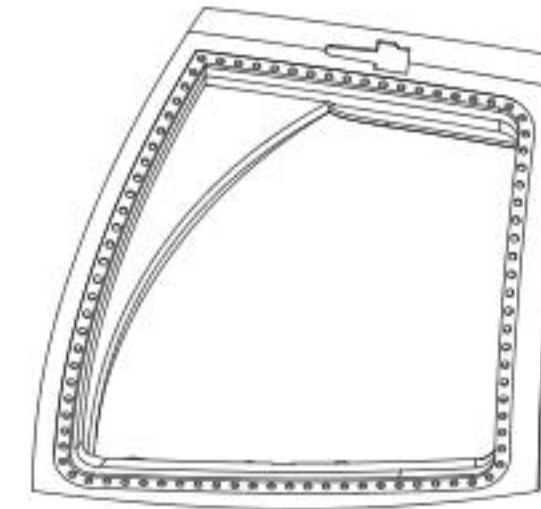
**R7**



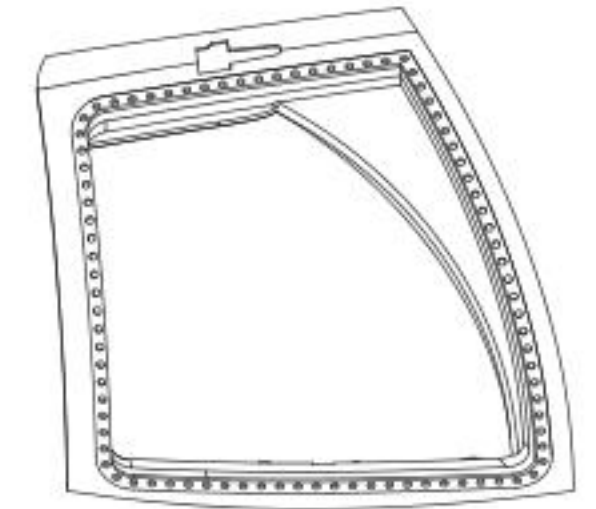
**R8 X2**



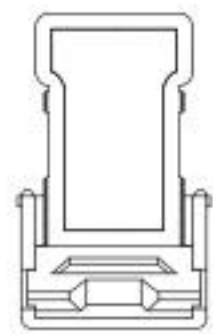
**R9 X2**



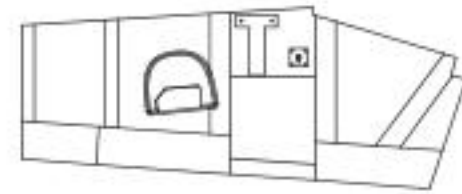
**R30**



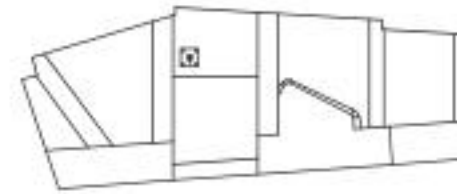
**R31**



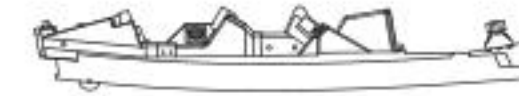
**R10 X2**



**R11**



**R12**



**R28**



**R29**



**R21 X2**



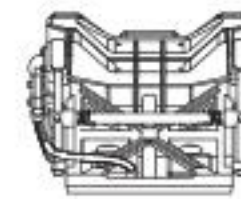
**R22 X2**



**R23 X3**



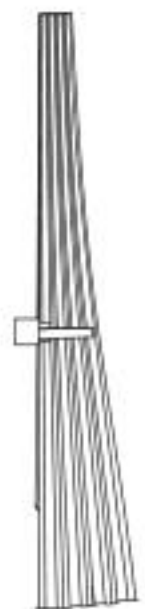
**R25**



**R26 X2**



**R27**



**R13**



**R14**



**R15**



**R16**



**R17**



**R18**



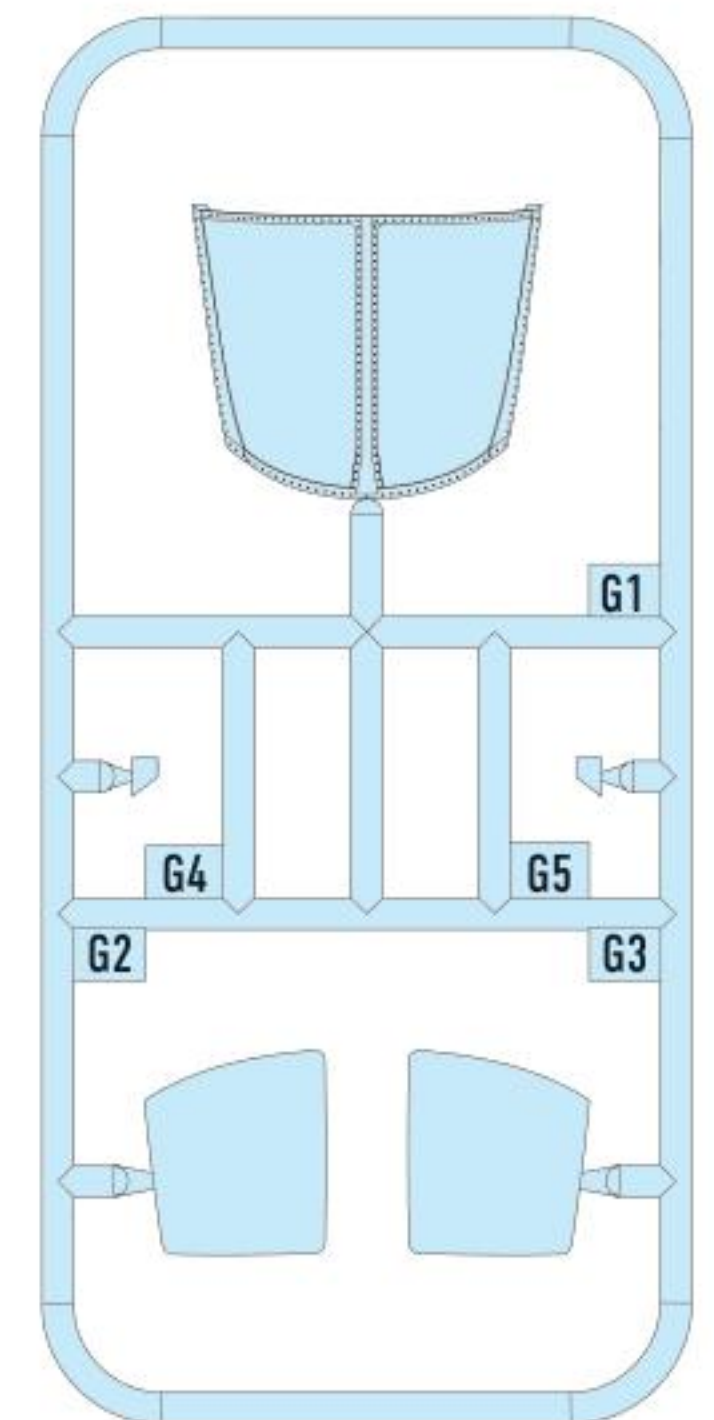
**R19**



**R20**

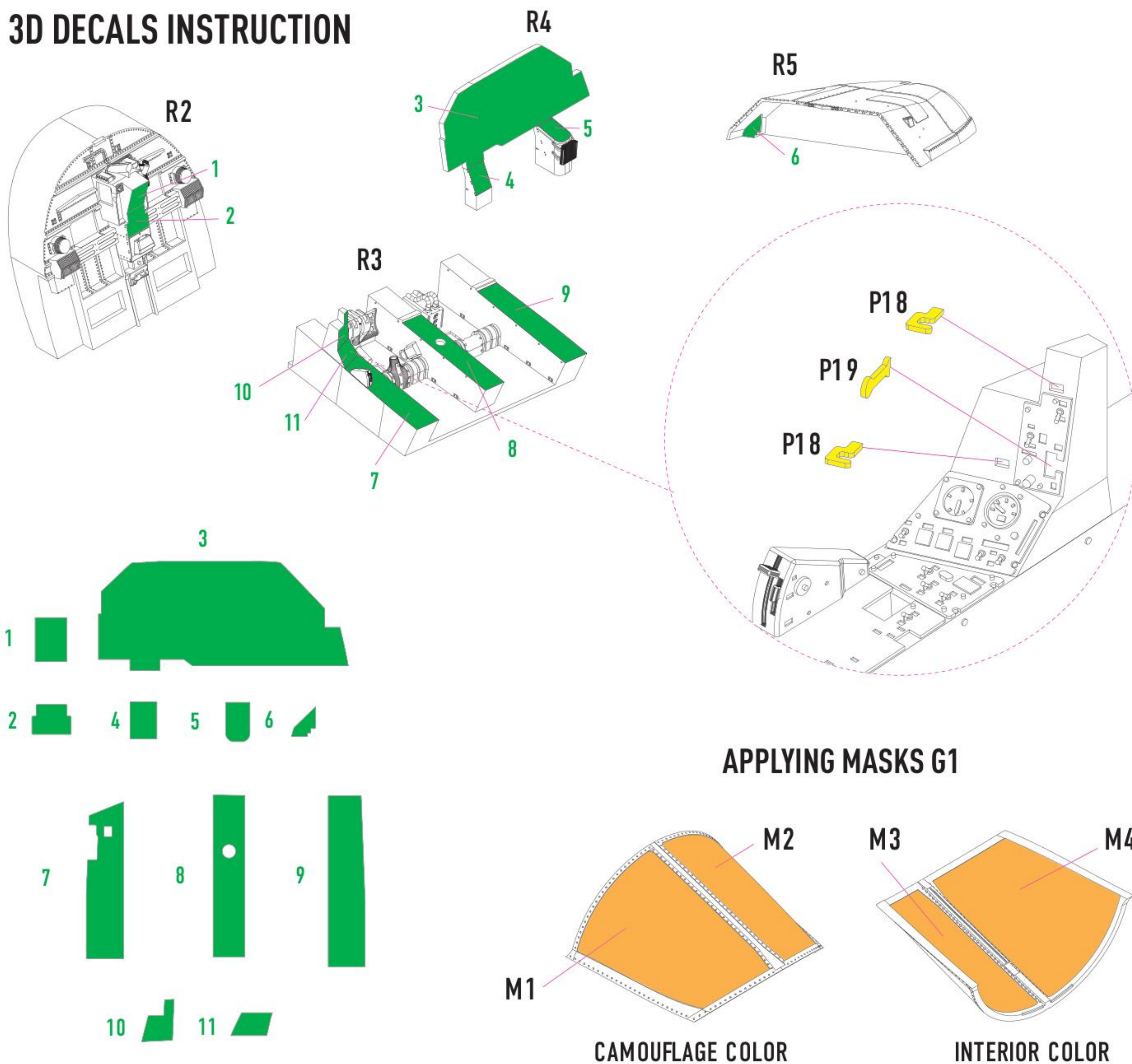


**R24**

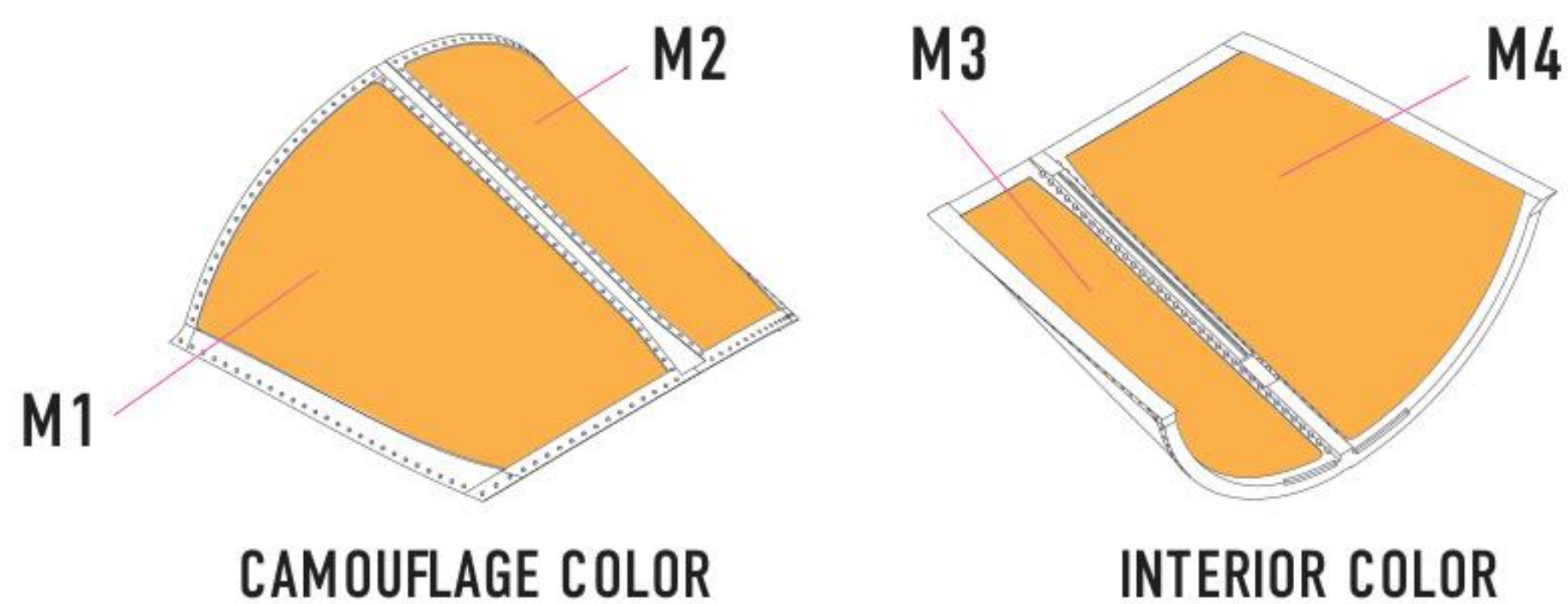


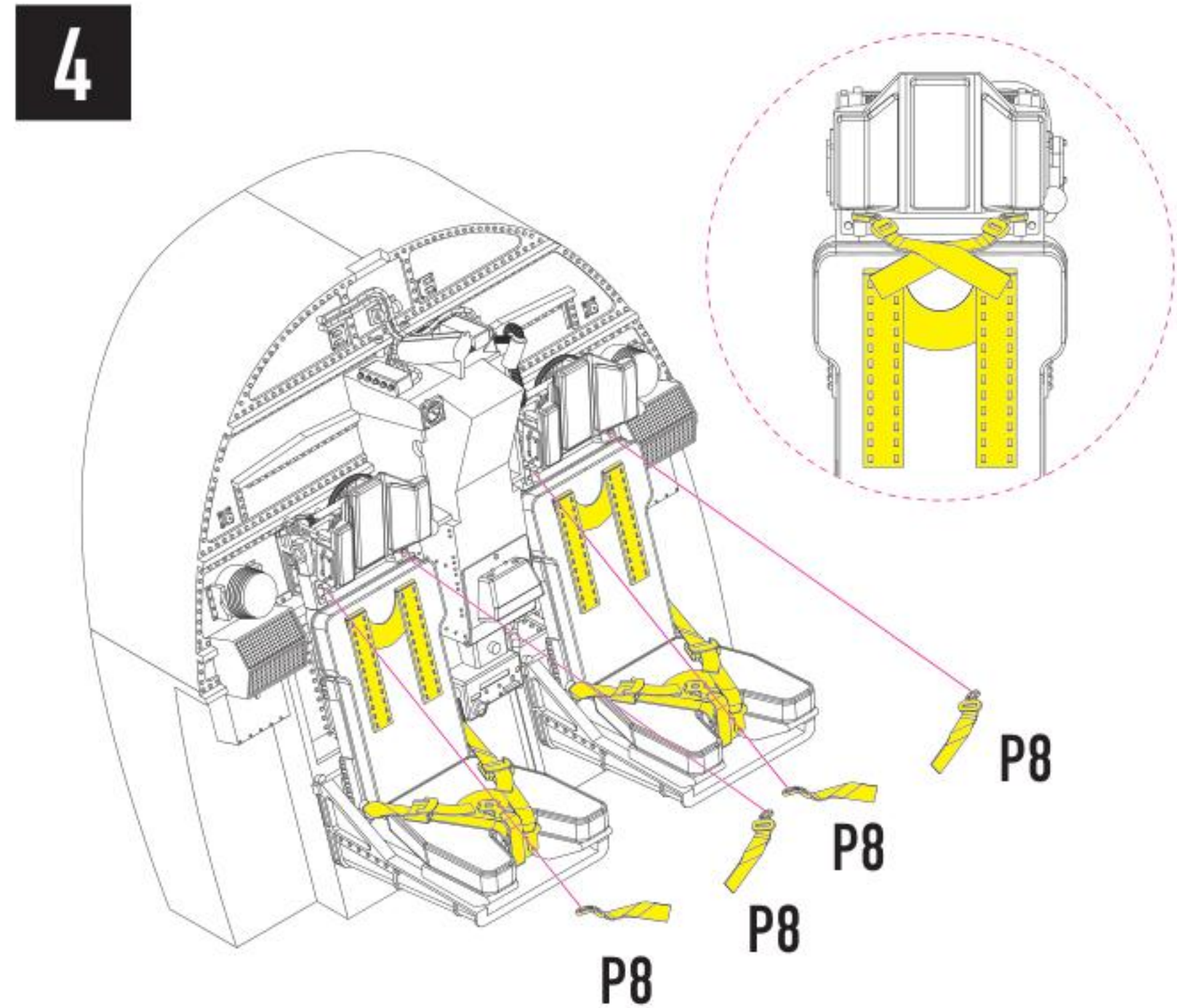
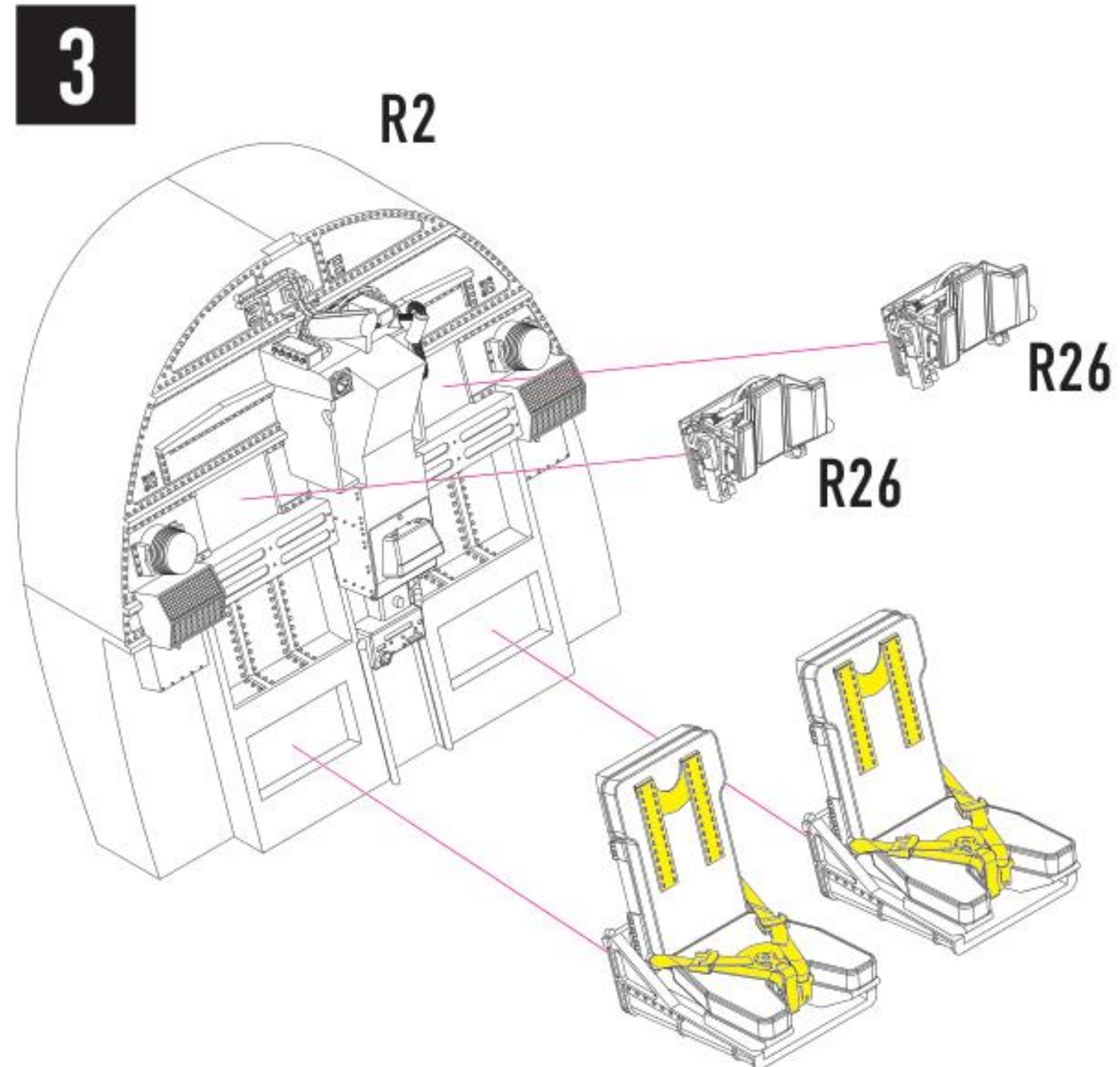
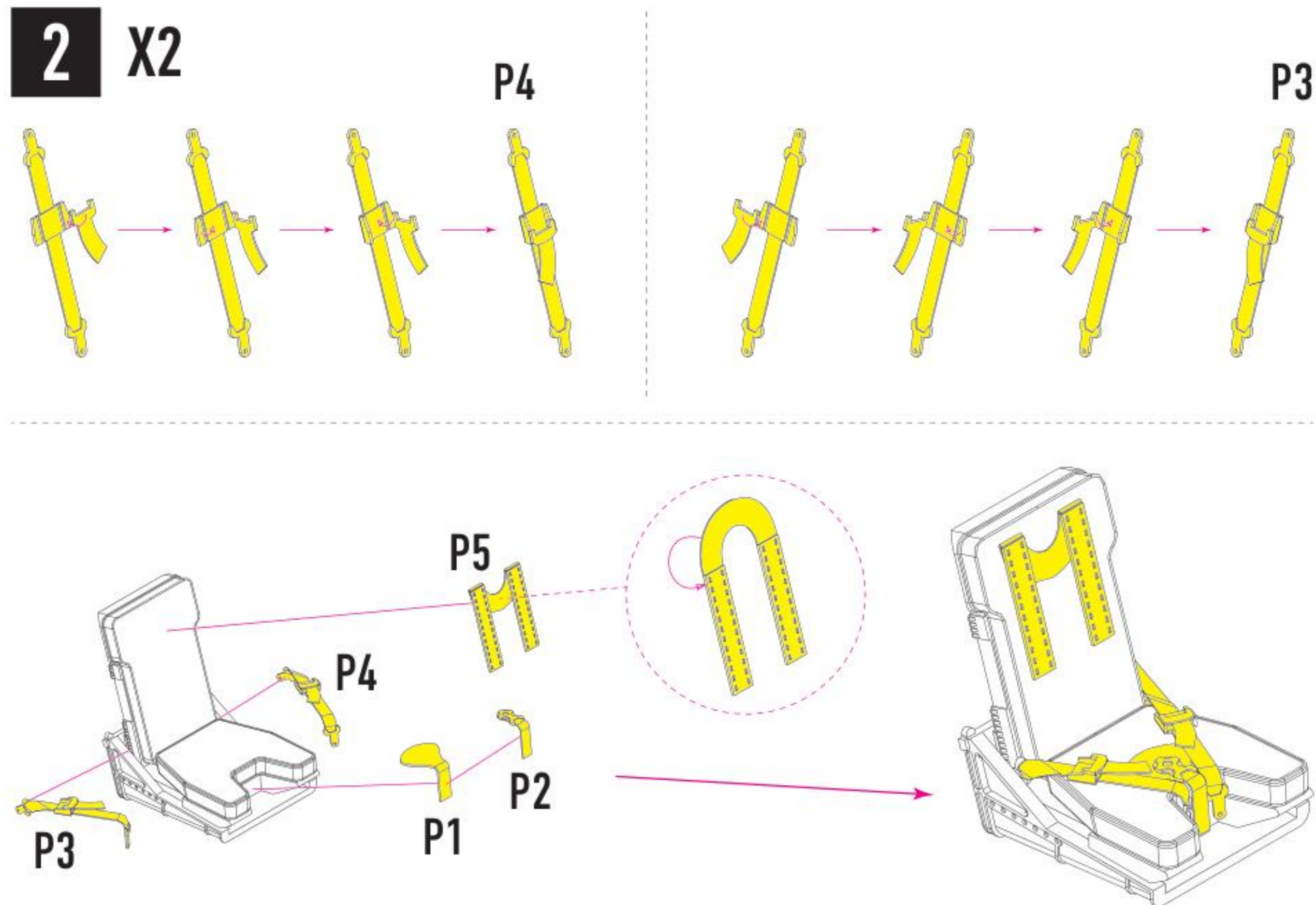
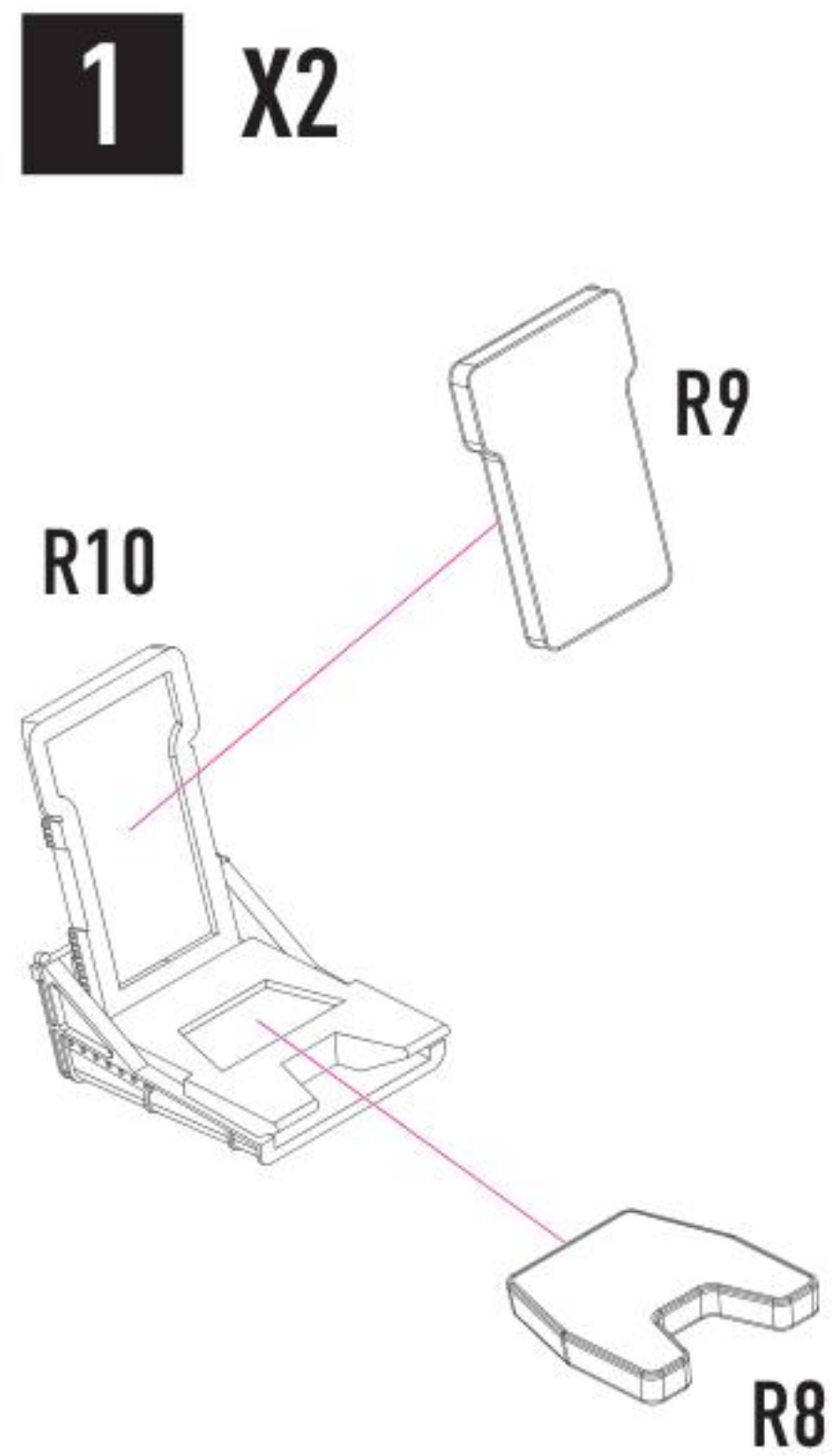
\* AFTER REMOVING THE STAND FROM THE PART R3, SHARPEN THE PART AT THE ANCHOR POINT TO A THICKNESS OF 0.5 MM.  
YOU ALSO NEED TO SHARPEN THE PART A17 FROM THE HOBBYBOSS SET

# 3D DECALS INSTRUCTION

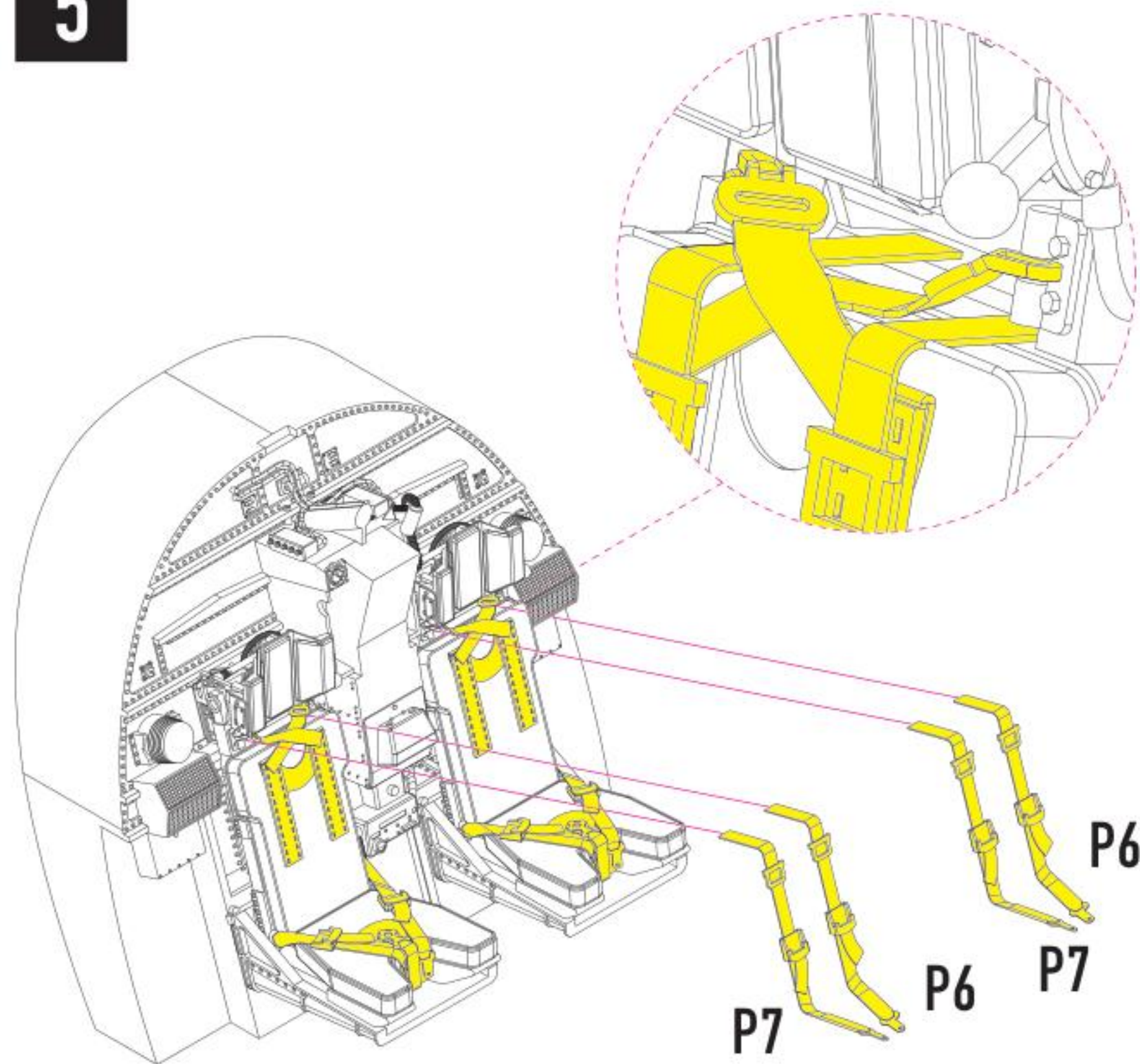


## APPLYING MASKS G1

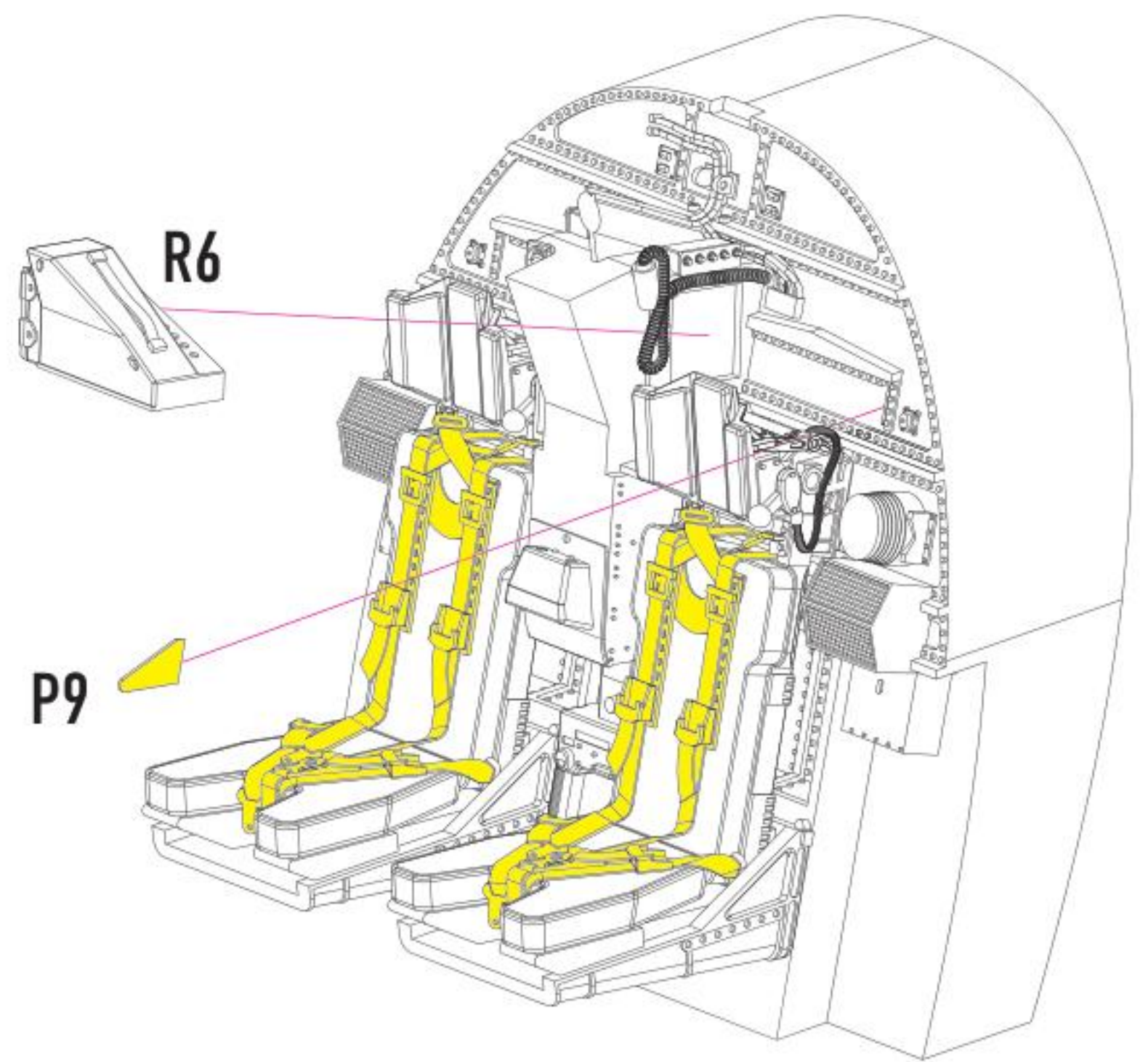




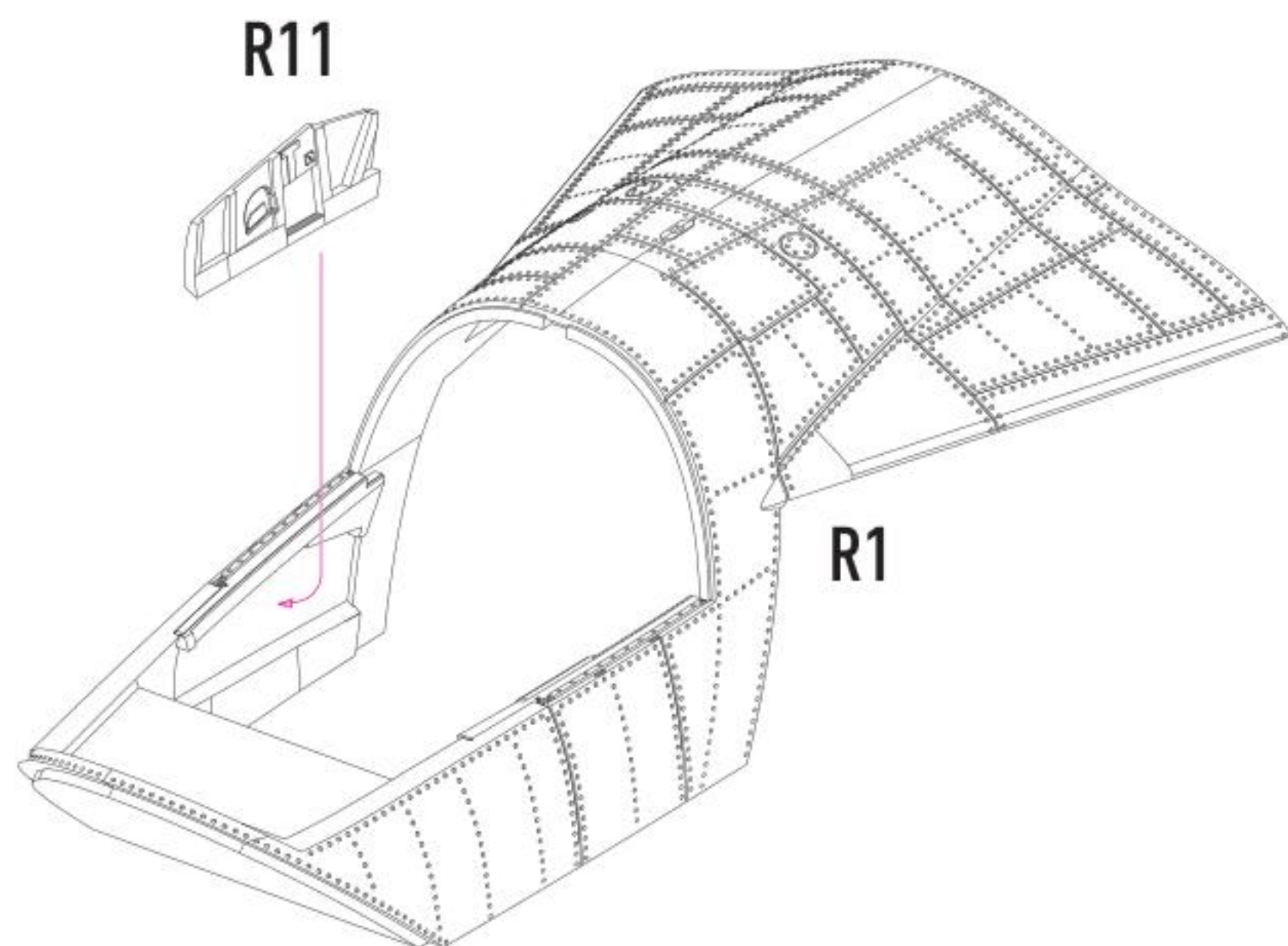
5



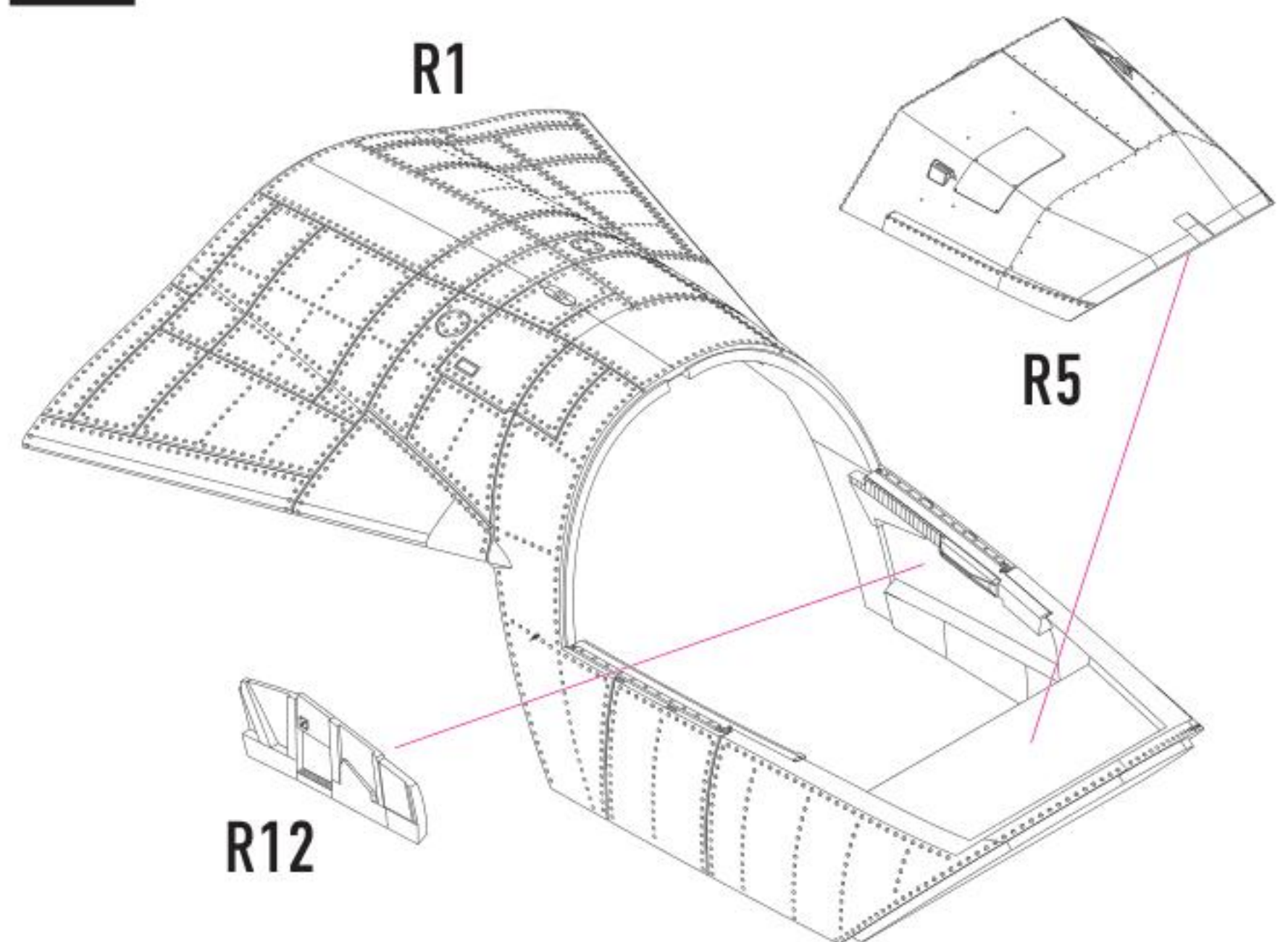
6



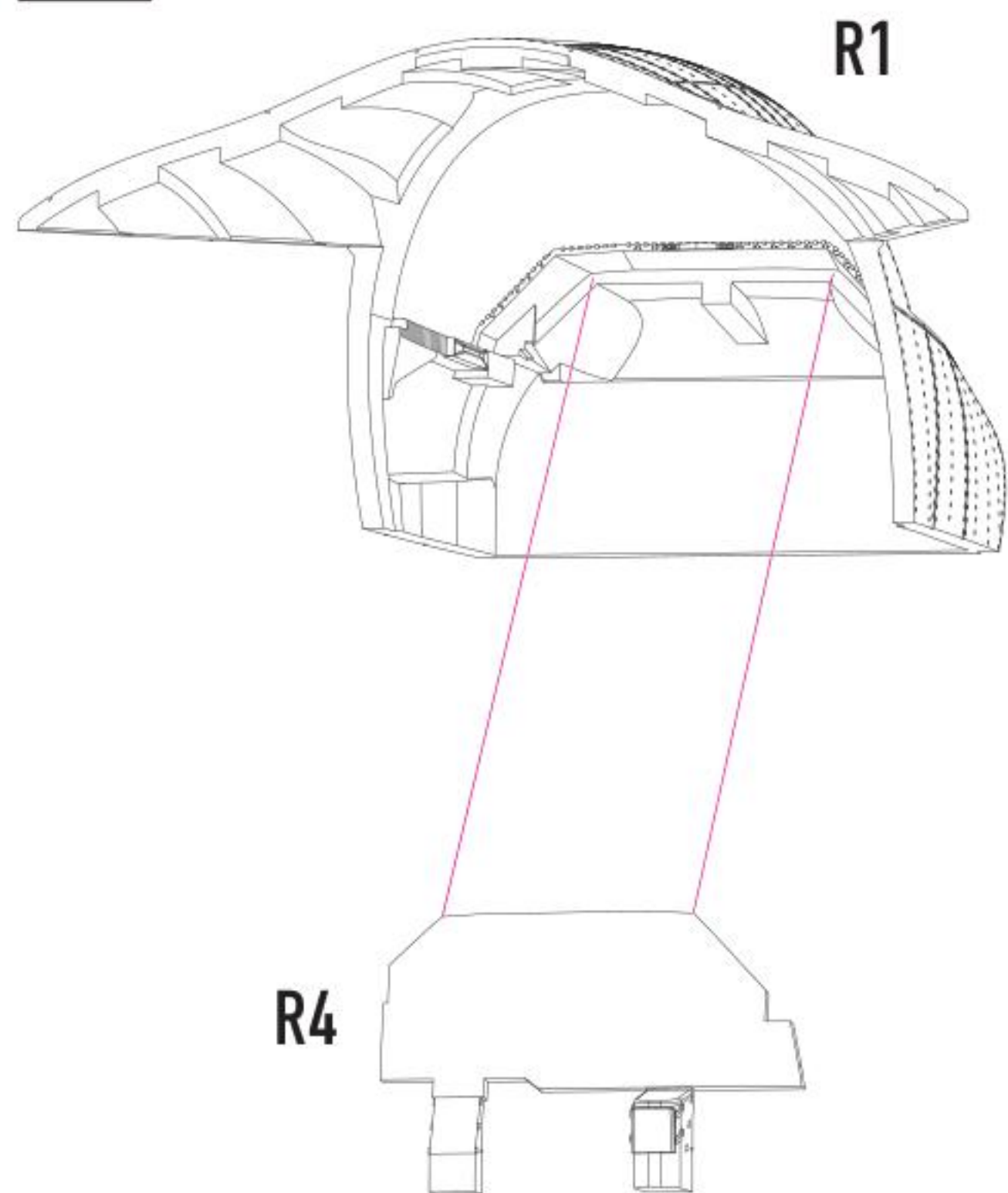
7



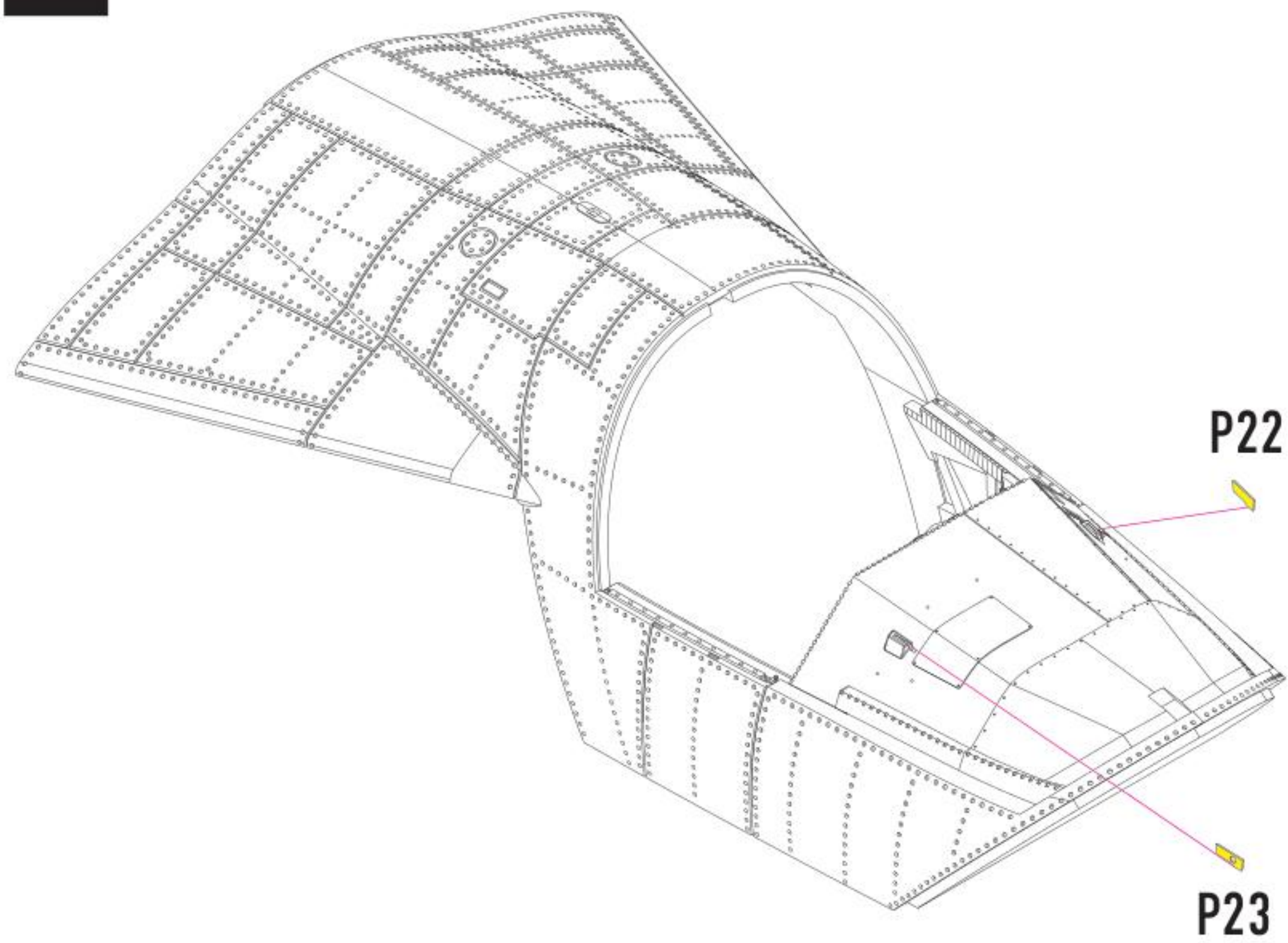
8



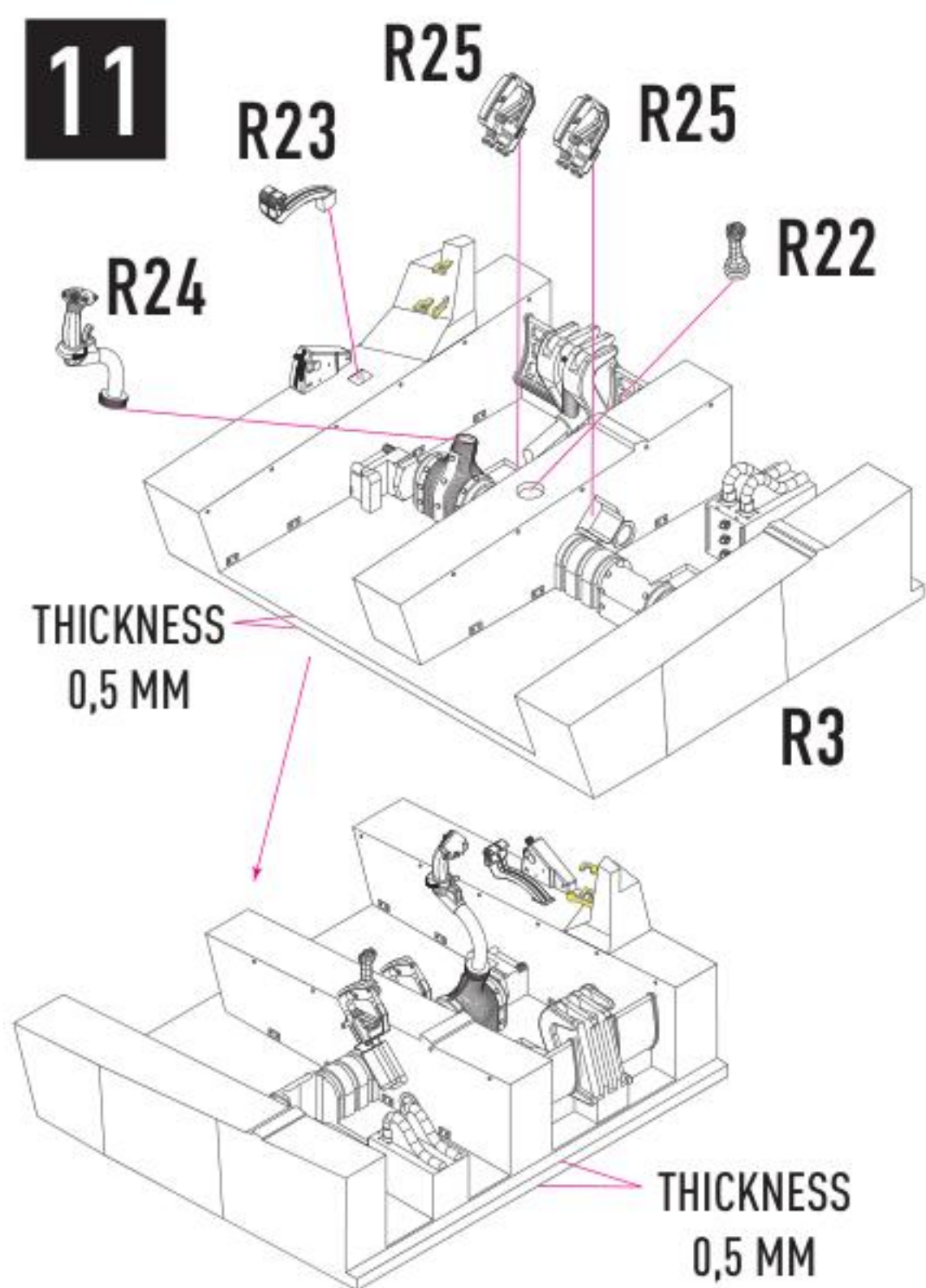
9



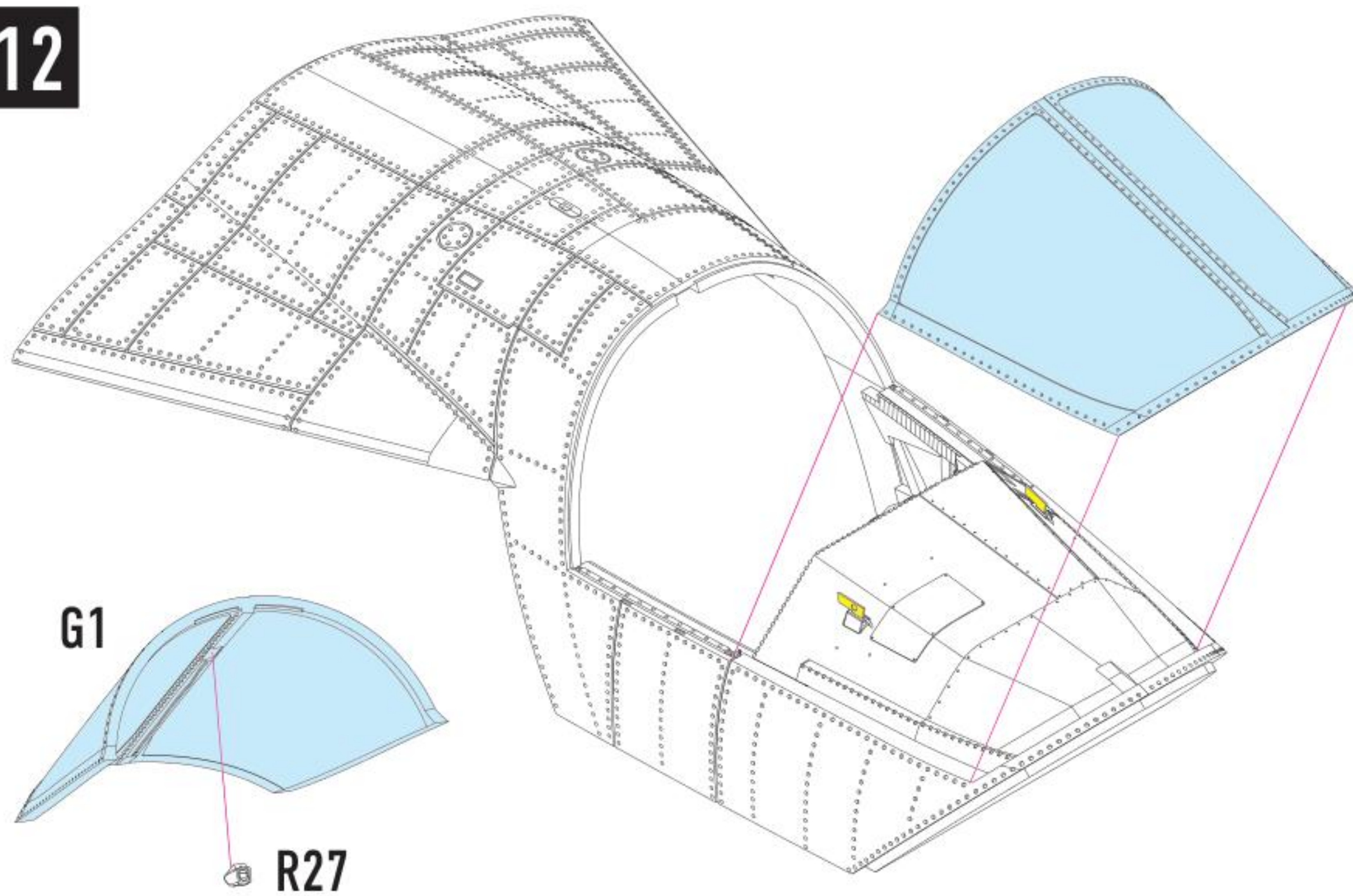
10



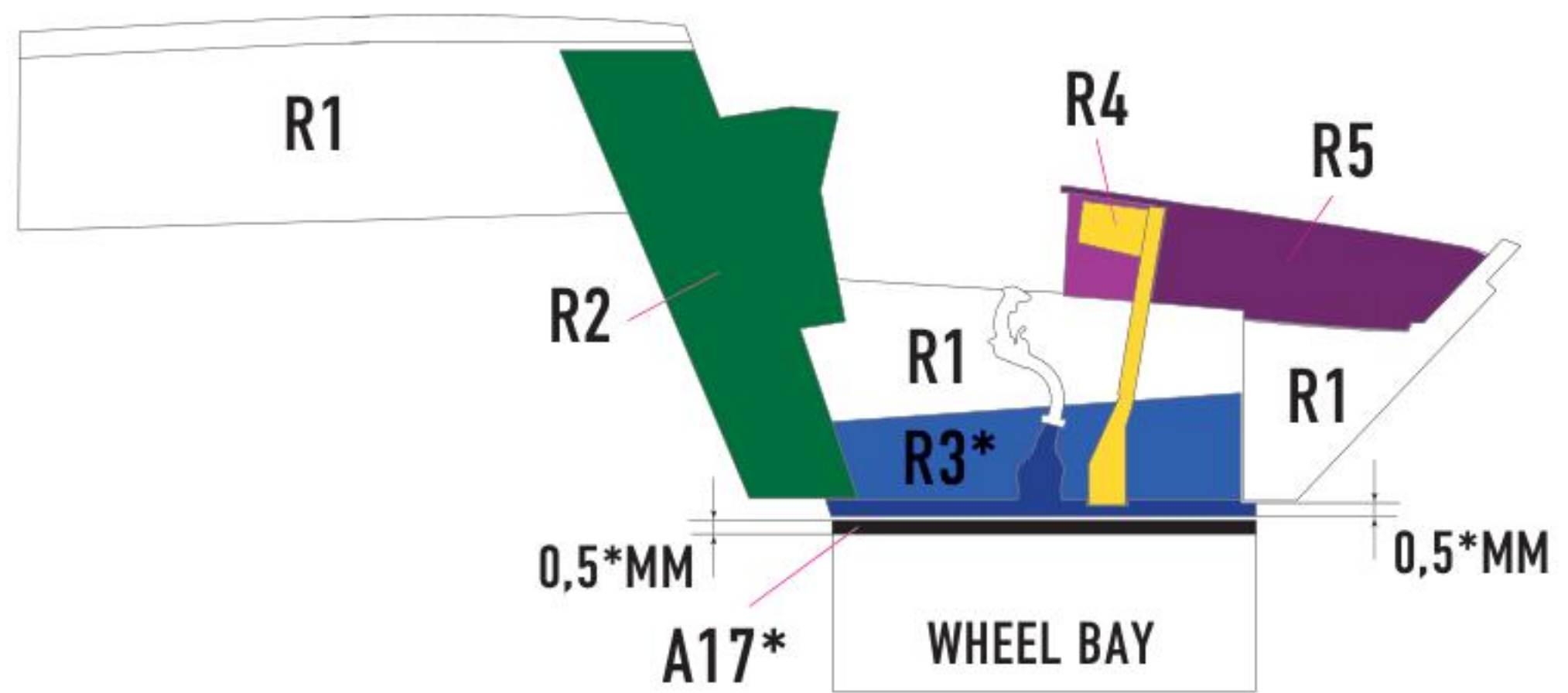
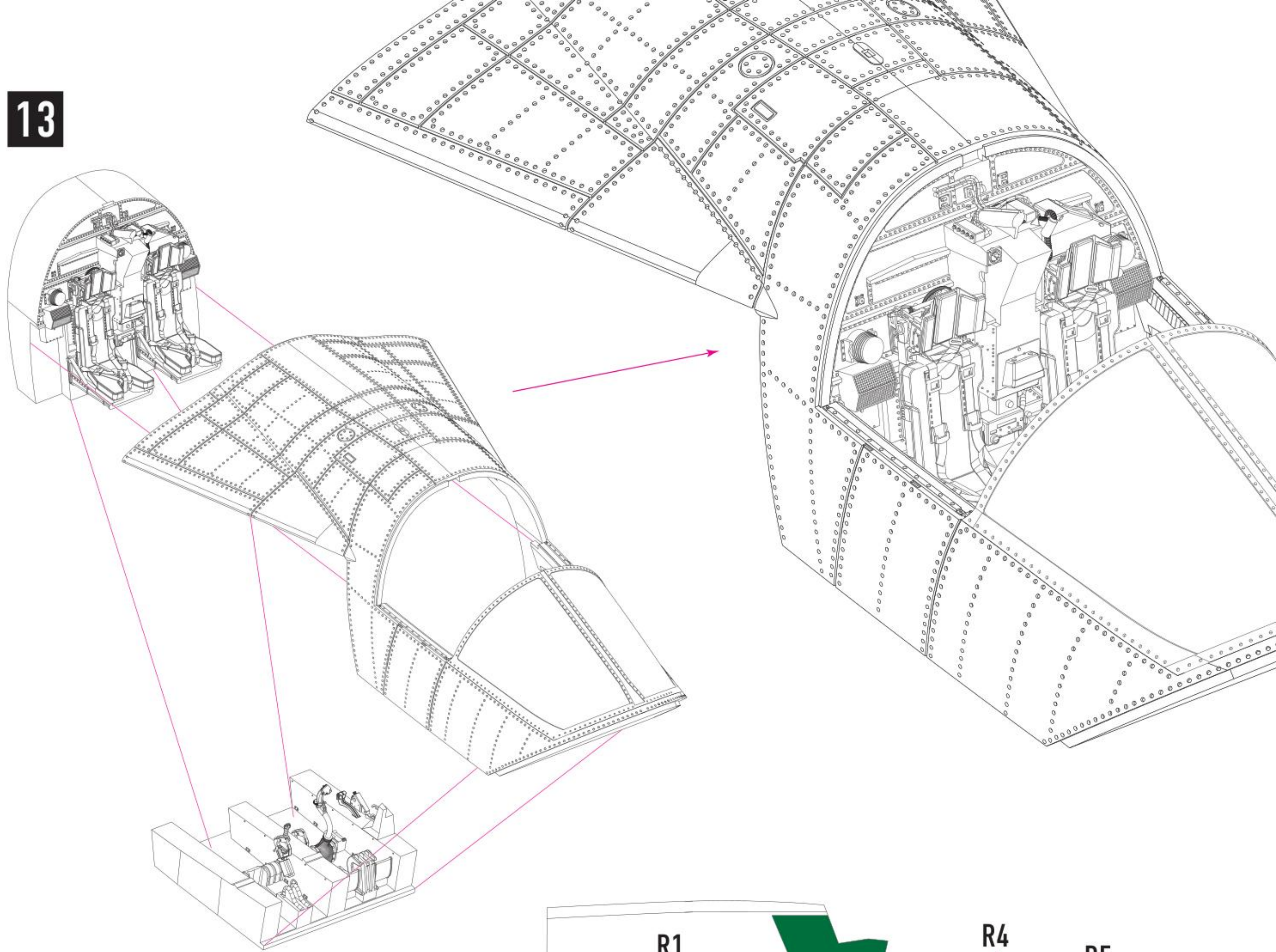
11



12

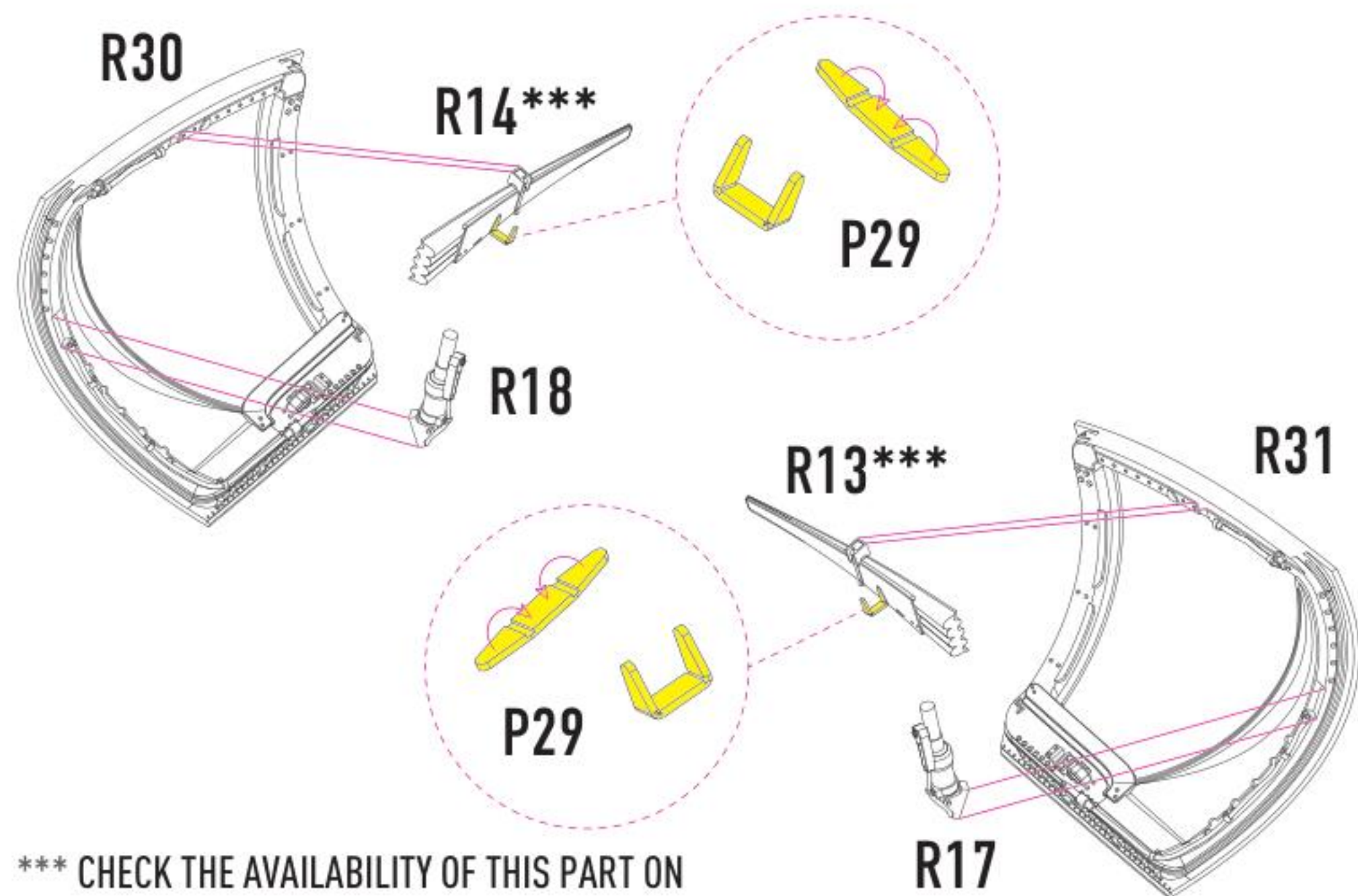


13



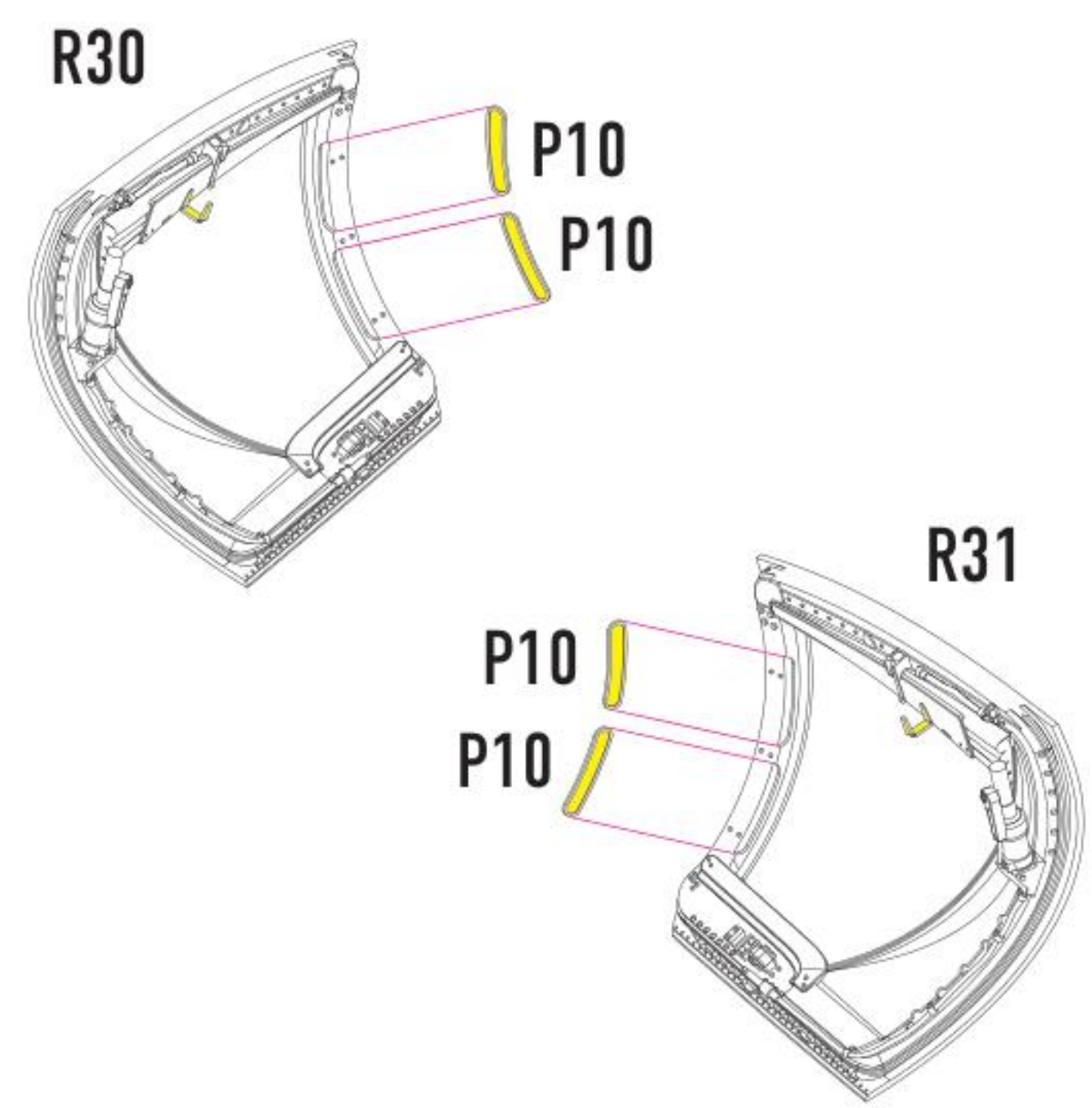
\* AFTER REMOVING THE STAND FROM THE PART R3, SHARPEN THE PART AT THE ANCHOR POINT TO A THICKNESS OF 0.5 MM. YOU ALSO NEED TO SHARPEN THE PART A17 FROM THE HOBBYBOSS SET

# 14 FOR CLOSED CANOPY

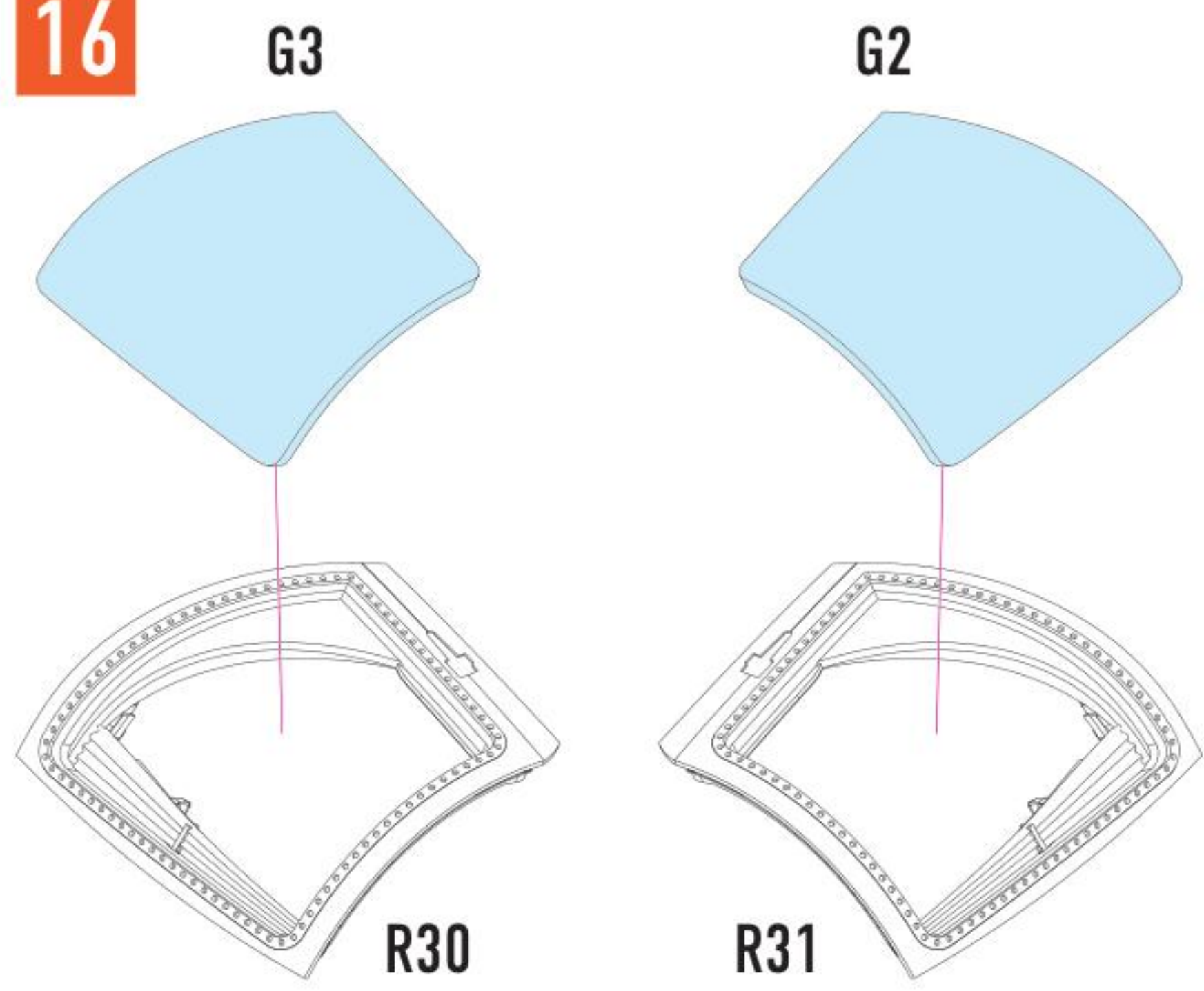


\*\*\* CHECK THE AVAILABILITY OF THIS PART ON THE PHOTOS OF THE AIRCRAFT YOU ARE BUILDING

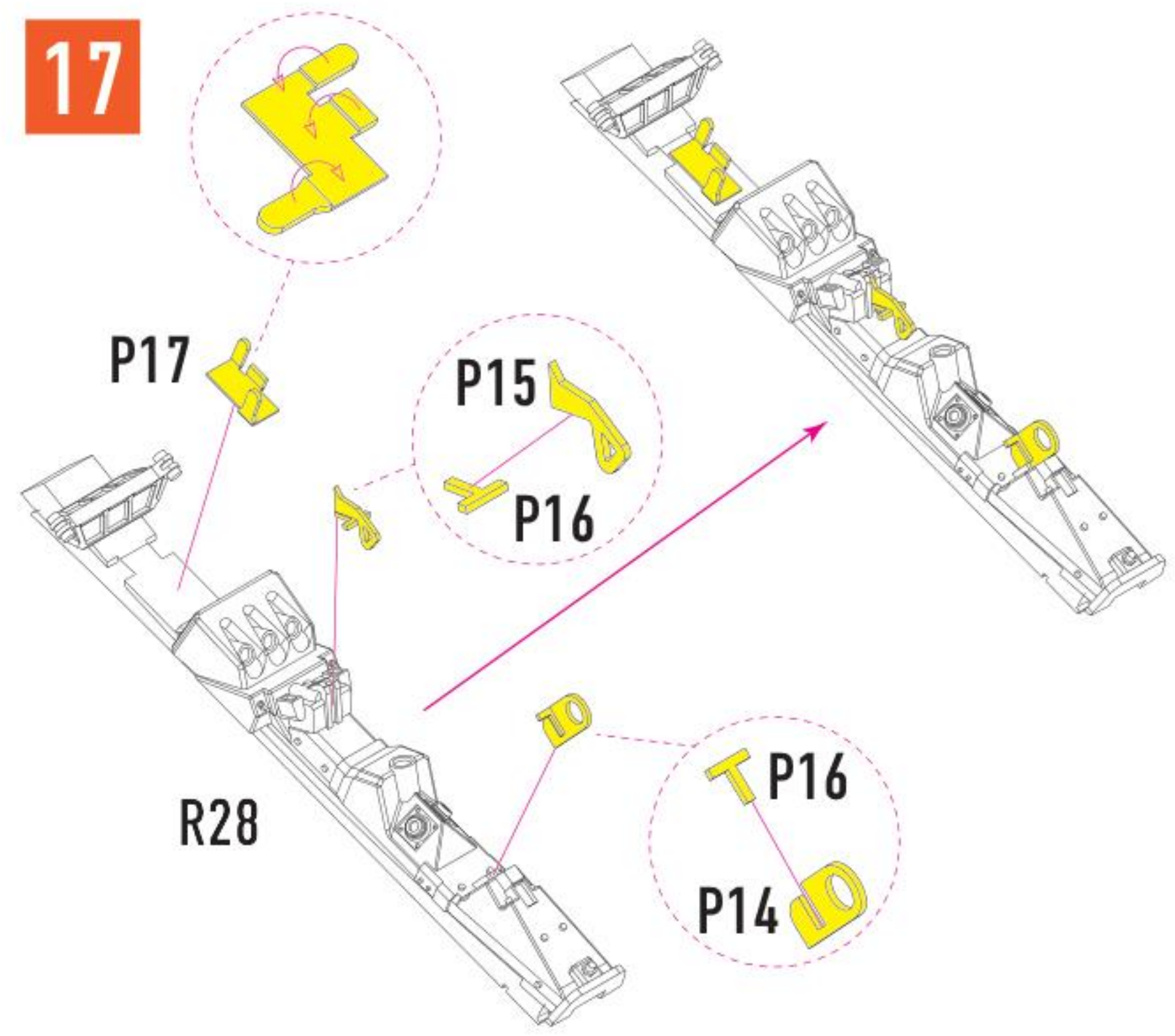
# 15



# 16

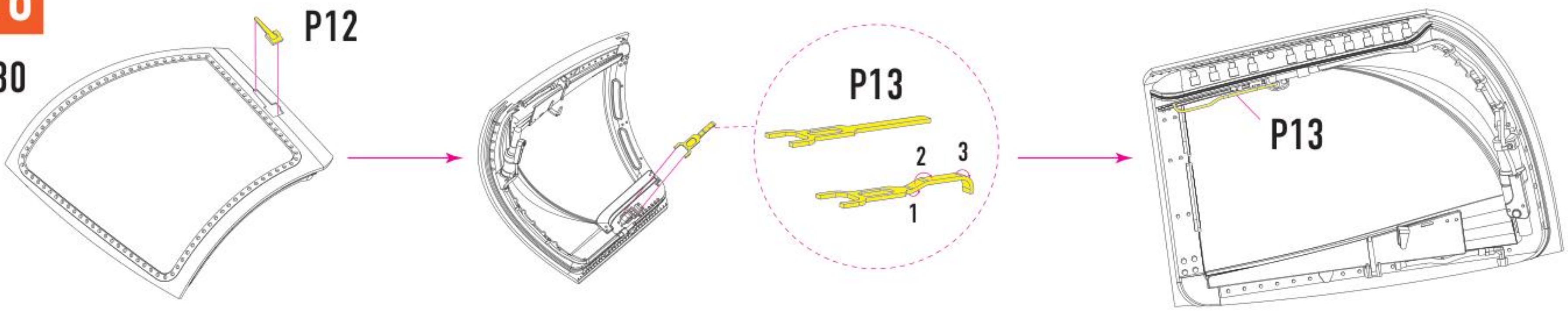


# 17



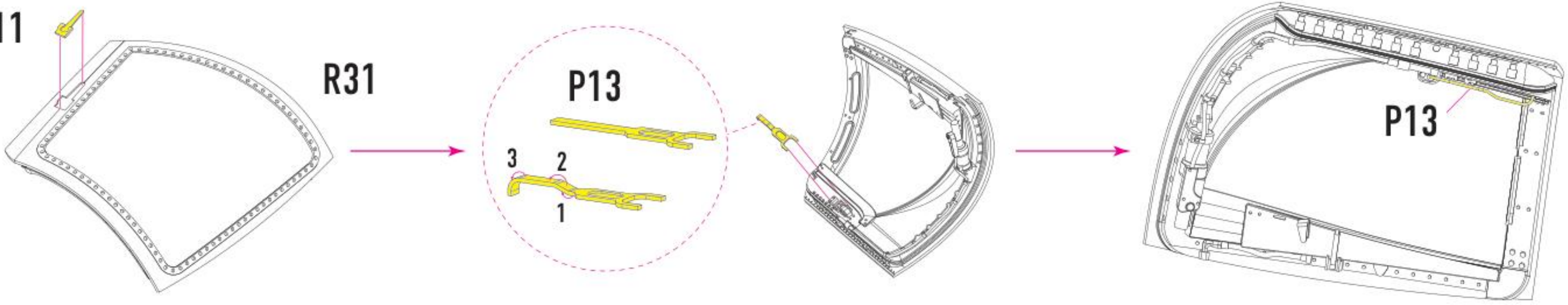
**18**

**R30**



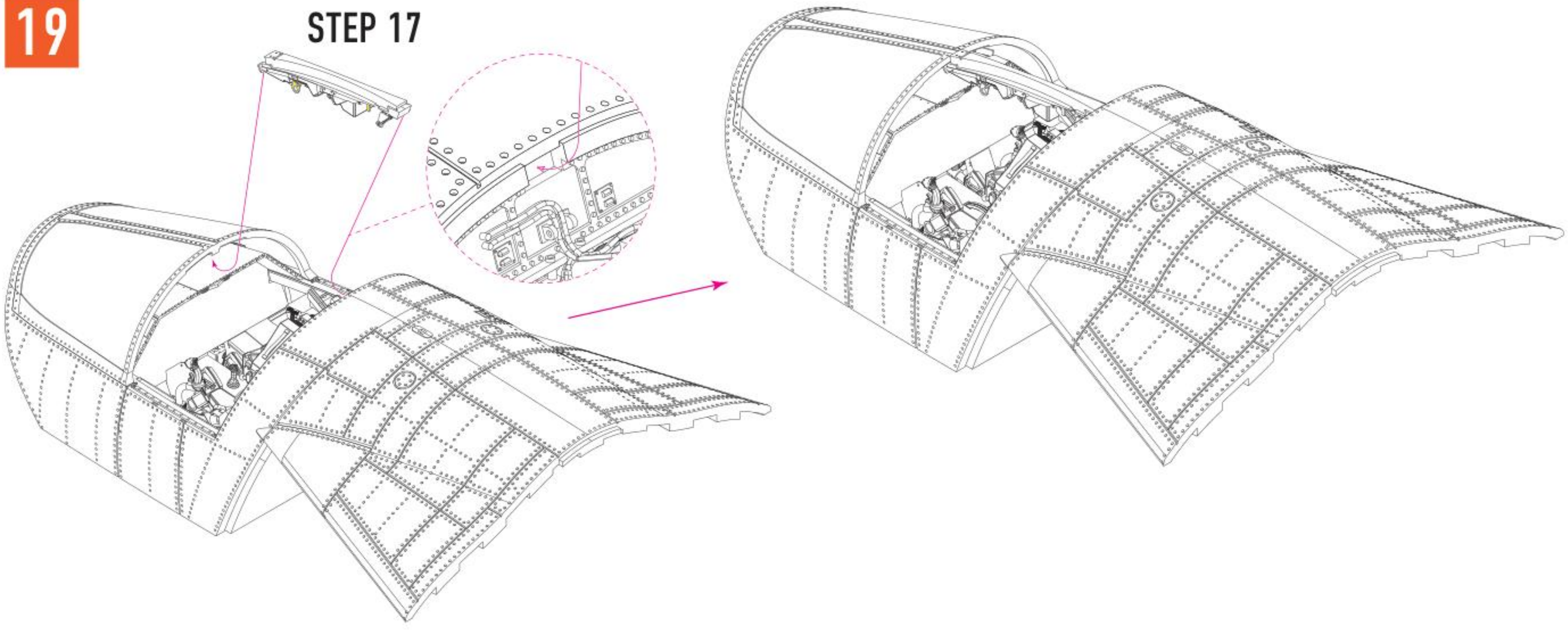
**P11**

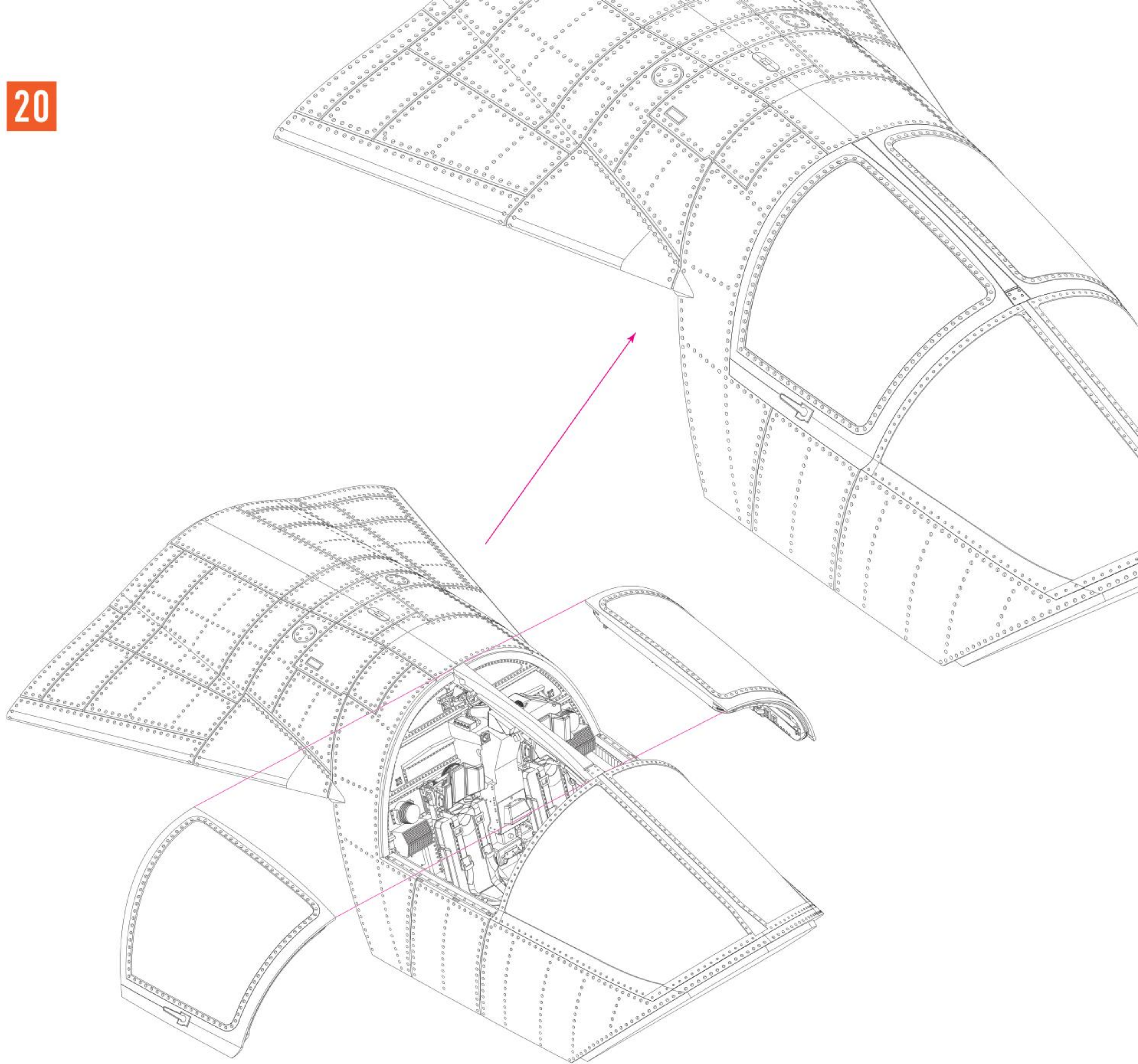
**R31**



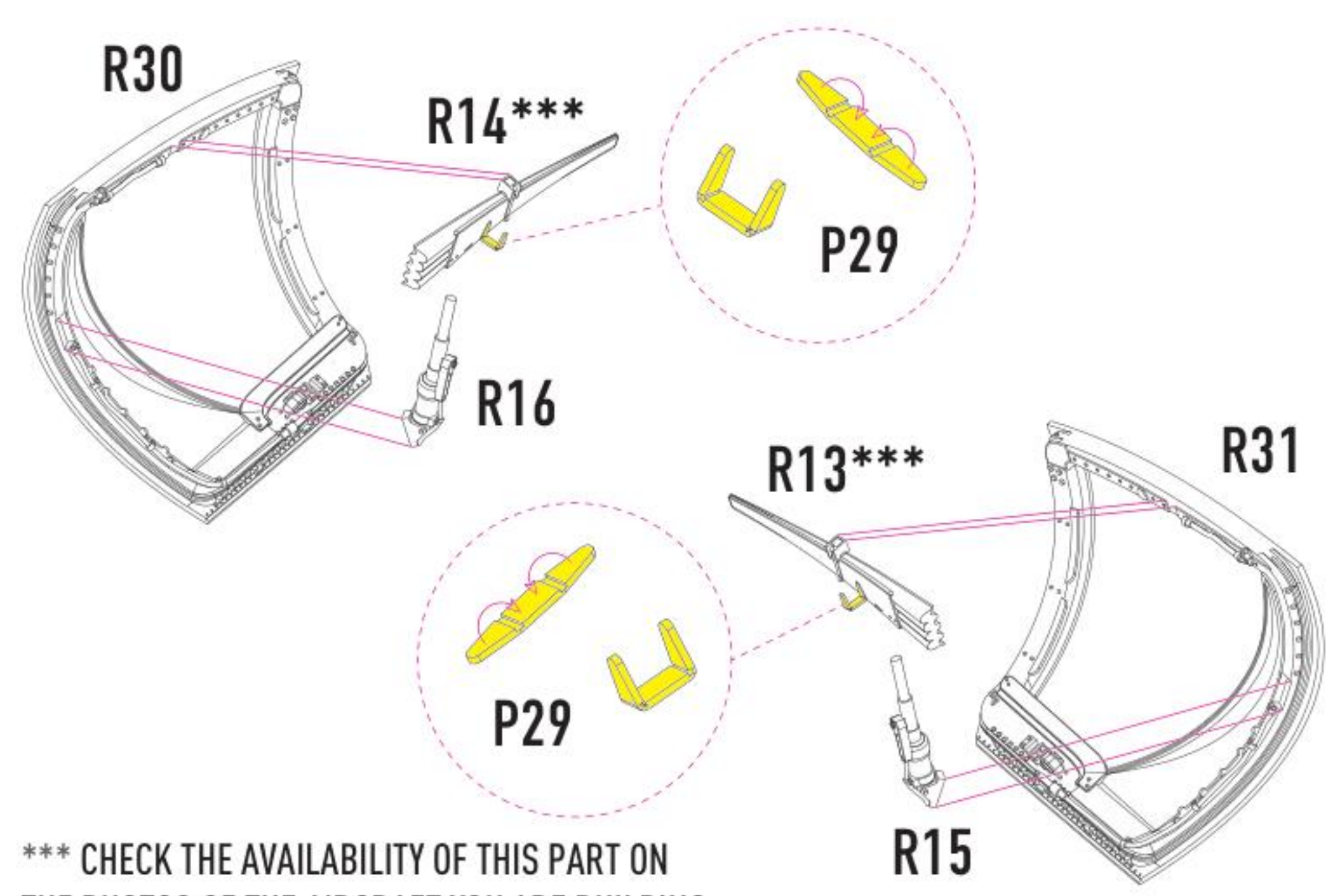
**19**

**STEP 17**



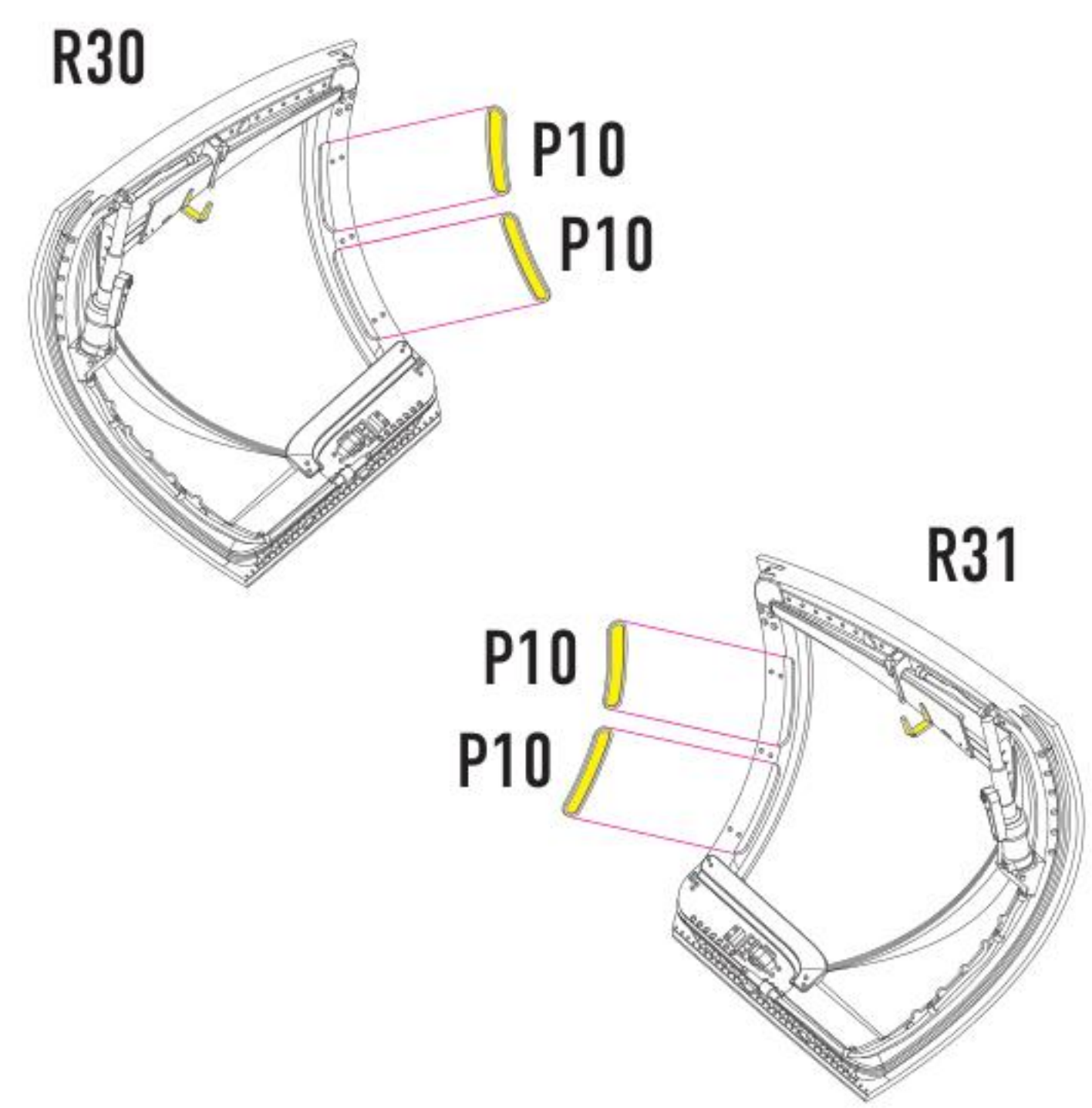


# 14 FOR OPEN CANOPY

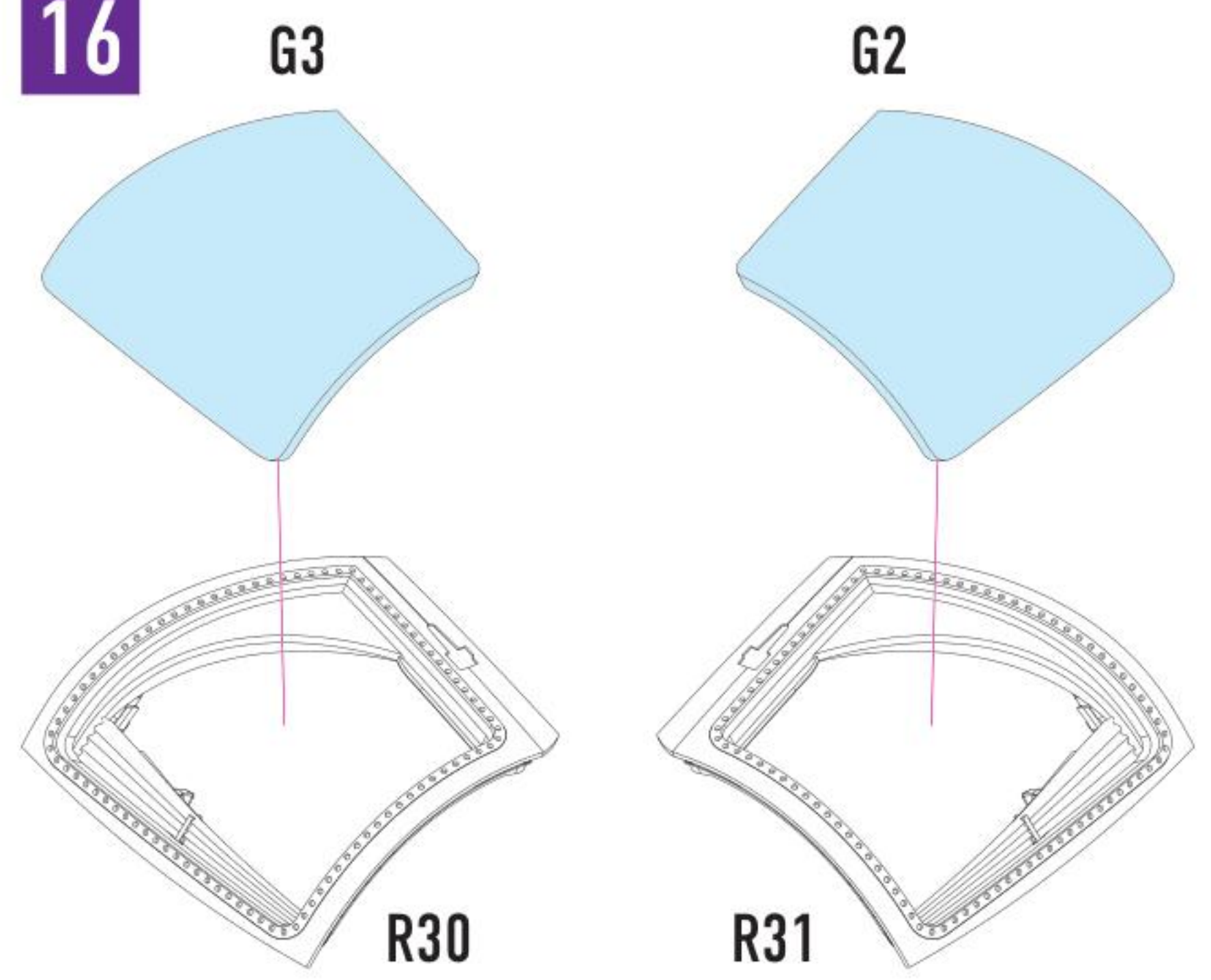


\*\*\* CHECK THE AVAILABILITY OF THIS PART ON THE PHOTOS OF THE AIRCRAFT YOU ARE BUILDING

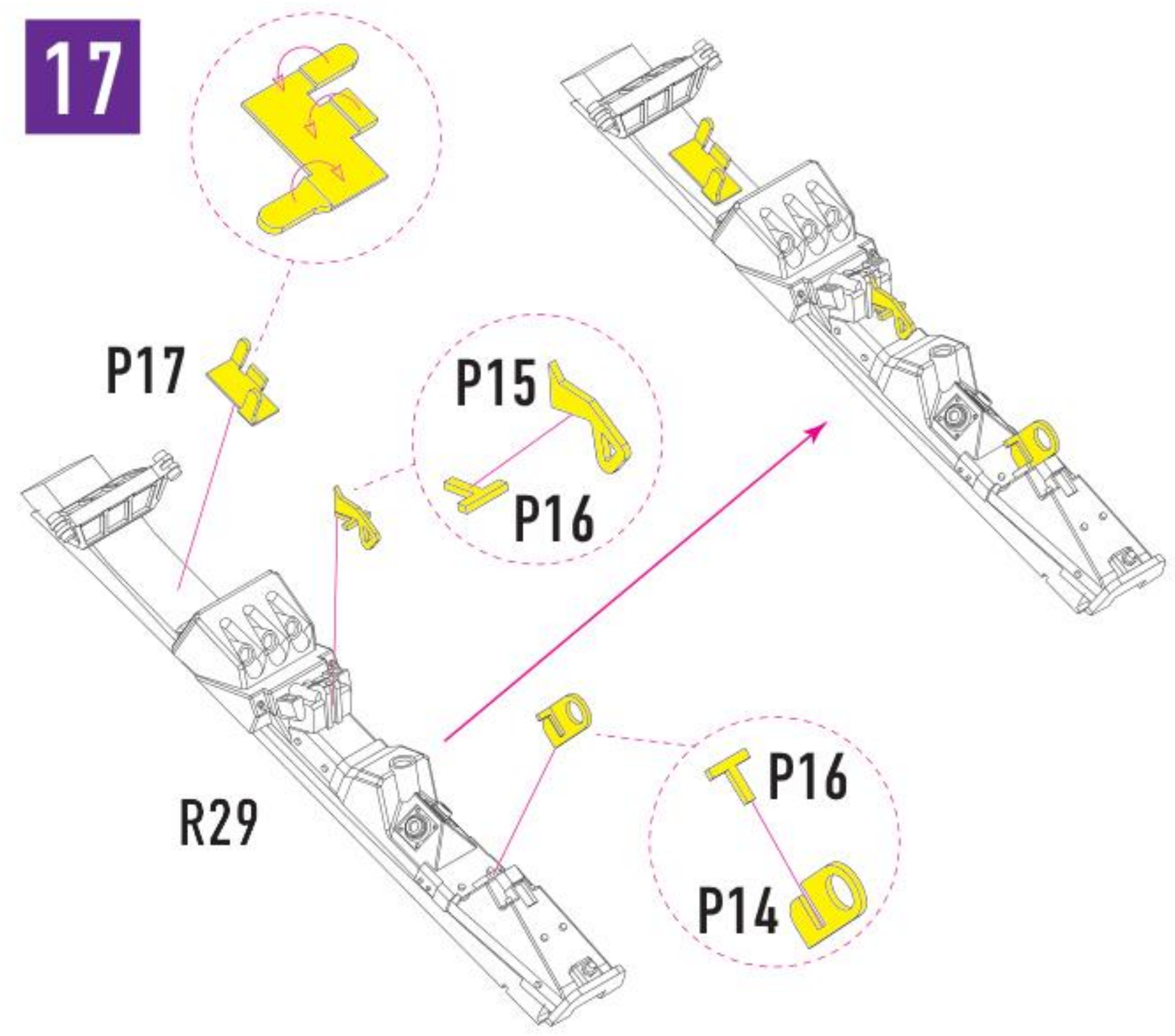
# 15



# 16

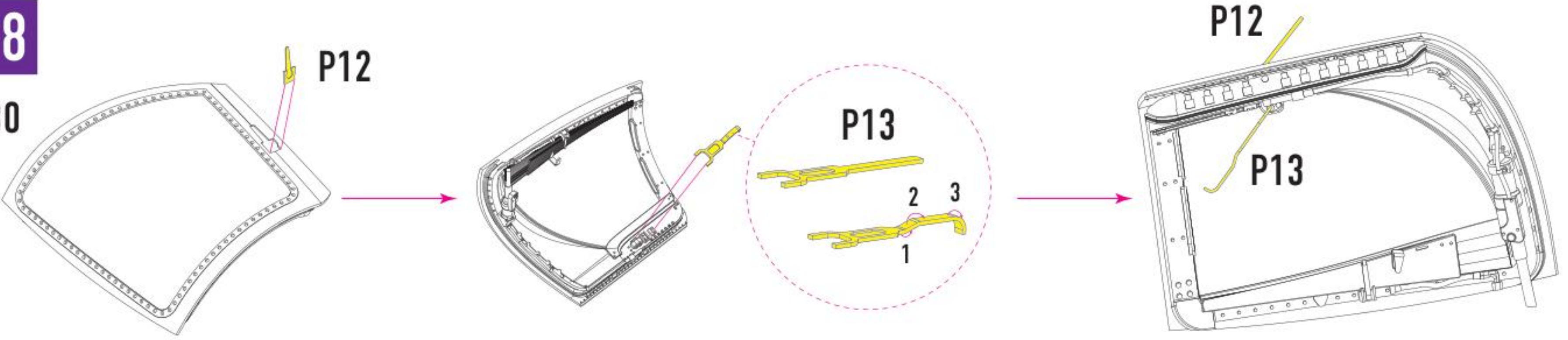


# 17



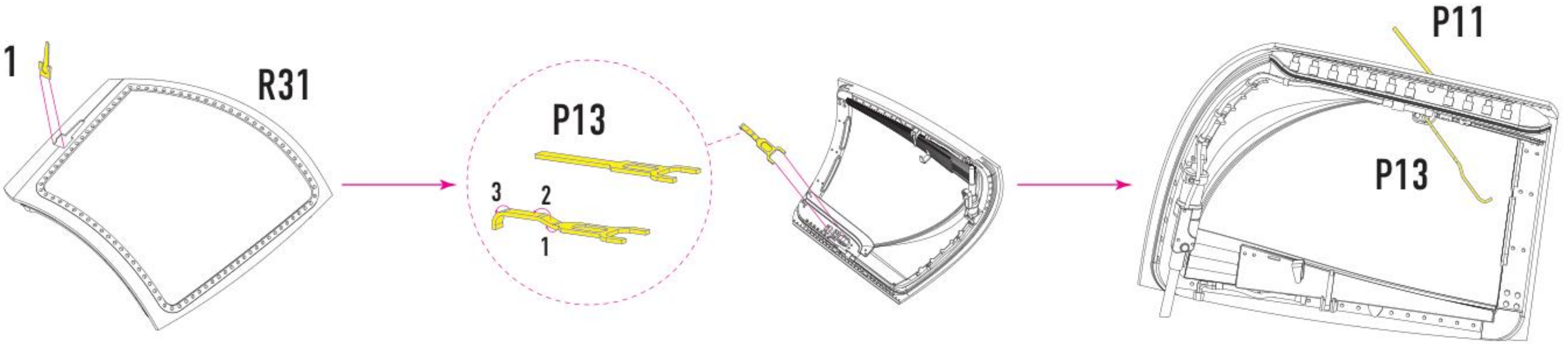
**18**

**R30**



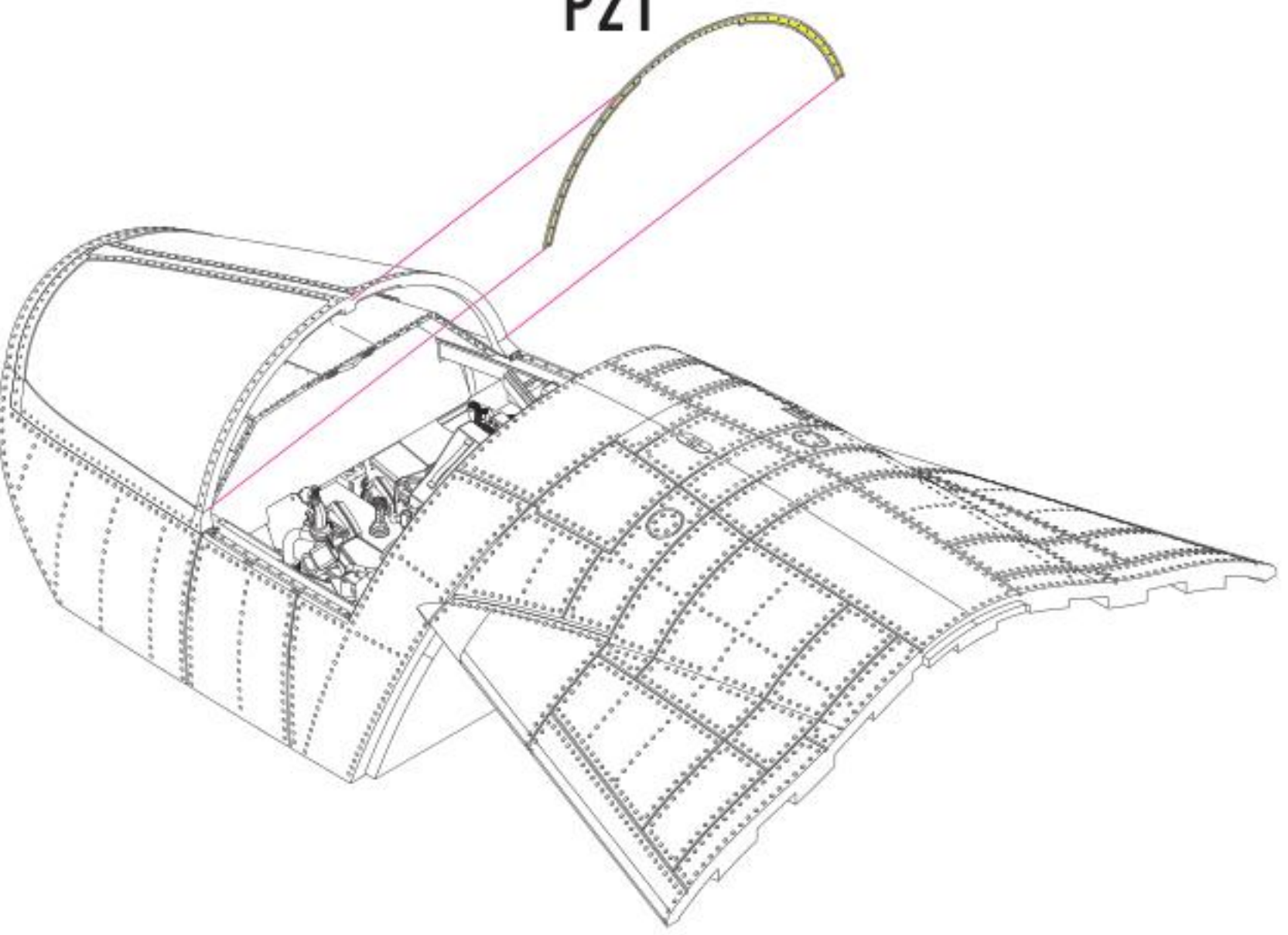
**P11**

**R31**



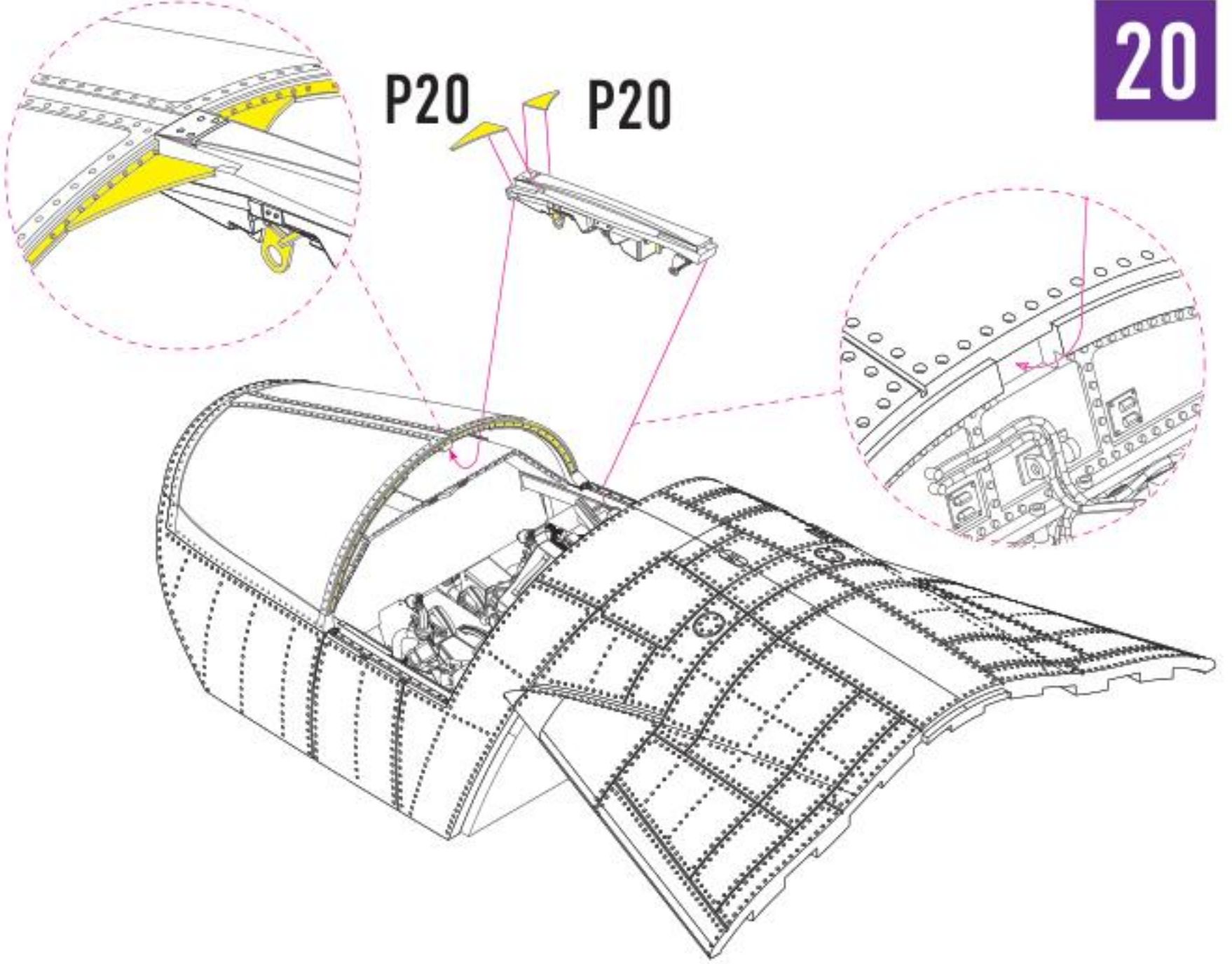
**19**

**P21**



**20**

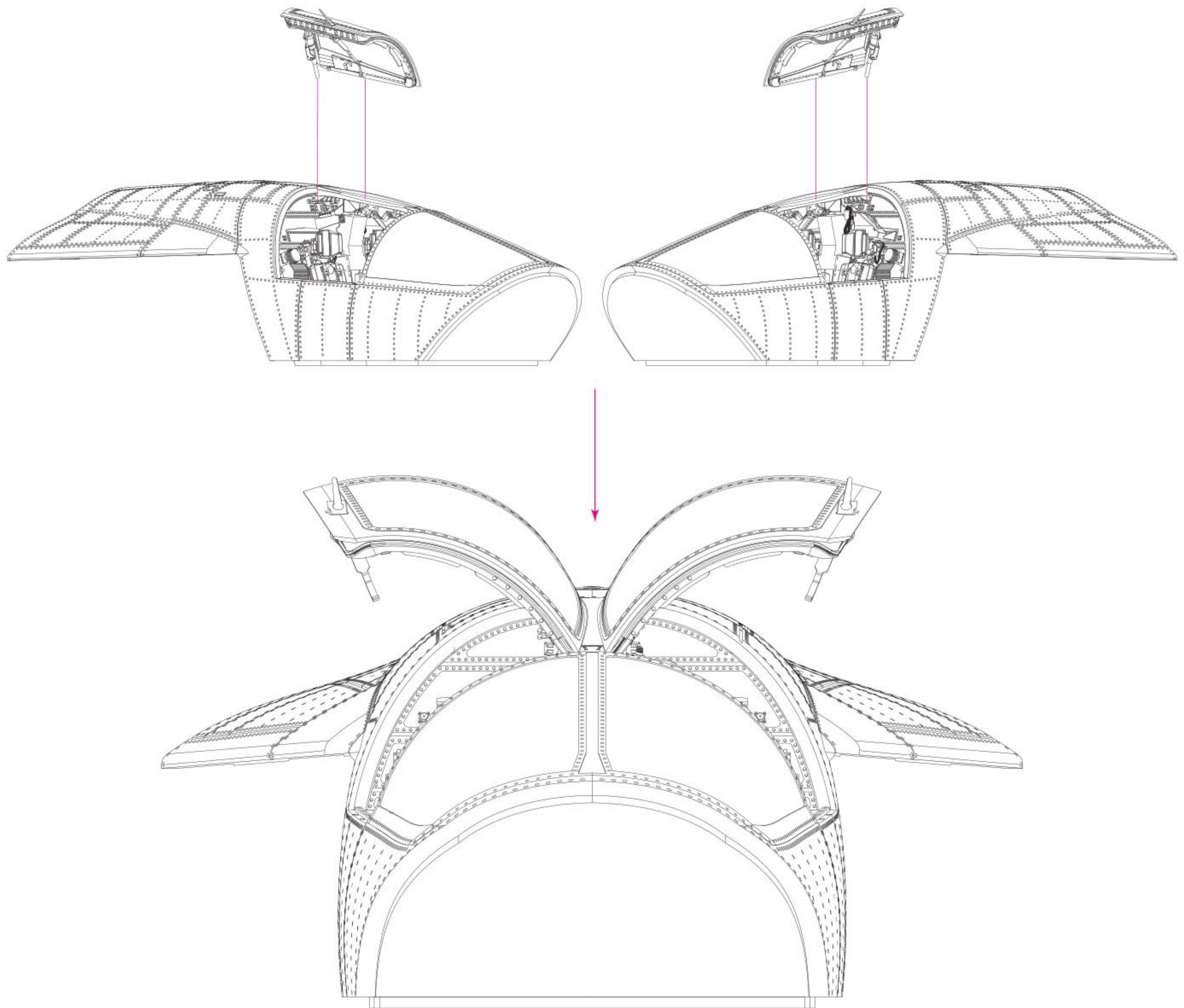
**P20 P20**



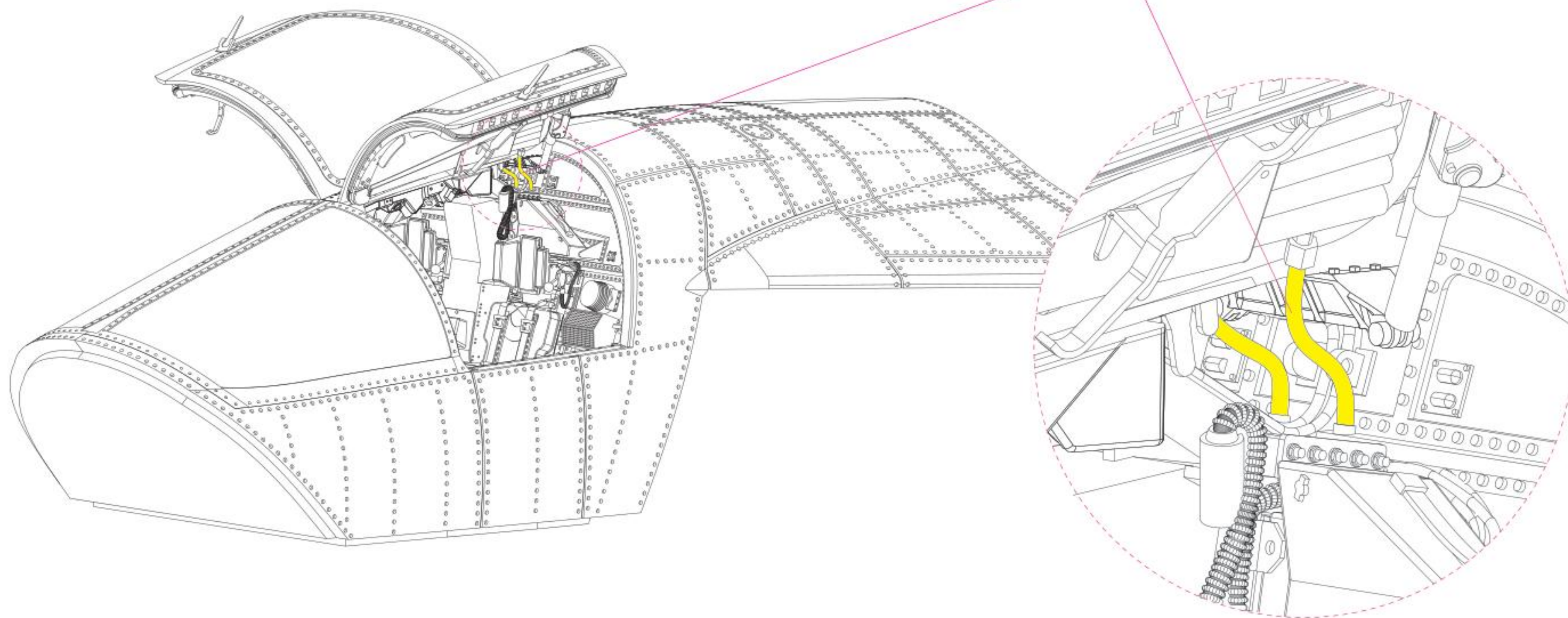
BEFORE GLUING MAKE THE FLEXION OF THE P20 PARTS EQUAL TO THE FLEXION OF THE G1 PART EDGE.

R31

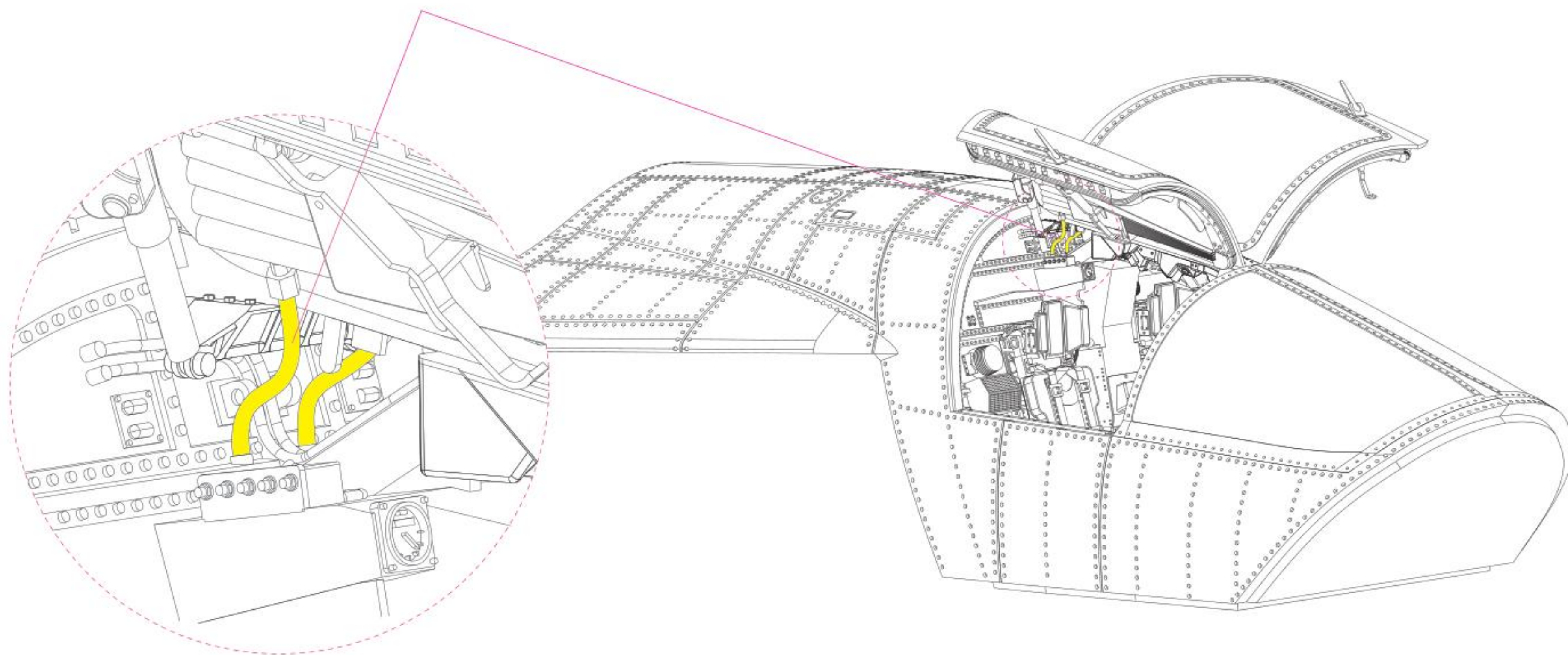
R30

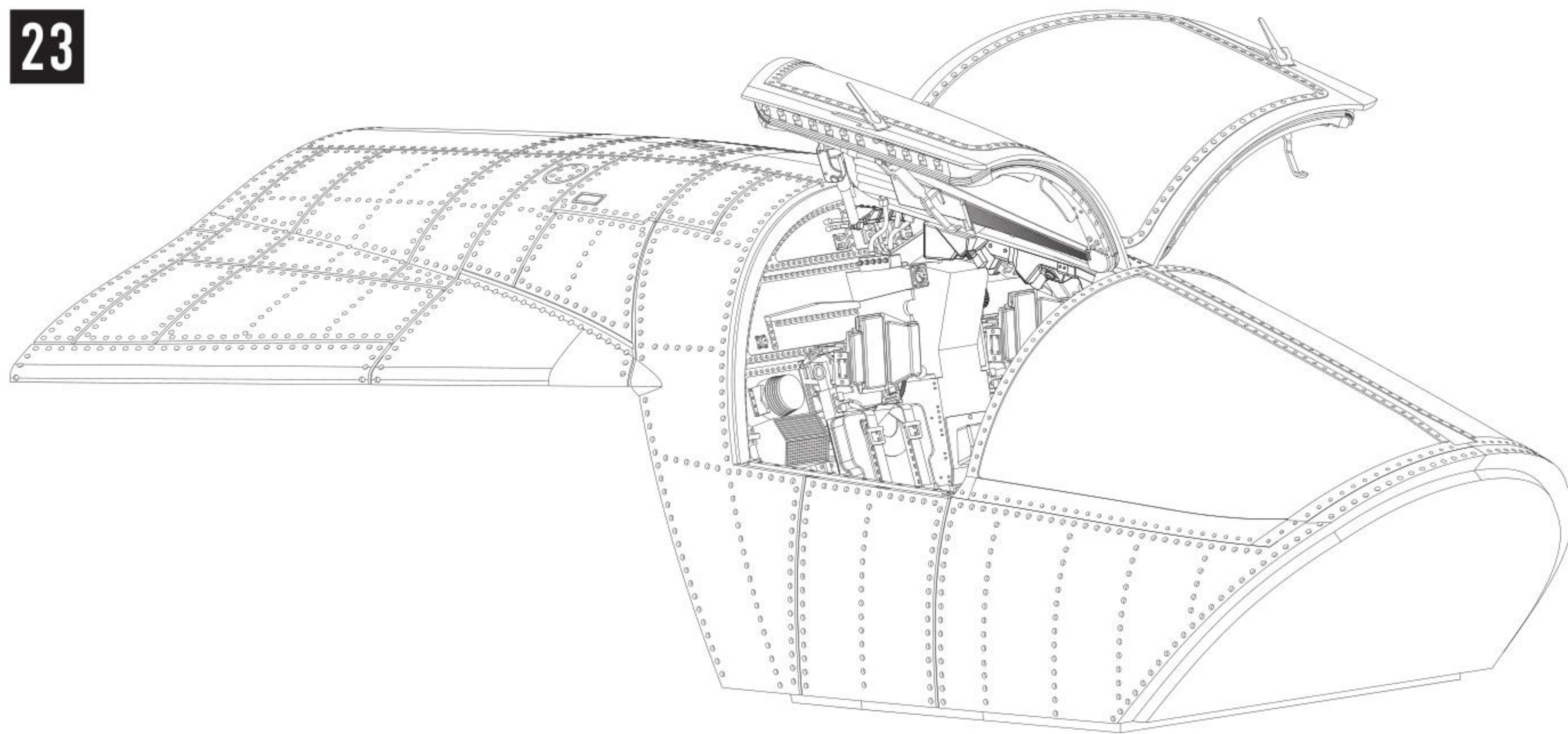


USE WIRE D: 0.3MM, L: 5MM

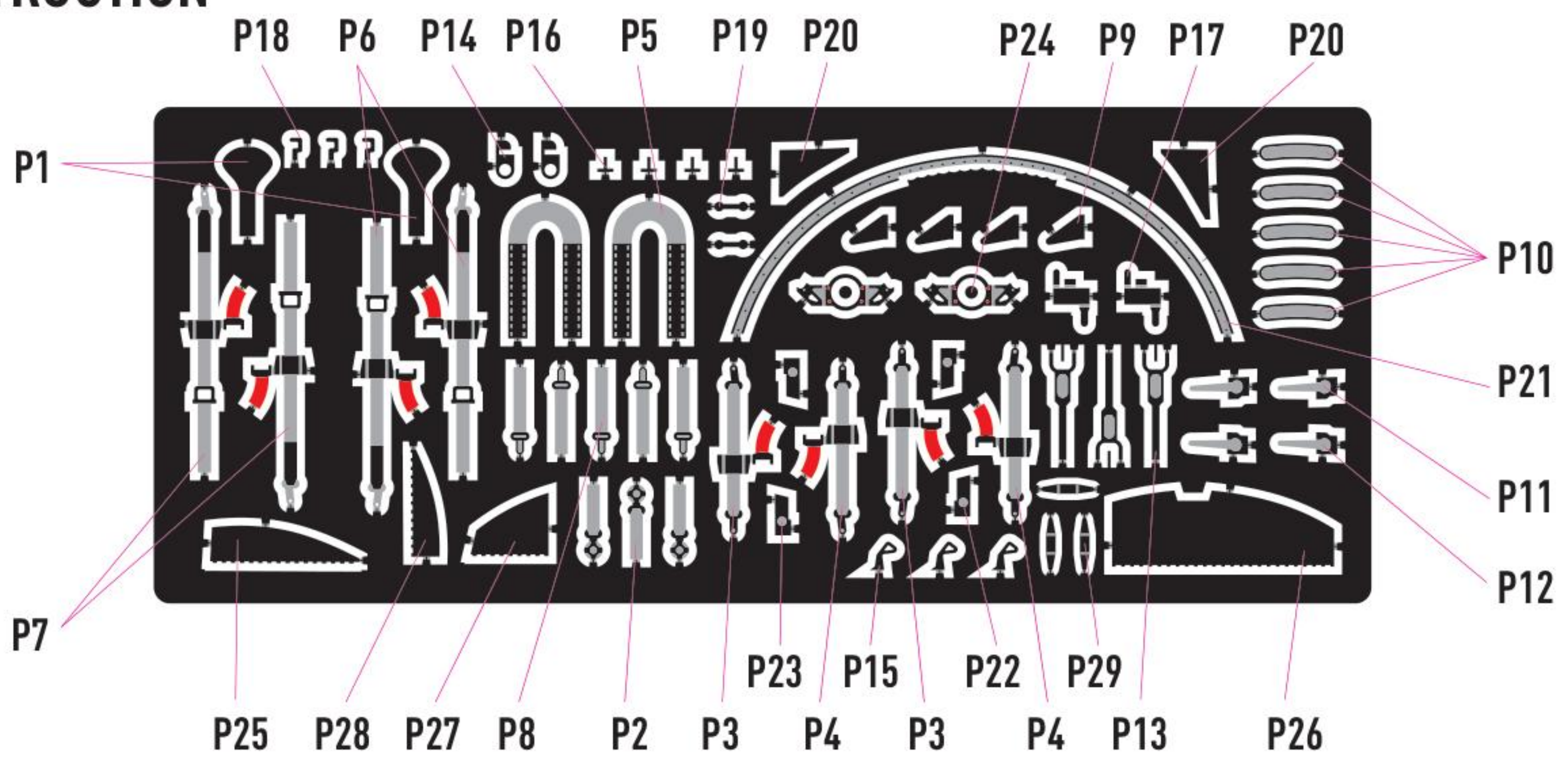


USE WIRE D: 0.3MM, L: 5MM





### PE INSTRUCTION



**YOU CAN FIND INSTRUCTIONS  
IN PDF FORMAT ON THE WEBSITE**

**RESKIT-MODELS.COM**

**General Issues: [info@reskit.com.ua](mailto:info@reskit.com.ua)**

**Wholesales: [sales@reskit.com.ua](mailto:sales@reskit.com.ua)**

**Claim Resolution: [claims@reskit.com.ua](mailto:claims@reskit.com.ua)**