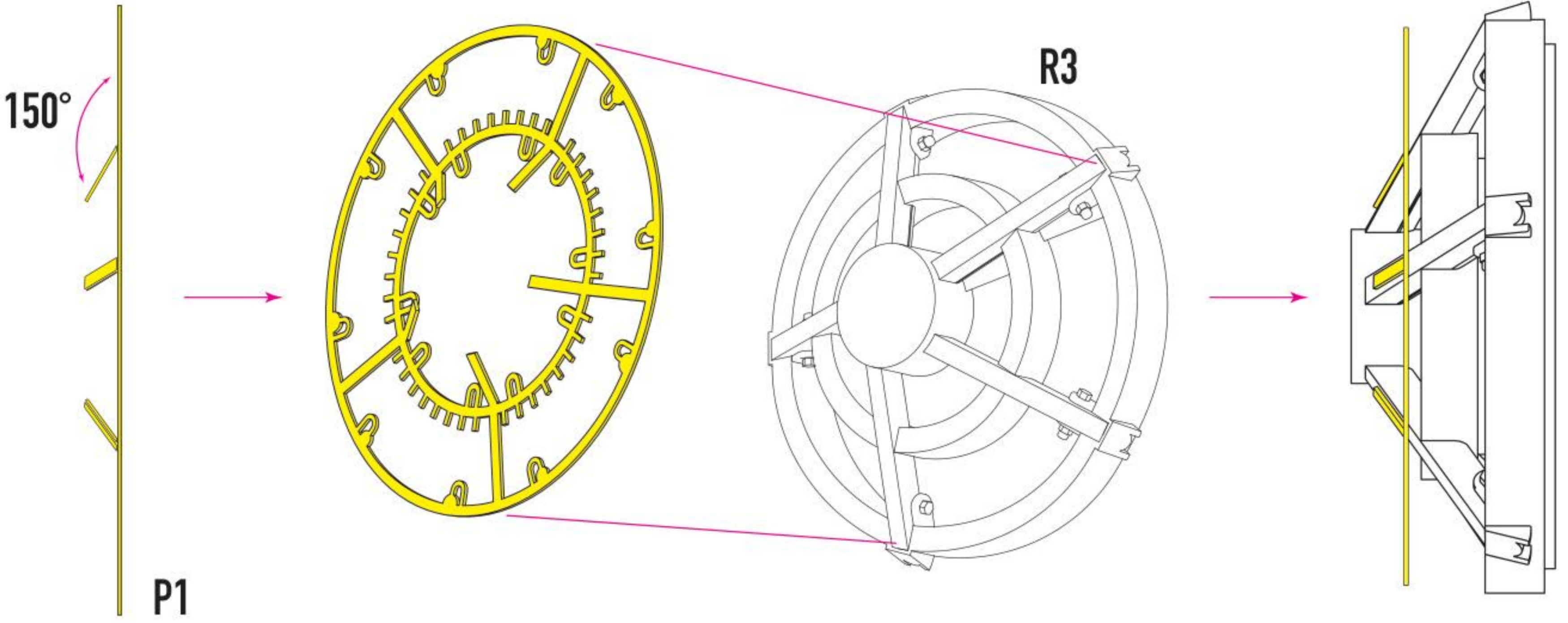


1 X2



2 X2

