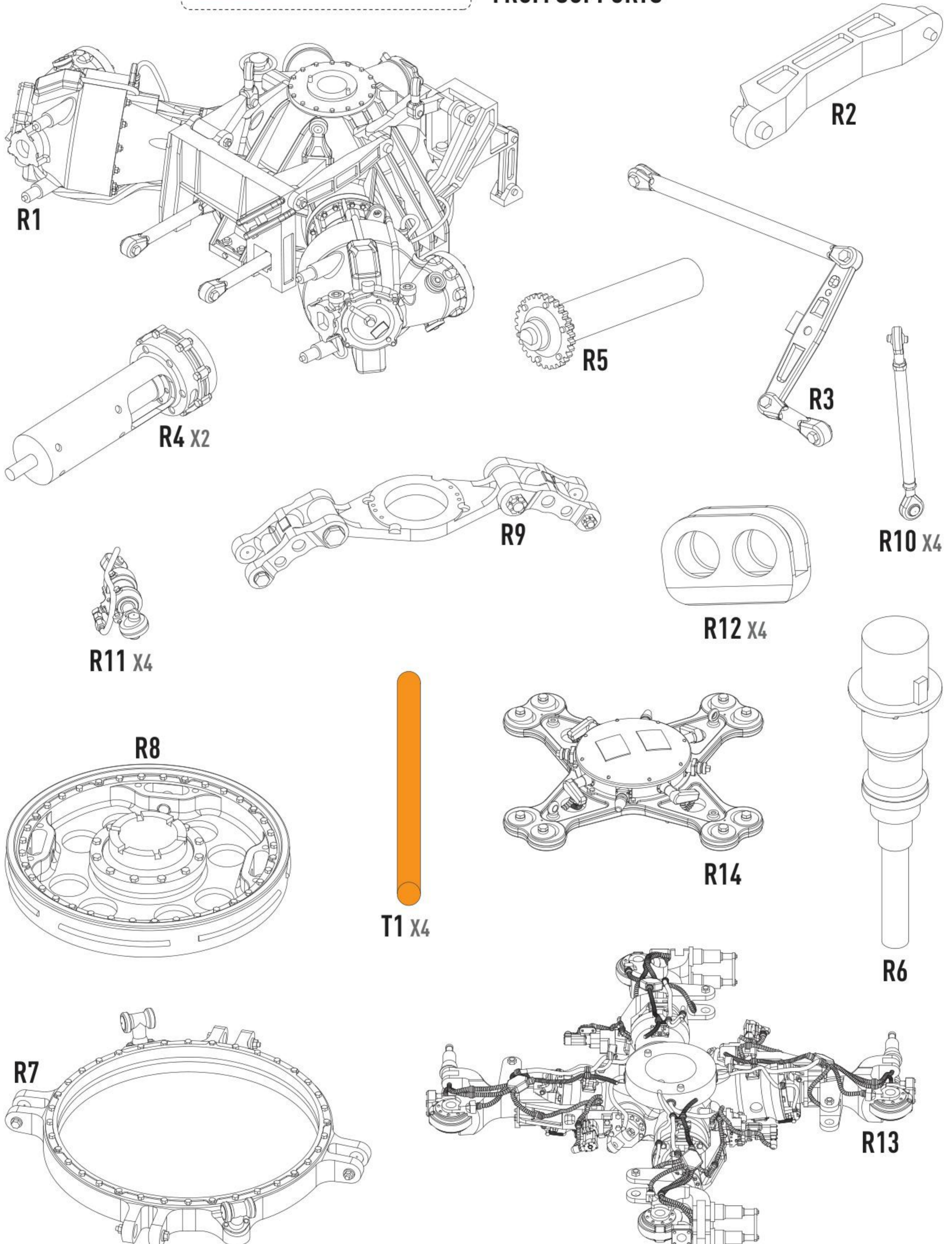


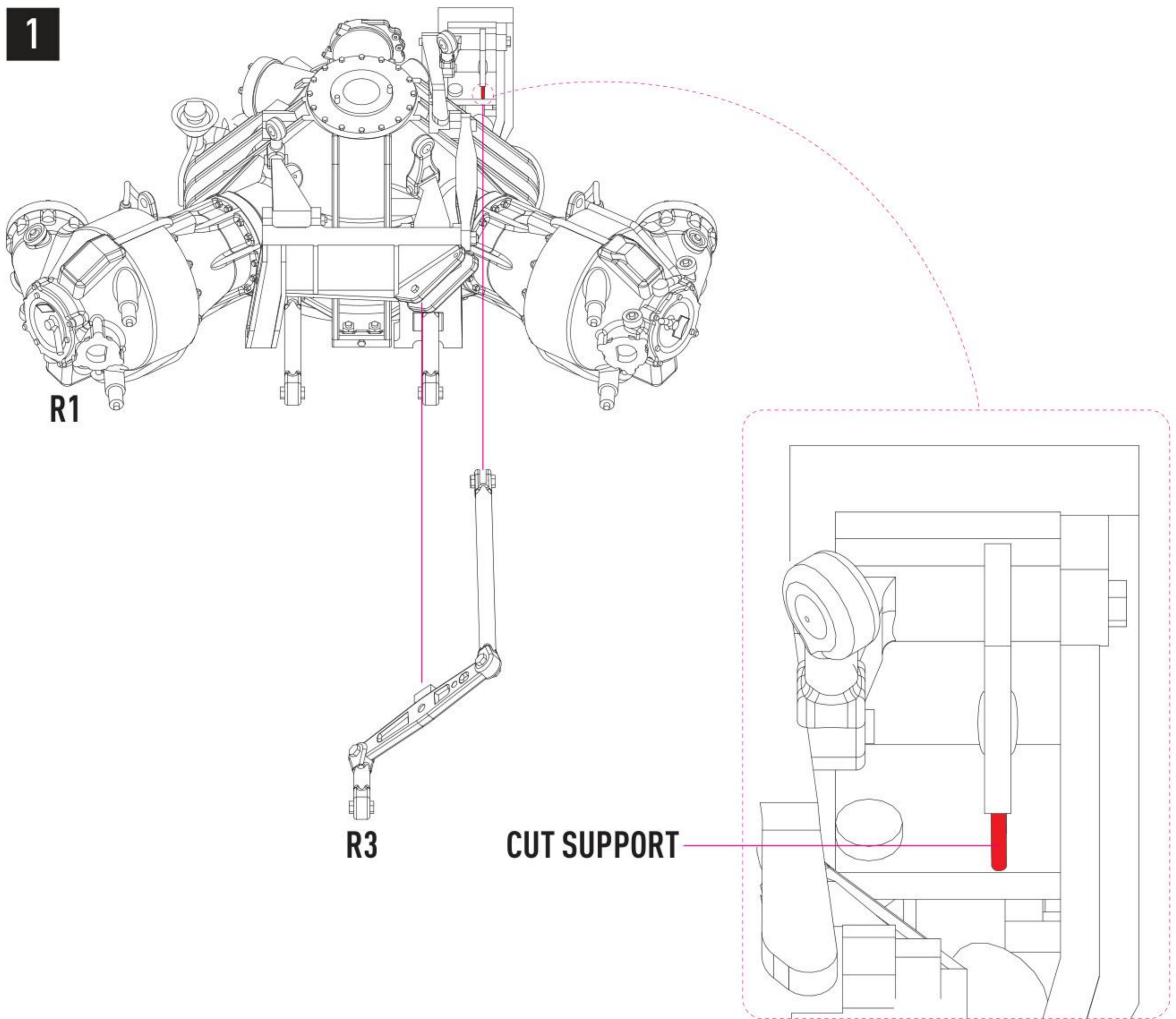


USE A SAW TO REMOVE SUPPORTS  
 FROM 3D PRINTED PARTS

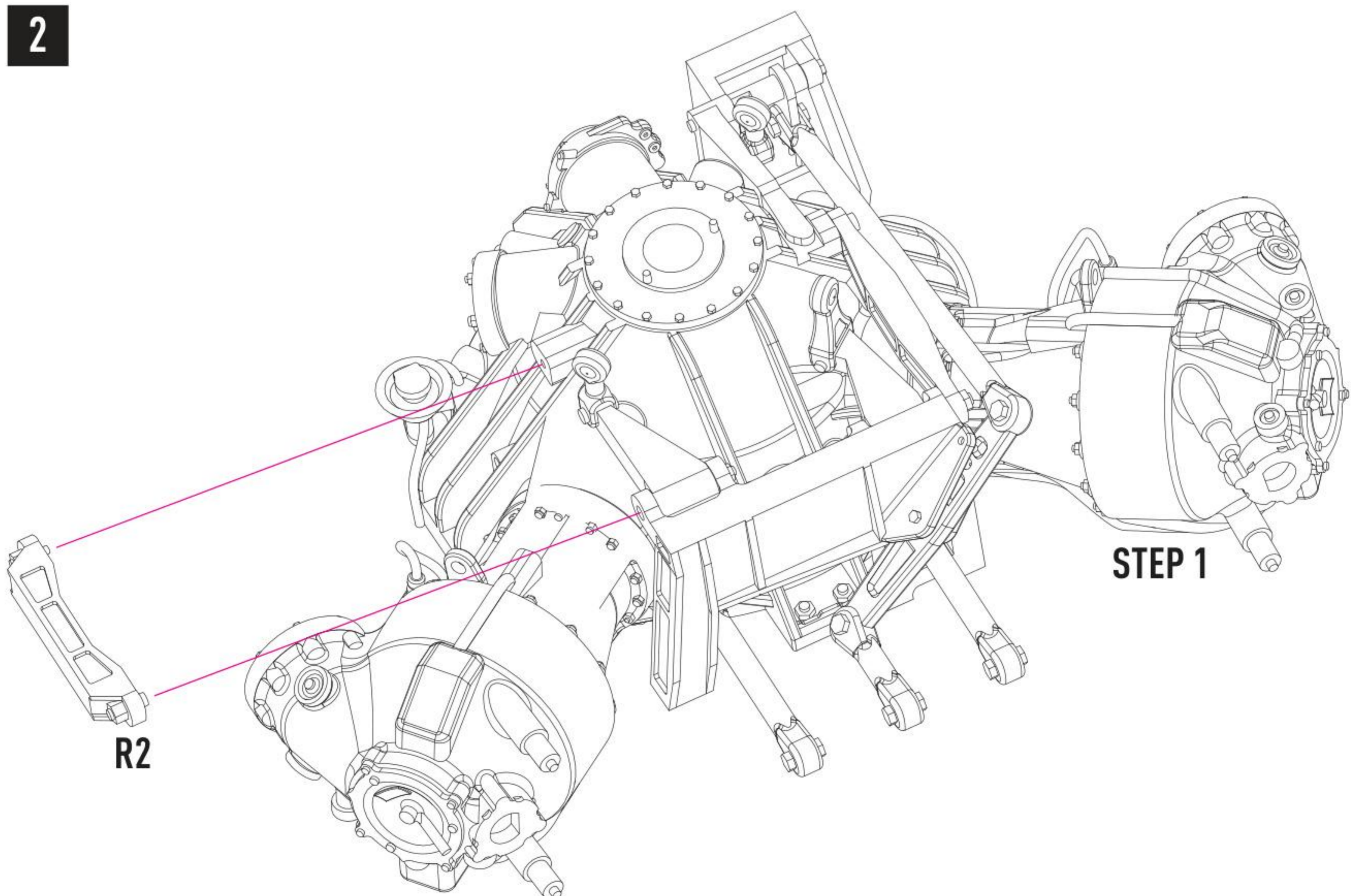
**DETAILS AFTER REMOVAL  
 FROM SUPPORTS**



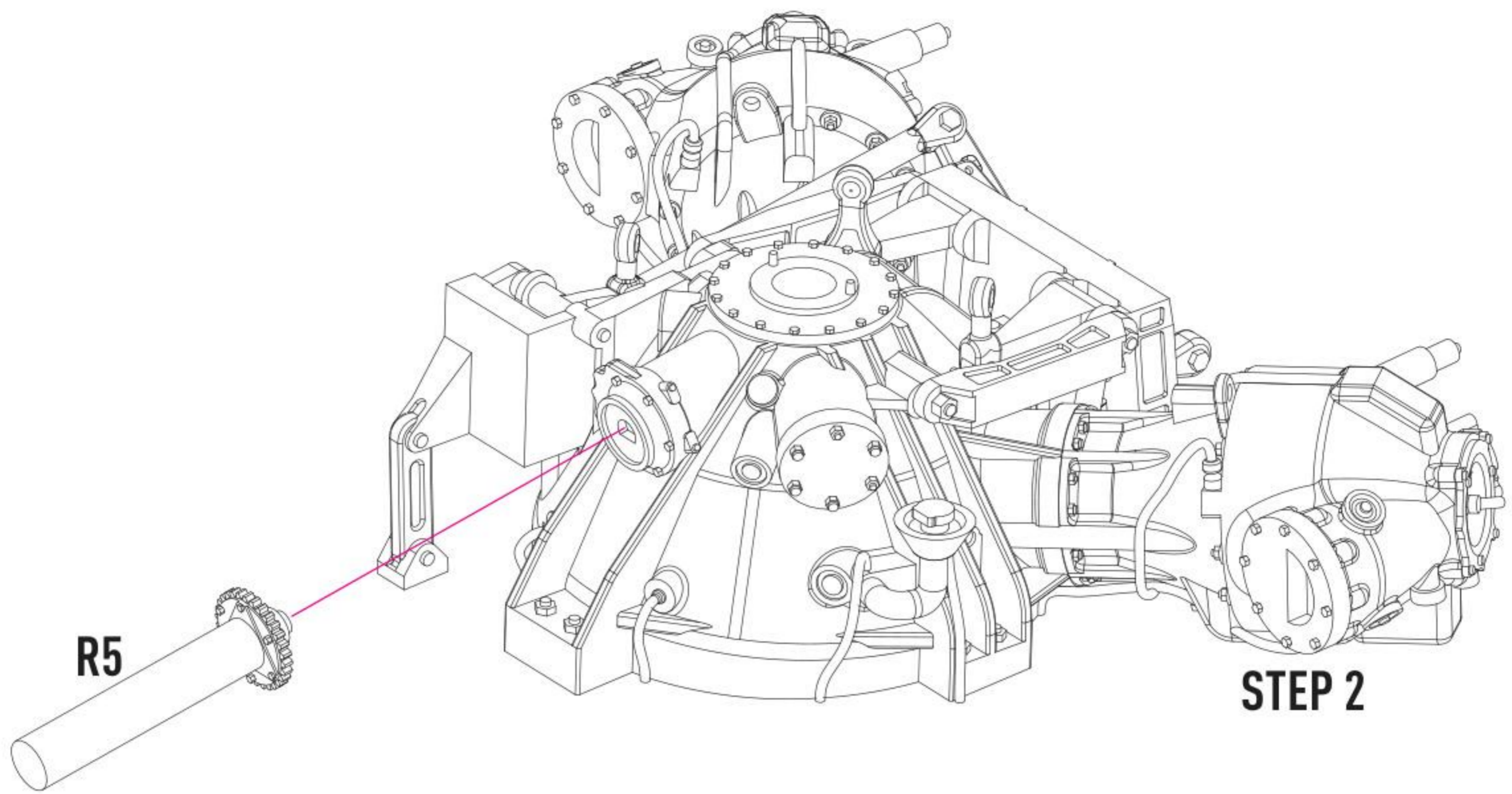
1



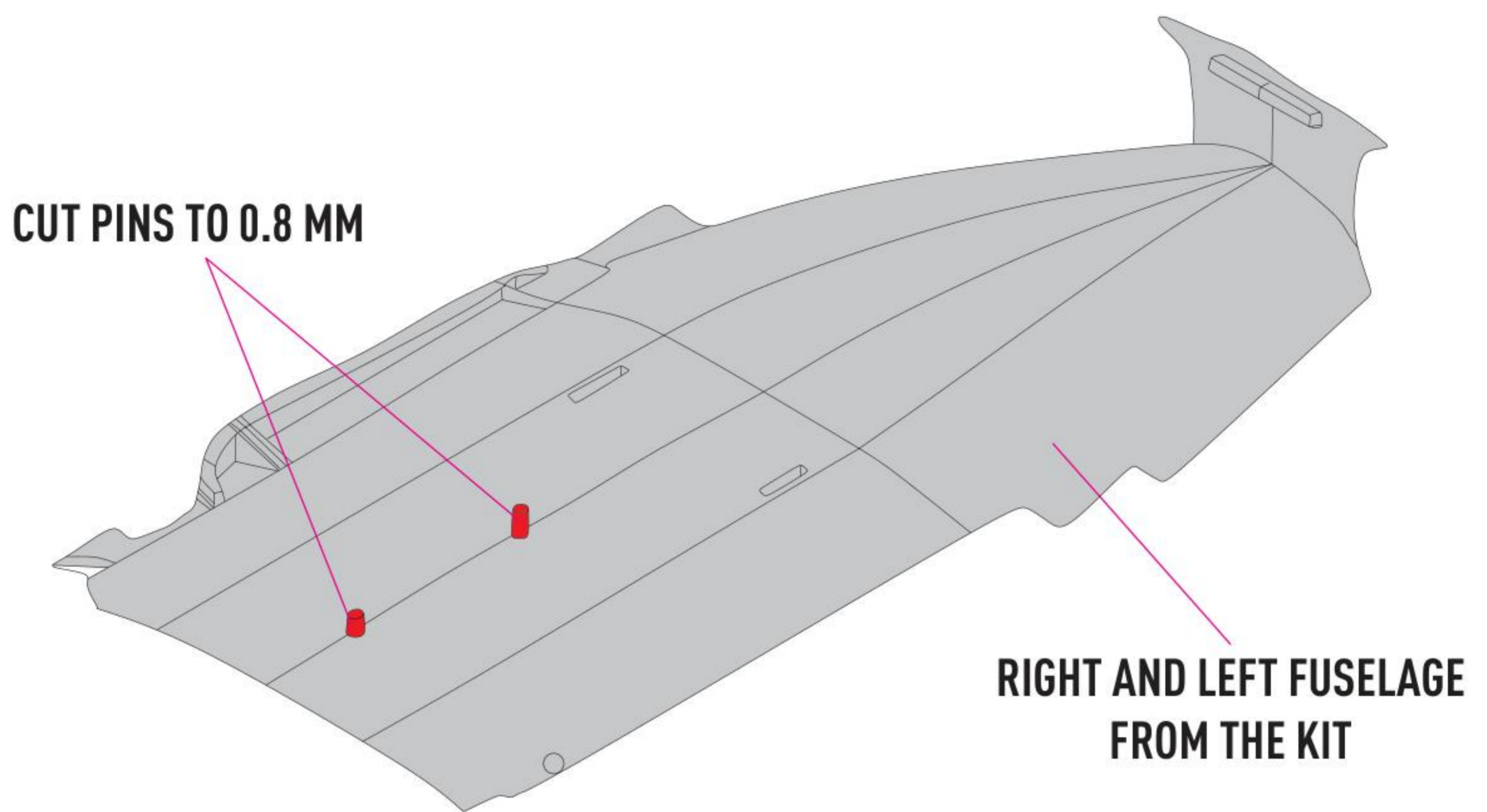
2



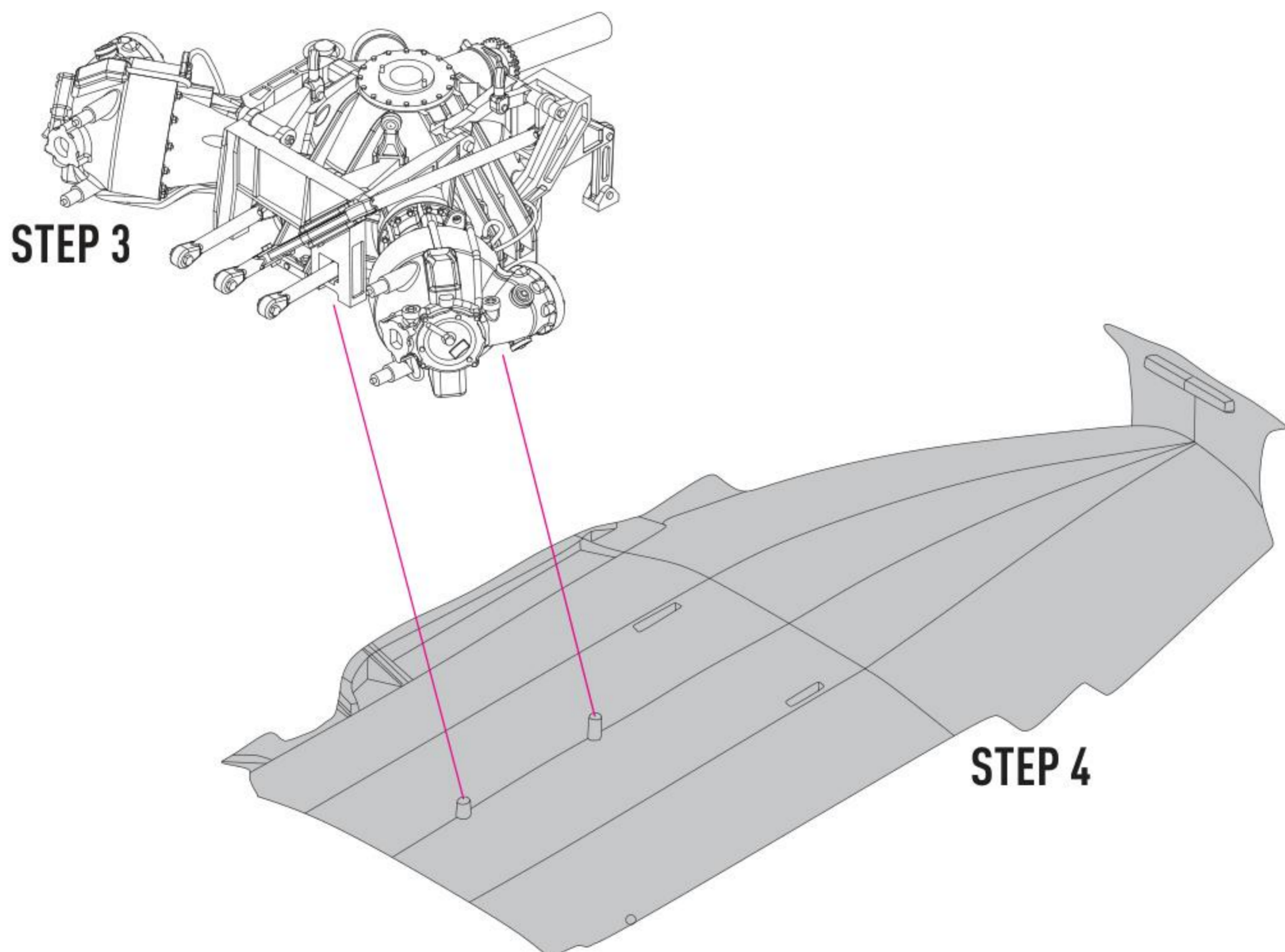
3



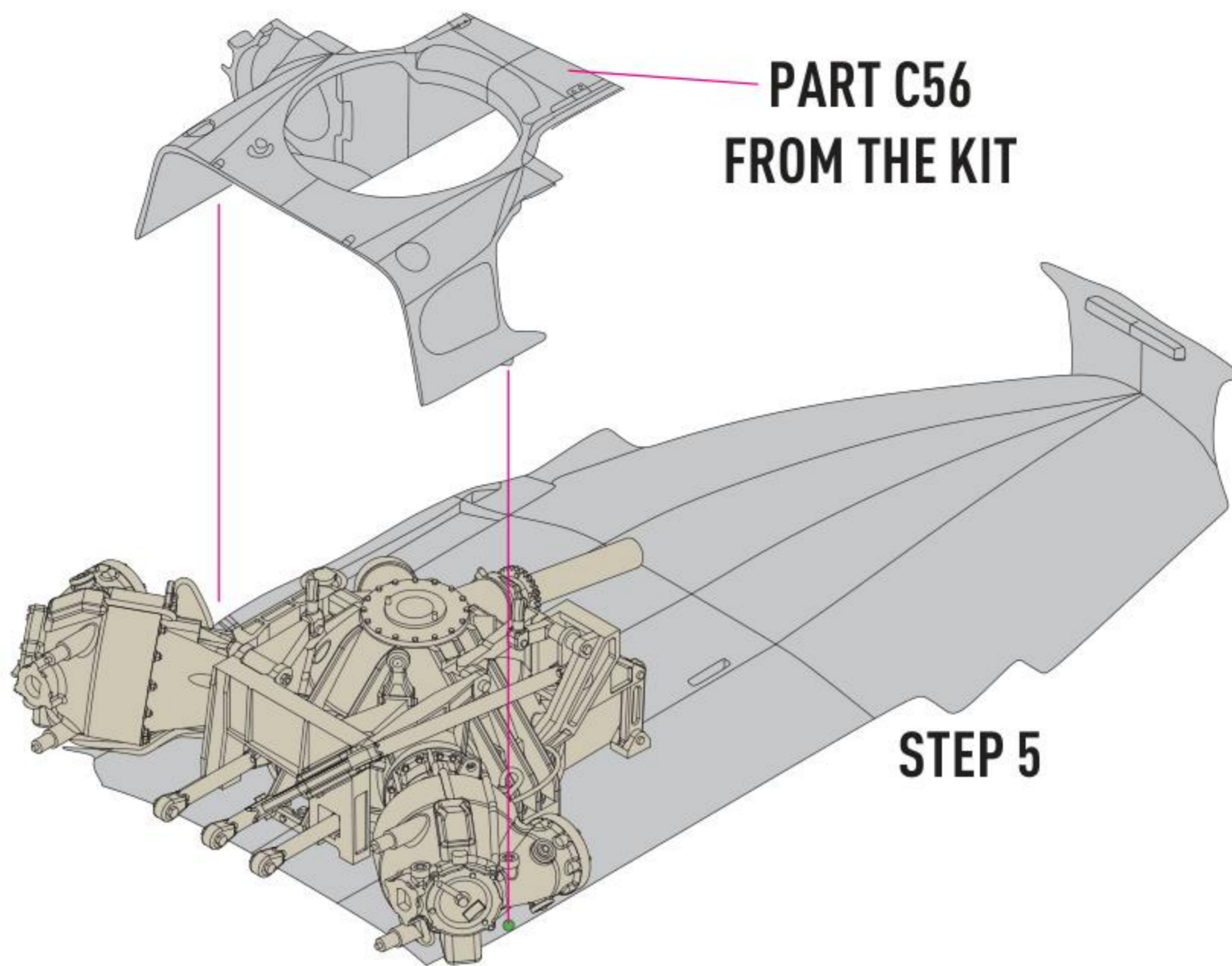
4



5

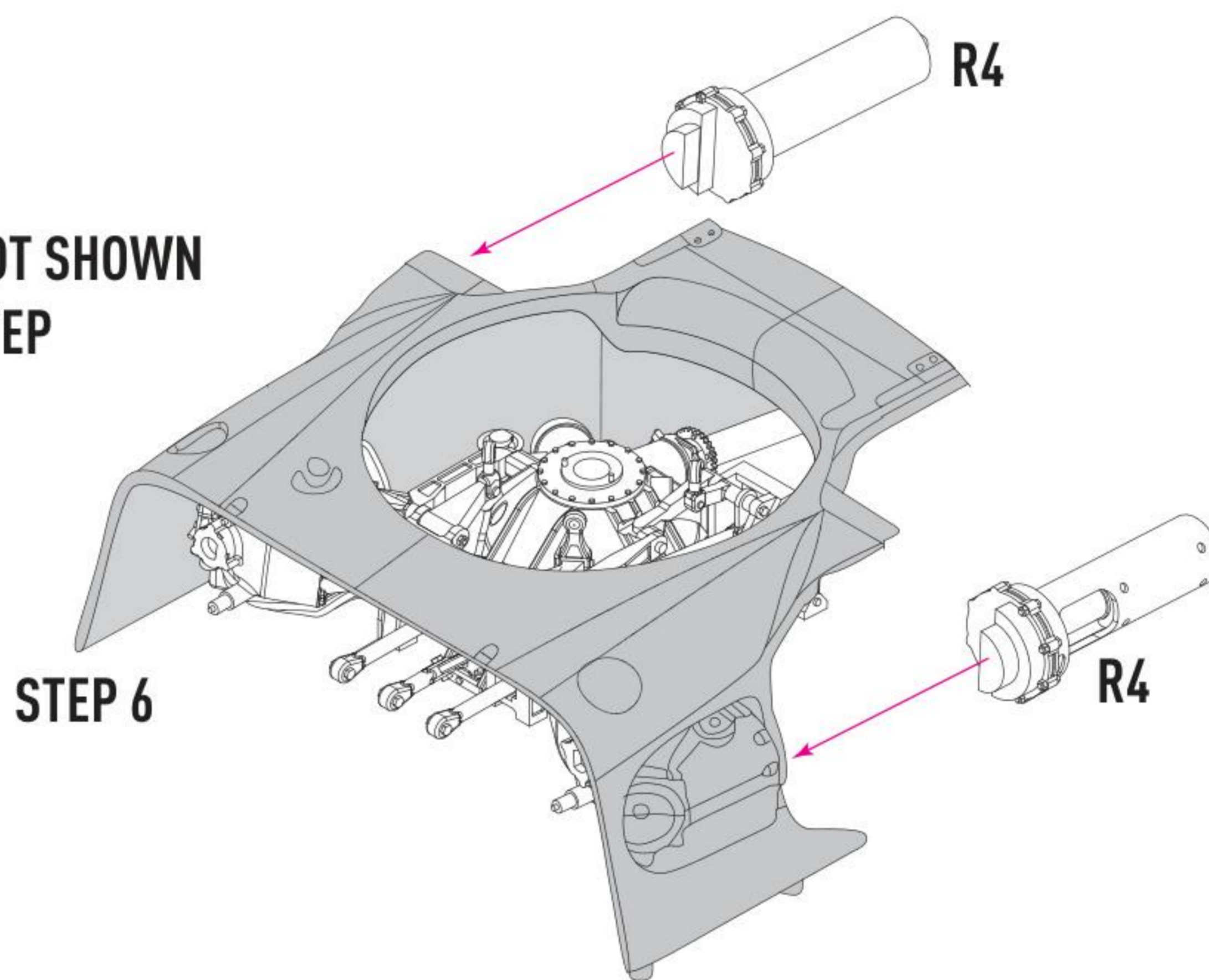


6

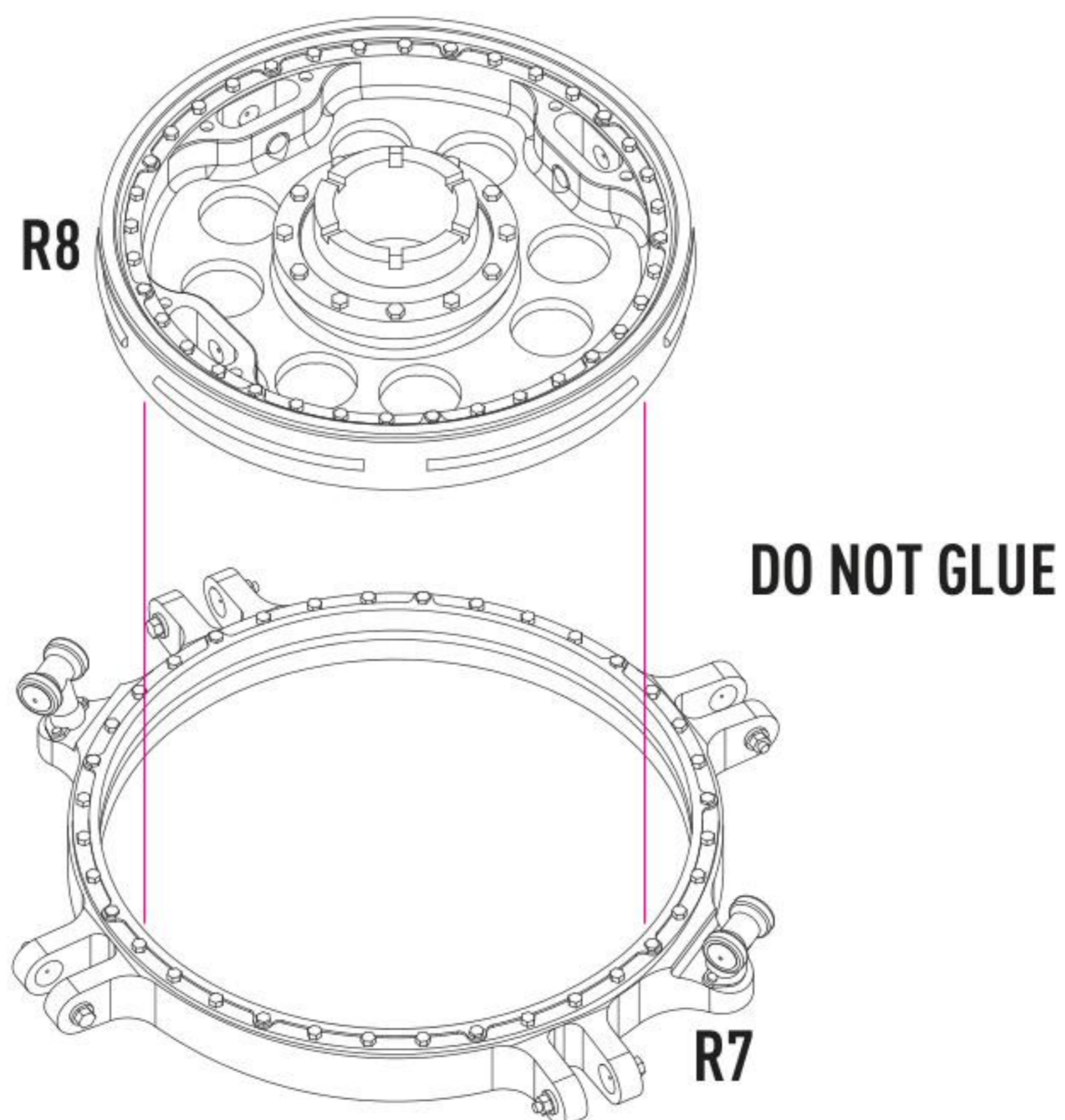


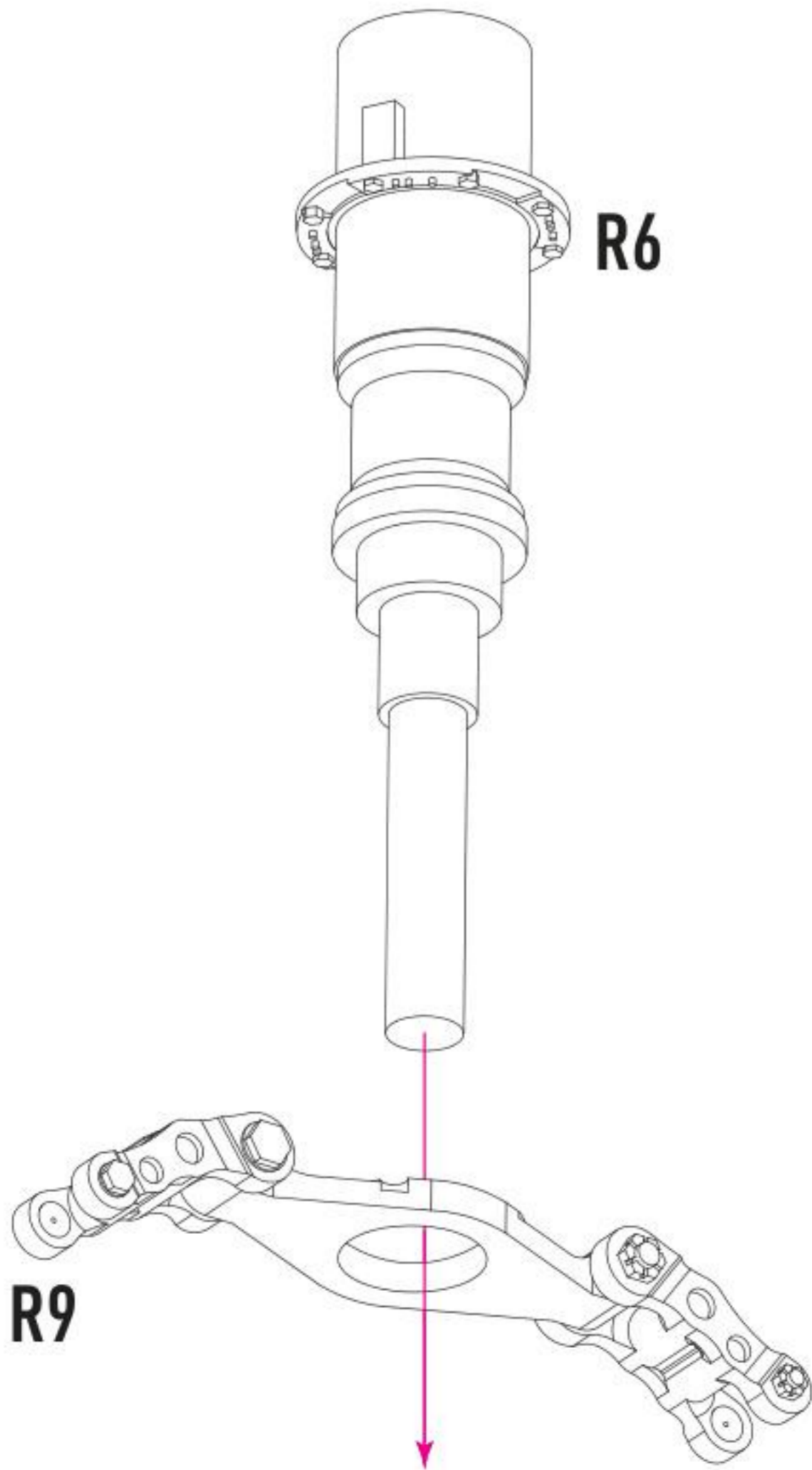
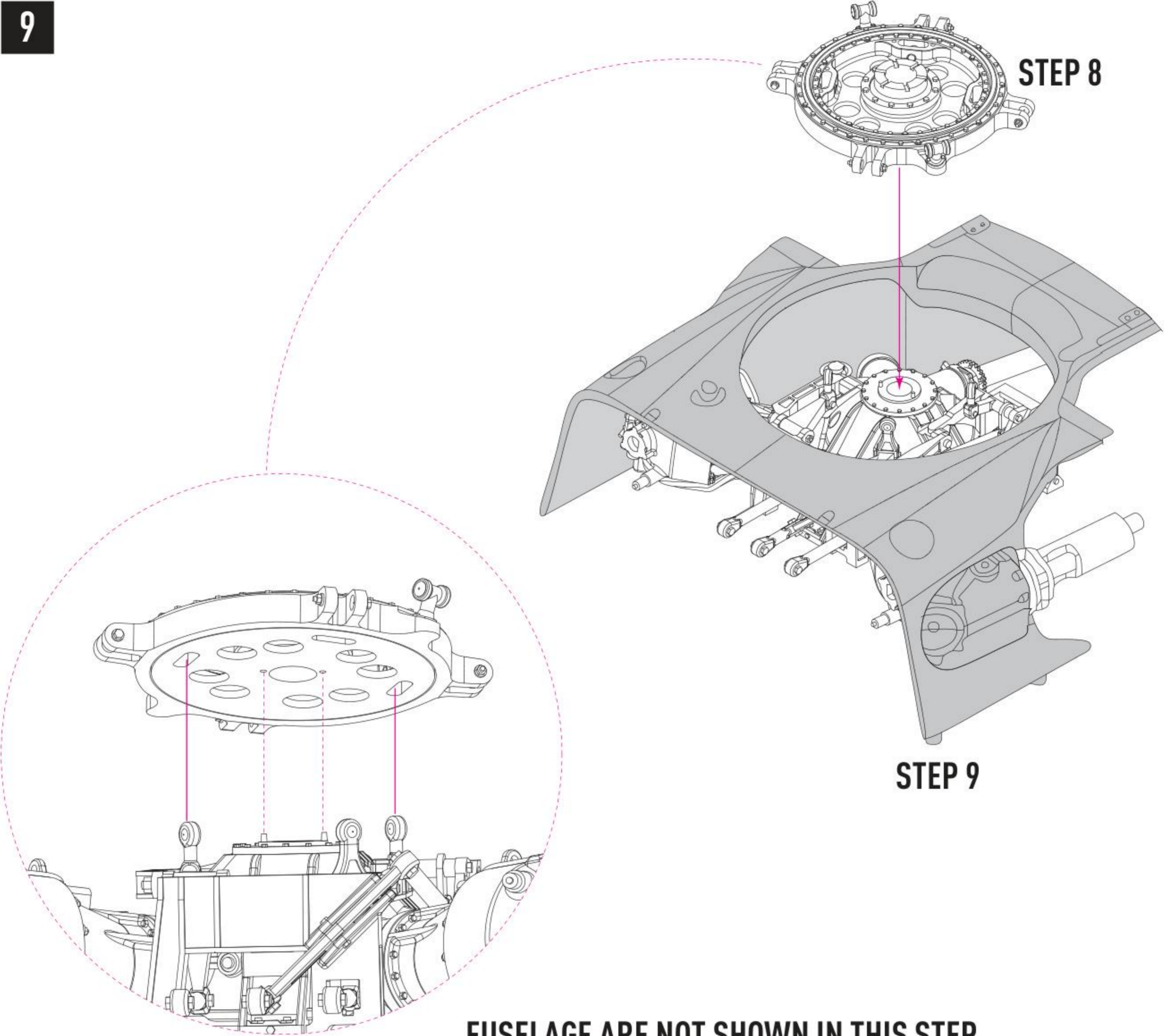
7

**FUSELAGE ARE NOT SHOWN  
IN THIS STEP**

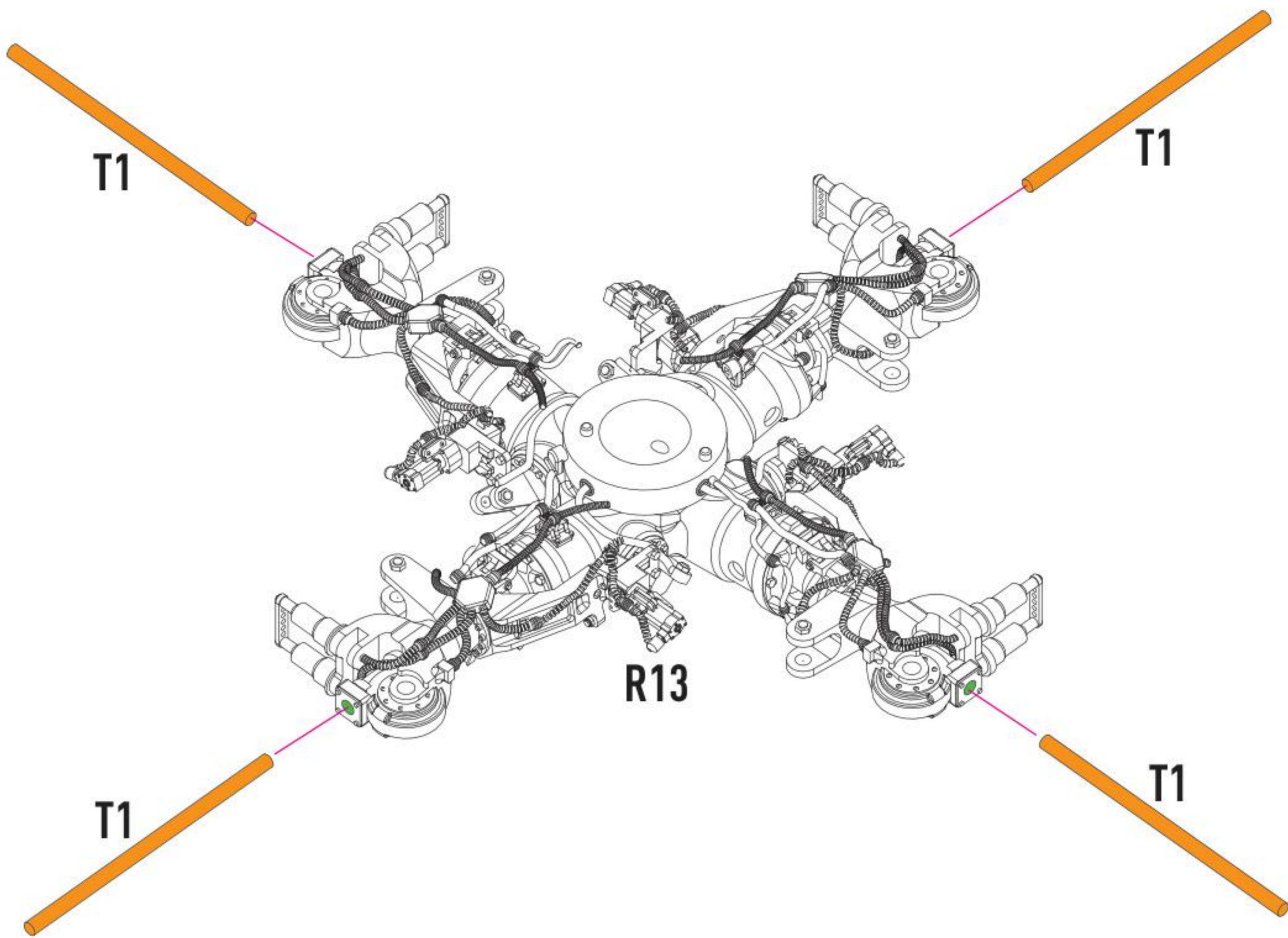


8

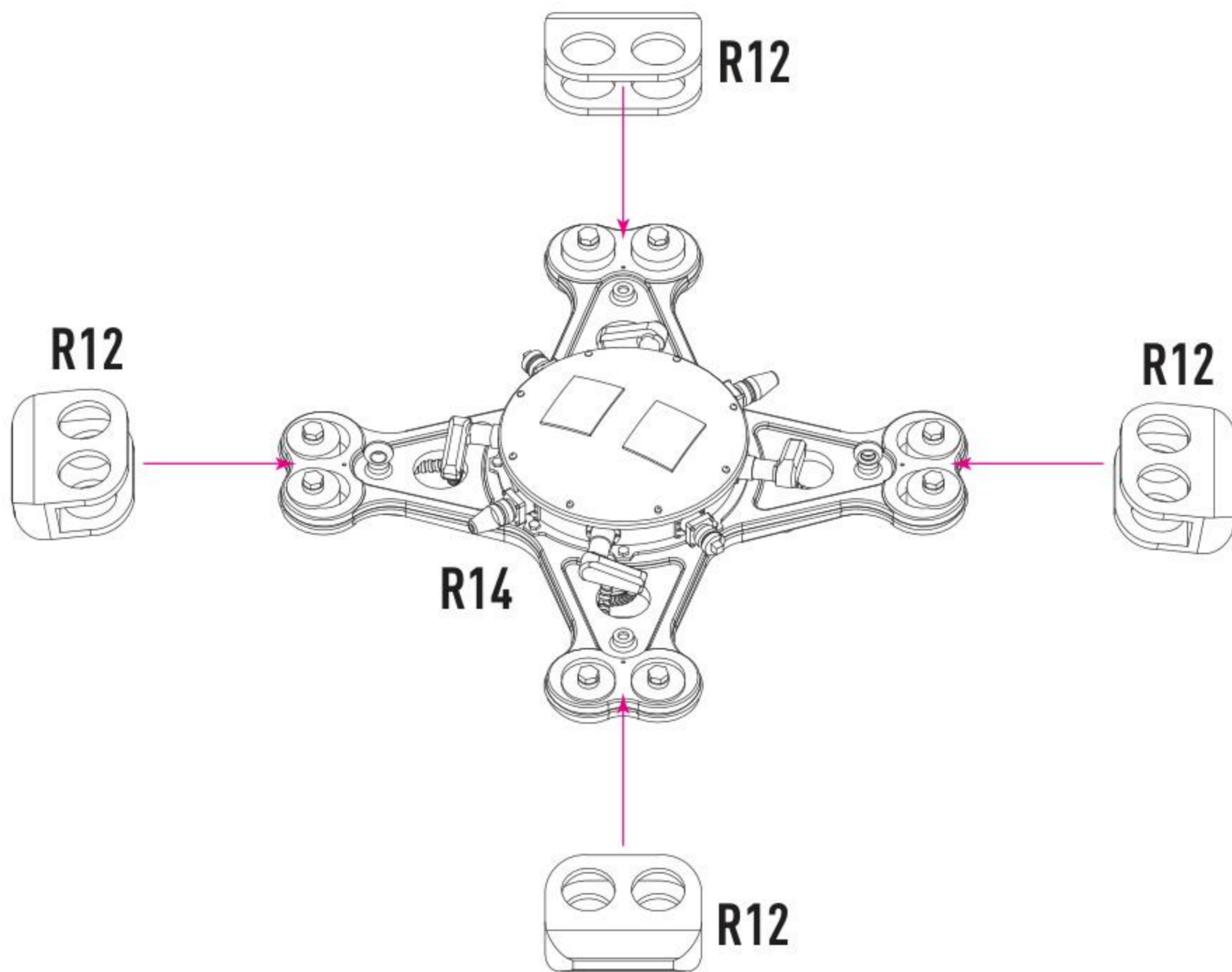




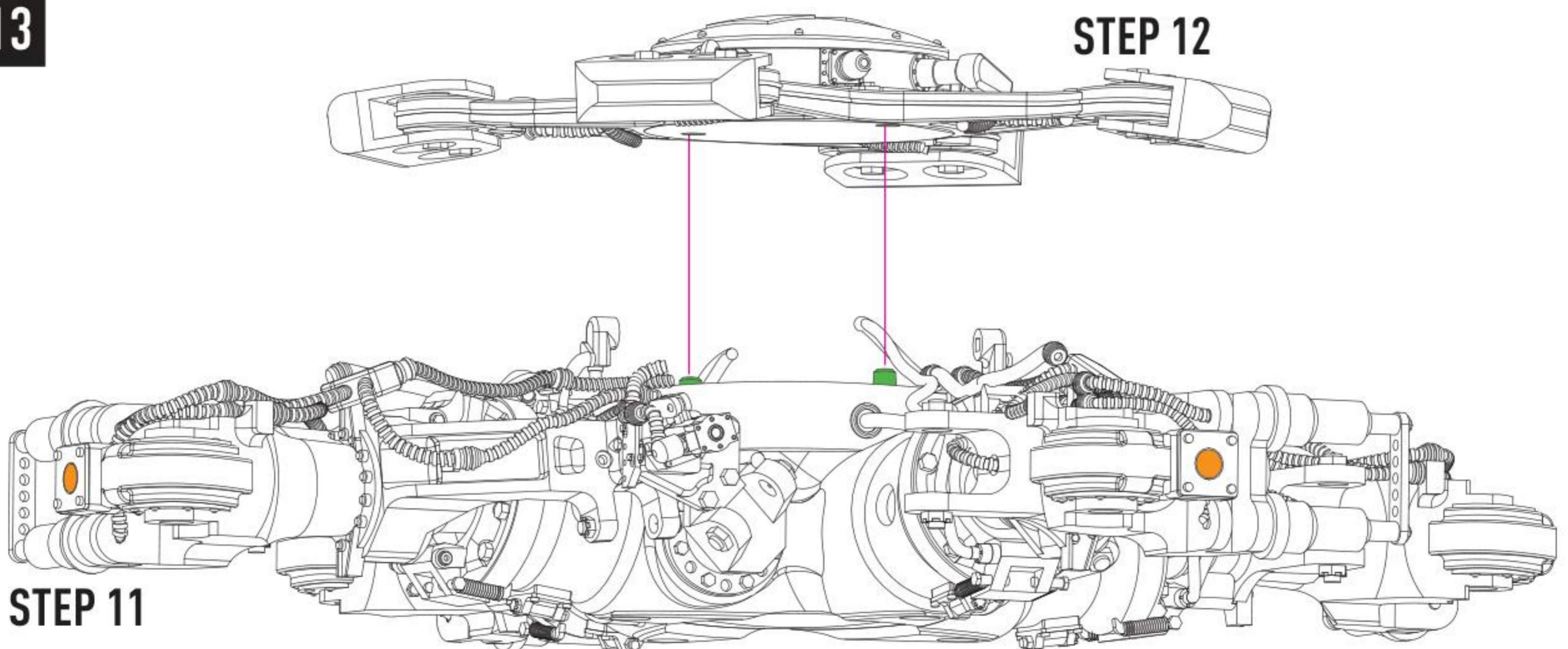
11



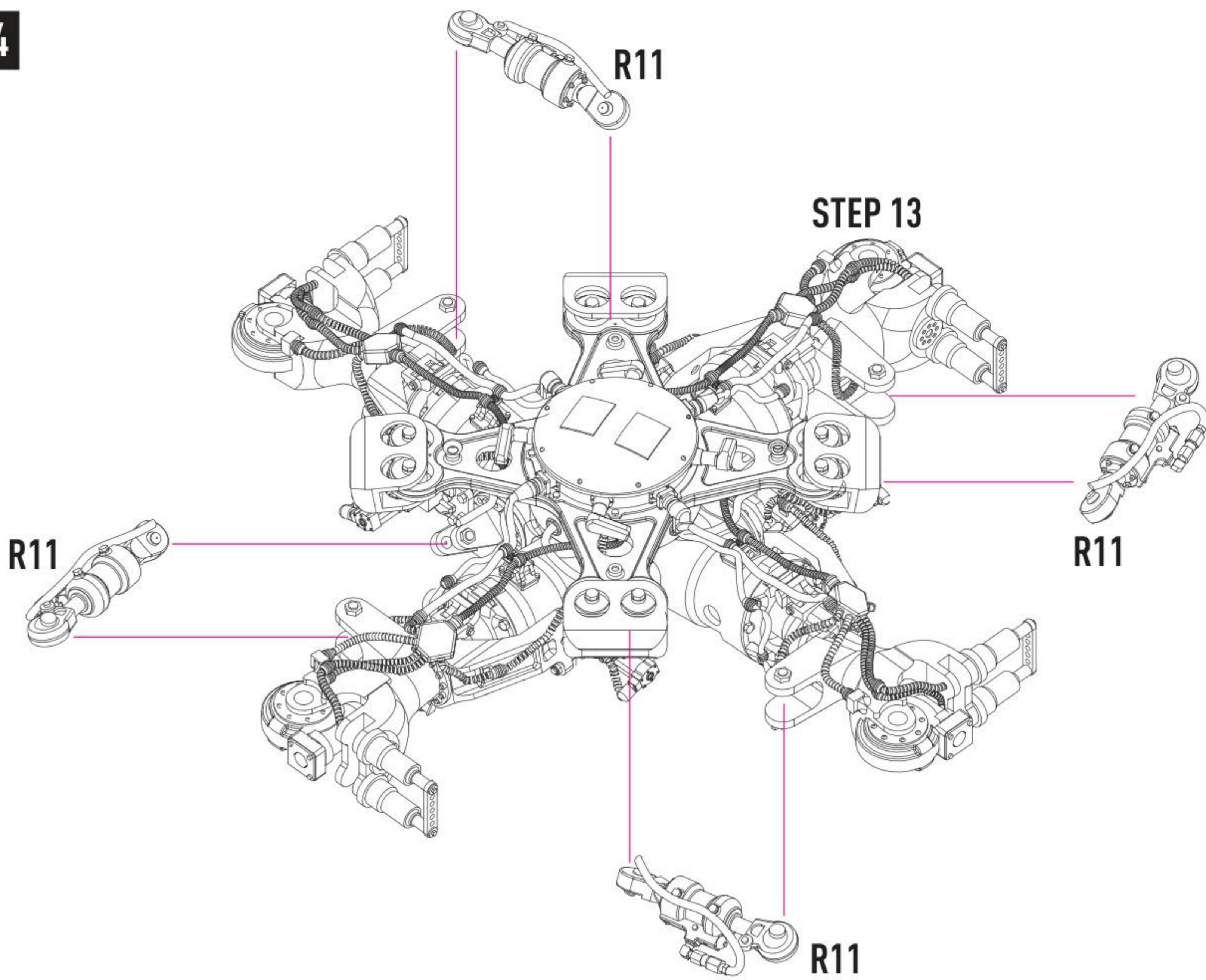
12



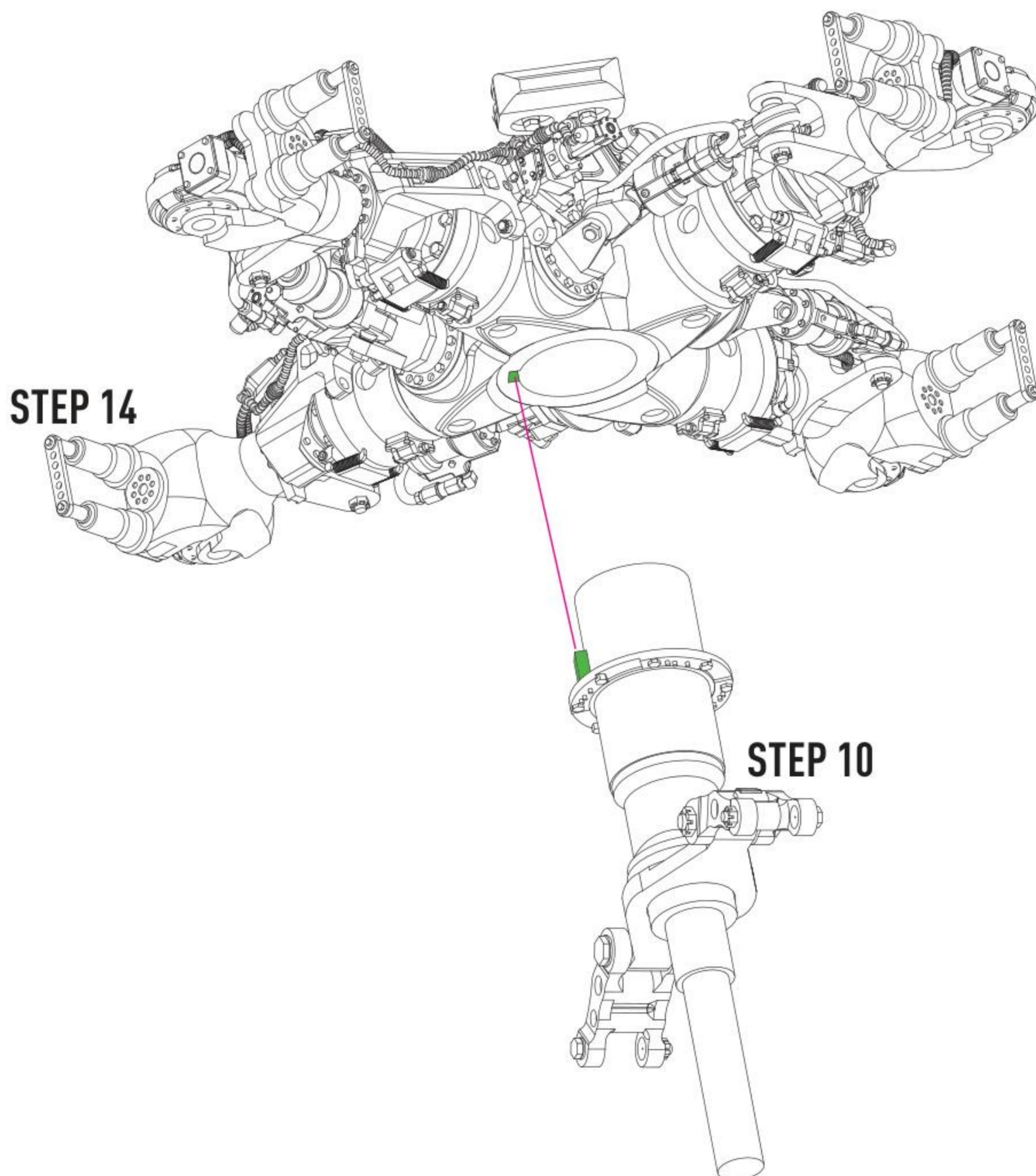
13



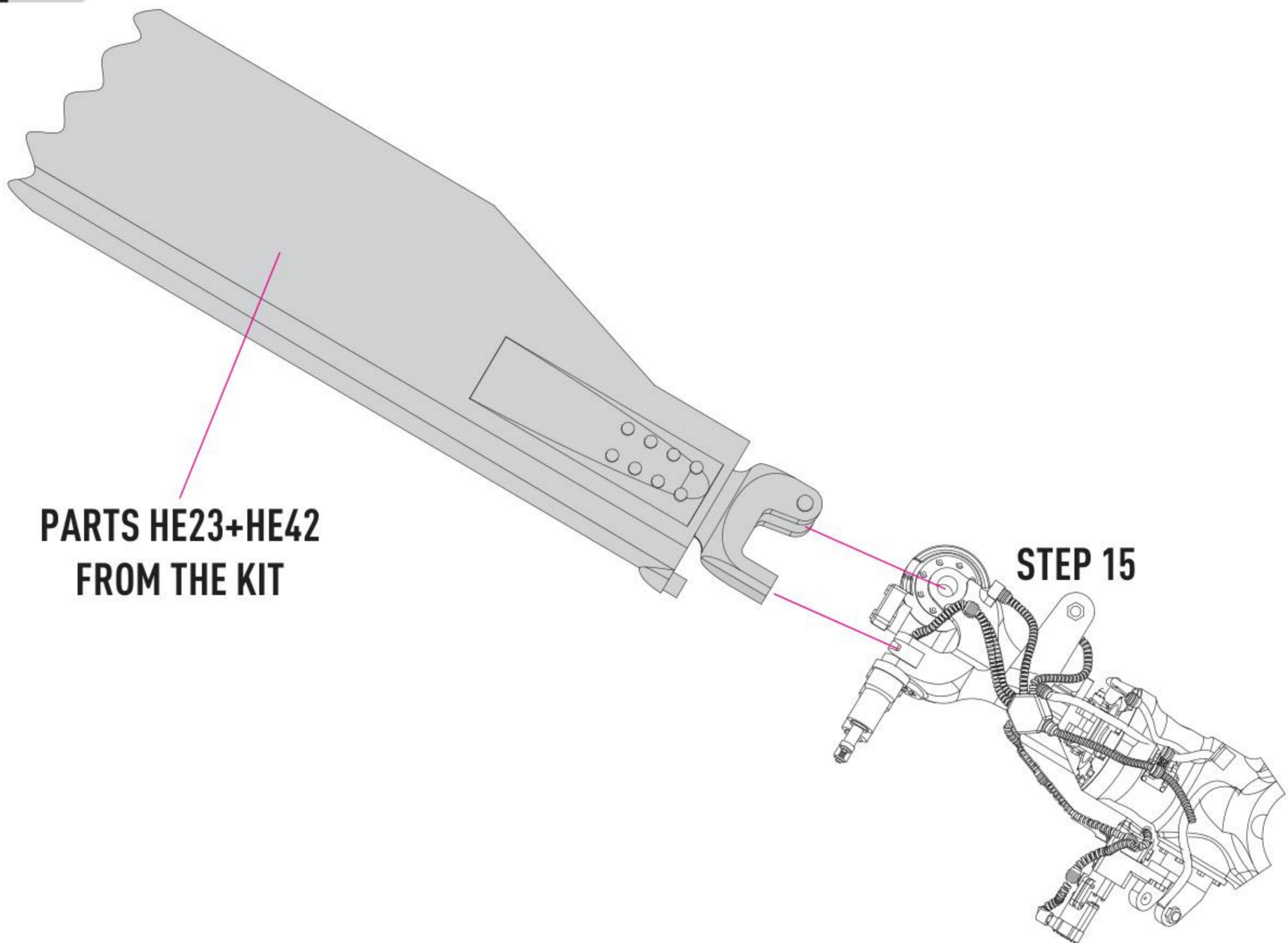
14



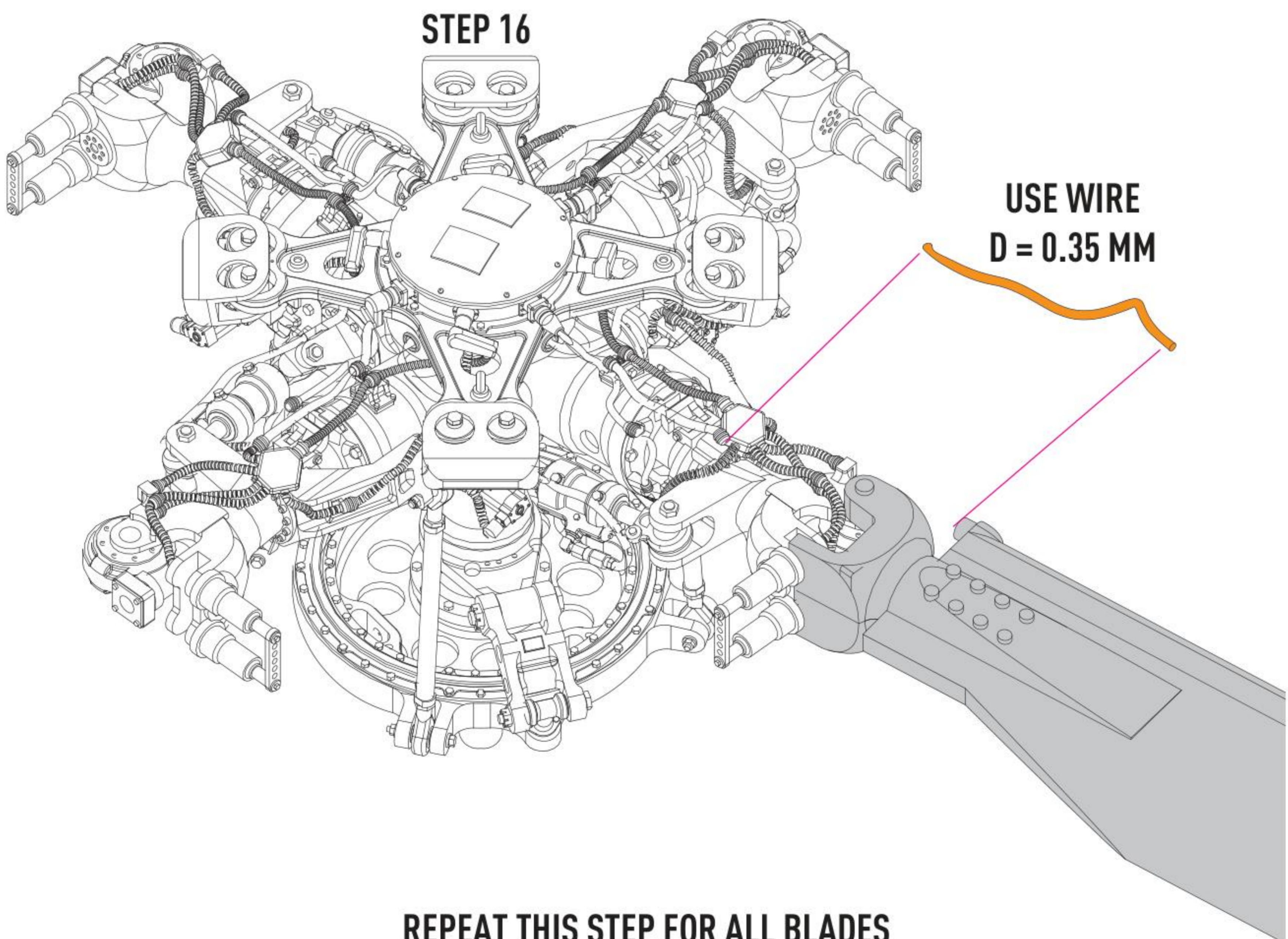
15



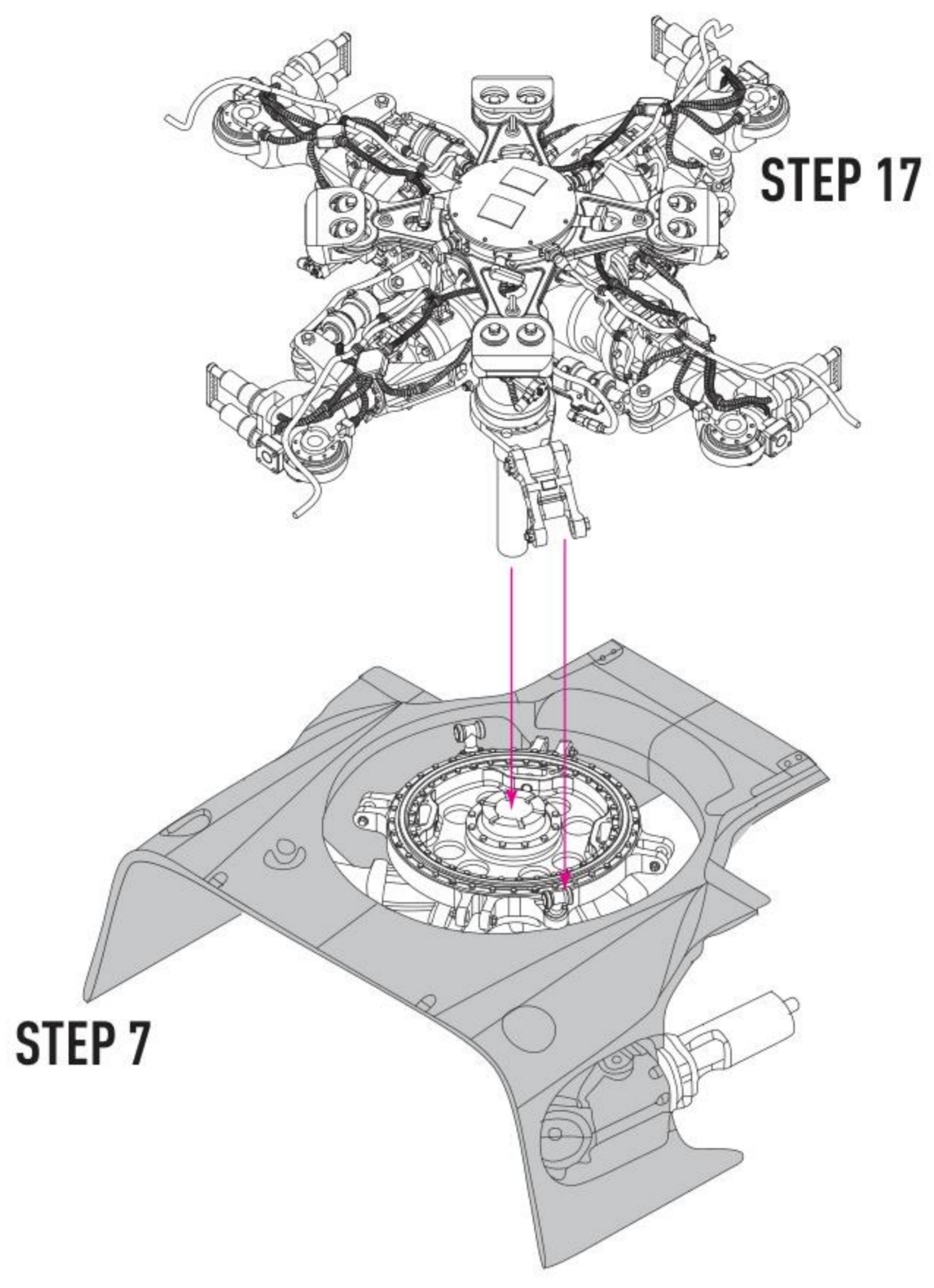
**16** X4



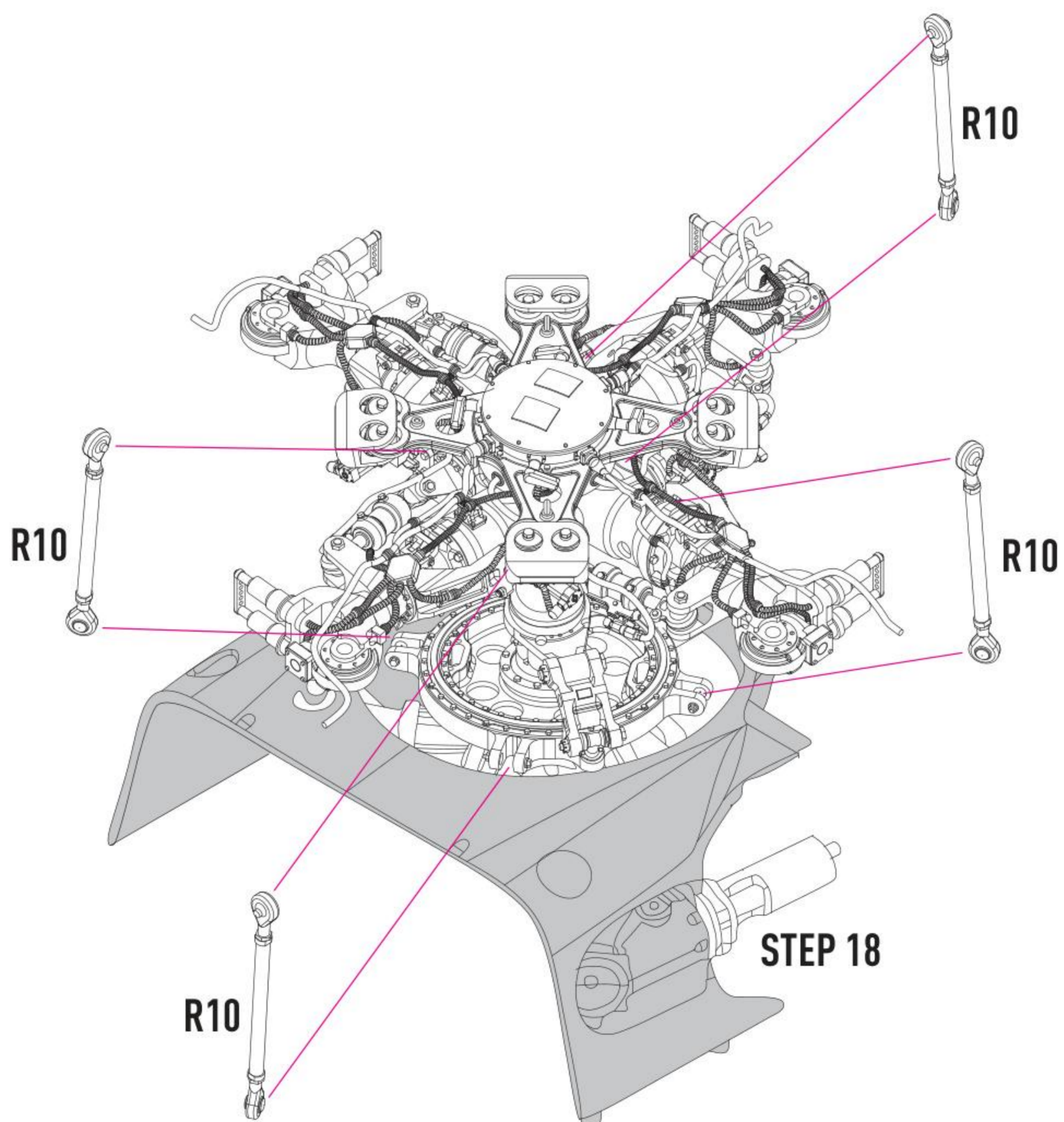
**17**



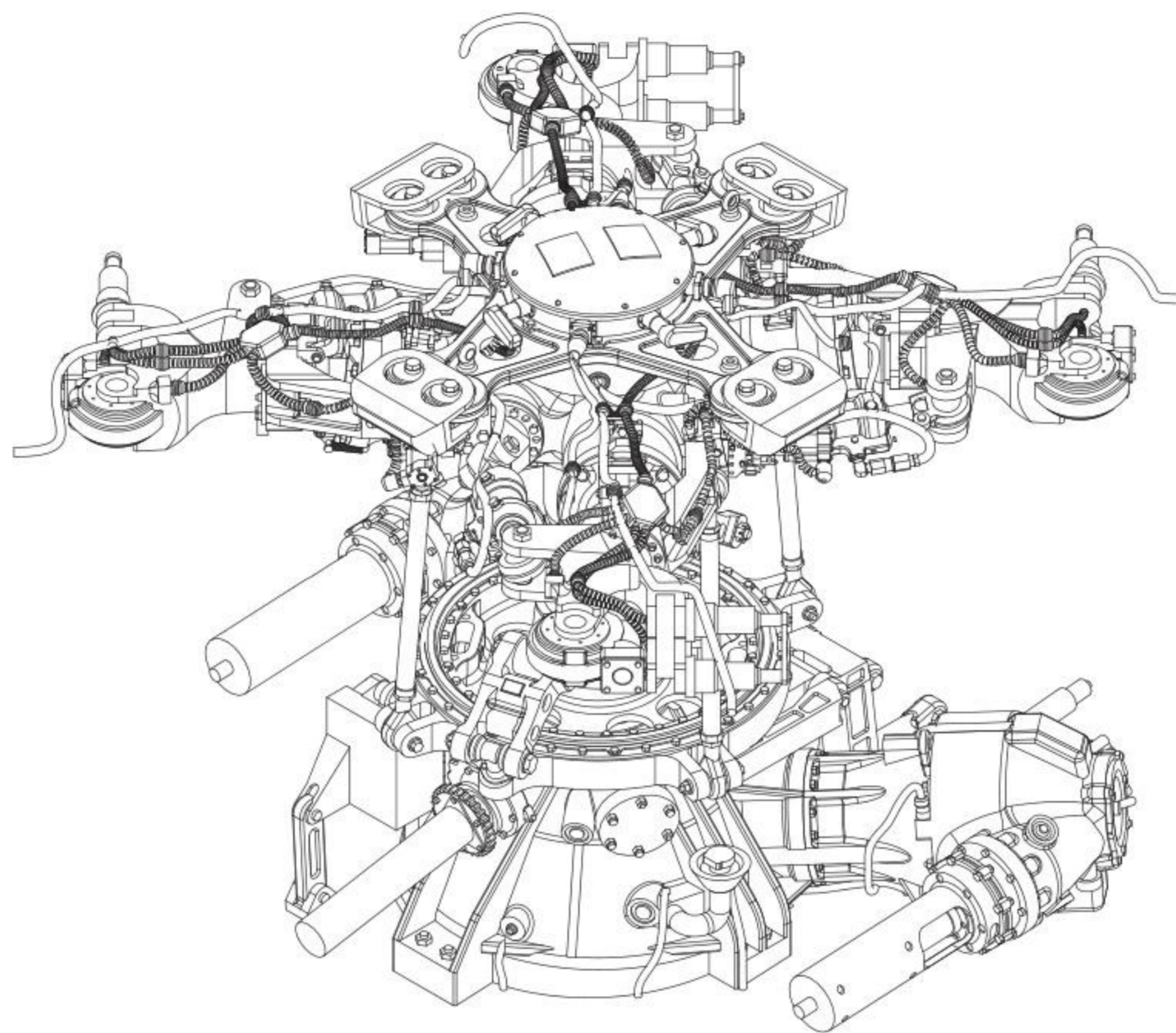
**REPEAT THIS STEP FOR ALL BLADES**



BLADE AND FUSELAGE ARE NOT SHOWN IN THIS STEP

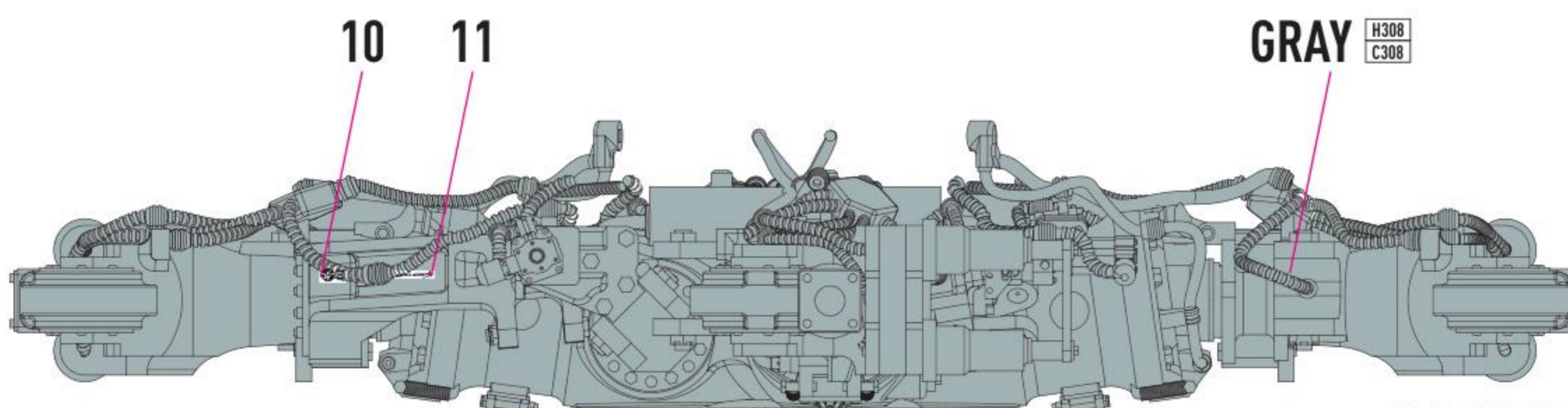
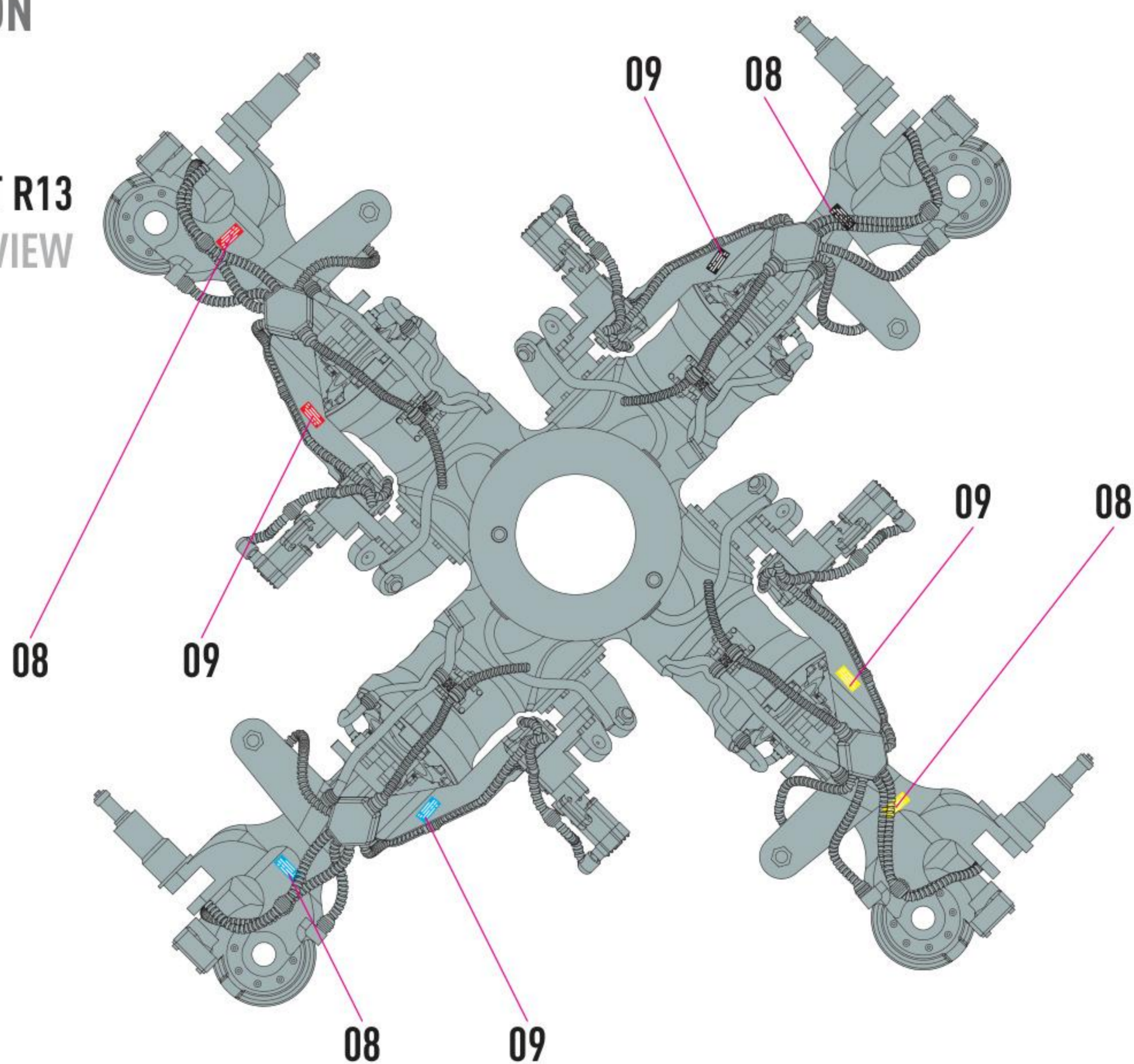


BLADE AND FUSELAGE ARE NOT SHOWN IN THIS STEP



## DECAL INSTRUCTION

**PART R13**  
TOP VIEW



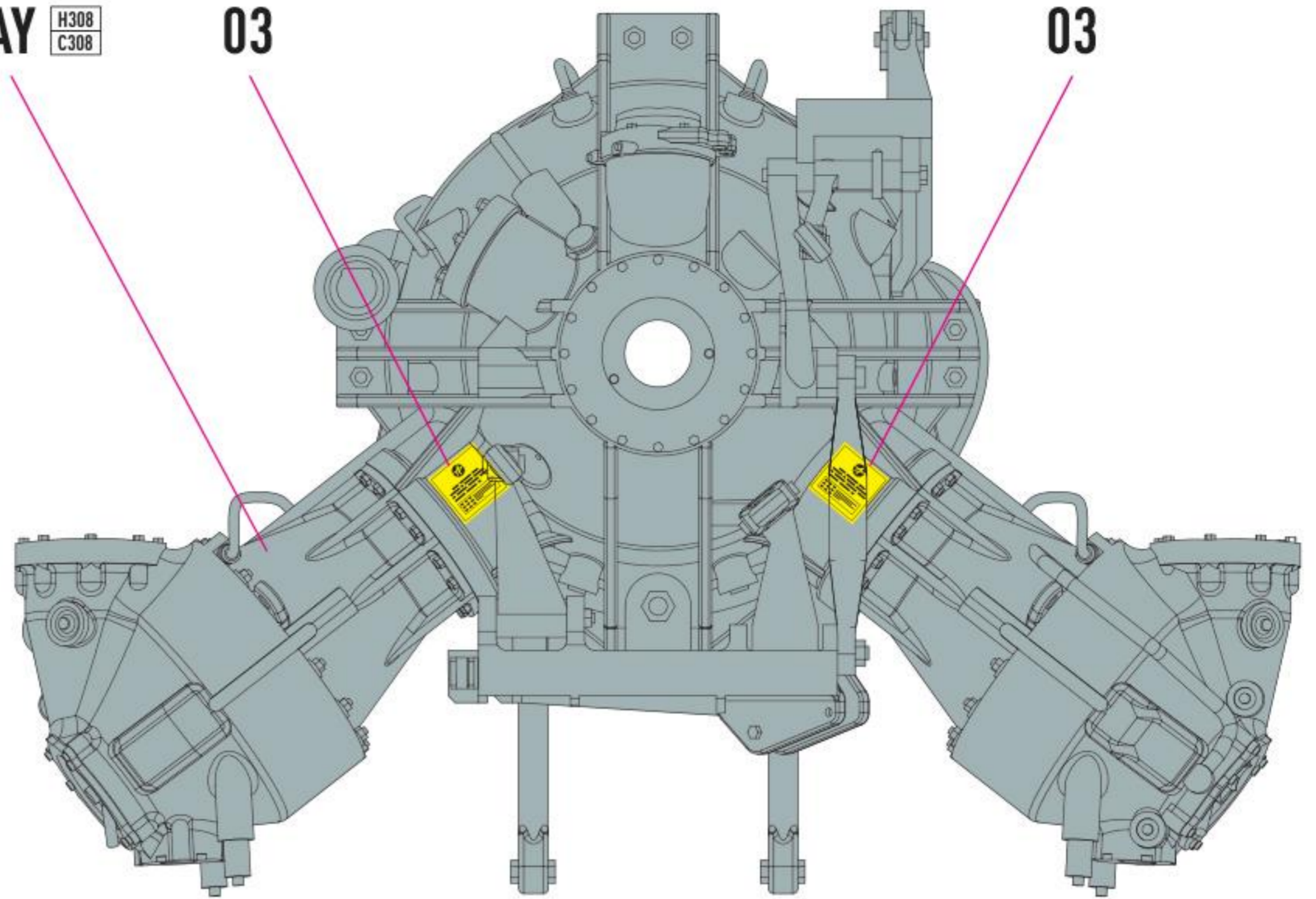
**PART R13**  
SIDE VIEW

**REPEAT FOR ALL SIDES**

GRAY H308  
C308

03

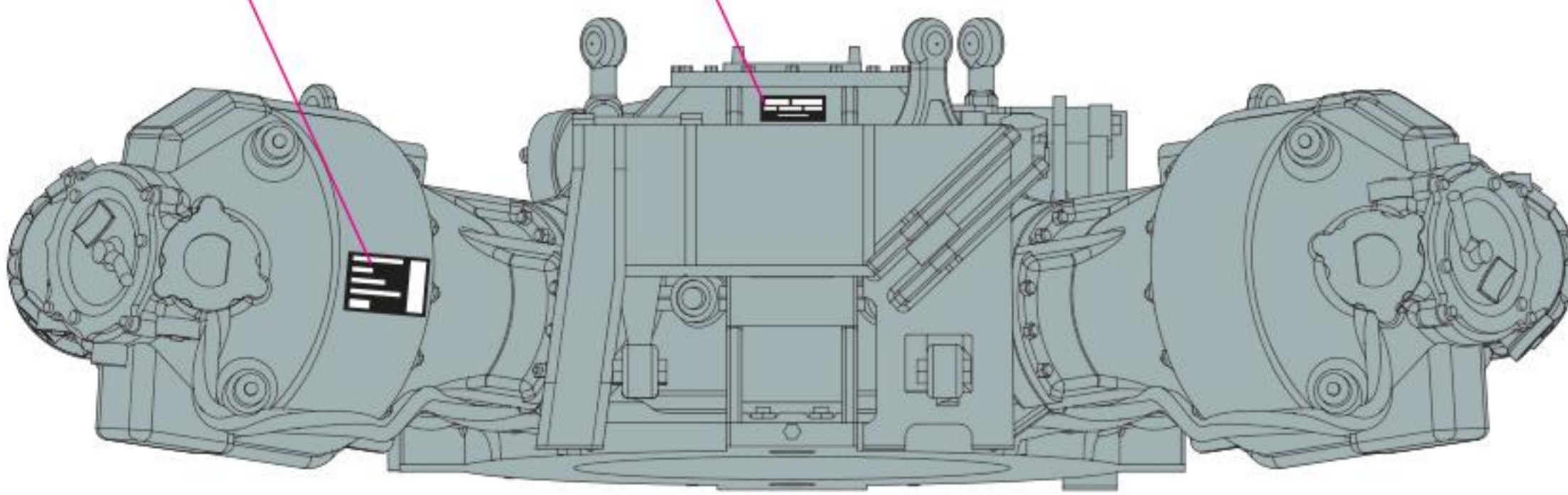
03



**PART R1**  
TOP VIEW

02

01

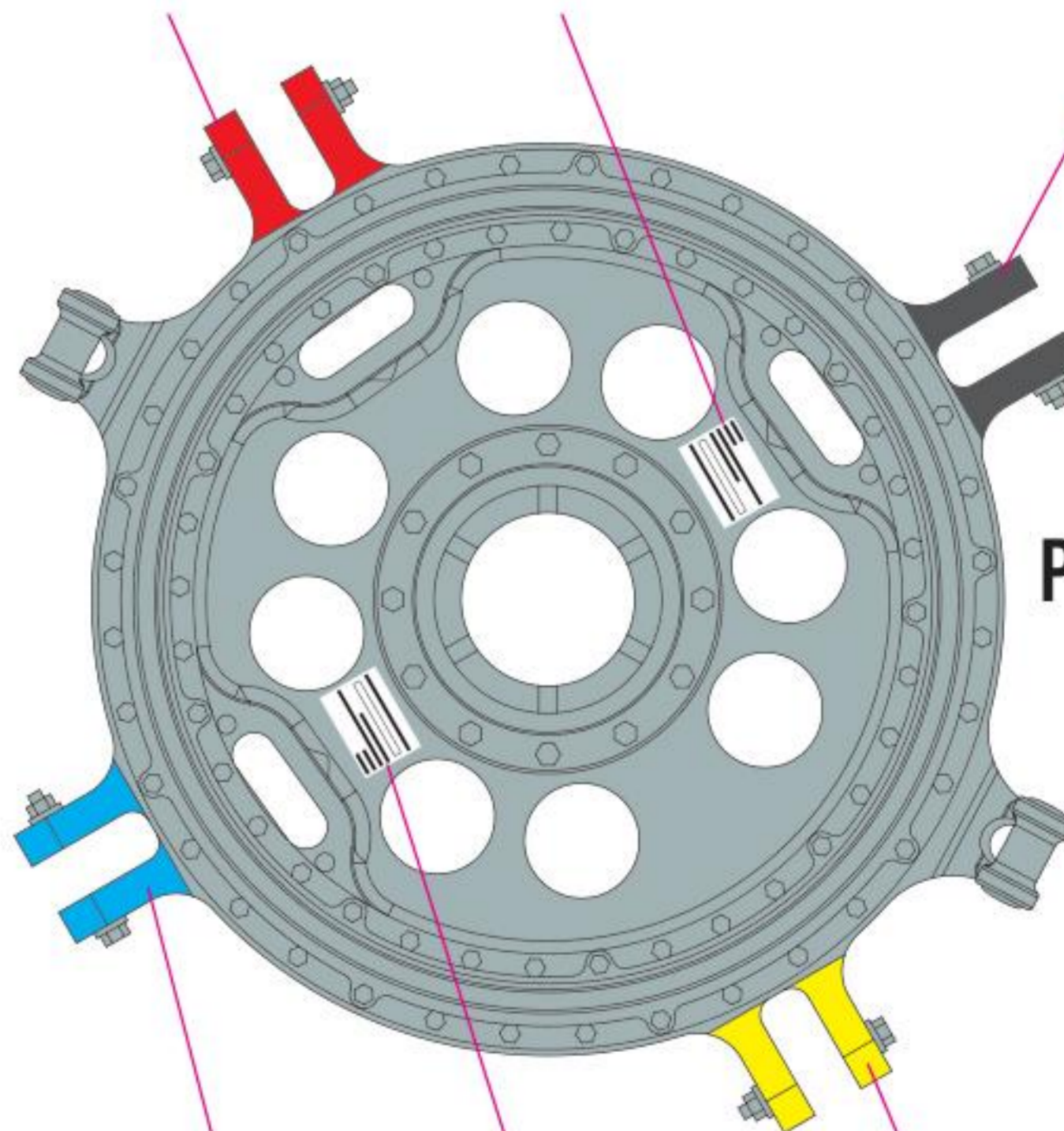


**PART R1**  
FRONT VIEW

RED H3  
C3

07

GRAY H306  
C306



**PARTS R7+R8**  
TOP VIEW

05

04

06



**PARTS R7+R8**  
FRONT VIEW

BLUE H25  
C35

07

YELLOW H4  
C4

## PAINT INSTRUCTION

COLORS	GUNZE / AQUEOUS	GUNZE / MR.COLOR
GRAY	H308	C308

COLORS	GUNZE / AQUEOUS	GUNZE / MR.COLOR
BLUE	H25	C35
YELLOW	H4	C4

COLORS	GUNZE / AQUEOUS	GUNZE / MR.COLOR
GRAY	H306	C306
RED	H3	C3

general issues: [info@reskit.com.ua](mailto:info@reskit.com.ua) / claim resolution: [claims@reskit.com.ua](mailto:claims@reskit.com.ua)

**RESKIT-MODELS.COM**

[fb.com/reskit.official](https://www.facebook.com/reskit.official)

[instagram.com/reskit\\_official](https://www.instagram.com/reskit_official)

[youtube.com/@reskit-usmd](https://www.youtube.com/@reskit-usmd)

**YOU CAN FIND INSTRUCTIONS  
IN PDF FORMAT ON THE WEBSITE**

**RESKIT-MODELS.COM**

**General Issues: [info@reskit.com.ua](mailto:info@reskit.com.ua)**

**Wholesales: [sales@reskit.com.ua](mailto:sales@reskit.com.ua)**

**Claim Resolution: [claims@reskit.com.ua](mailto:claims@reskit.com.ua)**