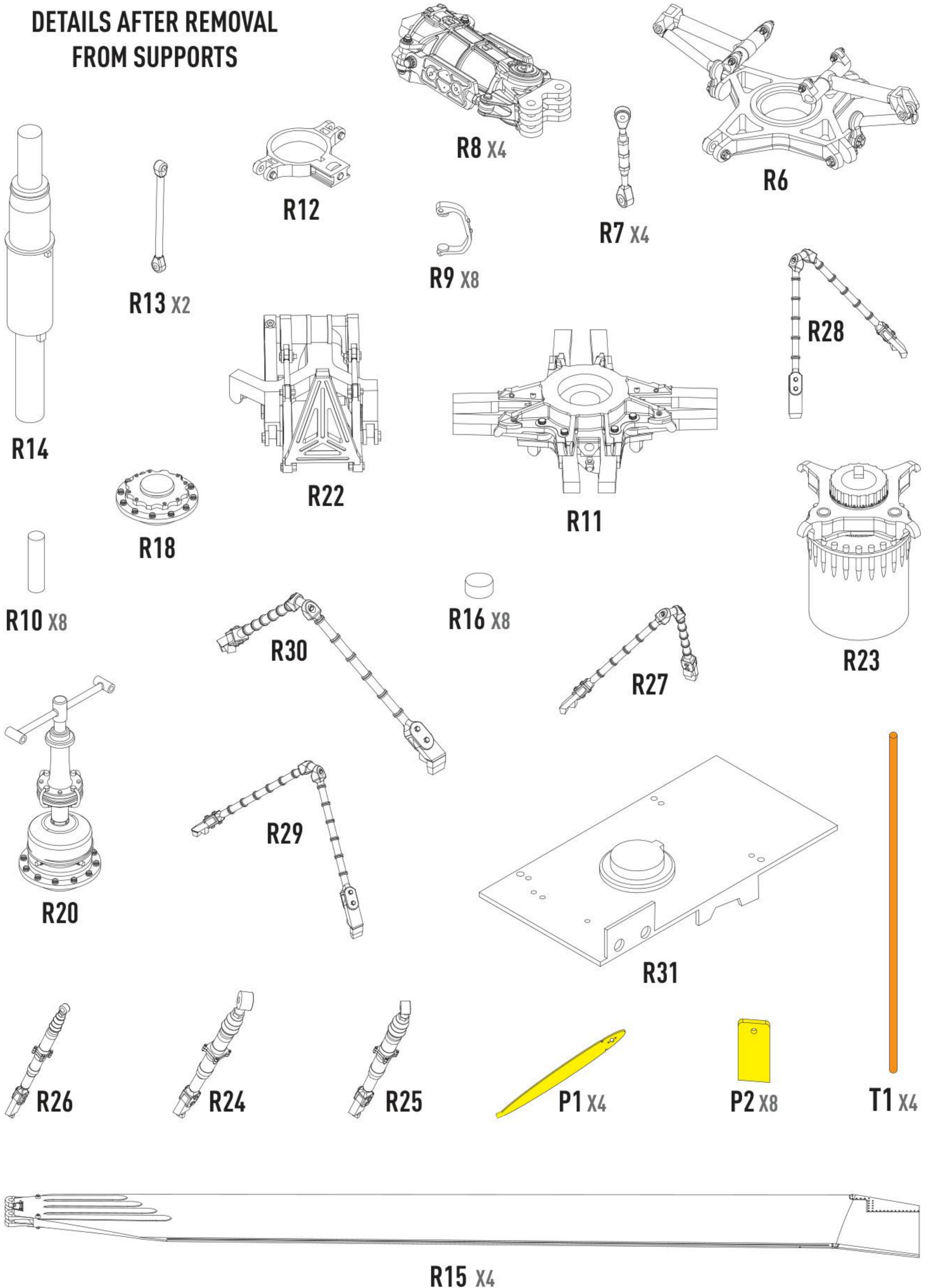
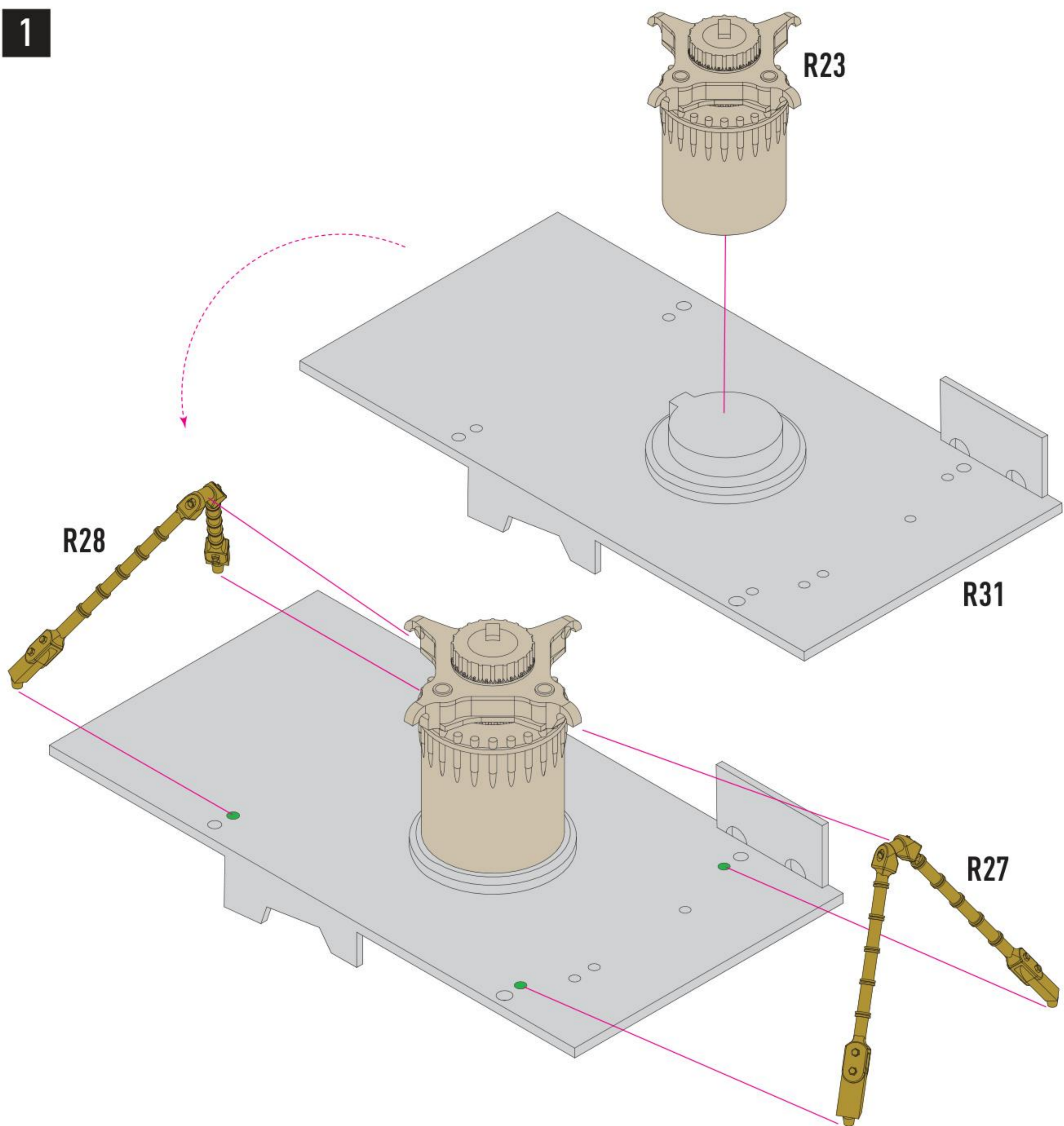


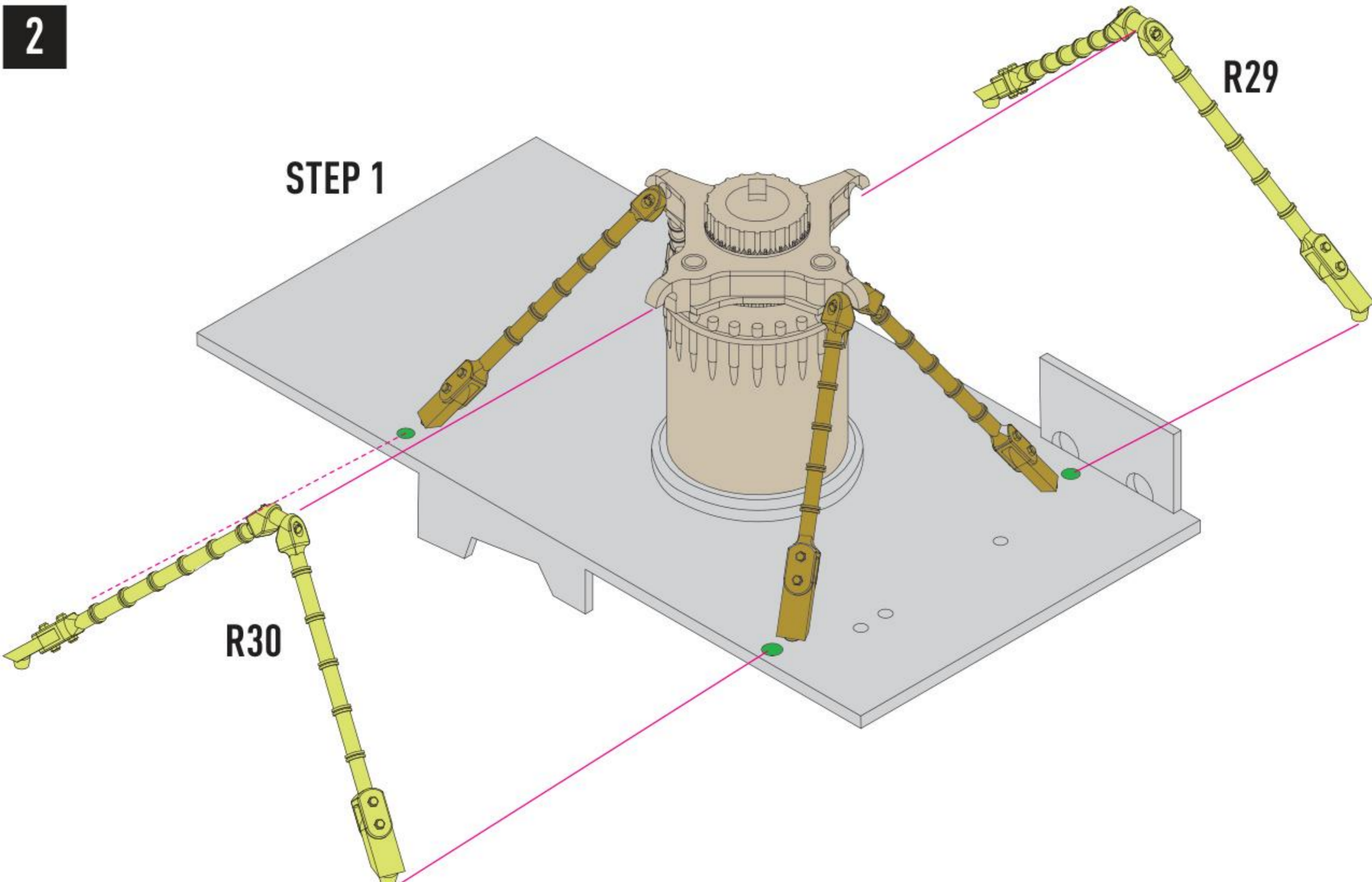
DETAILS AFTER REMOVAL FROM SUPPORTS



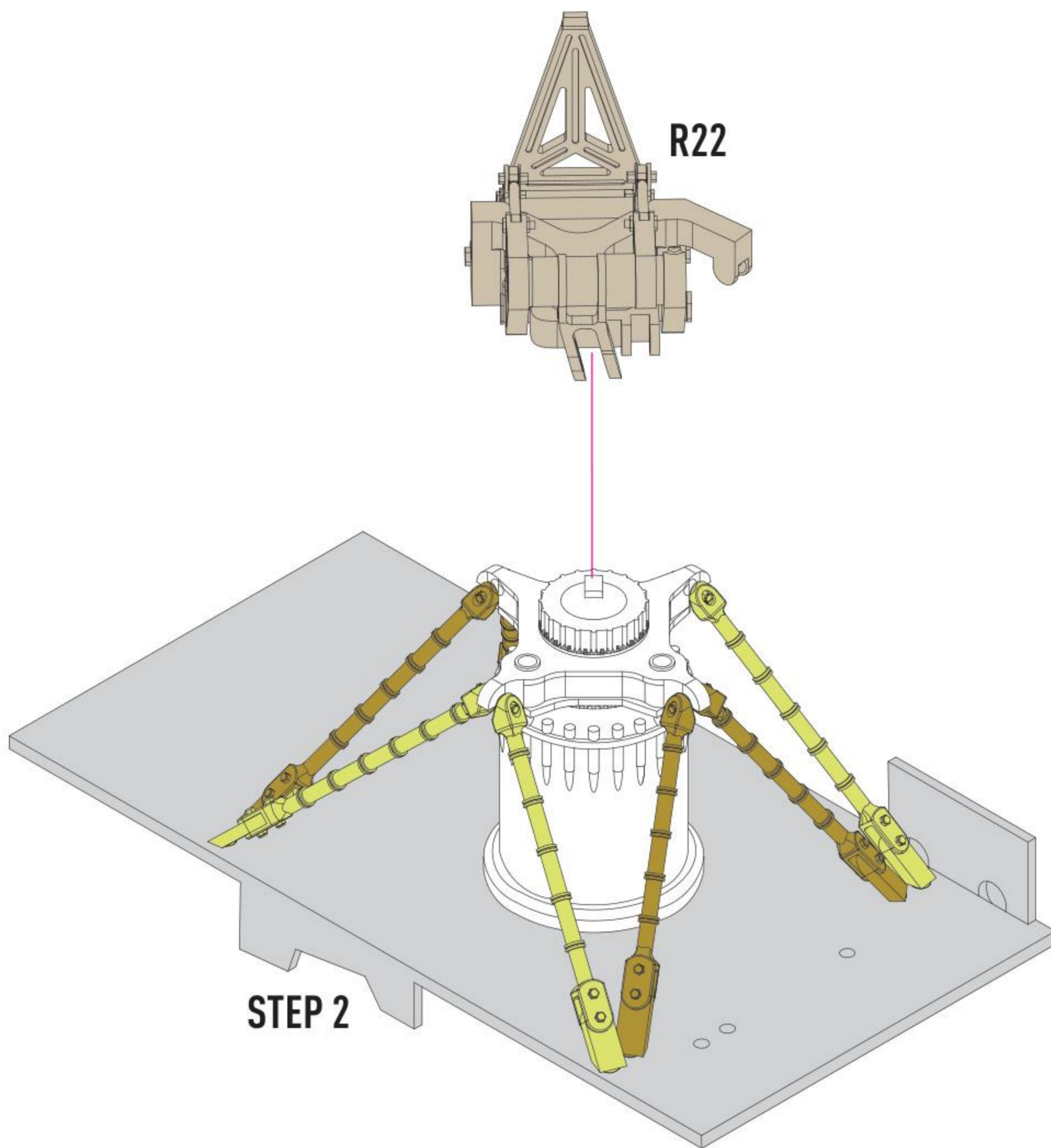
1



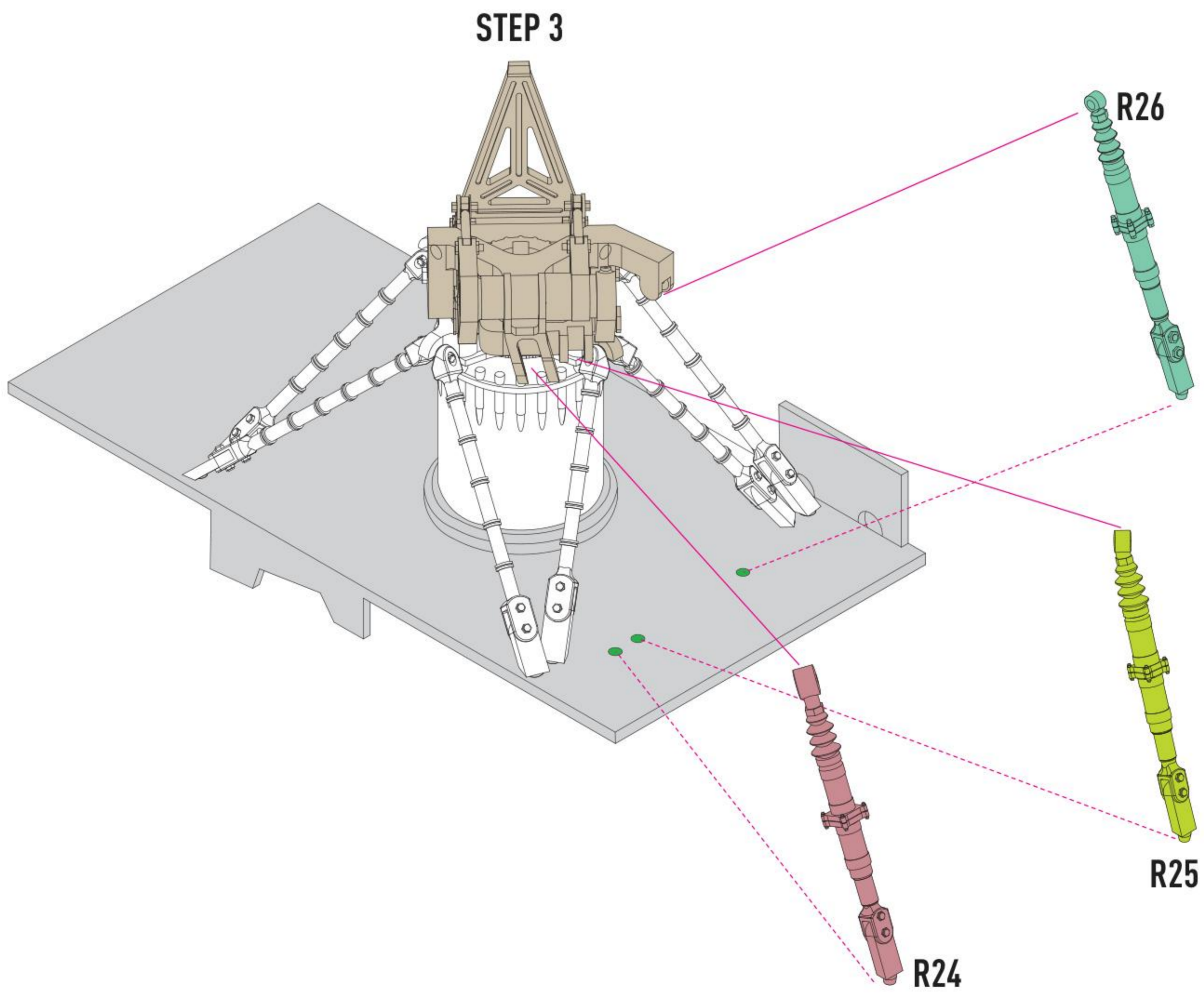
2



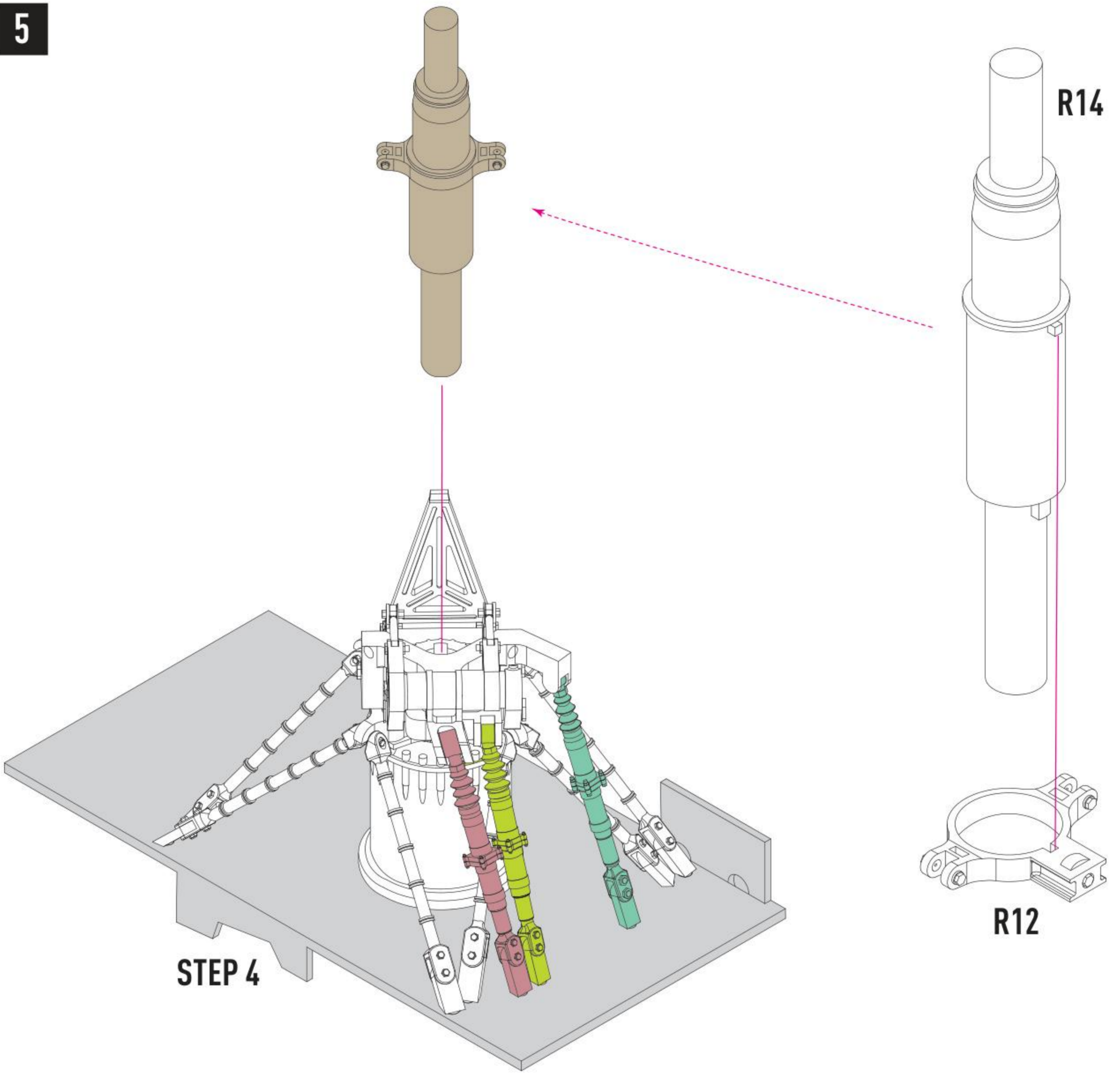
3



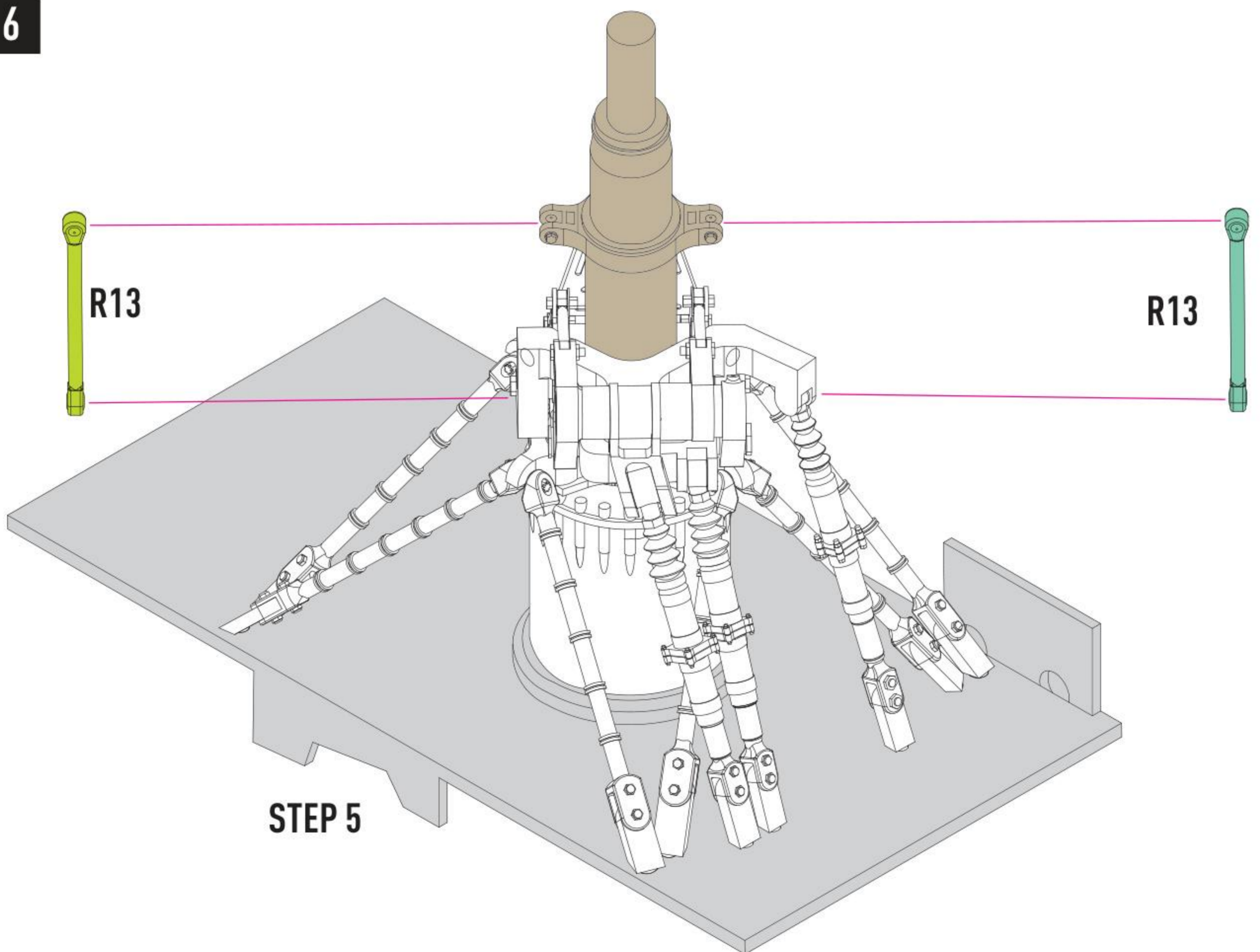
4



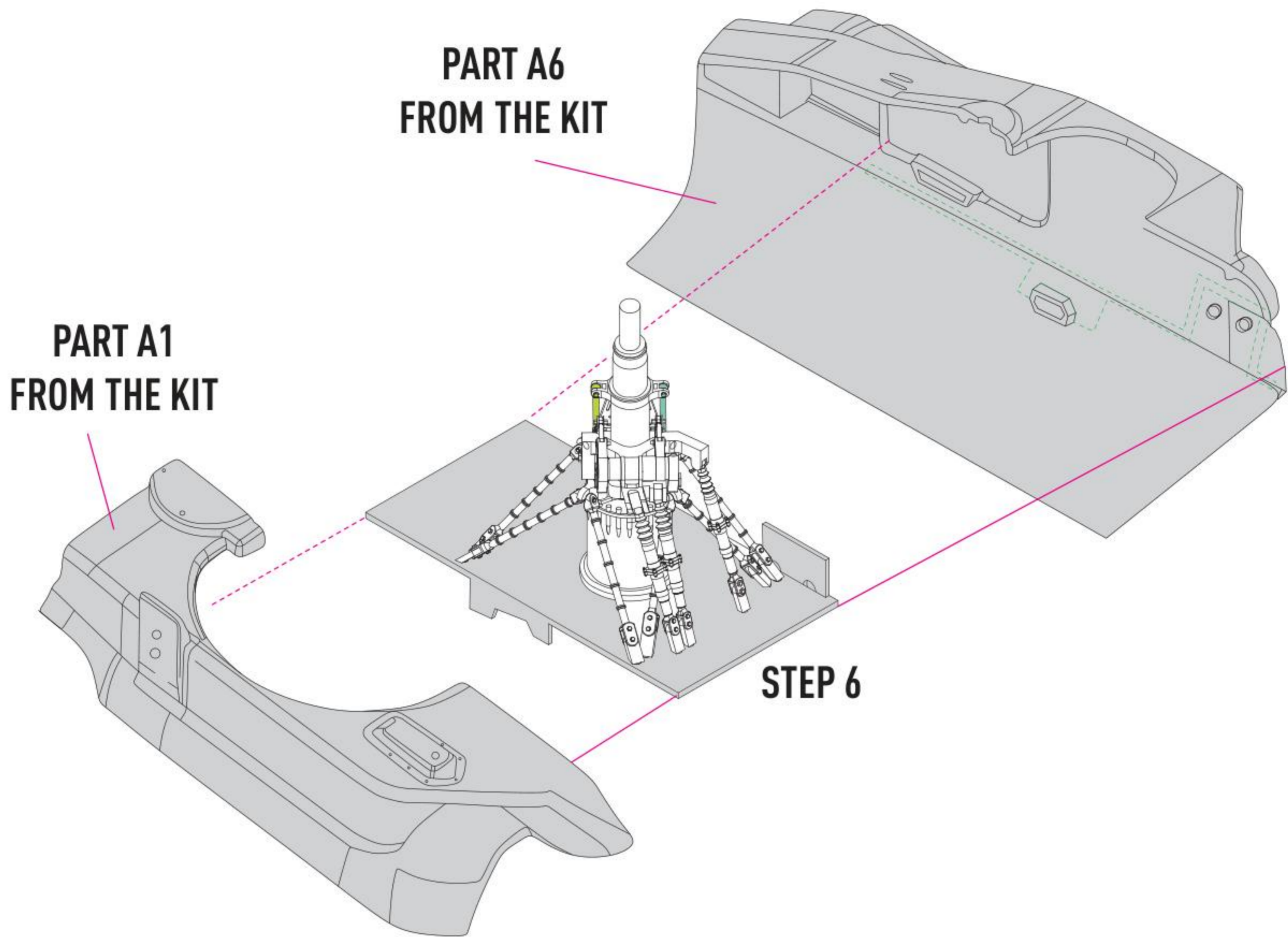
5



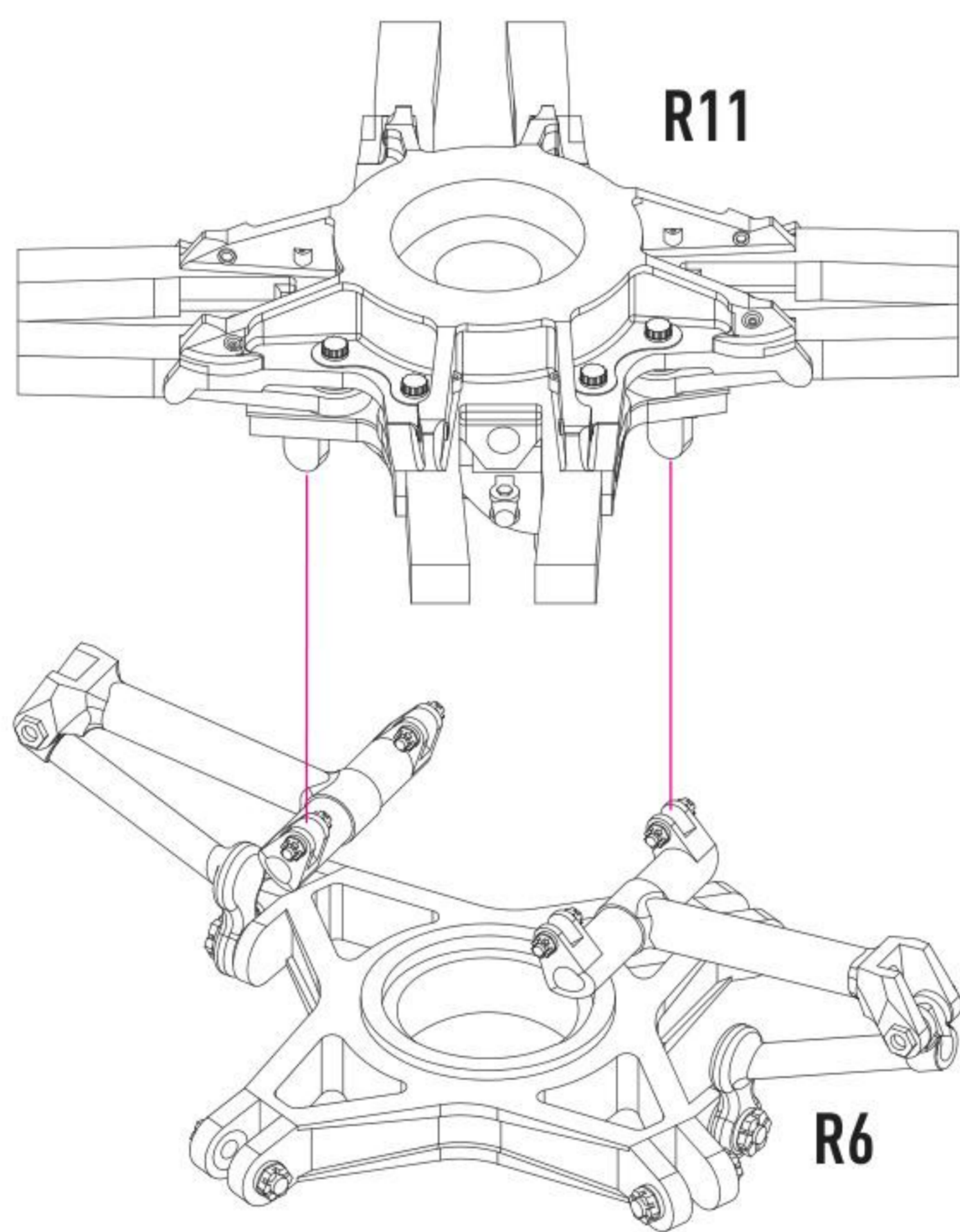
6



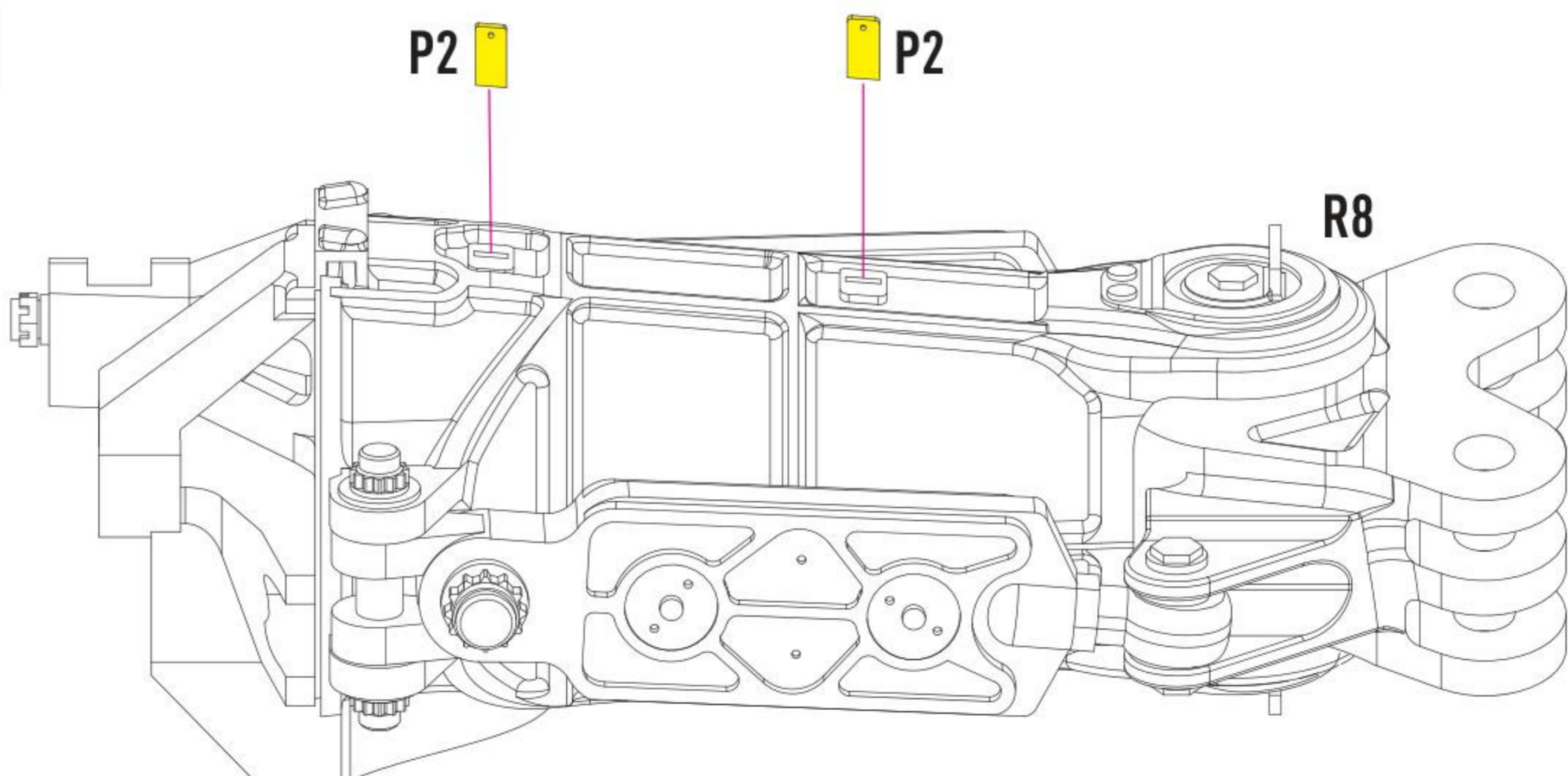
7



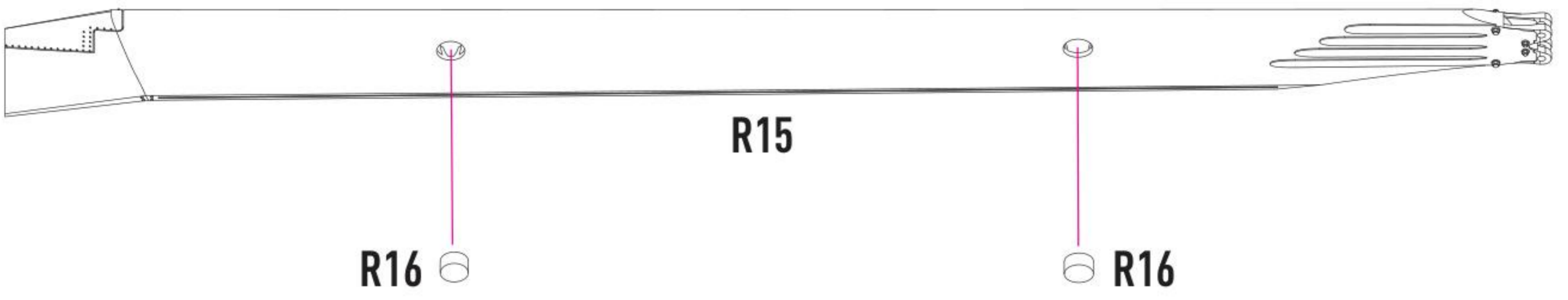
8



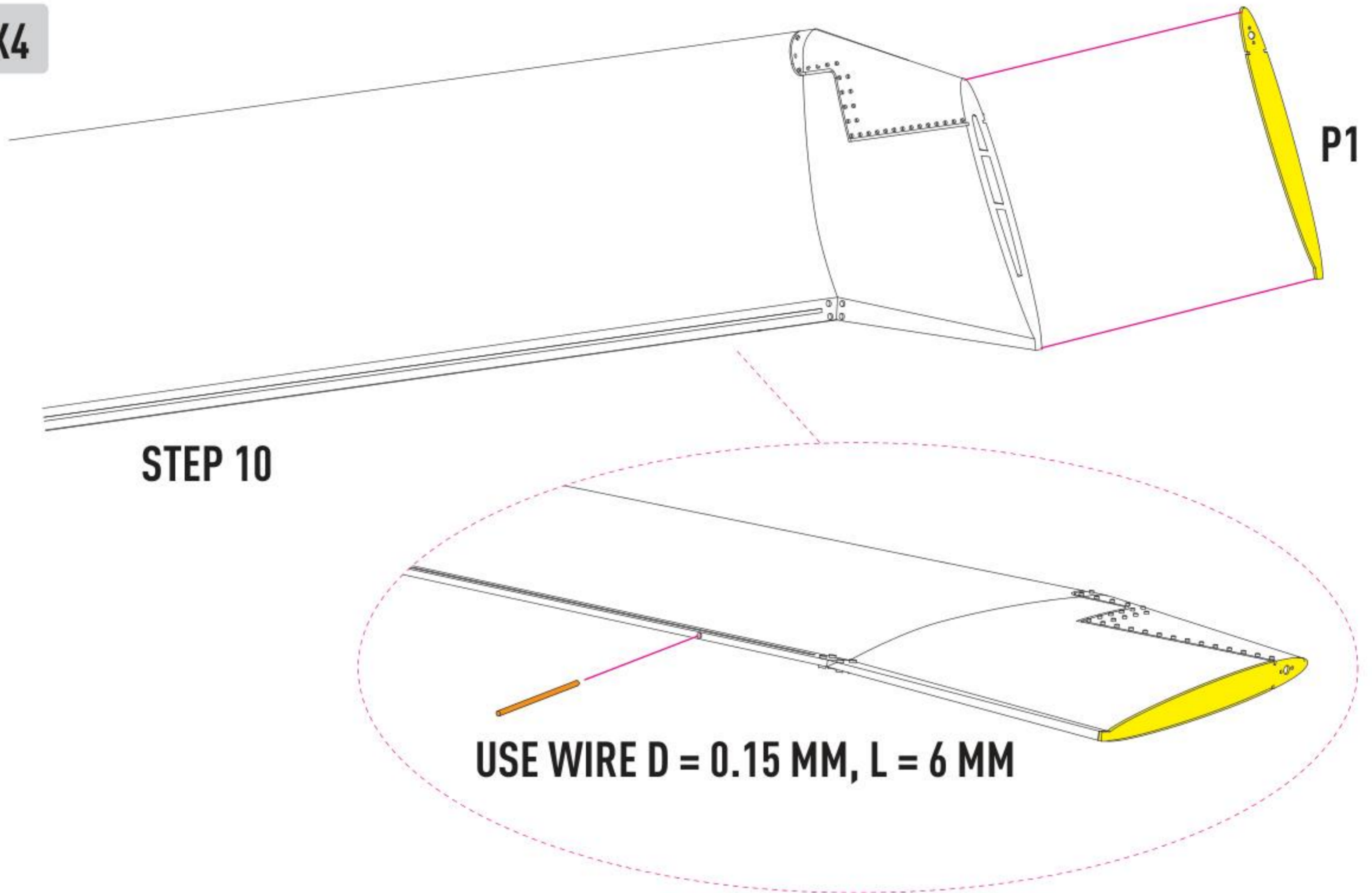
9 X4



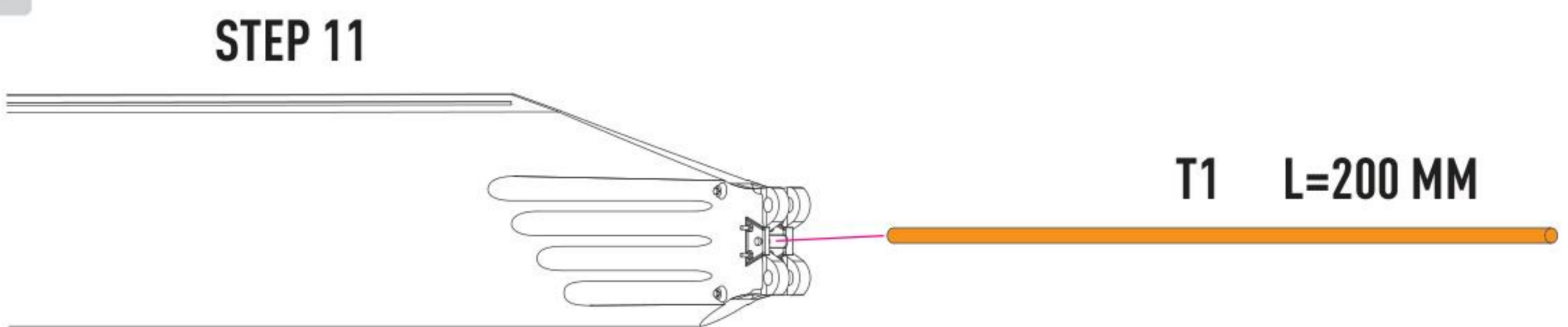
10 X4



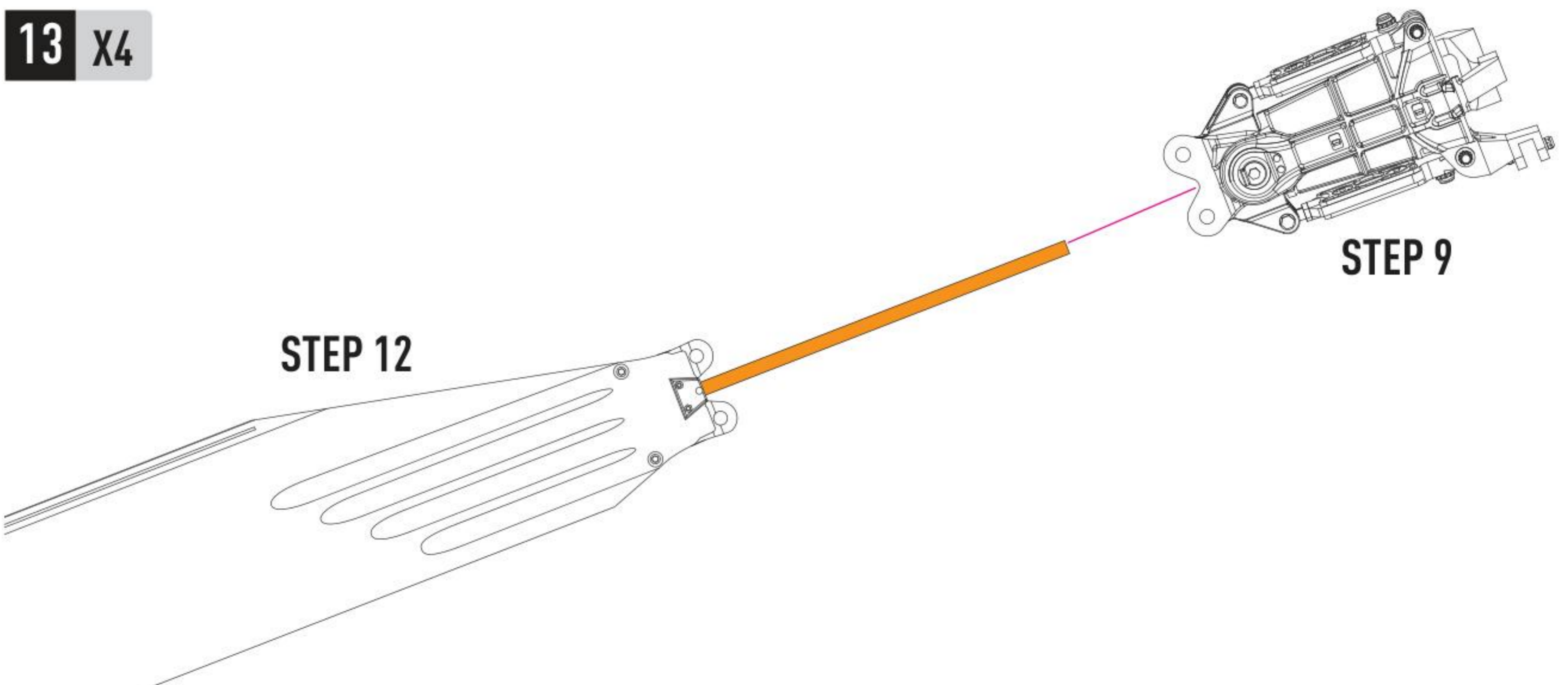
11 X4



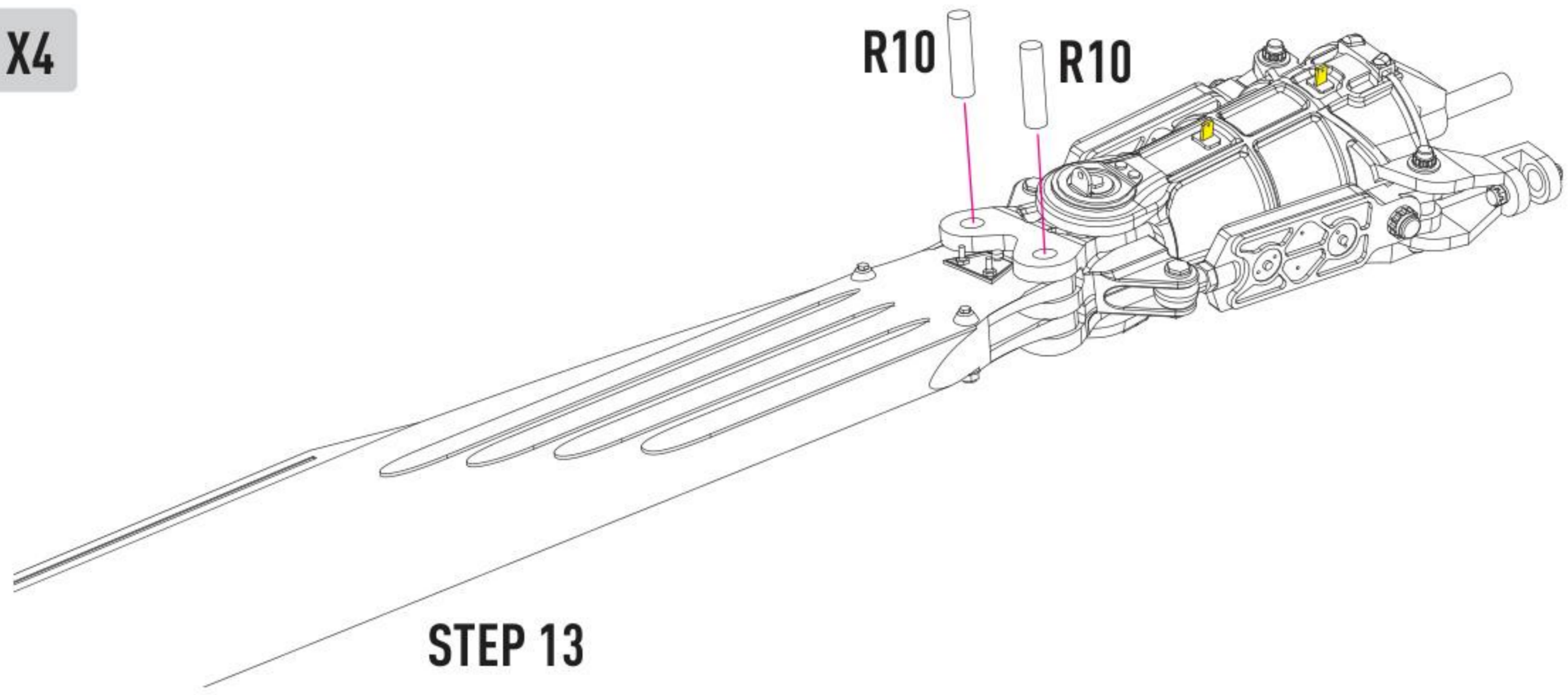
12 X4



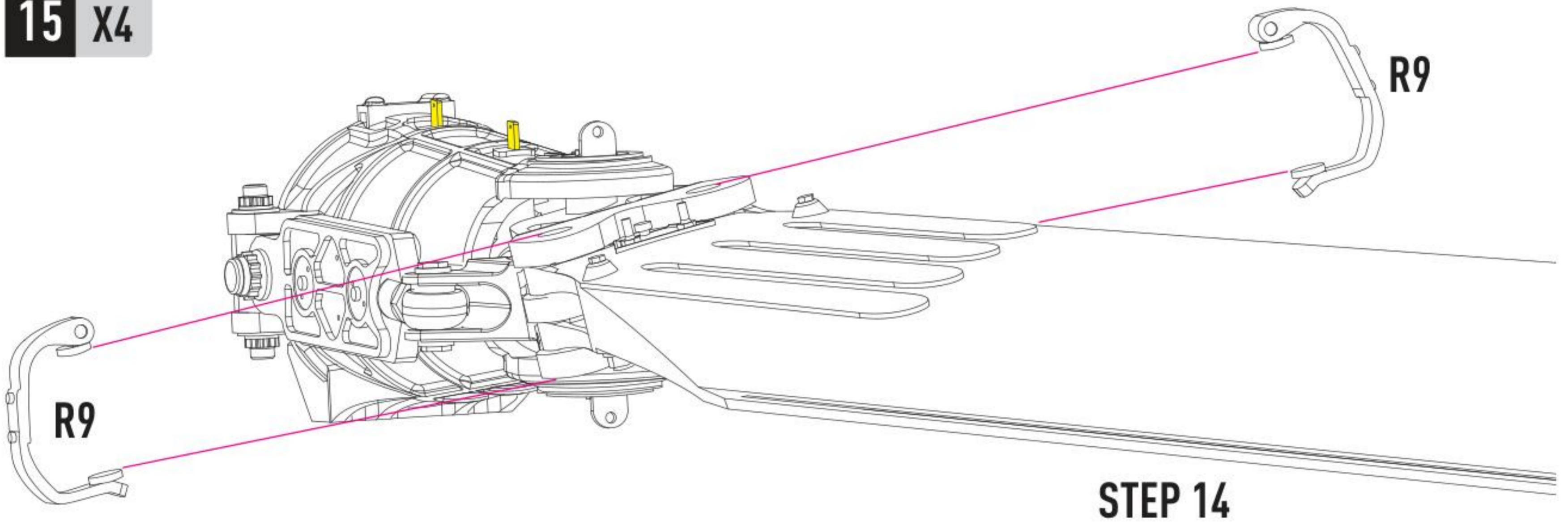
13 X4



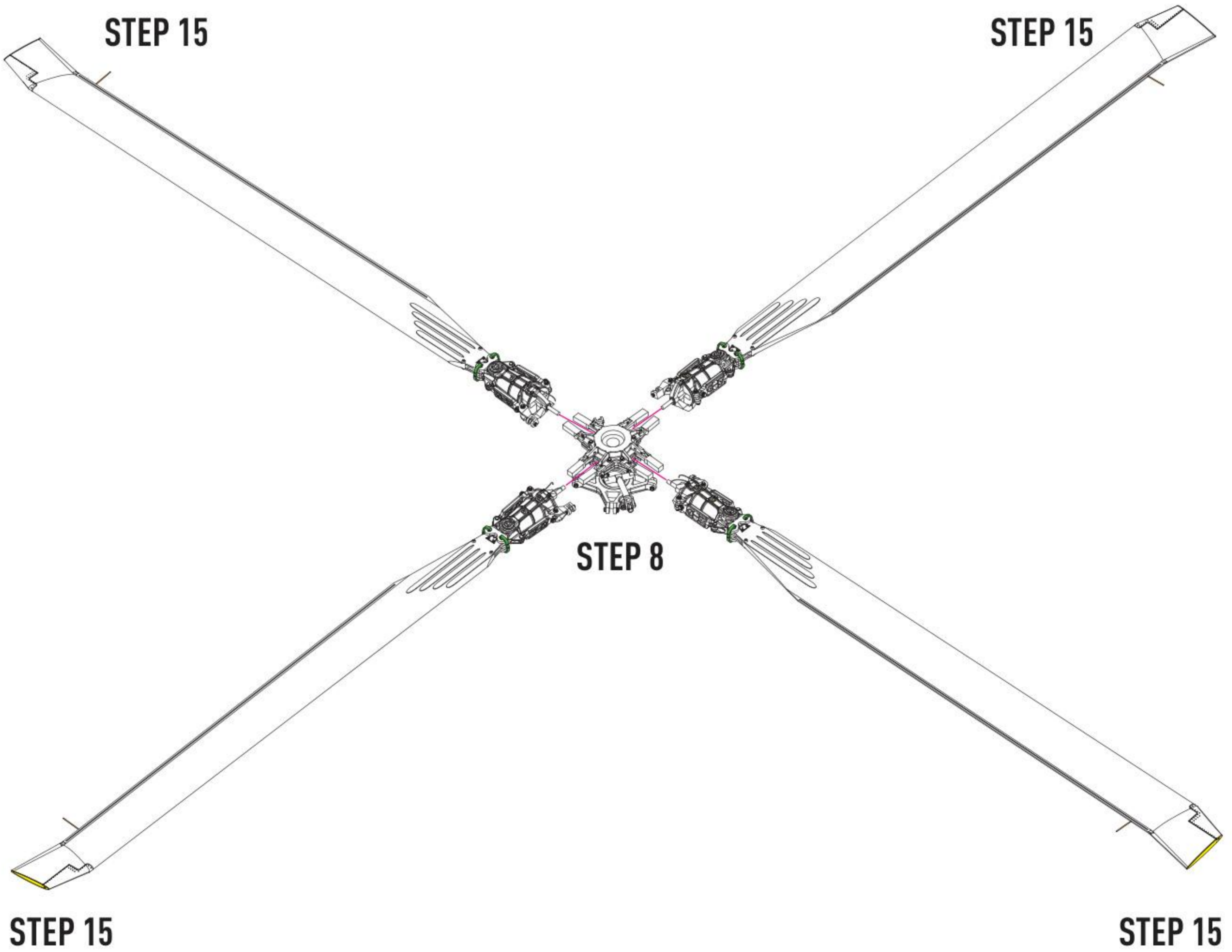
14 X4



15 X4



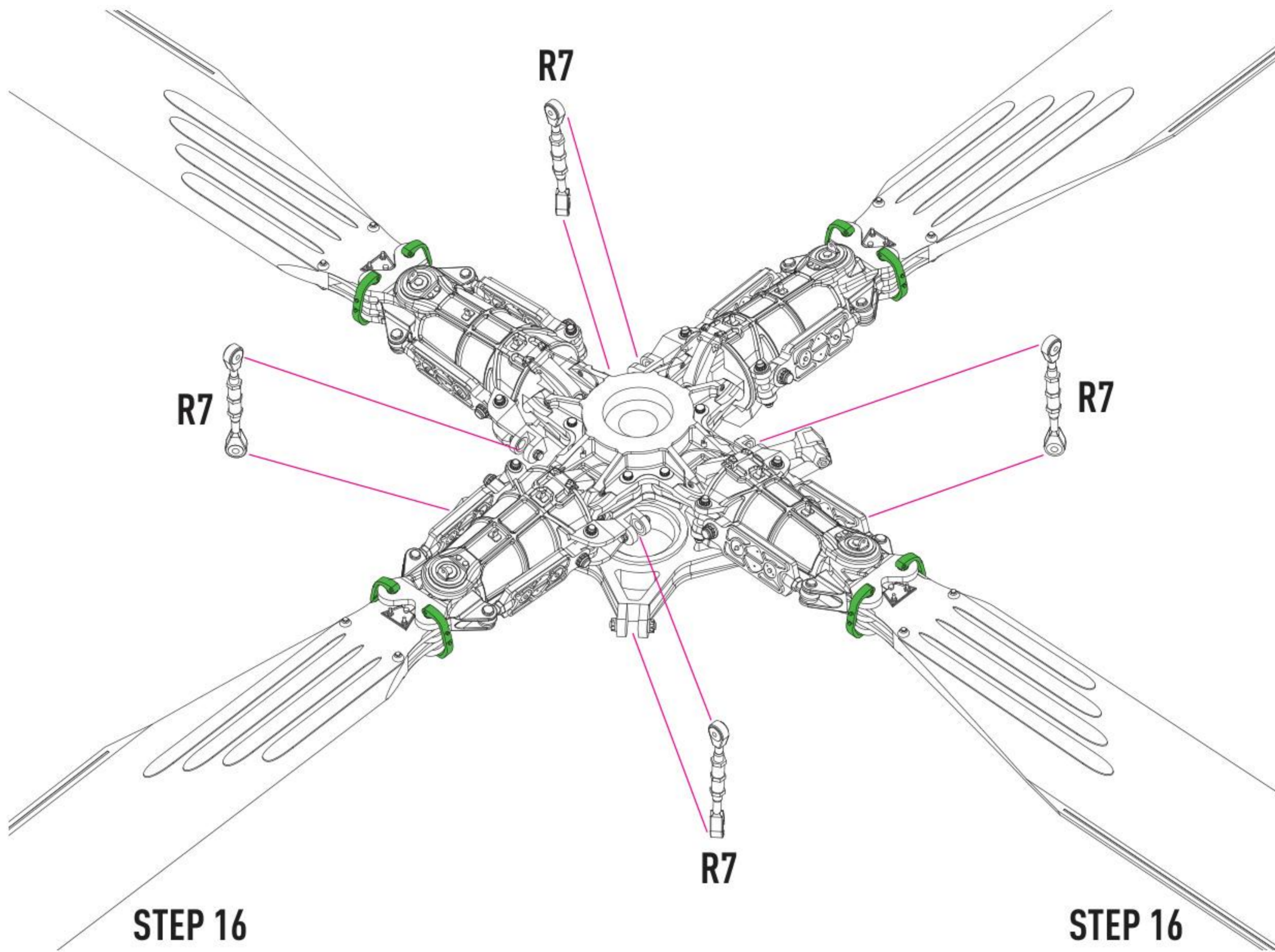
16



17

STEP 16

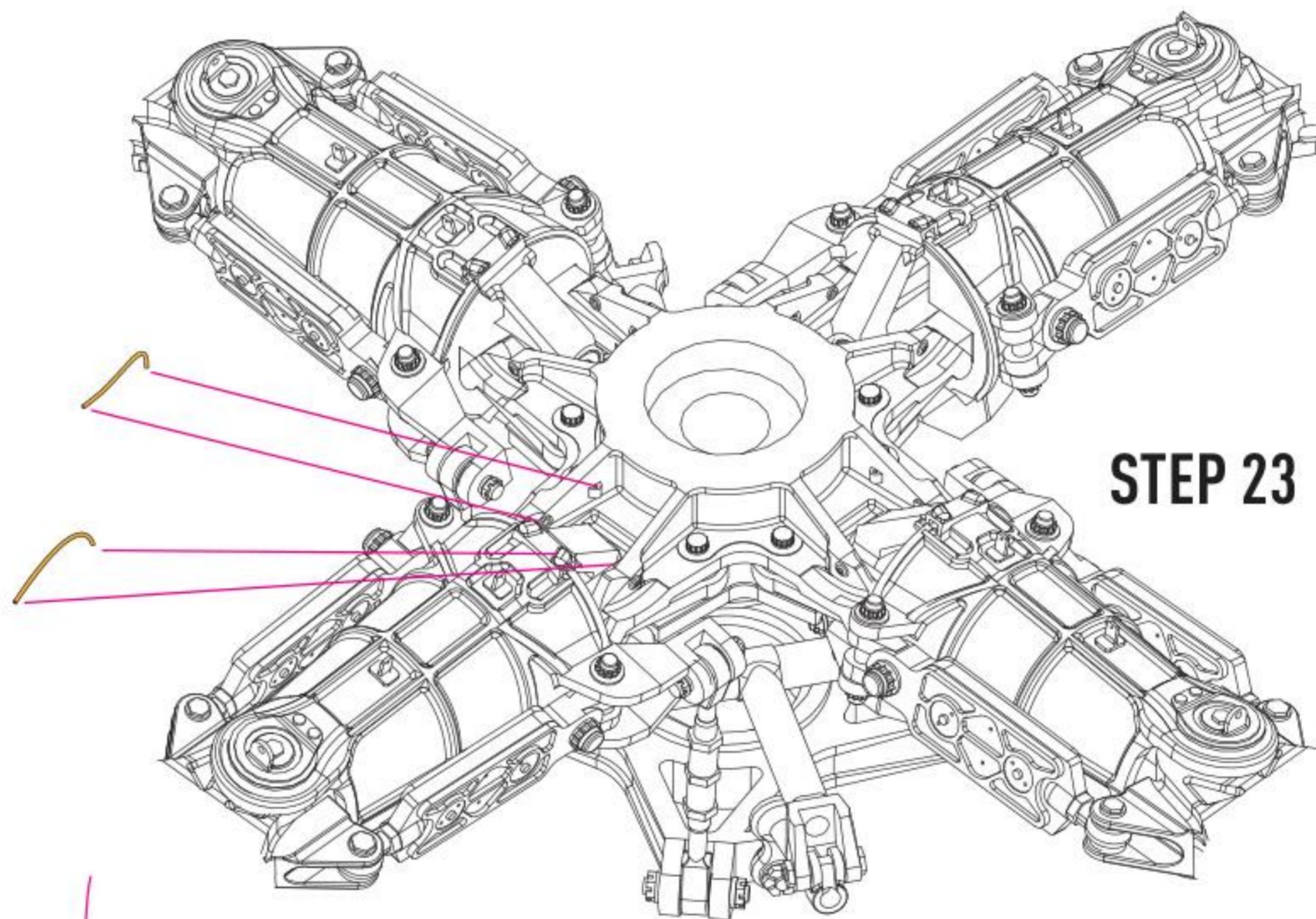
STEP 16



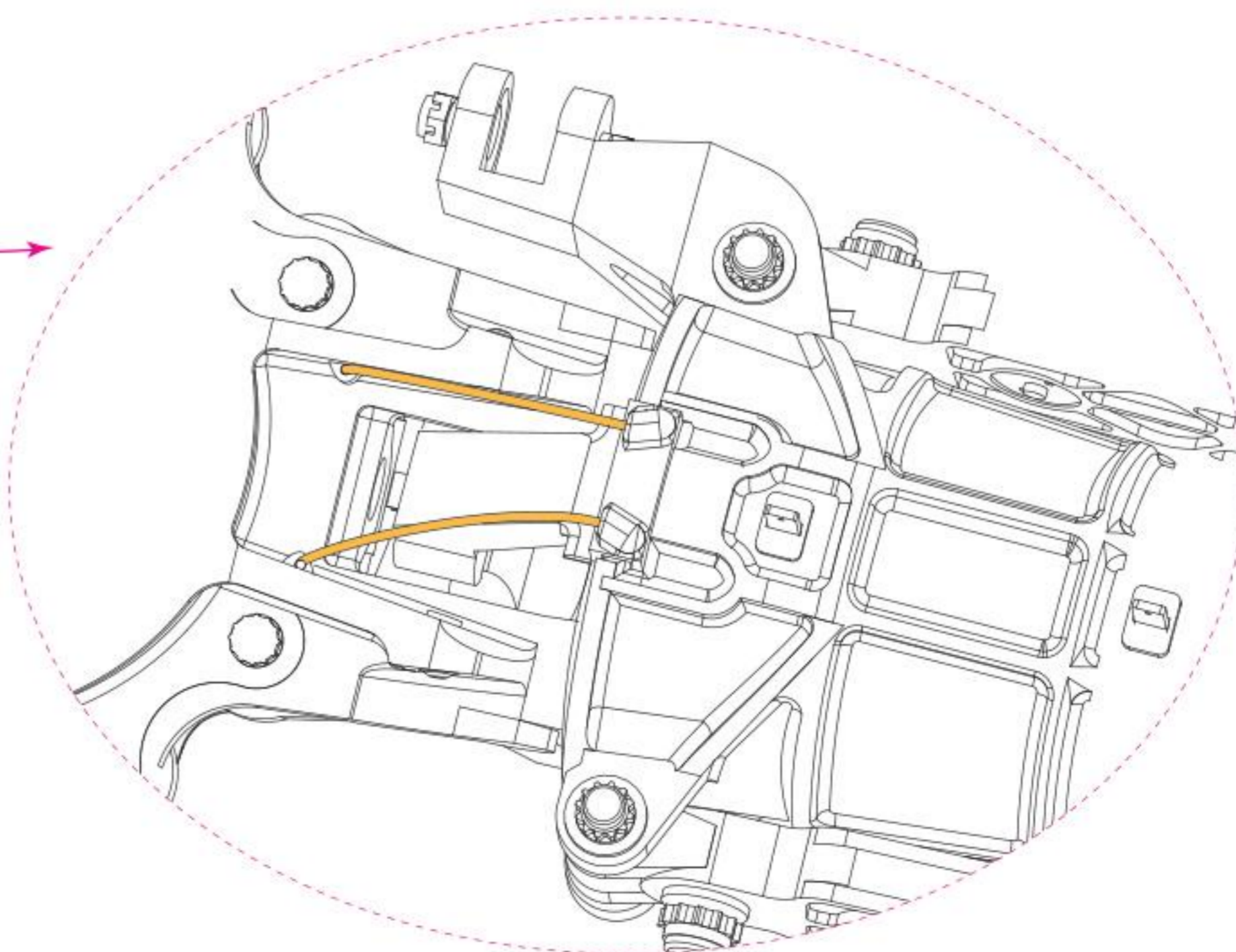
18

USE WIRE
D = 0.15 MM,
L = 7 MM

STEP 23



REPEAT FOR ALL OTHER SIDES



19



R20



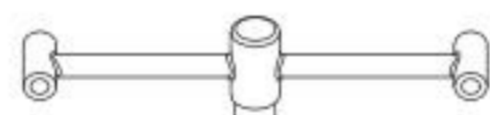
R18

?

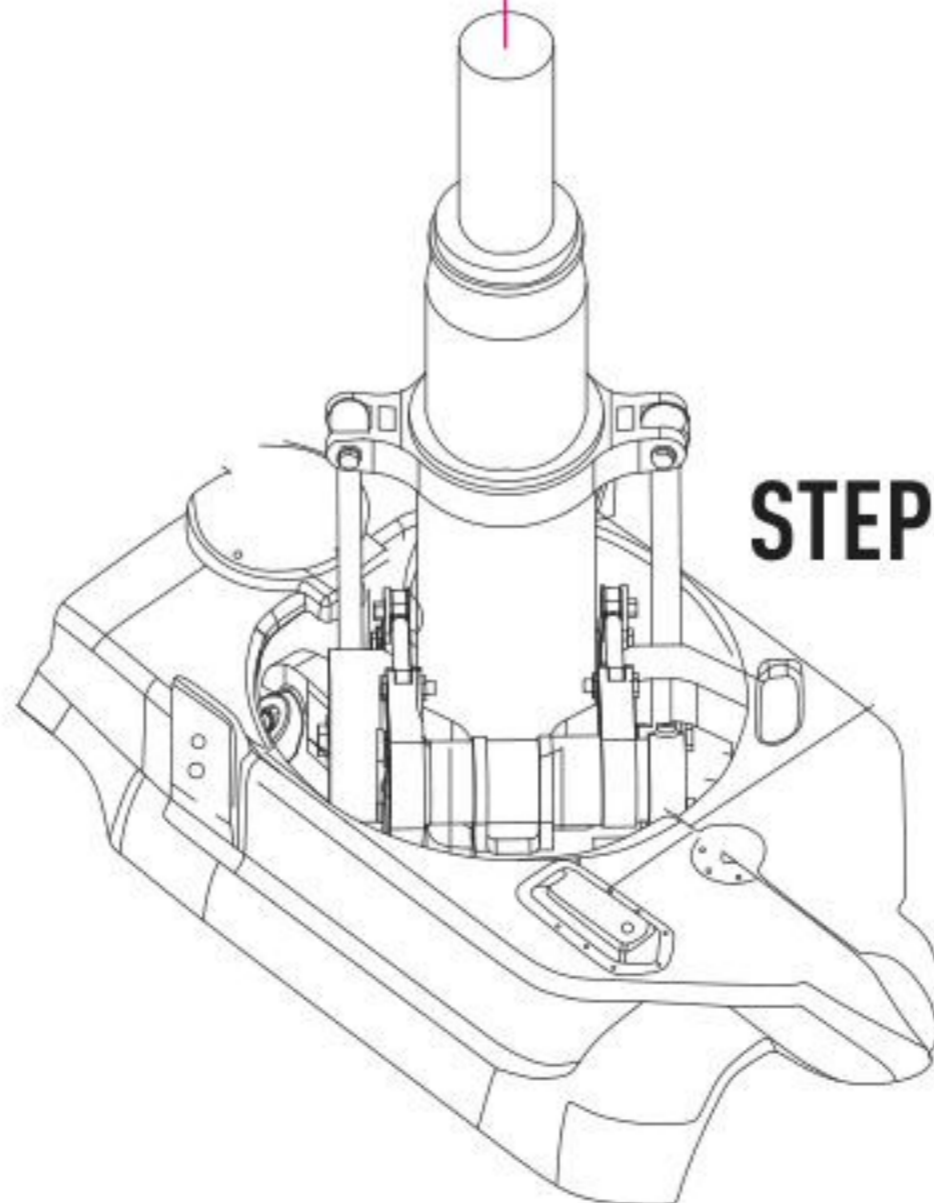
STEP 18

20

STEP 19

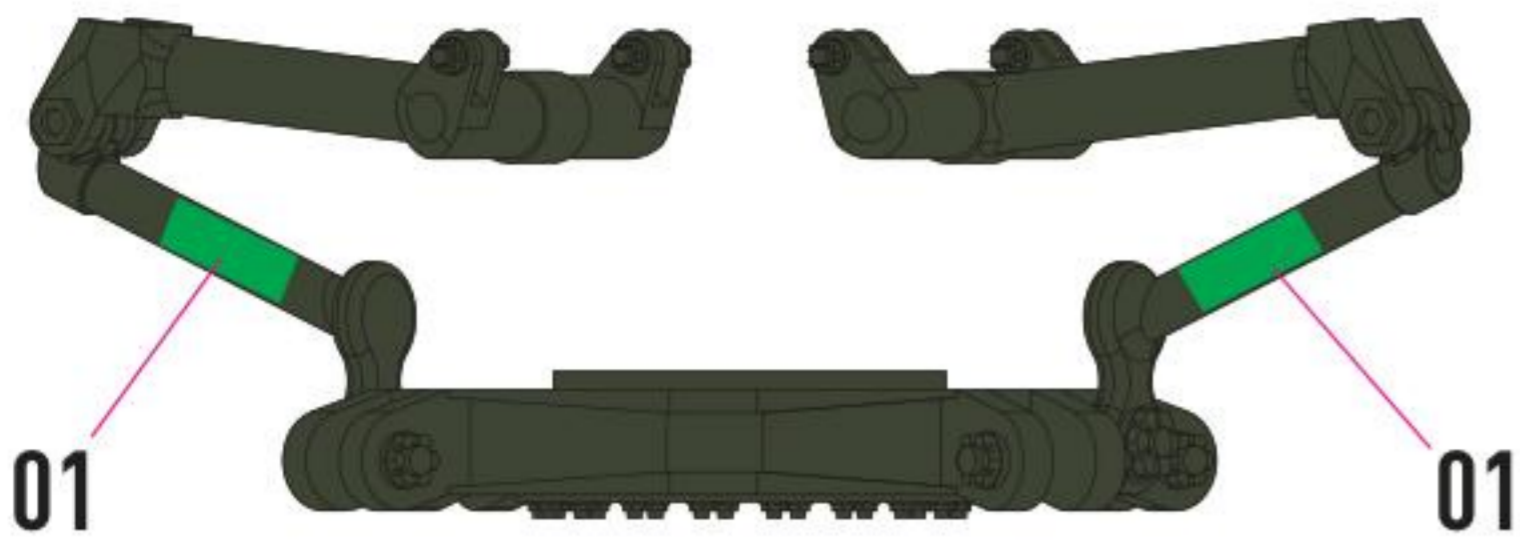


STEP 7



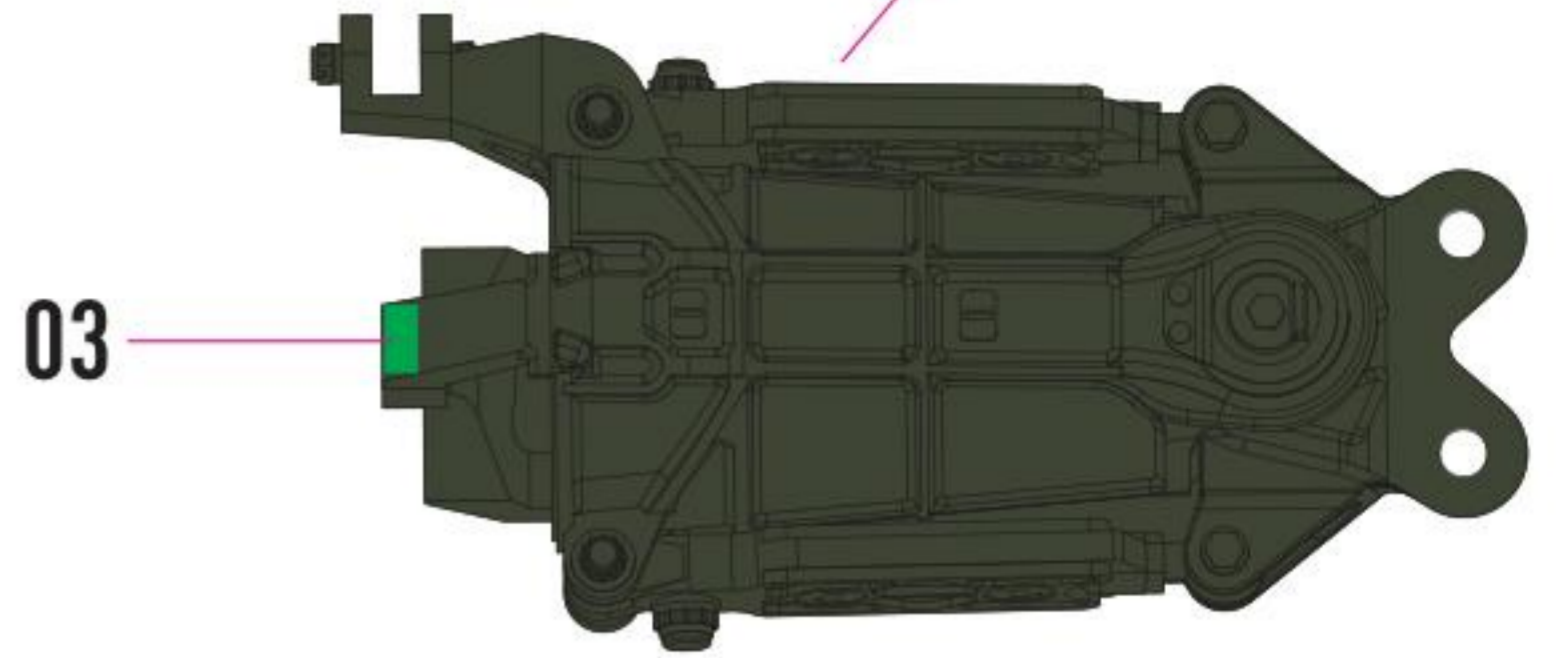
DECAL INSTRUCTION

R6



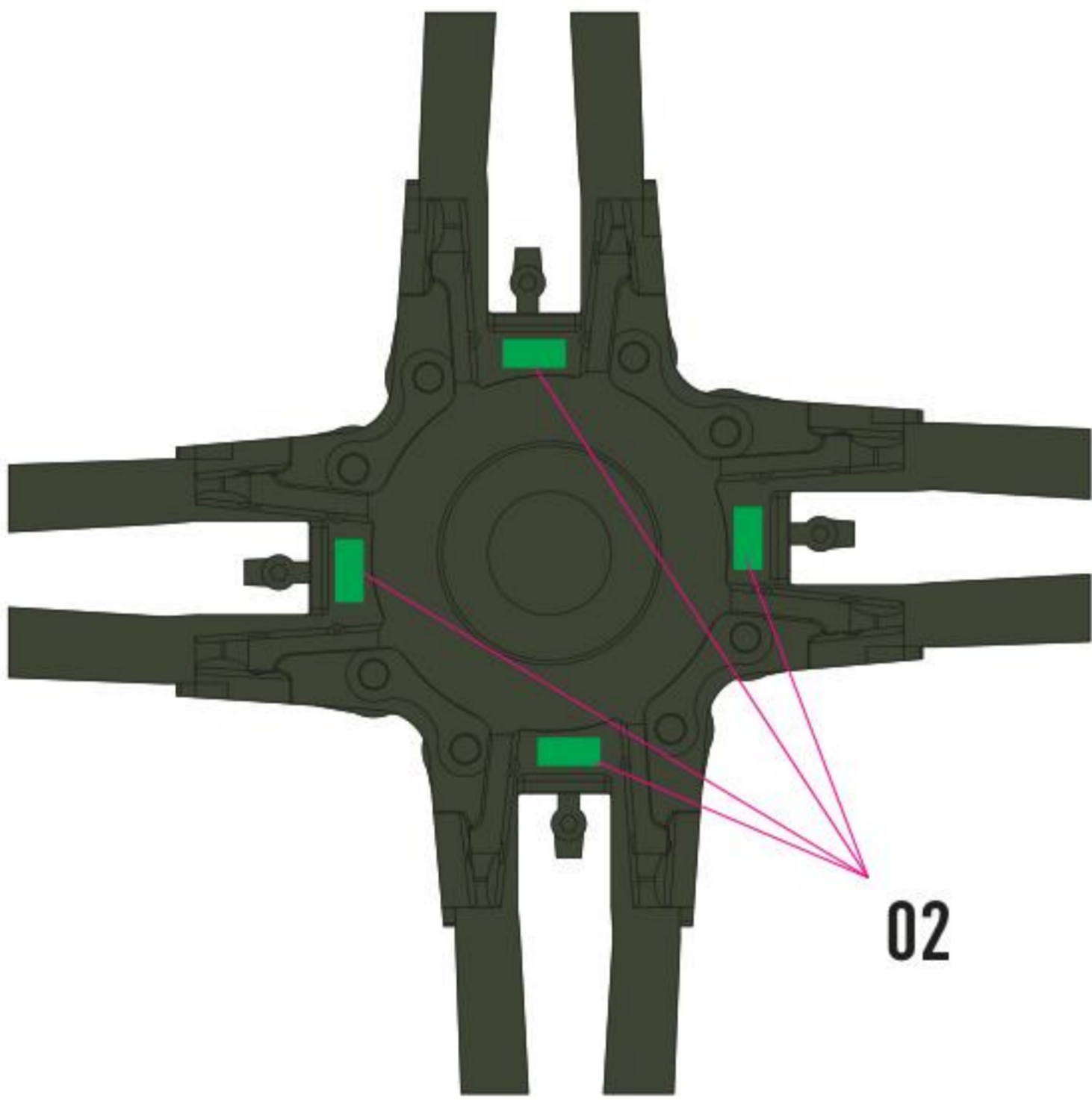
REAR VIEW

OLIVE DRAB H304
C304



TOP VIEW

R11



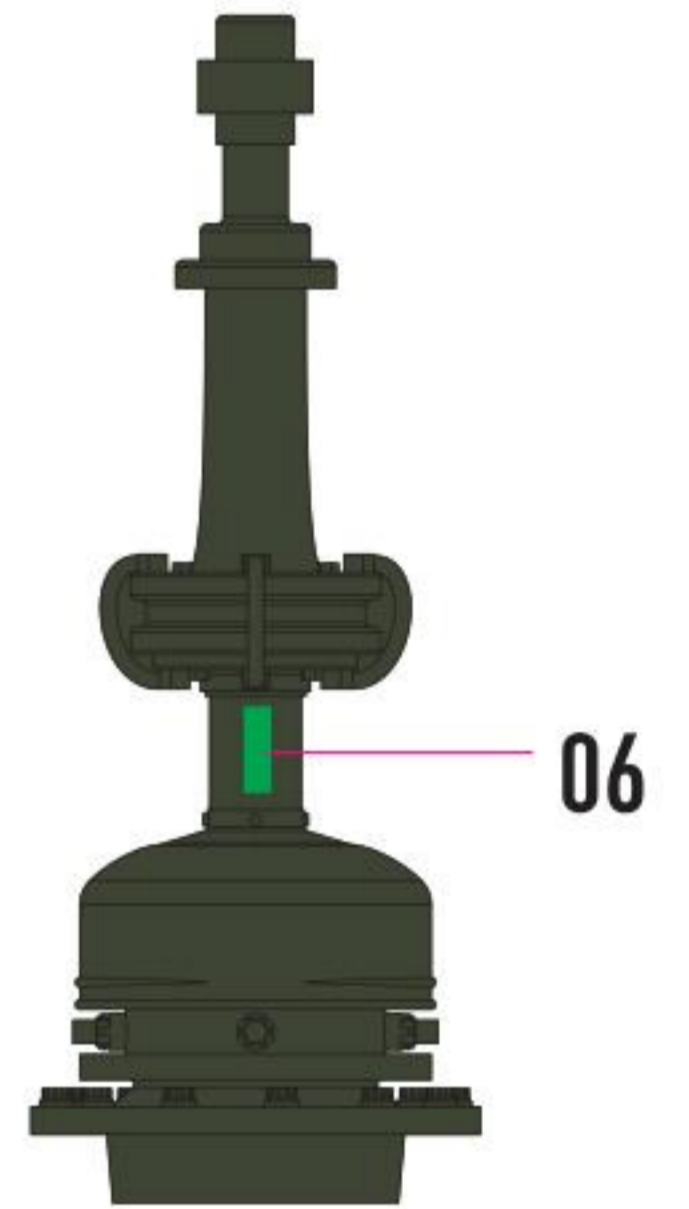
TOP VIEW

ADSS

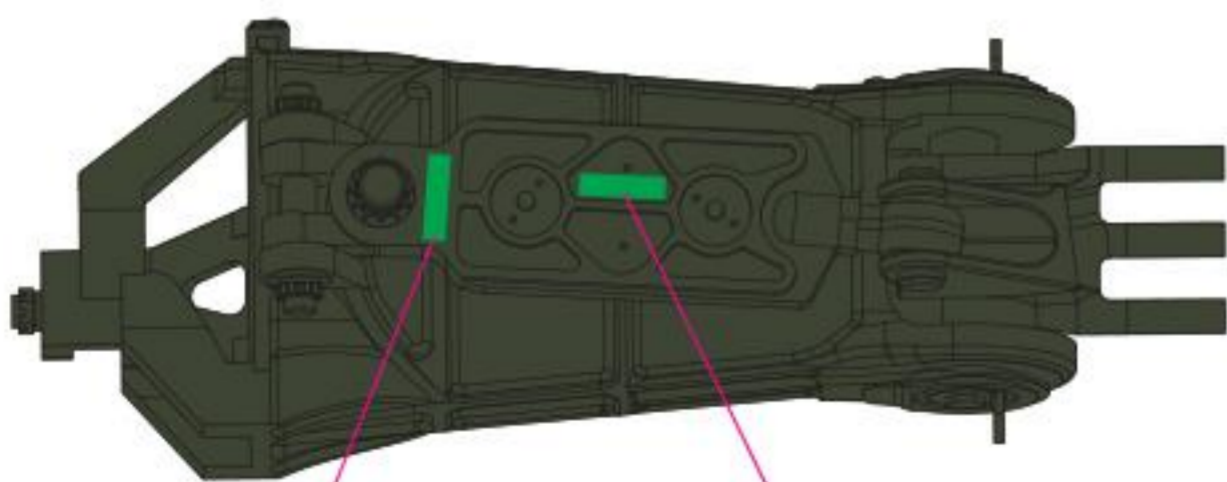
R7 X4



RIGHT VIEW



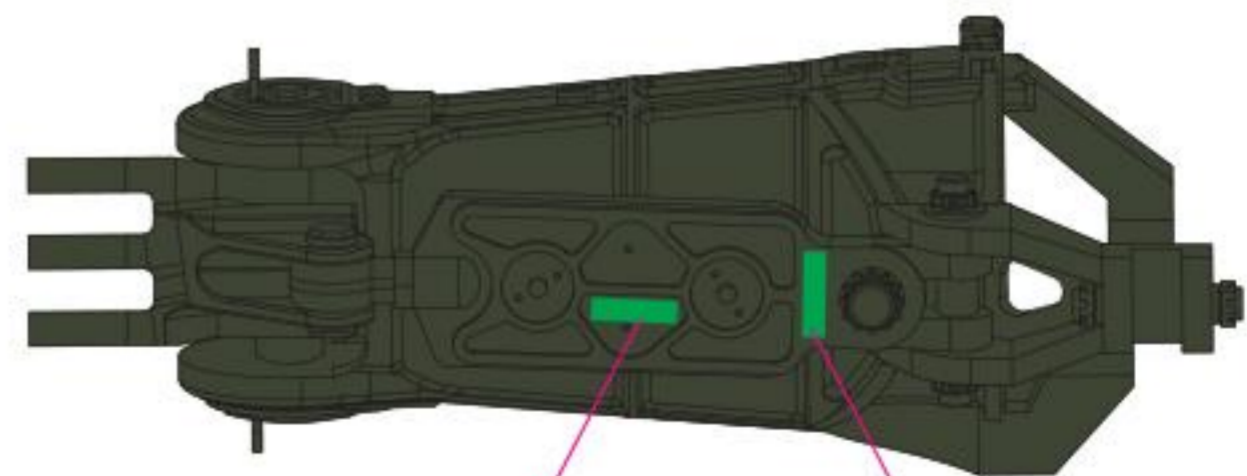
FRONT VIEW



03 05

FRONT VIEW

R8 X4



05 03

REAR VIEW

COLORS	GUNZE / AQUEOUS	GUNZE / MR.COLOR
OLIVE DRAB	H304	C304