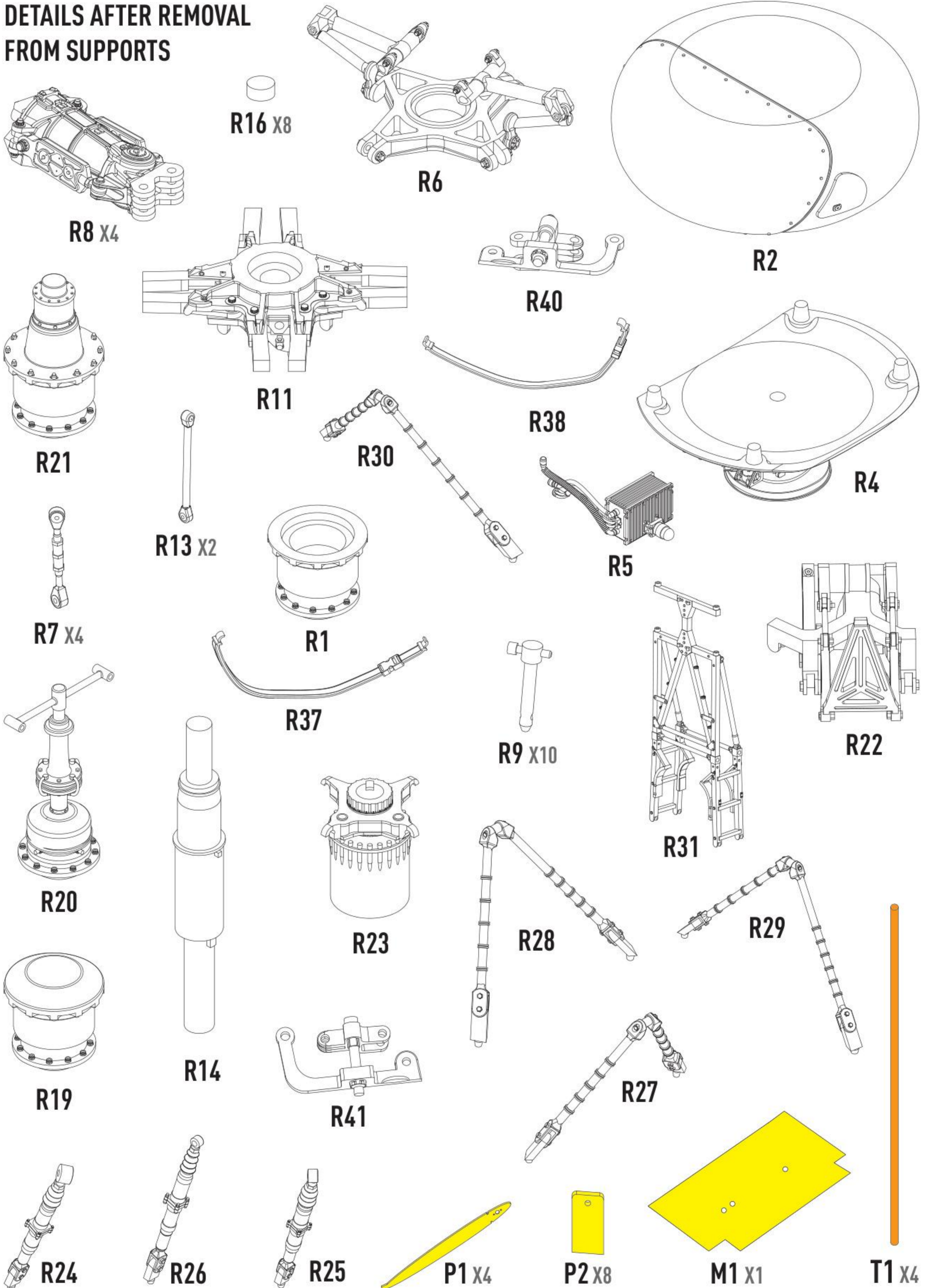
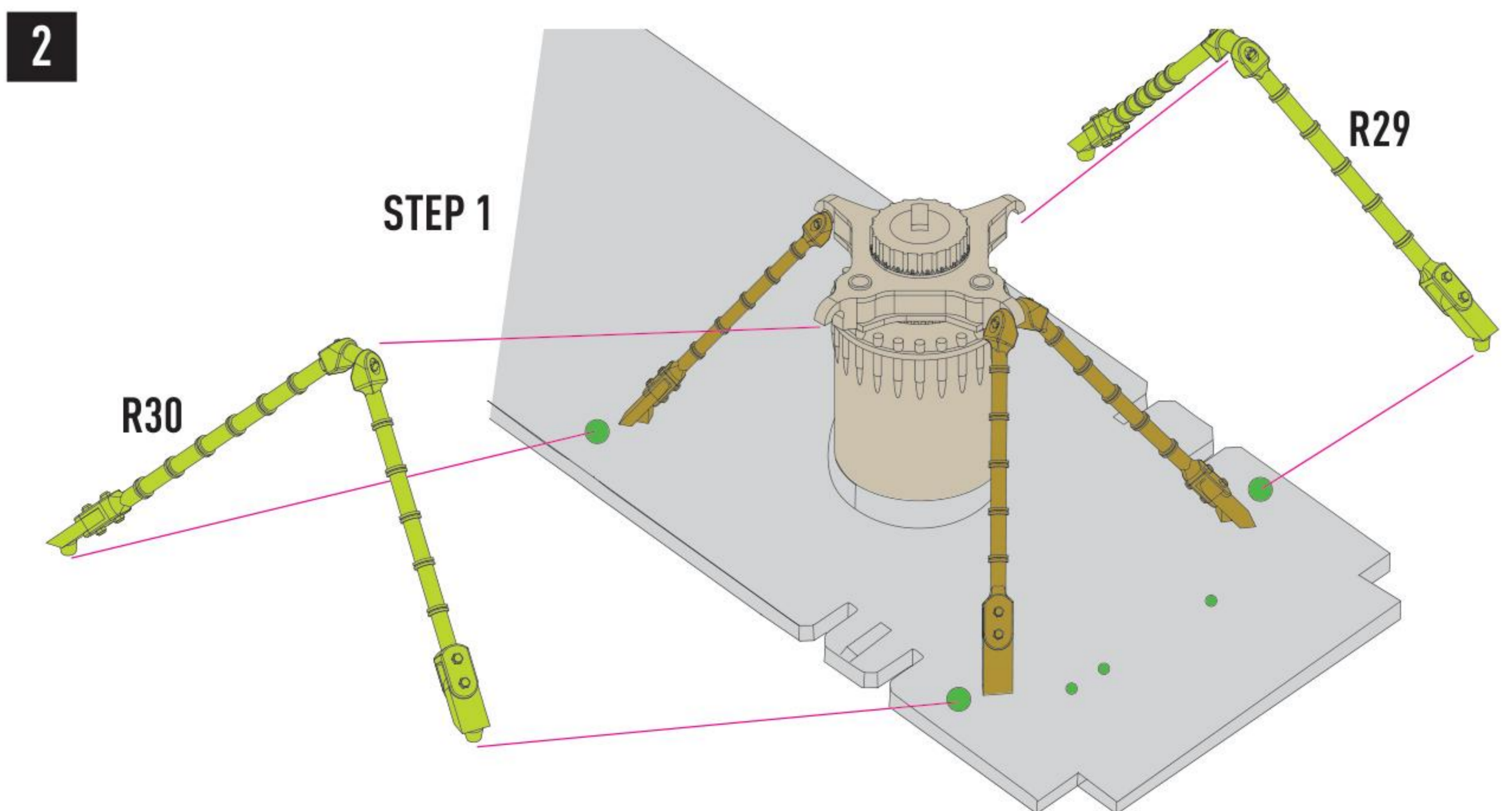
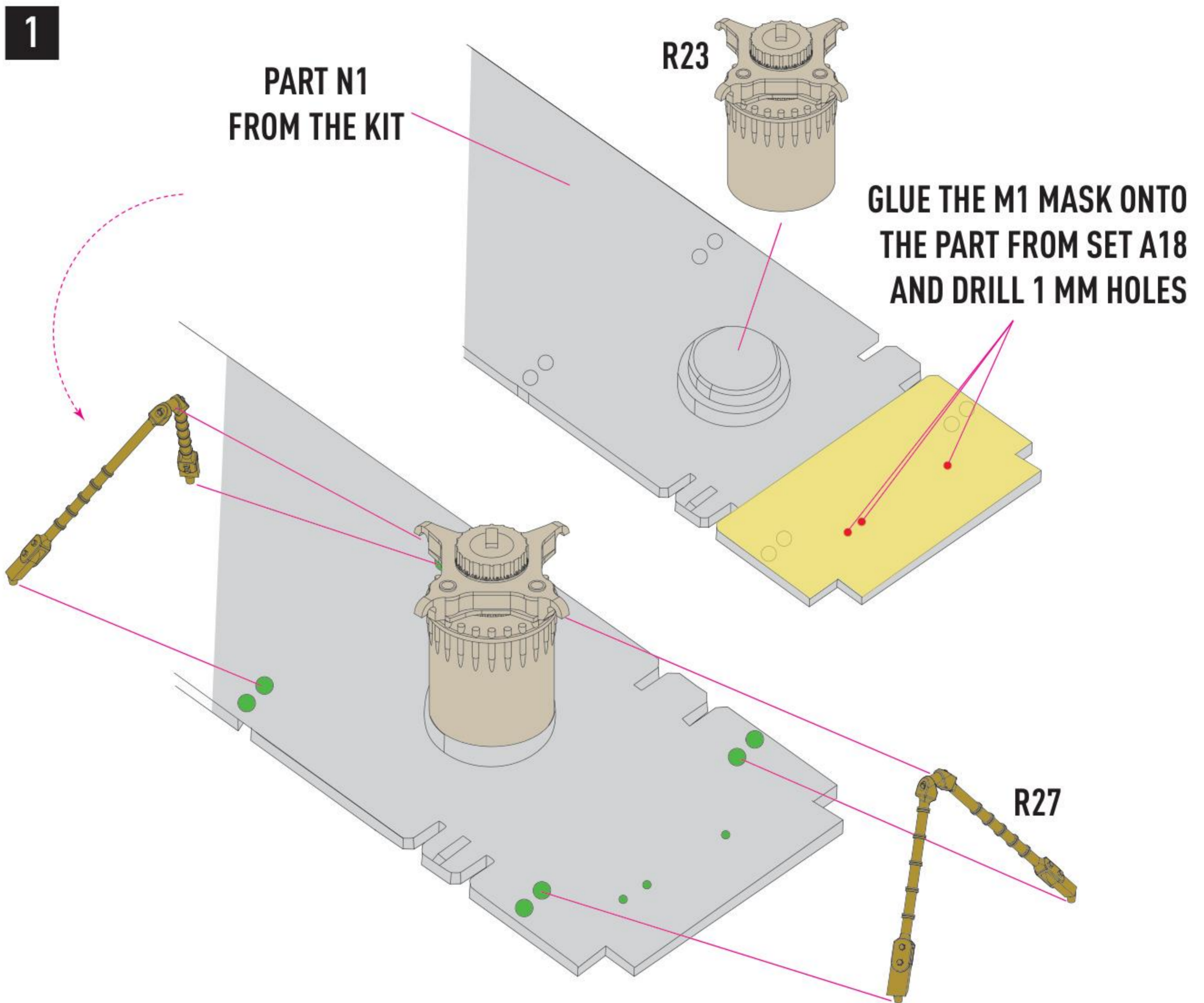
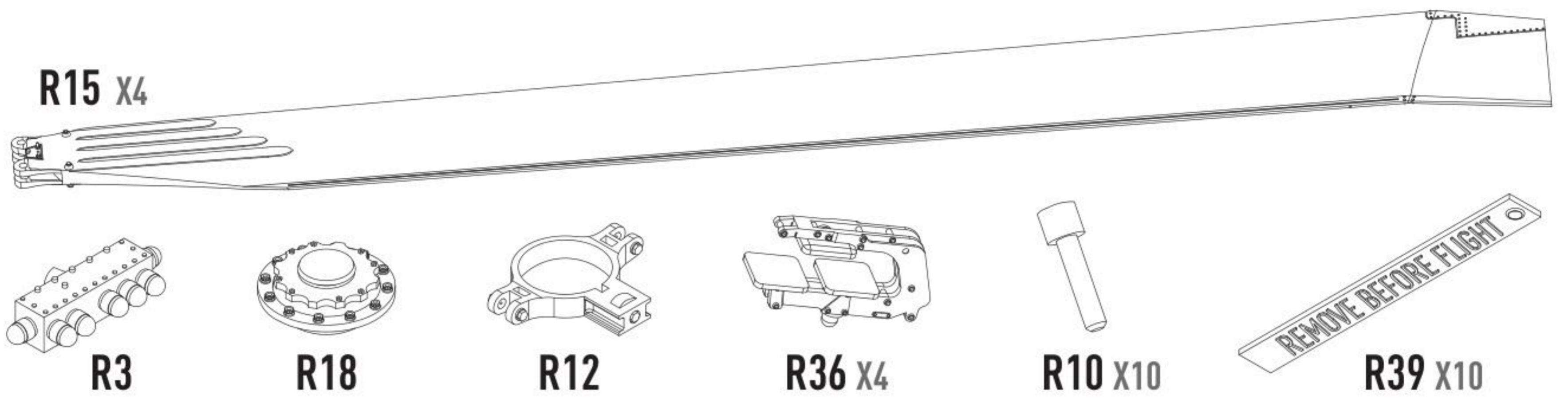
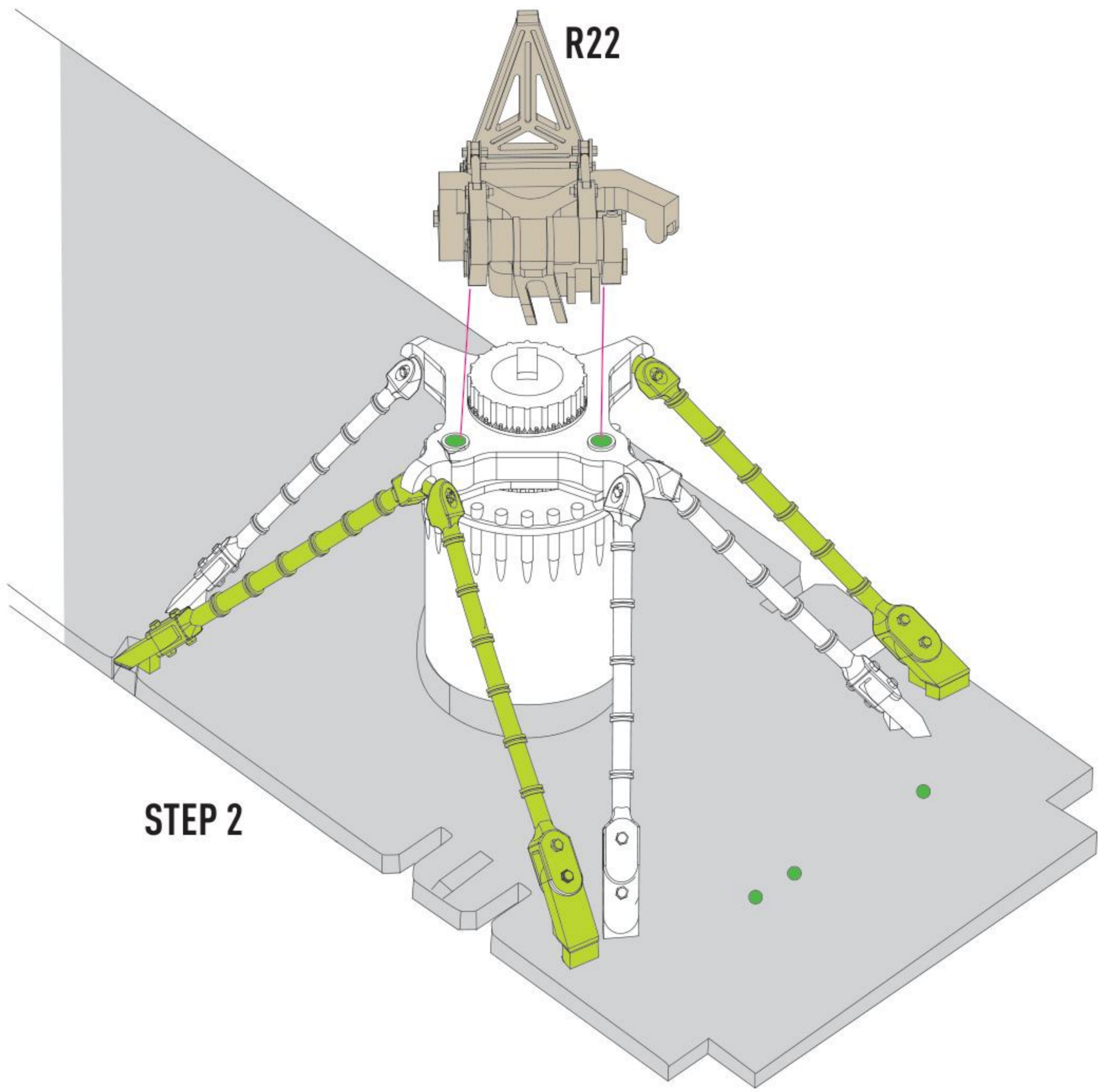


**DETAILS AFTER REMOVAL
FROM SUPPORTS**

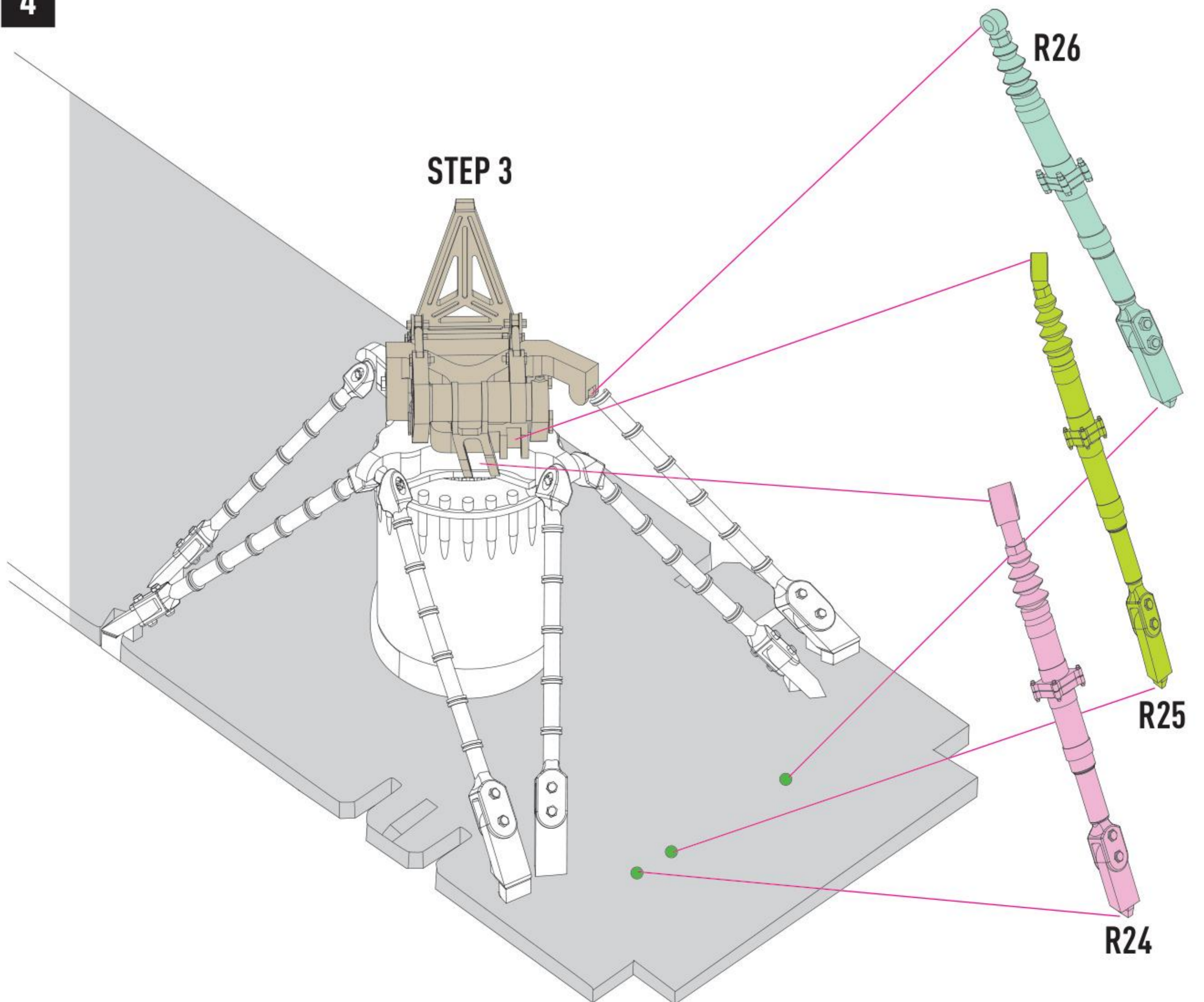




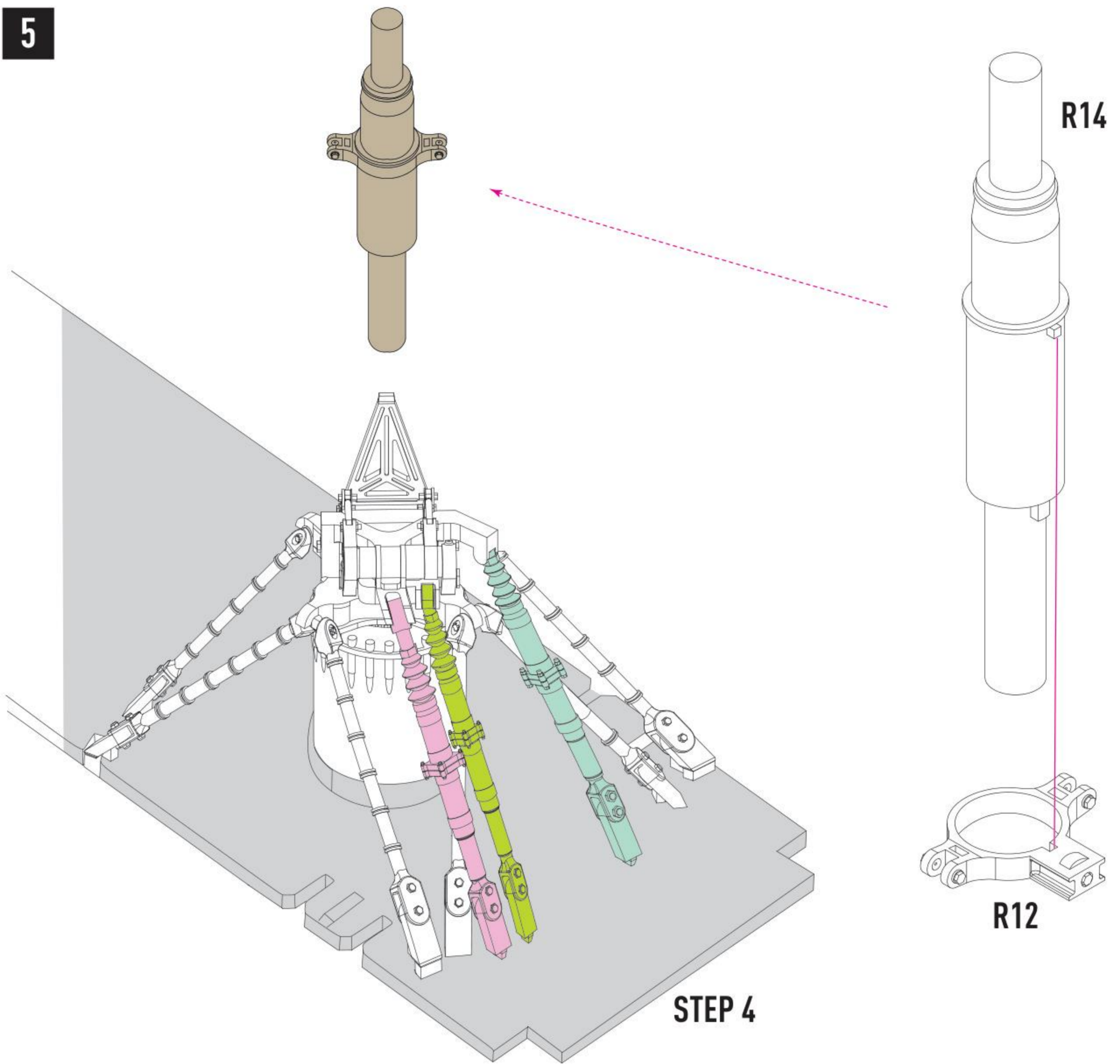
3



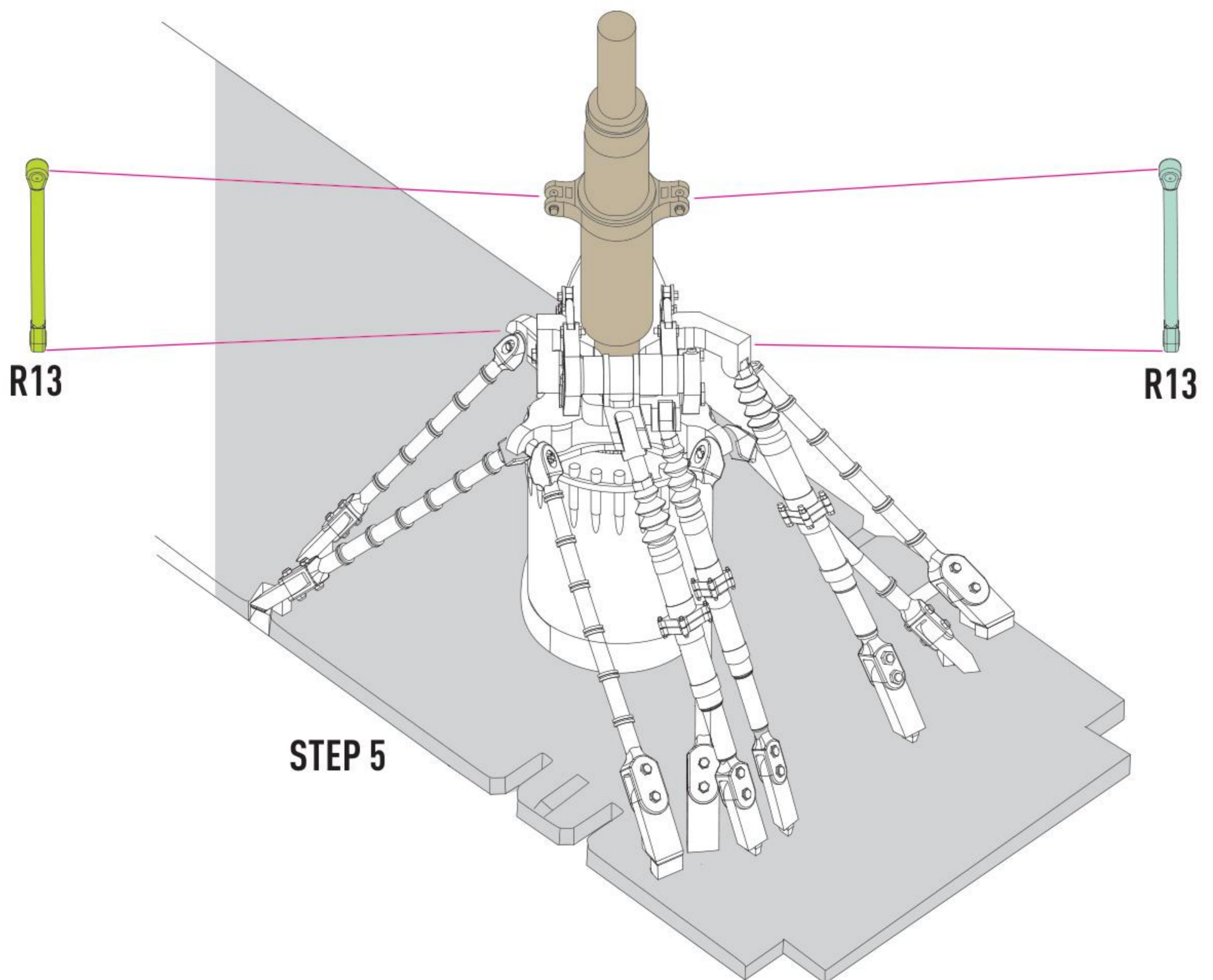
4



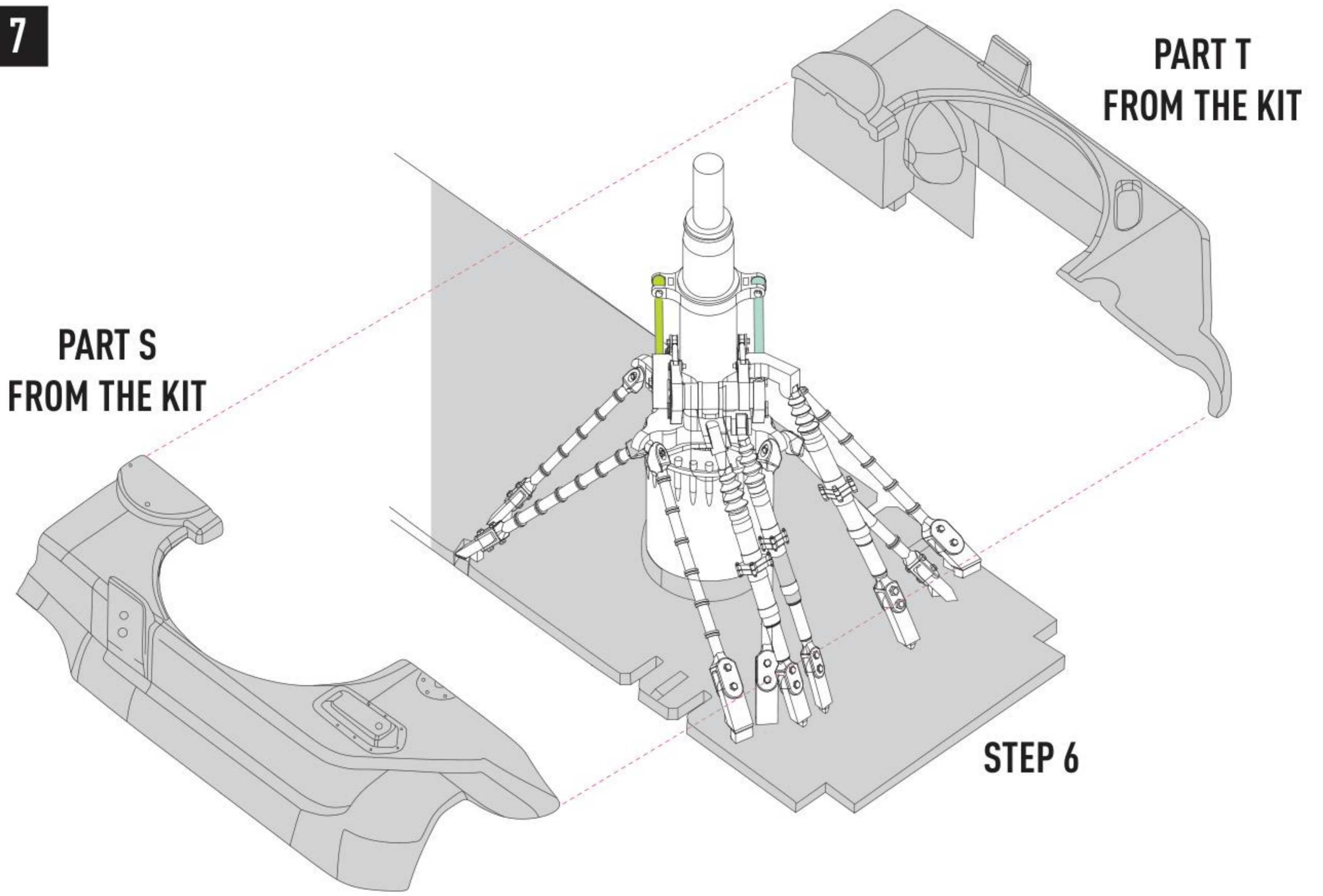
5



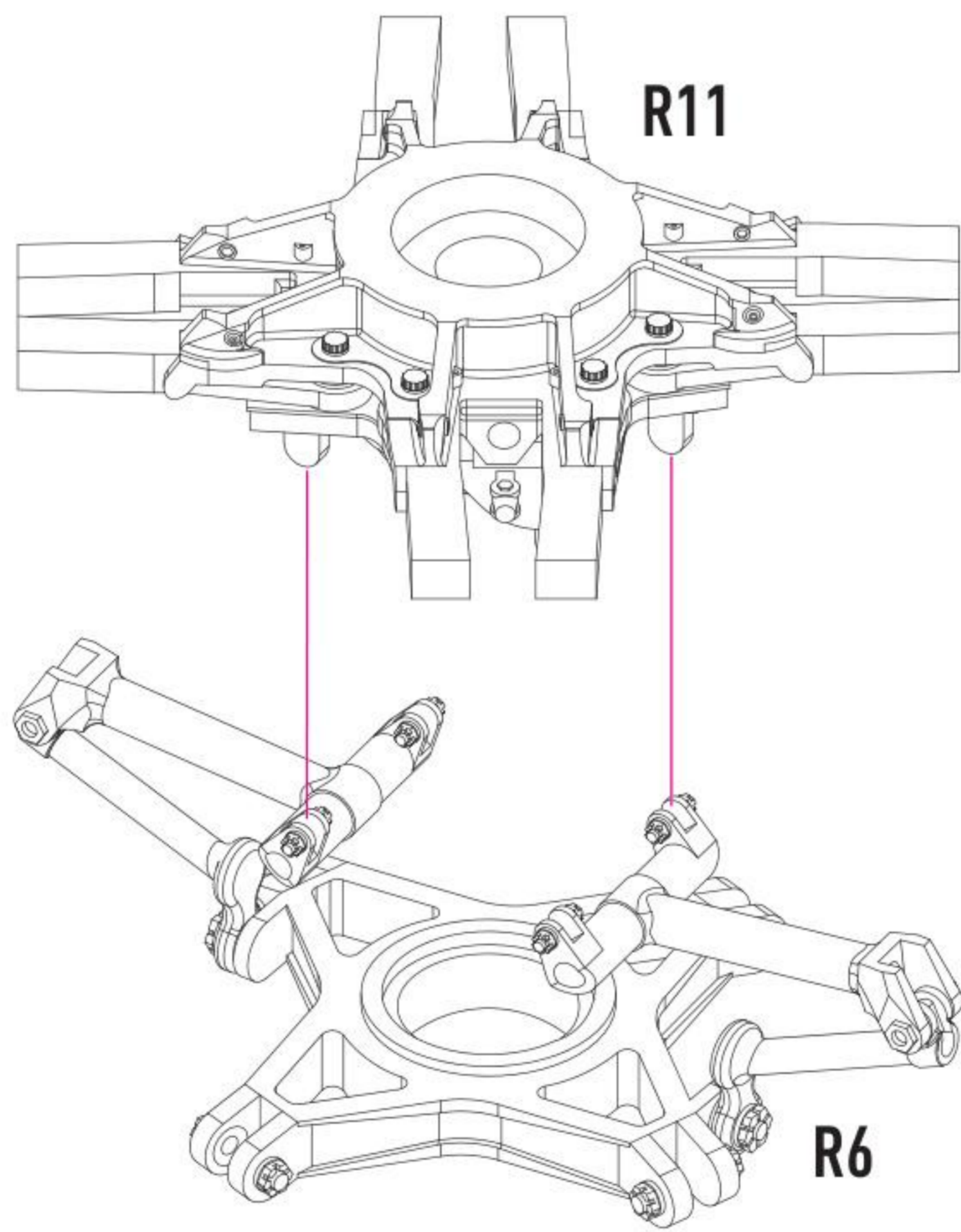
6



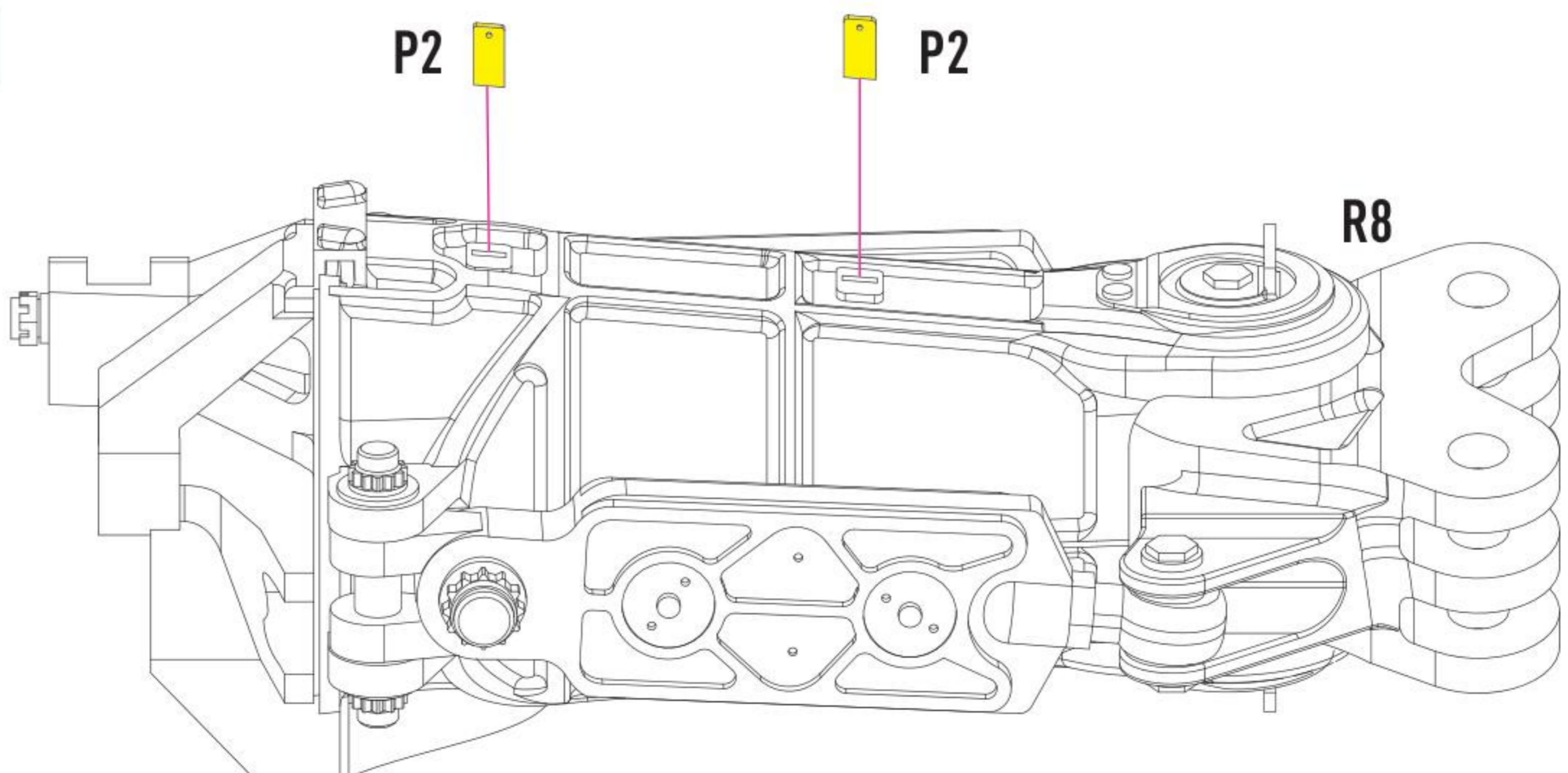
7



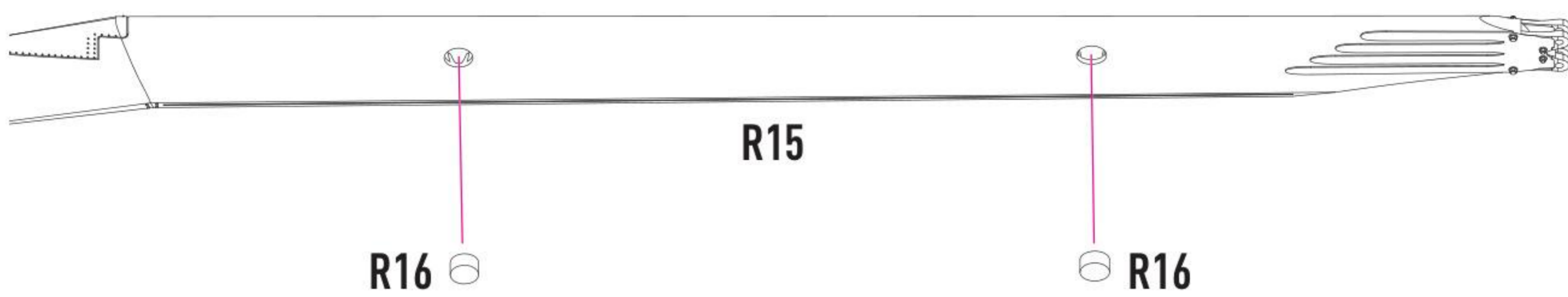
8



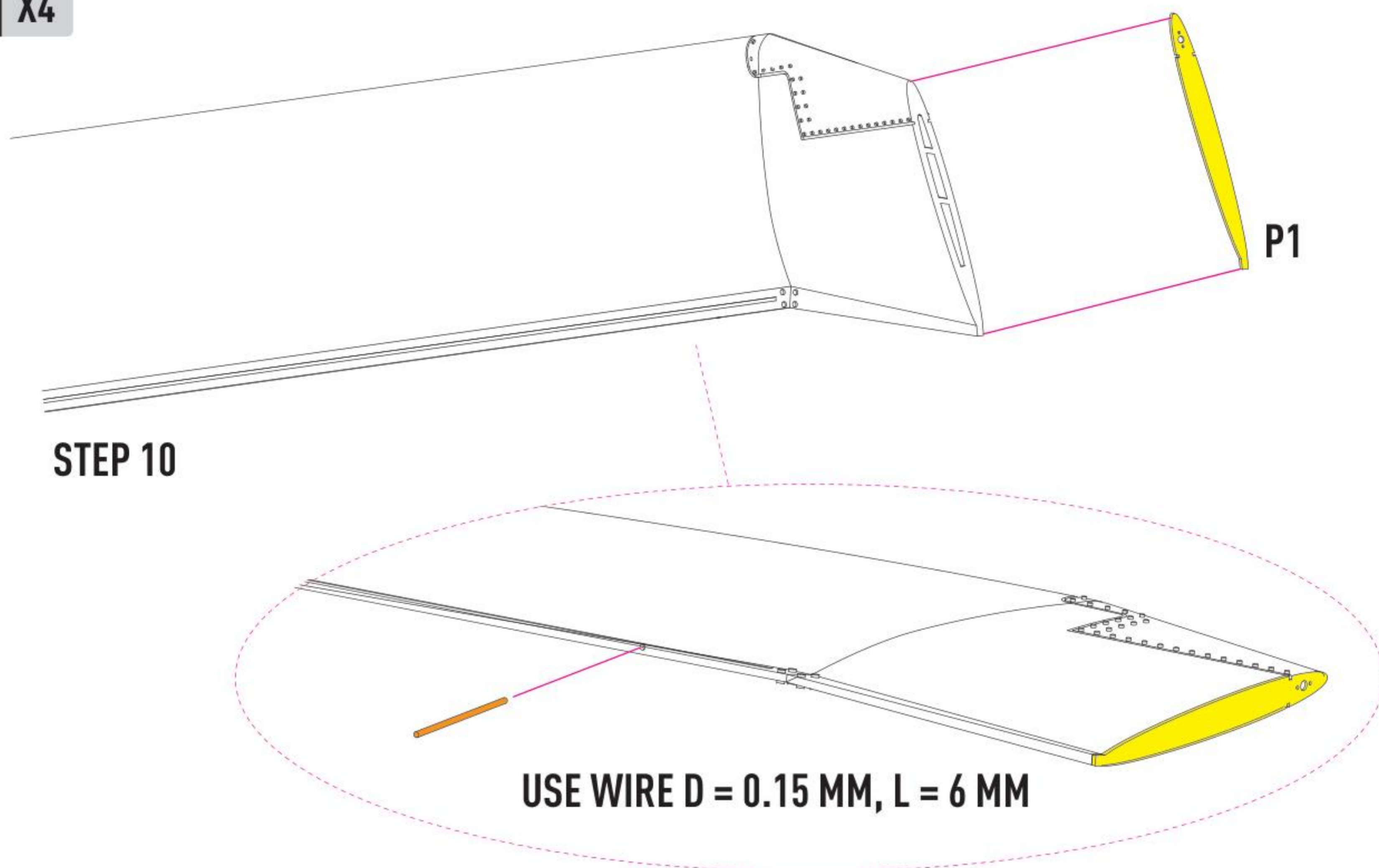
9 X4



10 X4

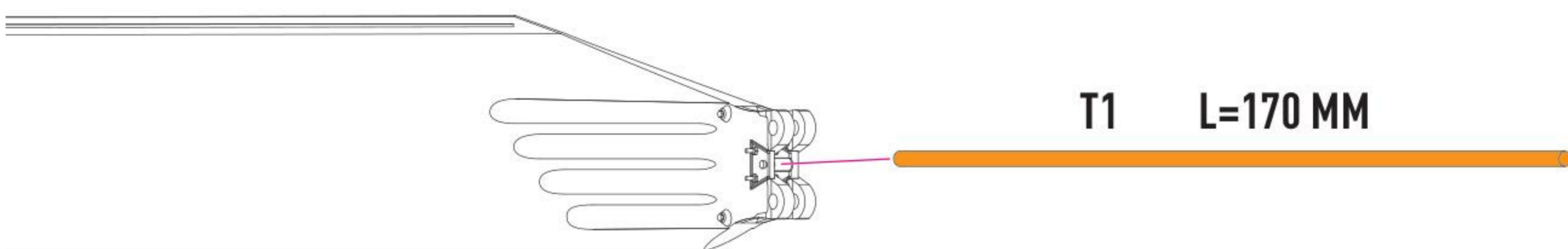


11 X4

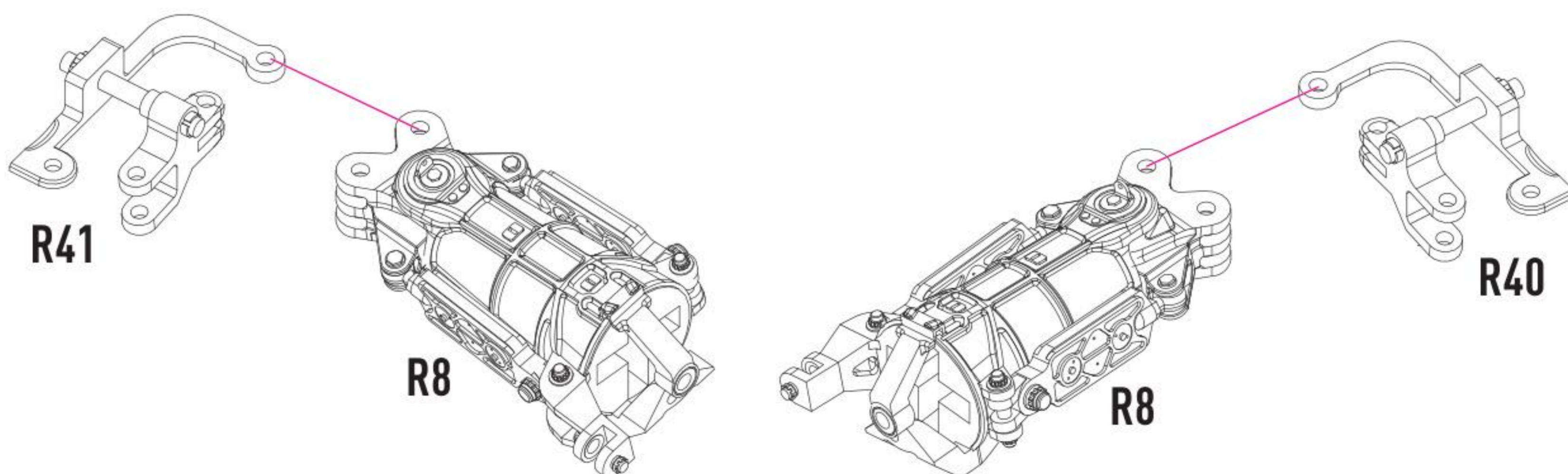


12 X4

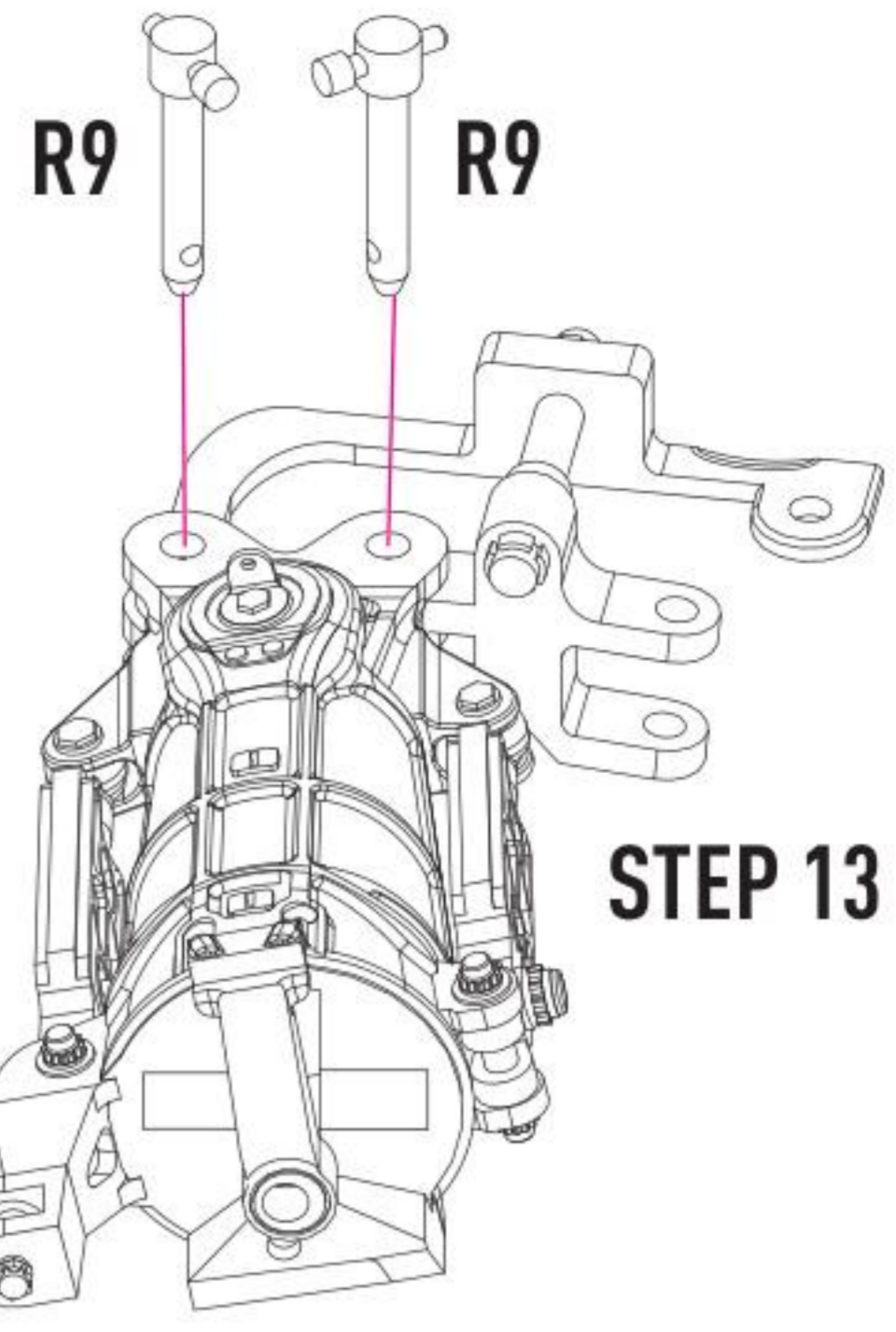
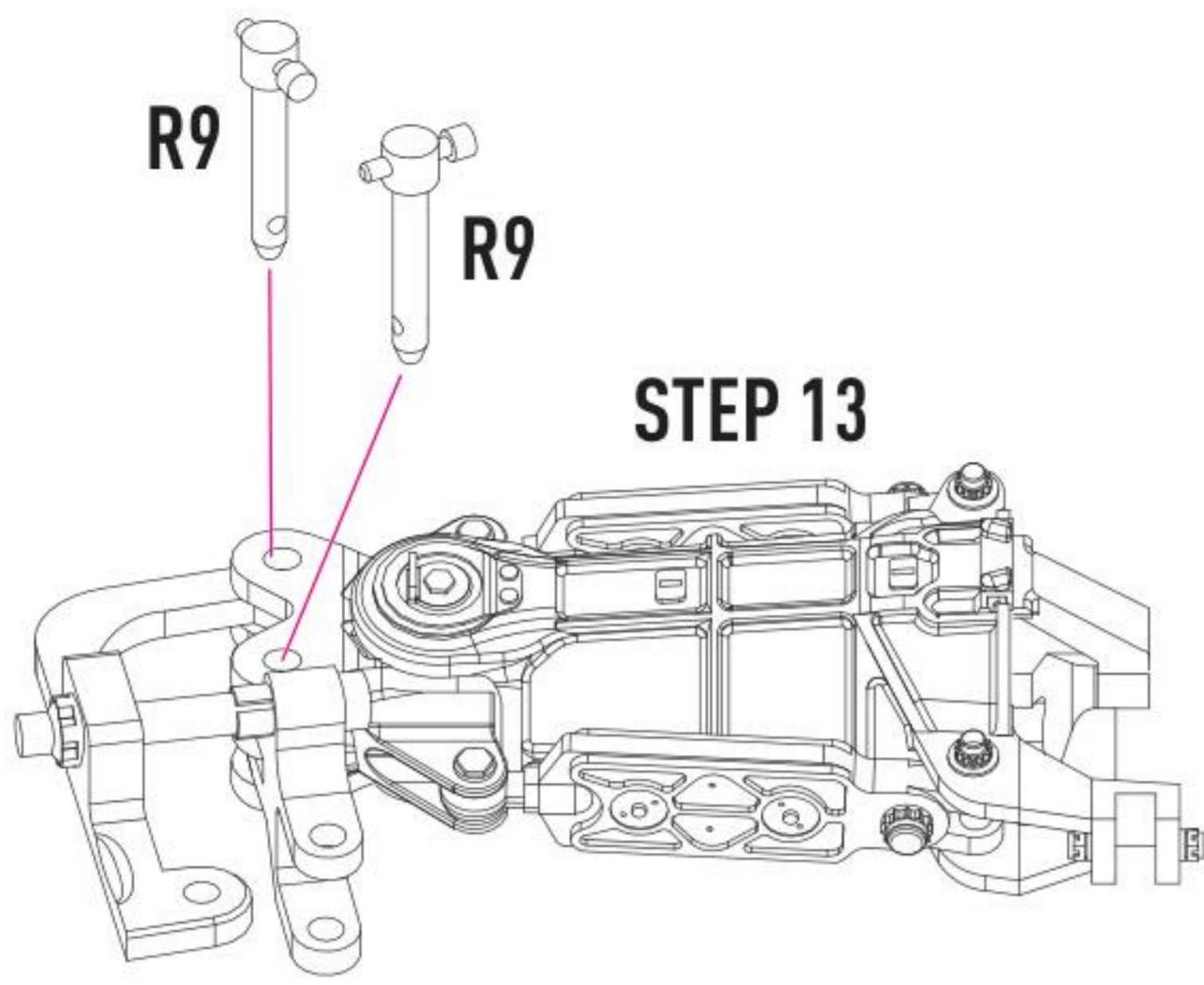
STEP 11



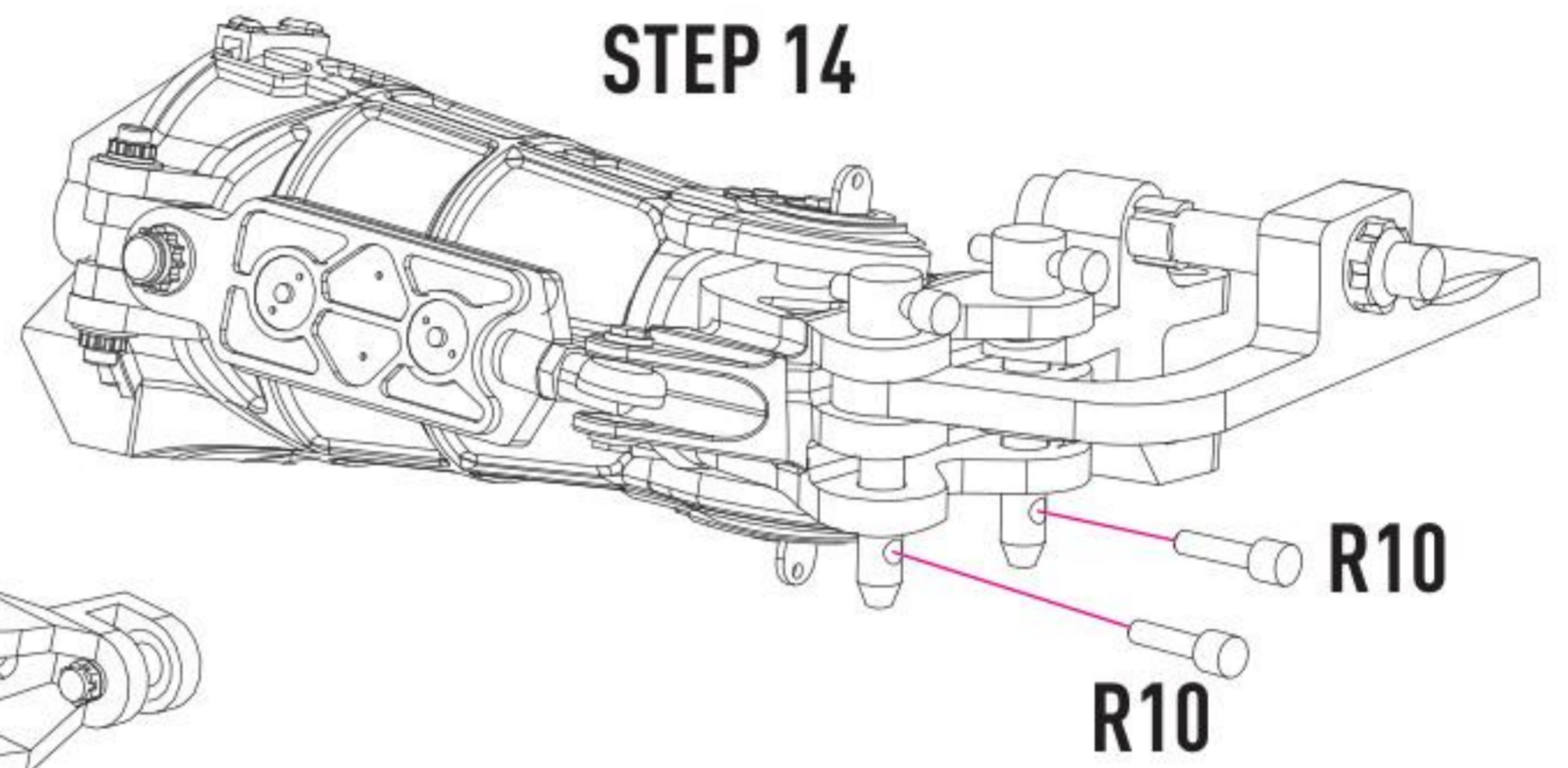
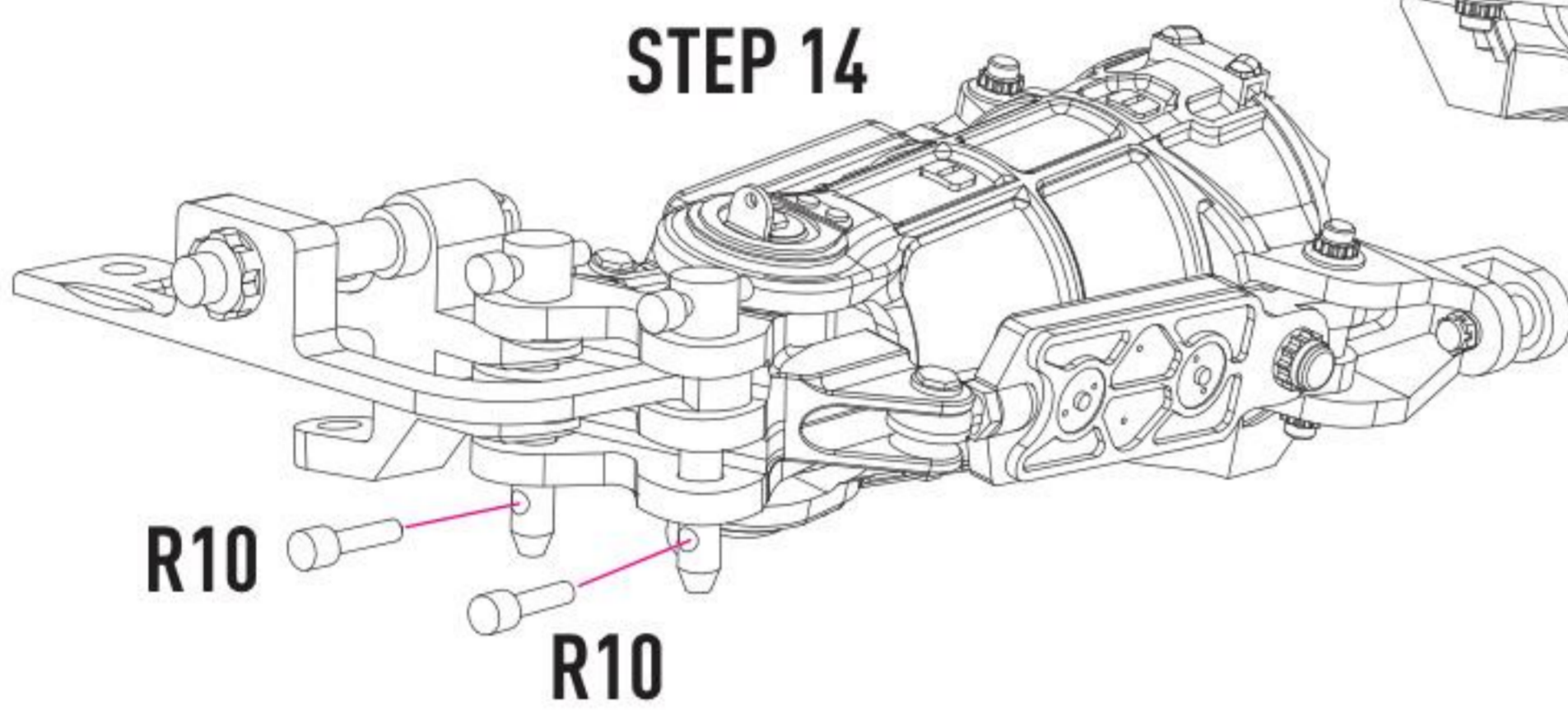
13



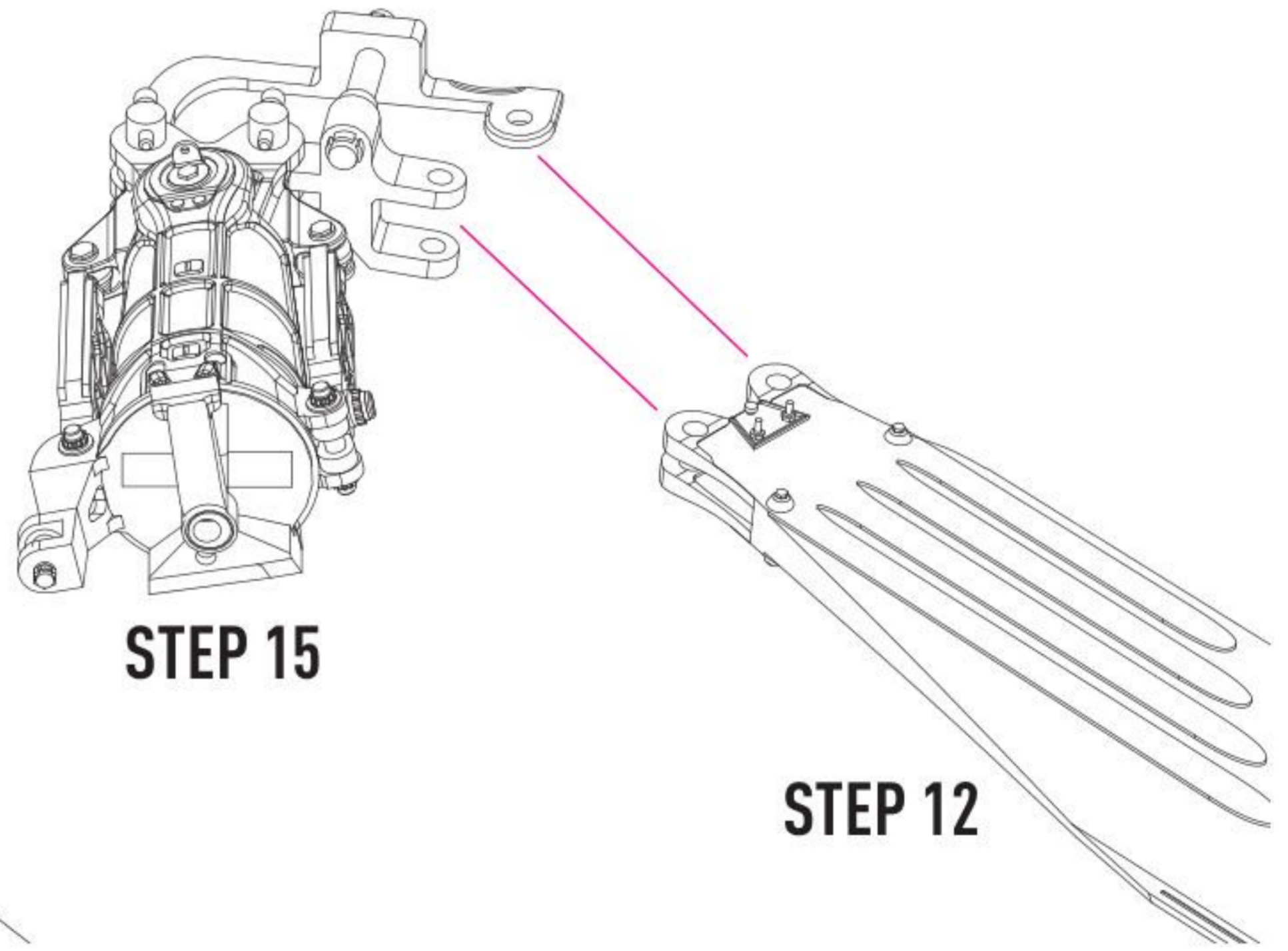
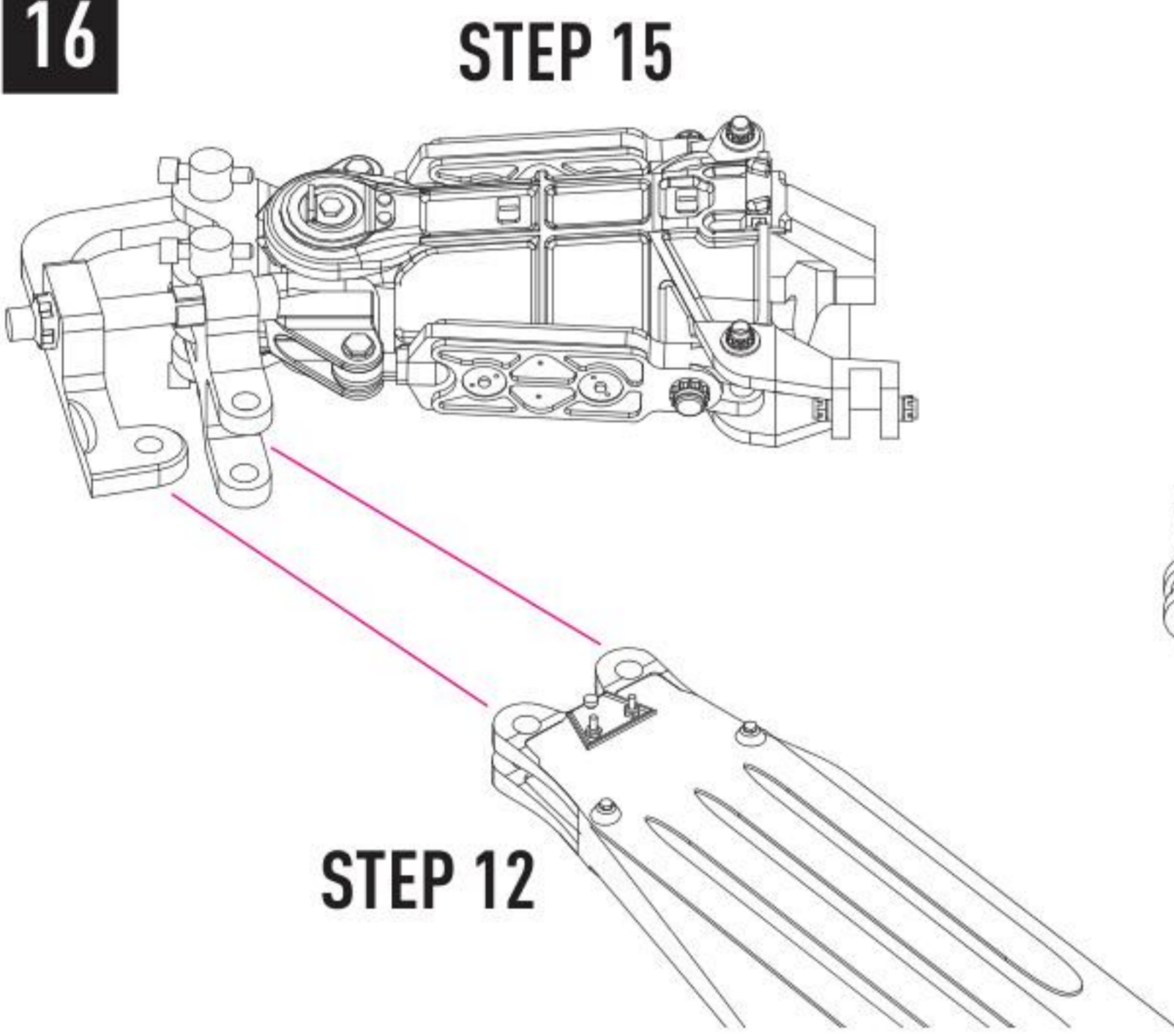
14



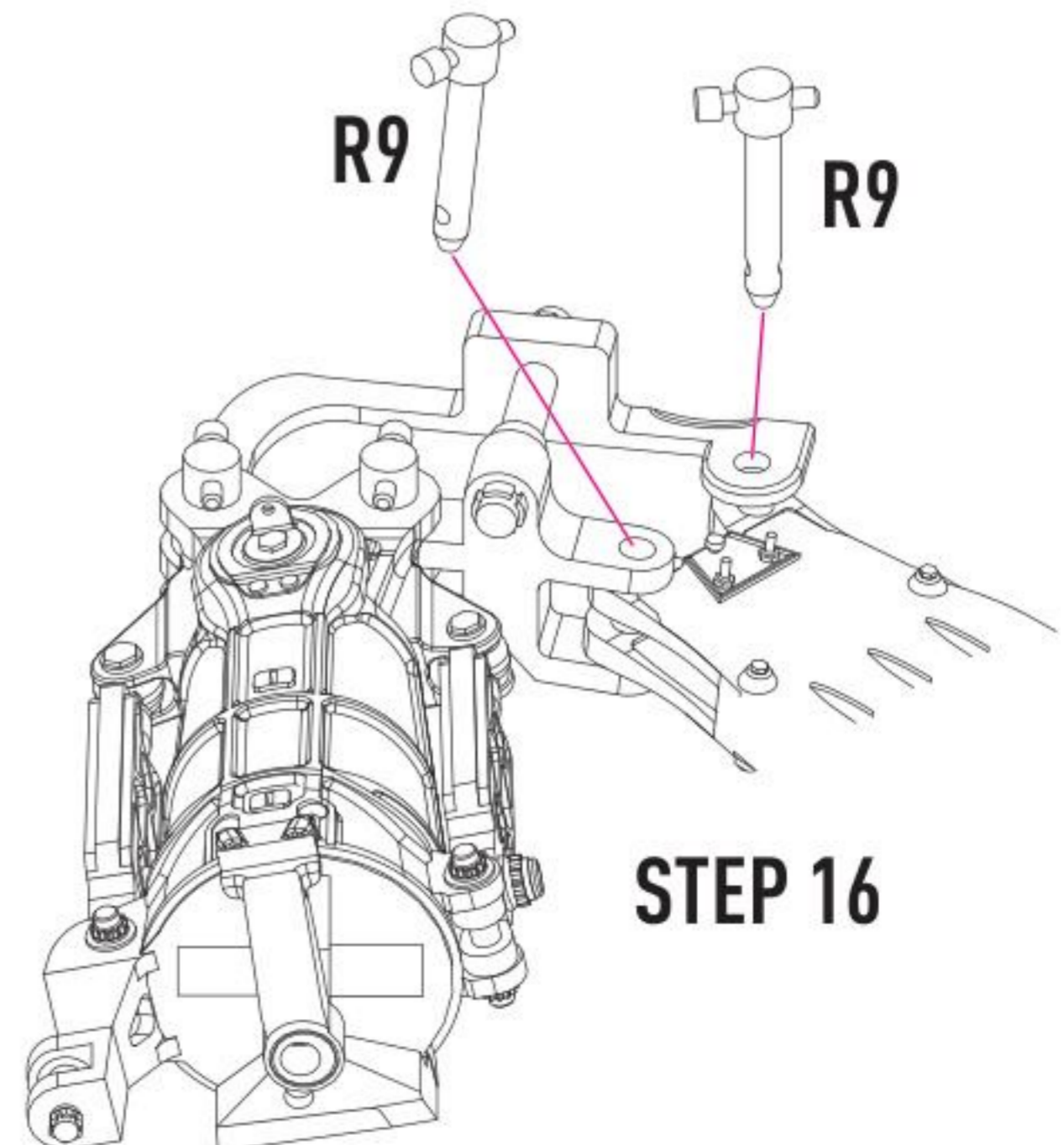
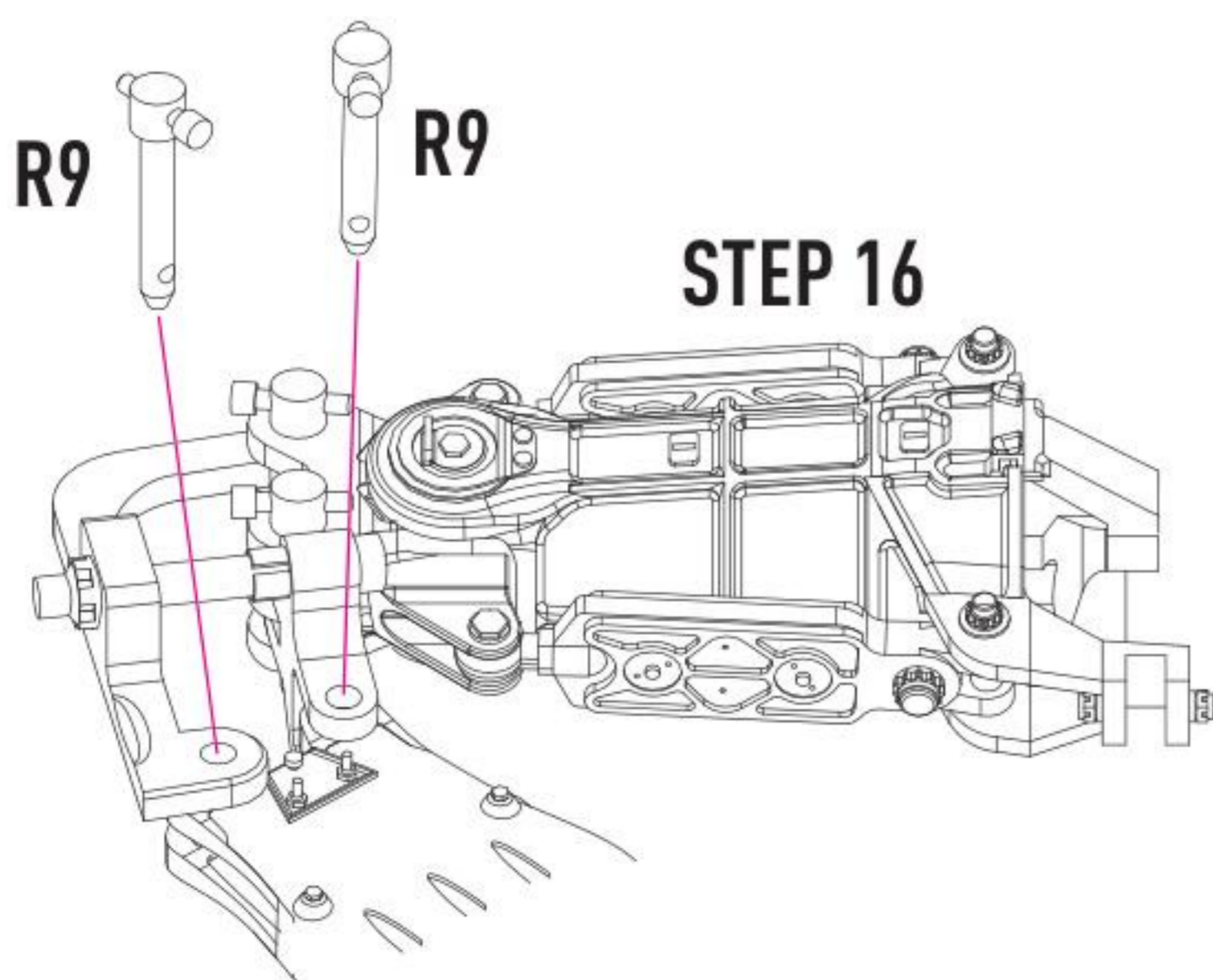
15



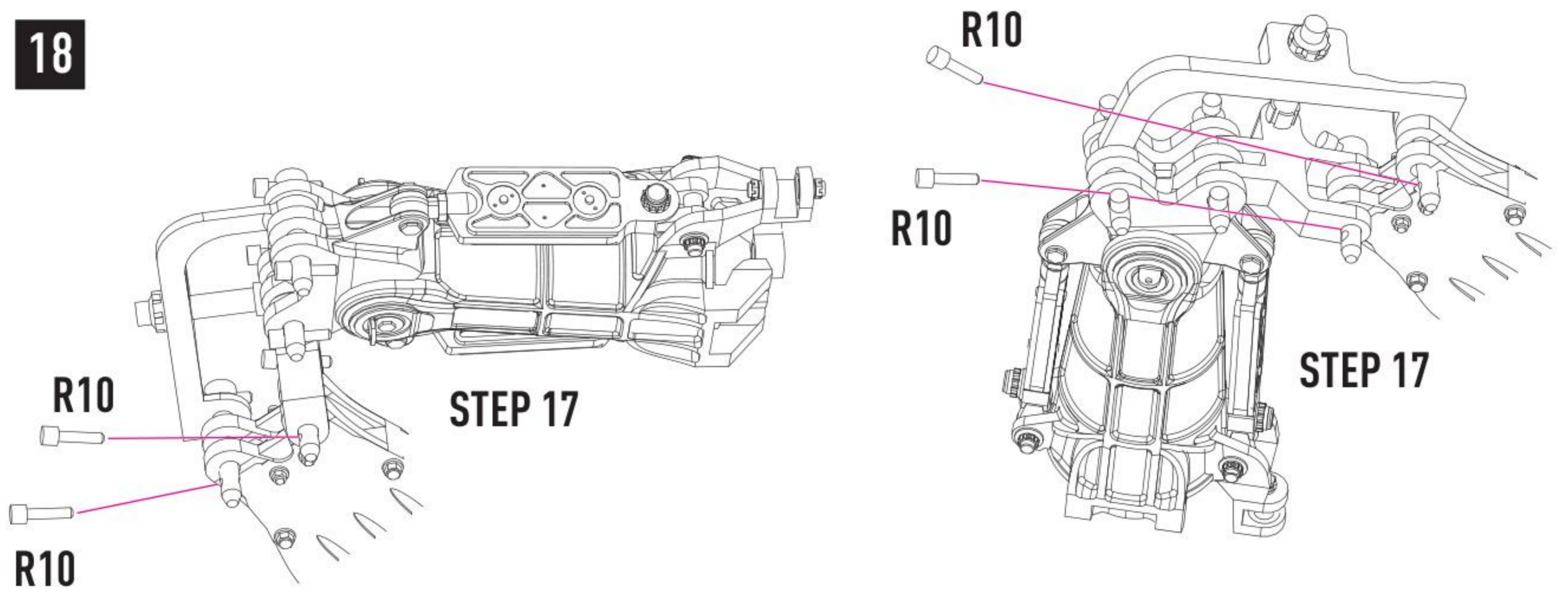
16



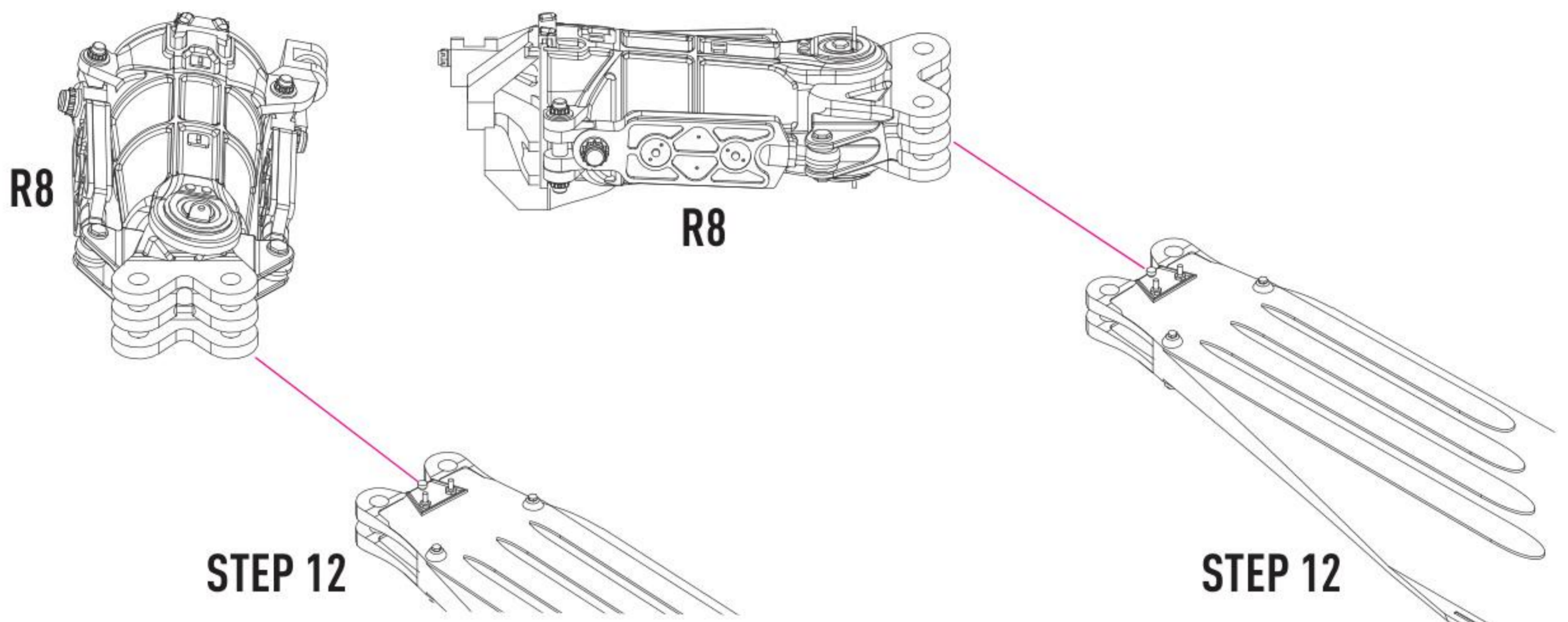
17



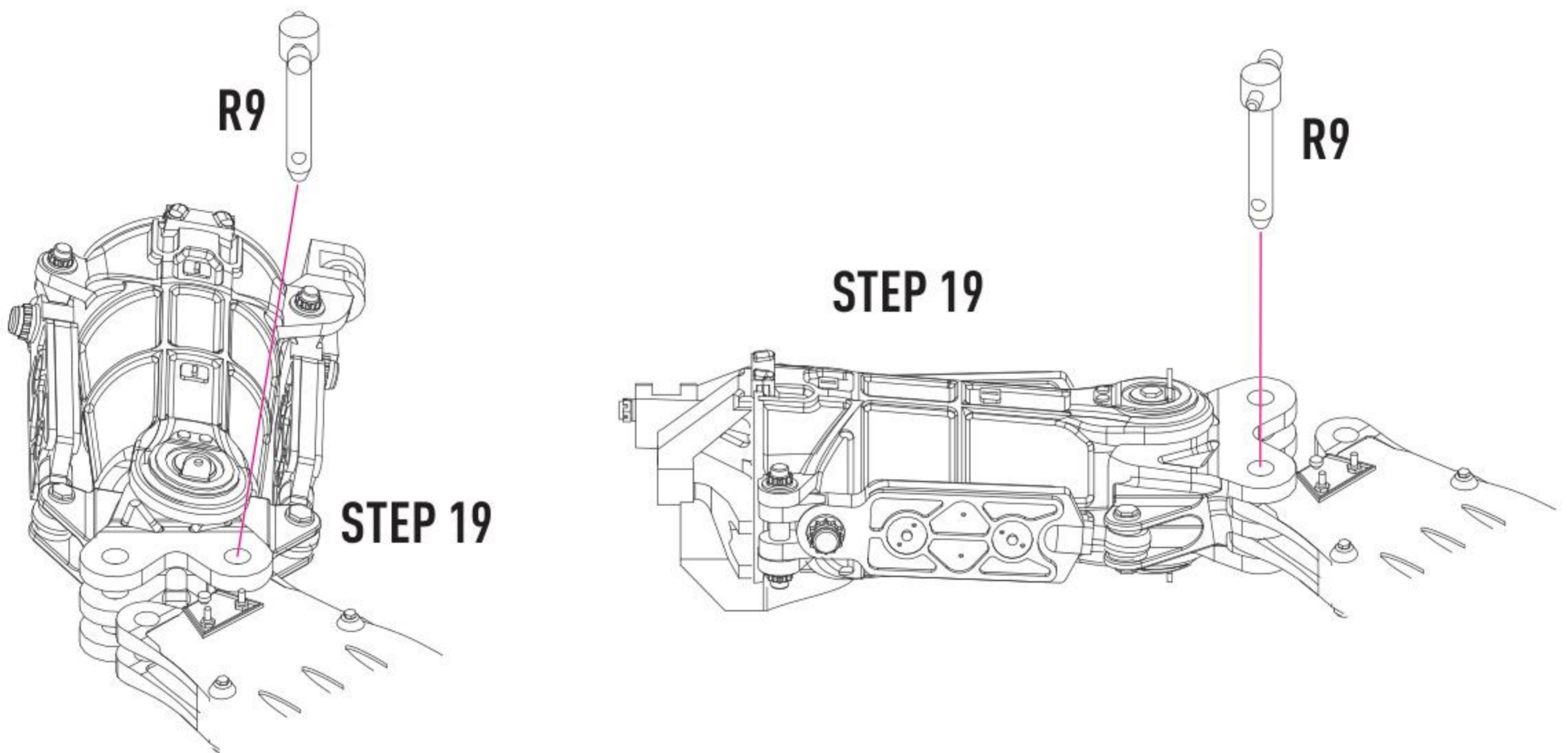
18



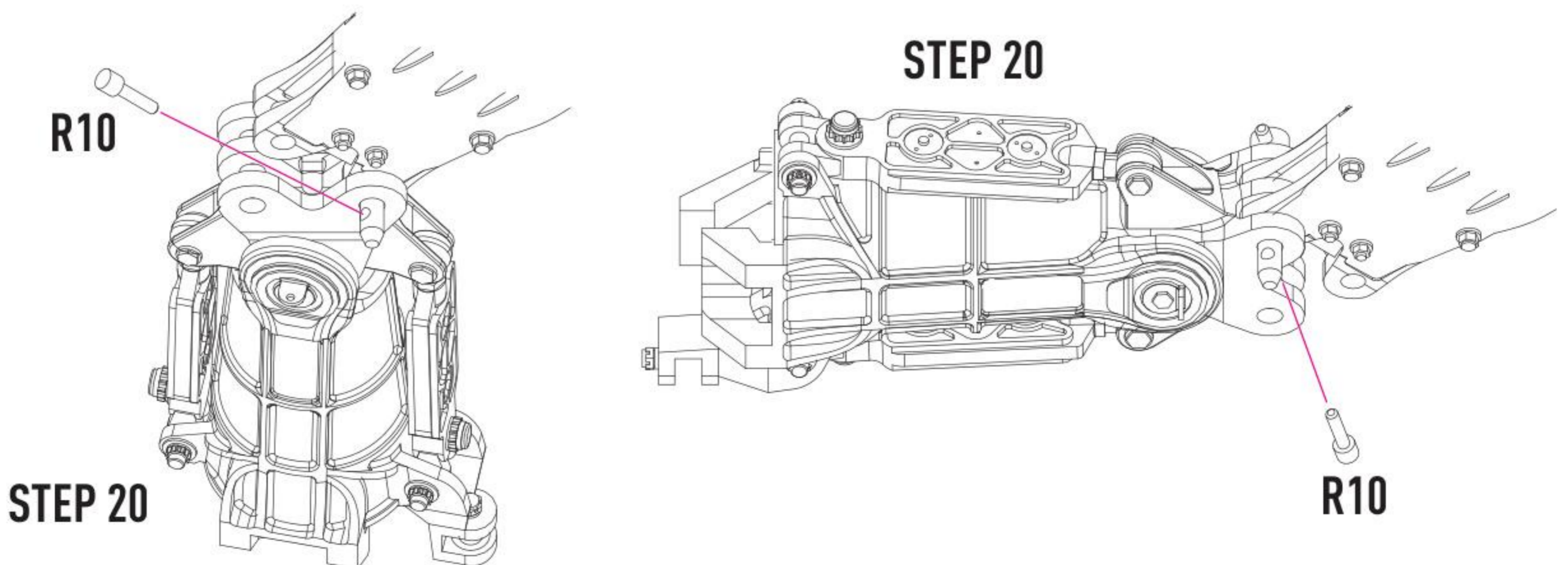
19



20

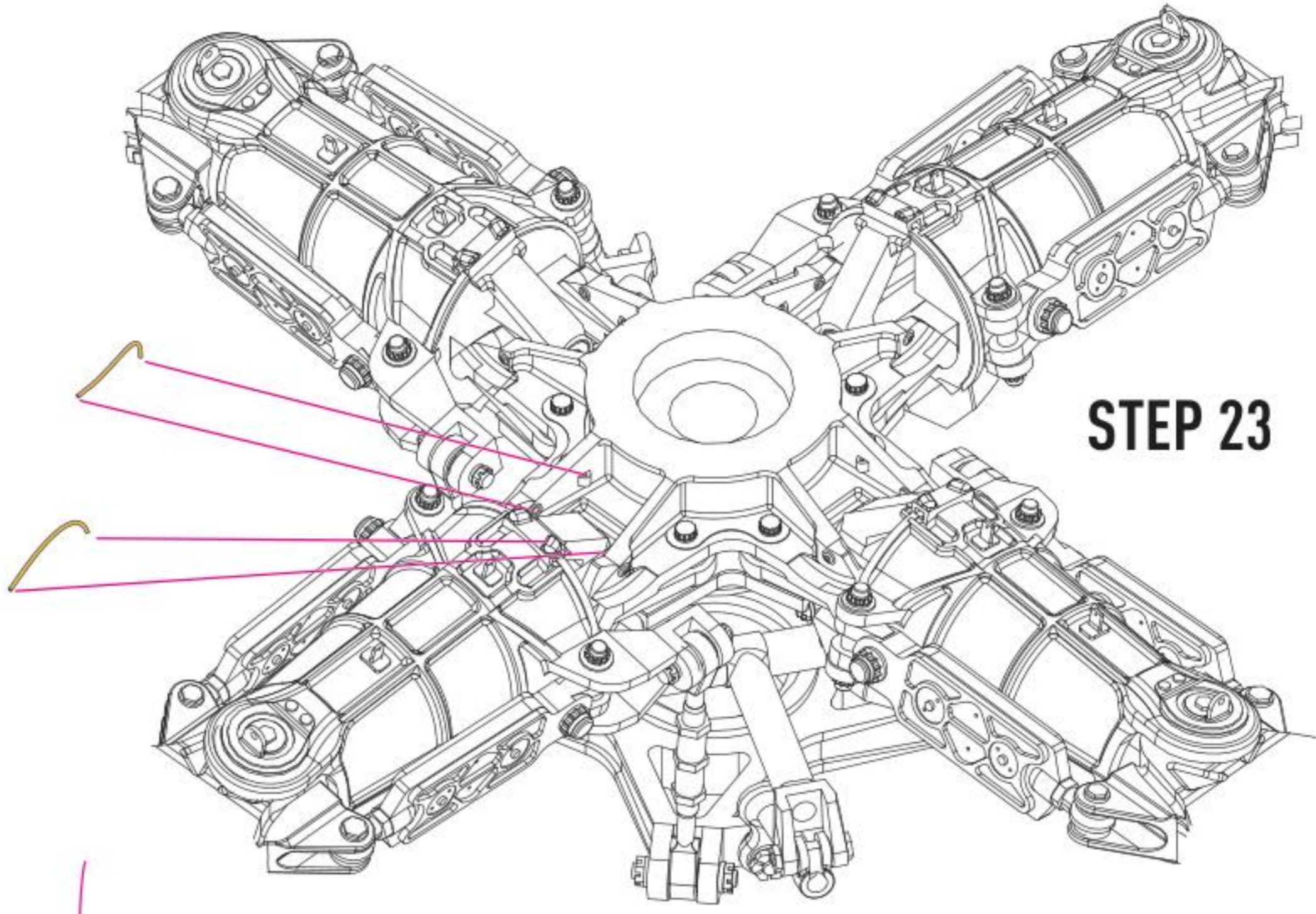


21

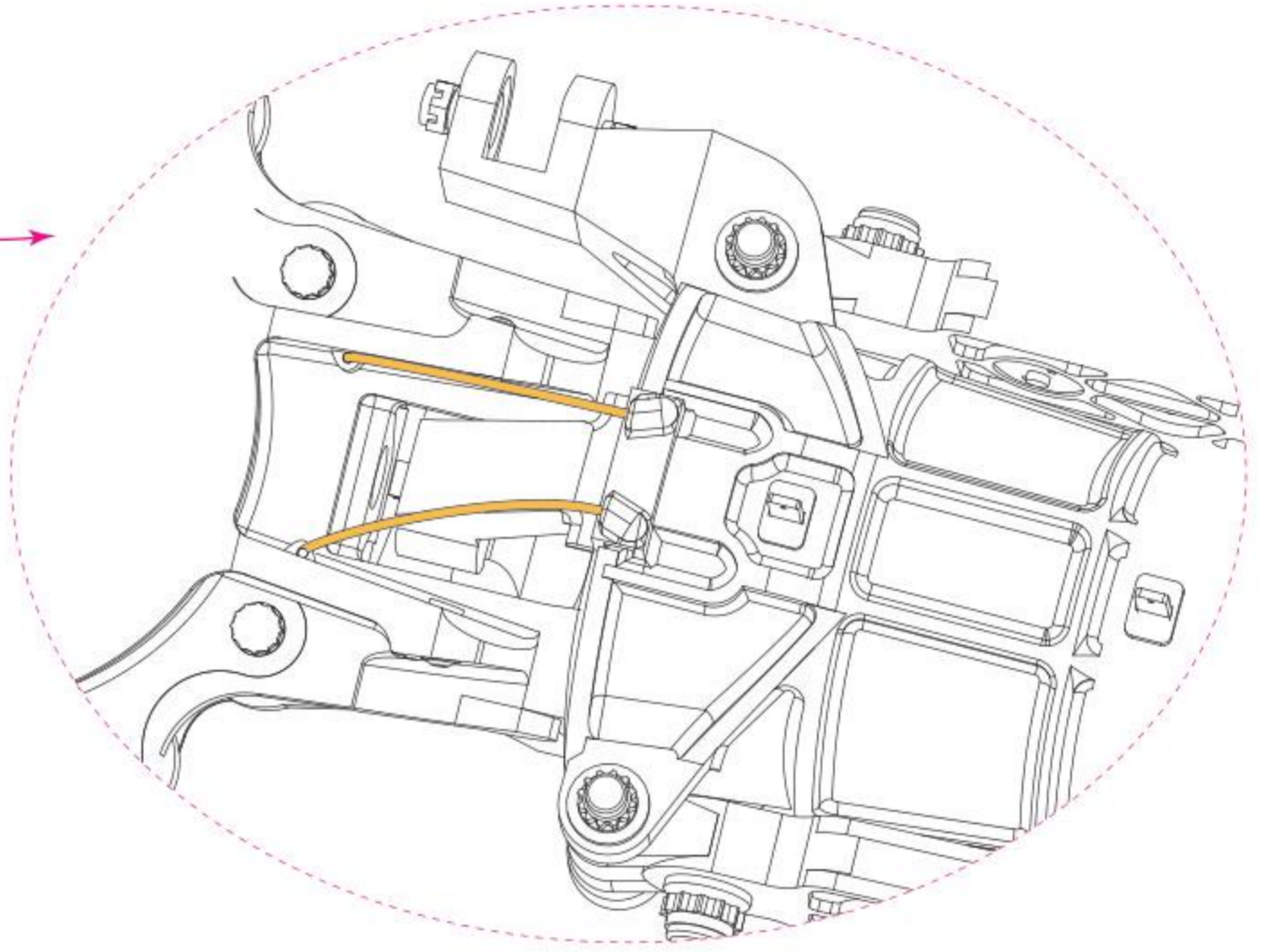


USE WIRE
D = 0.15 MM,
L = 6 MM

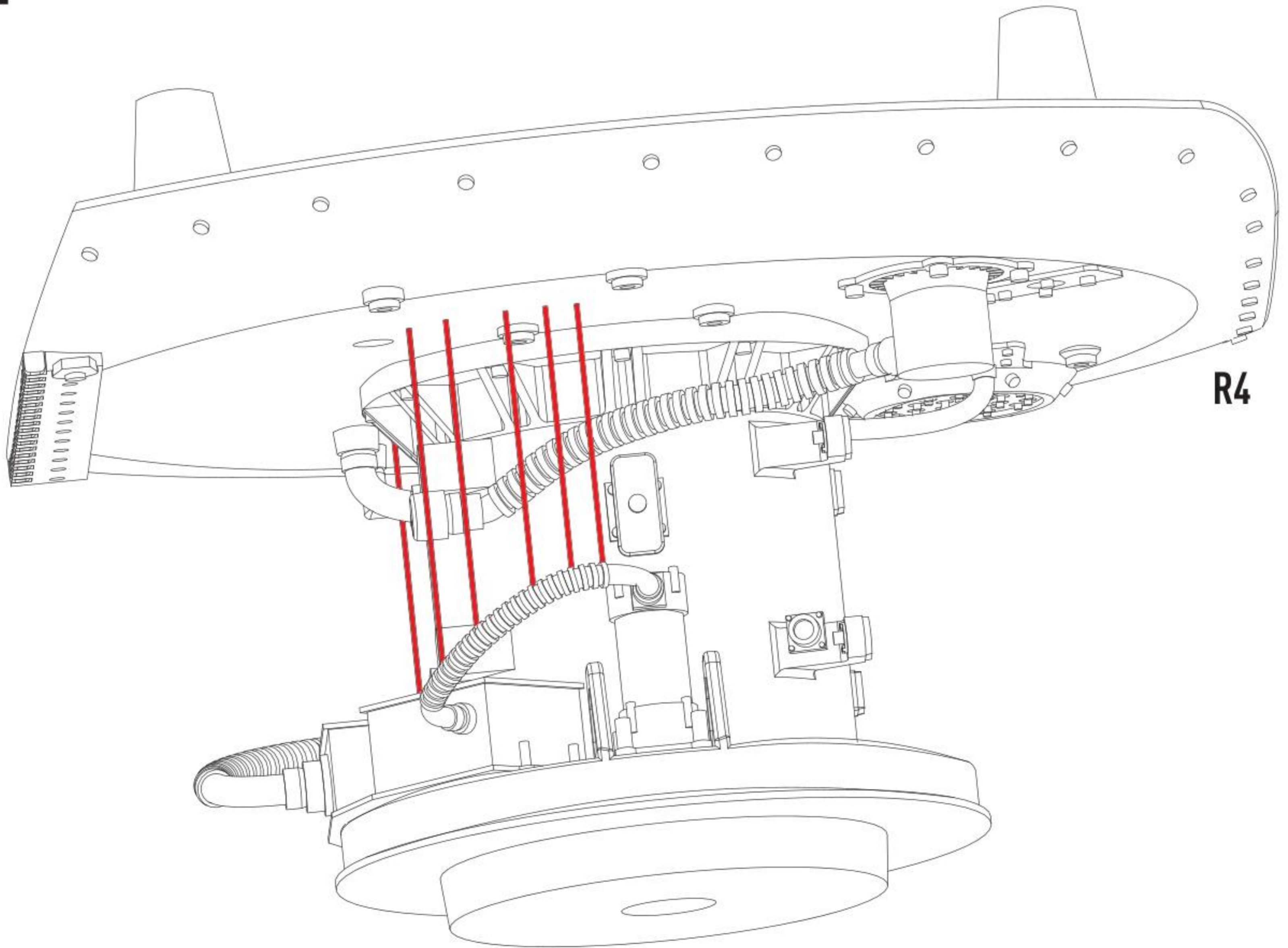
STEP 23



REPEAT FOR ALL OTHER SIDES

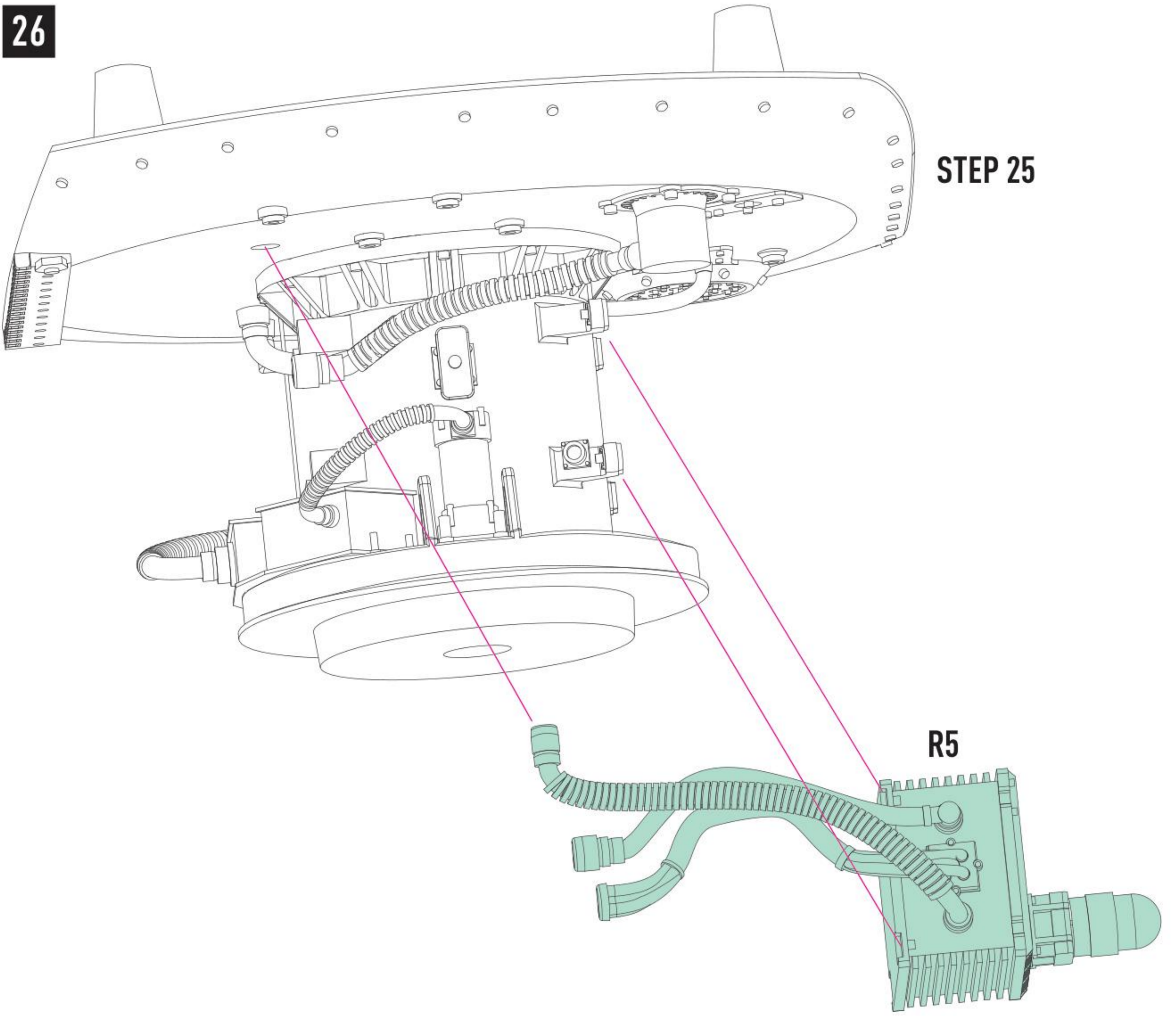


25 REMOVE SUPPORTS AND REPEAT ON THE OTHER SIDE

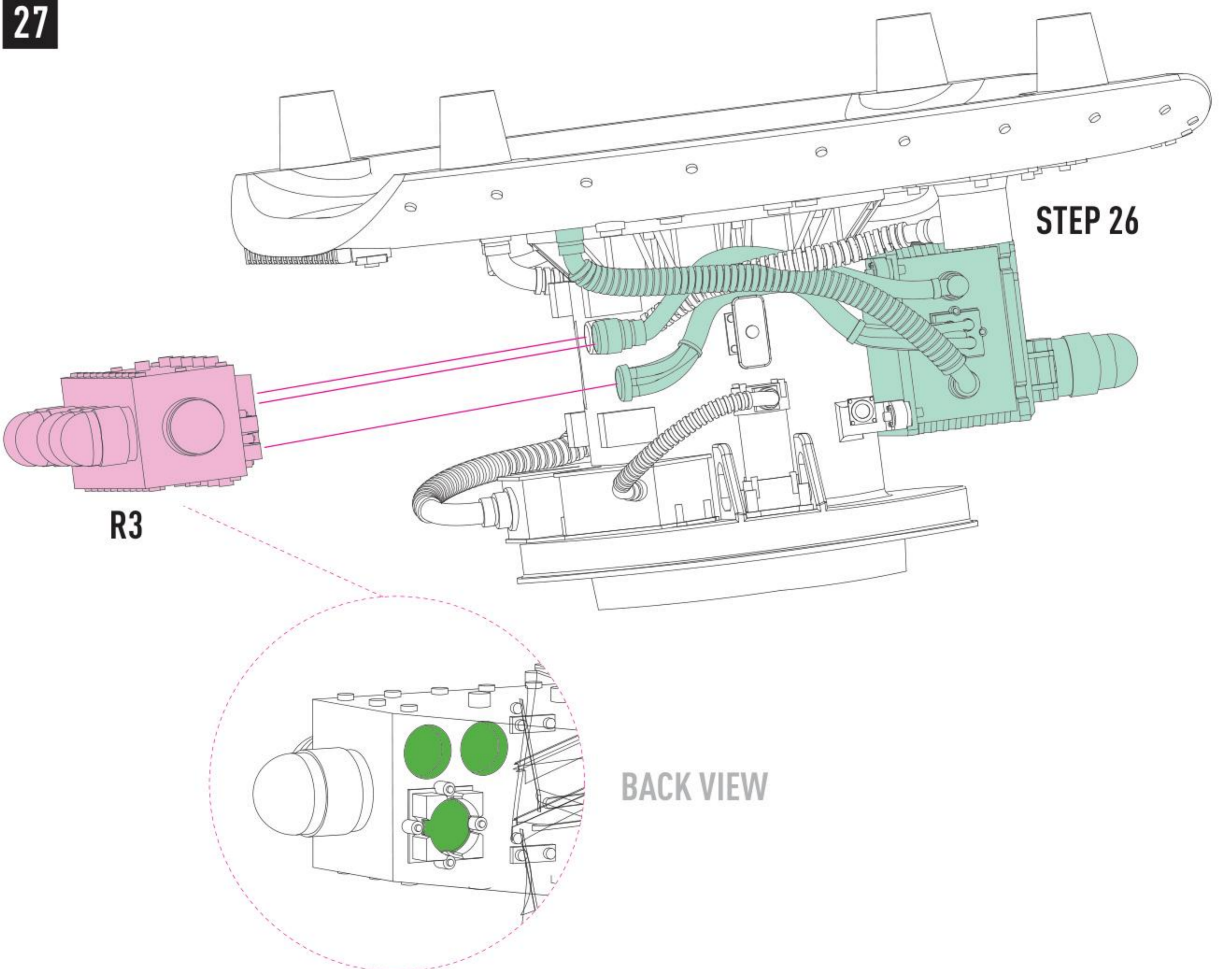


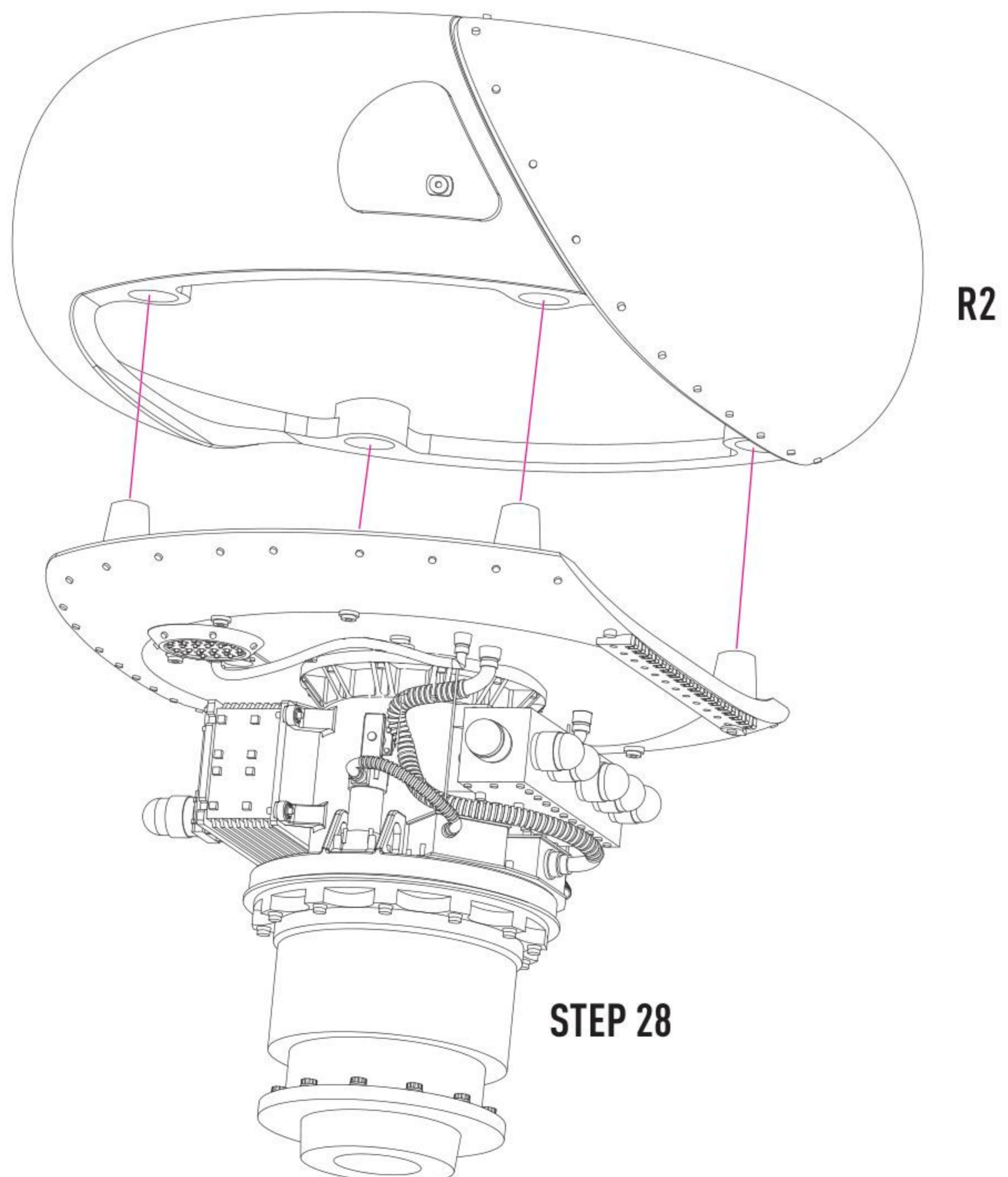
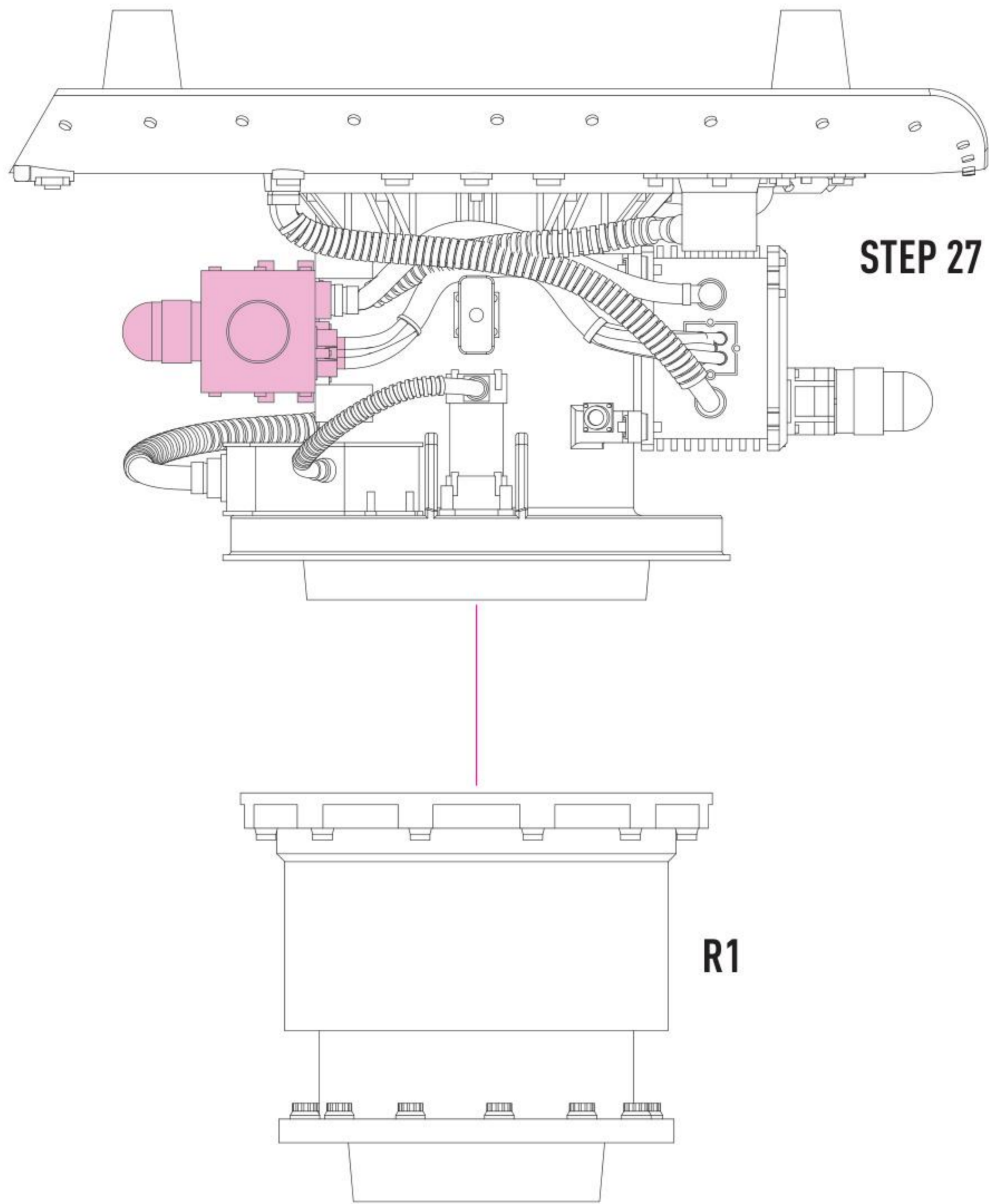
AN/APG-78 LONGBOW

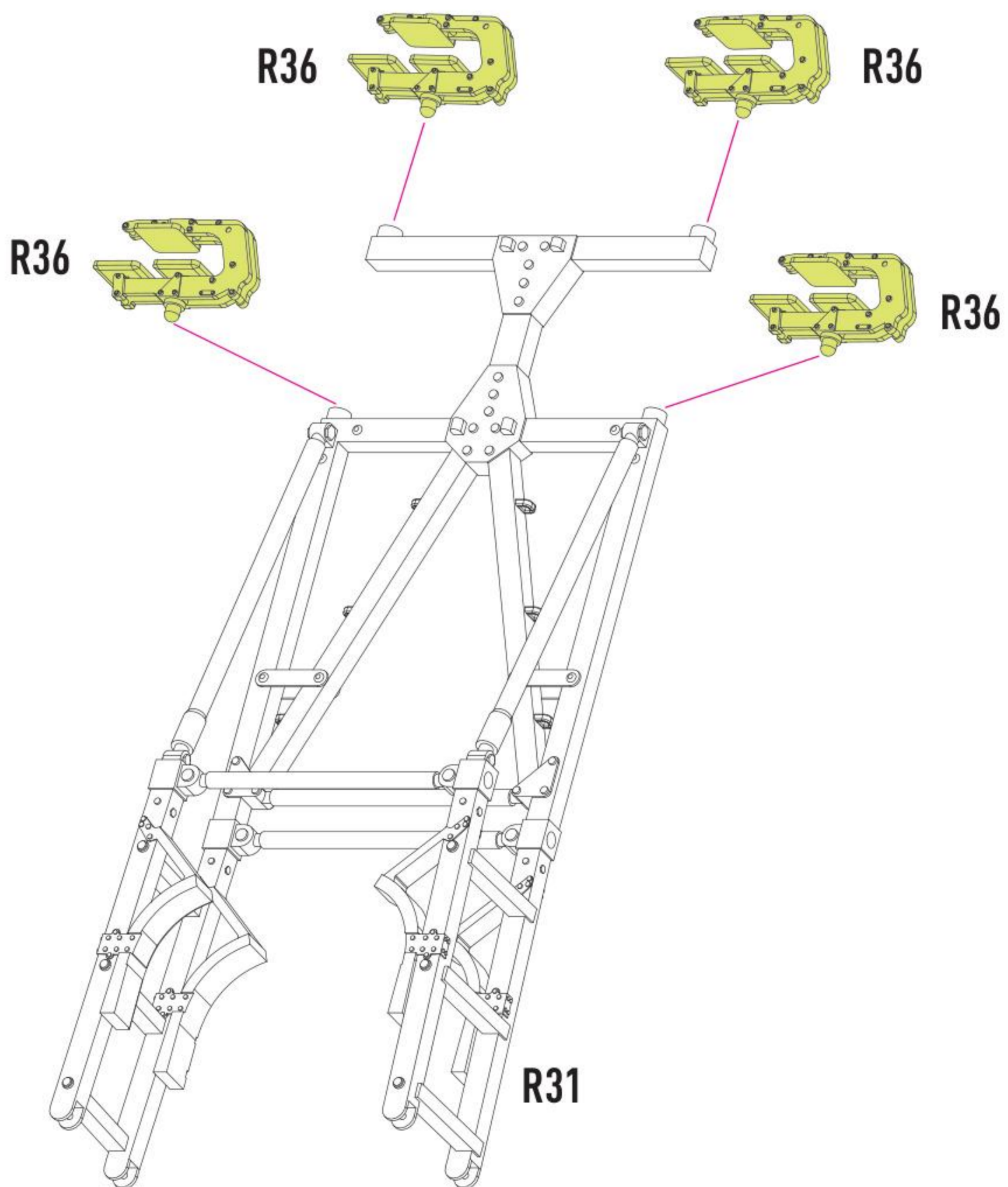
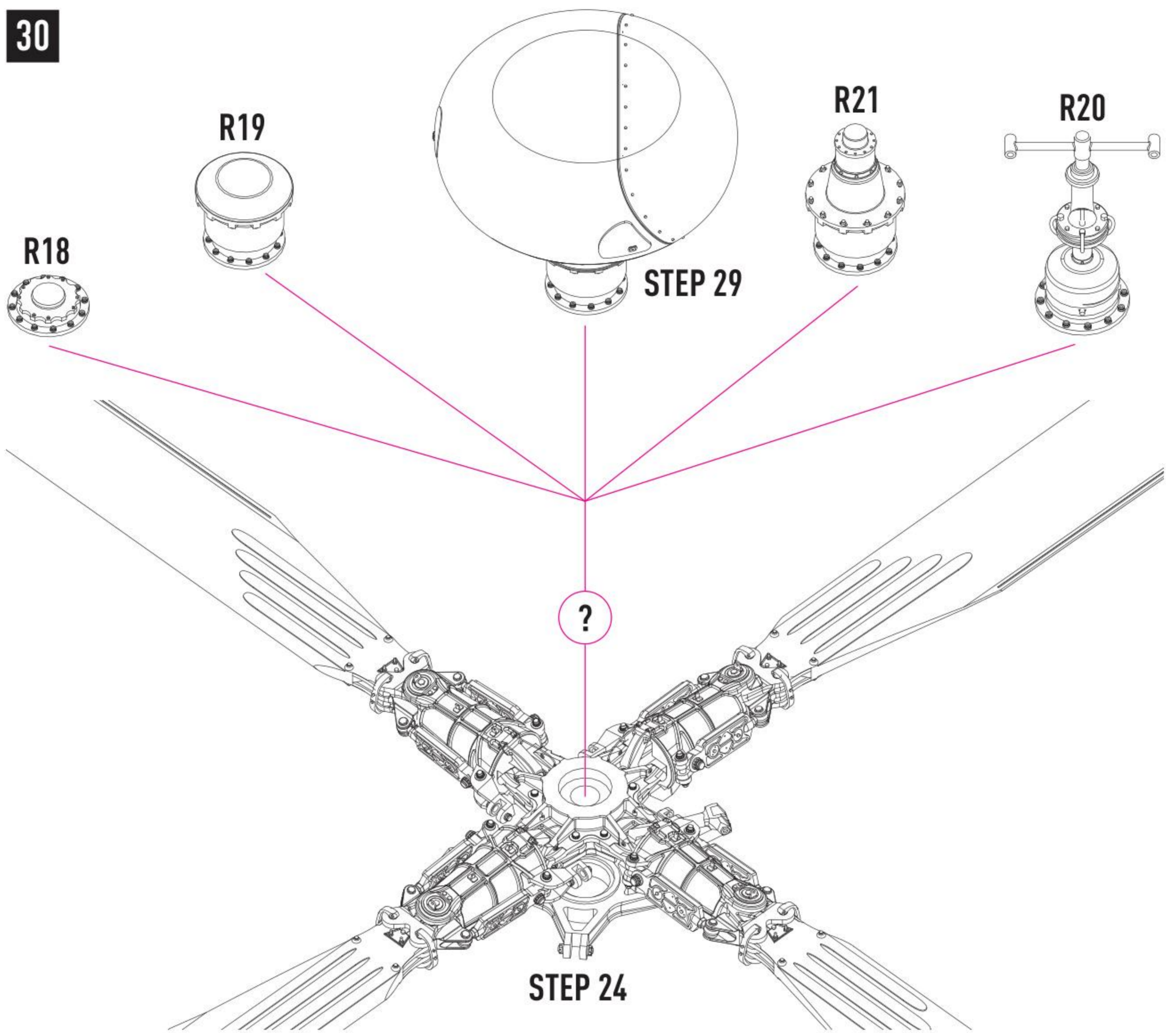
26

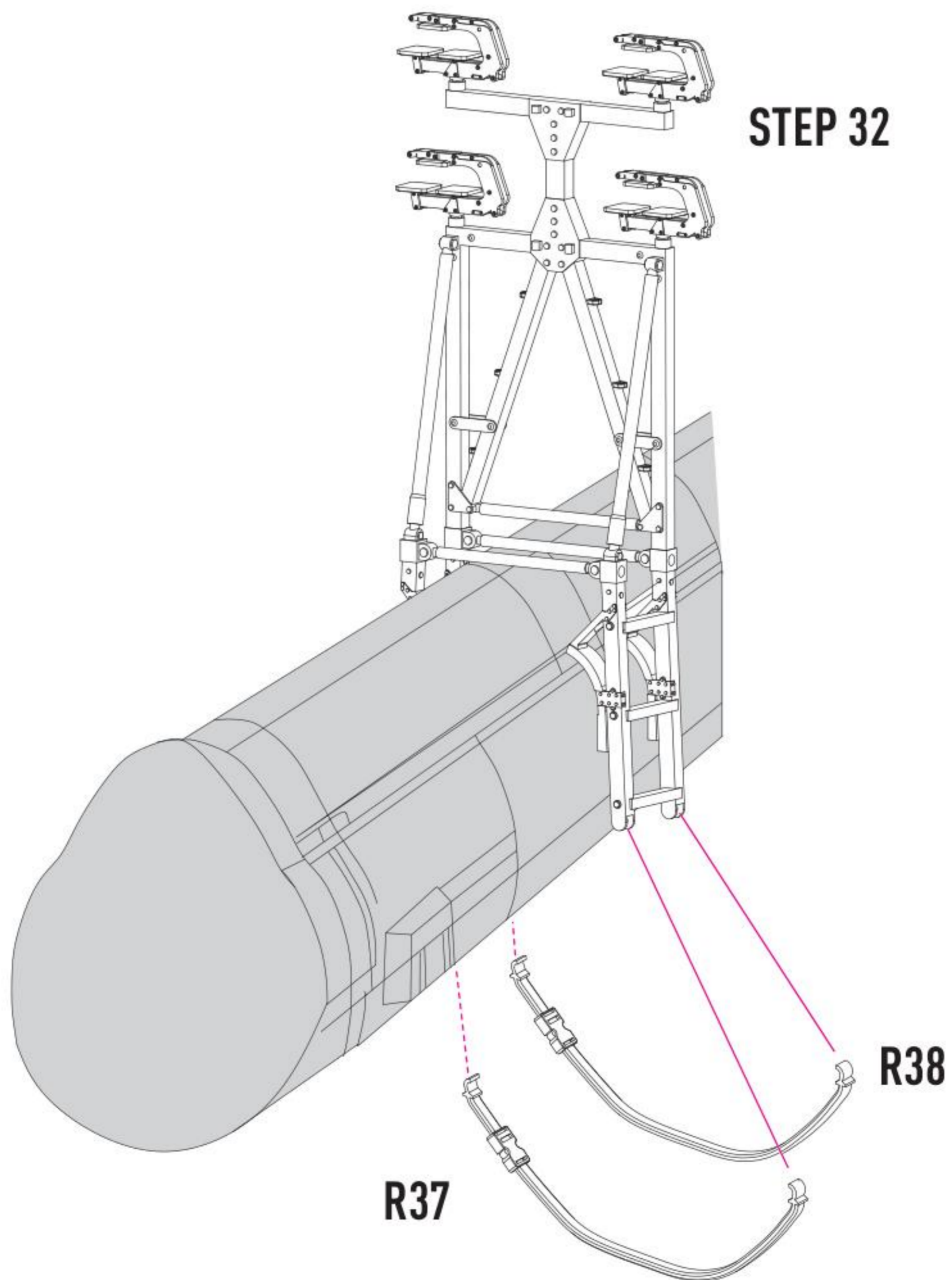
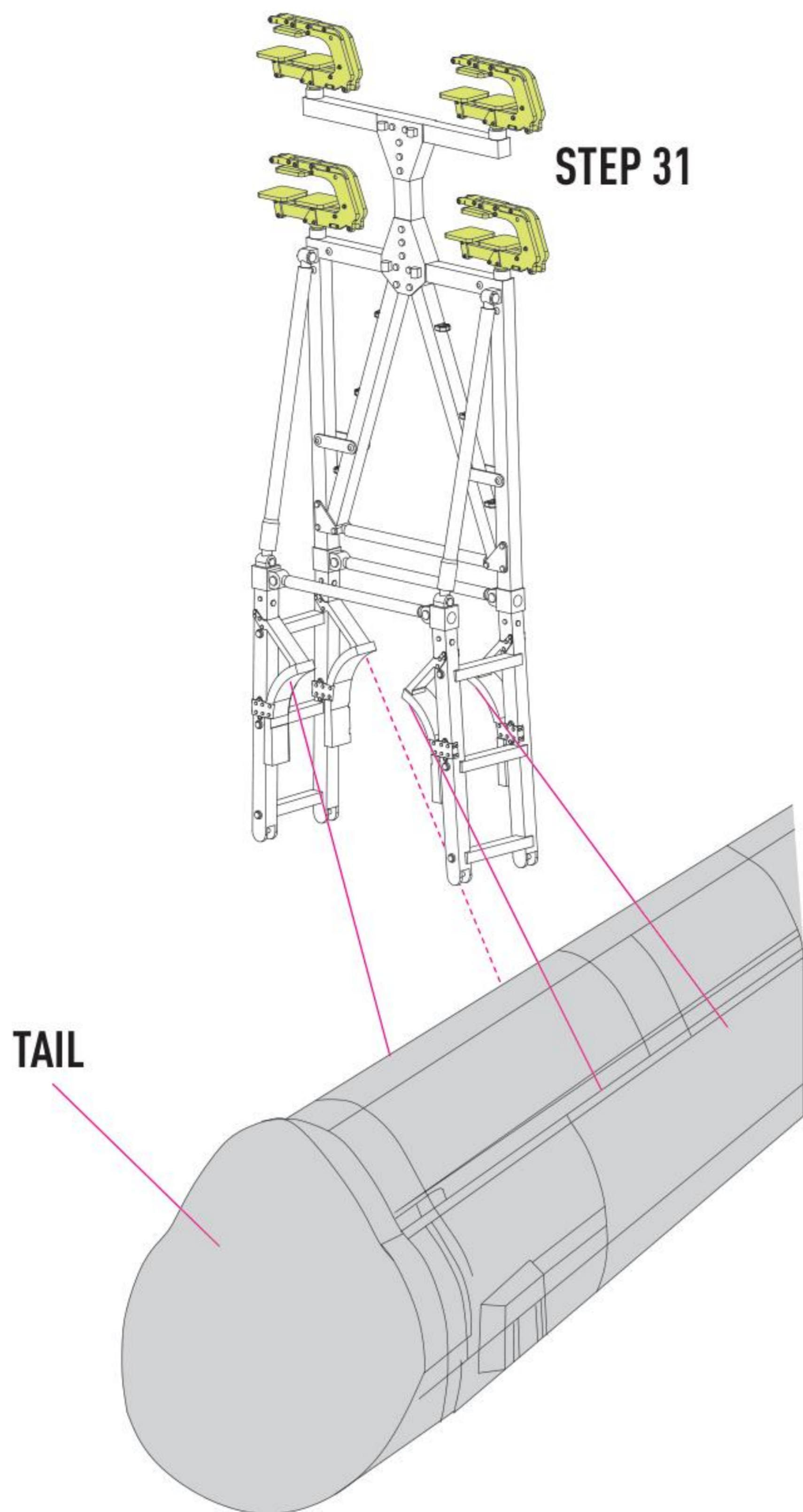


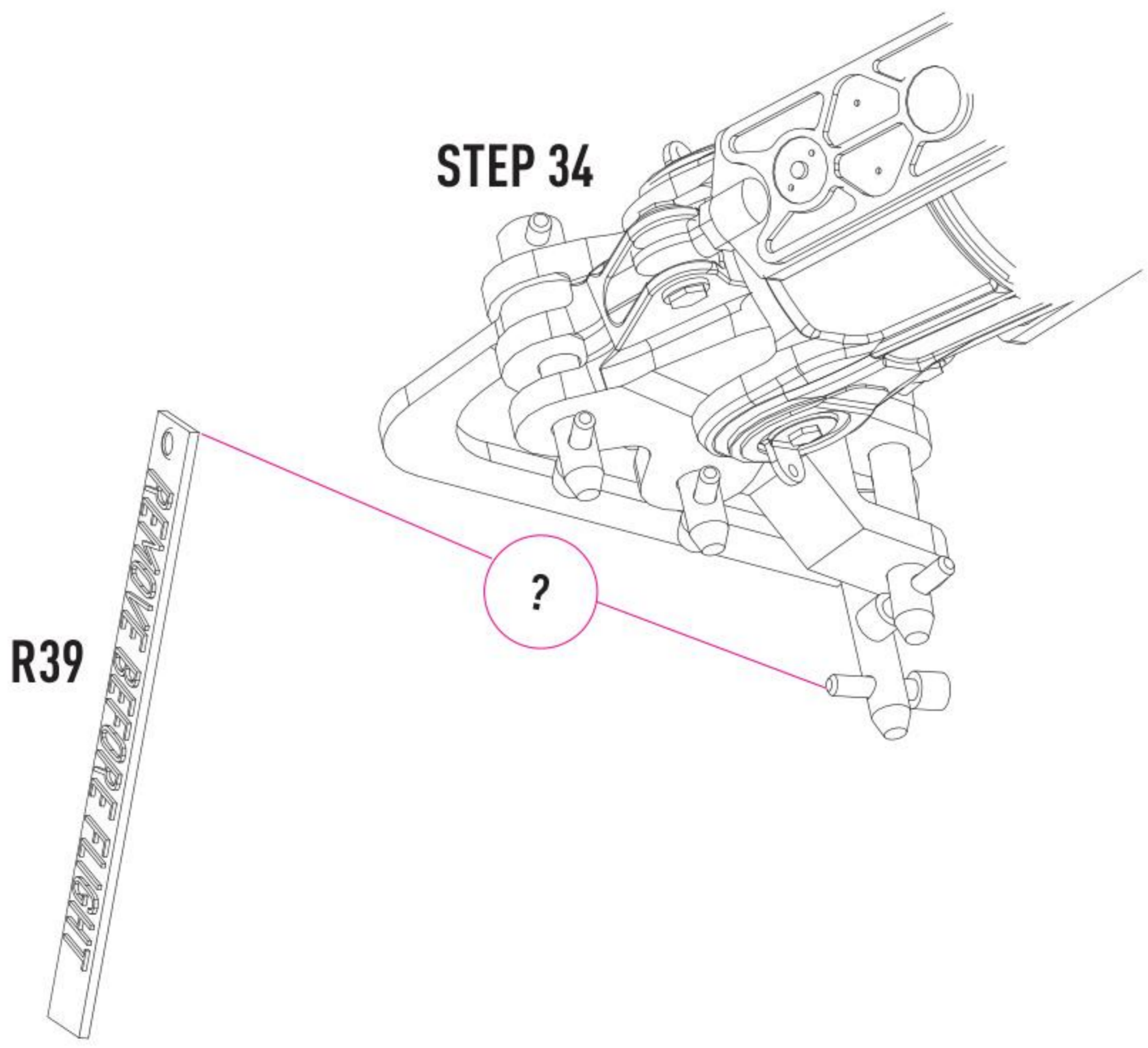
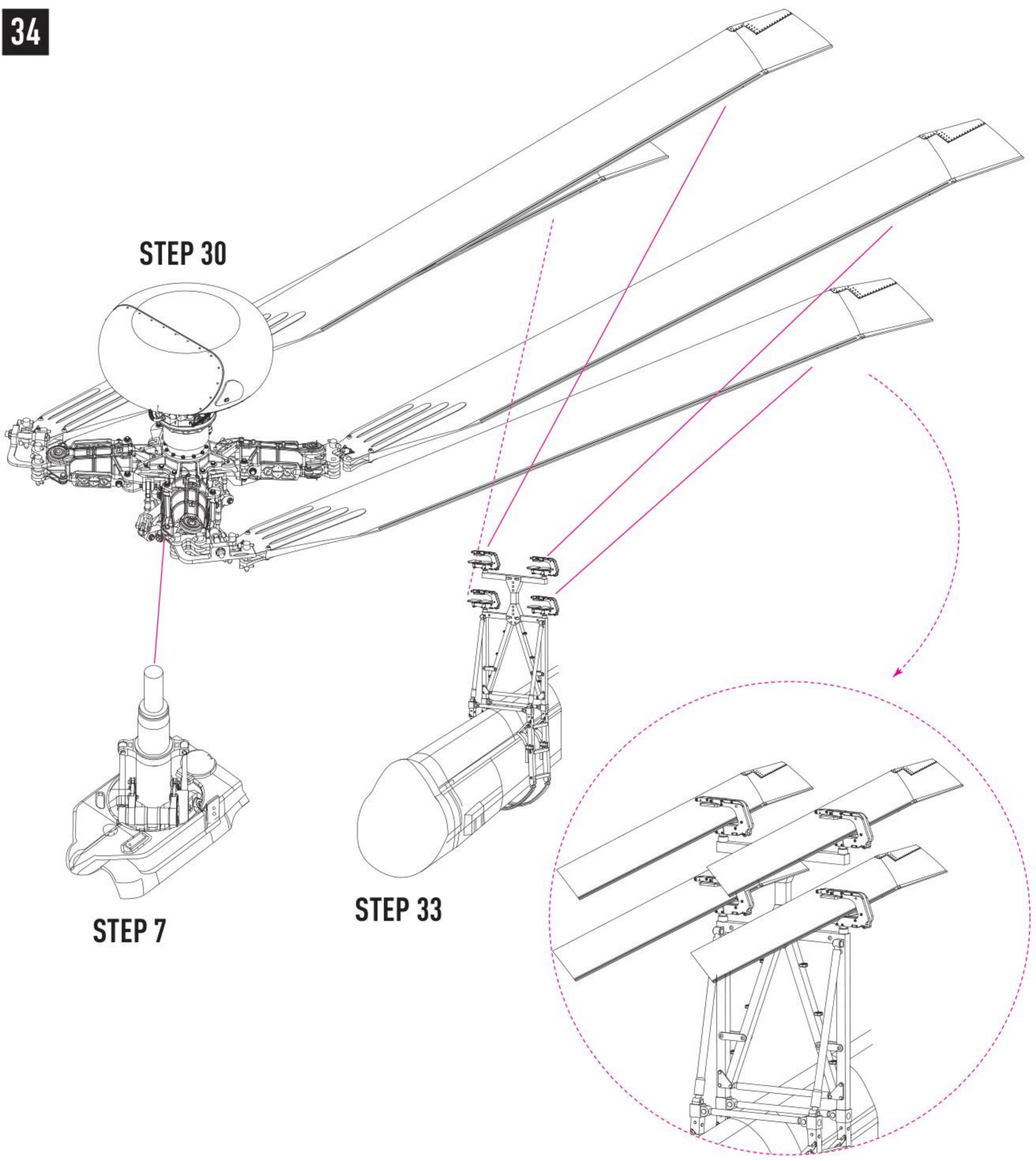
27





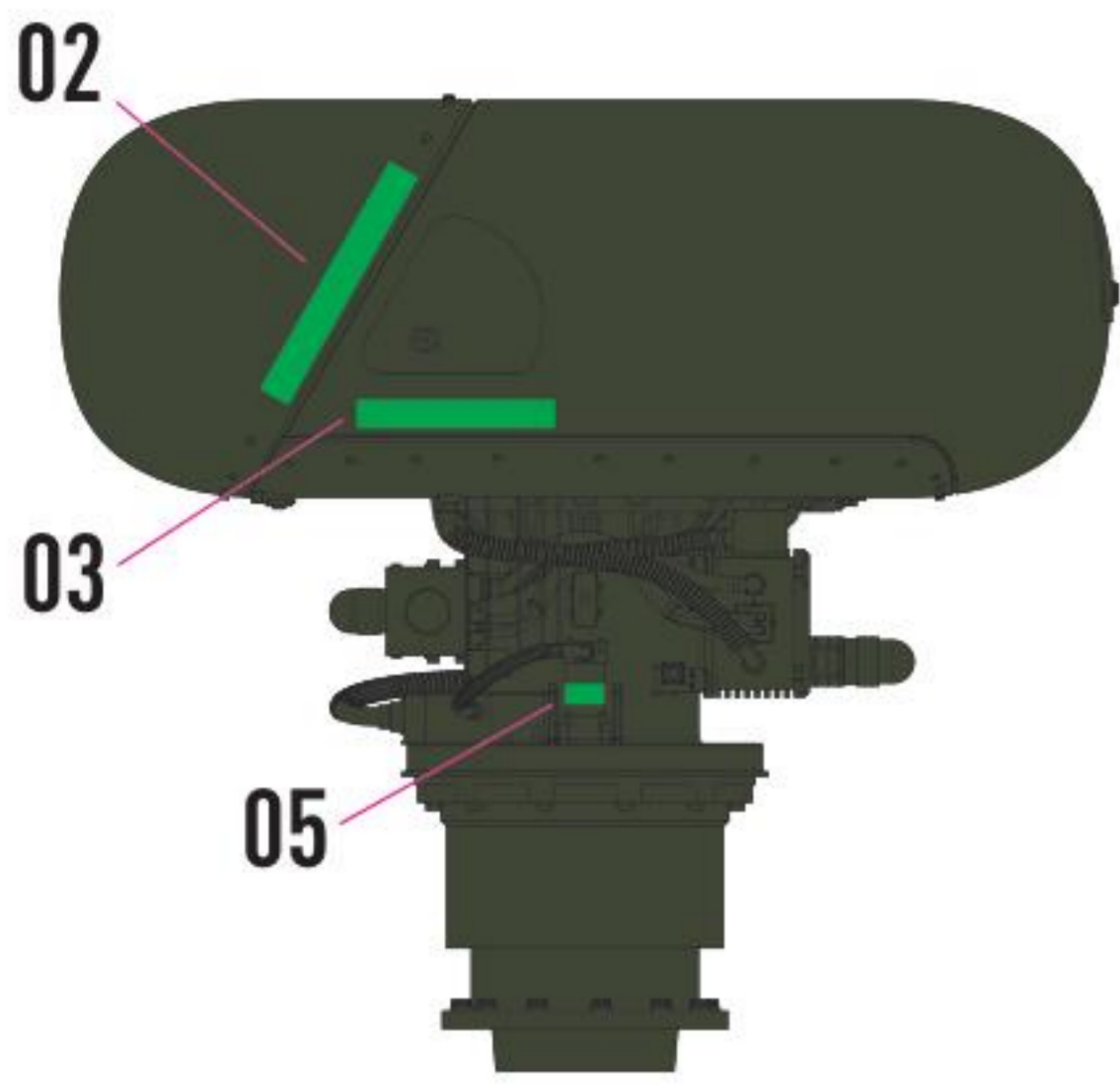






DECAL INSTRUCTION

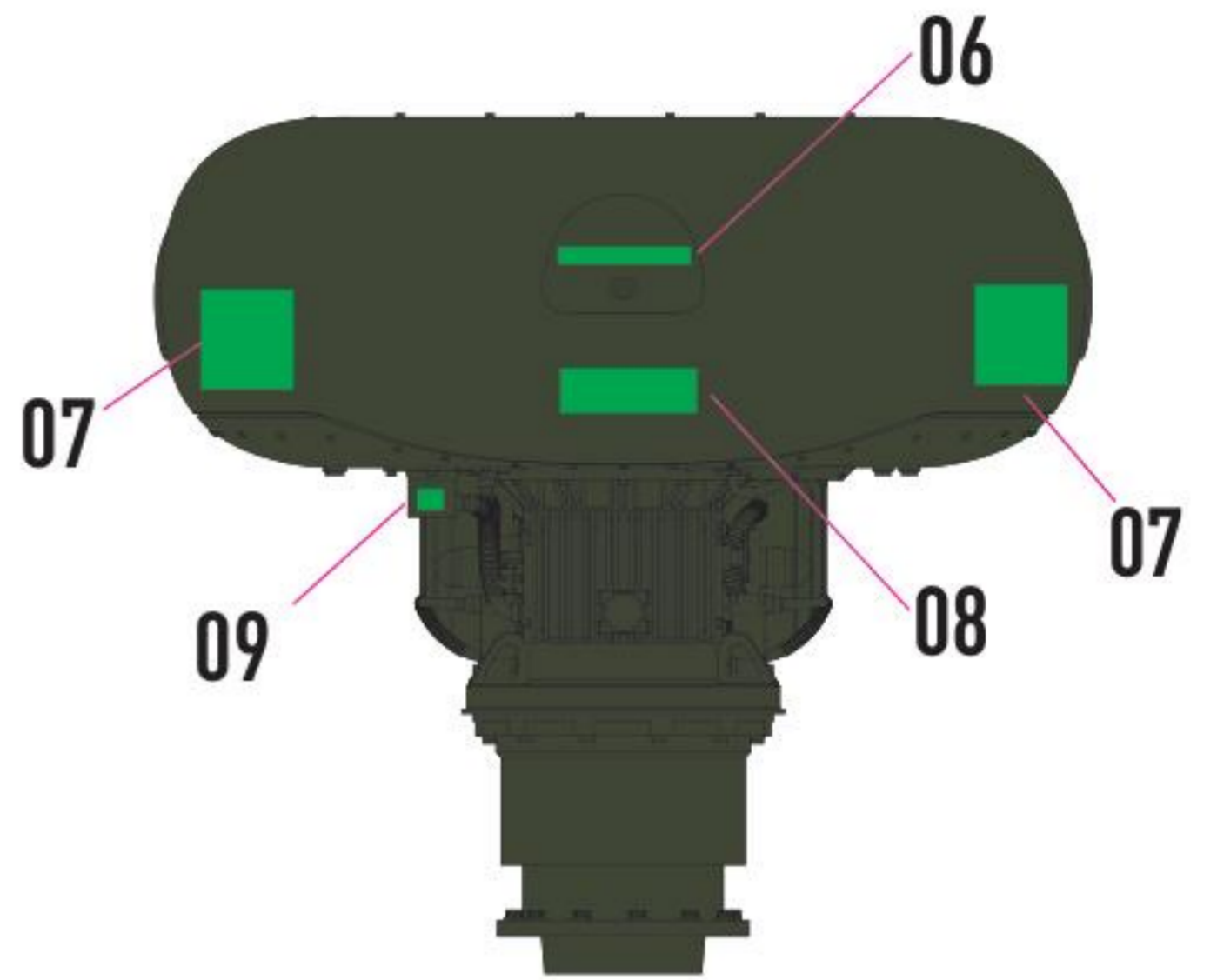
AN/APG-78 LONGBOW



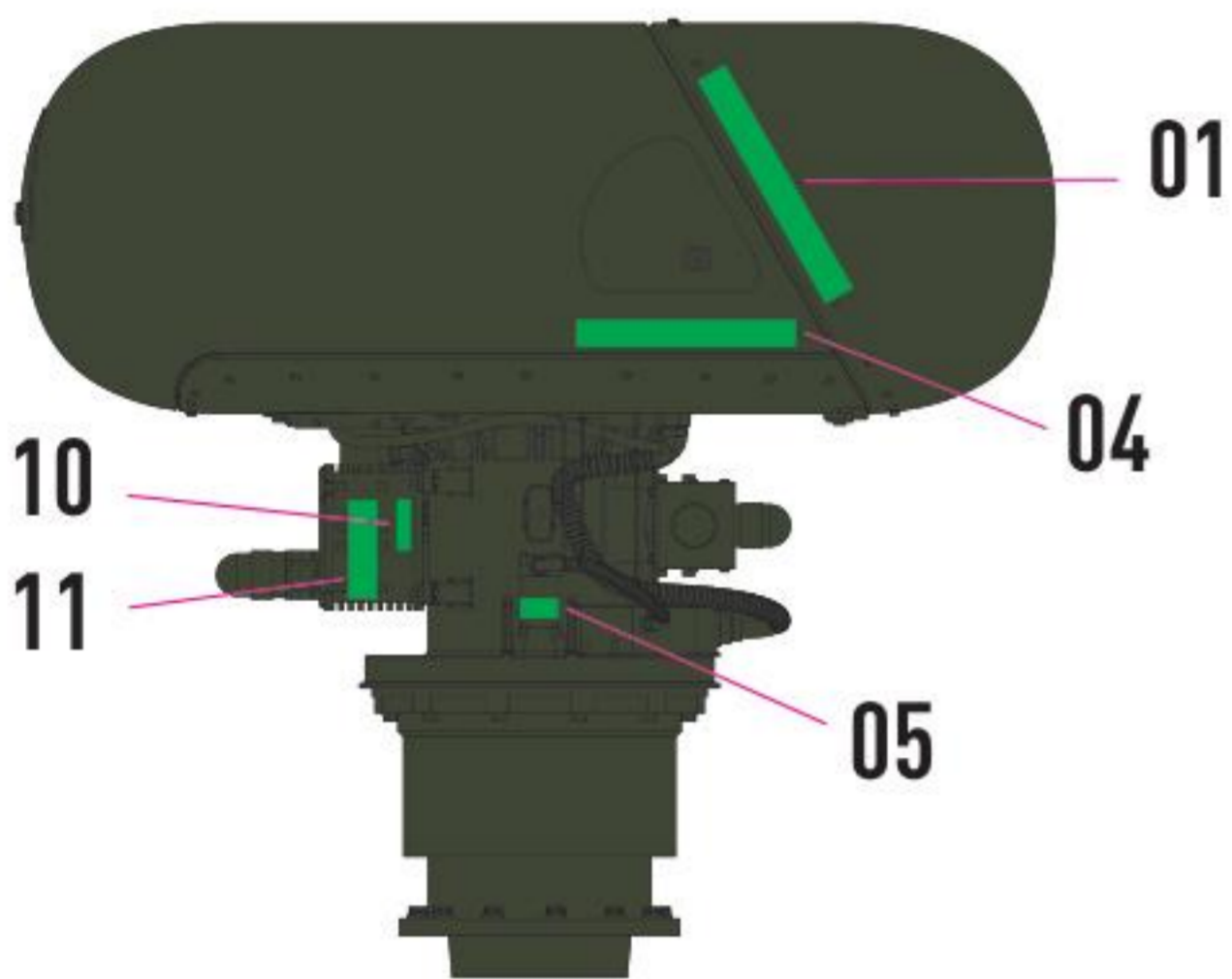
FRONT VIEW



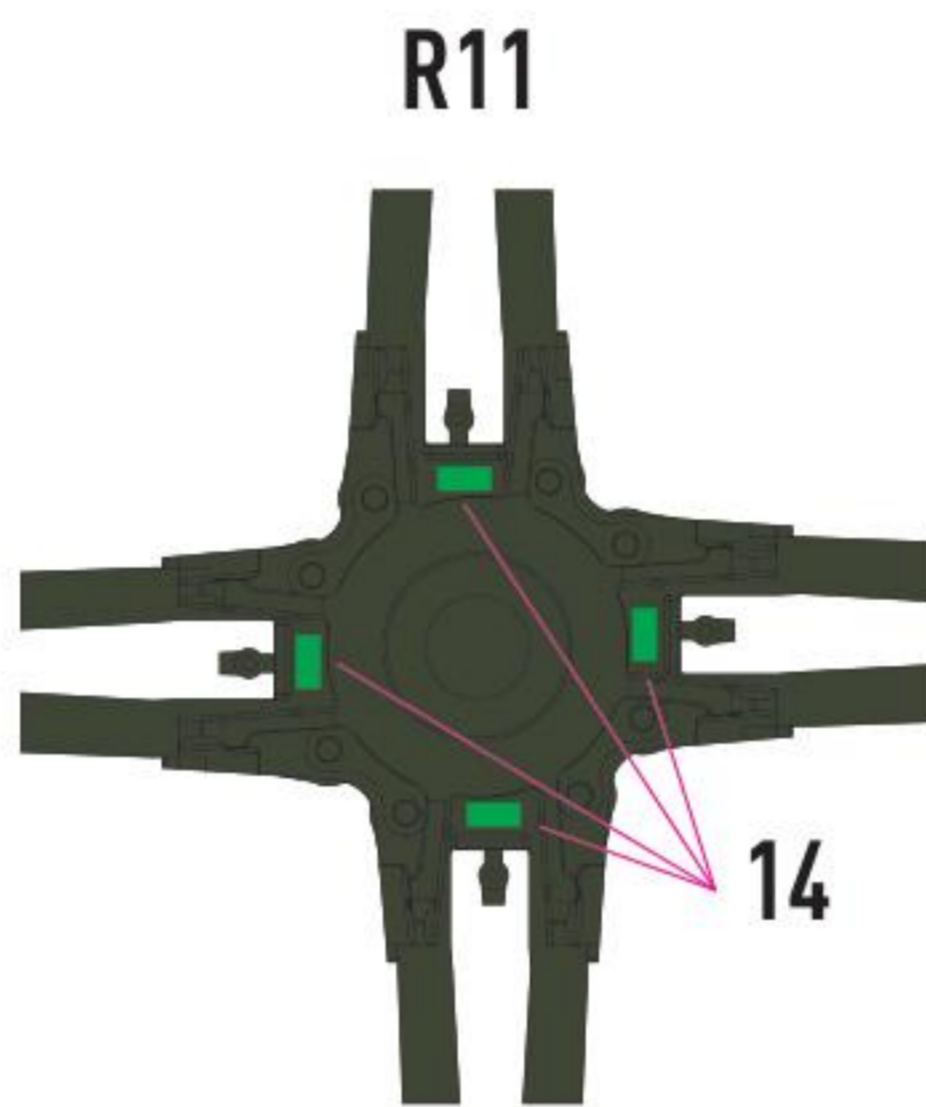
RIGHT VIEW



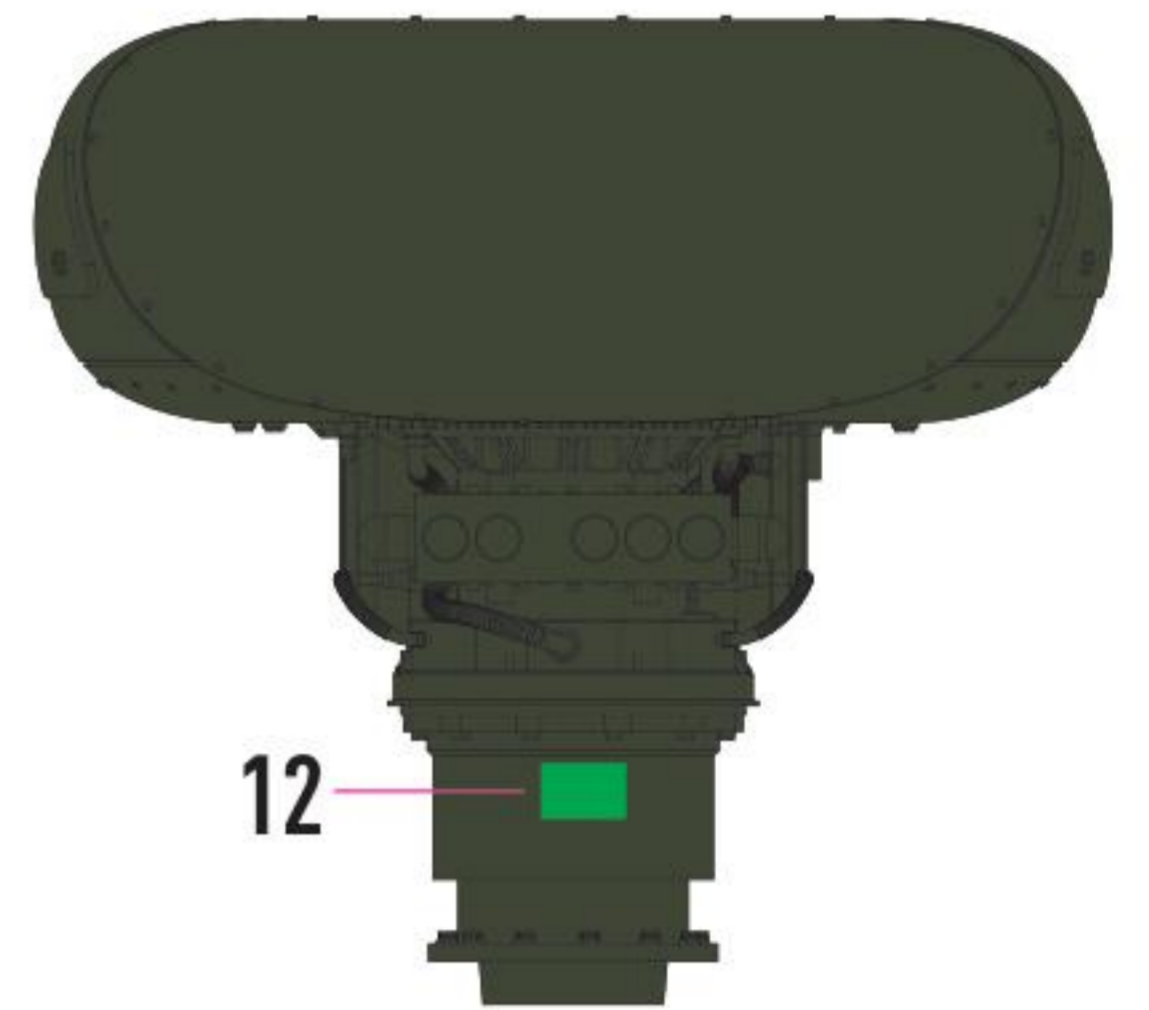
RIGHT VIEW



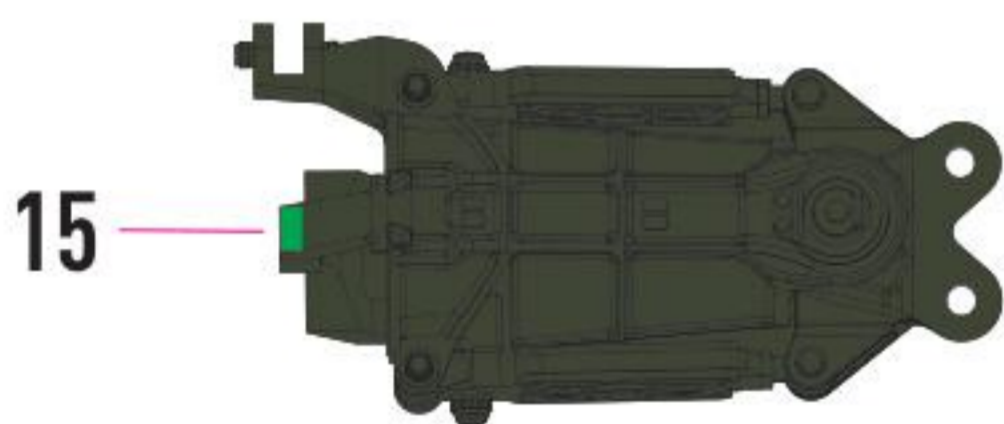
REAR VIEW



TOP VIEW



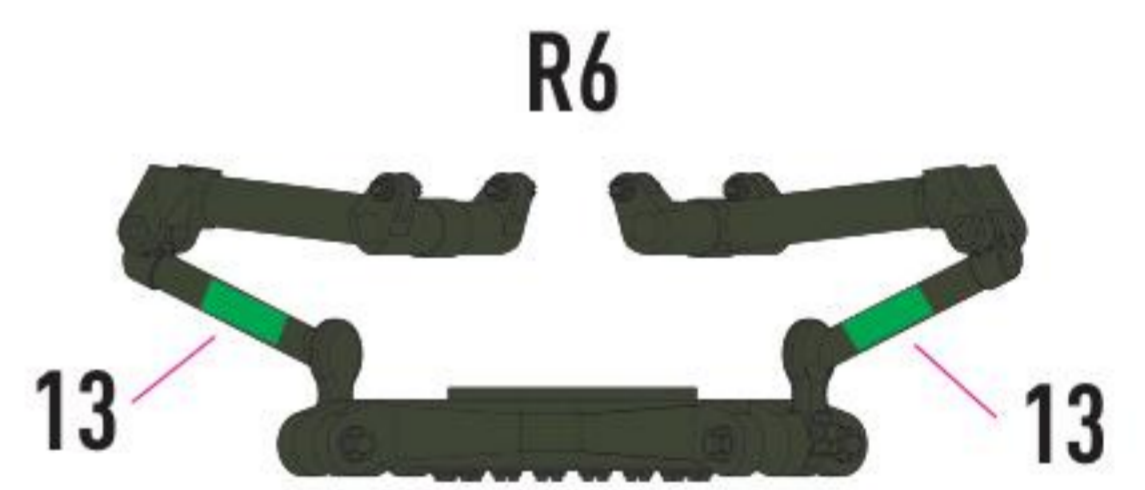
LEFT VIEW



TOP VIEW

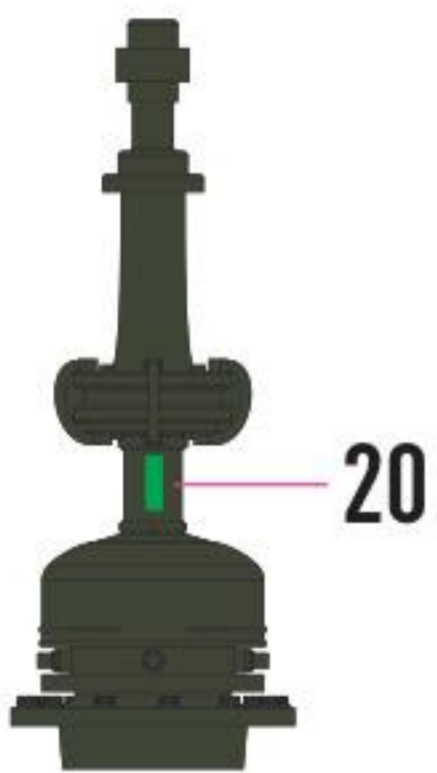


FRONT VIEW



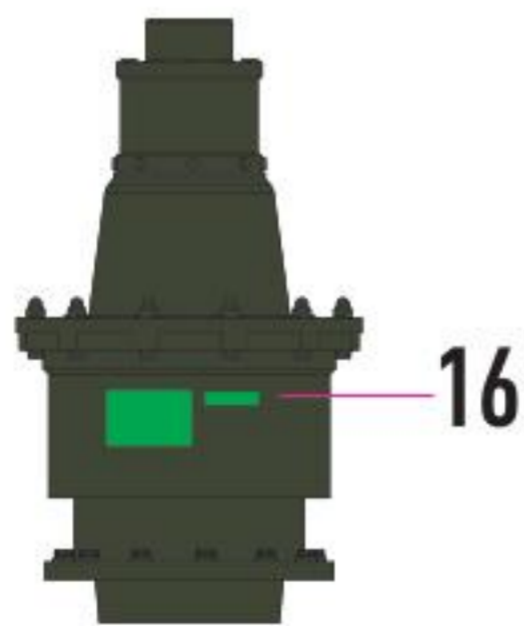
REAR VIEW

ADSS



FRONT VIEW

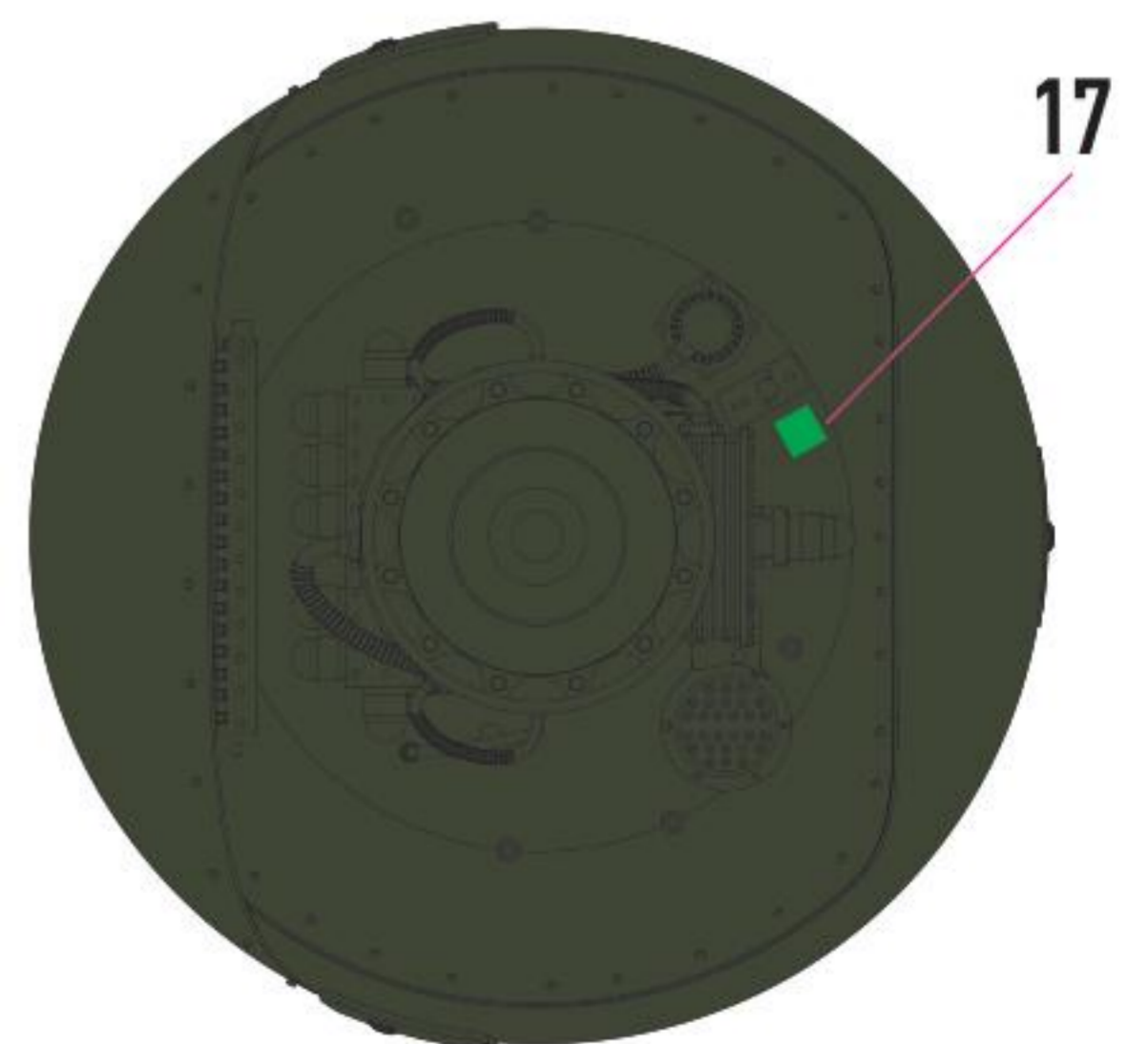
MUMT



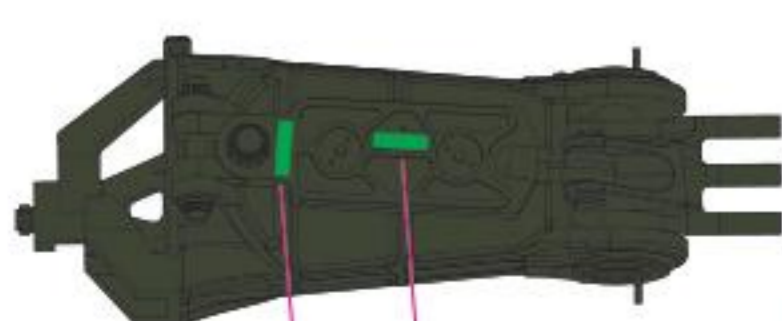
FRONT VIEW



FRONT VIEW

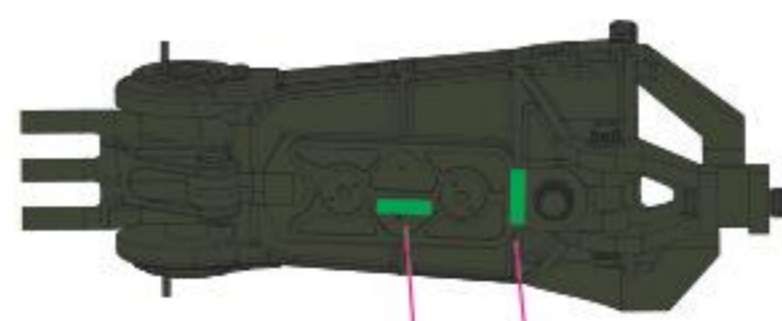


BOTTOM VIEW



FRONT VIEW

R8 x4



REAR VIEW

COLORS	GUNZE / AQUEOUS	GUNZE / MR.COLOR
OLIVE DRAB	H304	C304