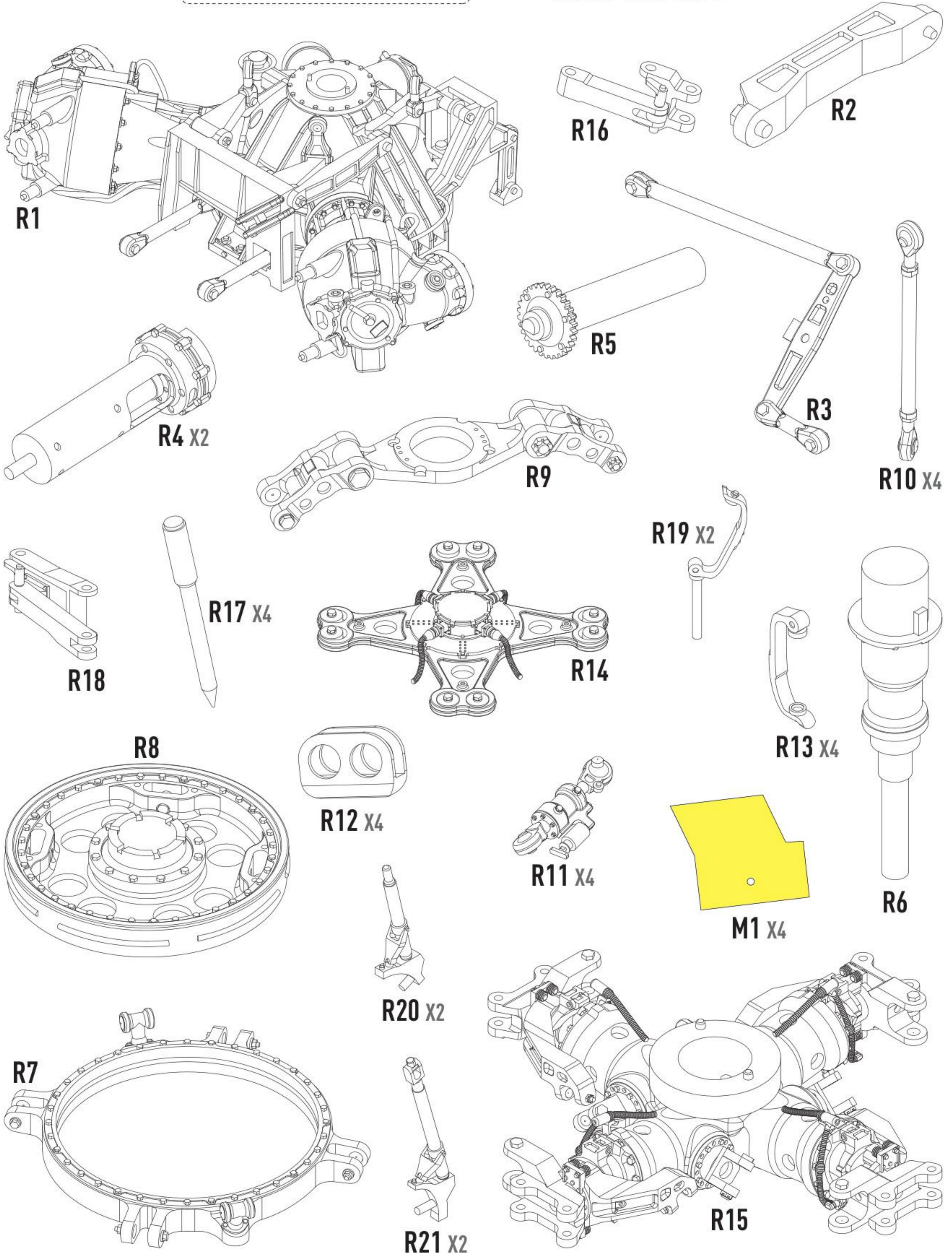


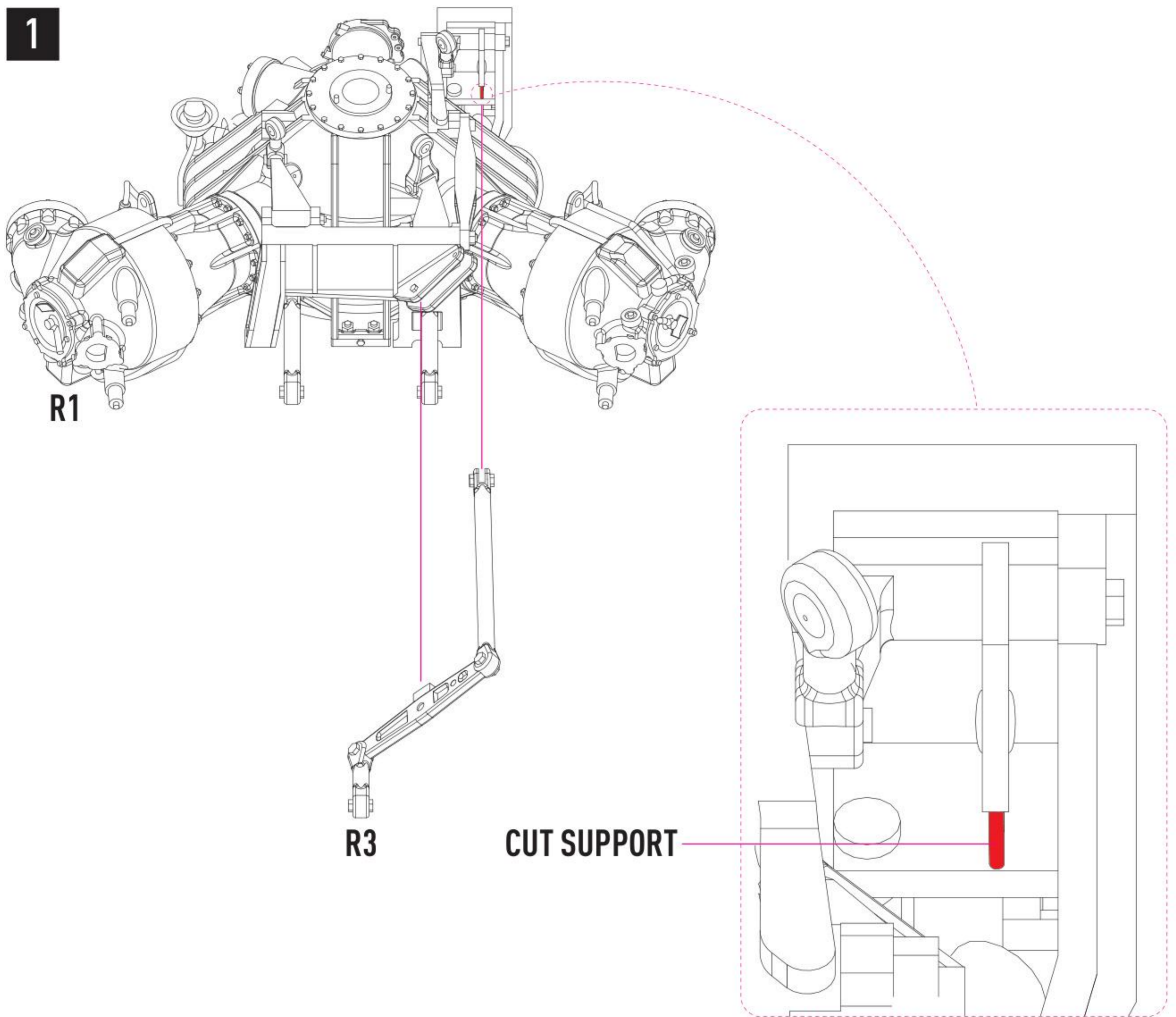


USE A SAW TO REMOVE SUPPORTS  
 FROM 3D PRINTED PARTS

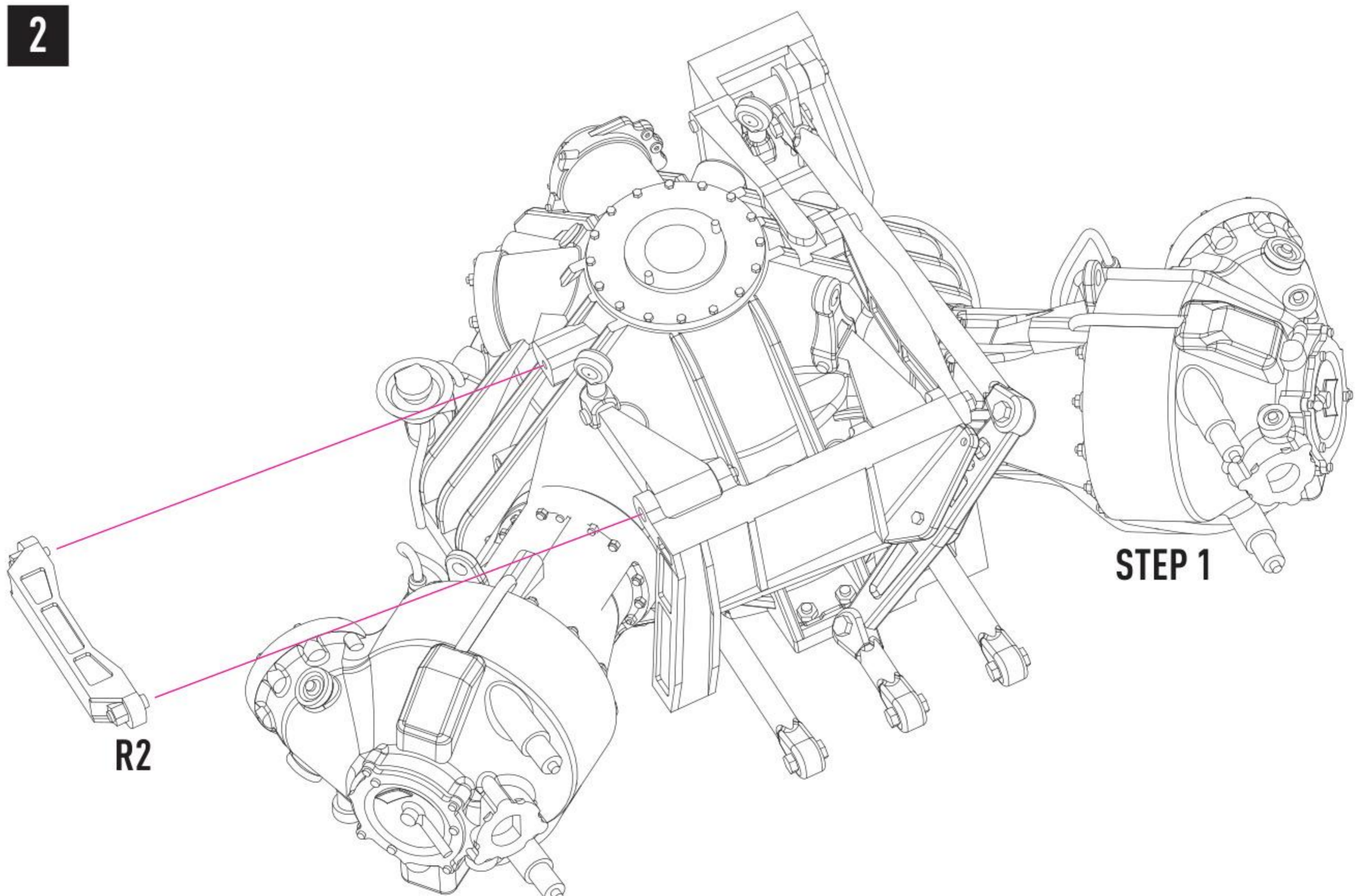
**DETAILS AFTER REMOVAL  
 FROM SUPPORTS**



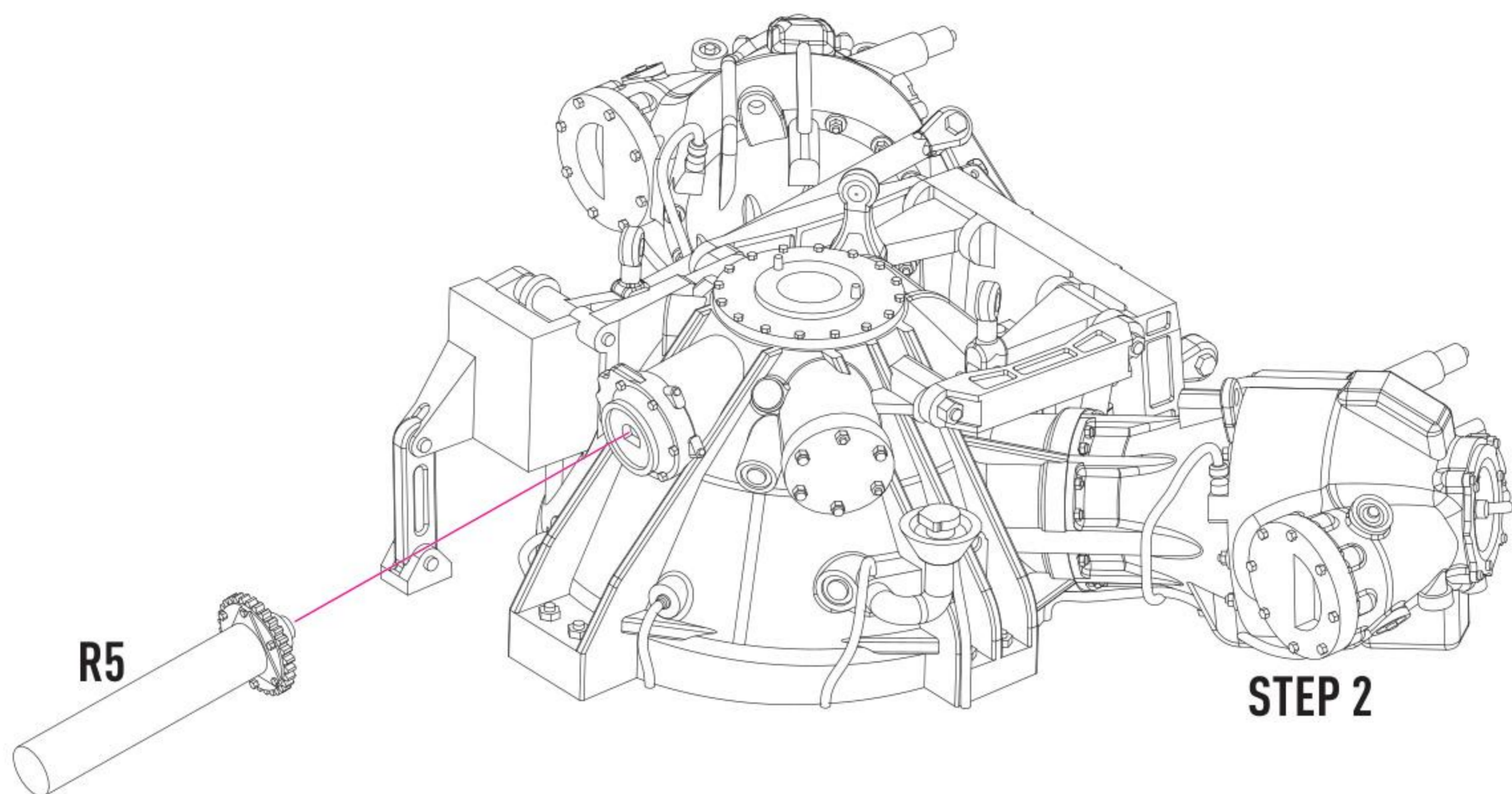
1



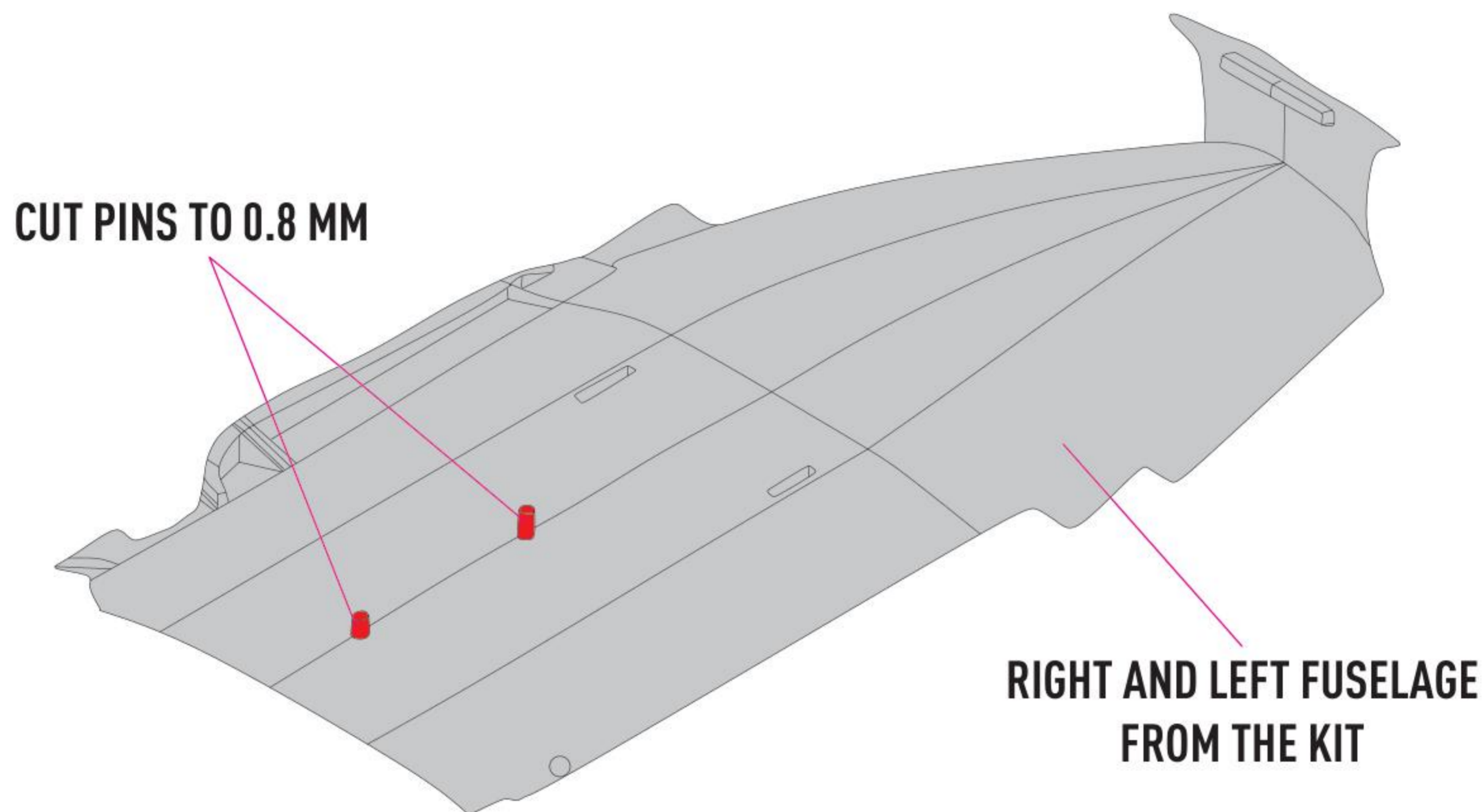
2



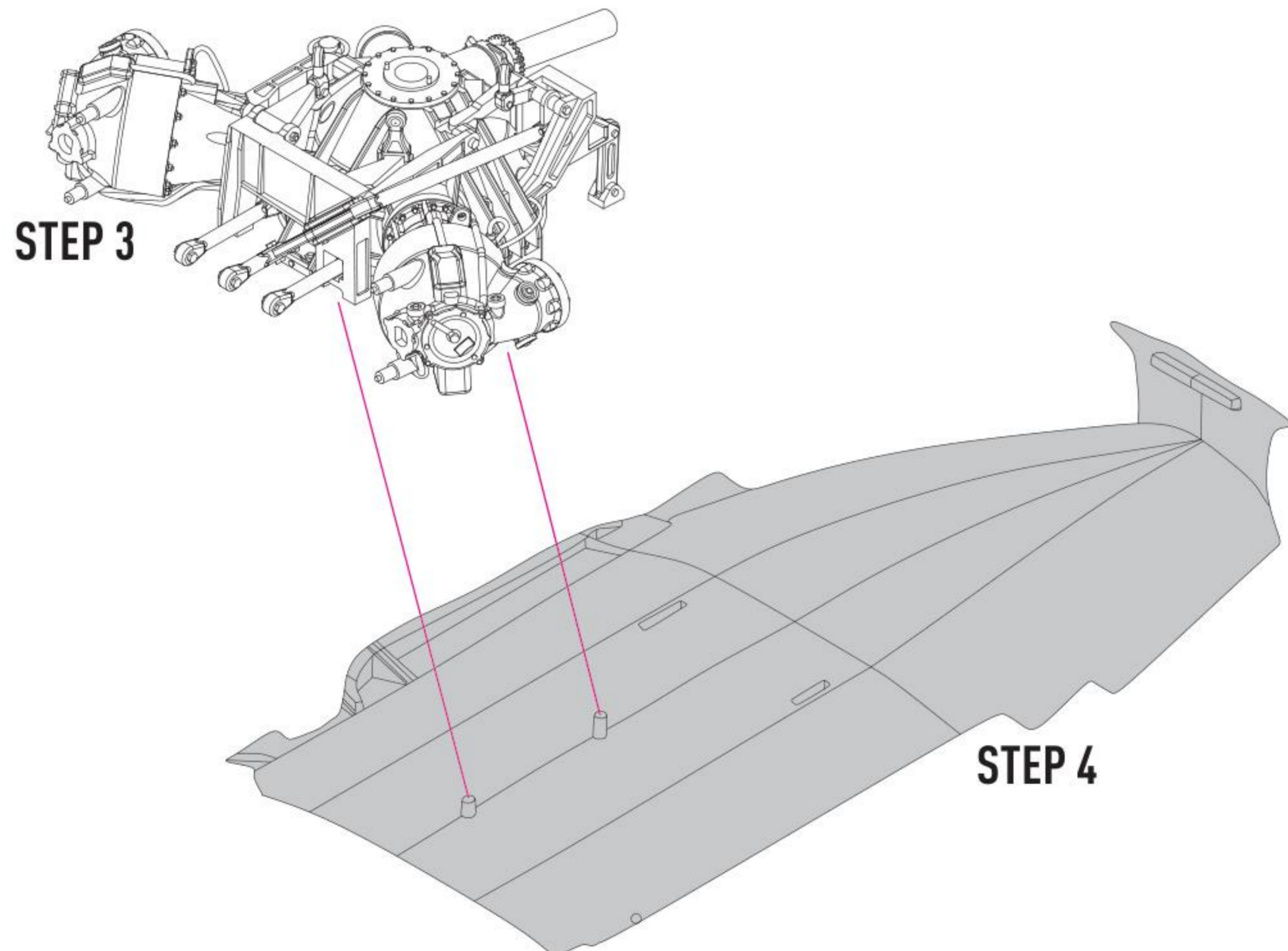
3



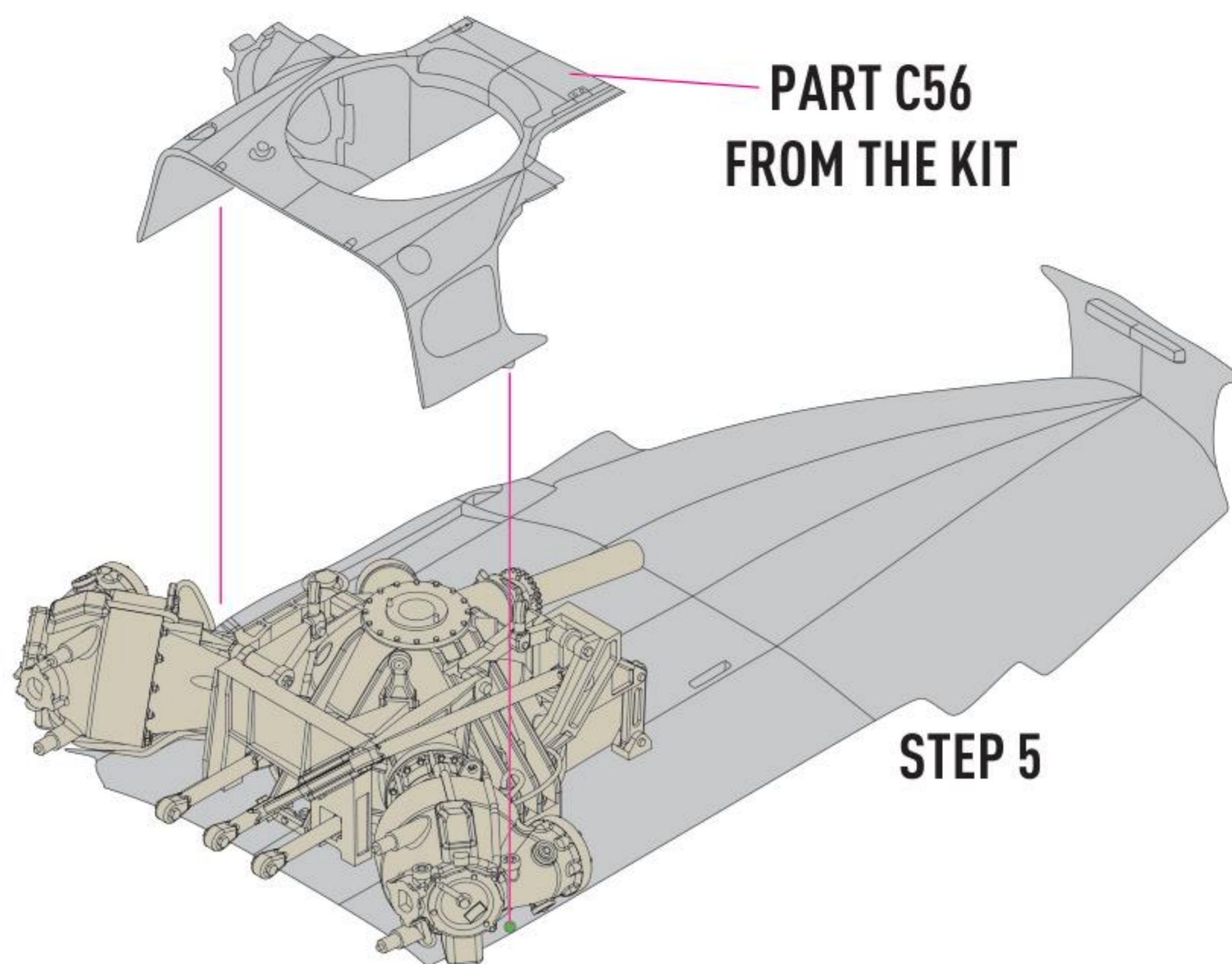
4



5

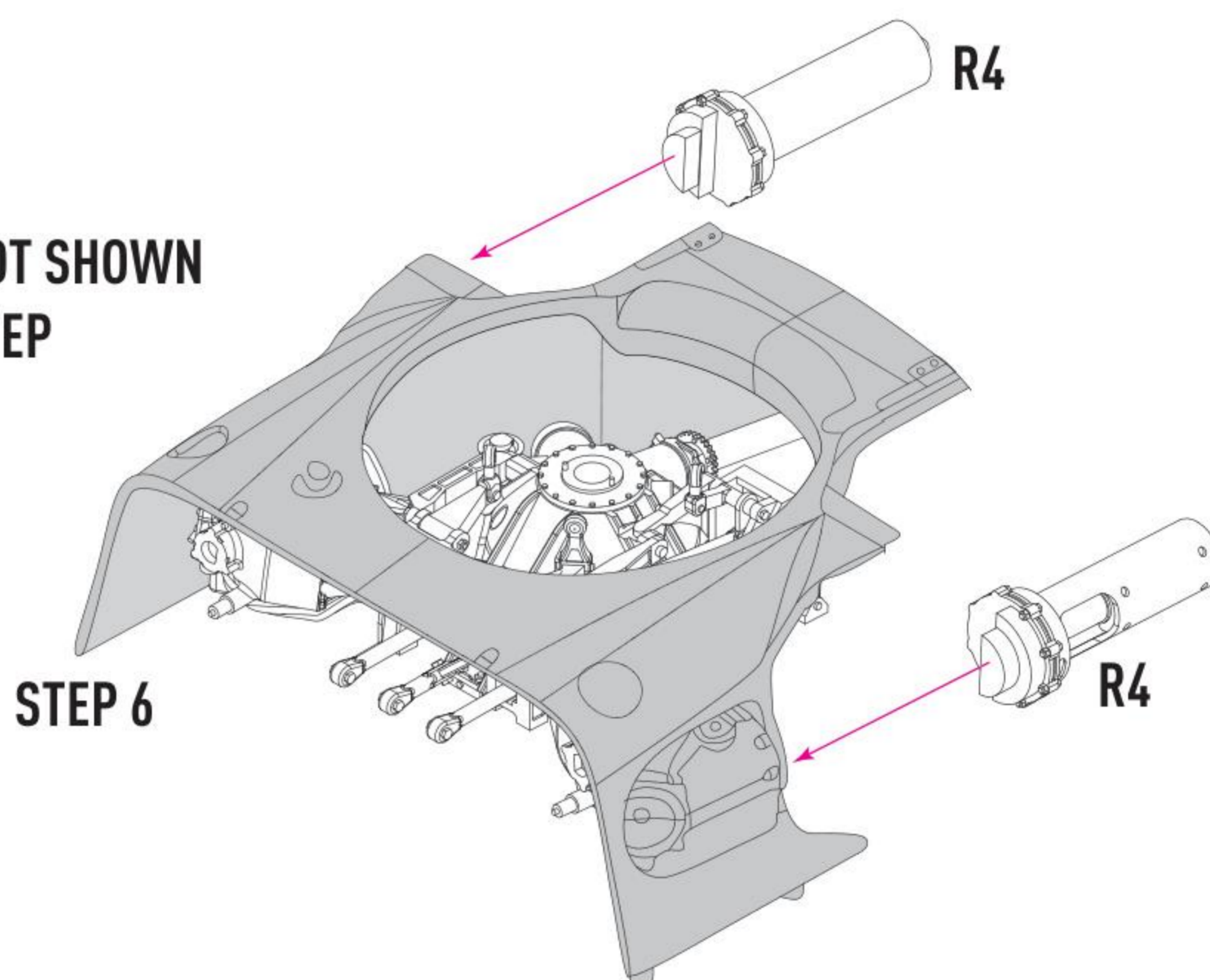


6

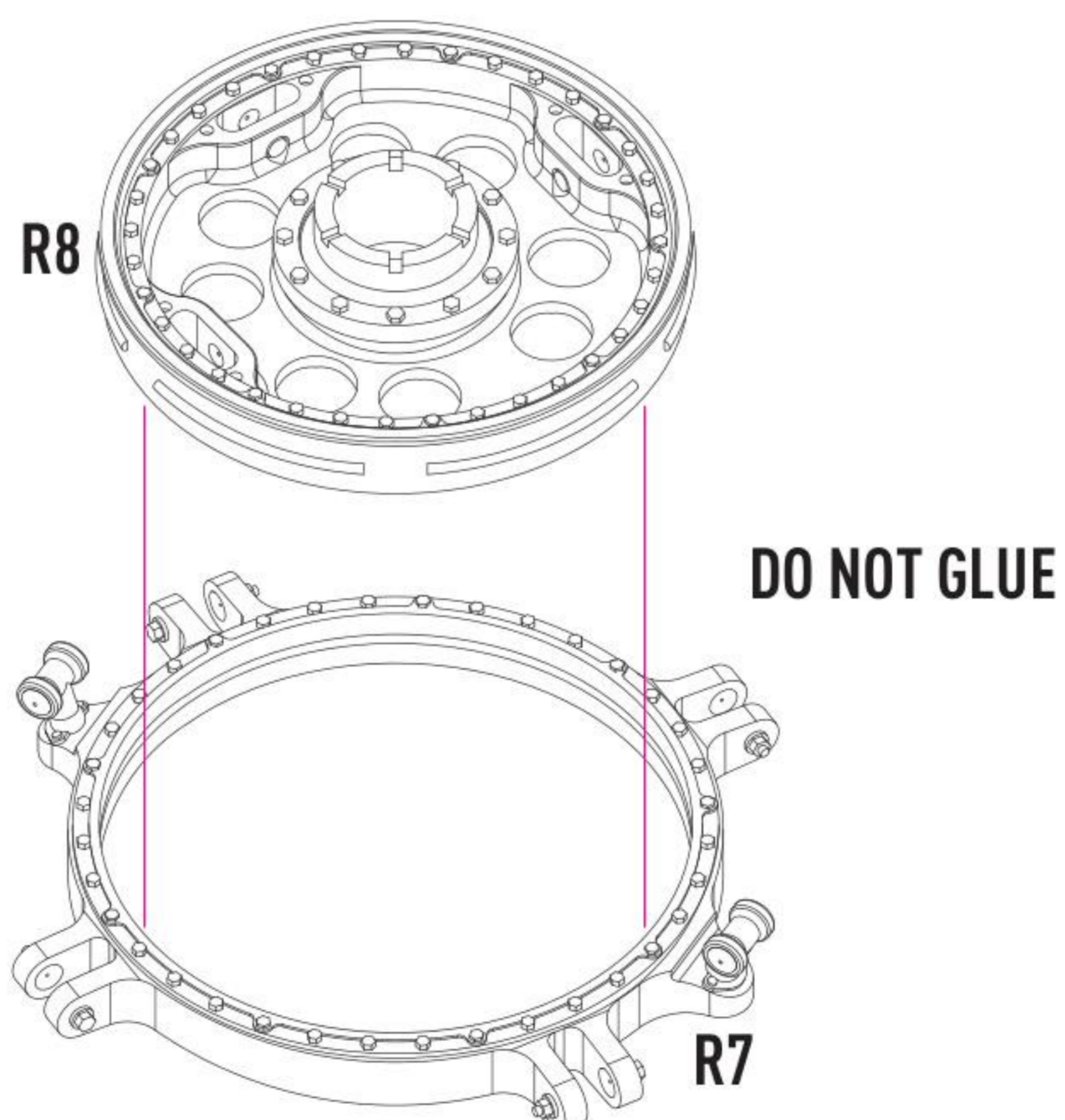


7

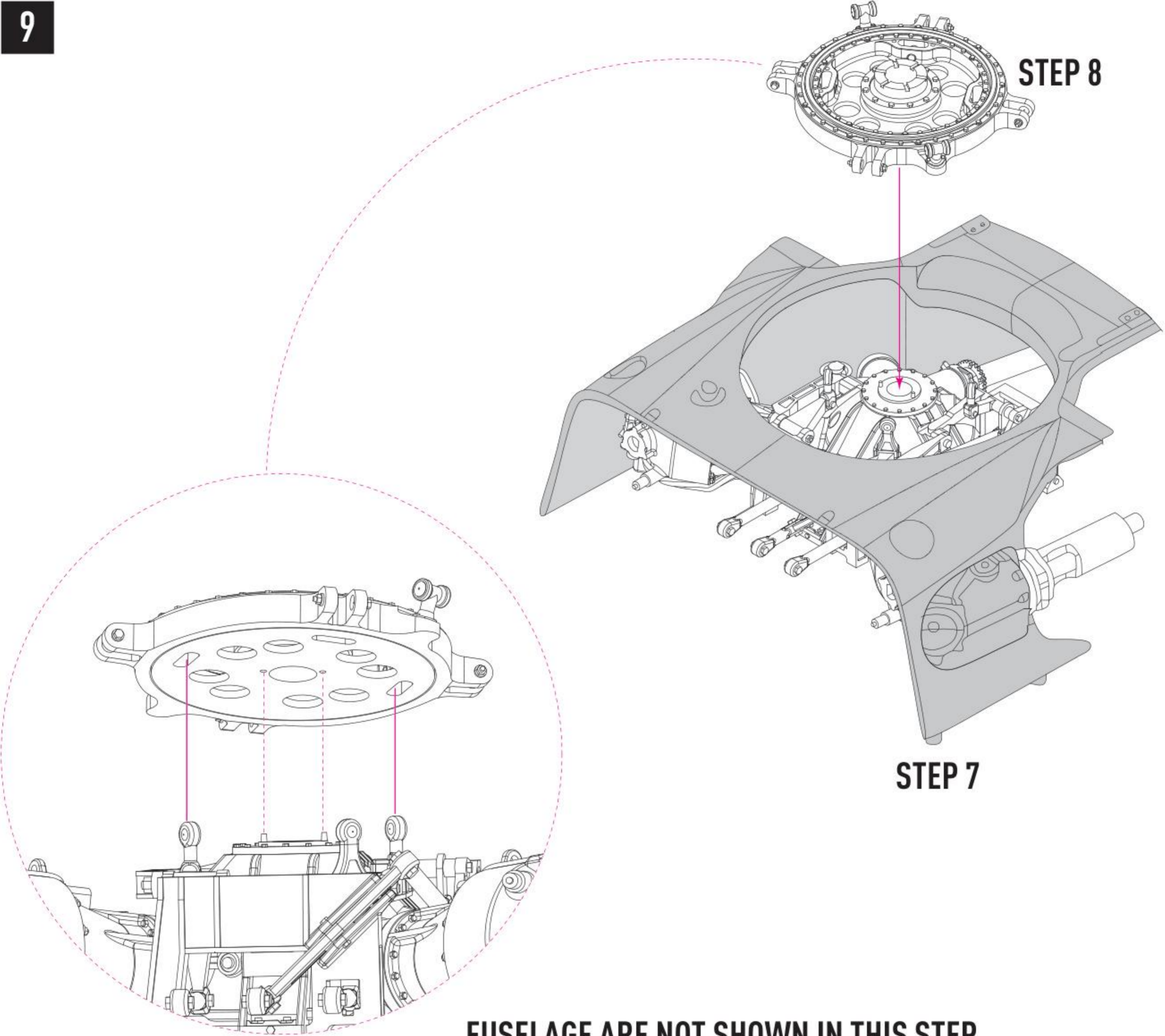
**FUSELAGE ARE NOT SHOWN  
IN THIS STEP**



8



9

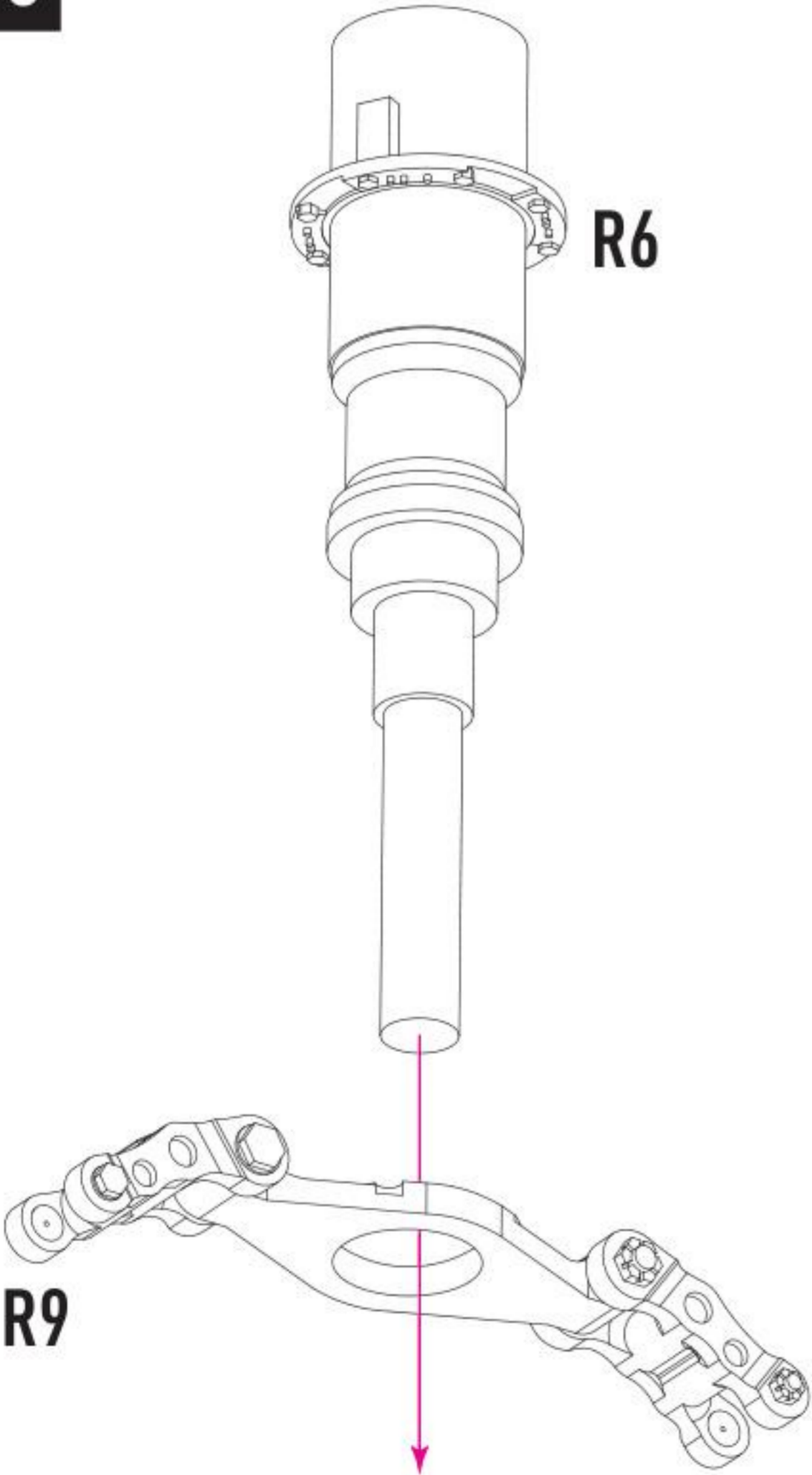


STEP 8

STEP 7

FUSELAGE ARE NOT SHOWN IN THIS STEP

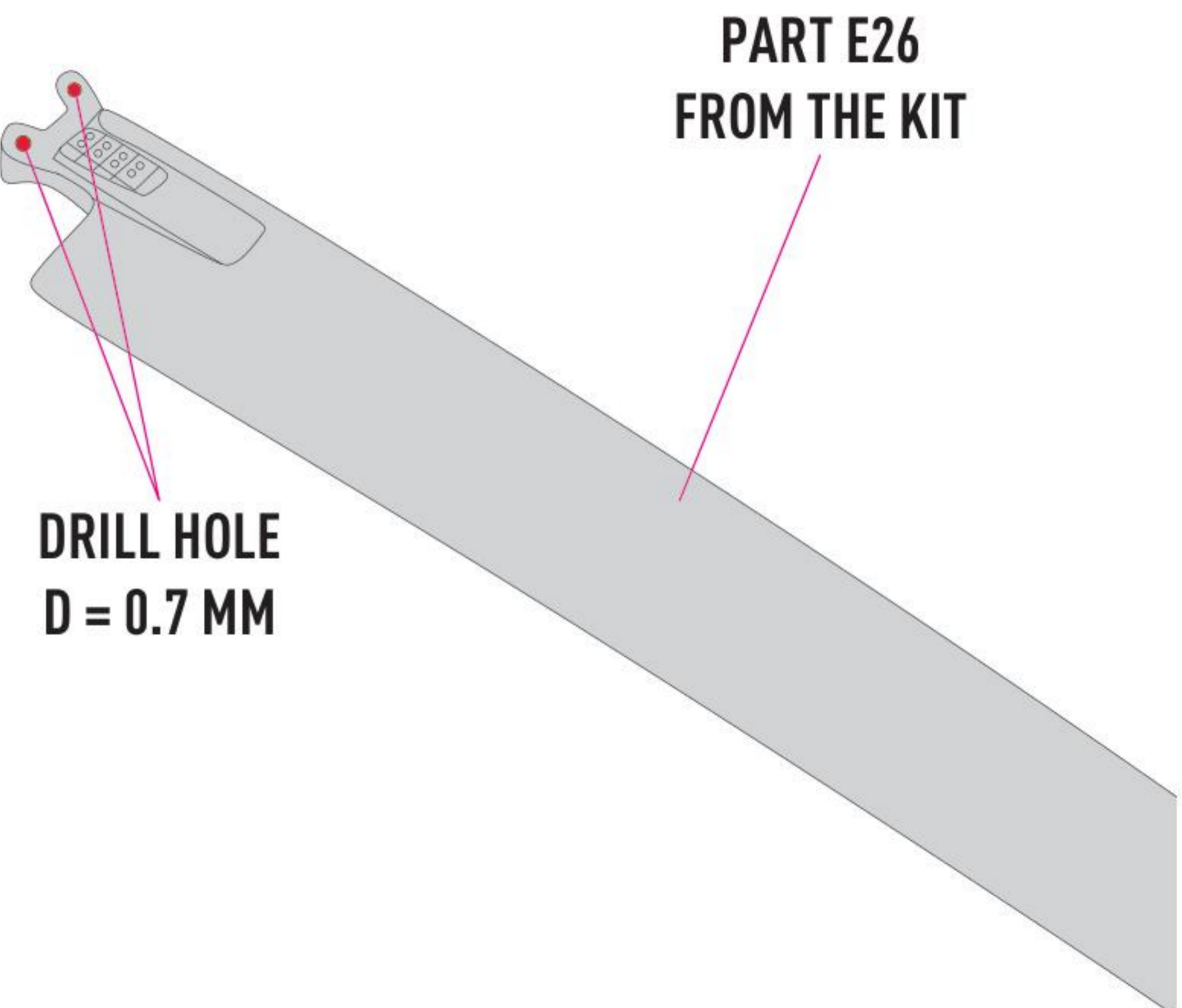
10



R6

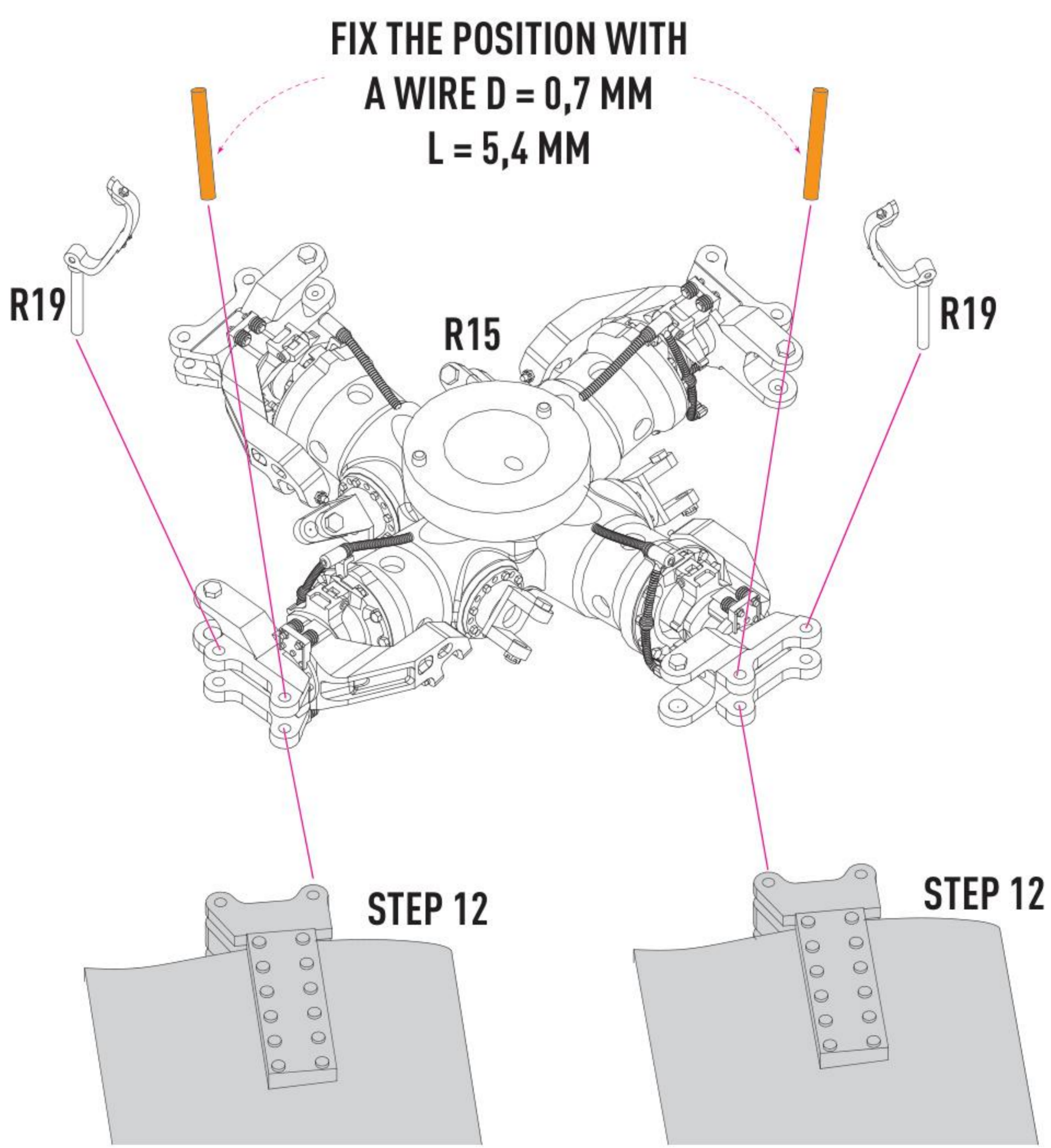
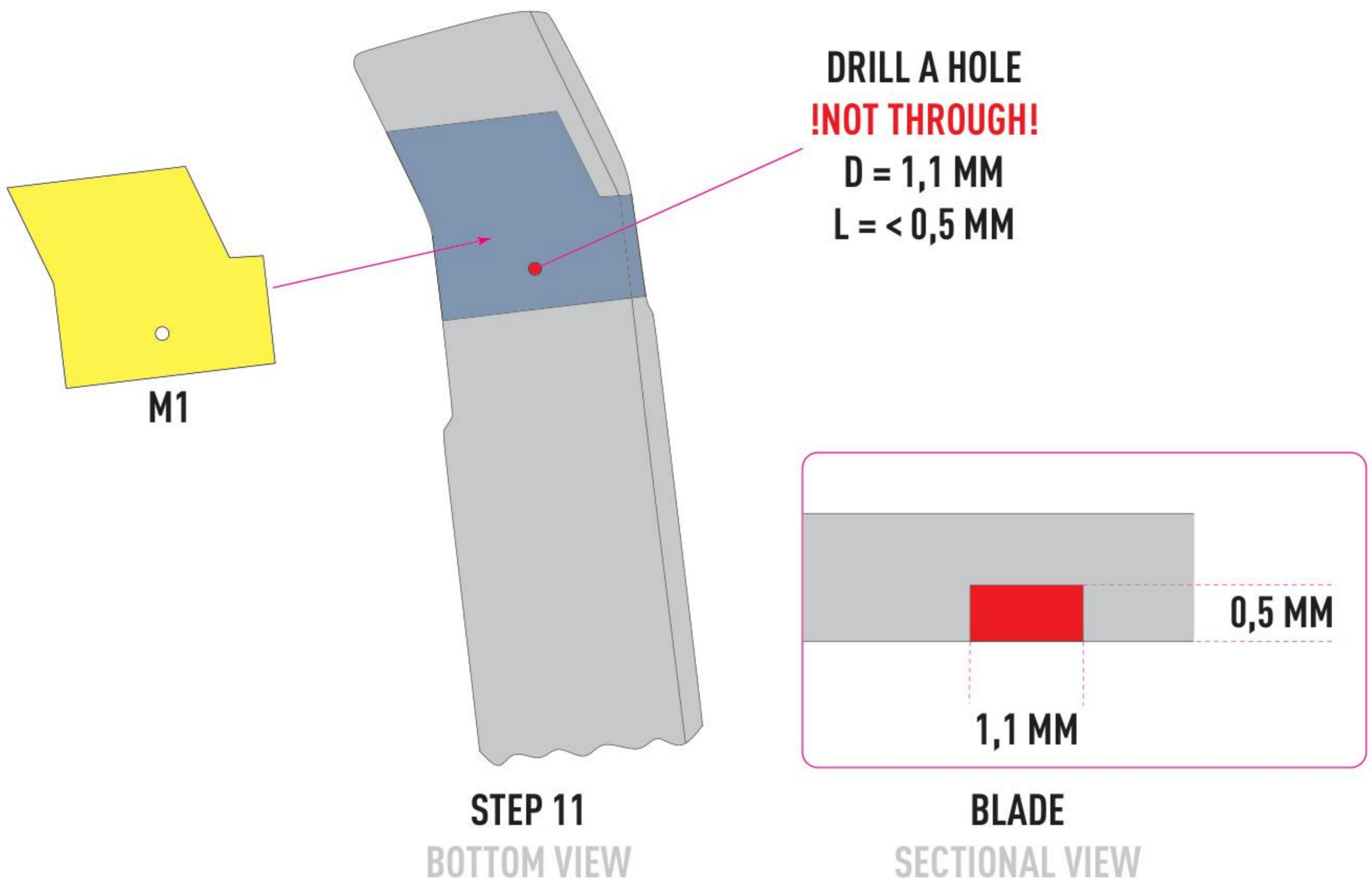
R9

11 X4

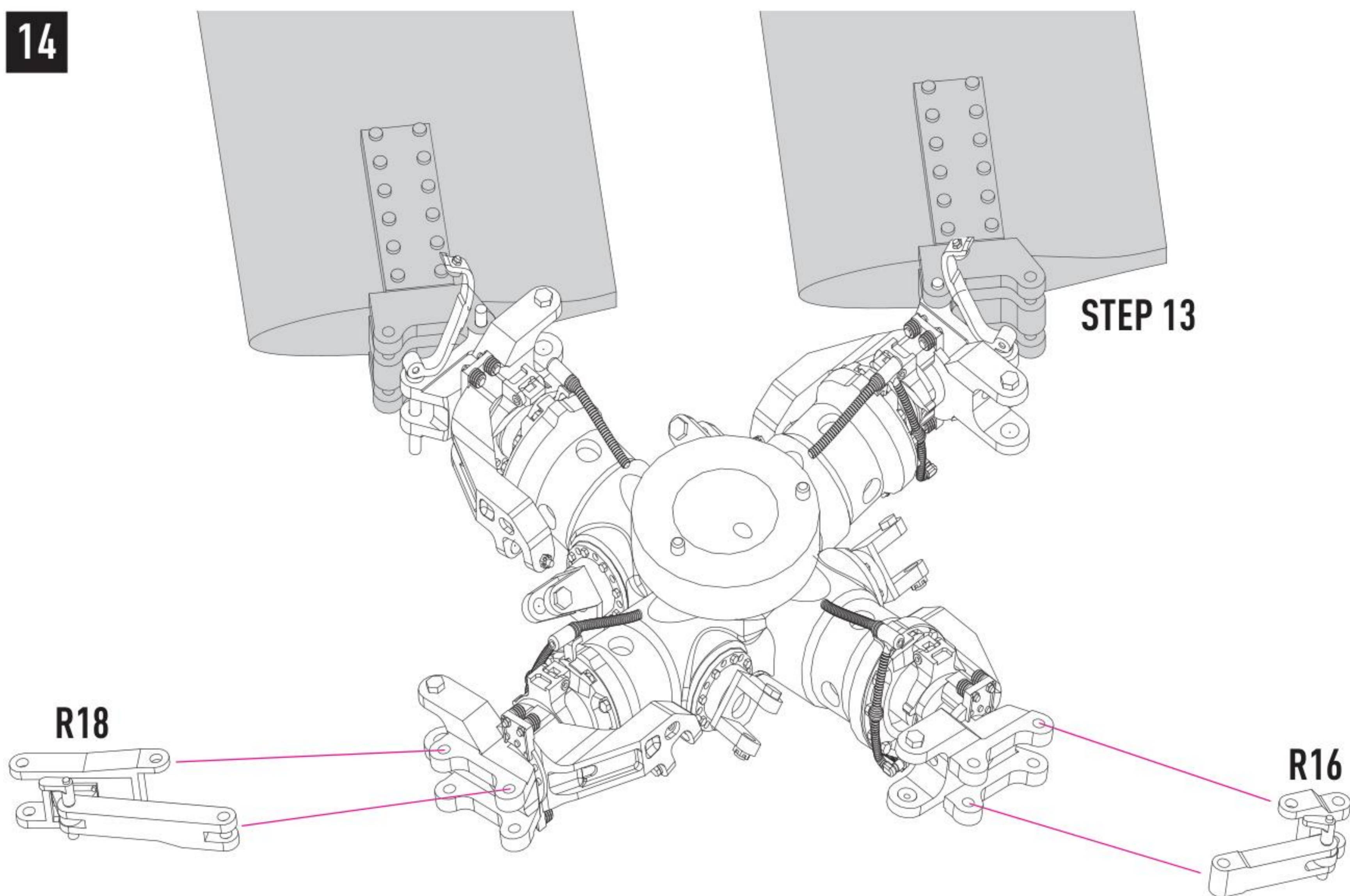


PART E26 FROM THE KIT

DRILL HOLE D = 0.7 MM

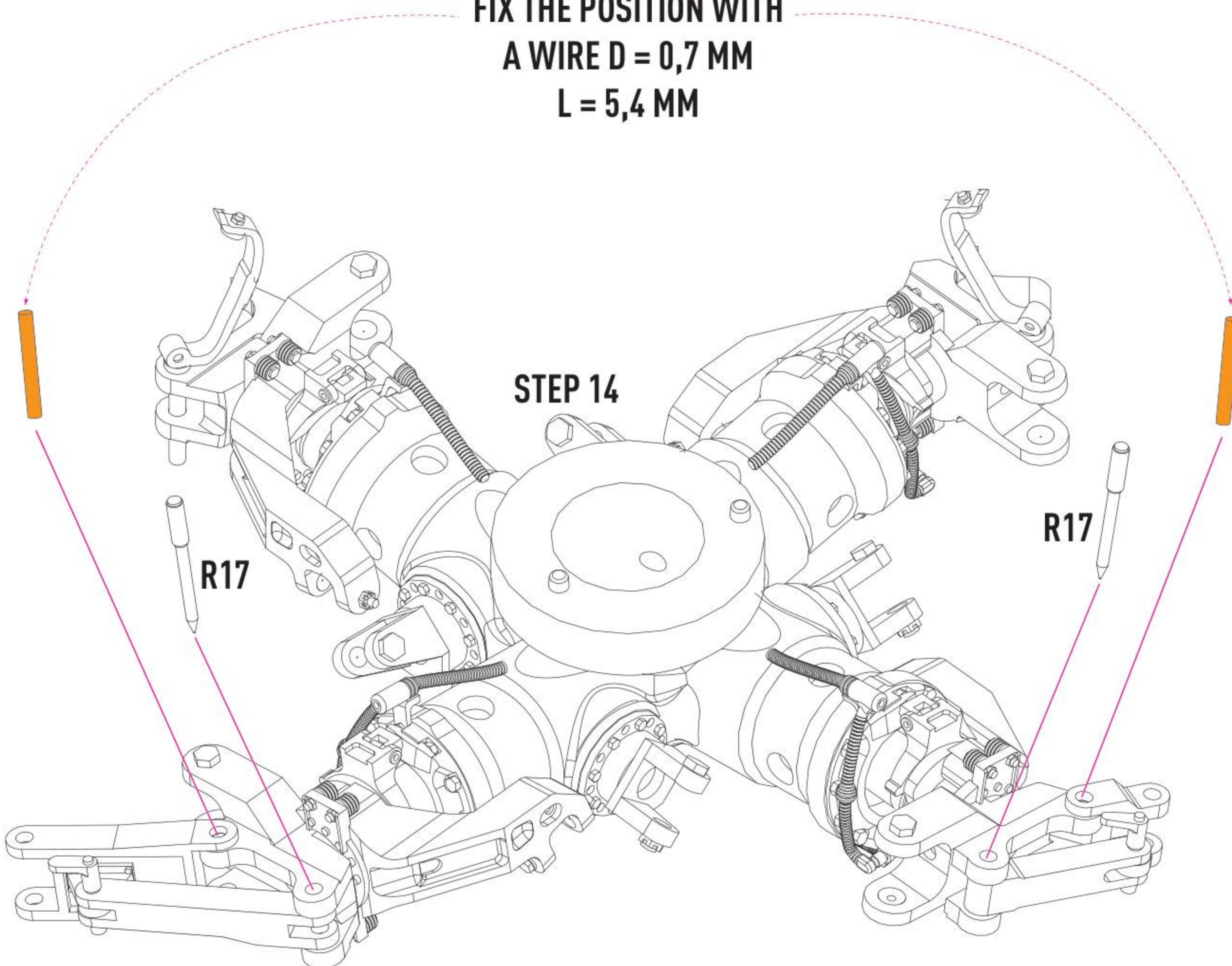


14



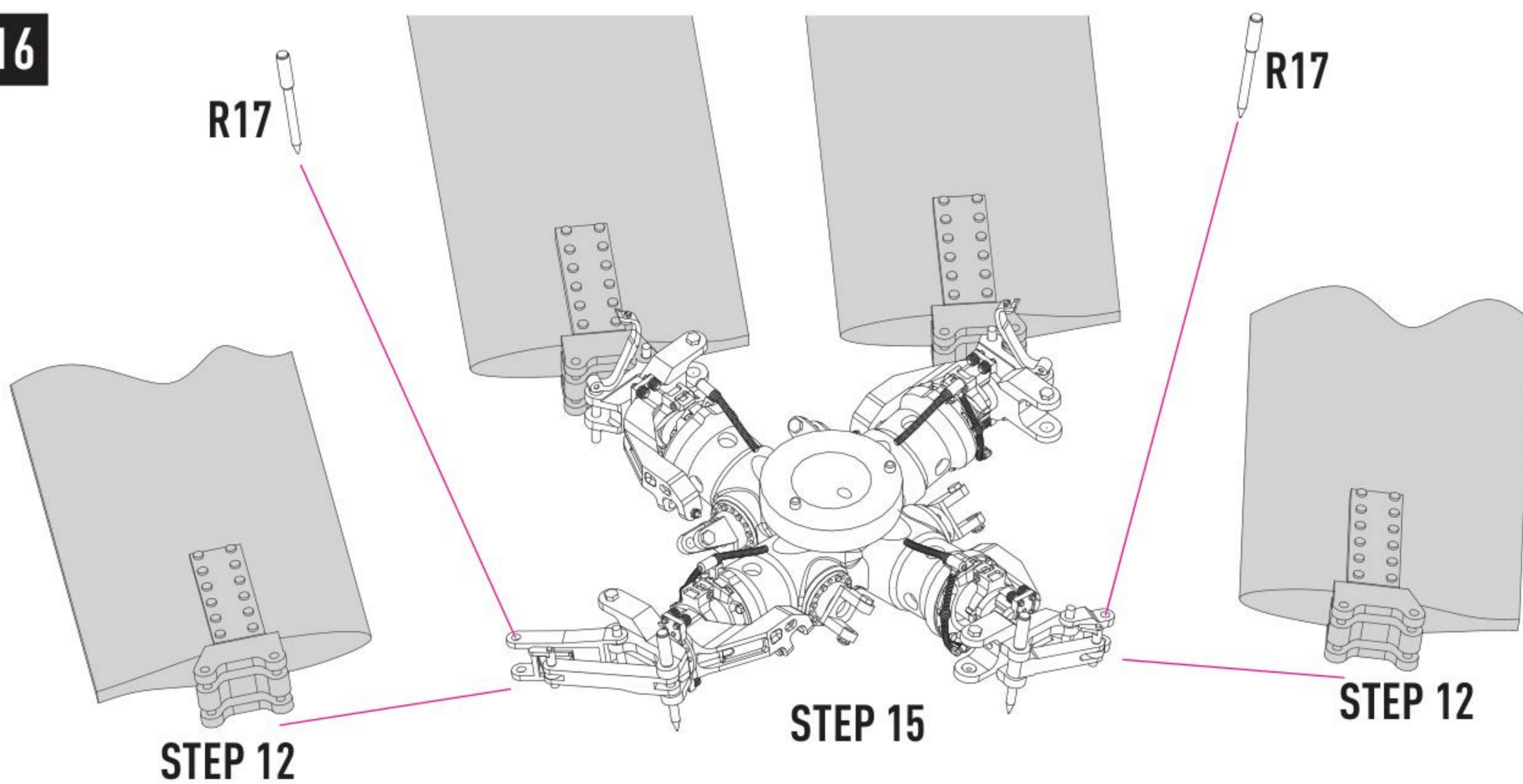
15

**FIX THE POSITION WITH  
A WIRE D = 0,7 MM  
L = 5,4 MM**

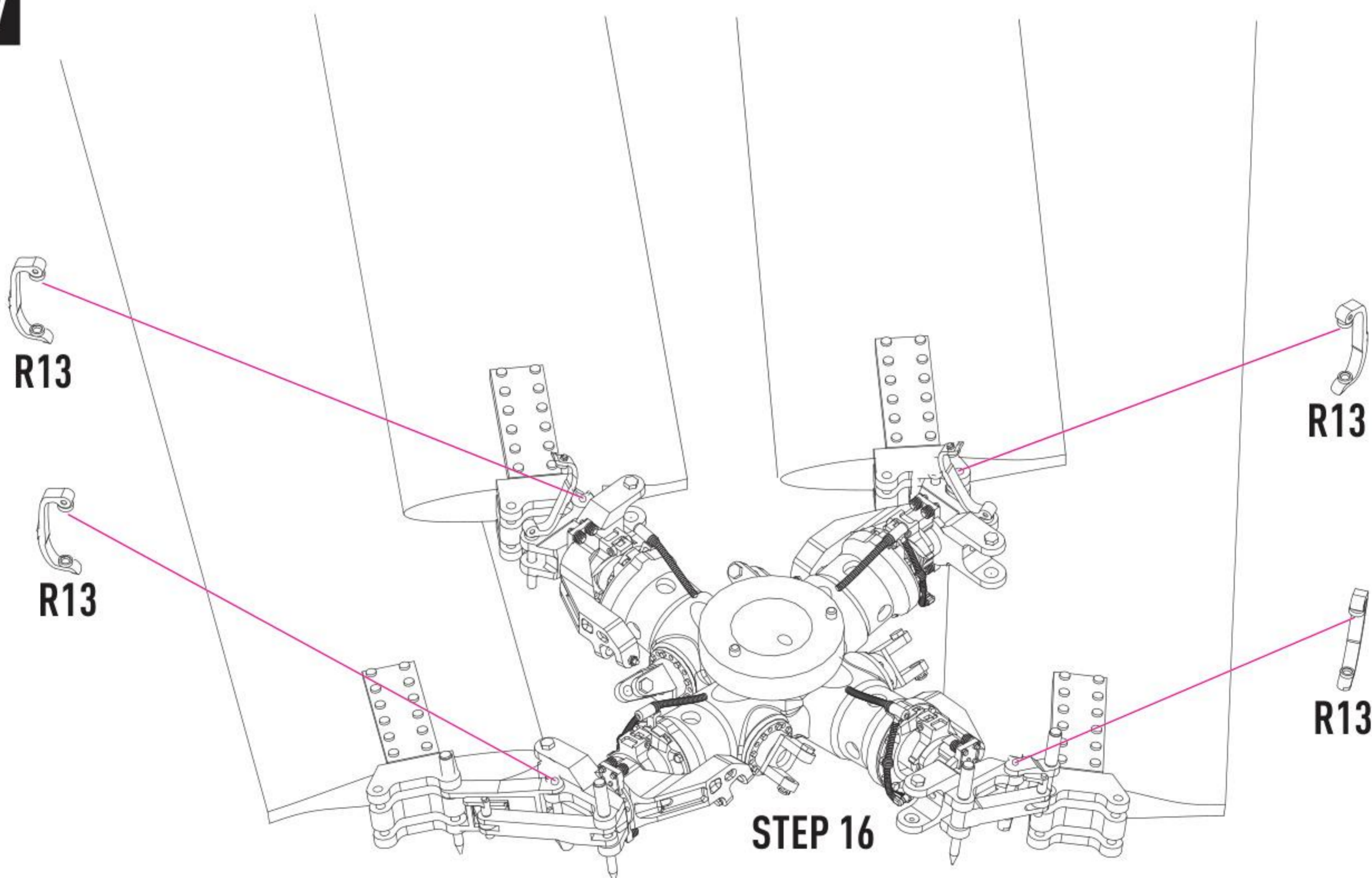


**BLADE ARE NOT SHOWN IN THIS STEP**

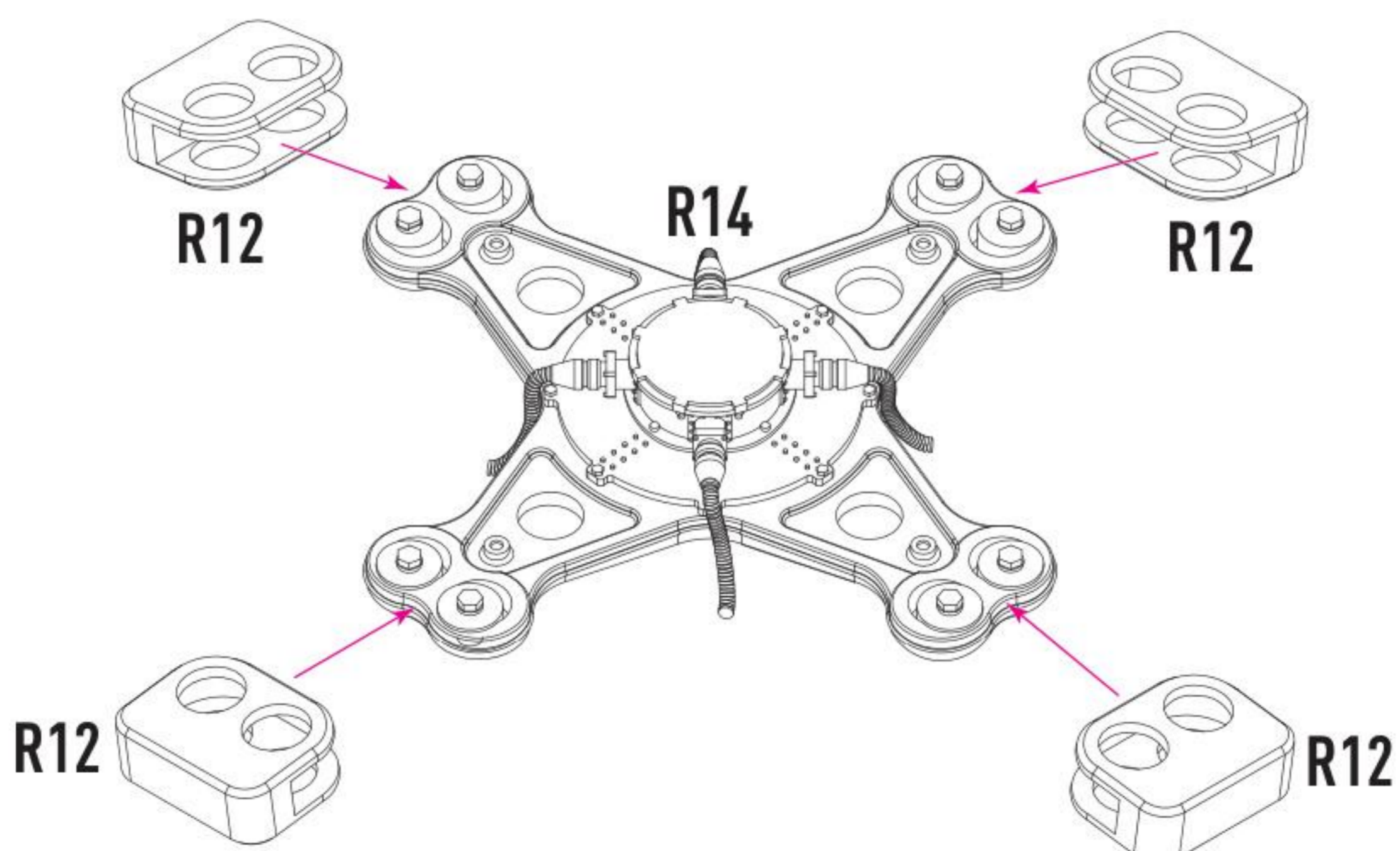
16



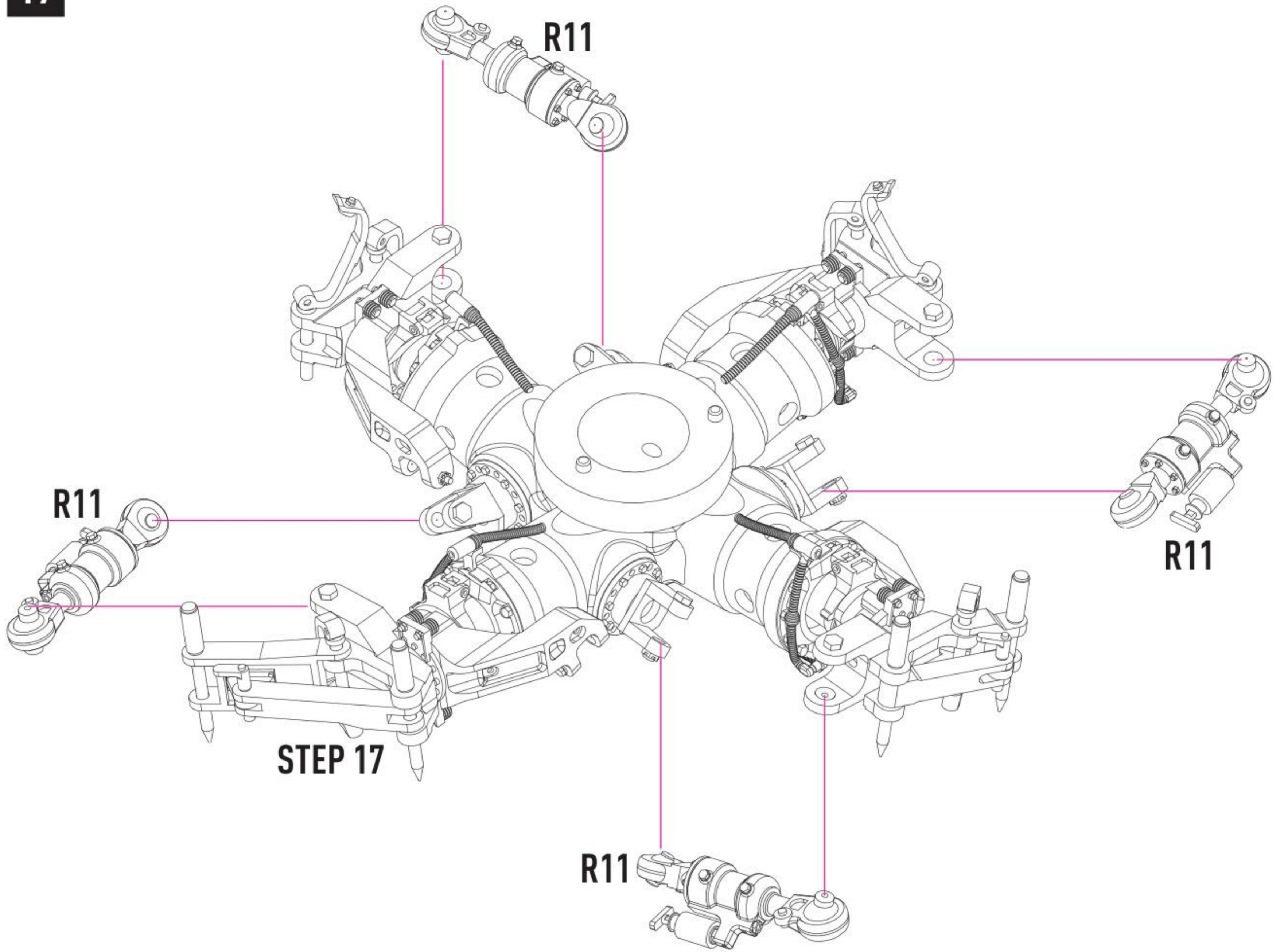
17



18

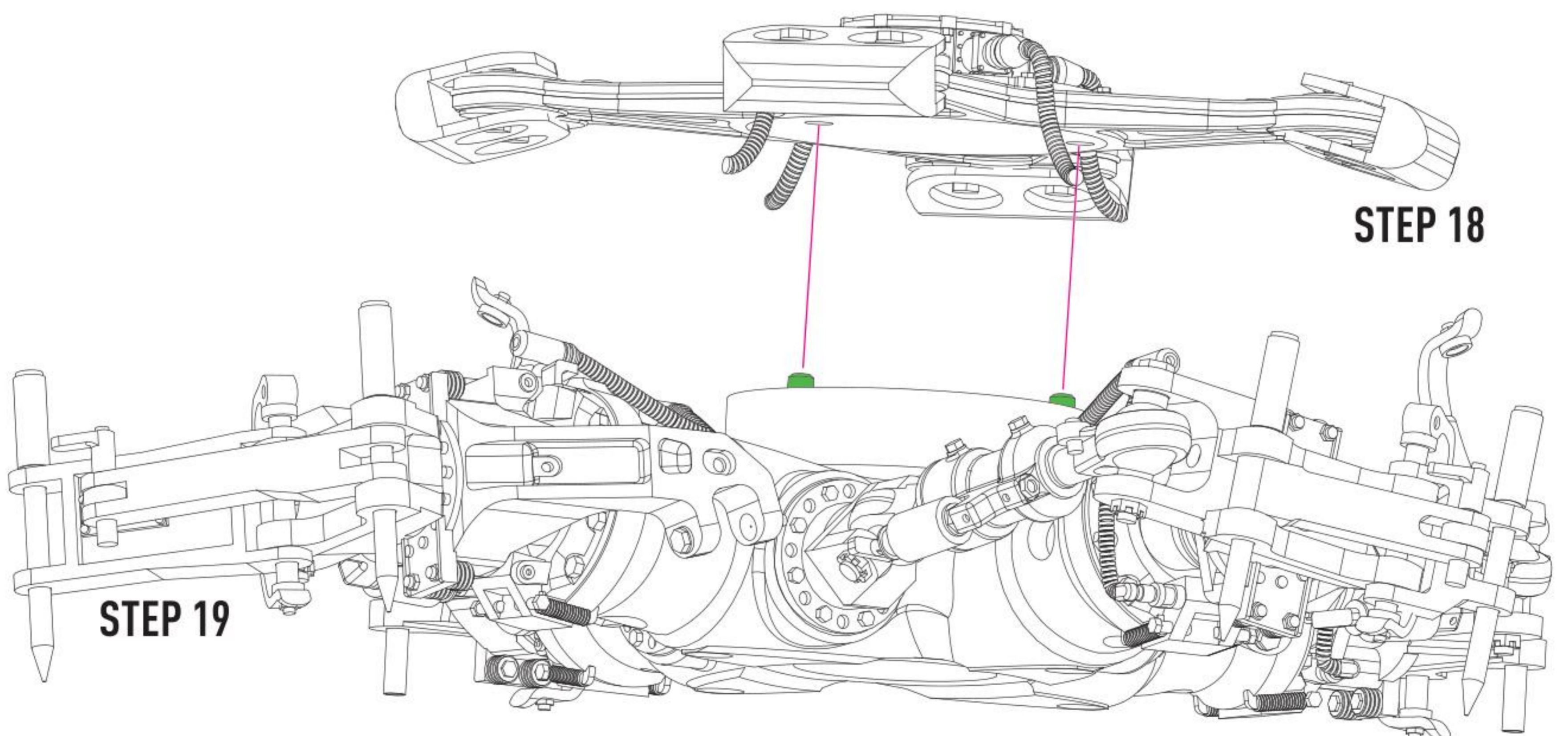


19



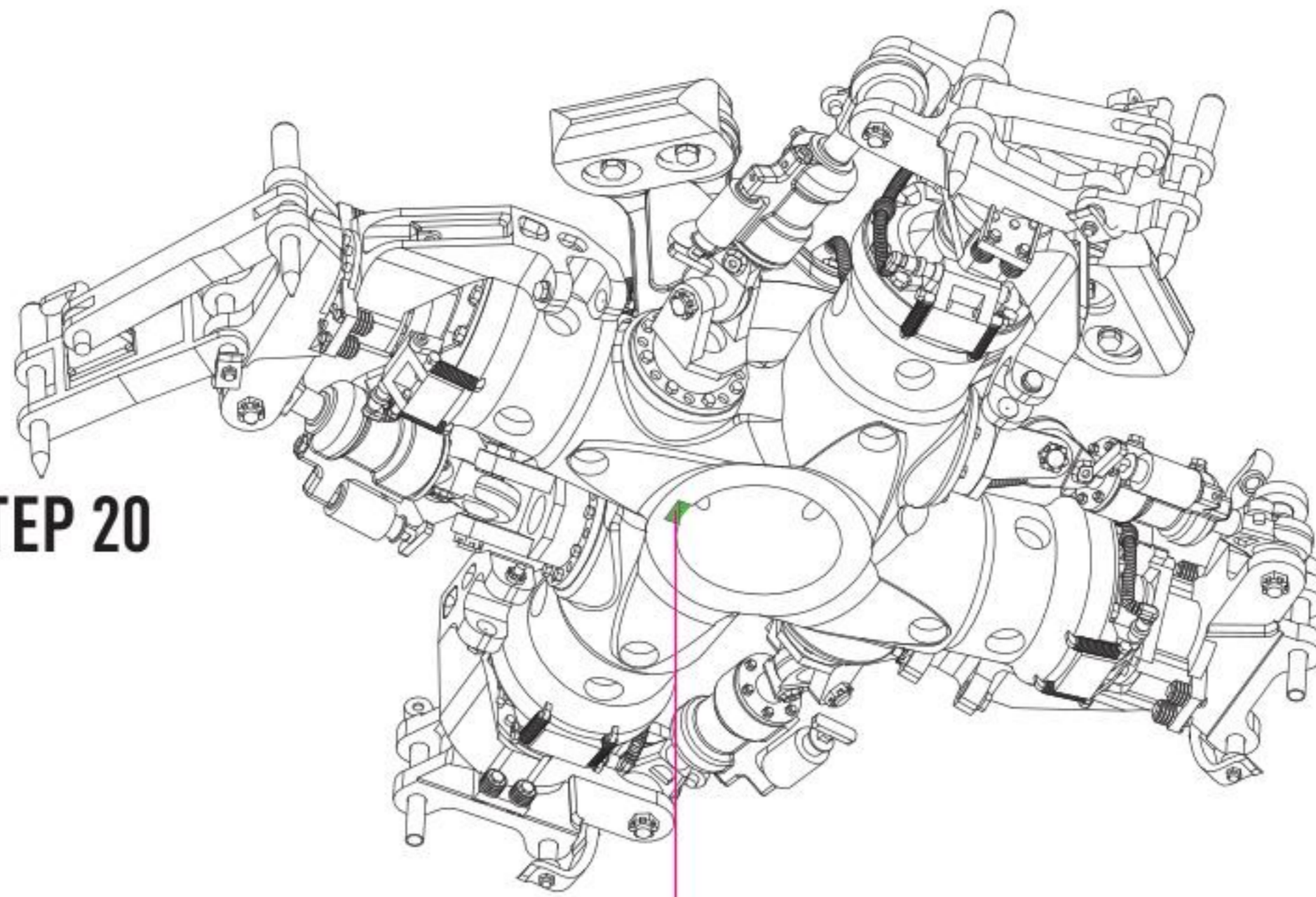
**BLADE ARE NOT SHOWN IN THIS STEP**

20

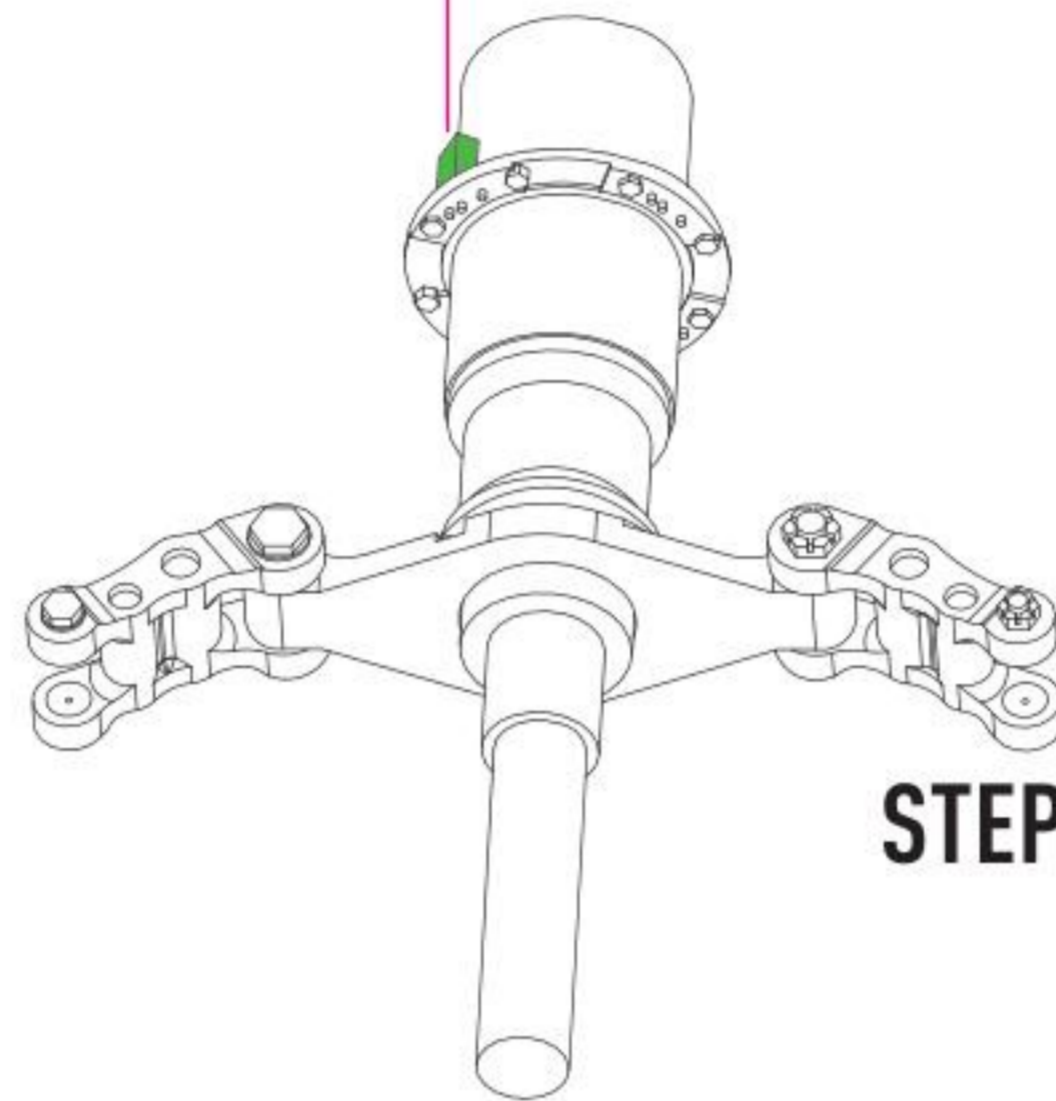


**BLADE ARE NOT SHOWN IN THIS STEP**

STEP 20

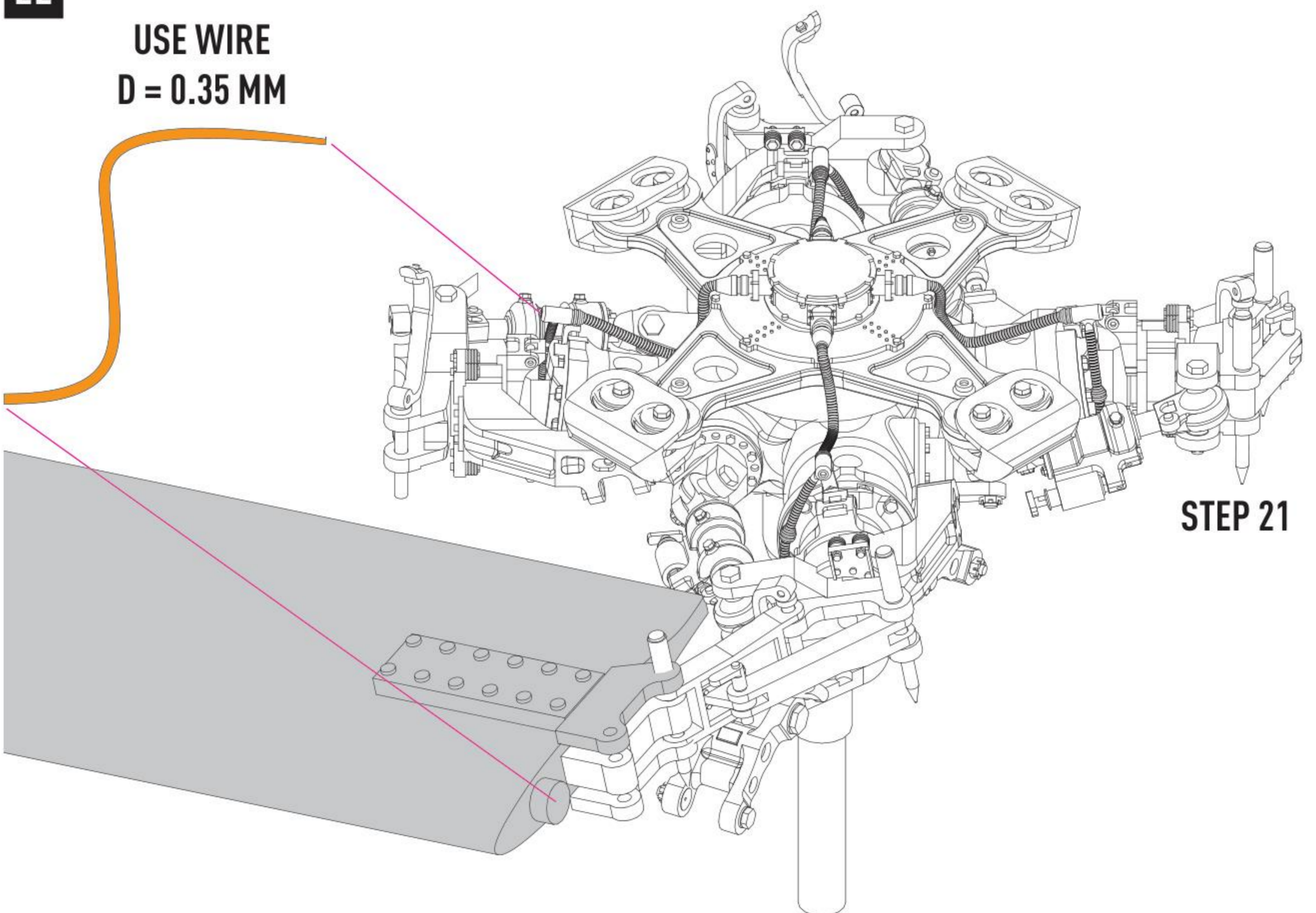


BLADE ARE NOT SHOWN  
IN THIS STEP



STEP 10

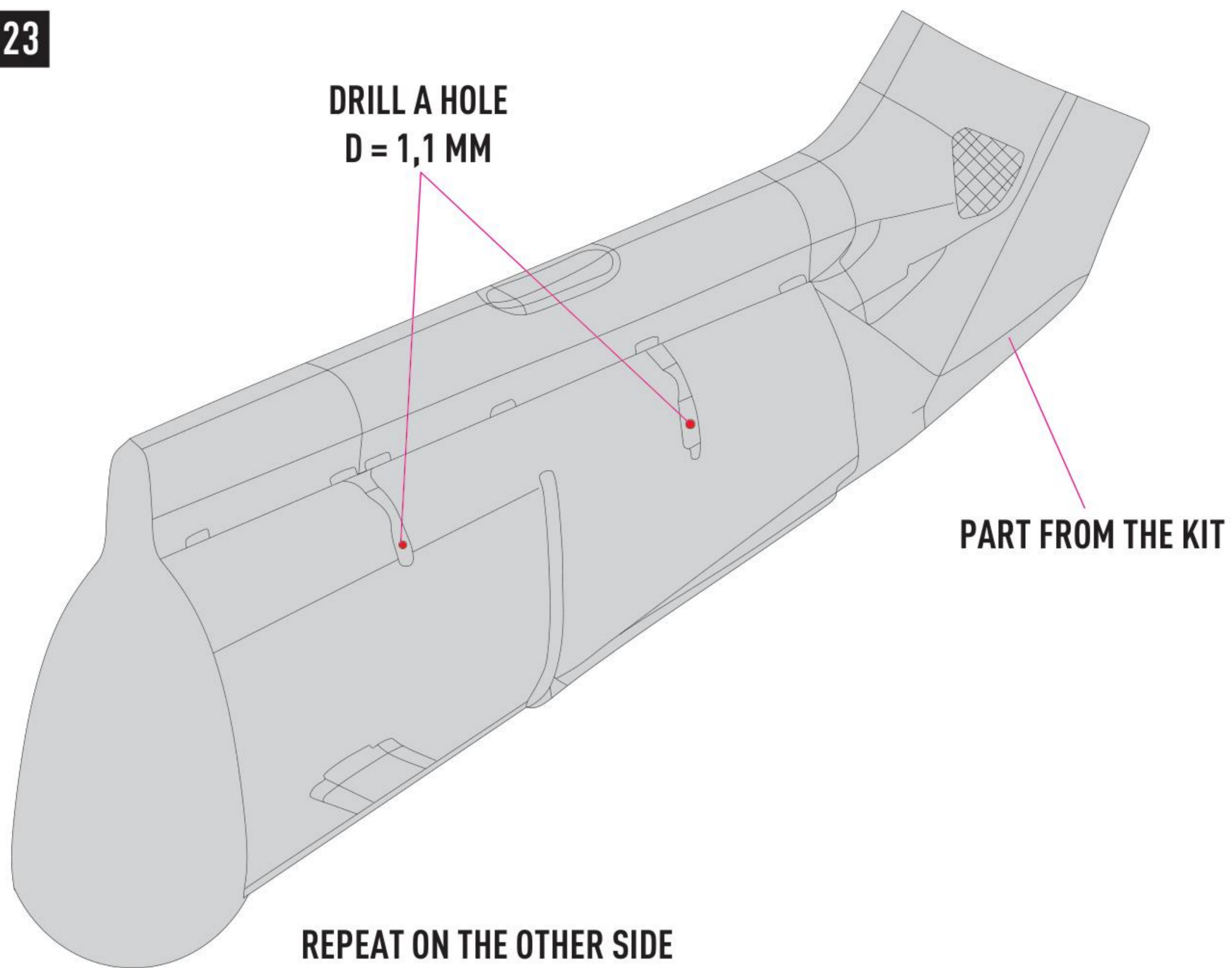
USE WIRE  
D = 0.35 MM



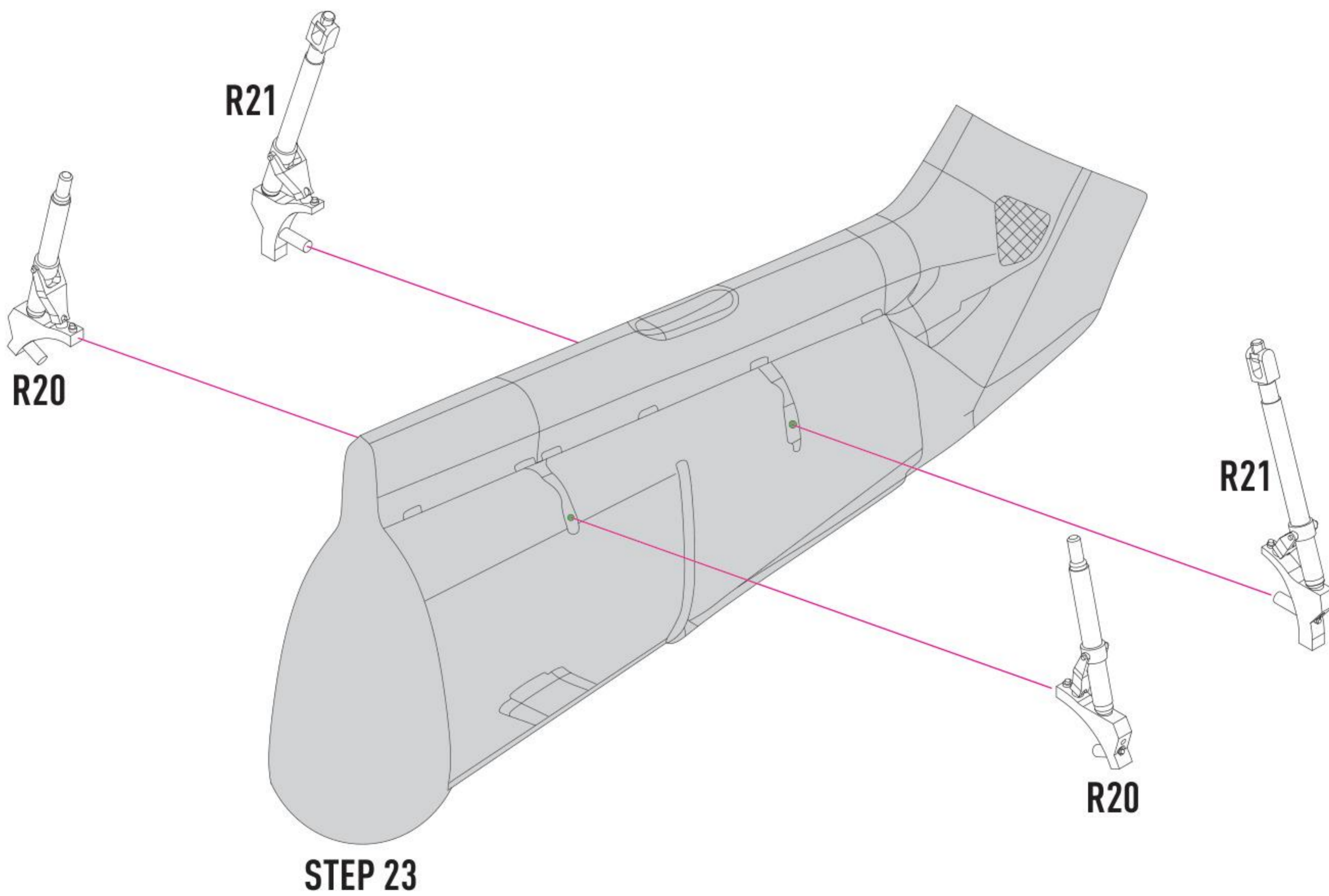
STEP 21

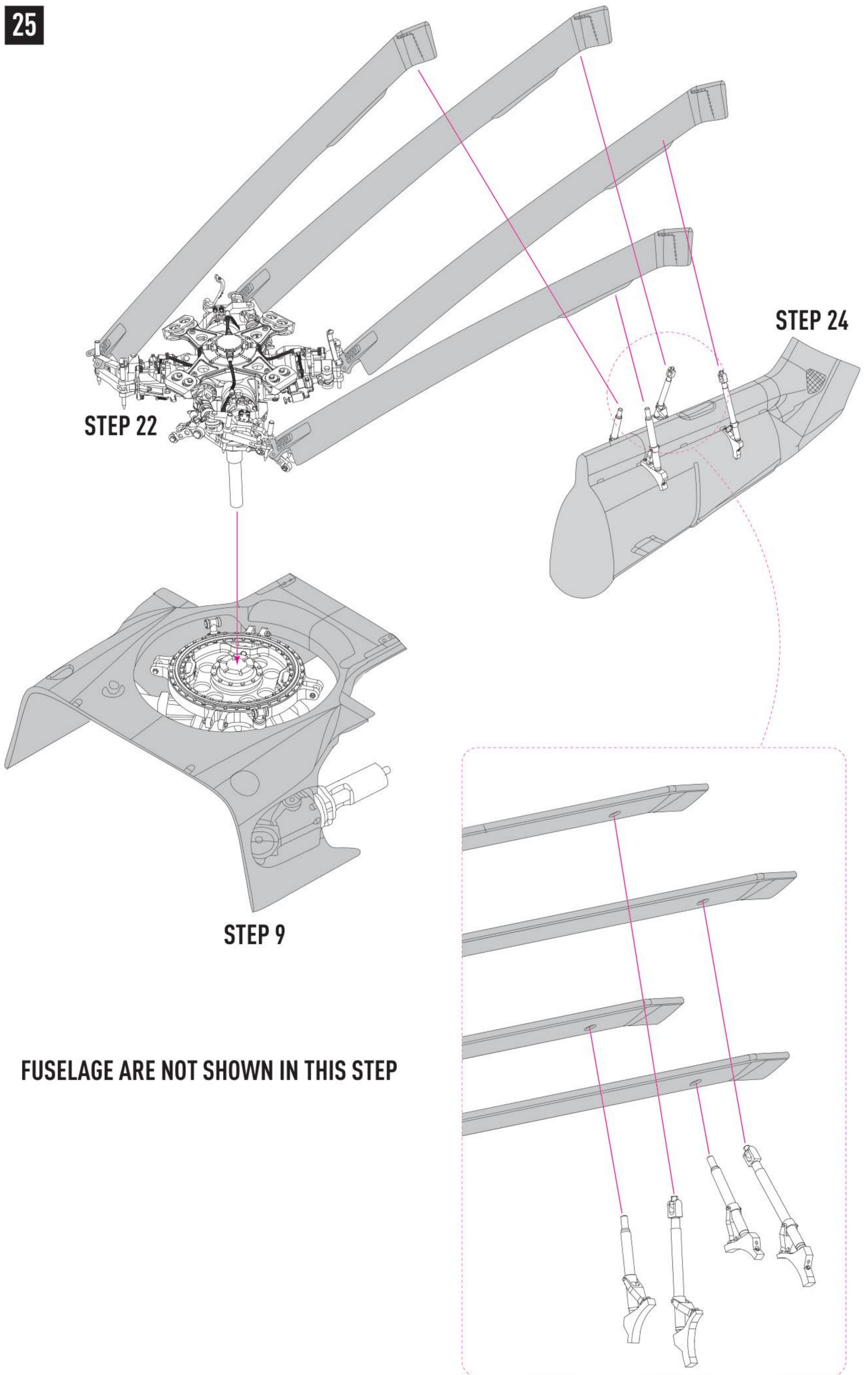
REPEAT THIS STEP FOR ALL BLADES

23

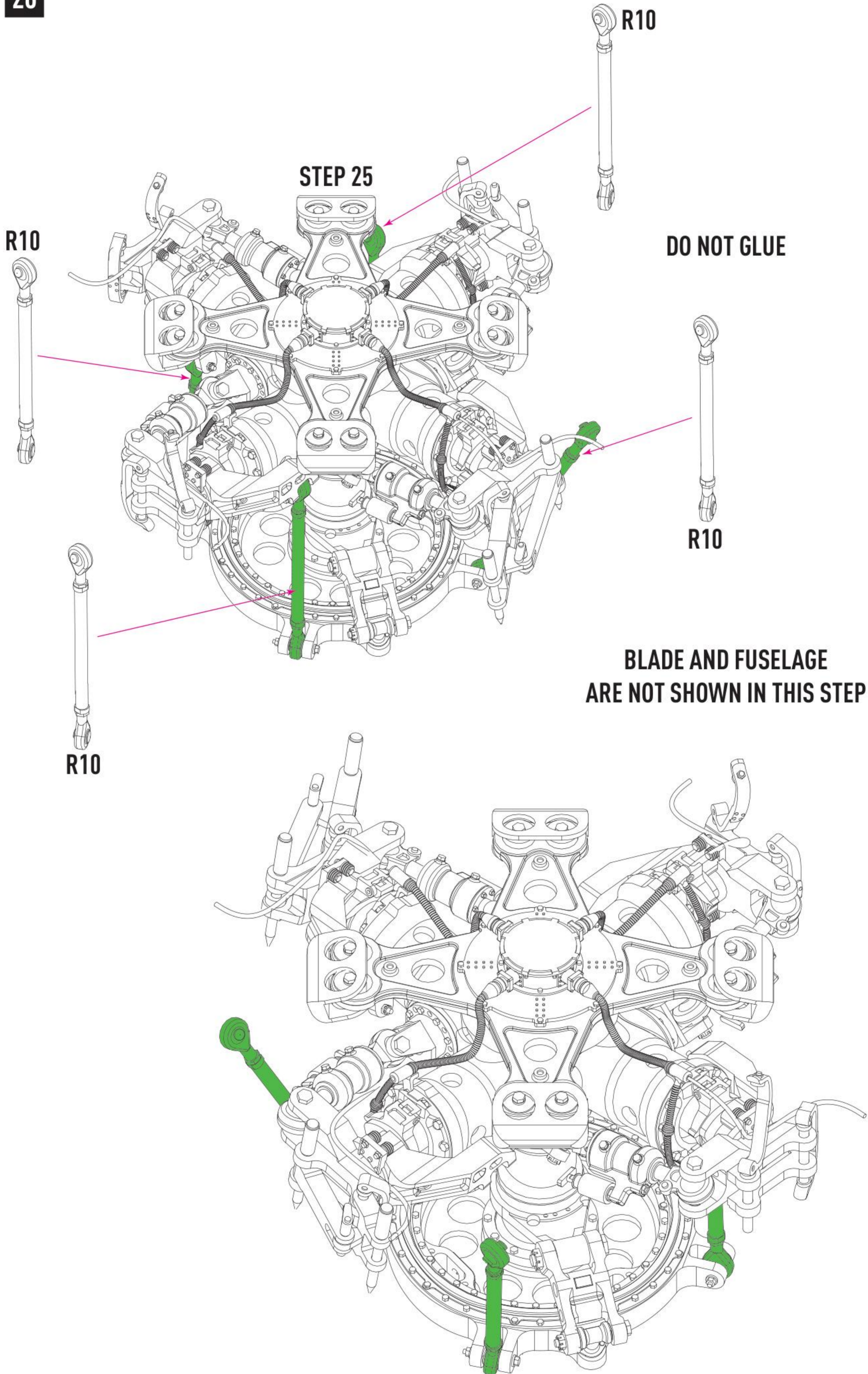


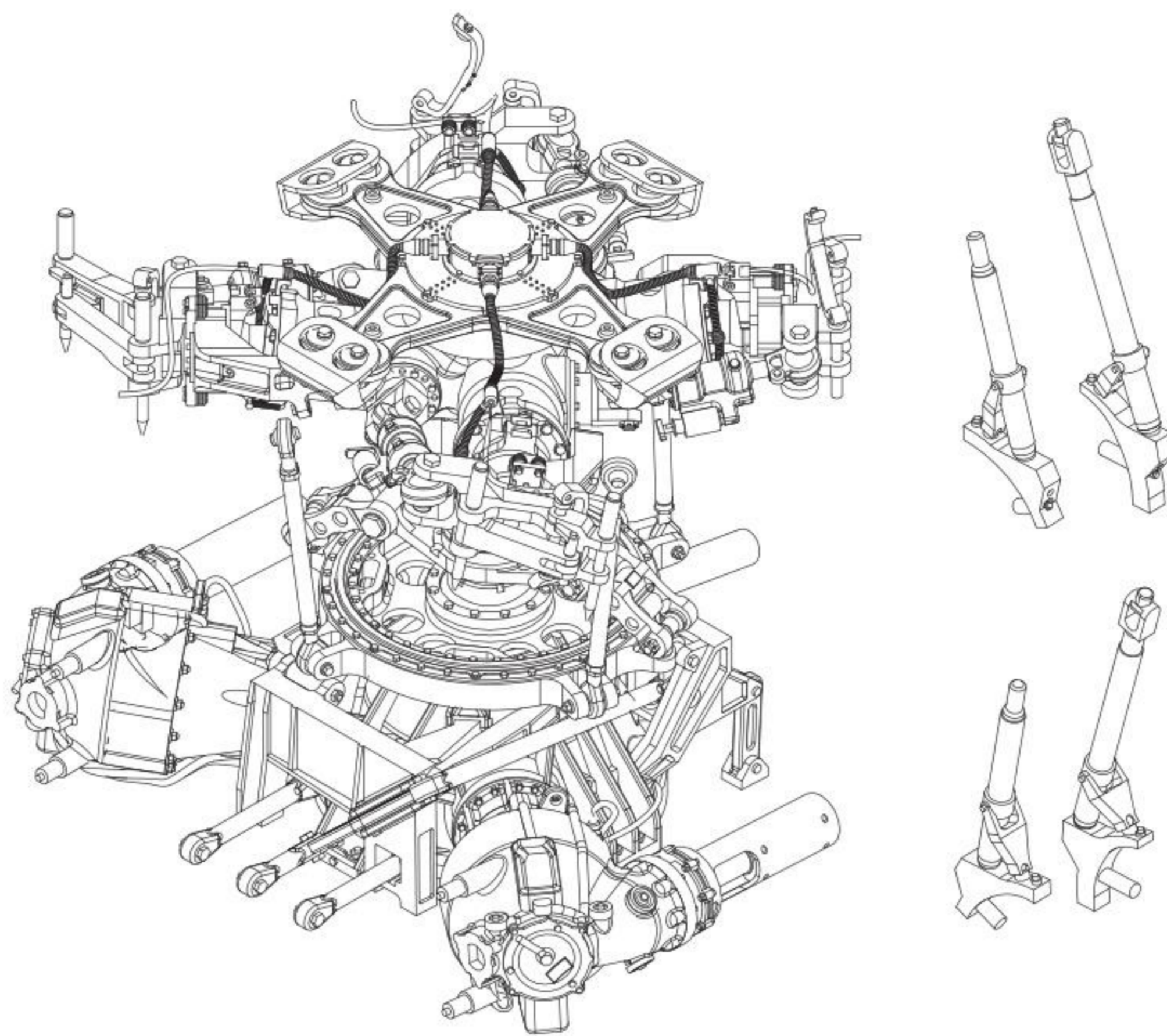
24



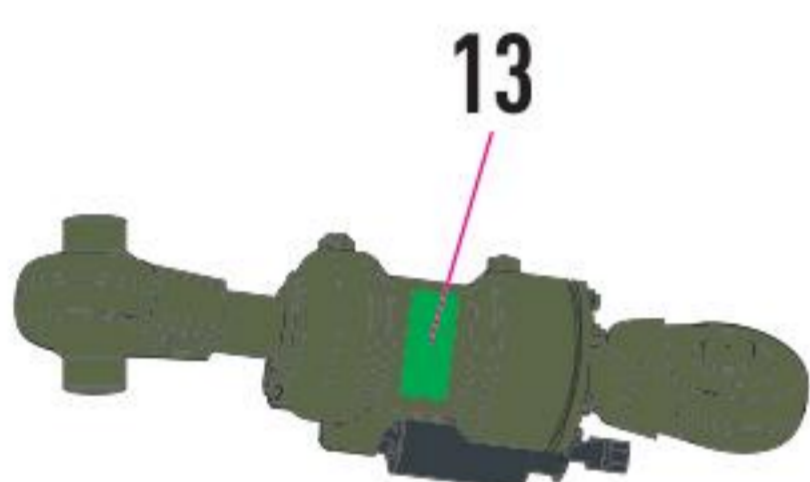


FUSELAGE ARE NOT SHOWN IN THIS STEP

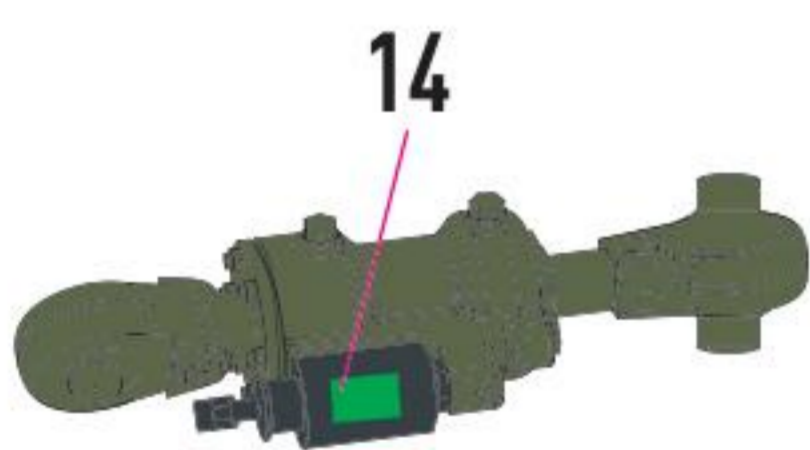




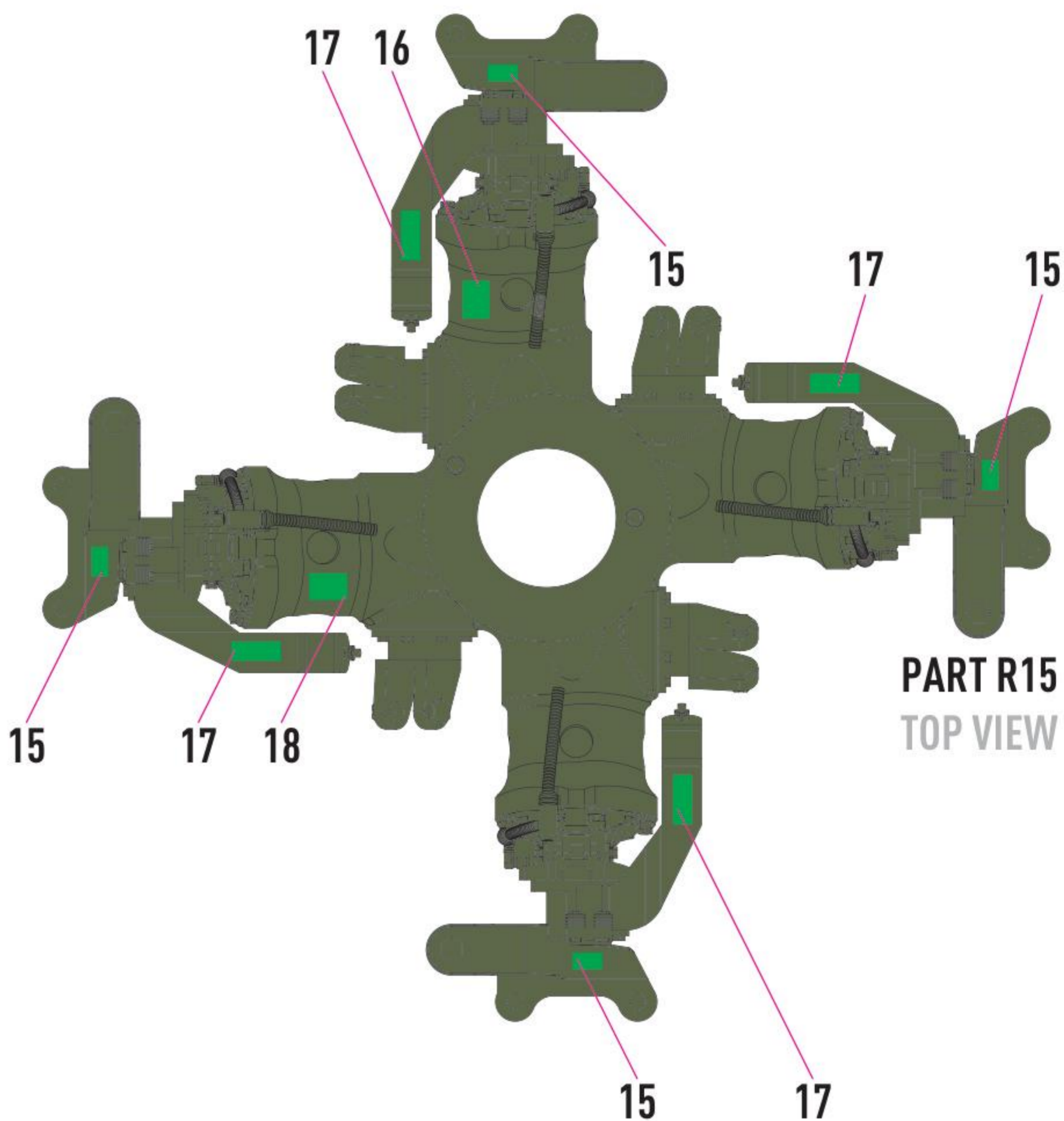
## DECAL INSTRUCTION



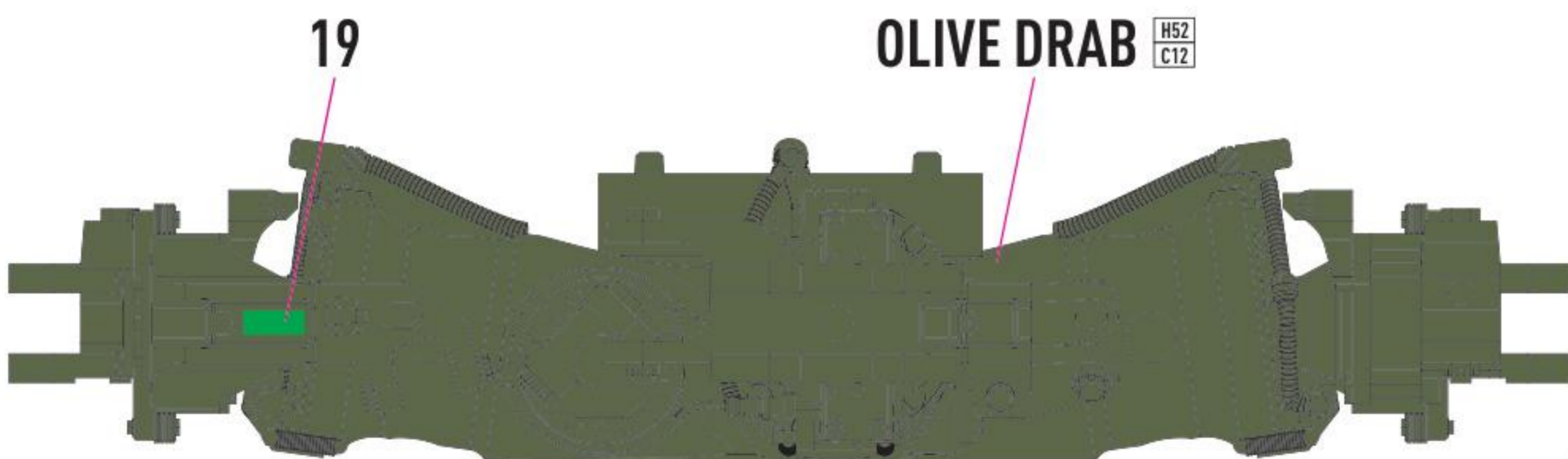
**PART R11**  
FRONT VIEW



**PART R11**  
BACK VIEW



**PART R15**  
TOP VIEW



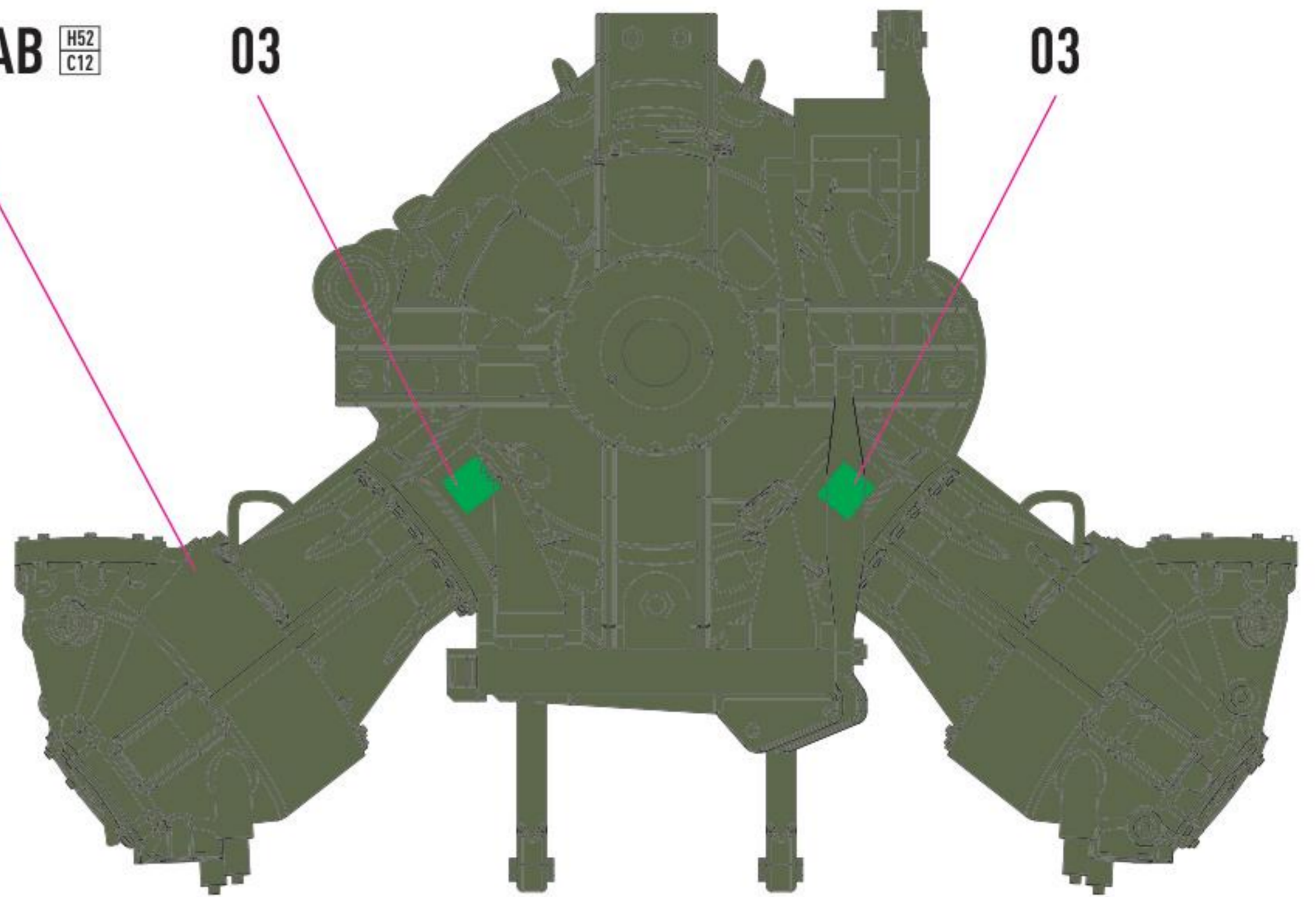
**PART R15**  
SIDE VIEW

REPEAT FOR ALL SIDES

OLIVE DRAB H52  
C12

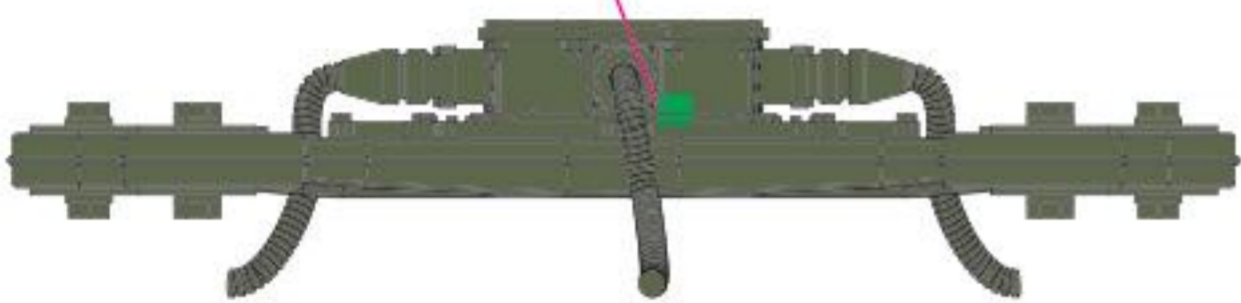
03

03



PART R1  
TOP VIEW

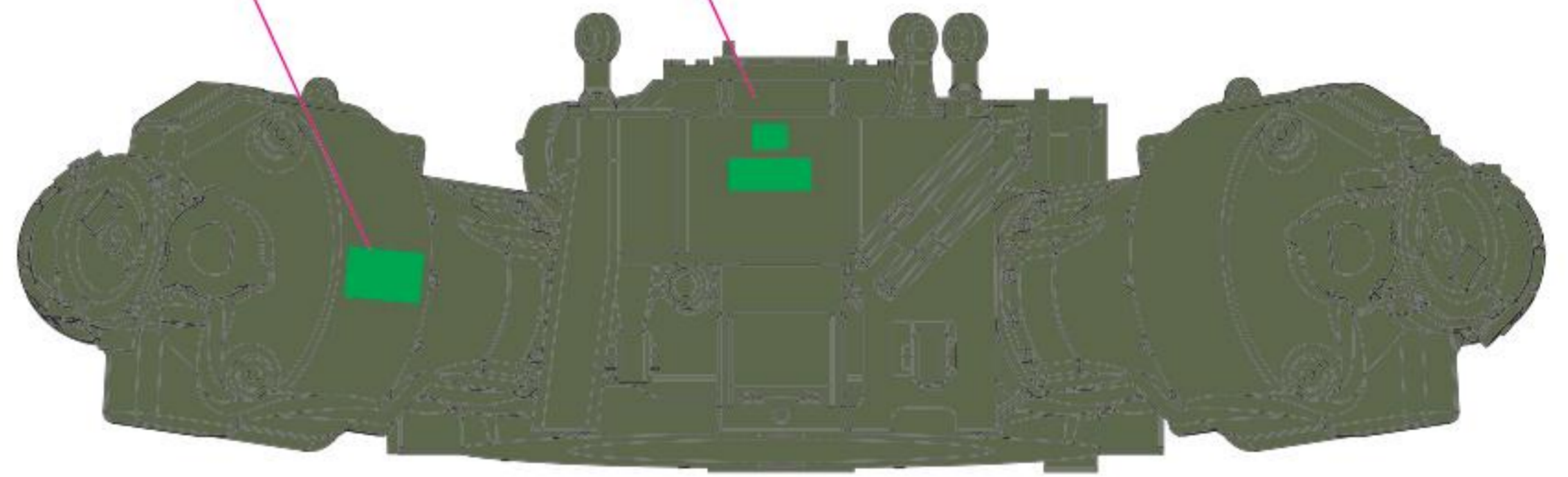
10



PART R14  
SIDE VIEW

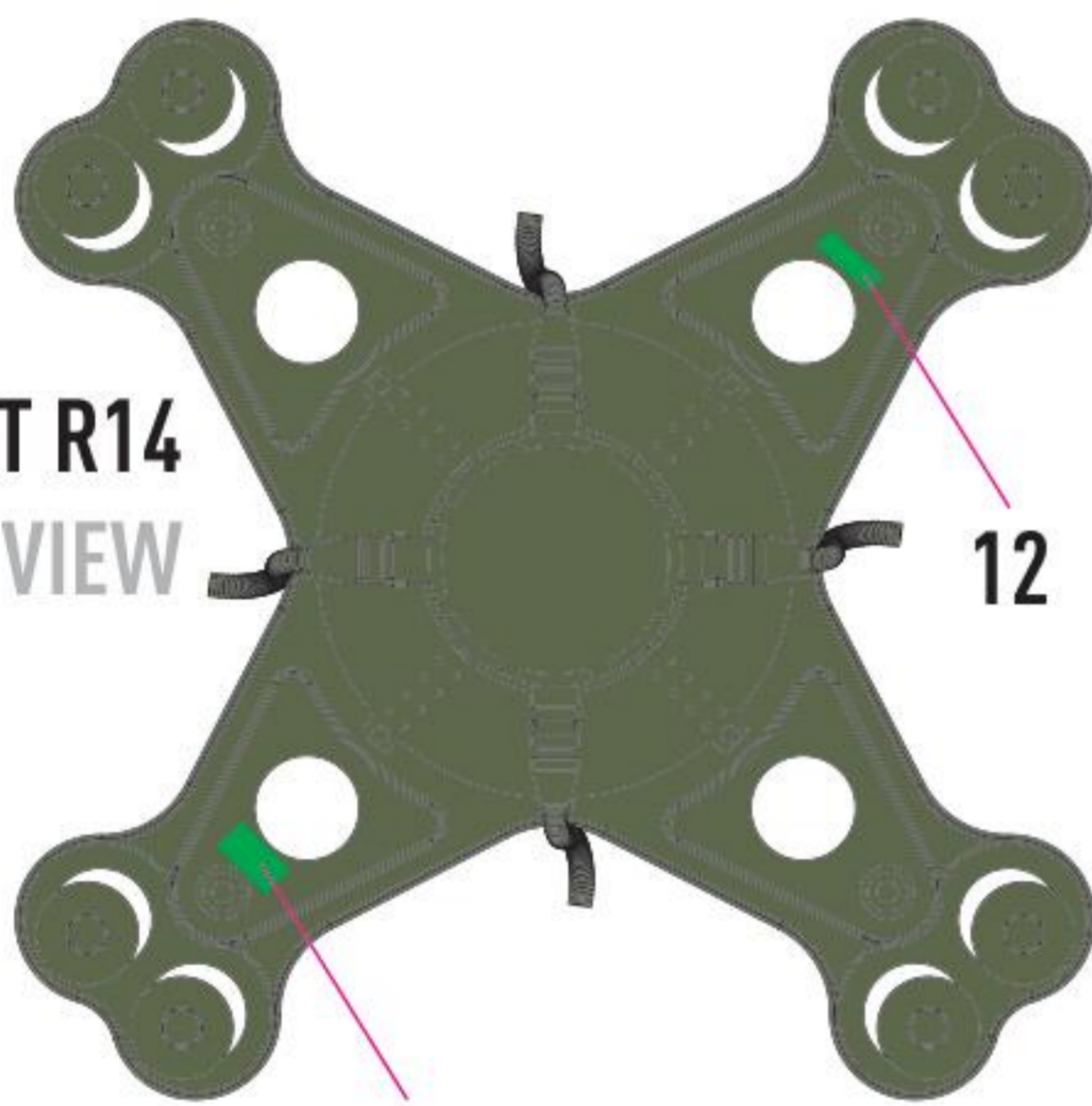
02

01



PART R1  
FRONT VIEW

PART R14  
TOP VIEW



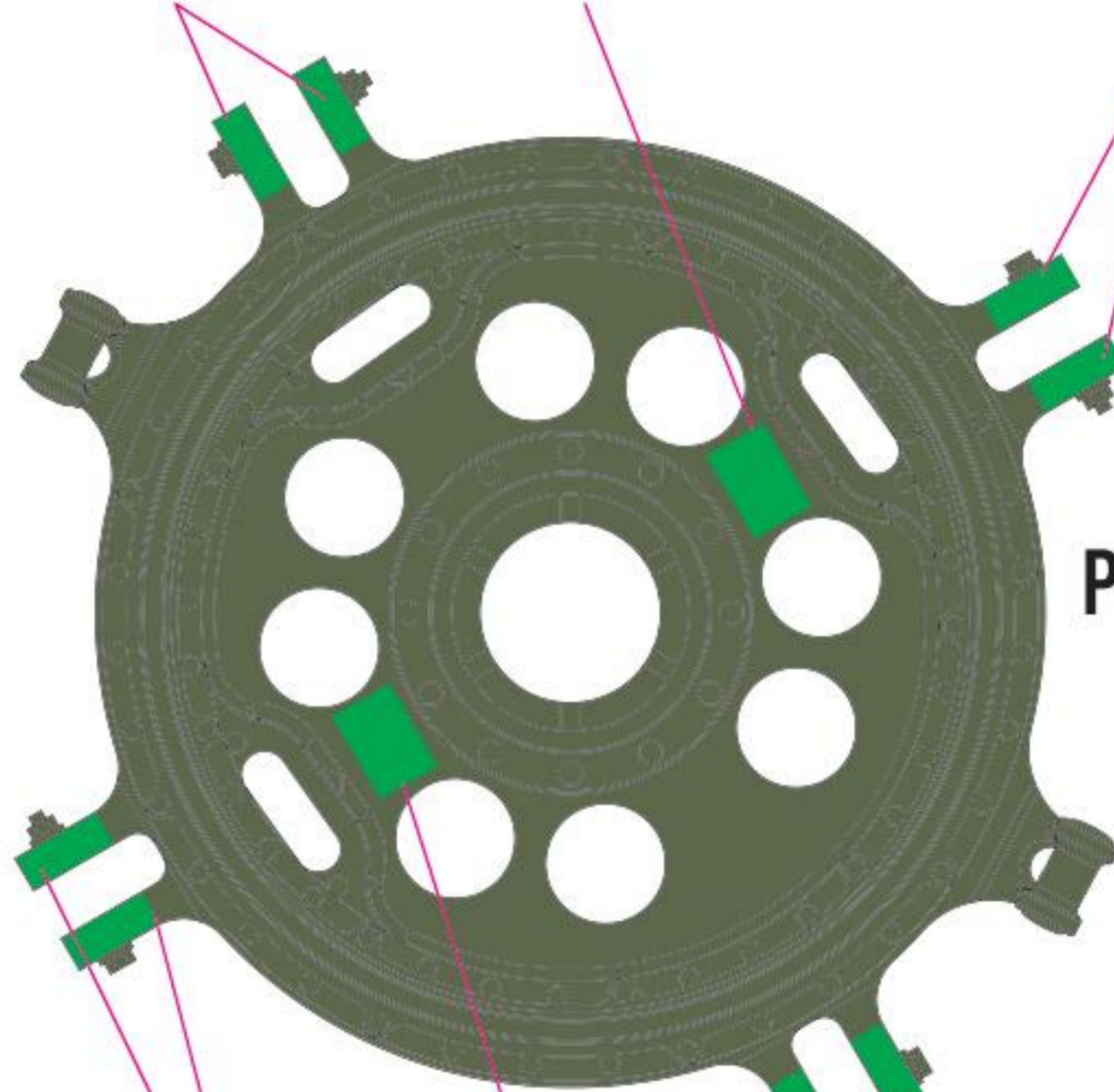
11

12

08

05

07



PARTS R7+R8  
TOP VIEW

06

05

09

04



PARTS R7+R8  
FRONT VIEW

### PAINT INSTRUCTION

COLORS	GUNZE / AQUEOUS	GUNZE / MR.COLOR
OLIVE DRAB	H52	C12

general Issues: [info@reskit.com.ua](mailto:info@reskit.com.ua) / claim resolution: [claims@reskit.com.ua](mailto:claims@reskit.com.ua)

**RESKIT-MODELS.COM**

[fb.com/reskit.official](https://fb.com/reskit.official)

[instagram.com/reskit\\_official](https://instagram.com/reskit_official)

[youtube.com/@reskit-usmd](https://youtube.com/@reskit-usmd)

YOU CAN FIND INSTRUCTIONS  
IN PDF FORMAT ON THE WEBSITE

**RESKIT-MODELS.COM**

General Issues: [info@reskit.com.ua](mailto:info@reskit.com.ua)

Wholesales: [sales@reskit.com.ua](mailto:sales@reskit.com.ua)

Claim Resolution: [claims@reskit.com.ua](mailto:claims@reskit.com.ua)