

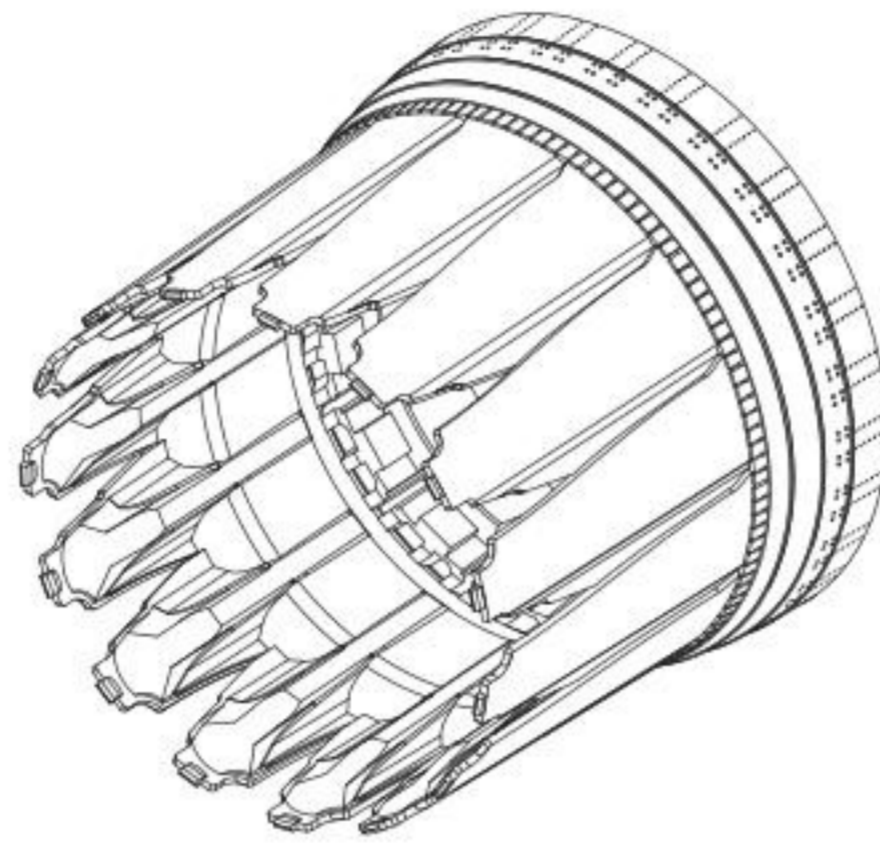
**DETAILS AFTER REMOVAL  
 FROM SUPPORTS**



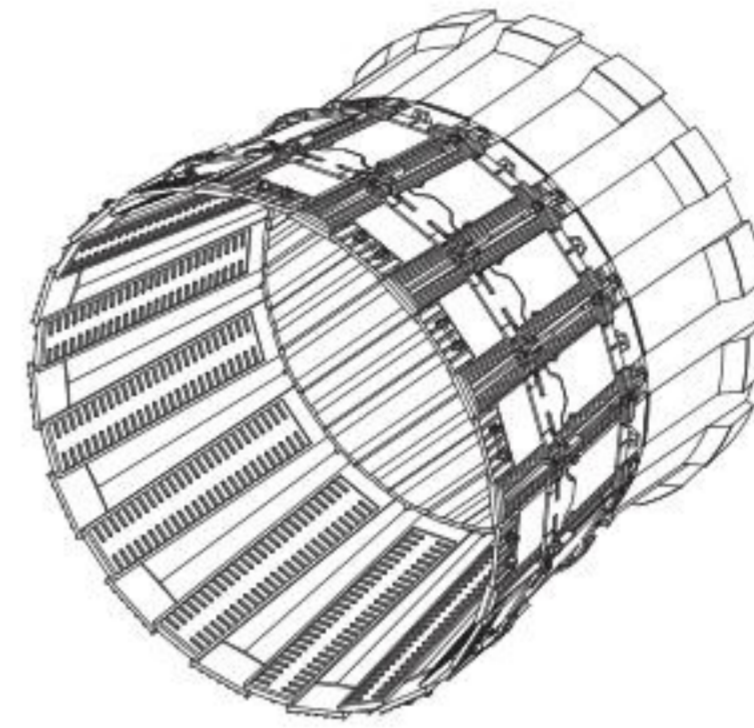
USE A SAW TO REMOVE SUPPORTS  
 FROM 3D PRINTED PARTS



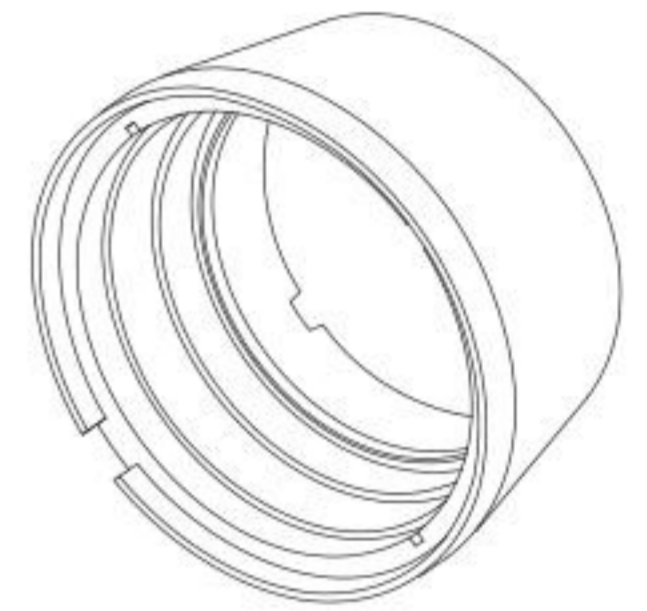
**R1 X2**



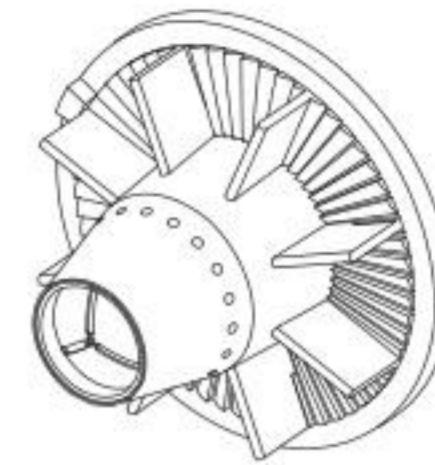
**R6 X2**



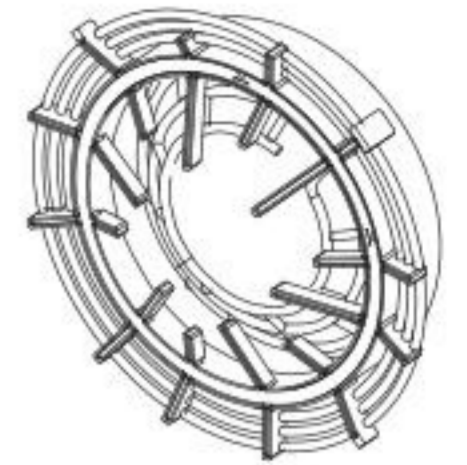
**R5 X2**



**R2 X2**

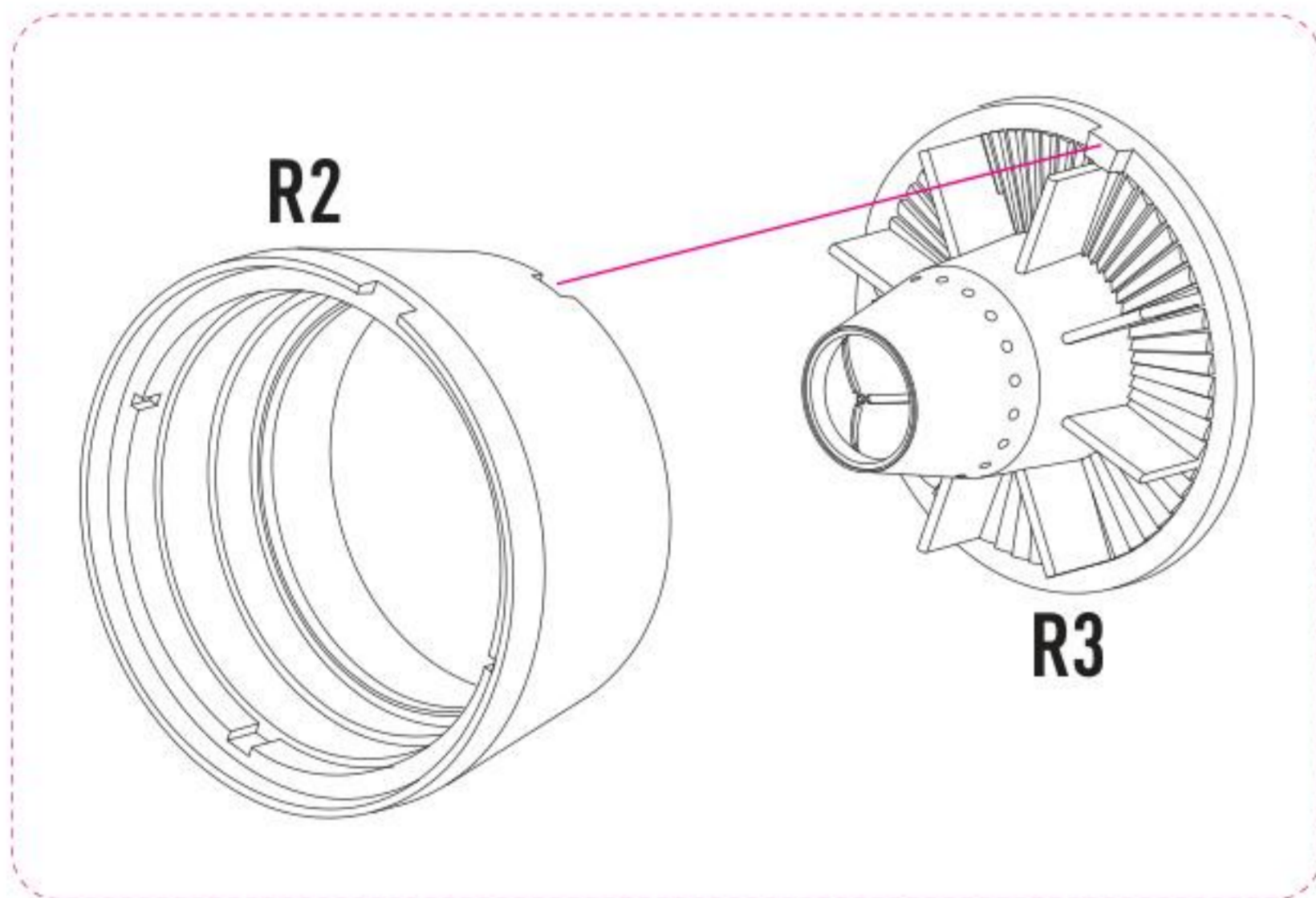


**R3 X2**



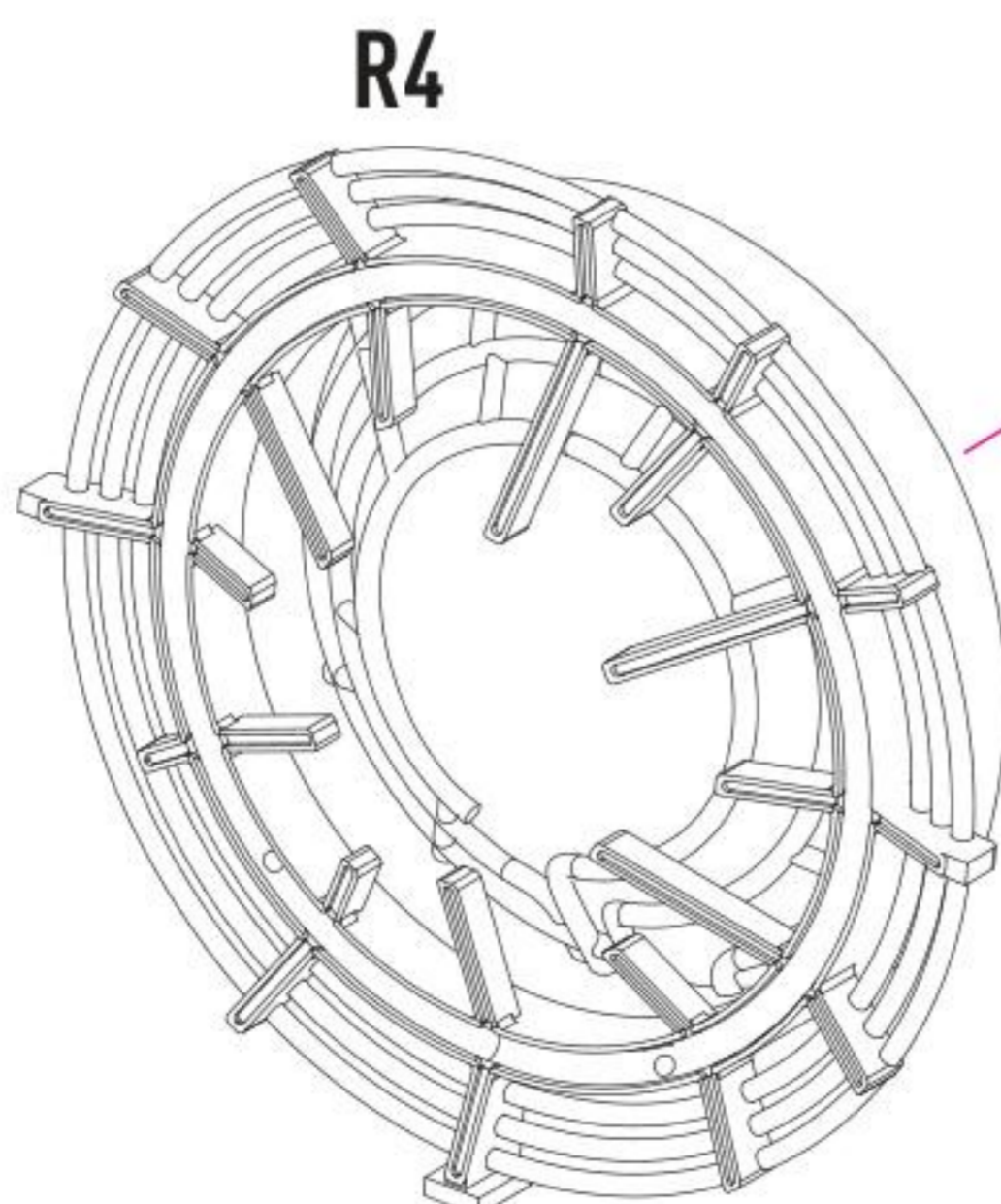
**R4 X2**

**1 X2**

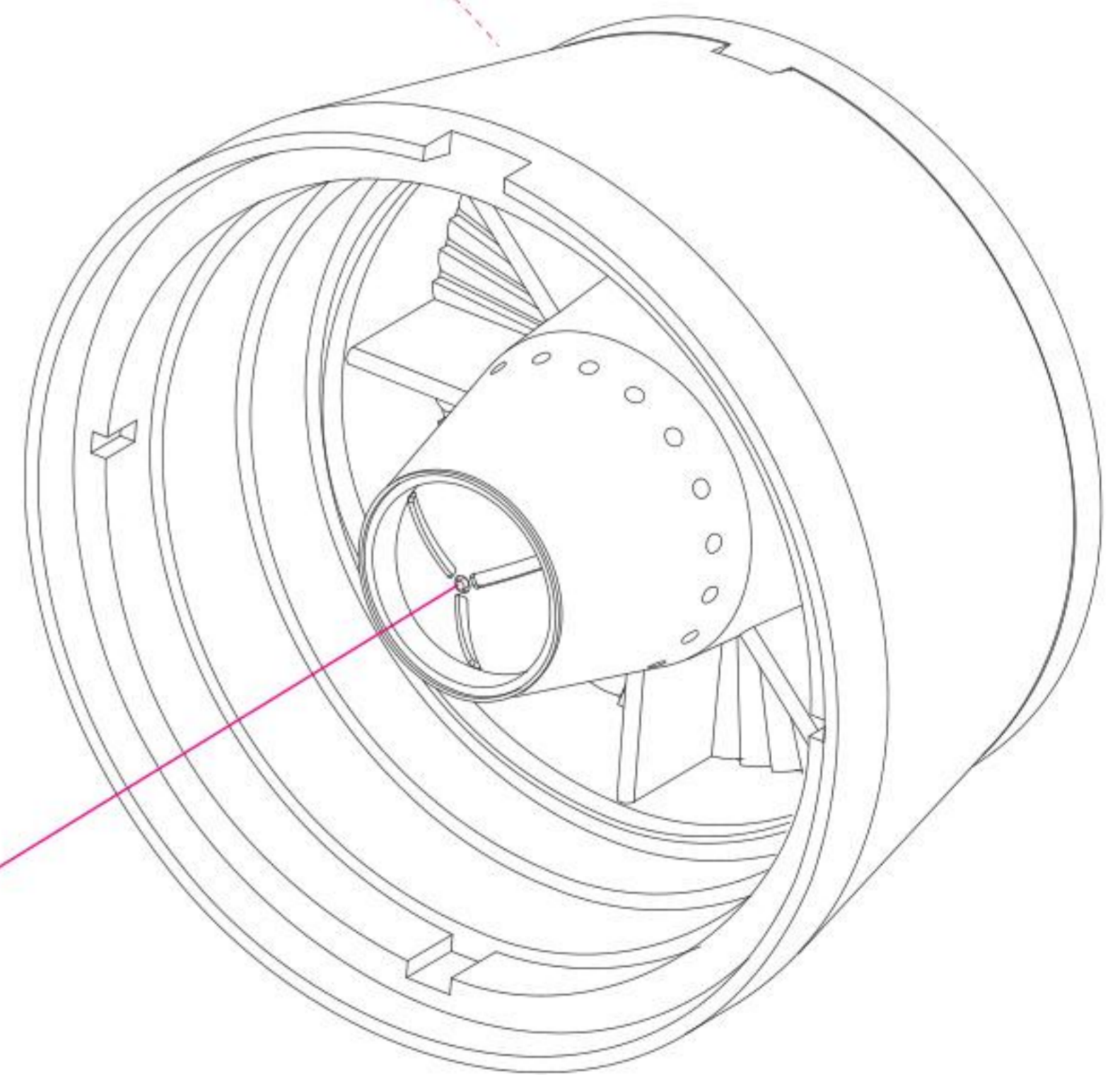


**R2**

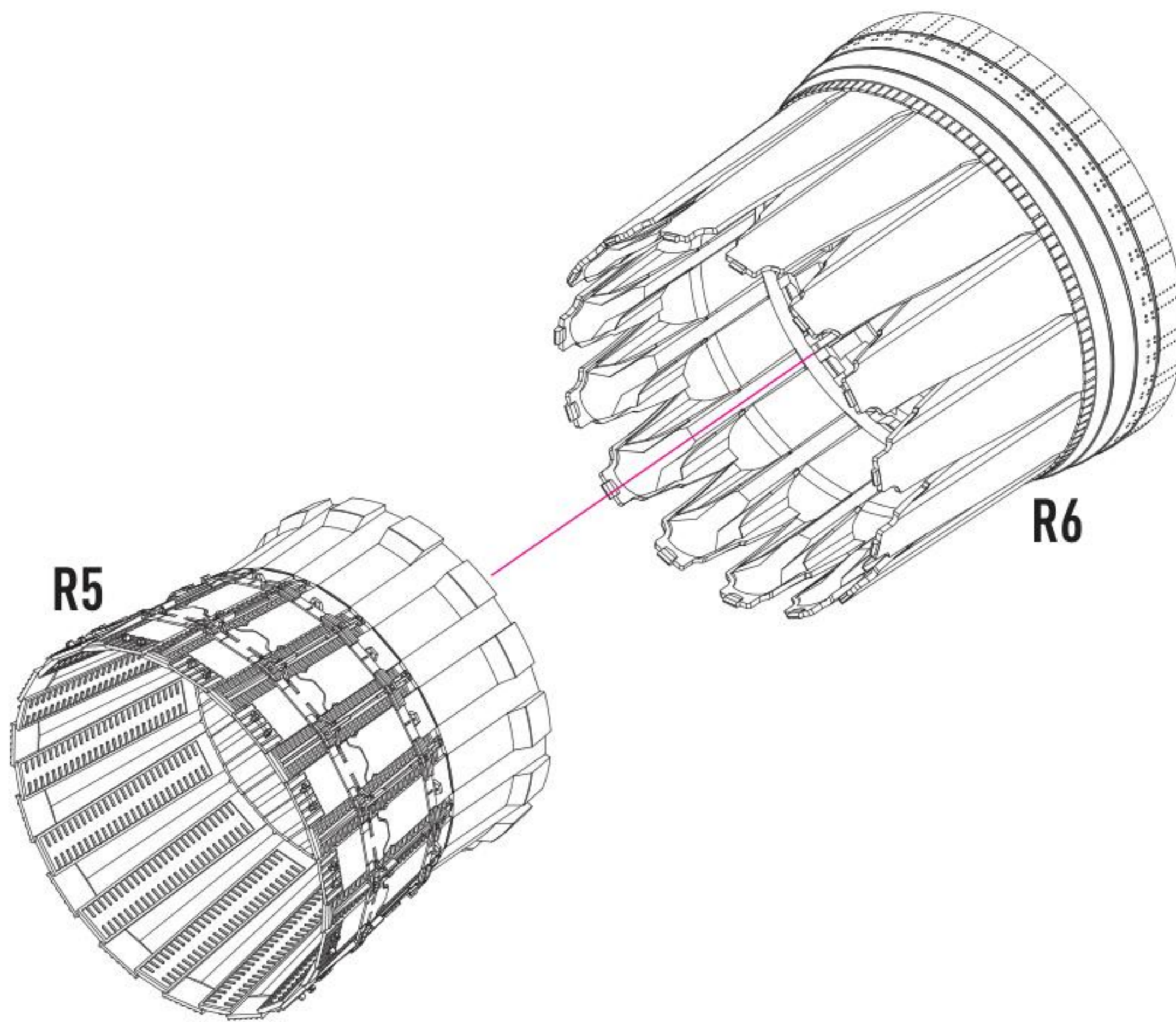
**R3**



**R4**



2 X2



3 X2

