

YOU CAN FIND INSTRUCTIONS  
IN PDF FORMAT ON THE WEBSITE

**RESKIT-MODELS.COM**

General Issues: [info@reskit.com.ua](mailto:info@reskit.com.ua)  
Wholesales: [sales@reskit.com.ua](mailto:sales@reskit.com.ua)  
Claim Resolution: [claims@reskit.com.ua](mailto:claims@reskit.com.ua)



**LOCKHEED F-104 STARFIGHTER BOOK**

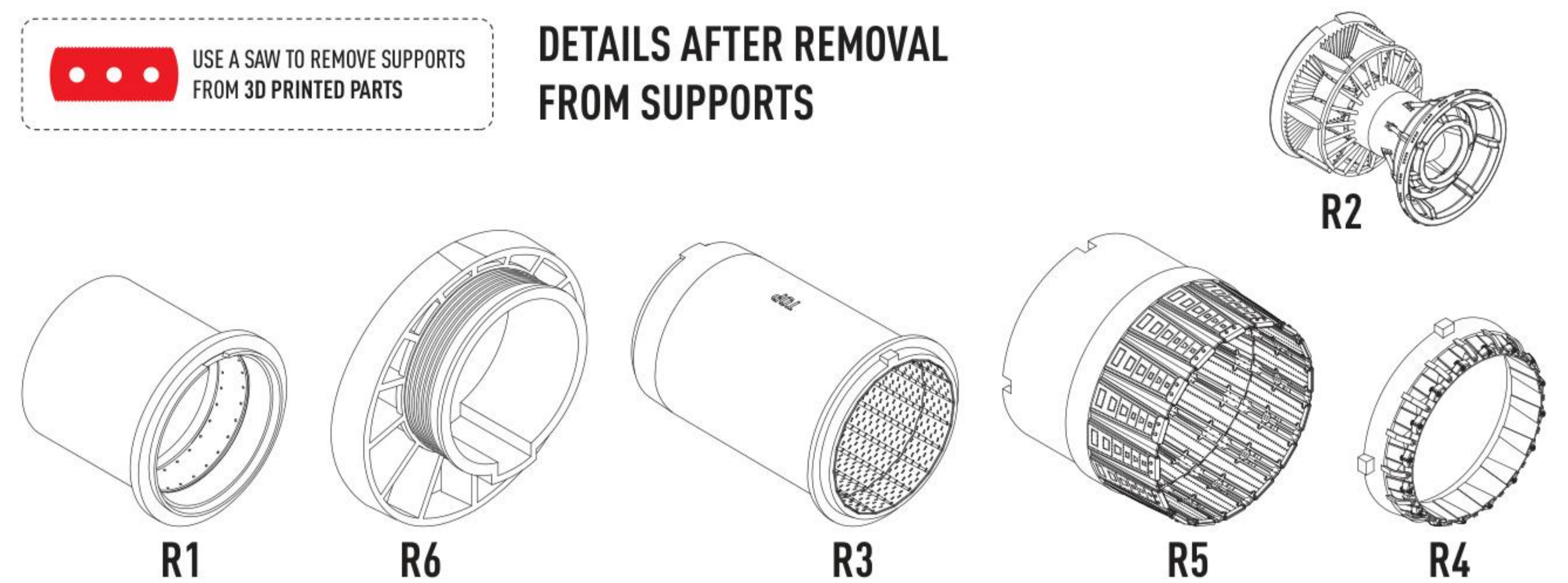
[DUKEHAWKINS.COM](http://DUKEHAWKINS.COM)

This iconic fighter jet needed some 180 pages to be shown in every detail. Designed by the aviation legend Kelly Johnson, the Starfighter was one of the first mass production jets capable of operating at speeds of up to Mach 2.

MORE DETAILED PHOTOS FOR BUILDING THE MODEL CAN BE FOUND IN THE BOOK DUKE HAWKINS

USE A SAW TO REMOVE SUPPORTS  
FROM 3D PRINTED PARTS

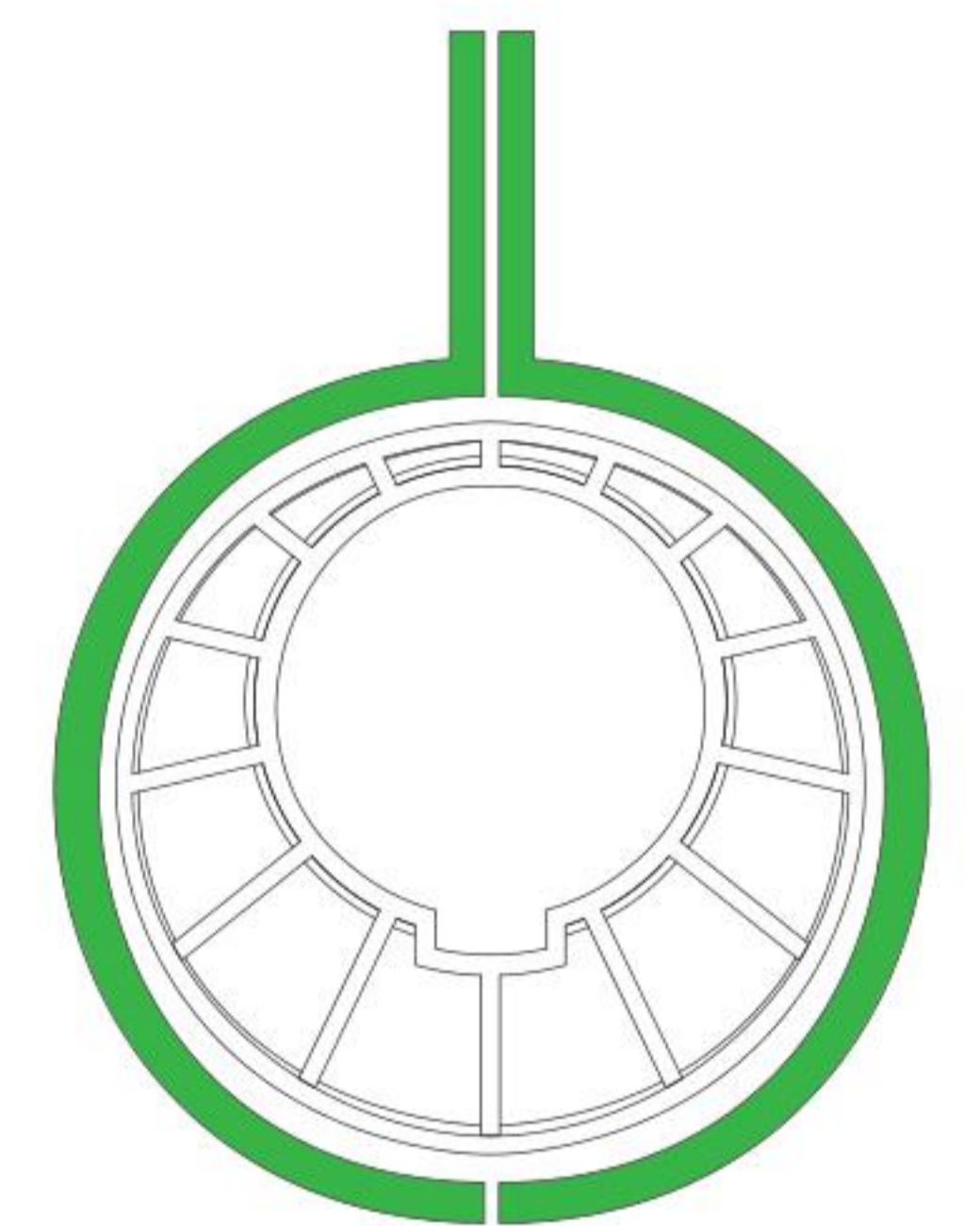
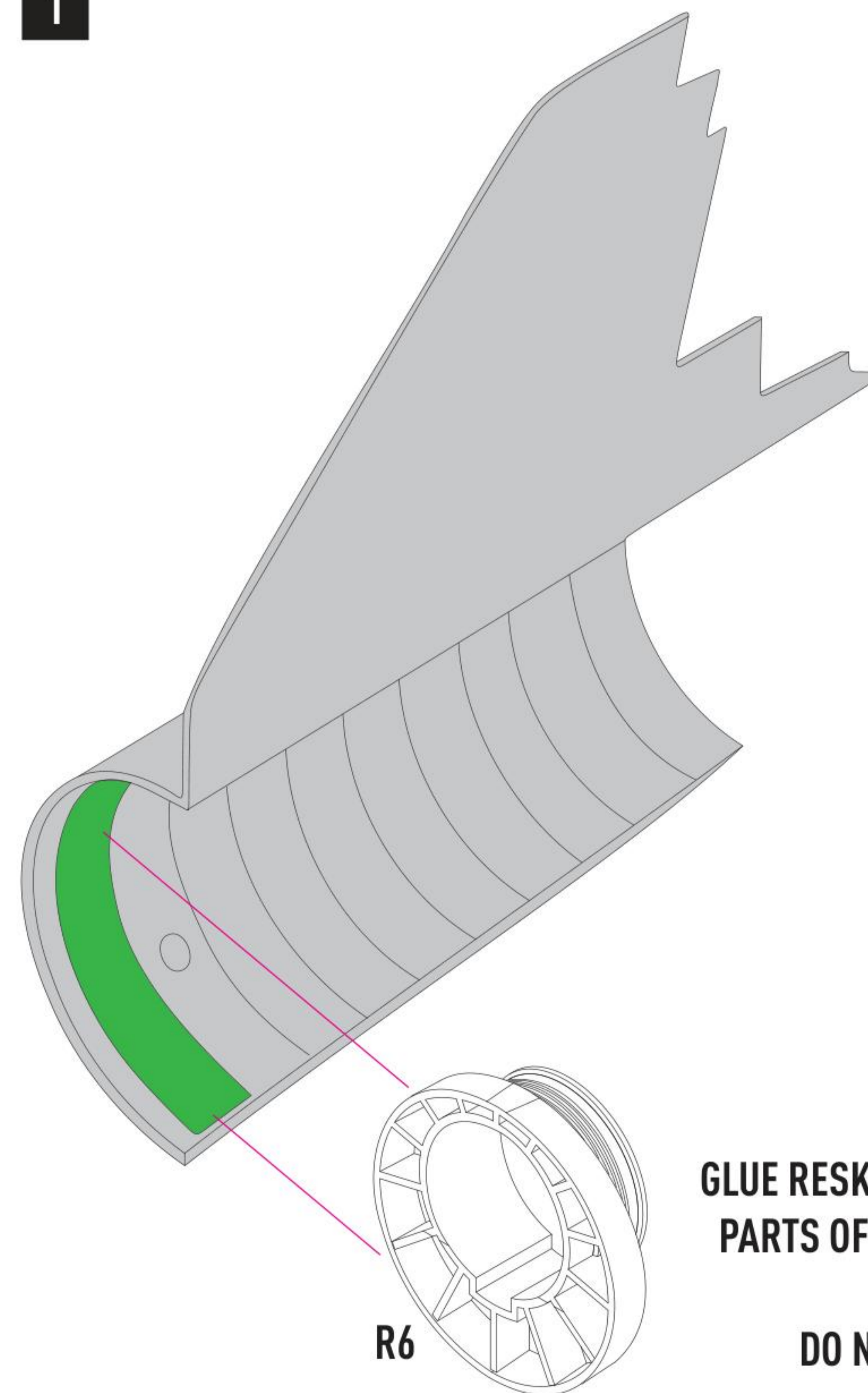
**DETAILS AFTER REMOVAL  
FROM SUPPORTS**



**1**

**ITALERI REAR FUSELAGE PARTS**

PLEASE NOTE SYMMETRICAL  
POSITION OF RESKIT PART R6  
BETWEEN FUSELAGE HALVES



**GLUE RESKIT PART R6 BETWEEN REAR FUSELAGE  
PARTS OF ITALERI KIT (ITALERI PARTS 34B, 1B)**

**DO NOT USE ITALERI PARTS 6PE, 7PE**

