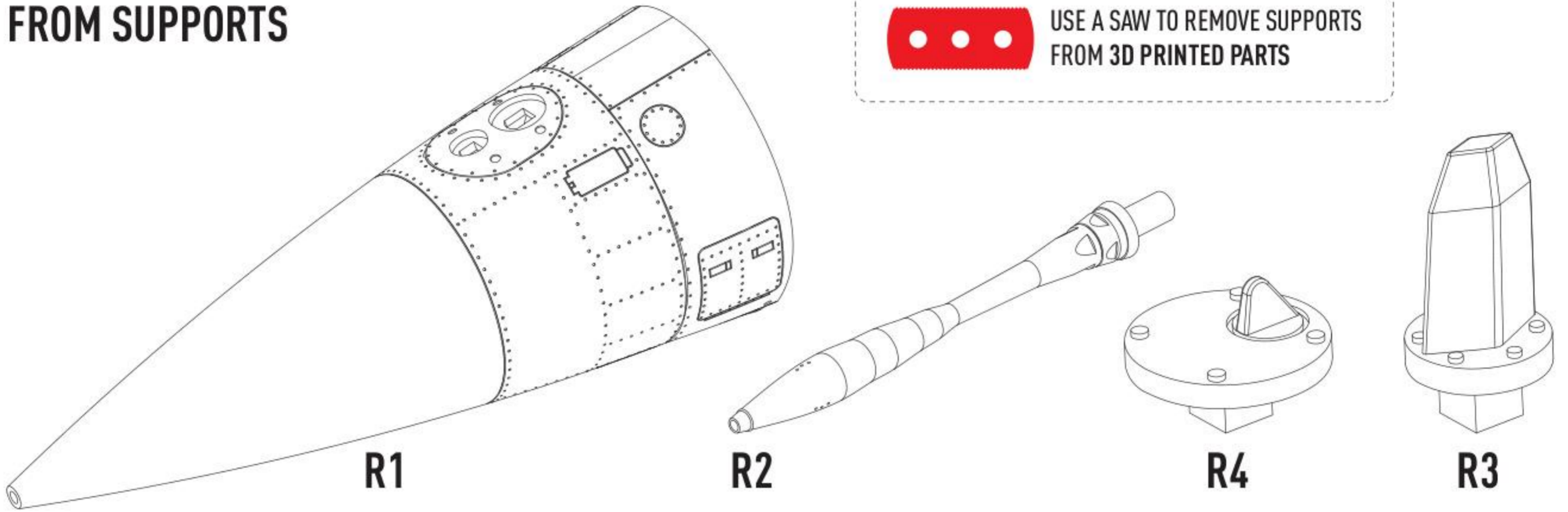


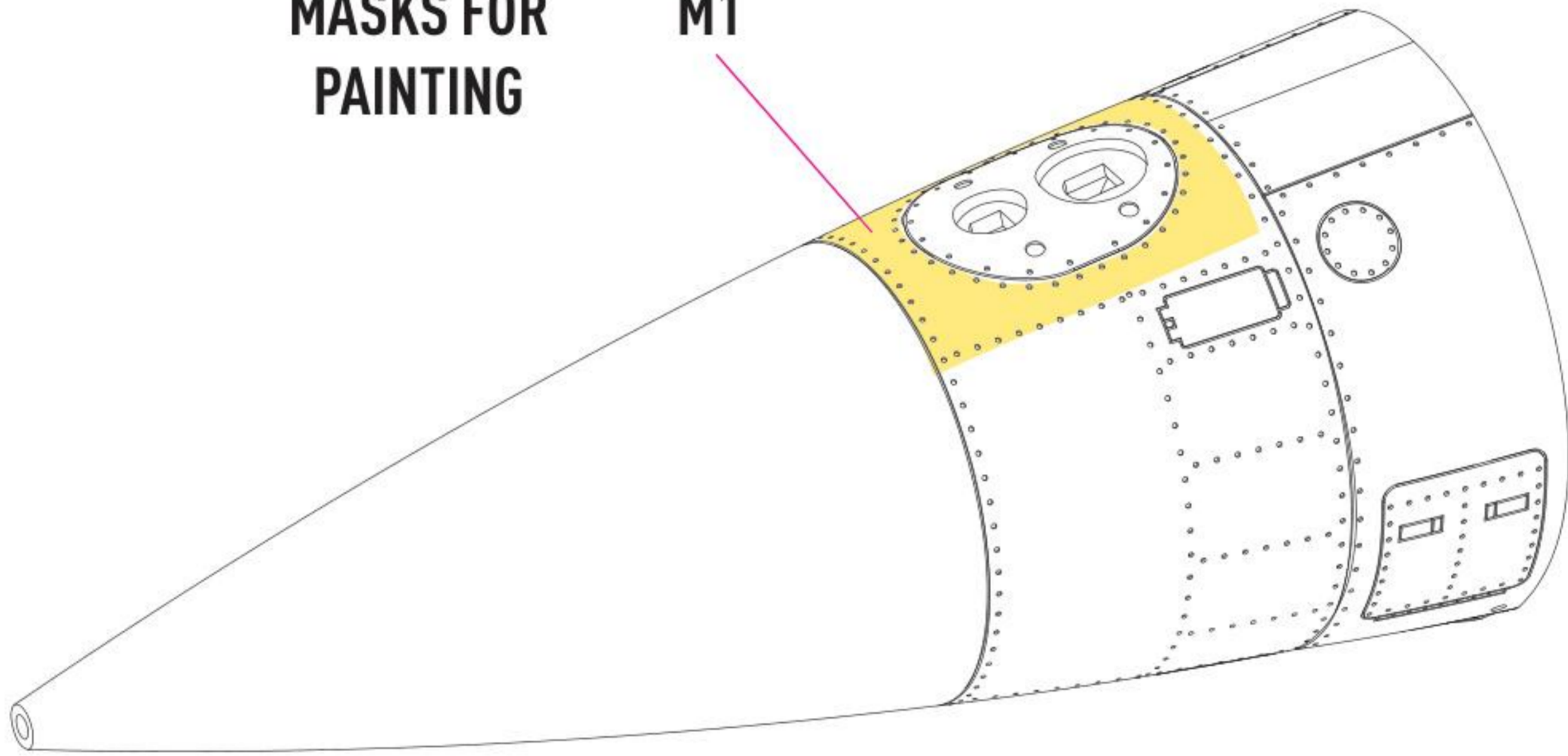
**DETAILS AFTER REMOVAL
FROM SUPPORTS**



1

**MASKS FOR
PAINTING**

M1



2

