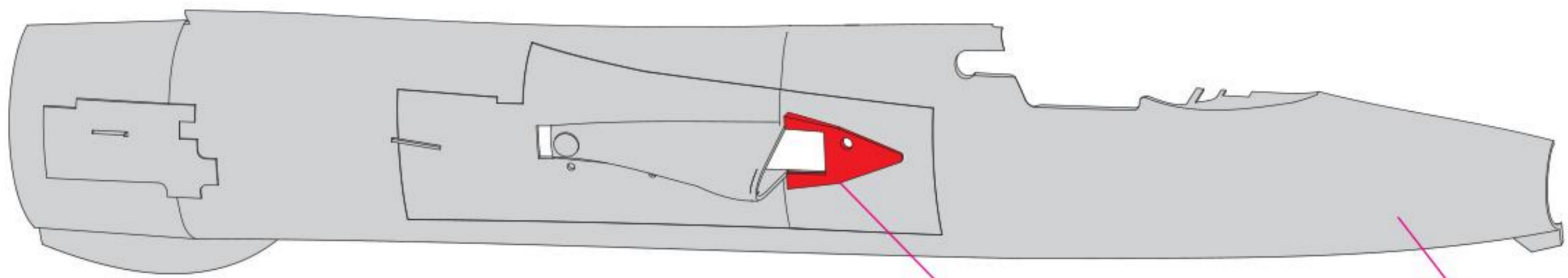


**1 FOR SINGLE VERSION**

ALL ACTIONS ARE PERFORMED SYMMETRICALLY FOR THE LEFT AND RIGHT HALVES OF THE FUSELAGE (M1 AND M2 MASKS)

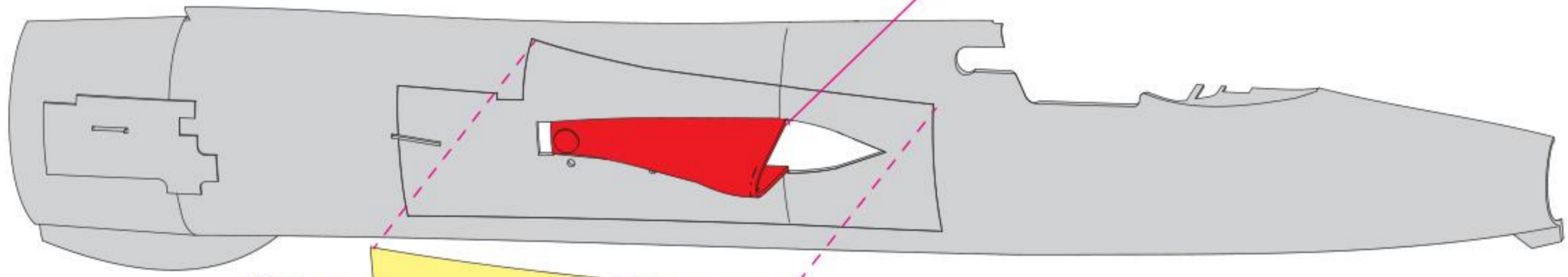


APPLY THE MASK ALONG THE STITCHING LINE

CUT

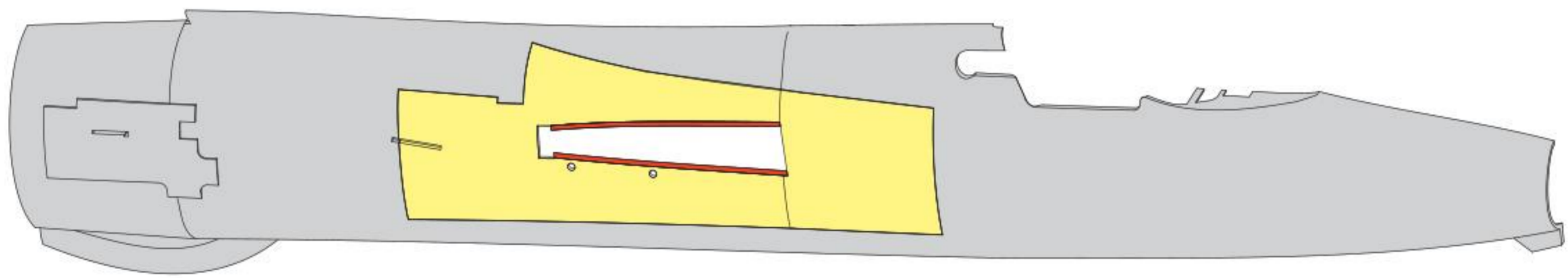
A13 FROM  
KIT F-105D

CUT



M1

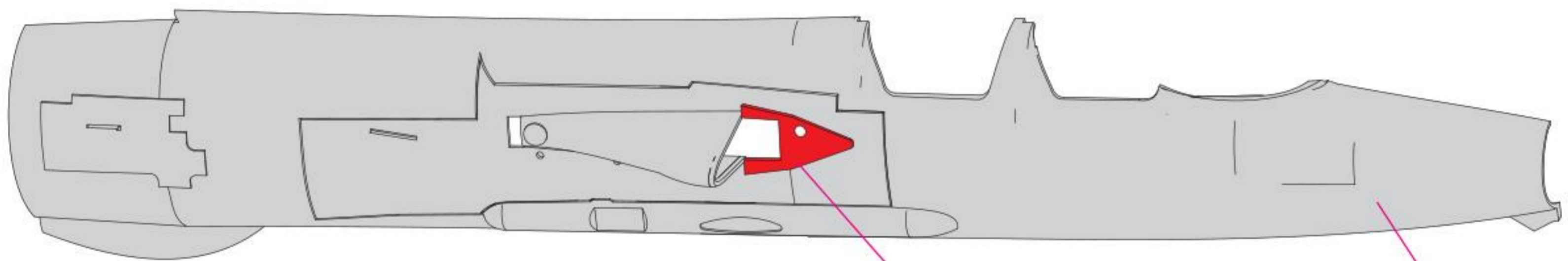
WHEN APPLYING THE MASK, IT IS RECOMMENDED  
TO START FROM THE LINE SHOWN IN GREEN



CUT THE PLASTIC ALONG THE HOLE IN THE MASK. REMOVE THE MASK

**FOR DOUBLE VERSION**

ALL ACTIONS ARE PERFORMED SYMMETRICALLY FOR THE LEFT AND RIGHT HALVES OF THE FUSELAGE (M3 AND M4 MASKS)

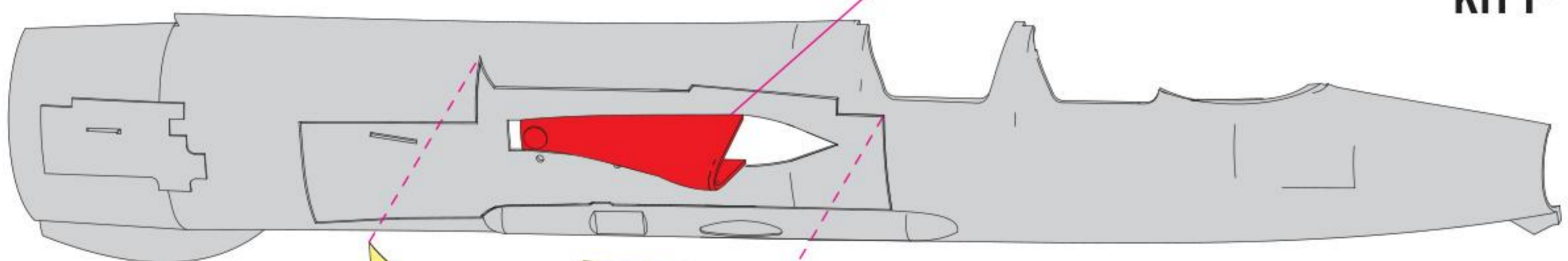


APPLY THE MASK ALONG THE STITCHING LINE

CUT

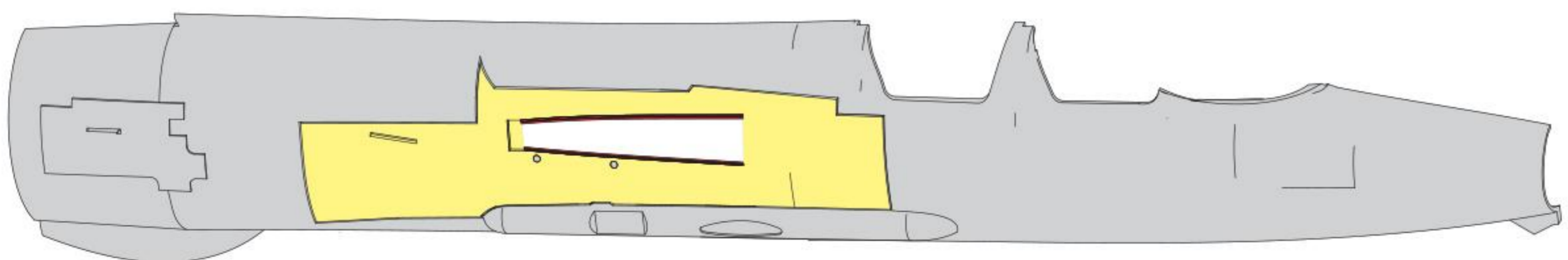
A19 FROM  
KIT F-105G

CUT



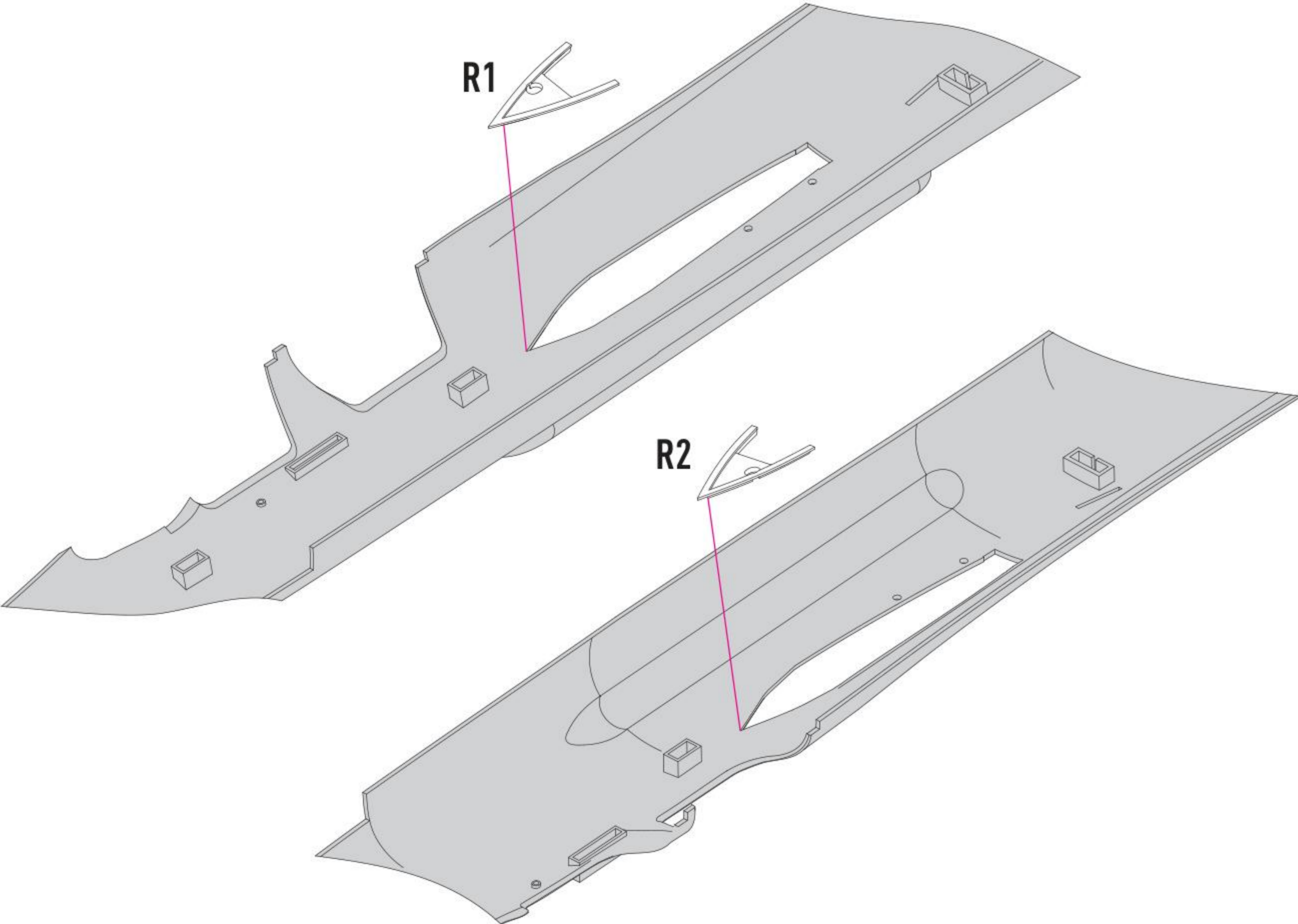
M3

WHEN APPLYING THE MASK, IT IS RECOMMENDED  
TO START FROM THE LINE SHOWN IN GREEN

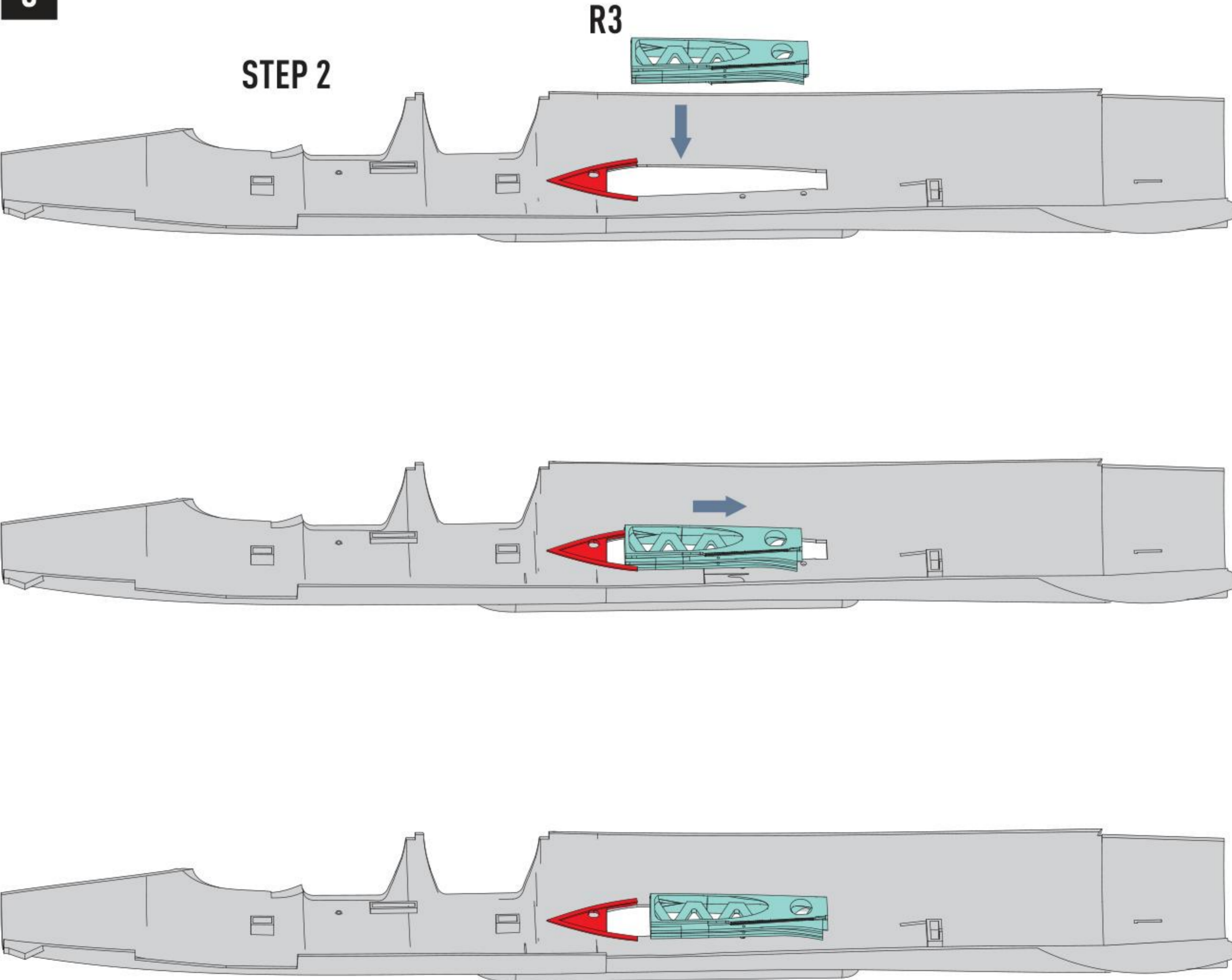


CUT THE PLASTIC ALONG THE HOLE IN THE MASK. REMOVE THE MASK

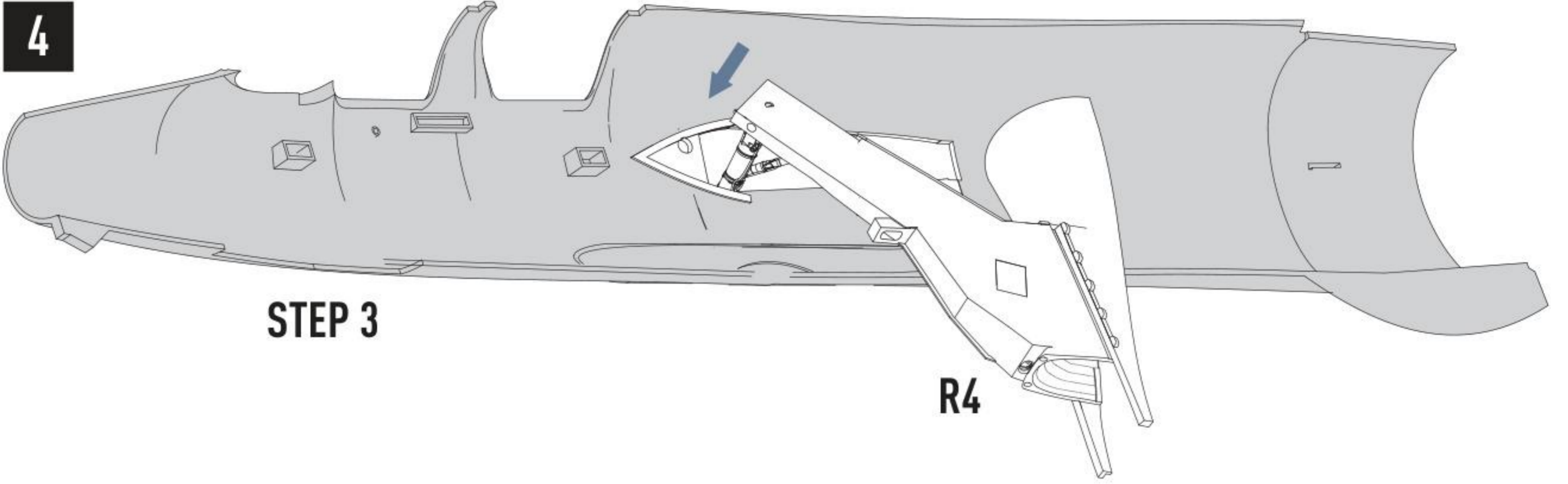
2



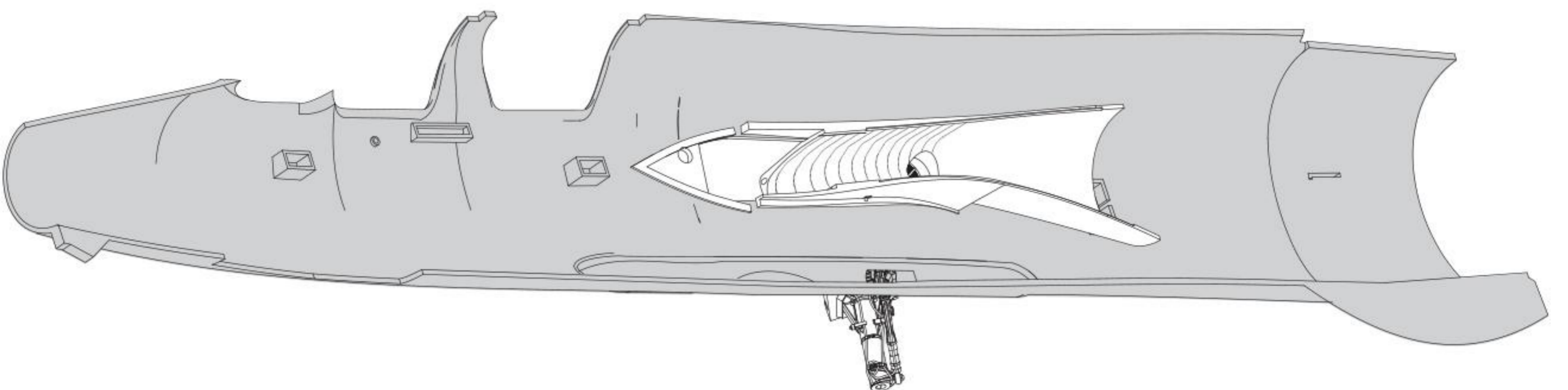
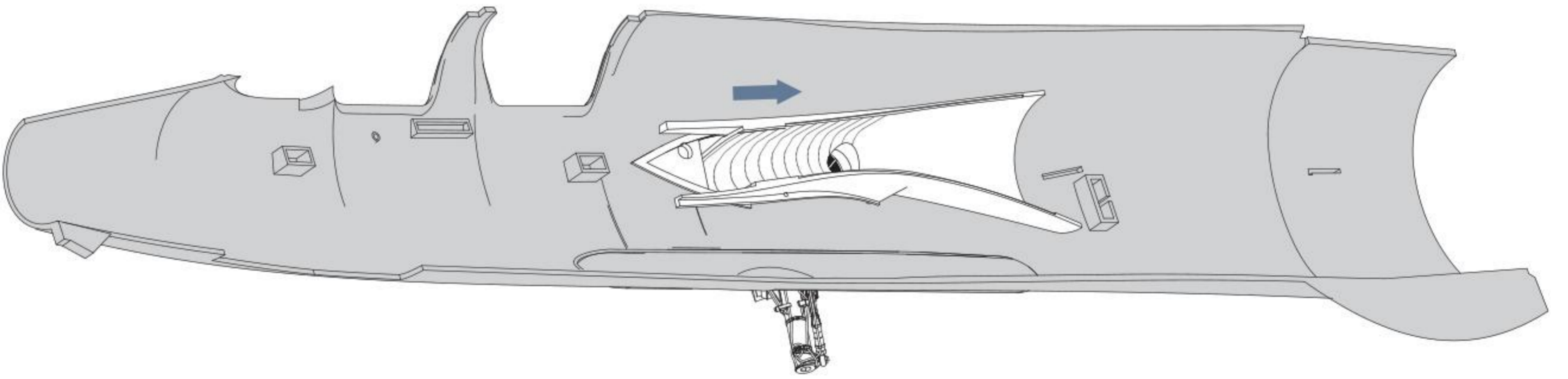
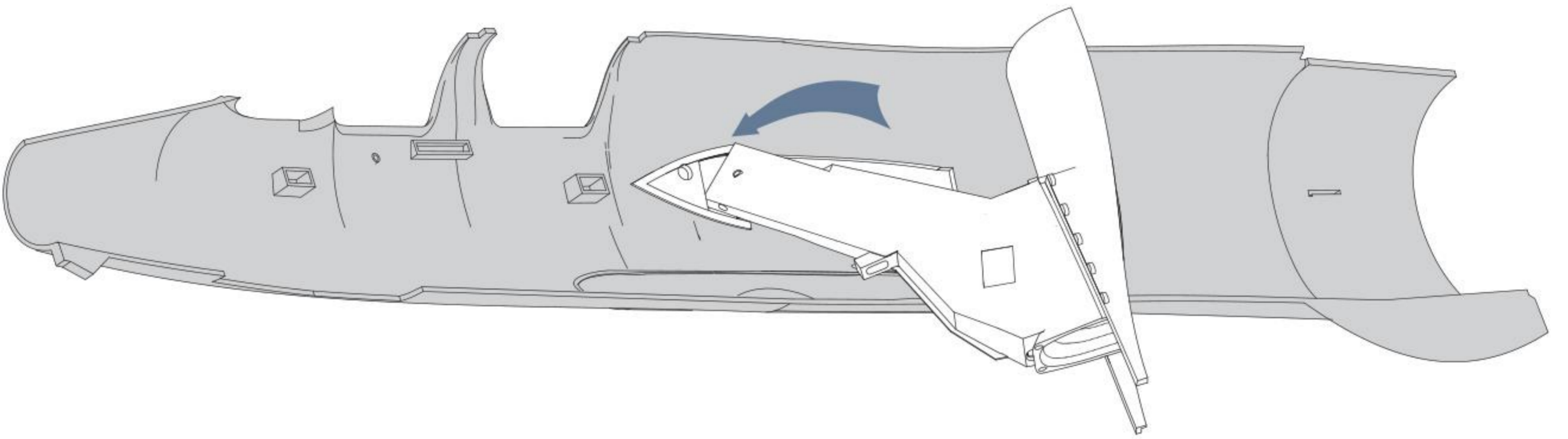
3



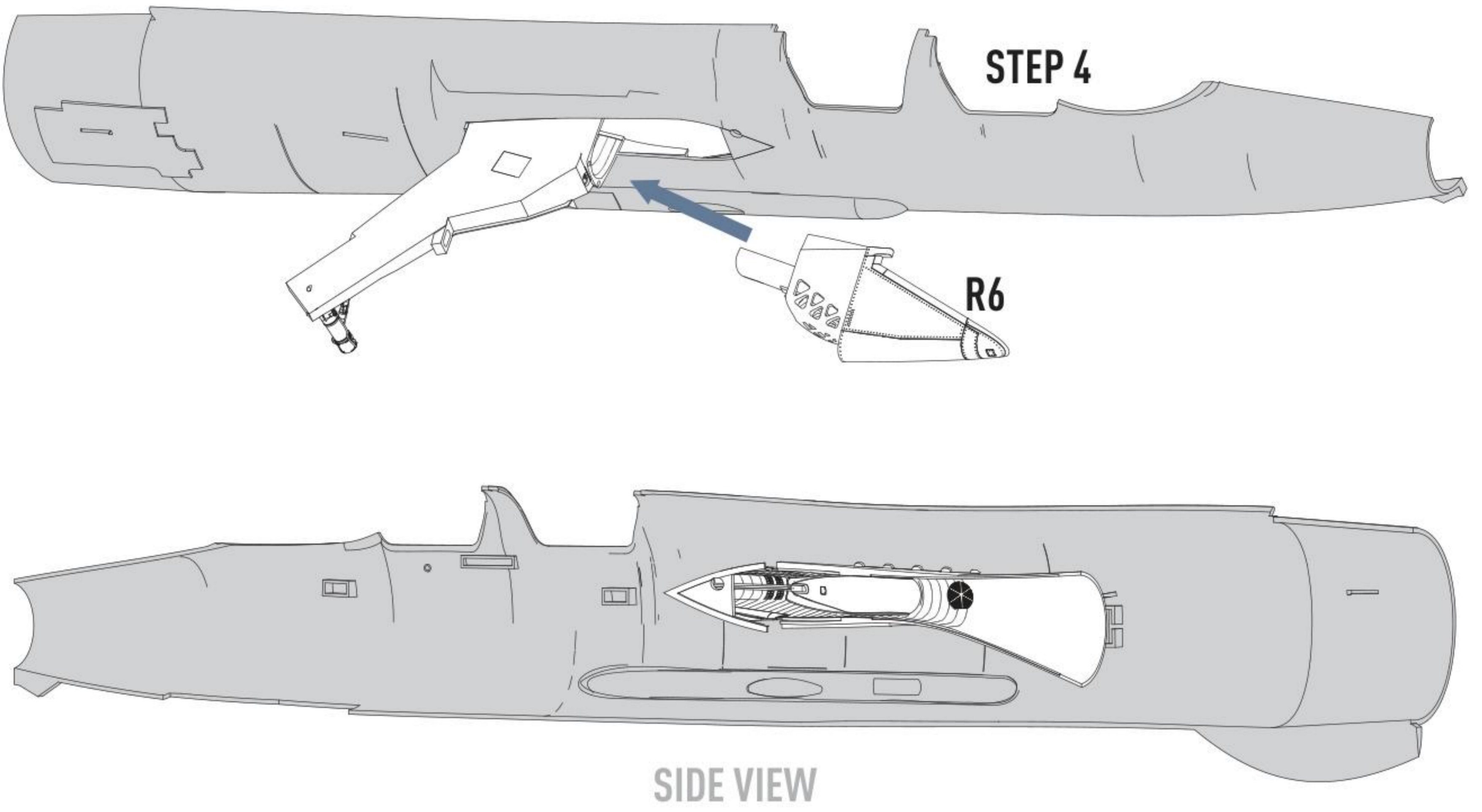
THE HOLE OF WHICH MUST COINCIDE WITH THE HOLE OF THE CONDUCTOR



**AFTER THE PREPARATION OF THE SEATS IS COMPLETED, THE CONDUCTOR IS REMOVED AND A PART IS INSTALLED IN ITS PLACE, USING THE SAME LANDMARKS R3**

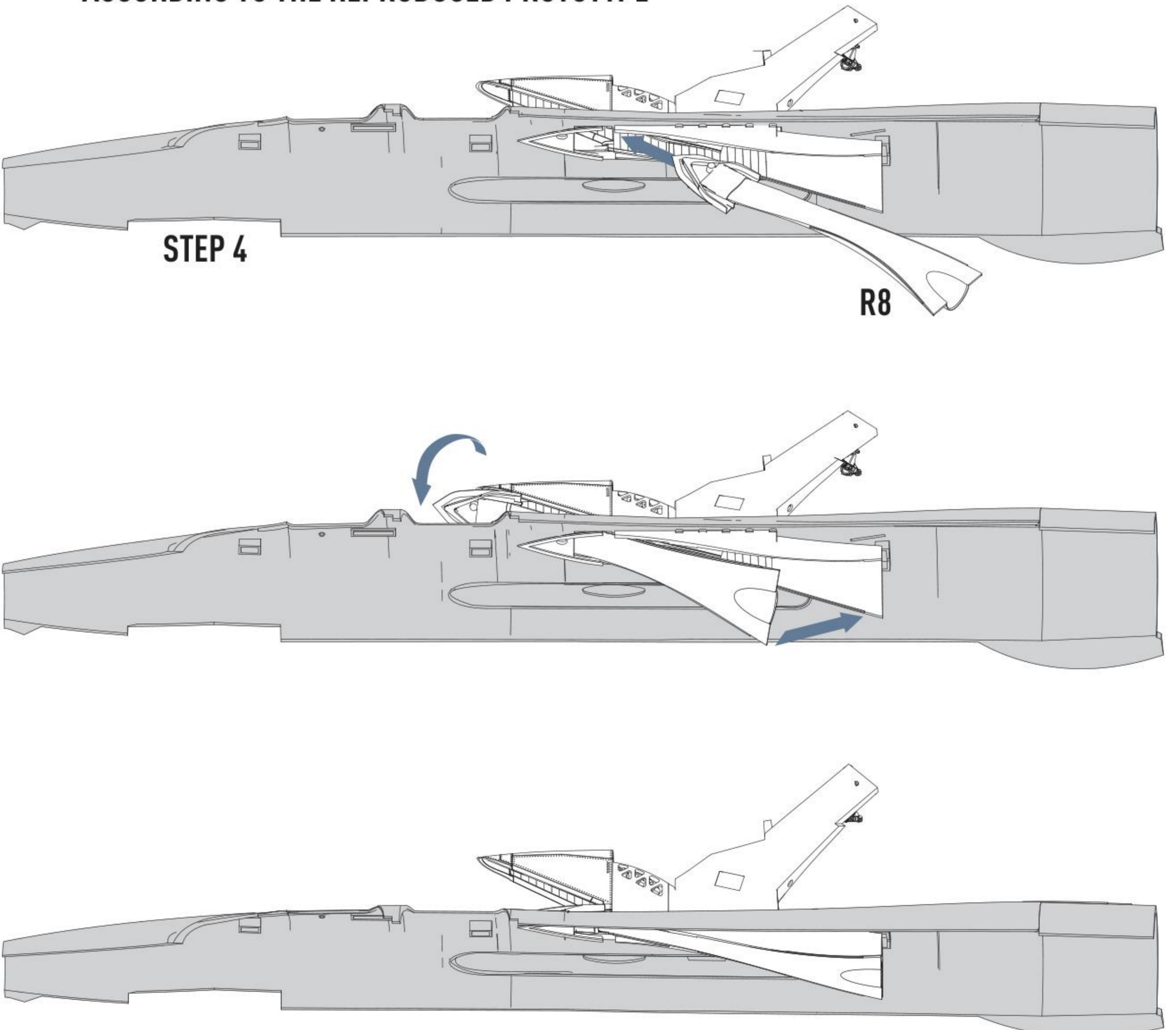


**5**

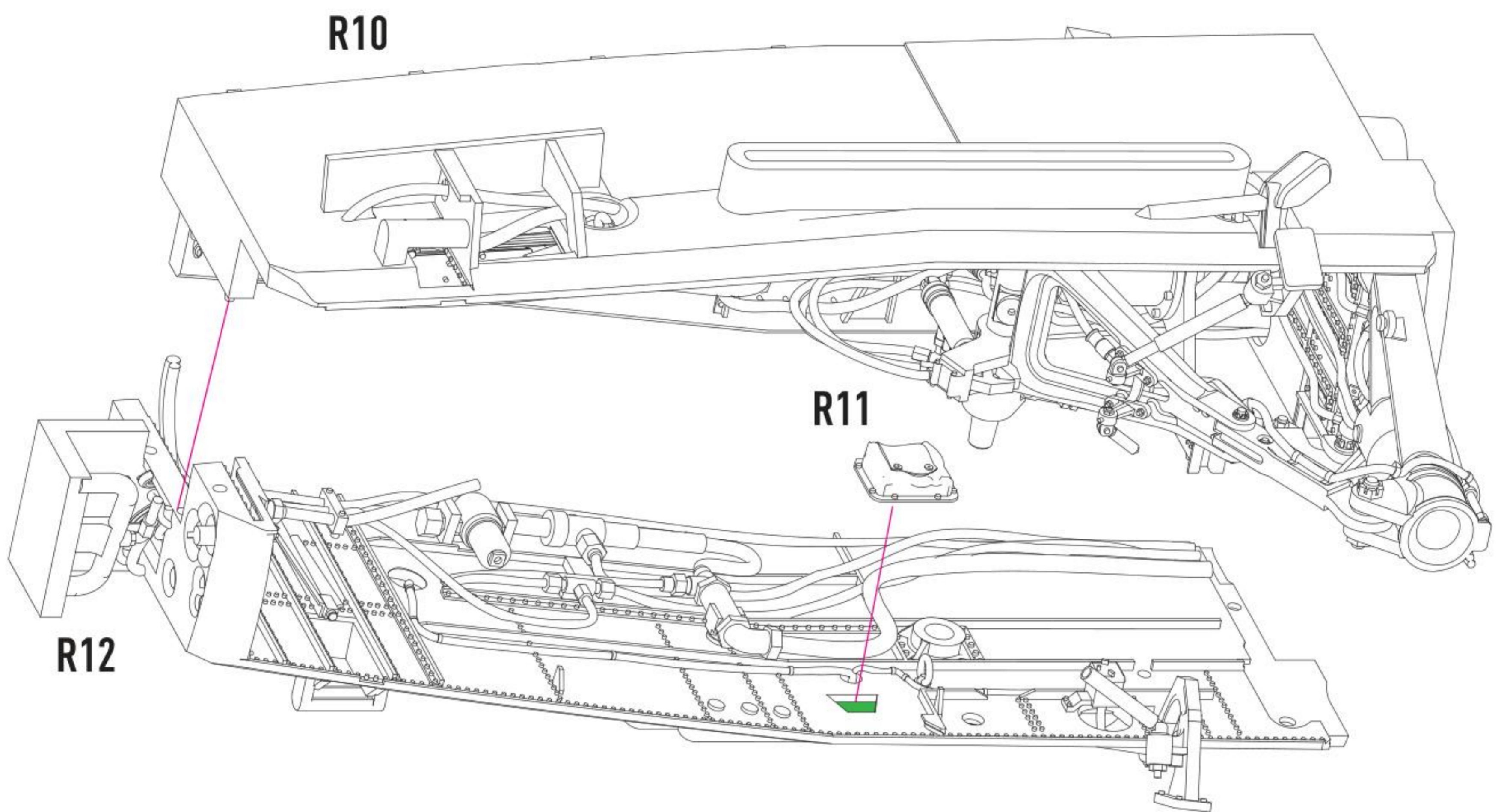


**6**

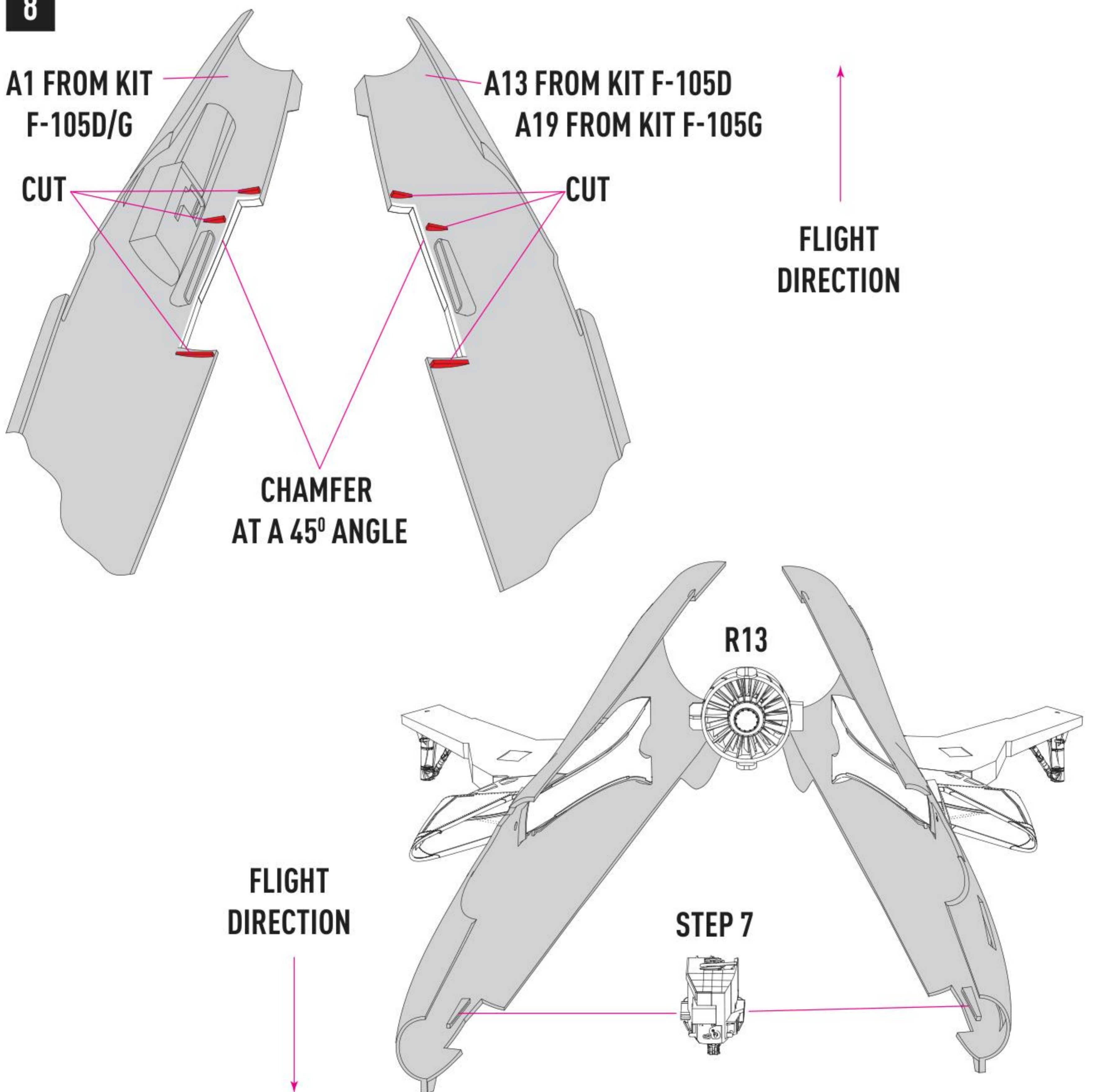
**BEFORE INSTALLATION, THE PART MUST BE PAINTED ACCORDING TO THE REPRODUCED PROTOTYPE**



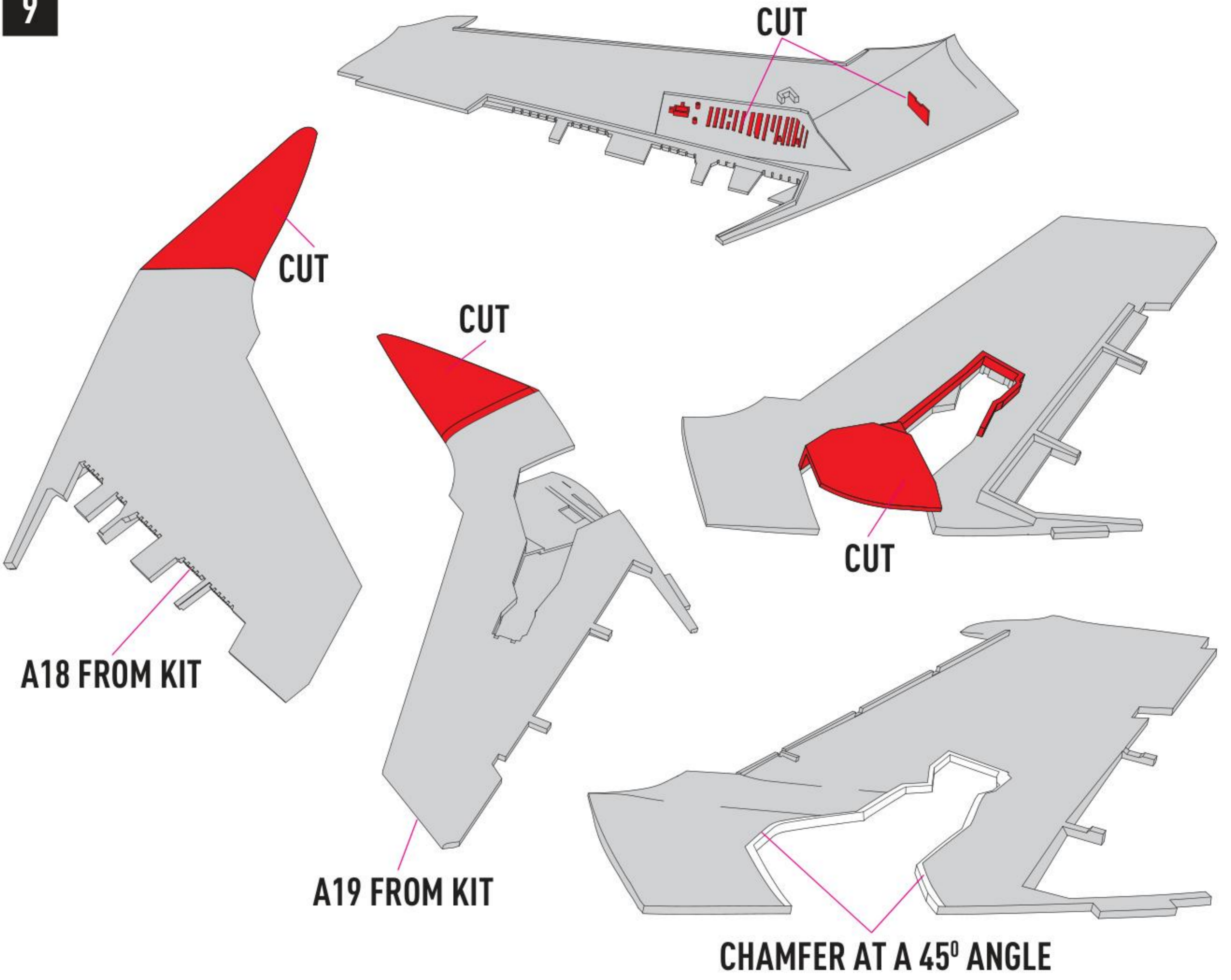
7



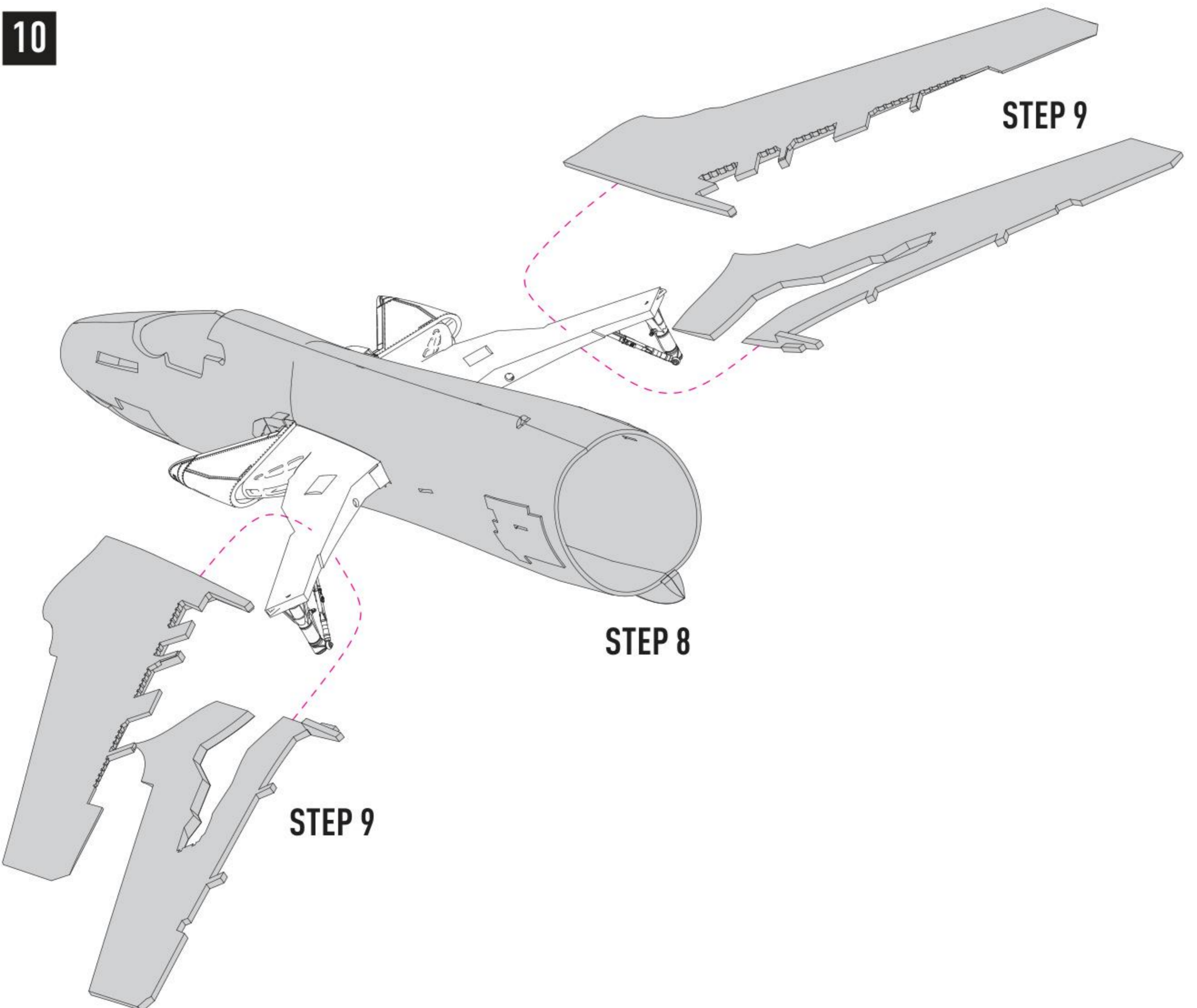
8



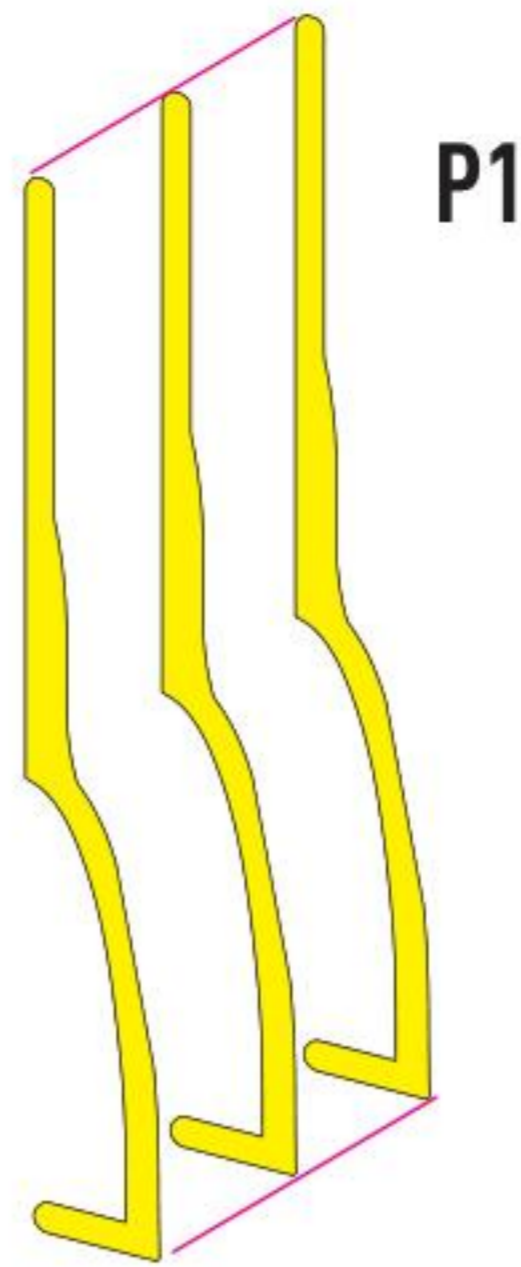
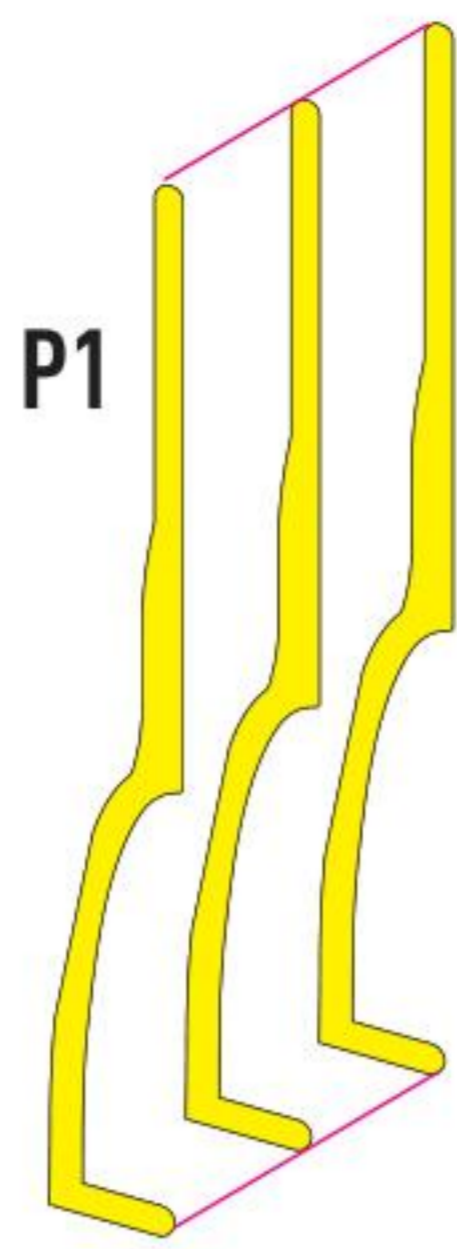
9



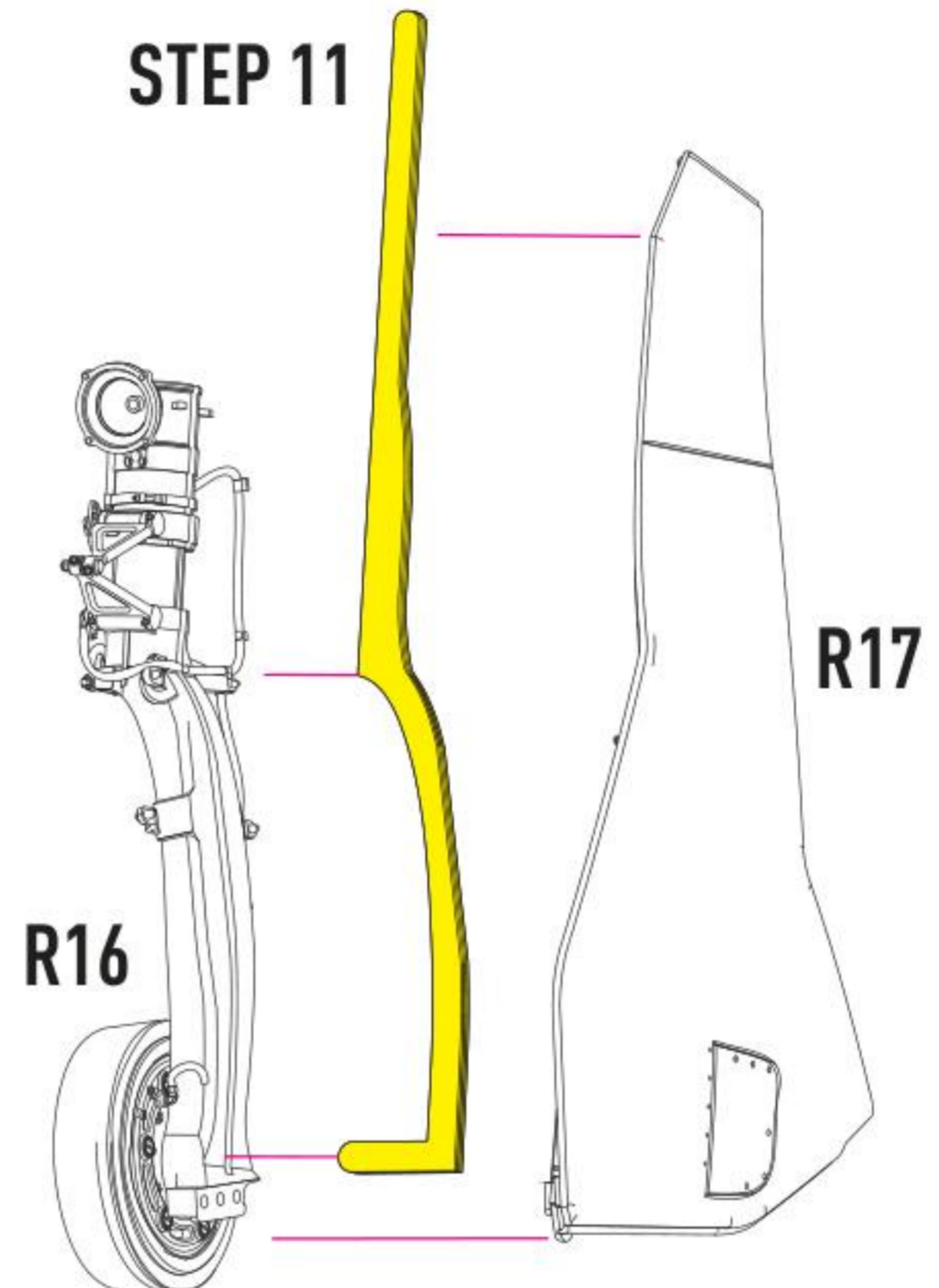
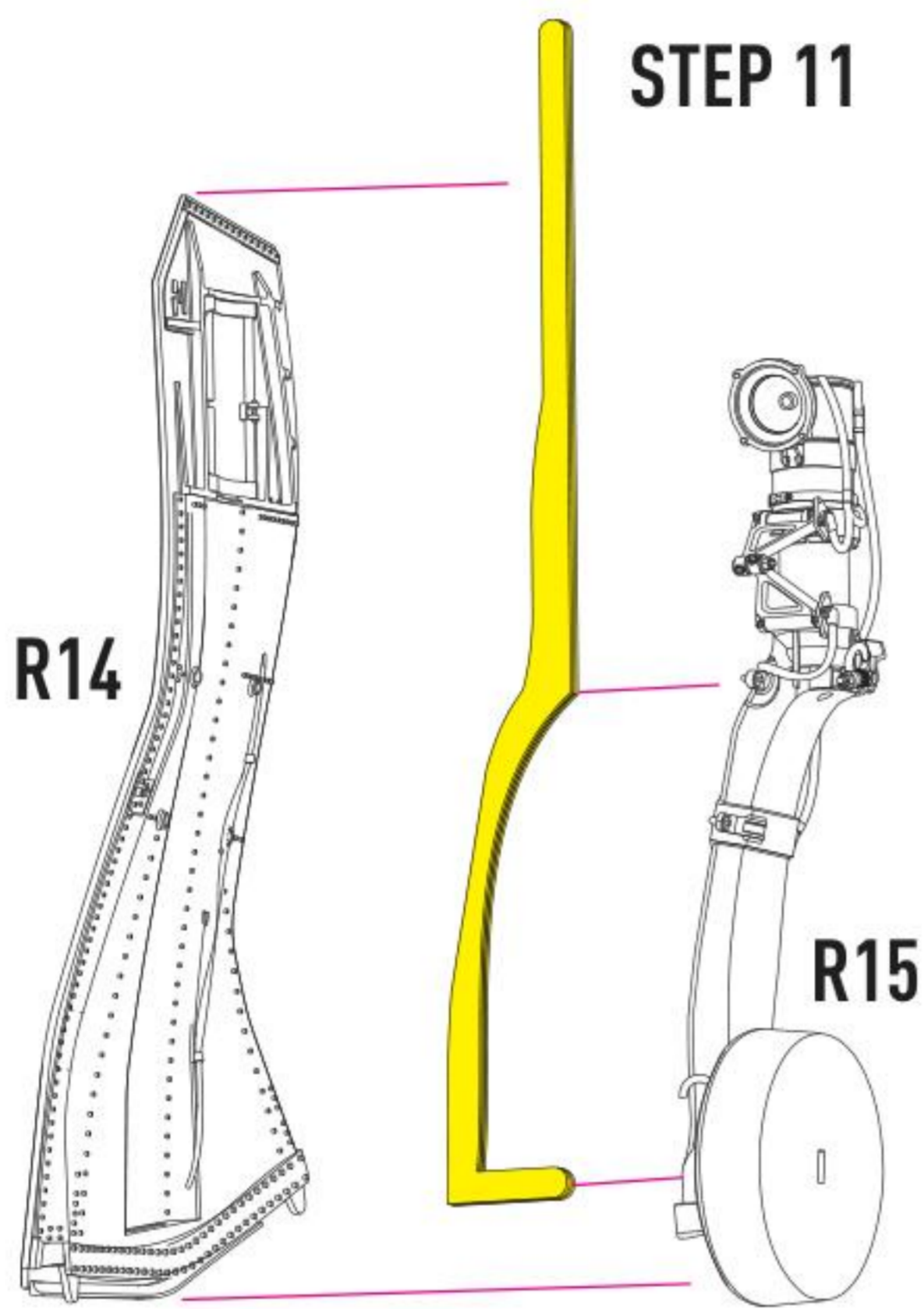
10



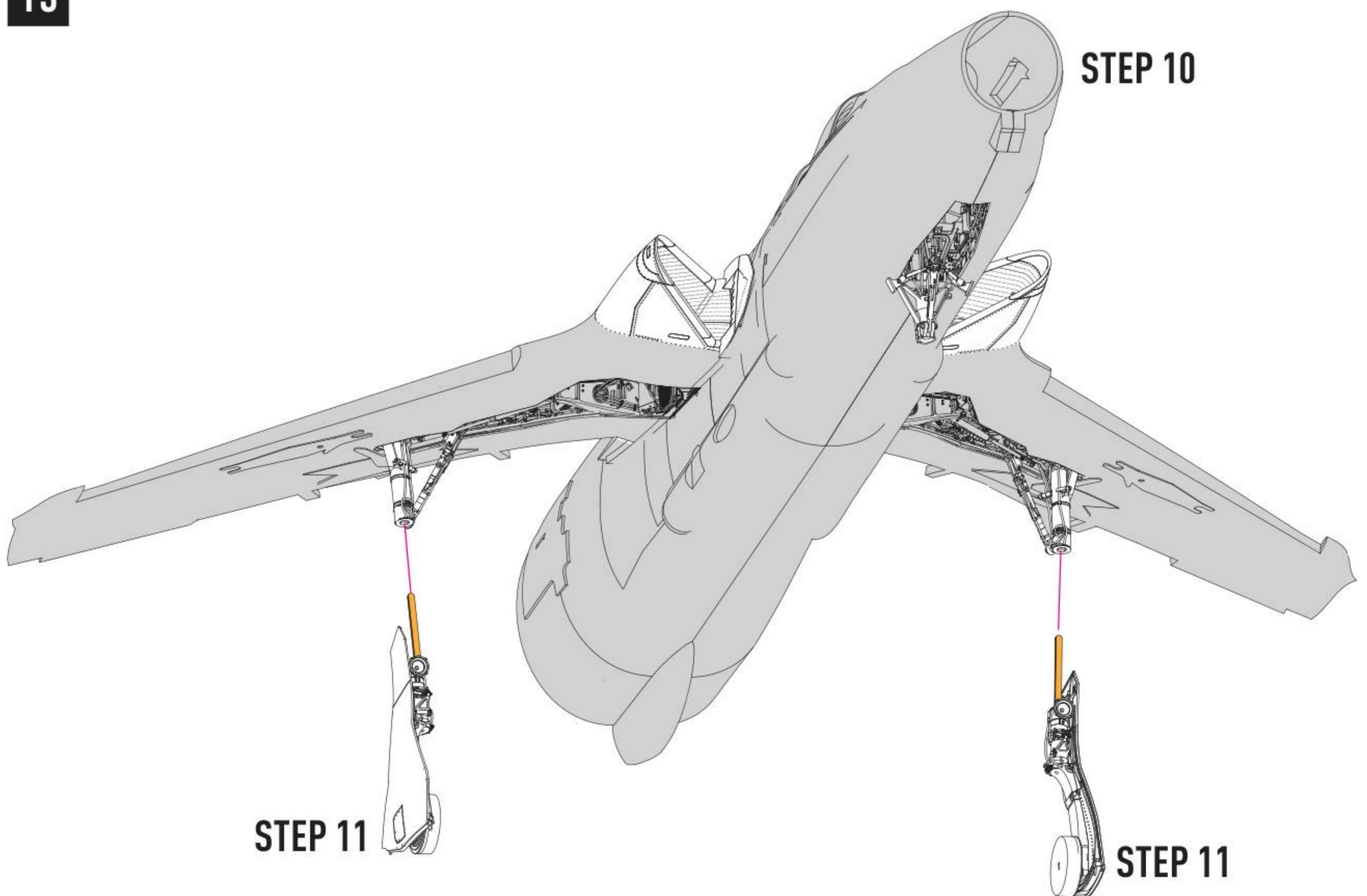
11



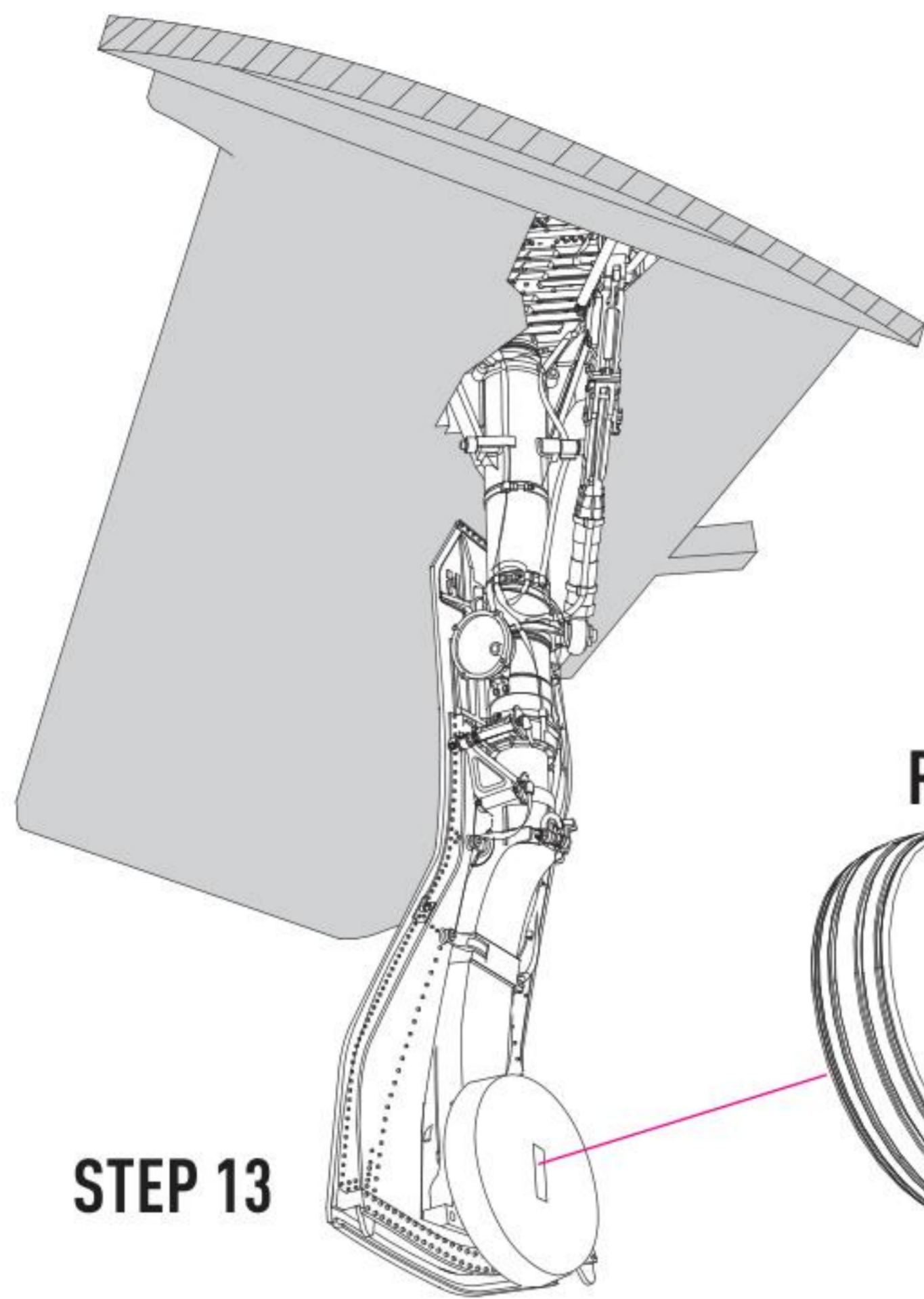
12



13



14



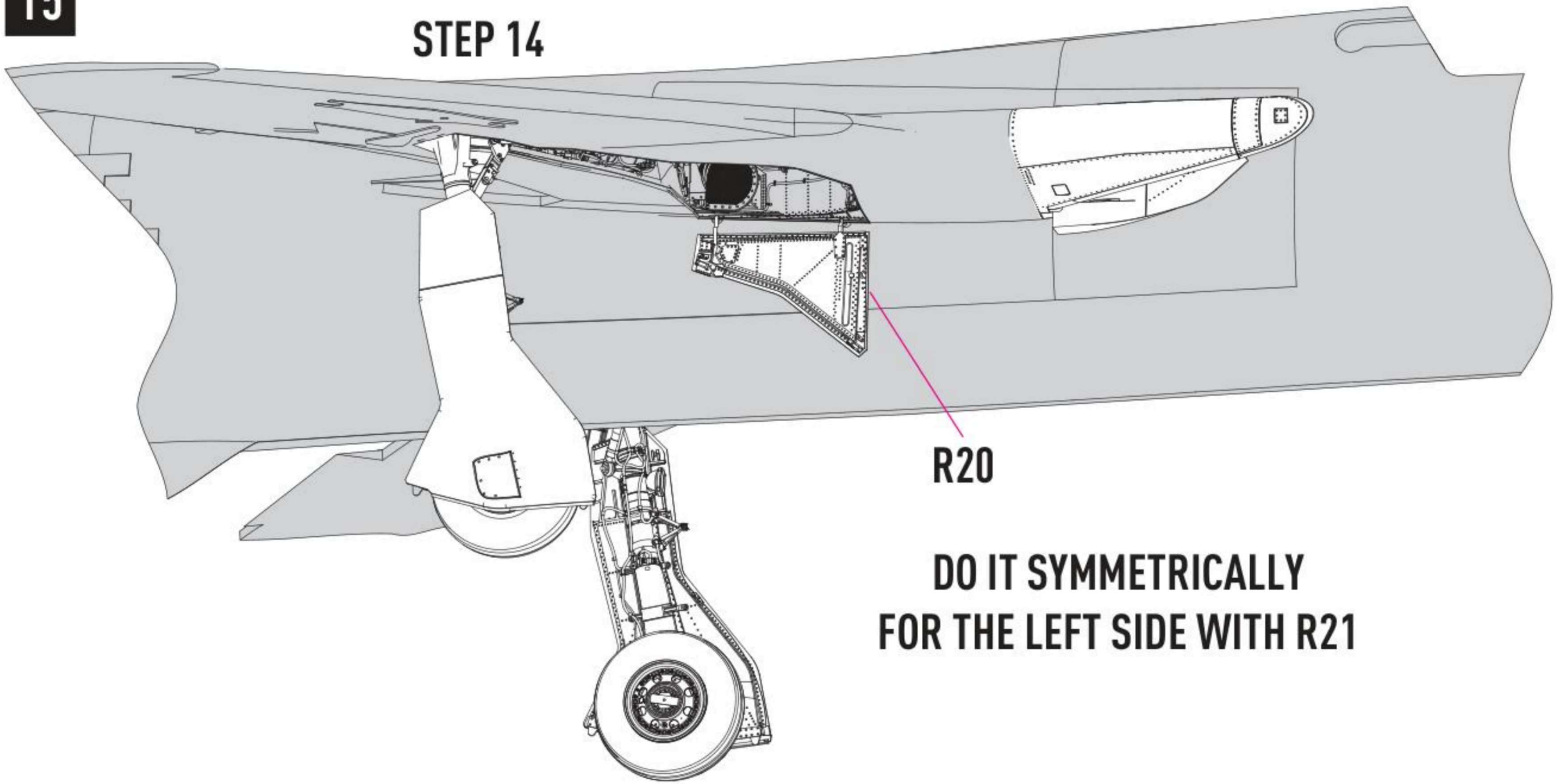
DO IT SYMMETRICALLY  
FOR THE LEFT SIDE WITH  
SECOND WHEEL

R18

R19

STEP 13

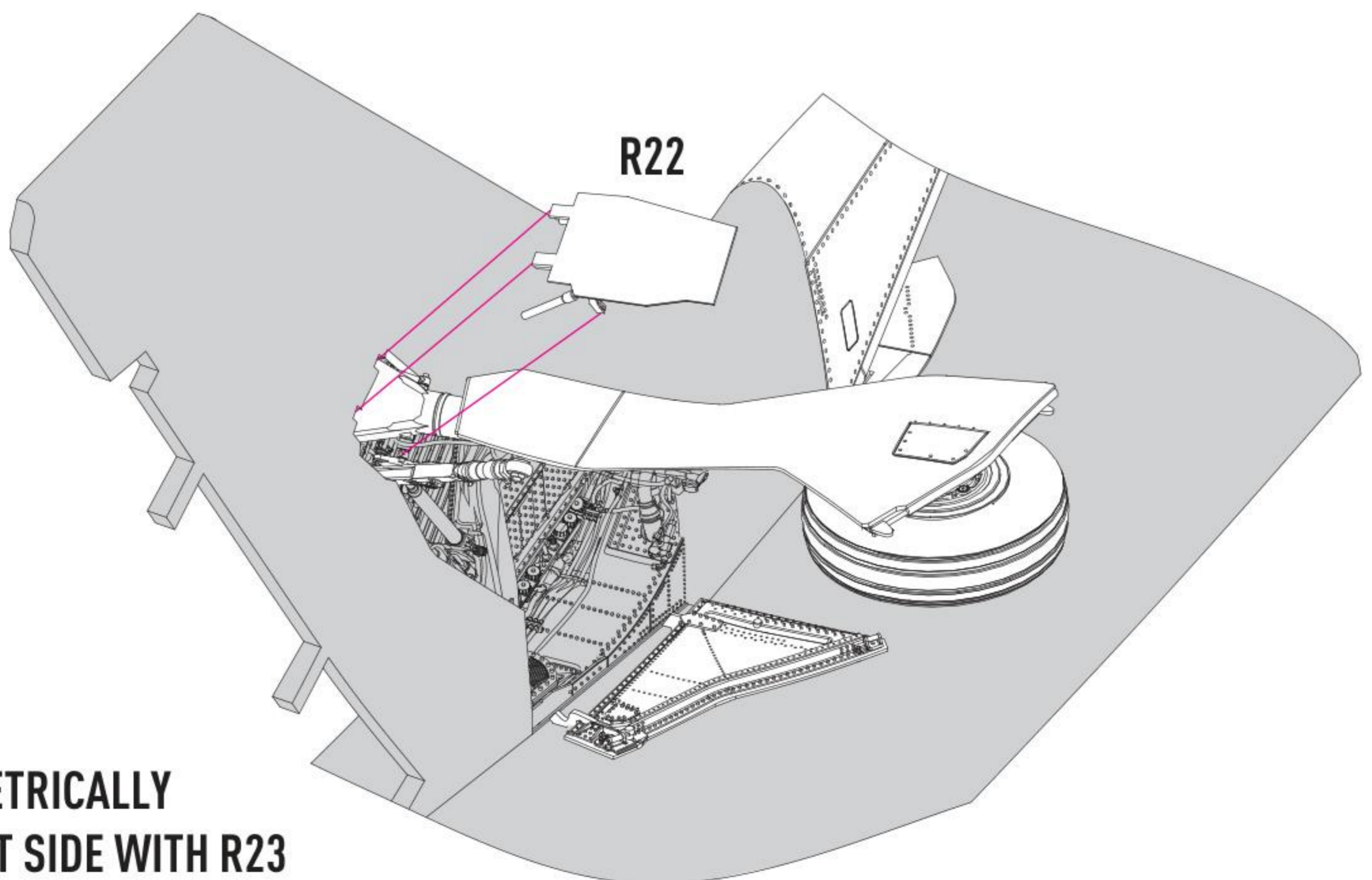
15



R20

DO IT SYMMETRICALLY  
FOR THE LEFT SIDE WITH R21

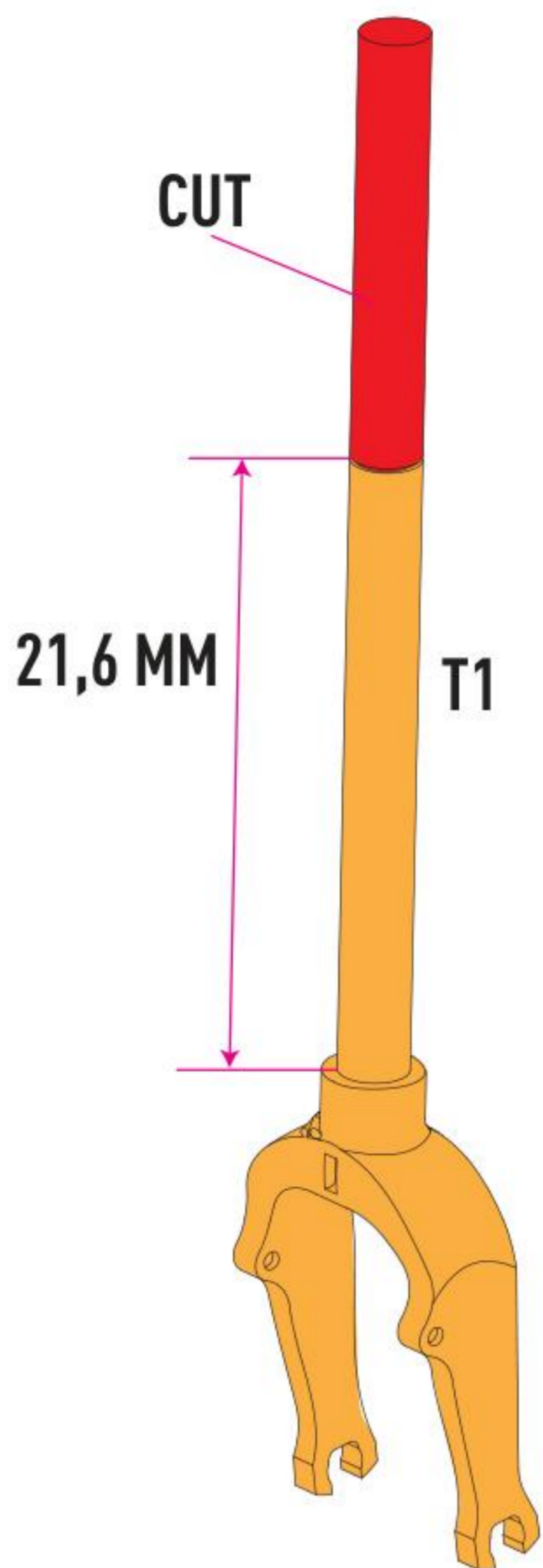
16



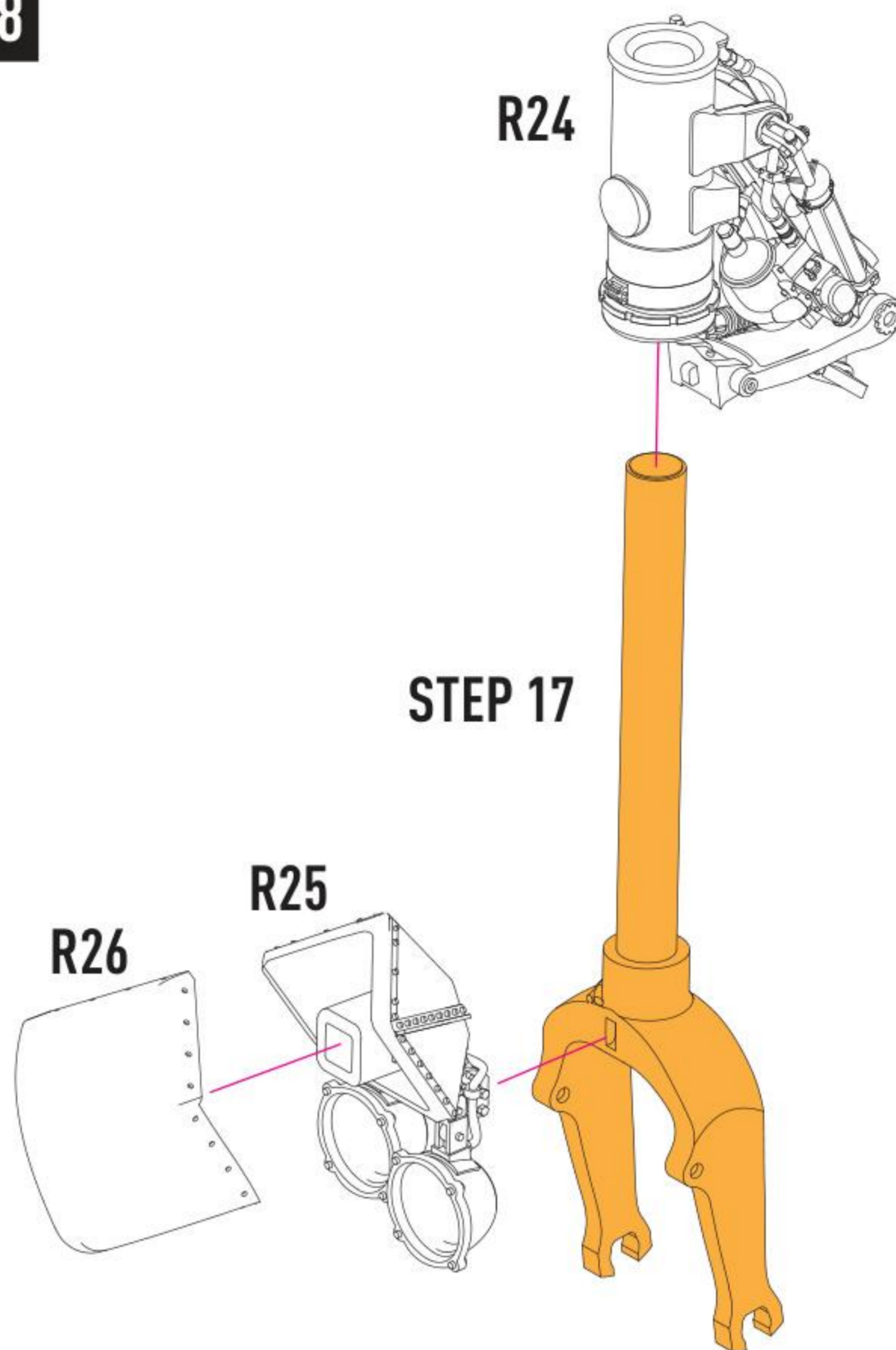
R22

DO IT SYMMETRICALLY  
FOR THE LEFT SIDE WITH R23

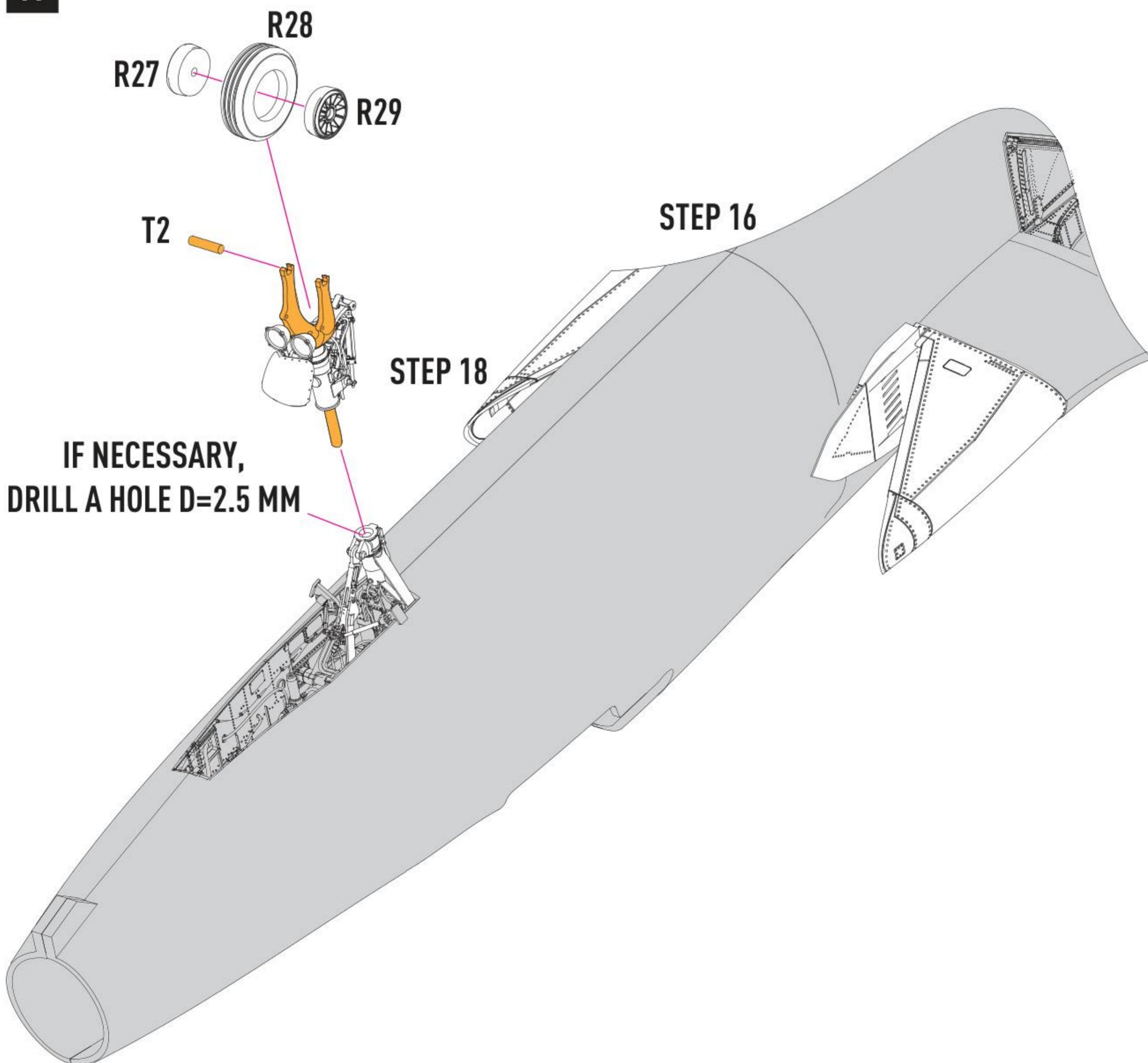
17



18

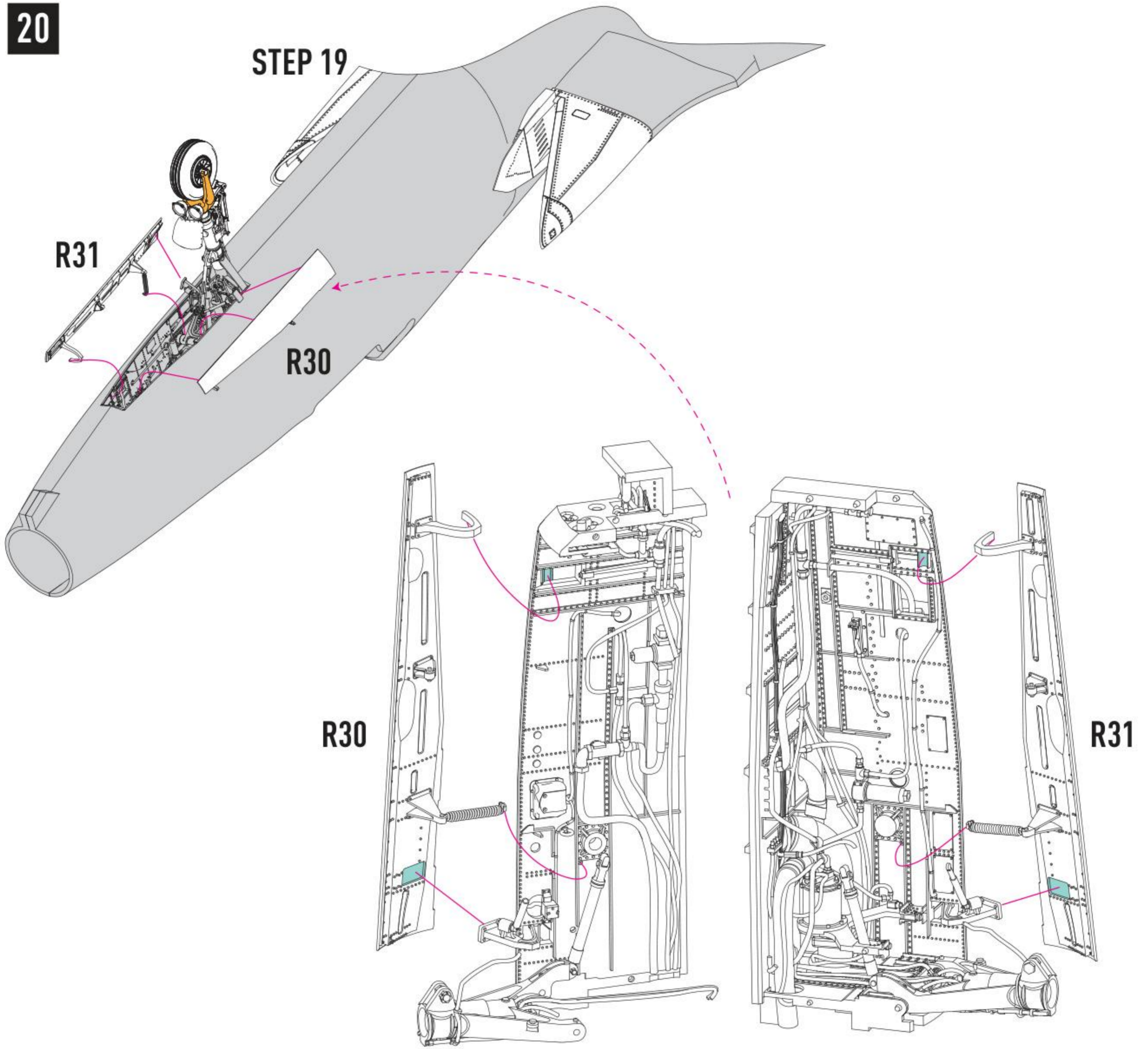


19



20

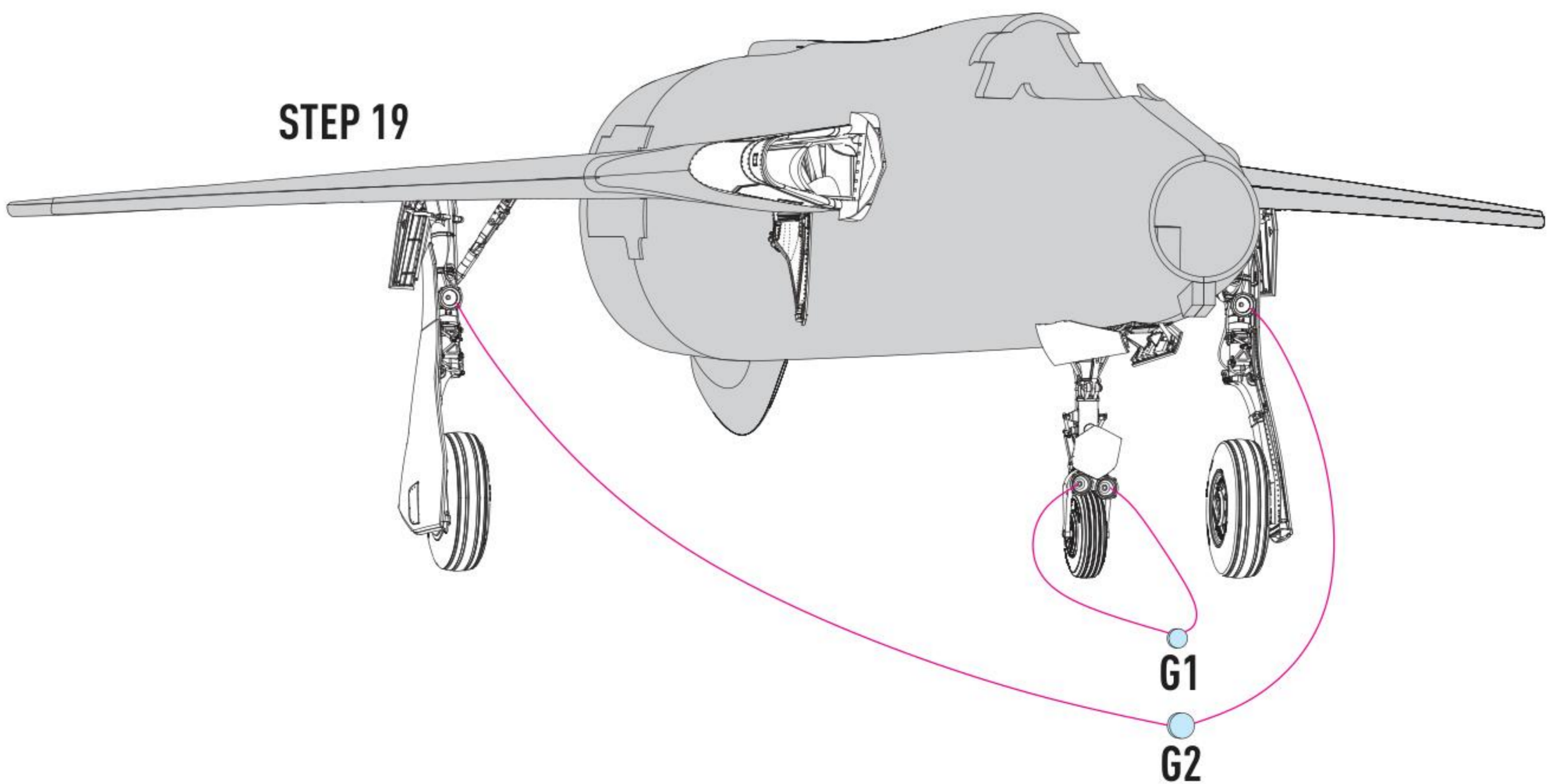
STEP 19



21

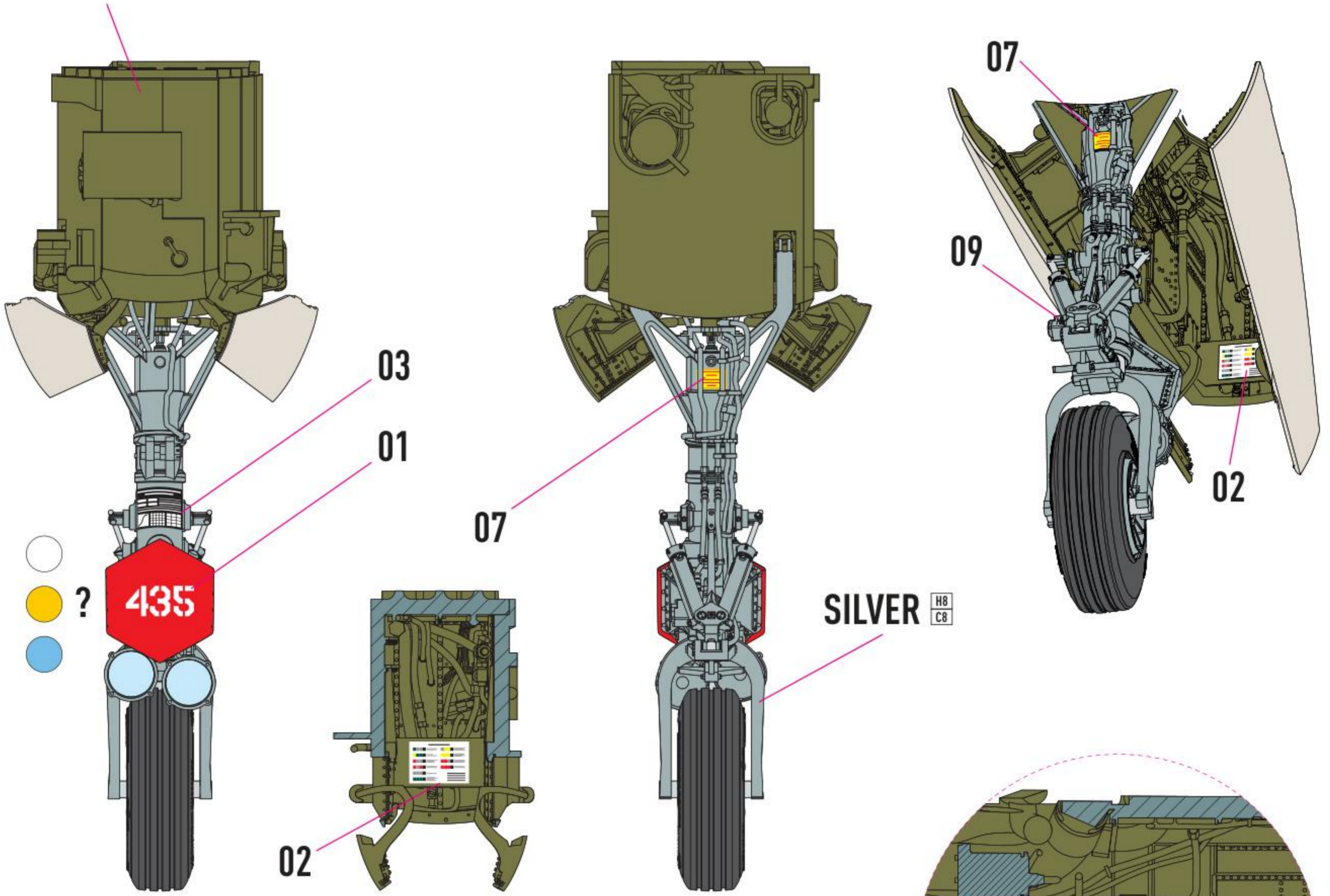
**BEFORE INSTALLING THE PART G1 AND G2  
TREAT WITH A CLEAR GLOSSY VARNISH**

STEP 19

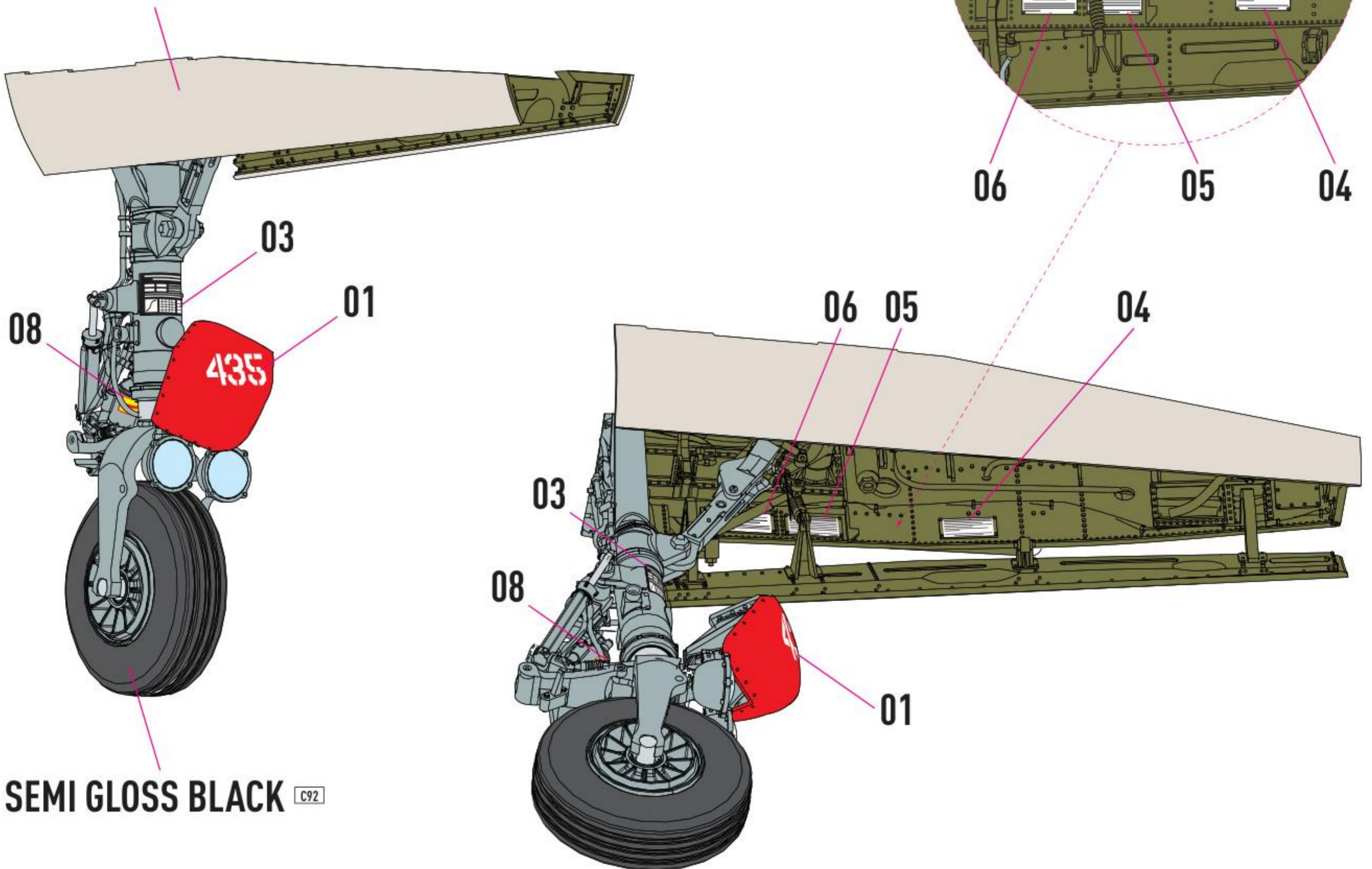


# DECAL INSTRUCTION

**OLIVE DRAB** H52  
C12



**CAMOUFLAGE COLOR**



**SEMI GLOSS BLACK** C92

COLORS	GUNZE / AQEOUS	GUNZE / MR.COLOR
<b>SILVER</b>	H8	C8
<b>OLIVE DRAB</b>	H52	C12

COLORS	GUNZE / AQEOUS	GUNZE / MR.COLOR
<b>CAMOUFLAGE COLOR</b>		
<b>SEMI GLOSS BLACK</b>		C12

general Issues: [info@reskit.com.ua](mailto:info@reskit.com.ua) / claim resolution: [claims@reskit.com.ua](mailto:claims@reskit.com.ua)

**RESKIT-MODELS.COM**

[fb.com/reskit.official](https://fb.com/reskit.official)

[instagram.com/reskit\\_official](https://instagram.com/reskit_official)

[youtube.com/@reskit-usmd](https://youtube.com/@reskit-usmd)