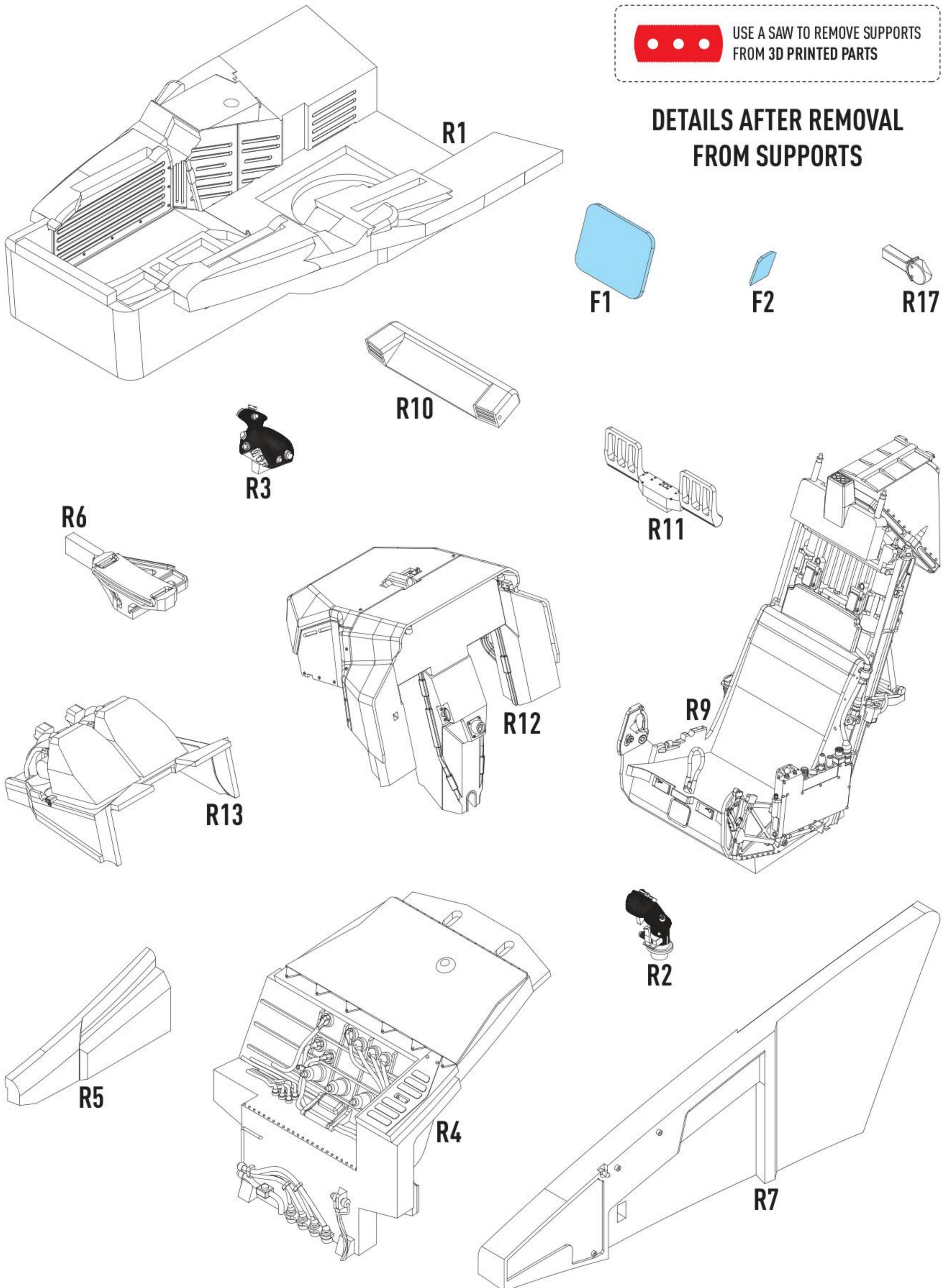


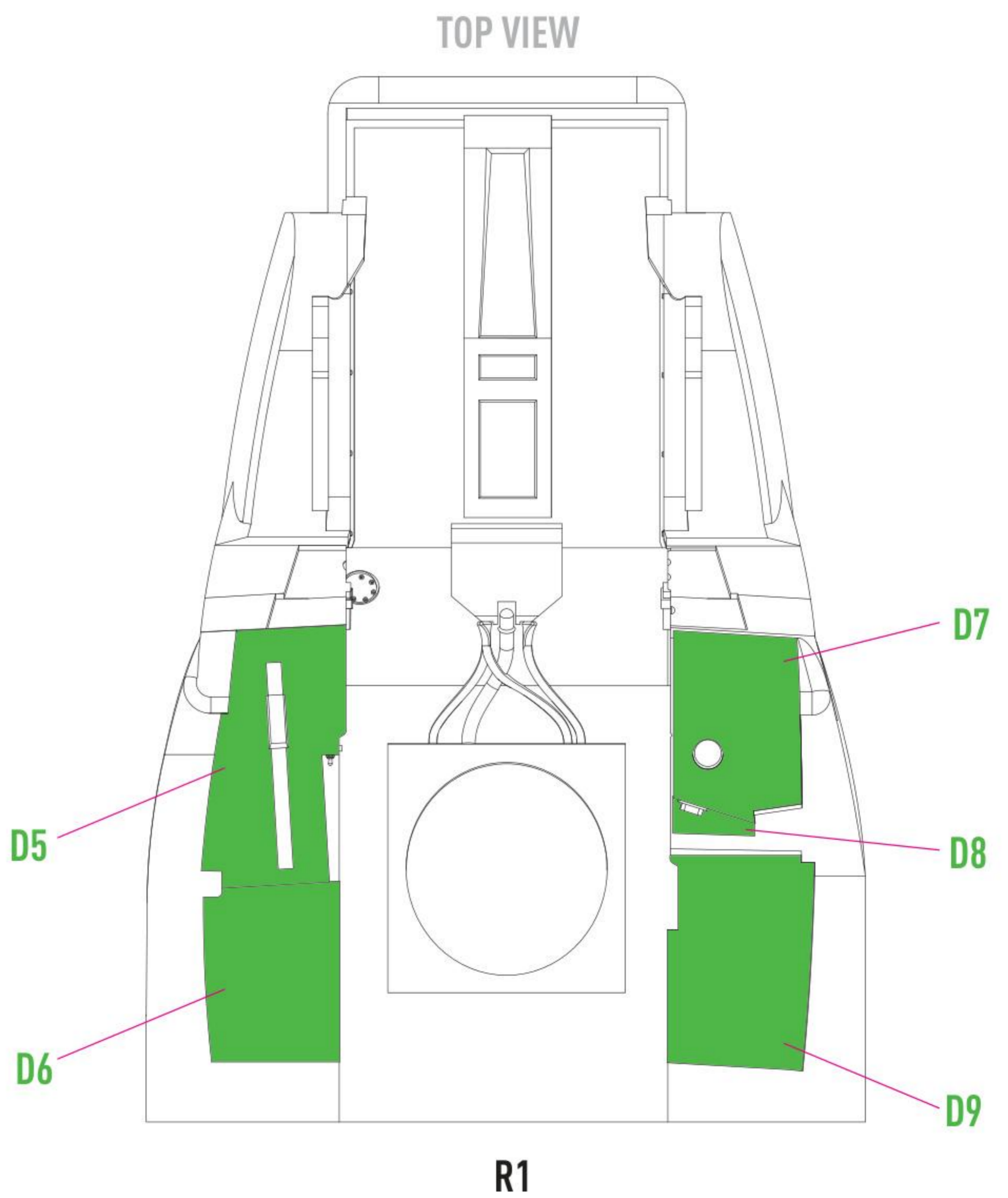
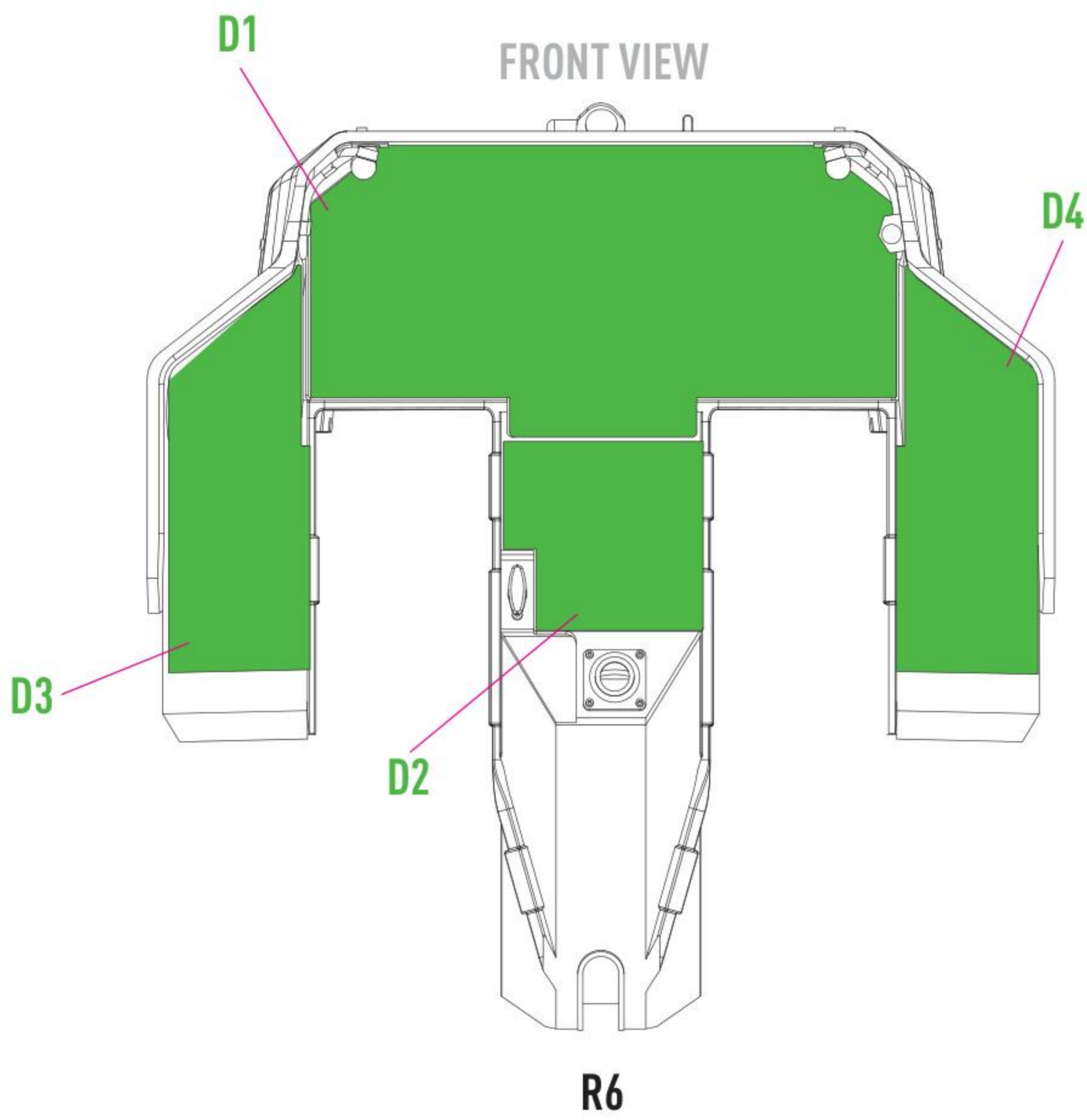


USE A SAW TO REMOVE SUPPORTS
FROM 3D PRINTED PARTS

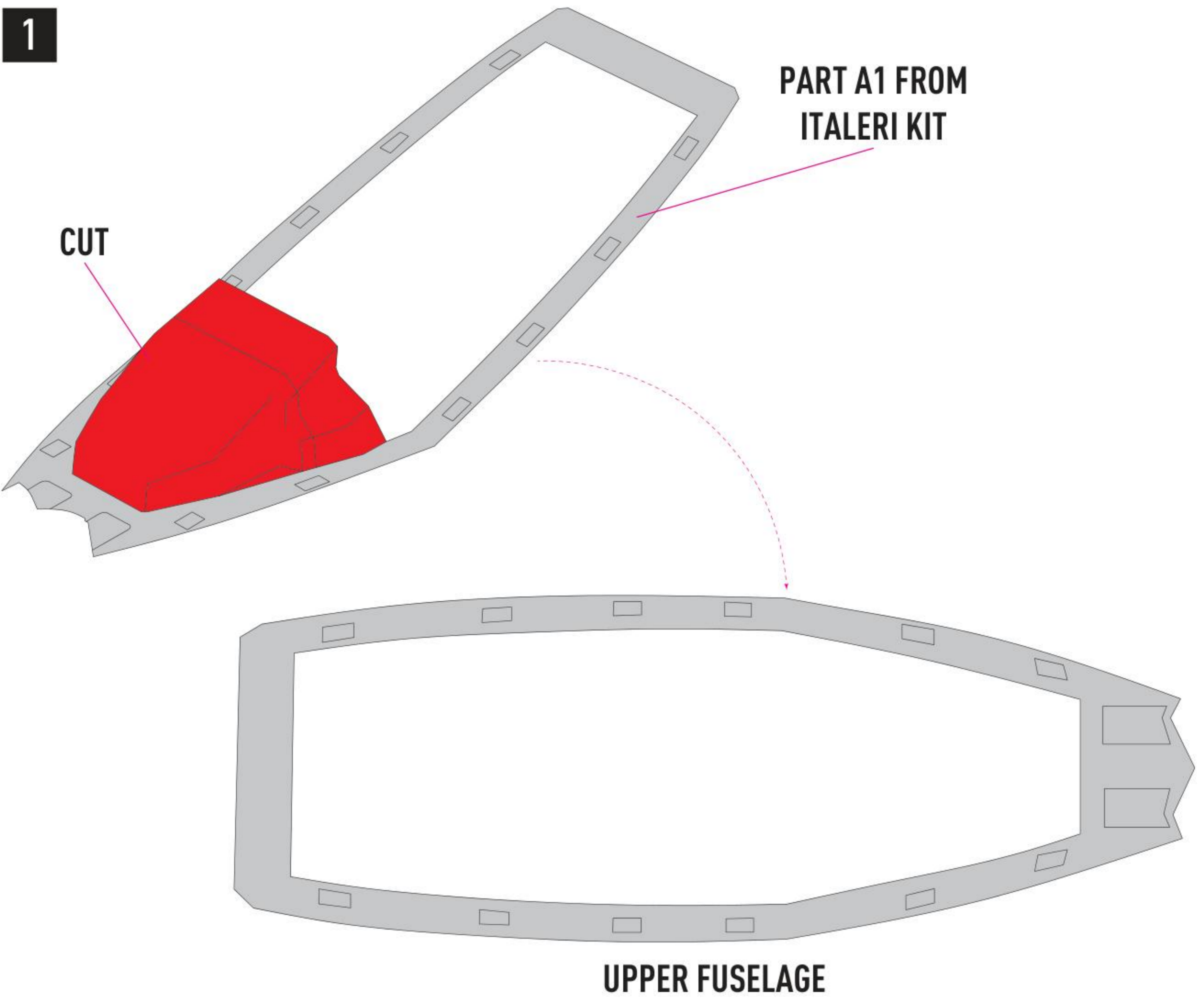
**DETAILS AFTER REMOVAL
FROM SUPPORTS**



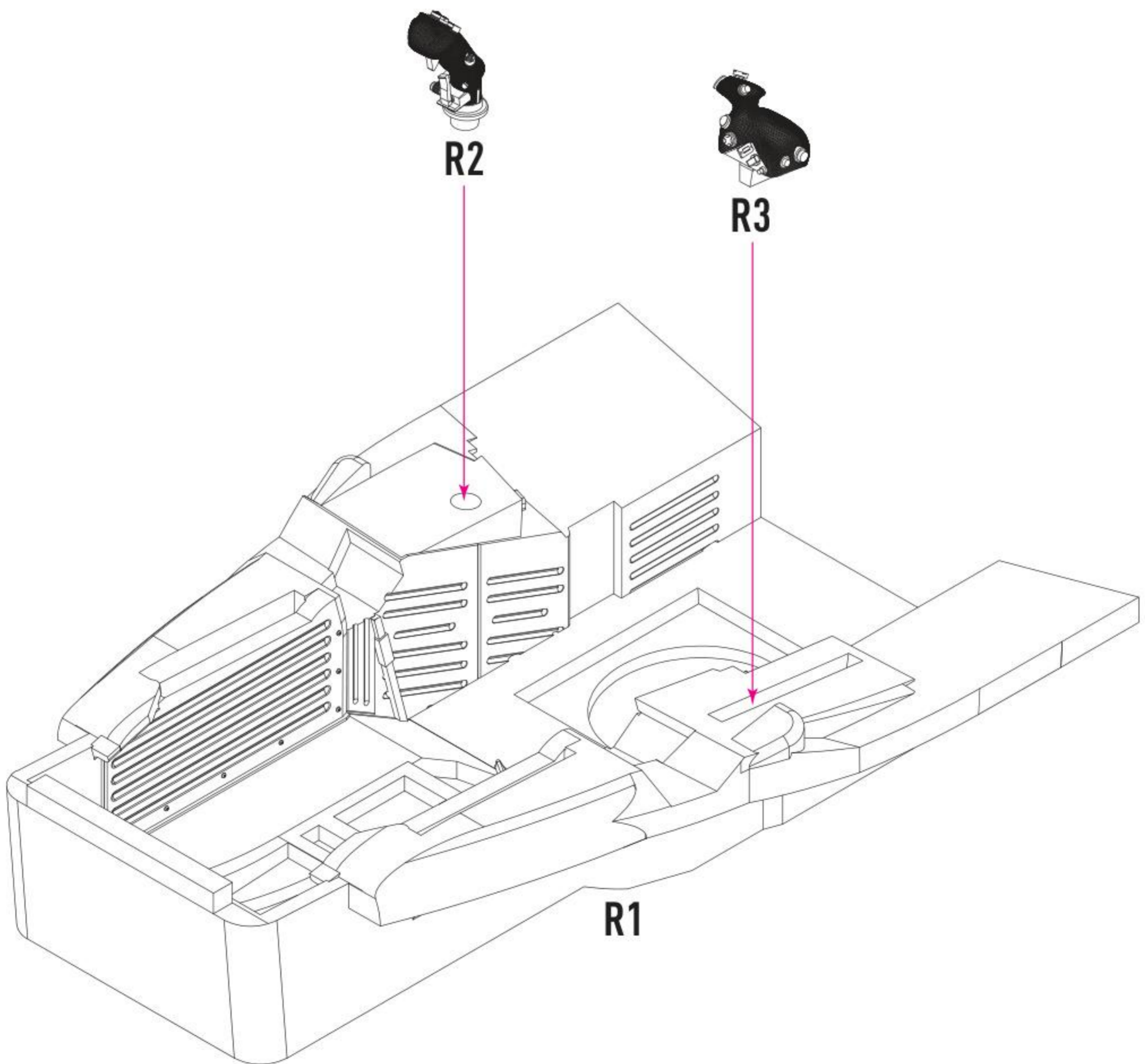
3D-DECAL INSTRUCTION



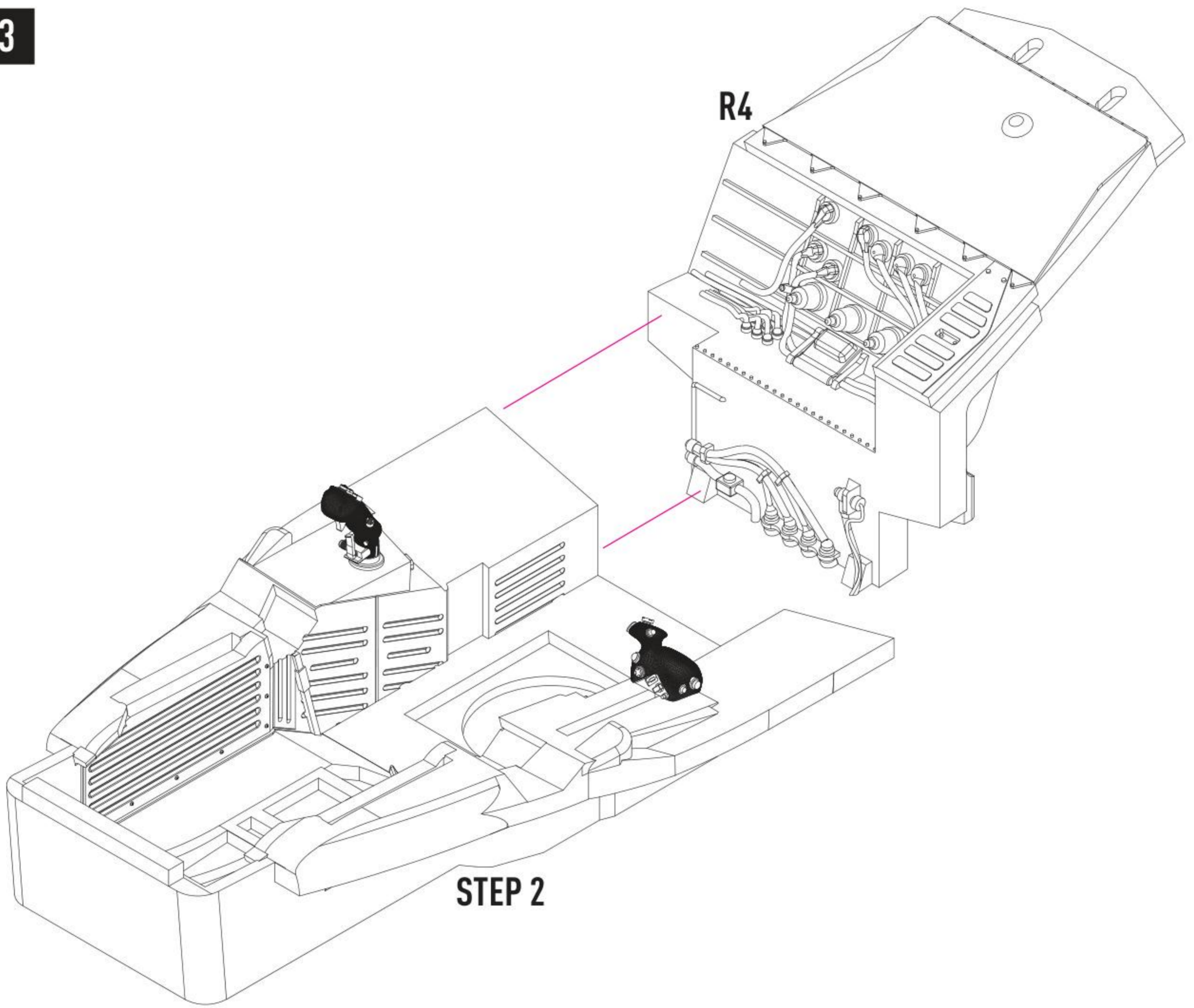
1



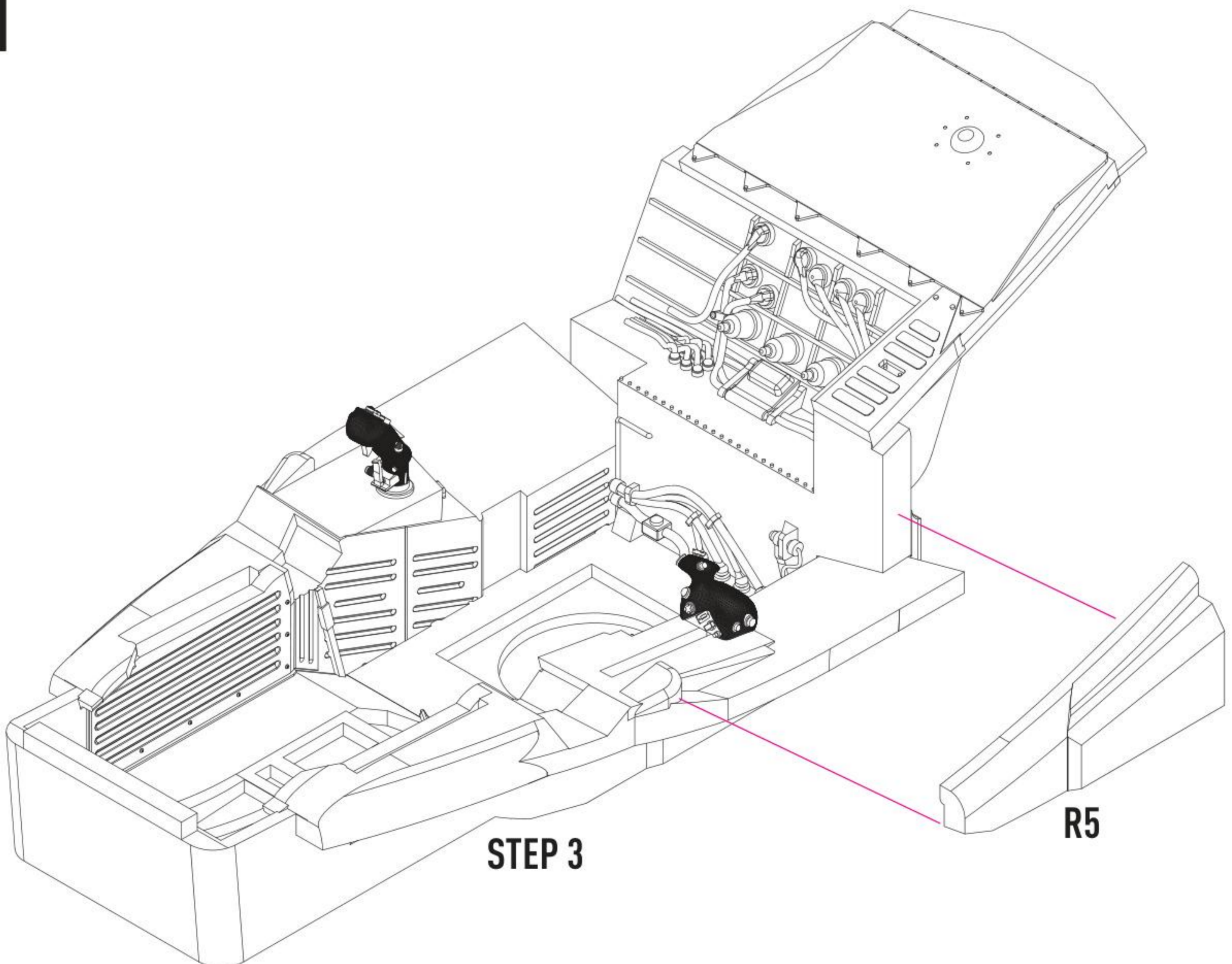
2



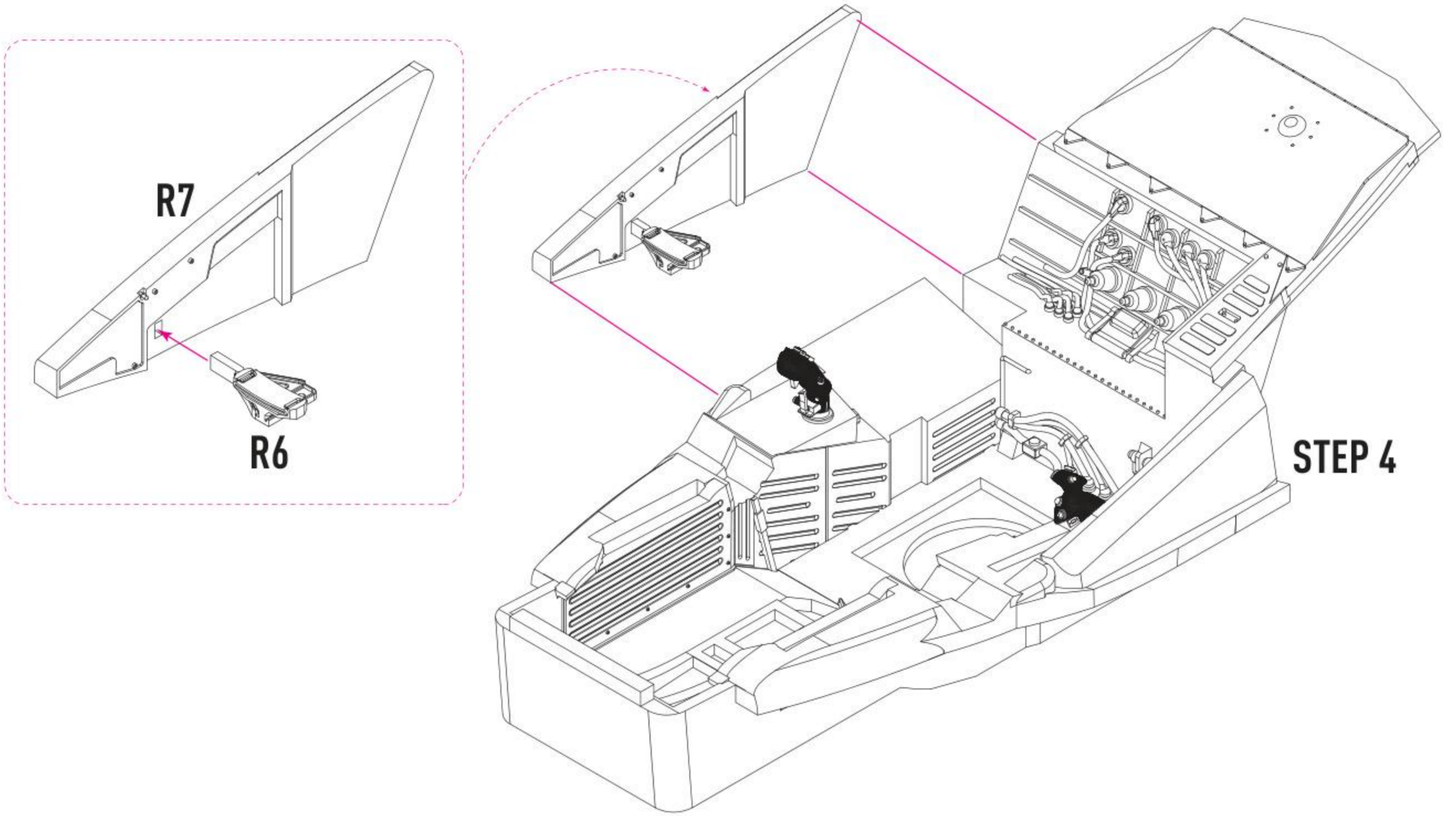
3



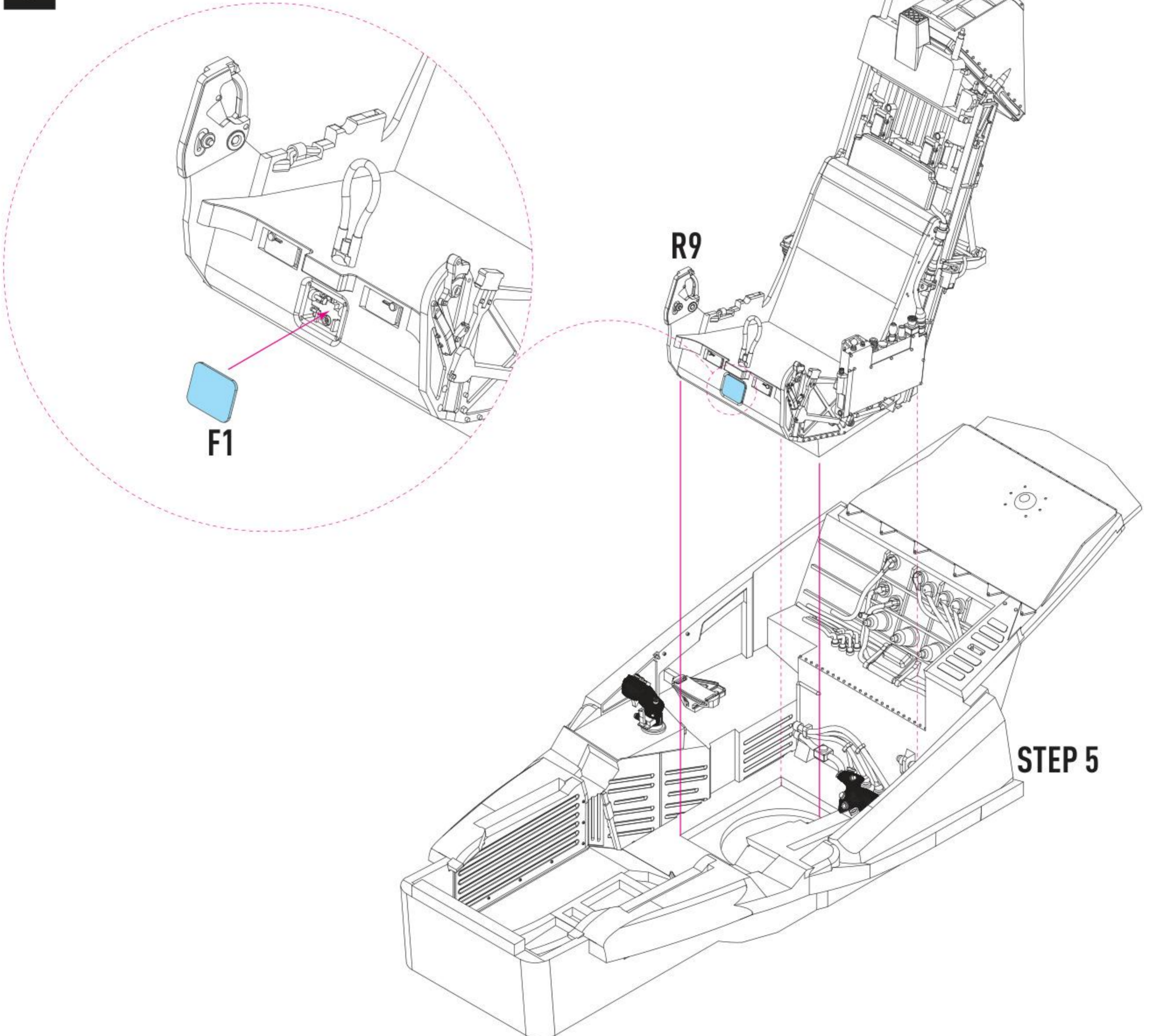
4



5

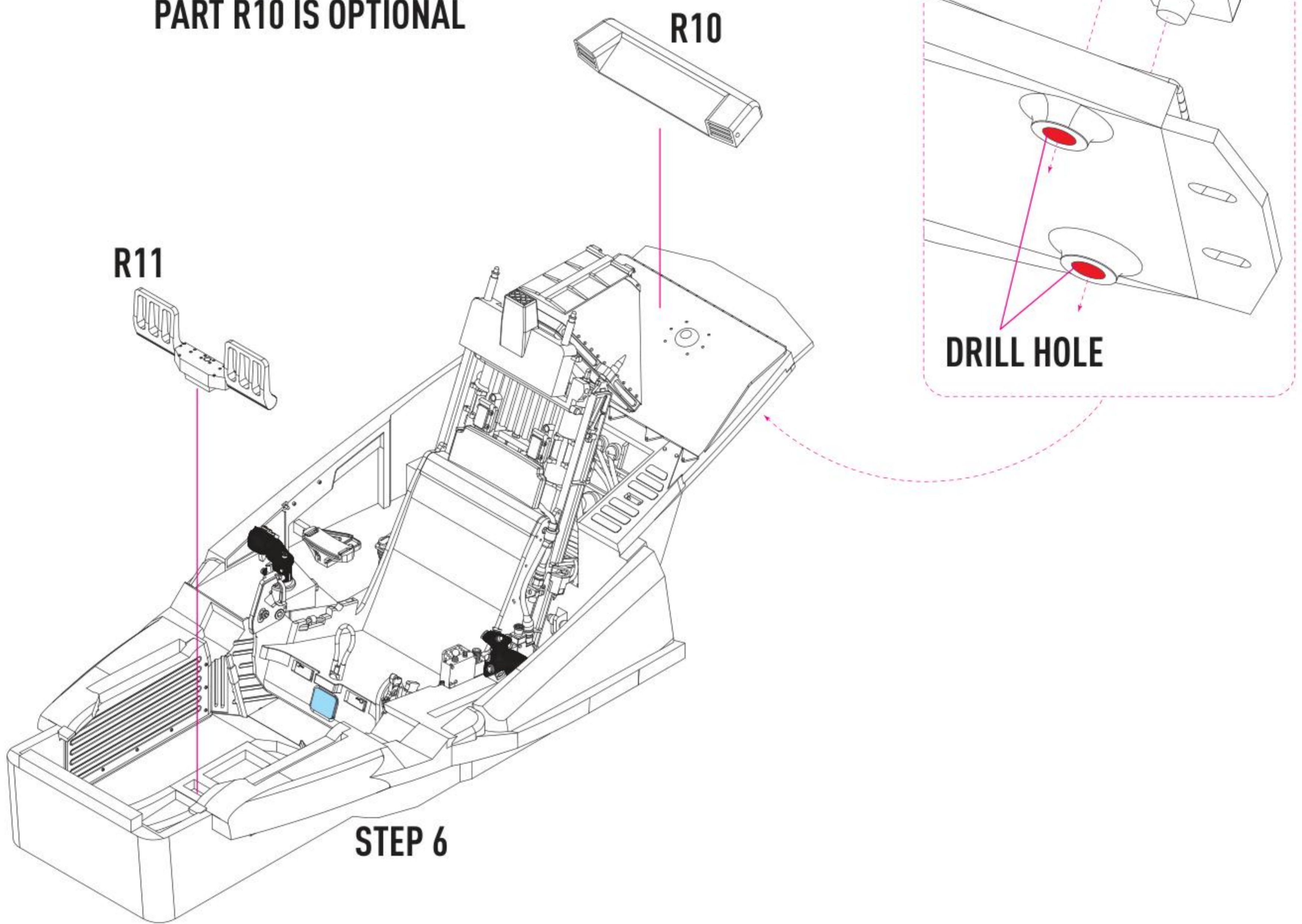


6

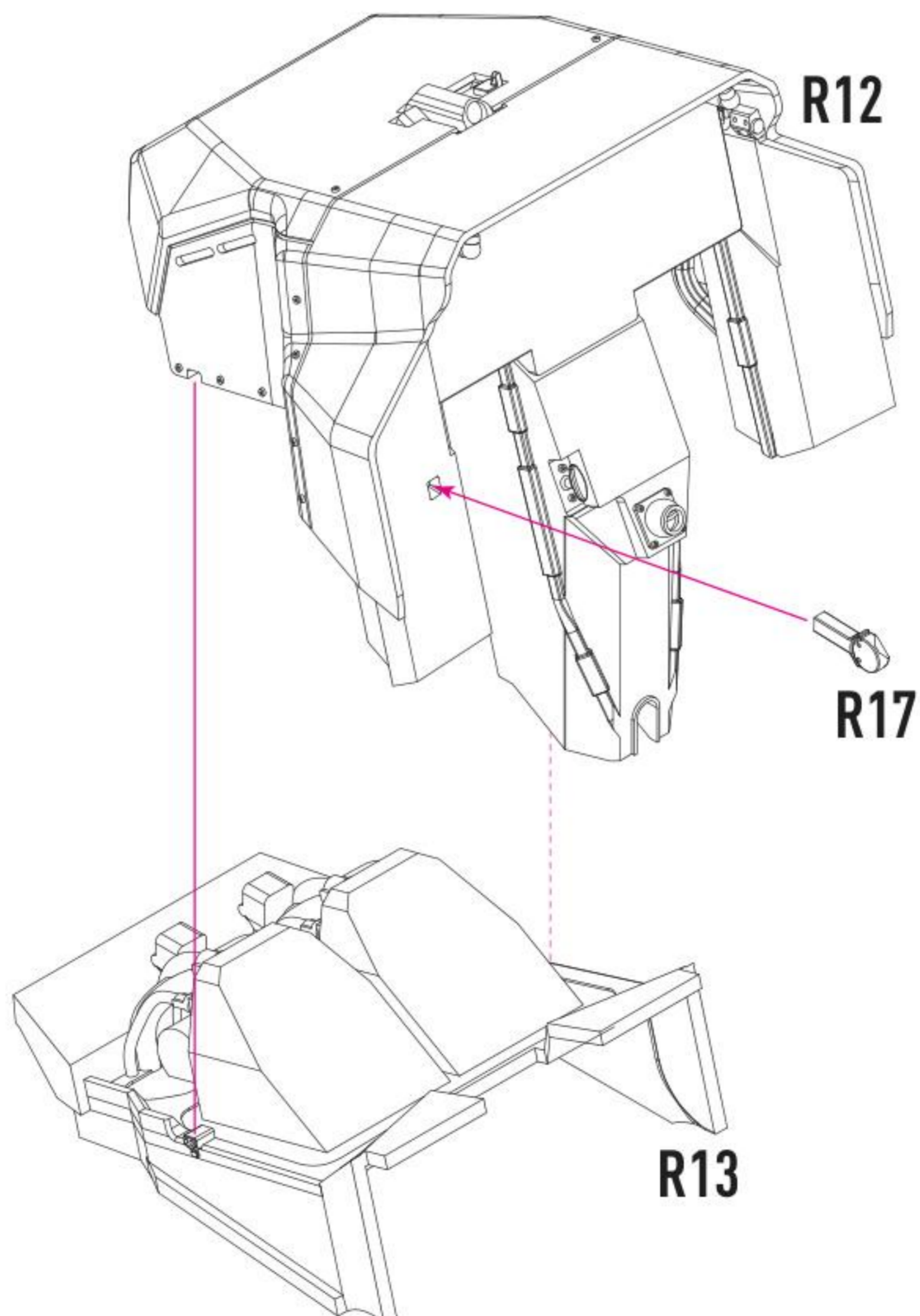


7

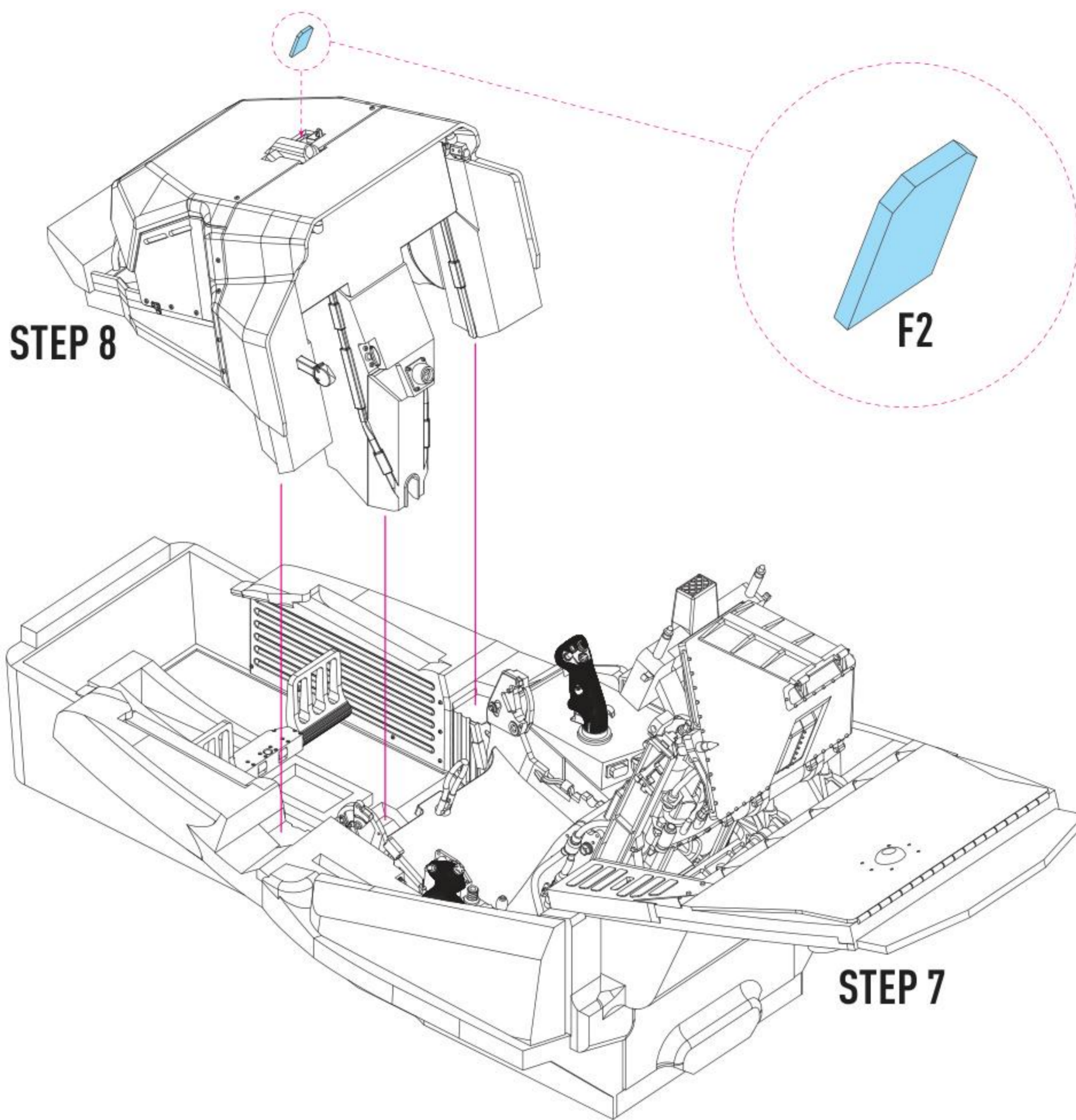
PART R10 IS OPTIONAL



8



9



10 IN ITALERI KIT INSTRUCTION ON STEP 1, 2, 3 REPLACE ALL USED PARTS WITH STEP 9

