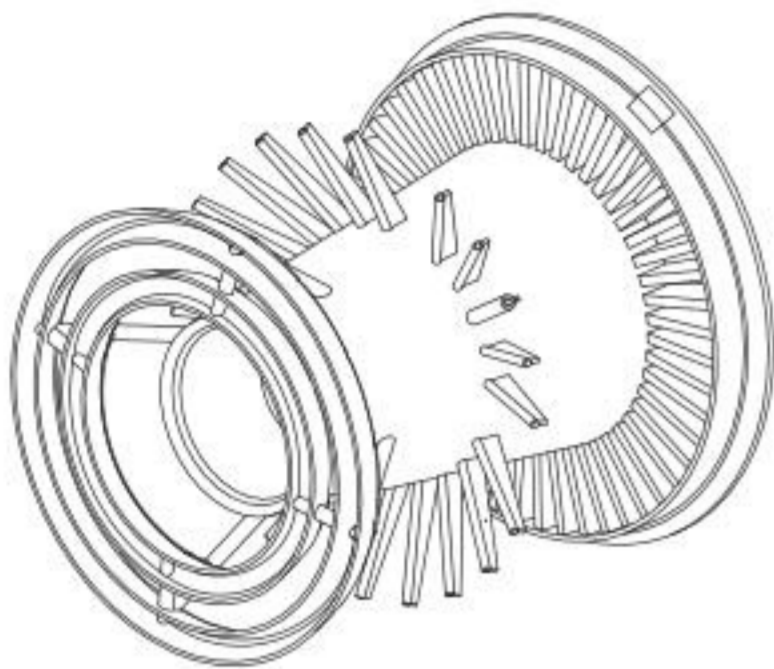
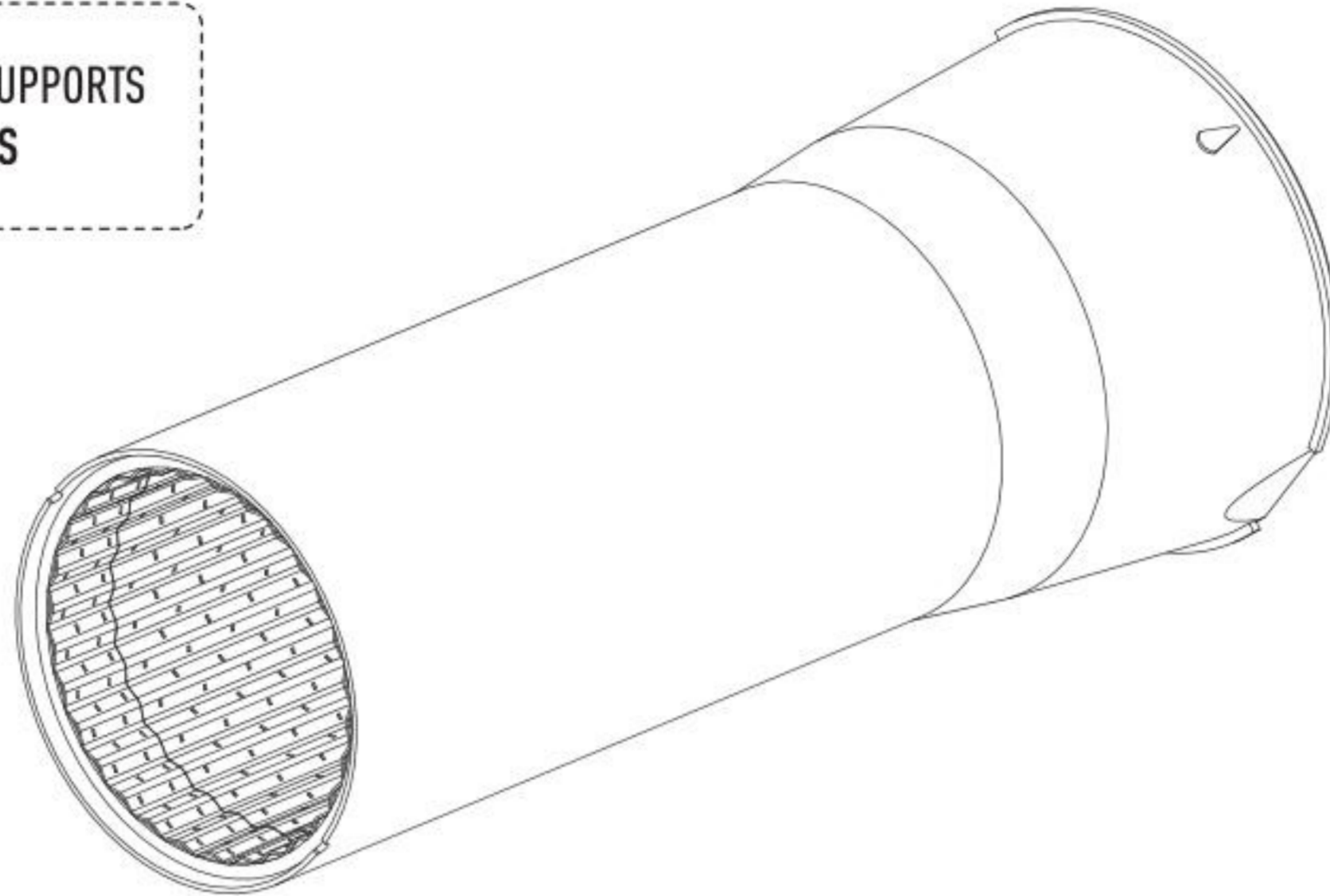




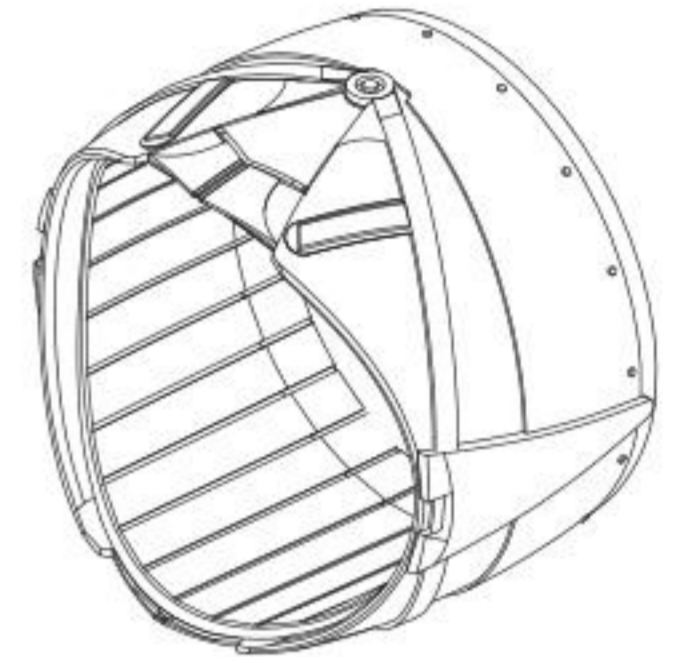
USE A SAW TO REMOVE SUPPORTS  
 FROM 3D PRINTED PARTS



**R1**

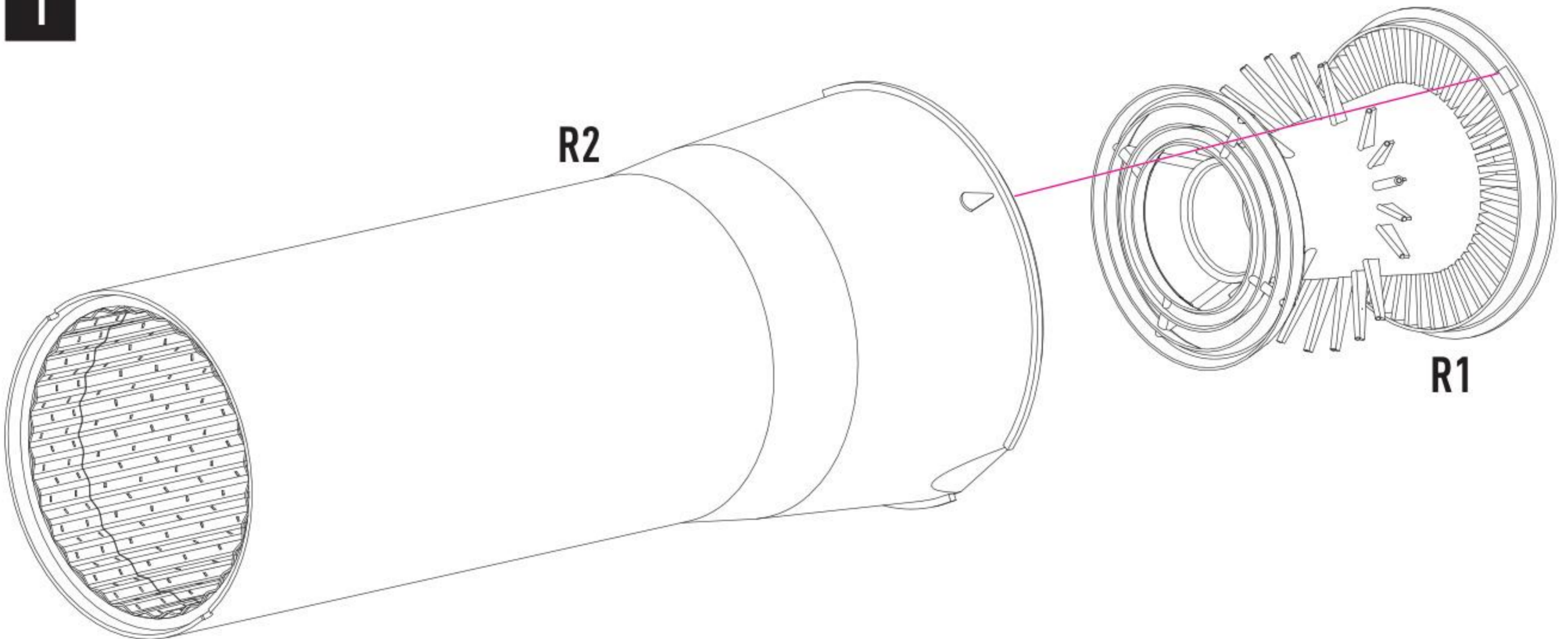


**R2**

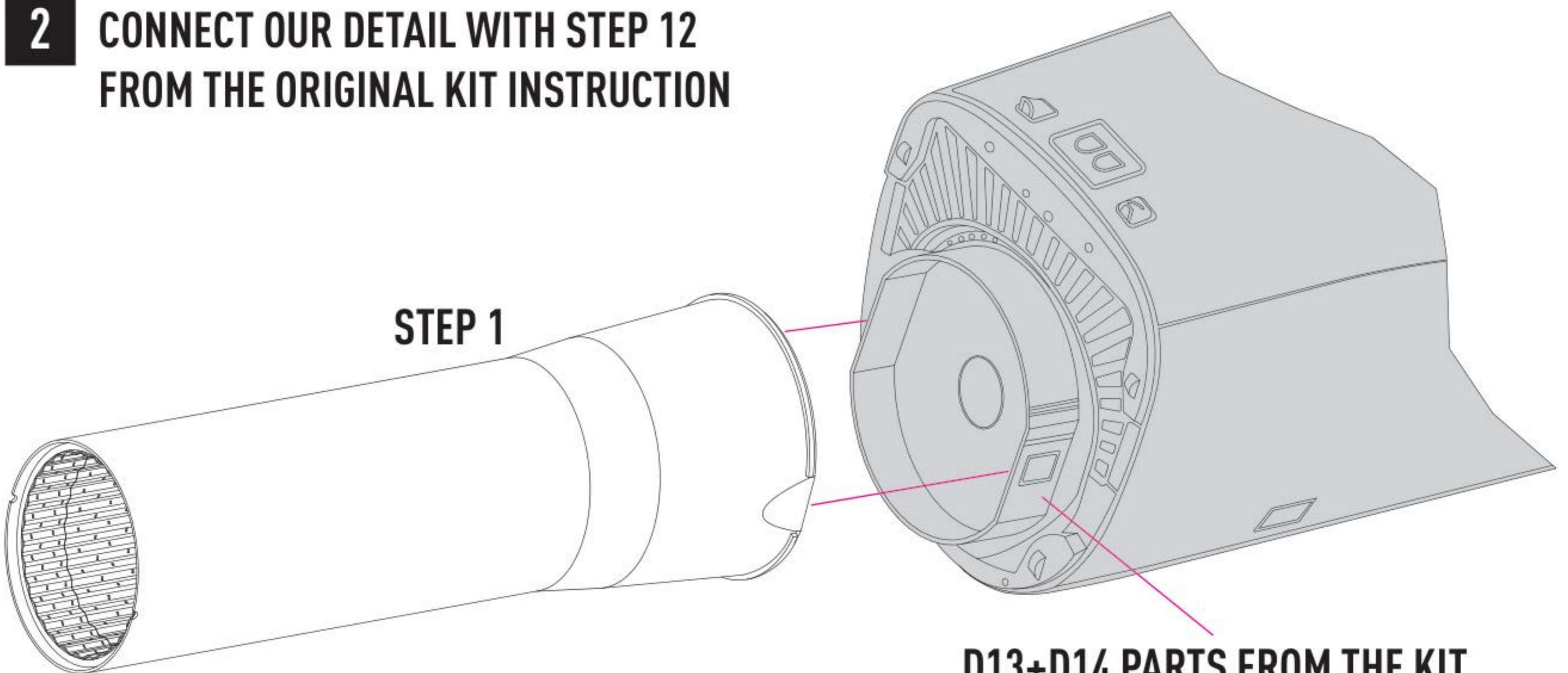


**R3**

**1**



**2** **CONNECT OUR DETAIL WITH STEP 12  
 FROM THE ORIGINAL KIT INSTRUCTION**



**3** **CONNECT R3 TO STEP 2 AFTER ASSEMBLING  
PARTS FROM THE ORIGINAL KIT**

