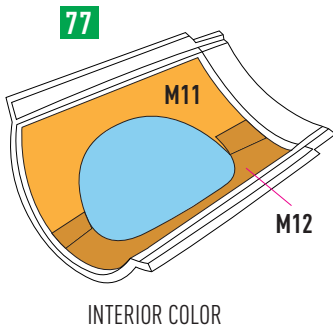
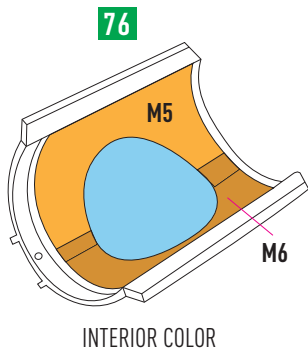
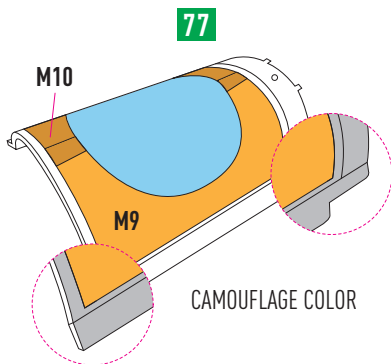
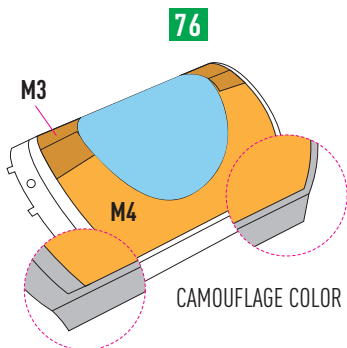
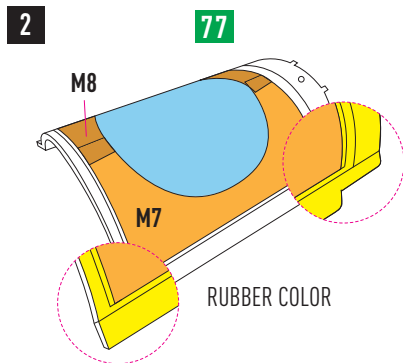
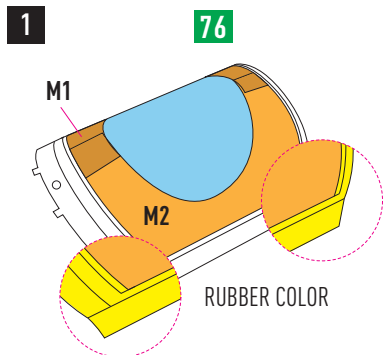


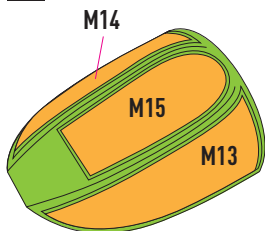
● - KIT PART

● - MASK

● - LIQUID MASK

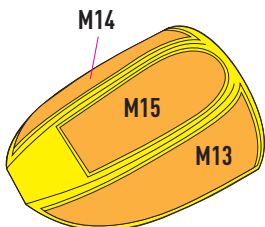


3

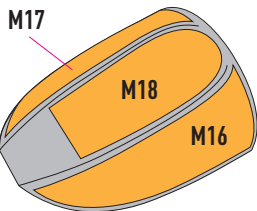


INTERIOR COLOR

73

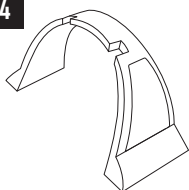


RUBBER COLOR



CAMOUFLAGE COLOR

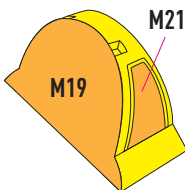
4



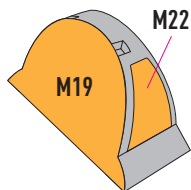
74



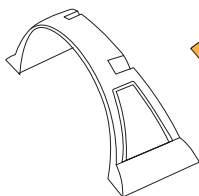
INTERIOR COLOR



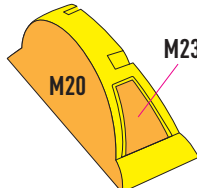
RUBBER COLOR



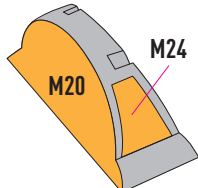
CAMOUFLAGE COLOR



INTERIOR COLOR

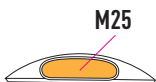


RUBBER COLOR



CAMOUFLAGE COLOR

5



189

127



217



M27

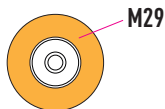
39A



M28

6

88/89



100/101

