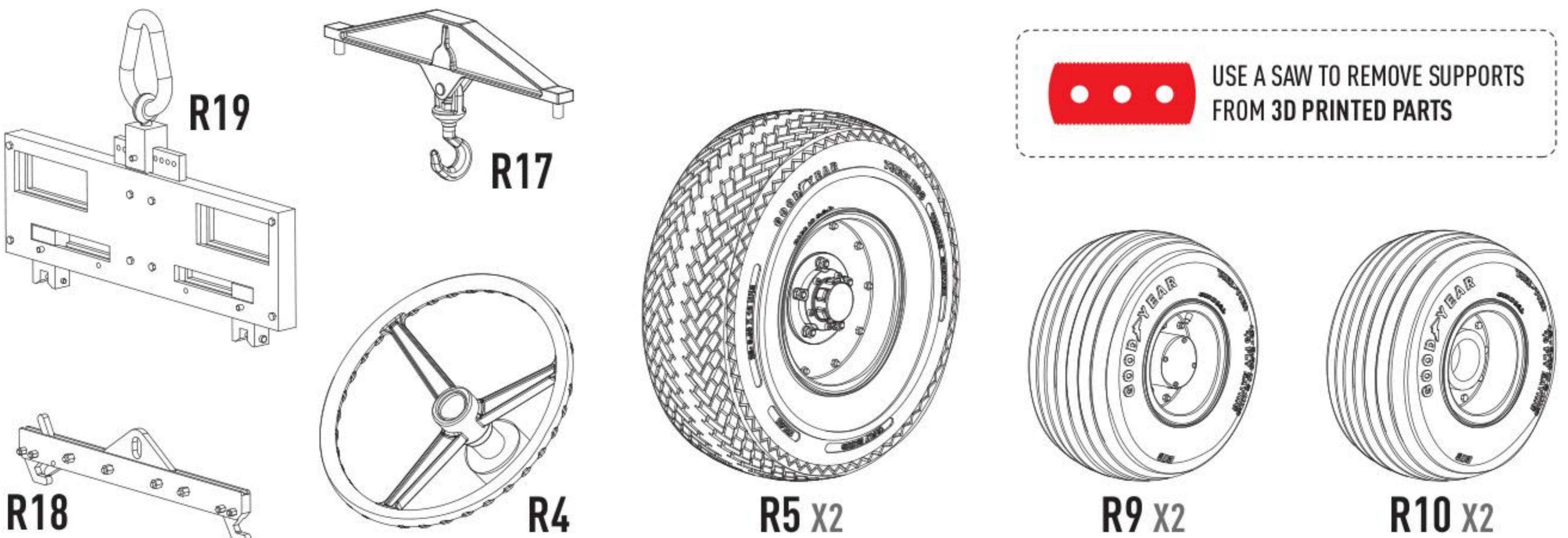
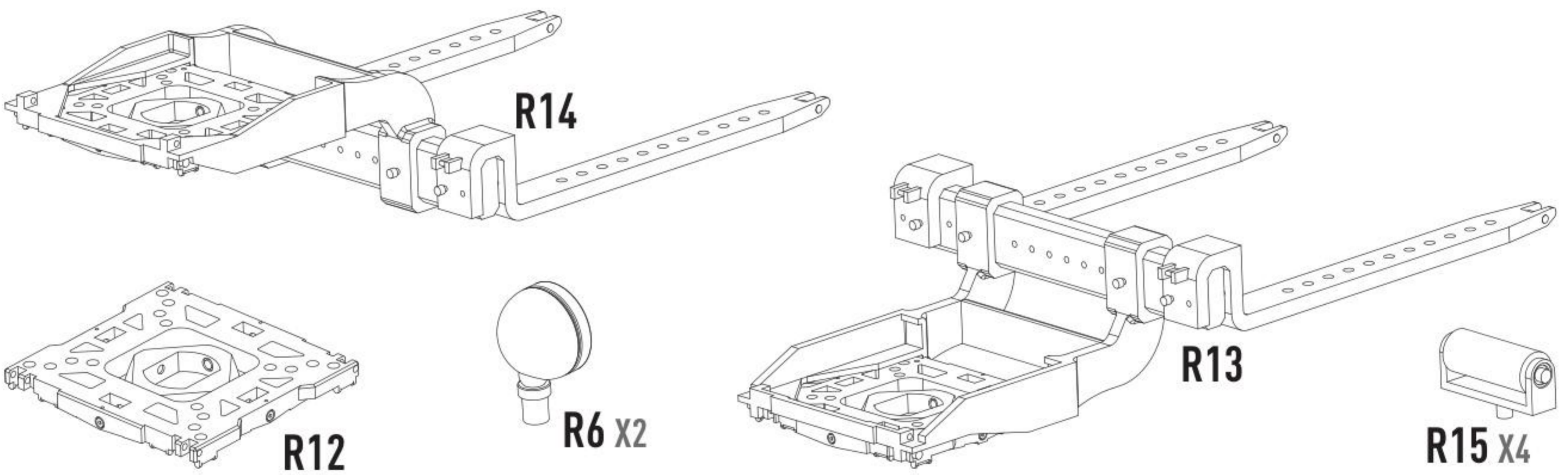
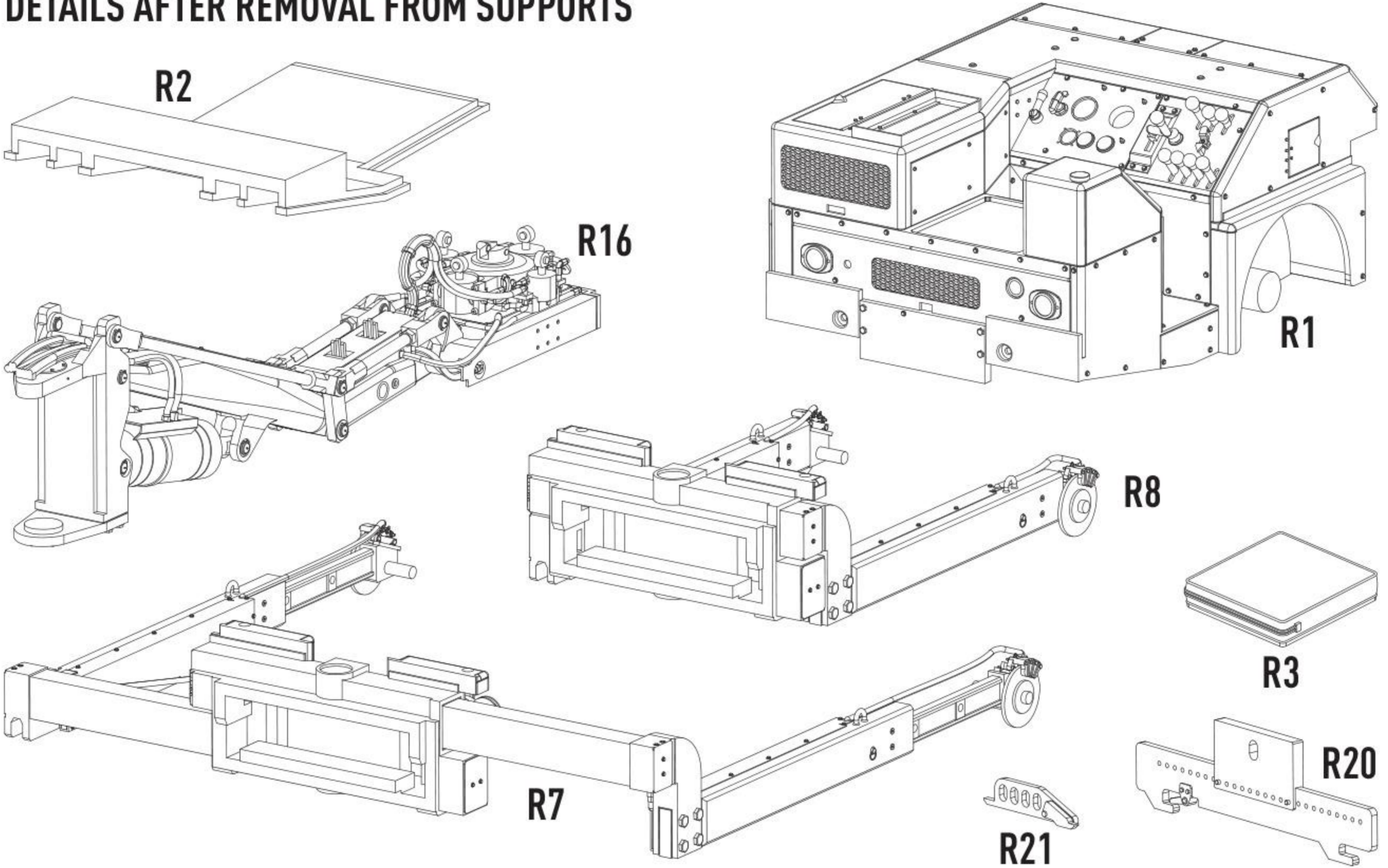
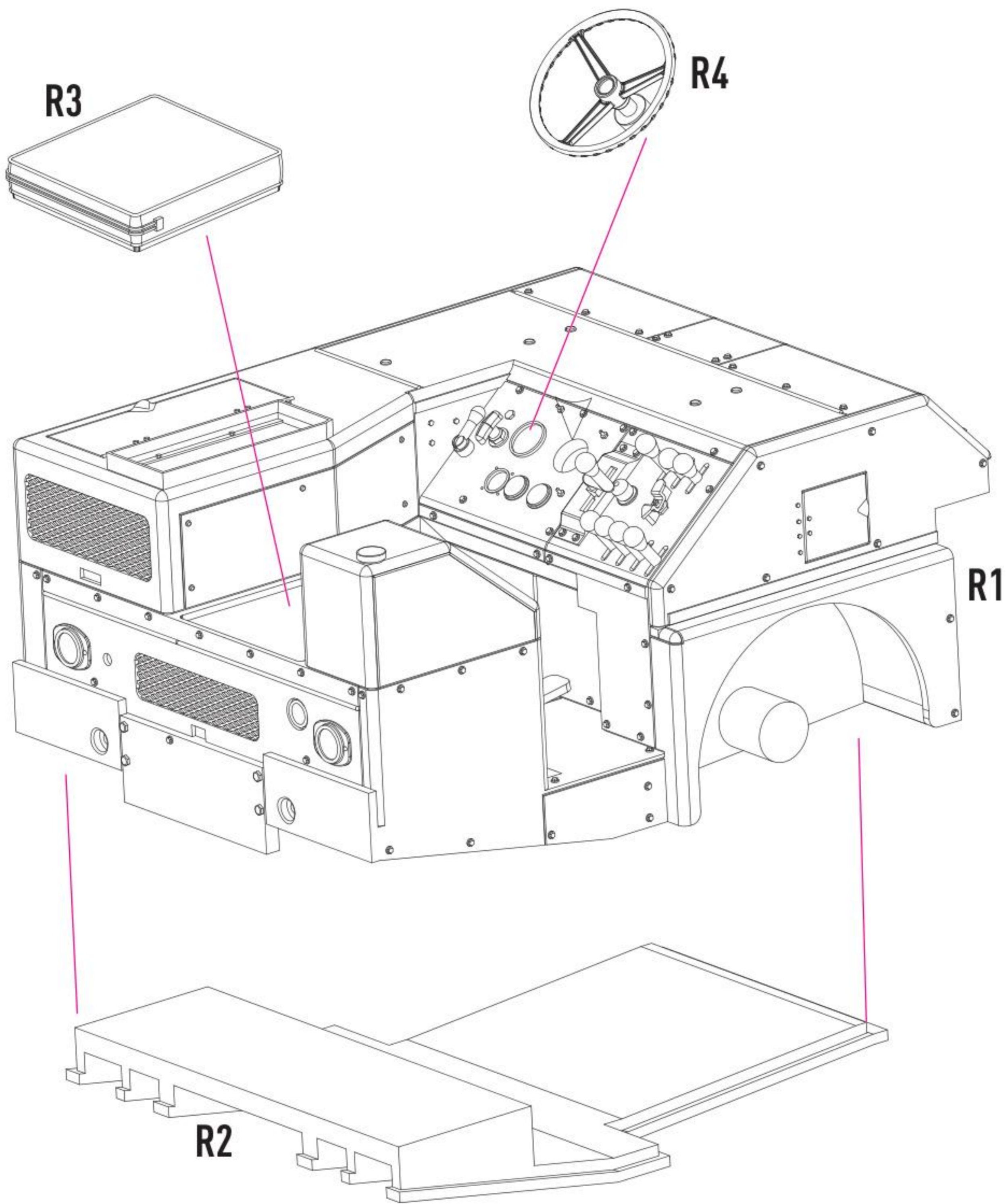


DETAILS AFTER REMOVAL FROM SUPPORTS

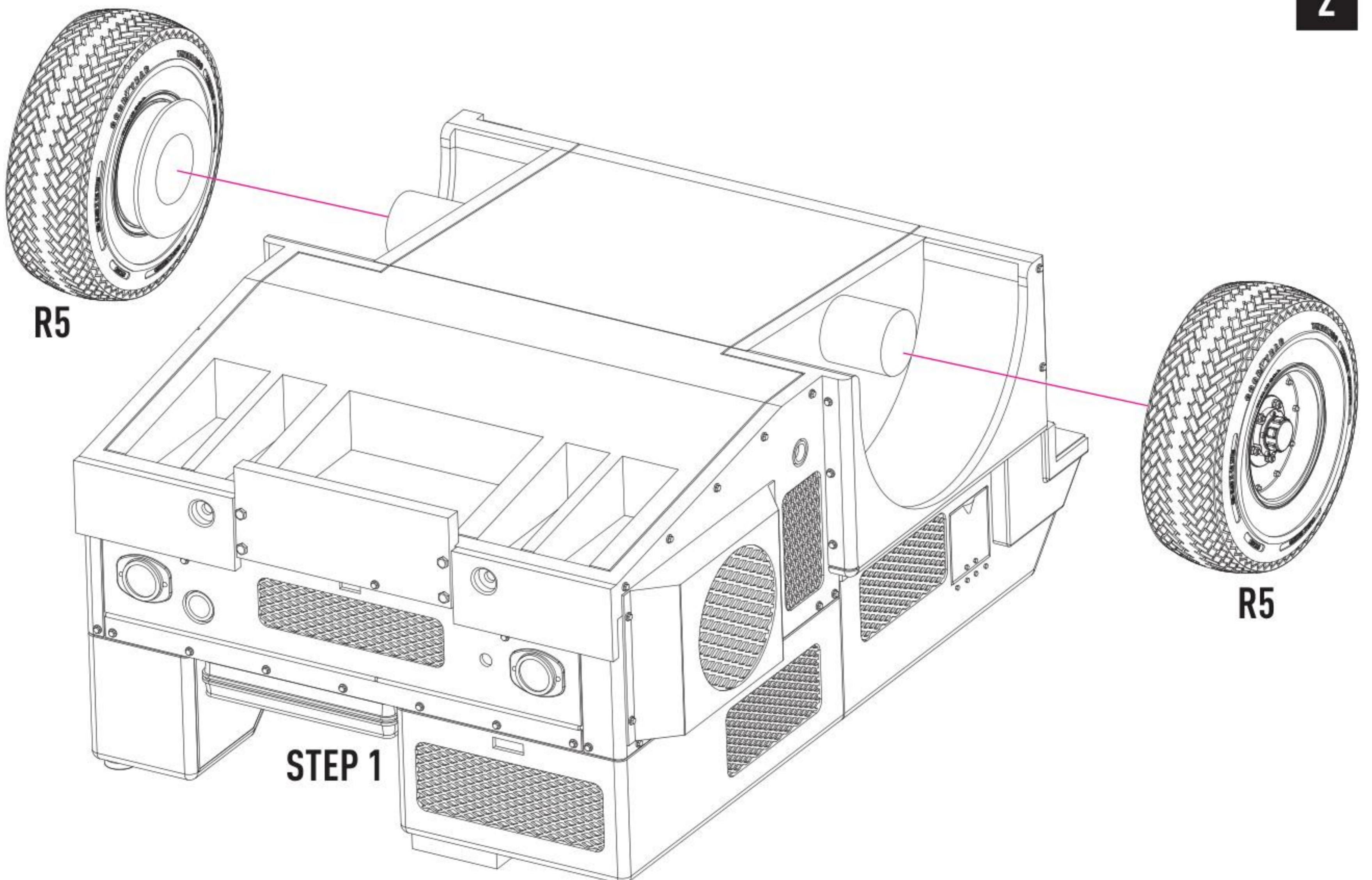


 USE A SAW TO REMOVE SUPPORTS FROM 3D PRINTED PARTS

1

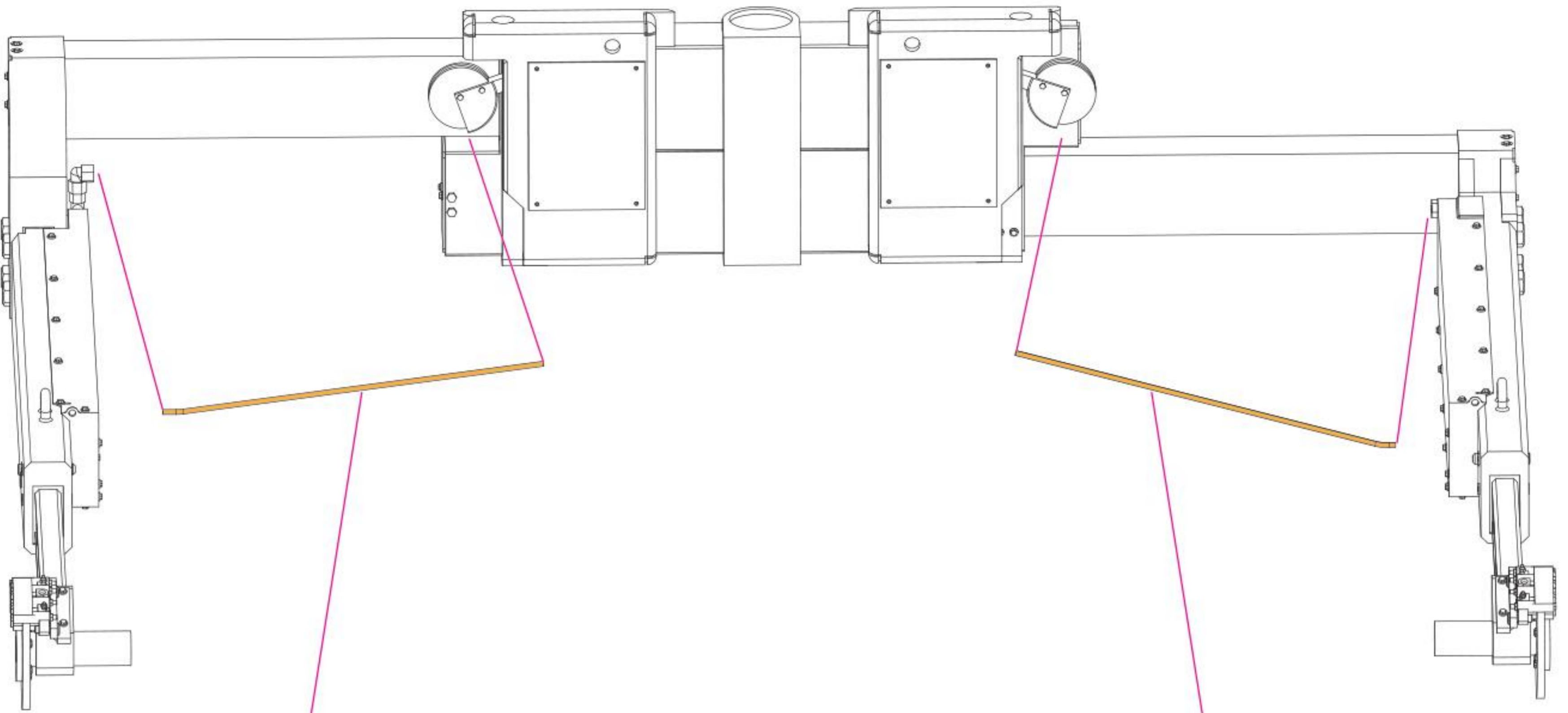


2



3

R7

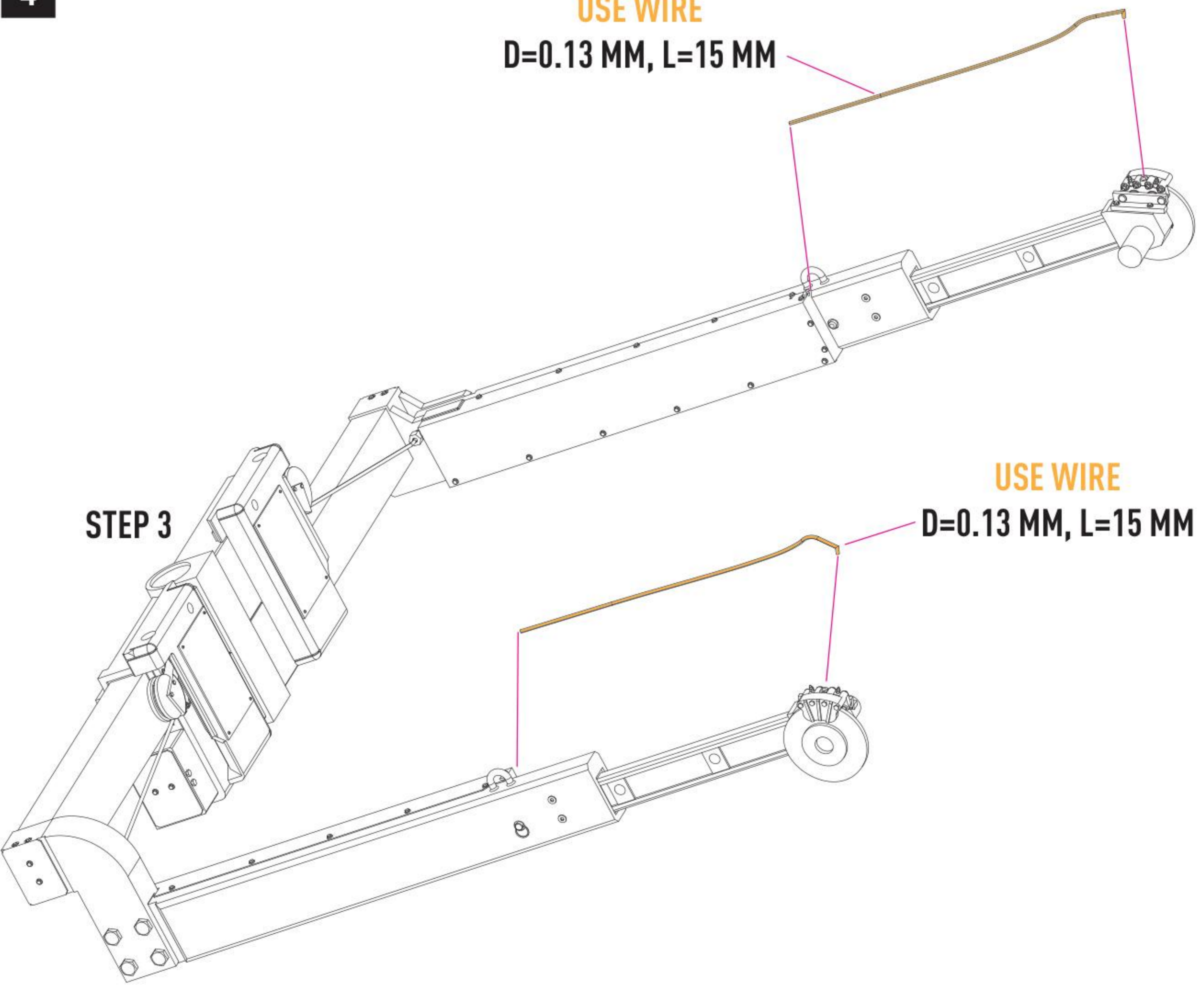


USE WIRE
D=0.13 MM, L=11 MM

USE WIRE
D=0.13 MM, L=11 MM

4

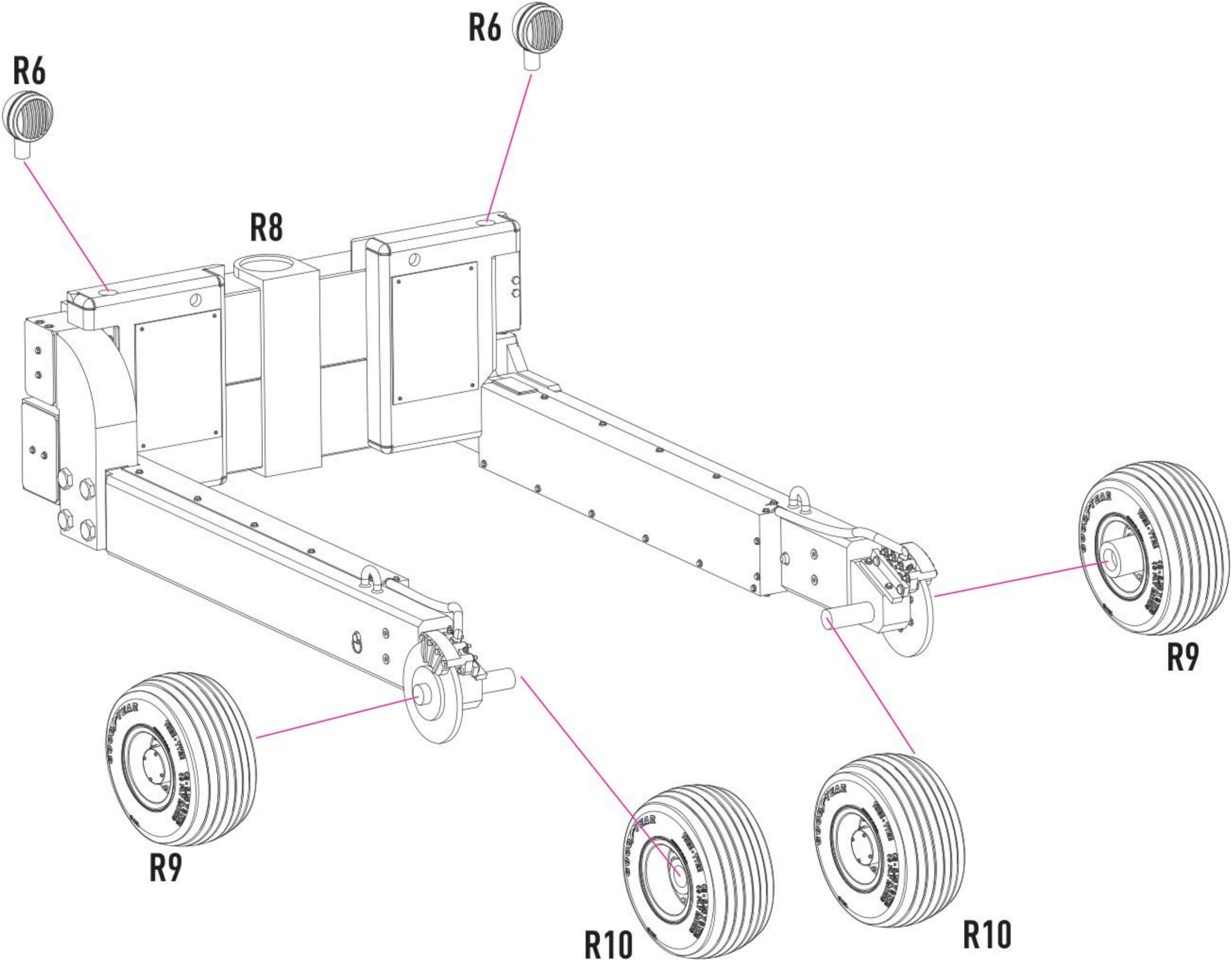
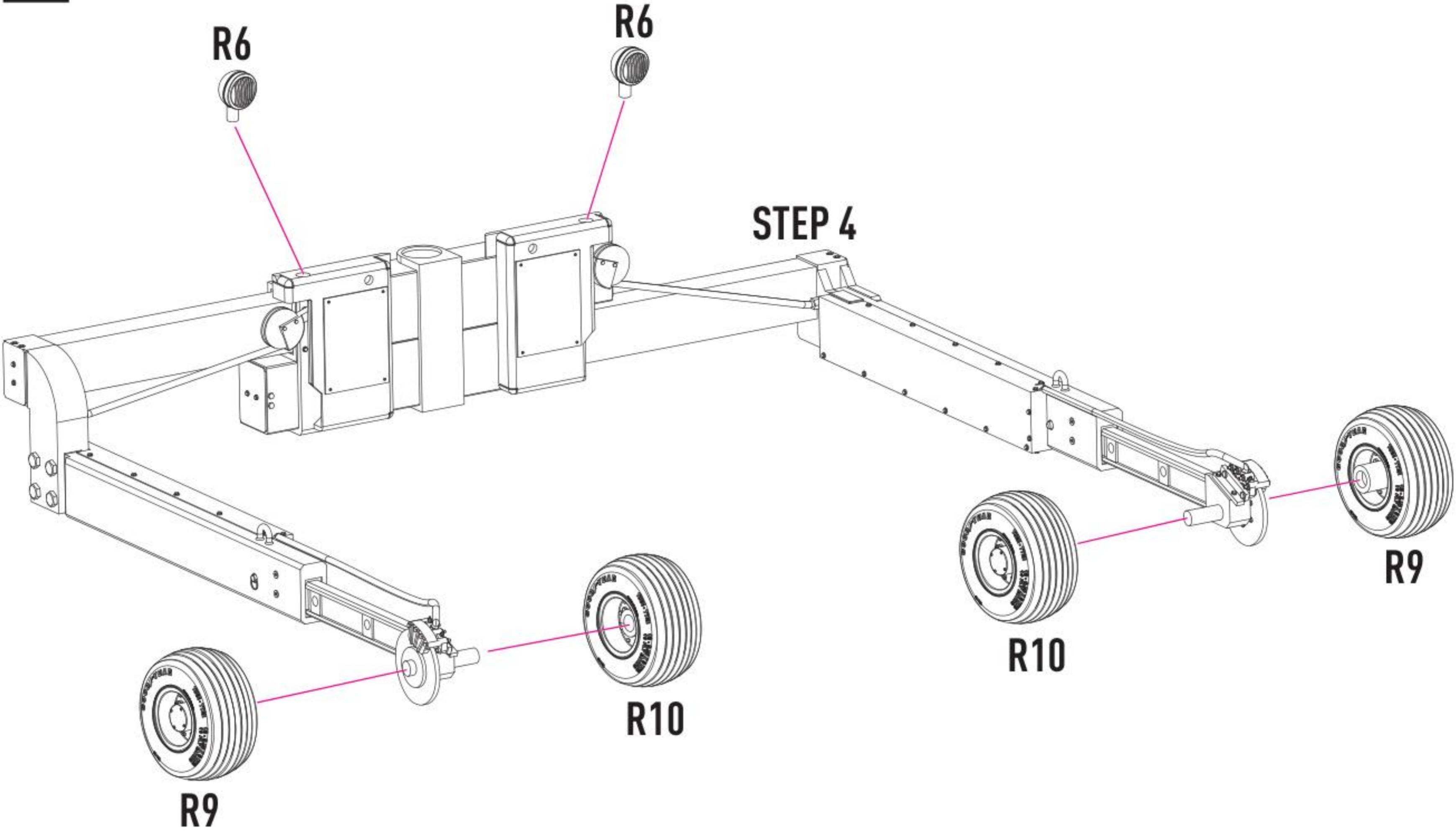
USE WIRE
D=0.13 MM, L=15 MM



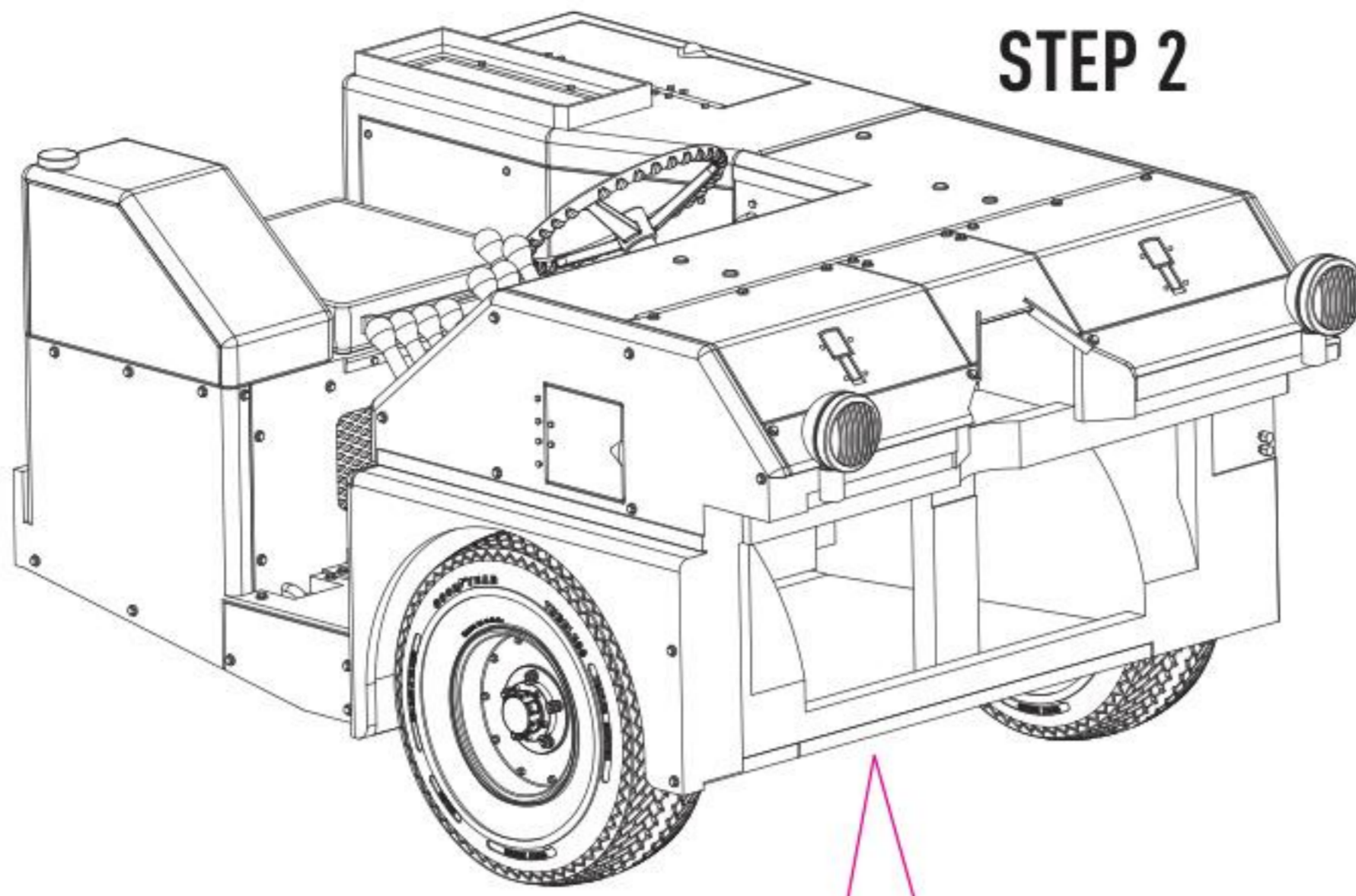
STEP 3

USE WIRE
D=0.13 MM, L=15 MM

5

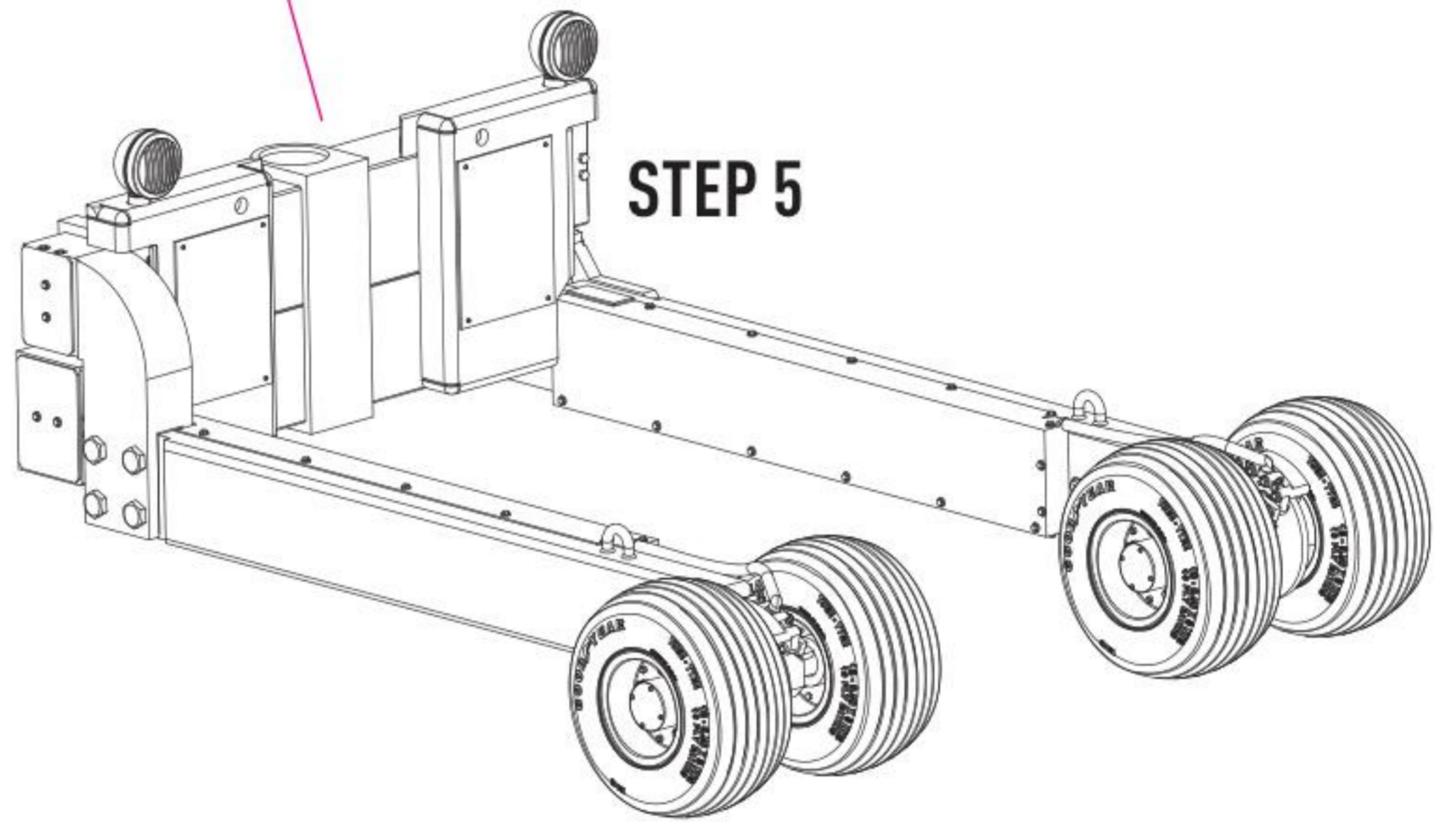


STEP 2

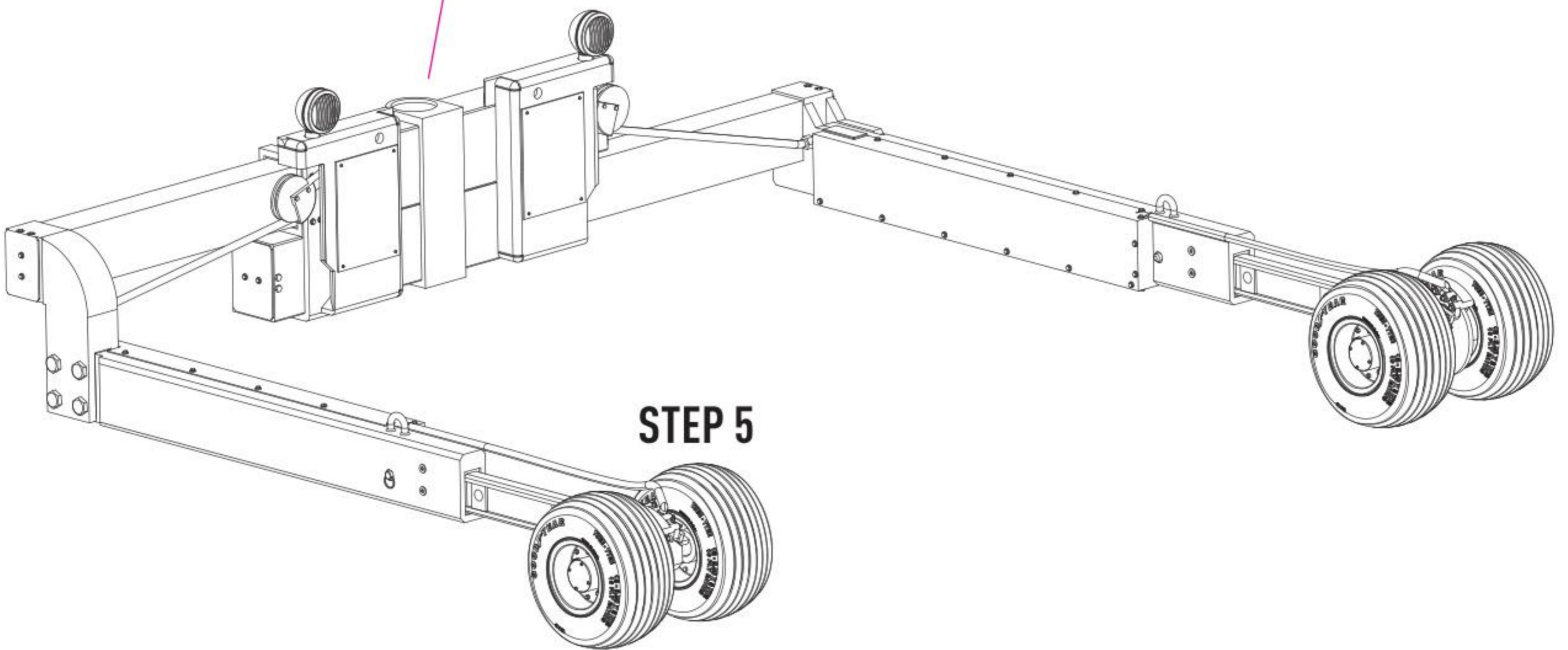


?

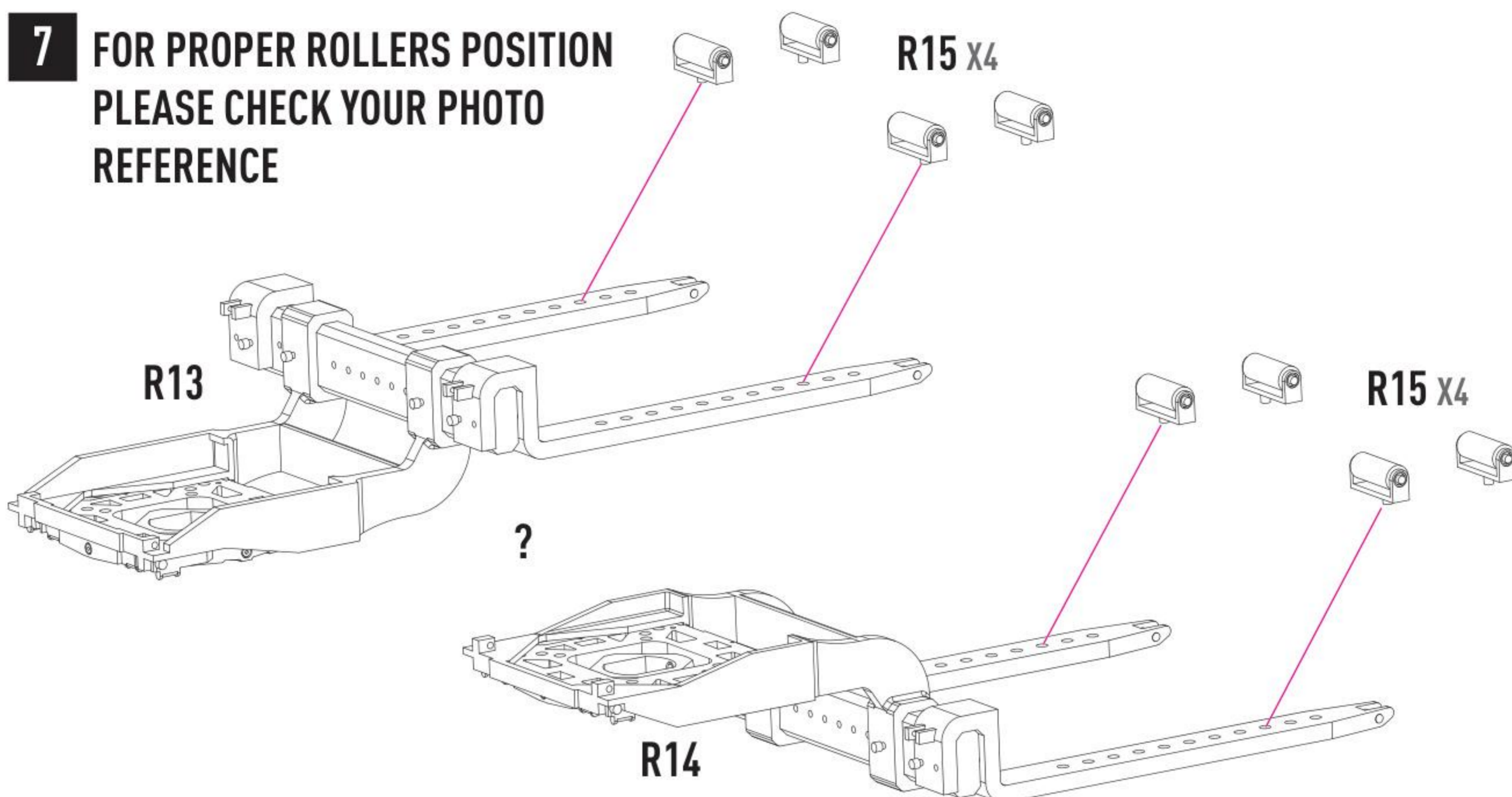
STEP 5



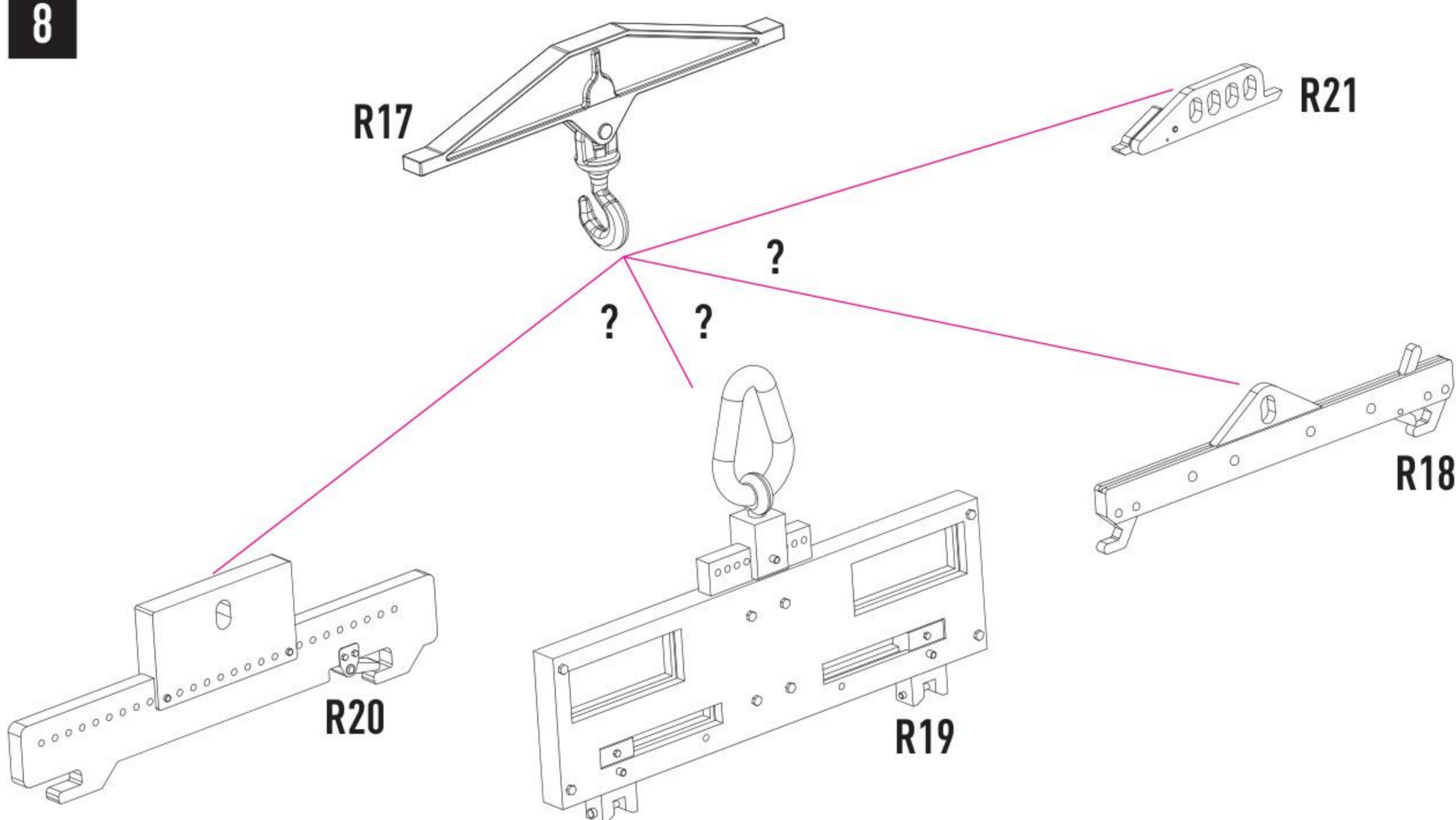
STEP 5



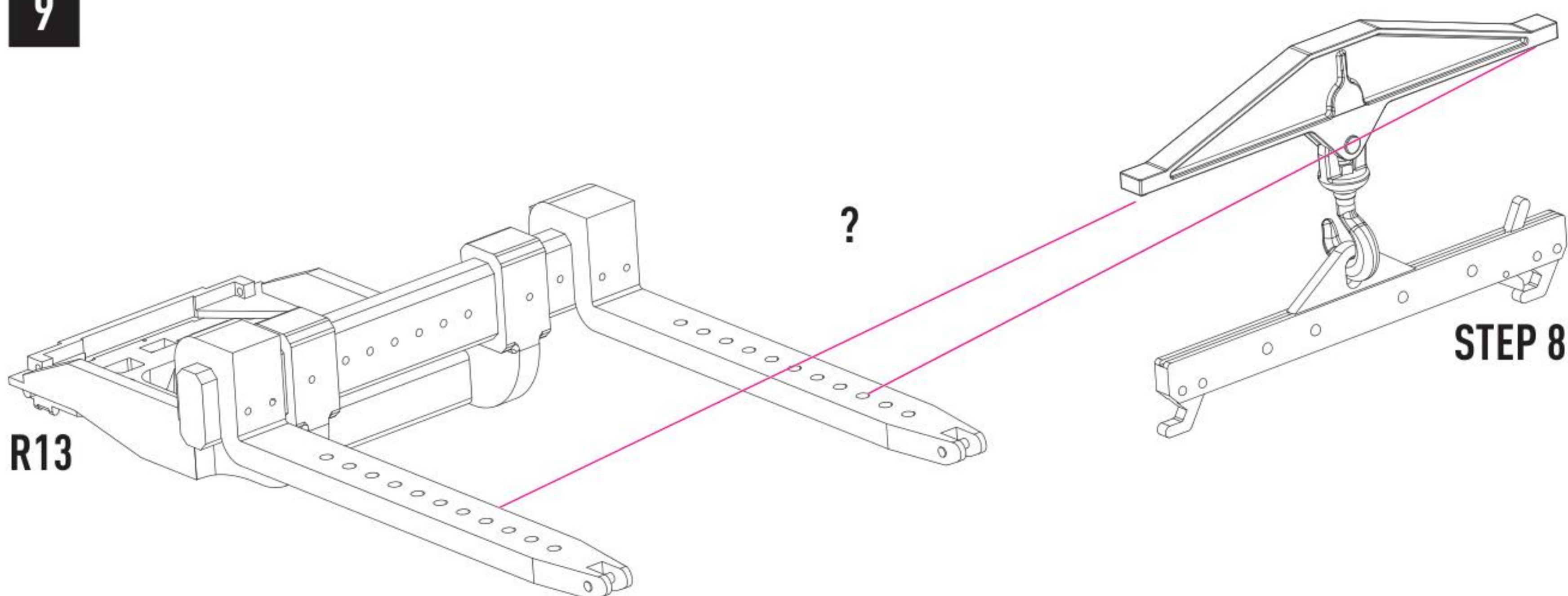
7 FOR PROPER ROLLERS POSITION
PLEASE CHECK YOUR PHOTO
REFERENCE



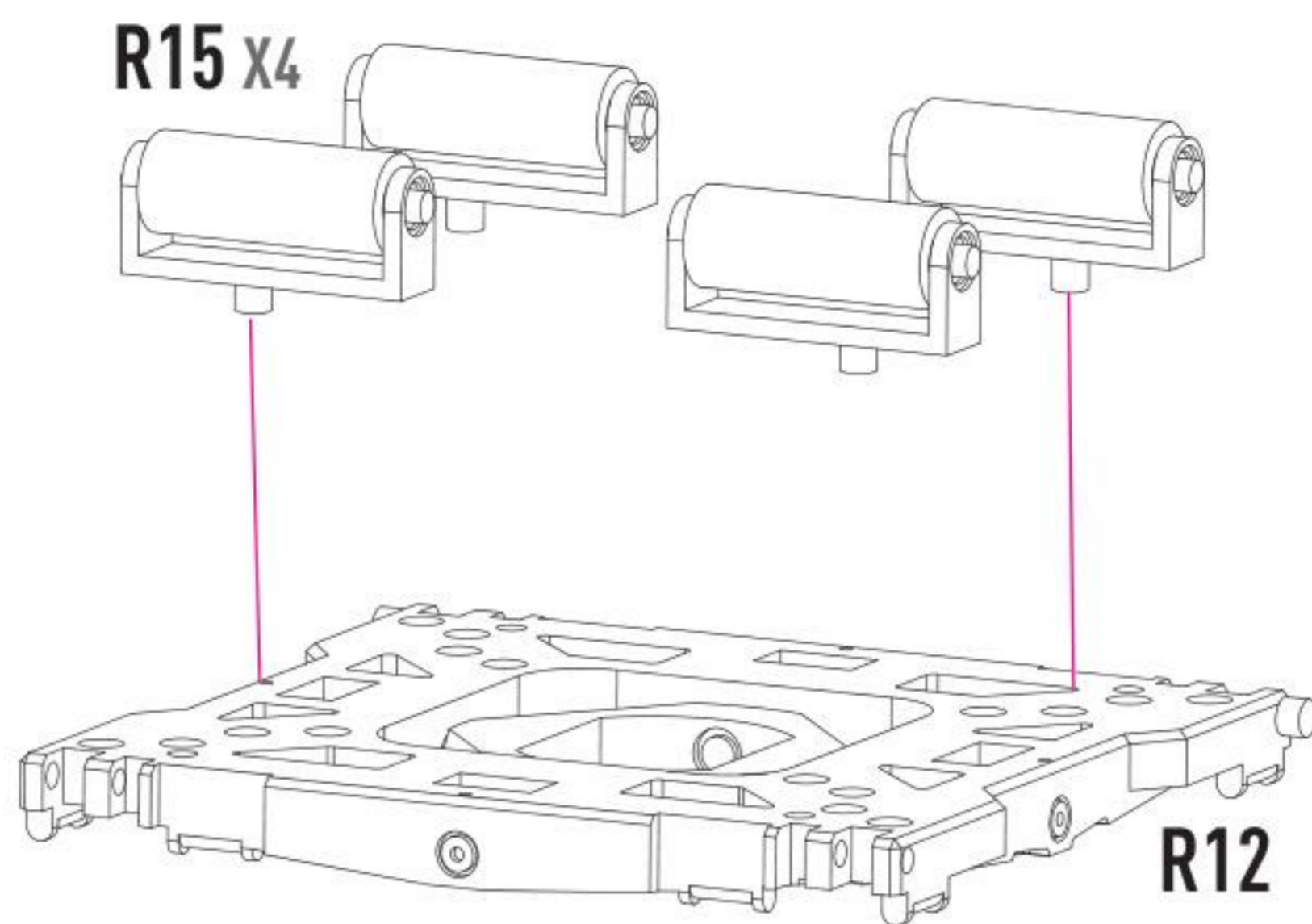
8



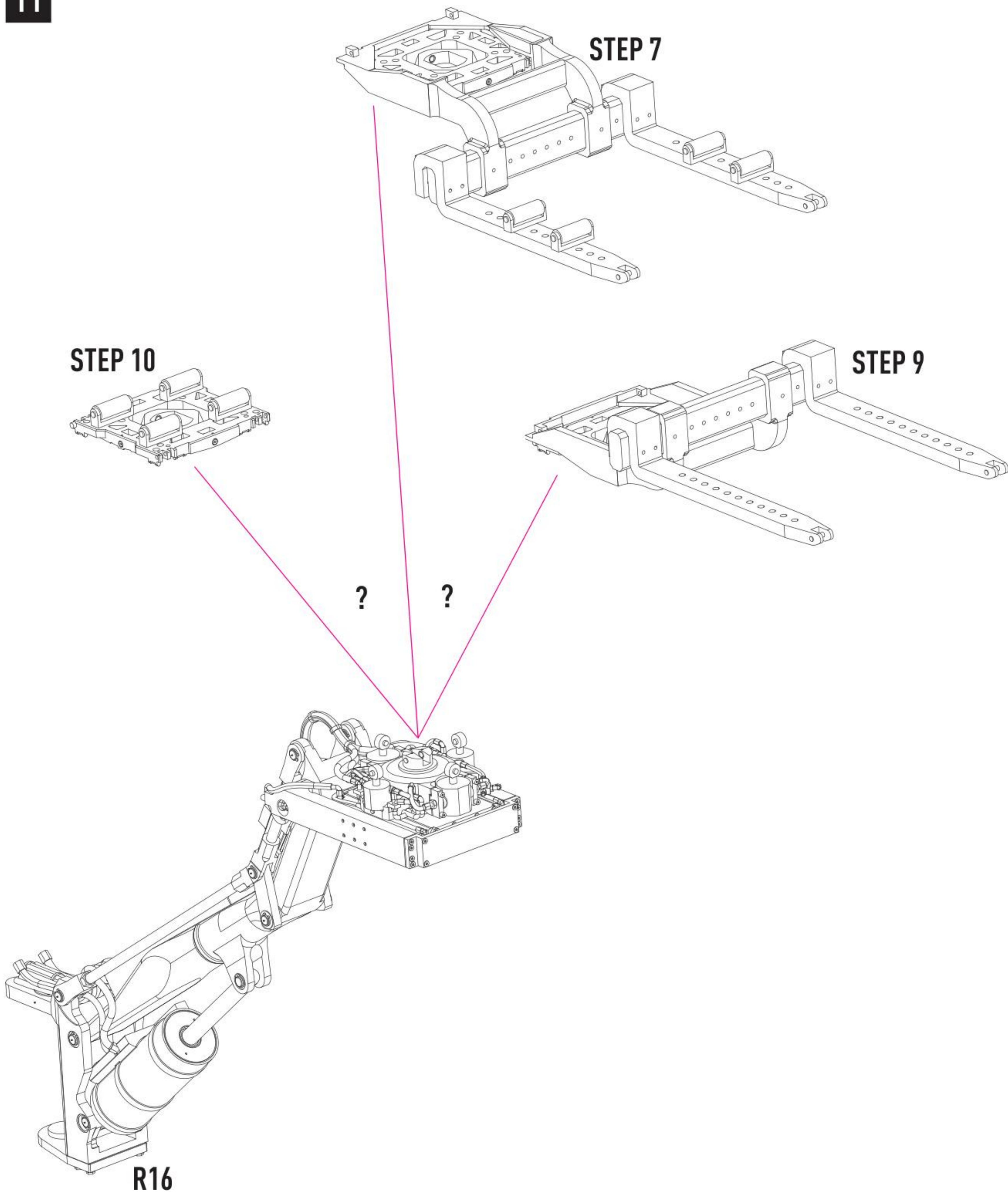
9



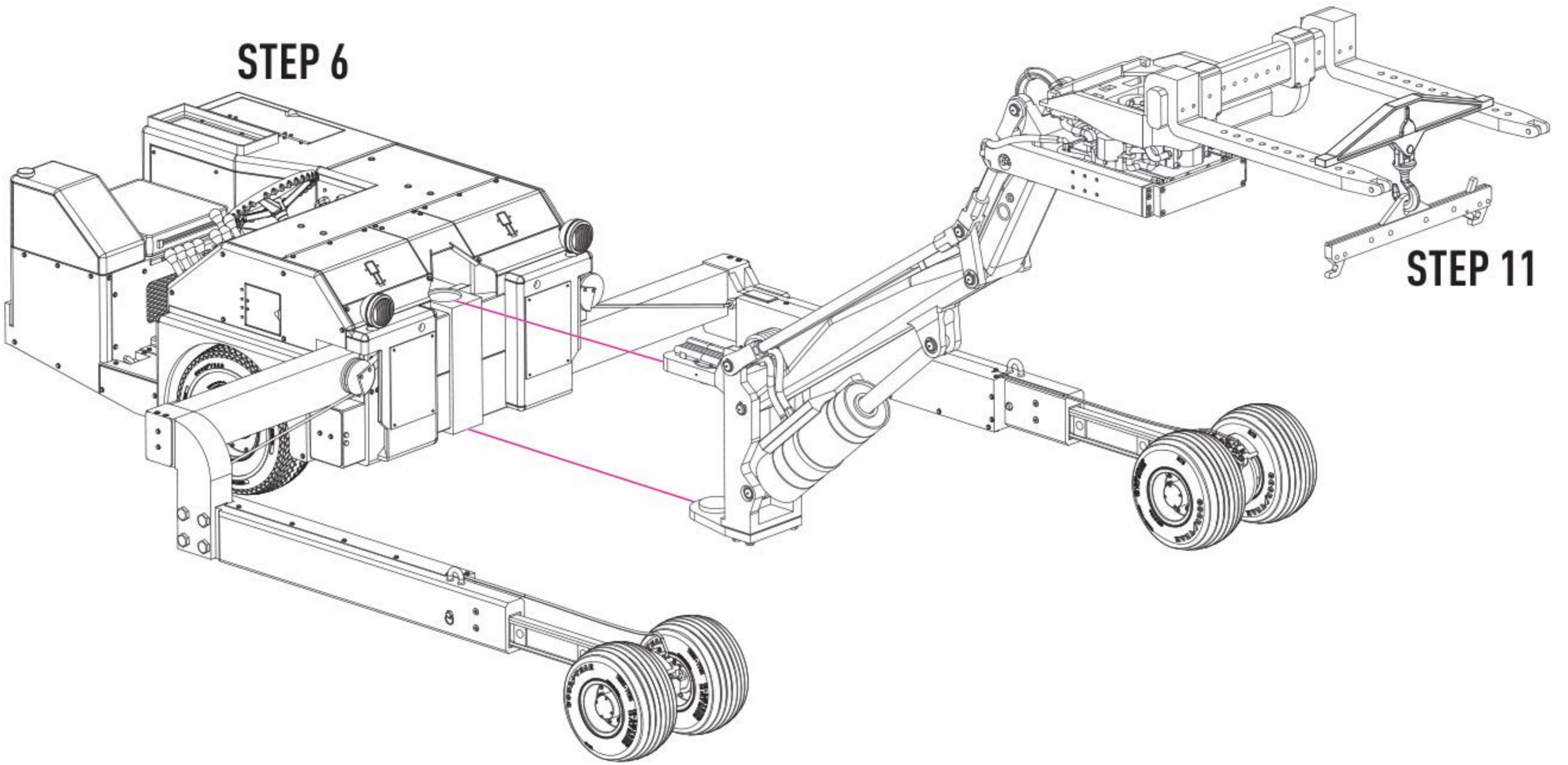
10



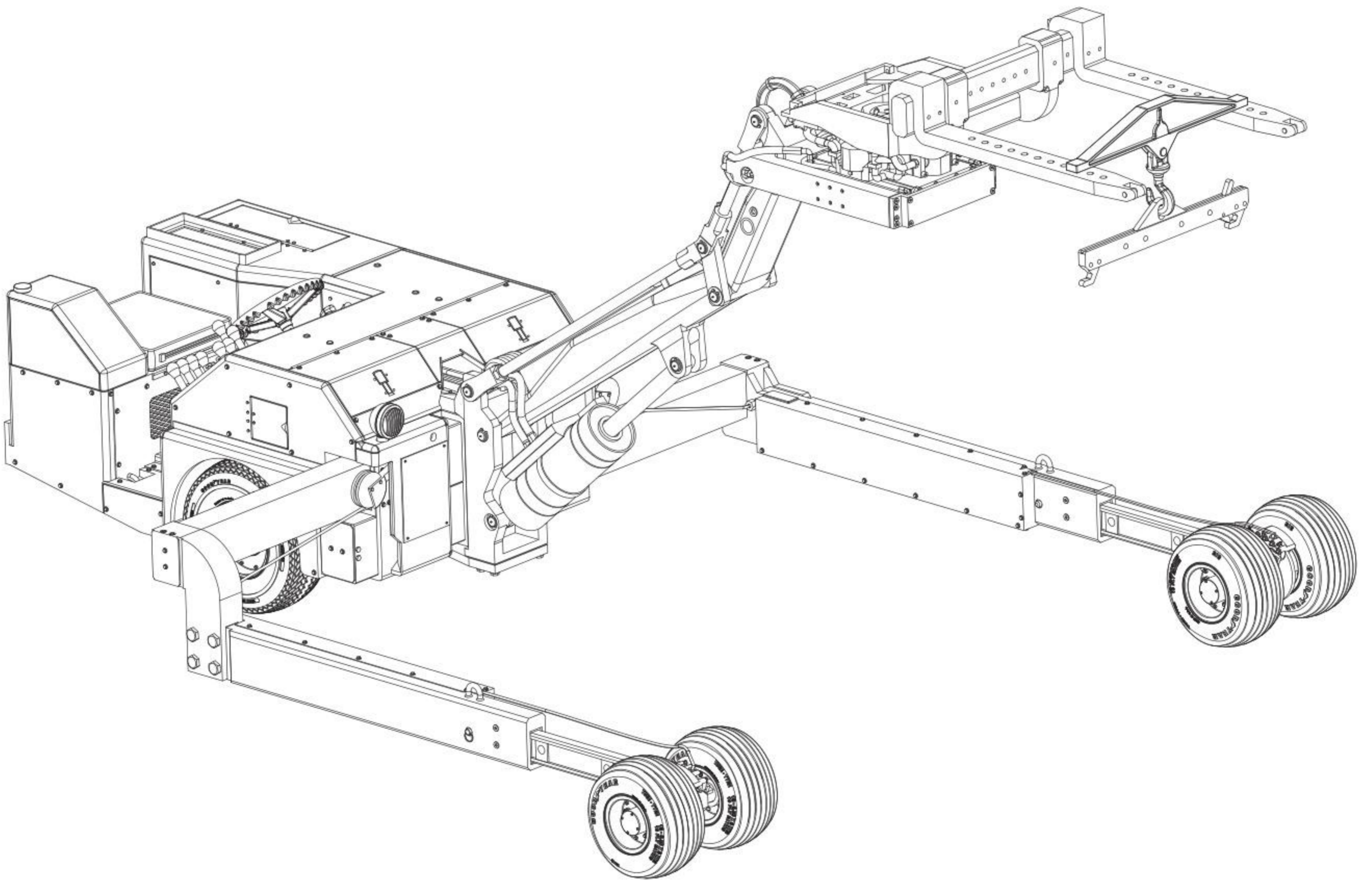
11

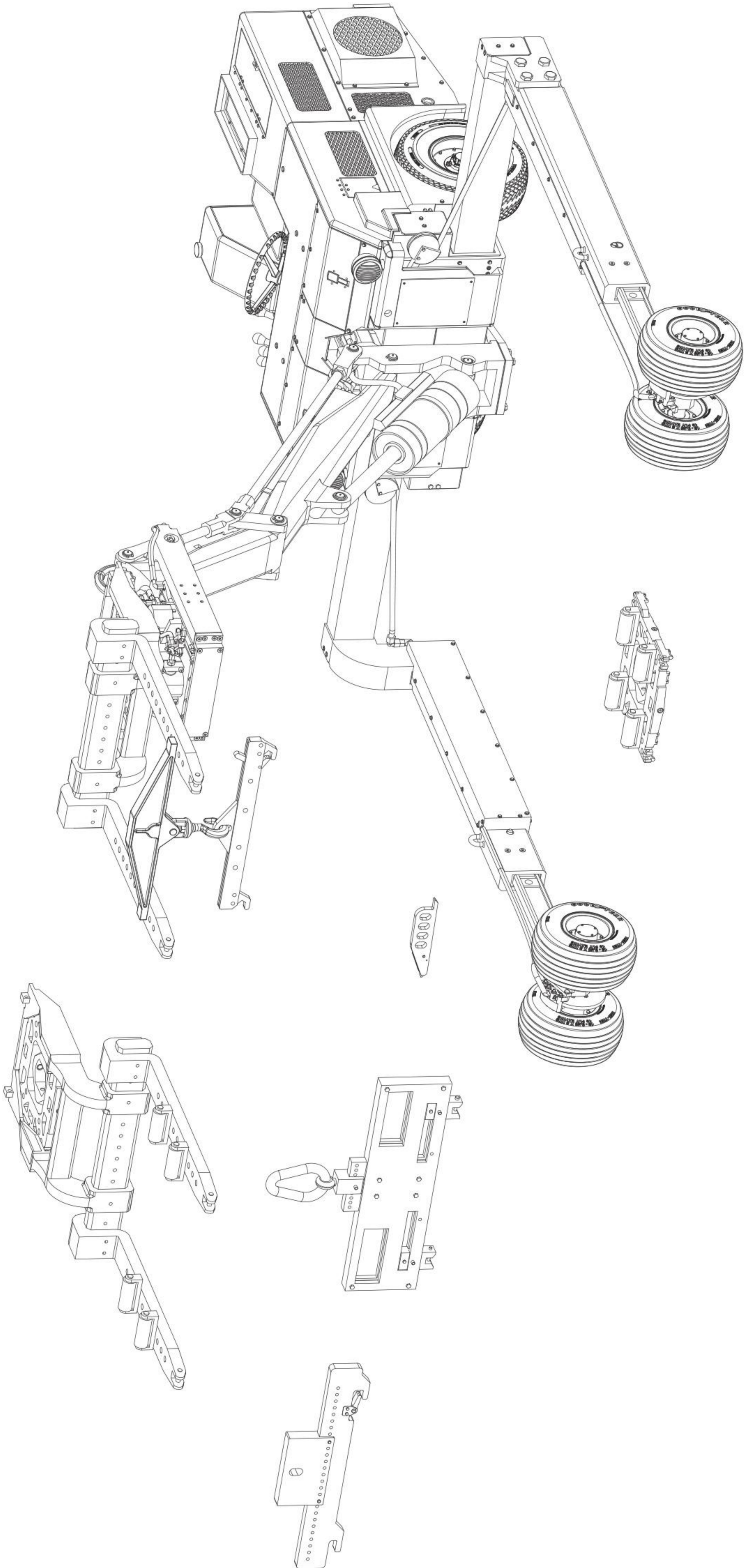


STEP 6



STEP 11



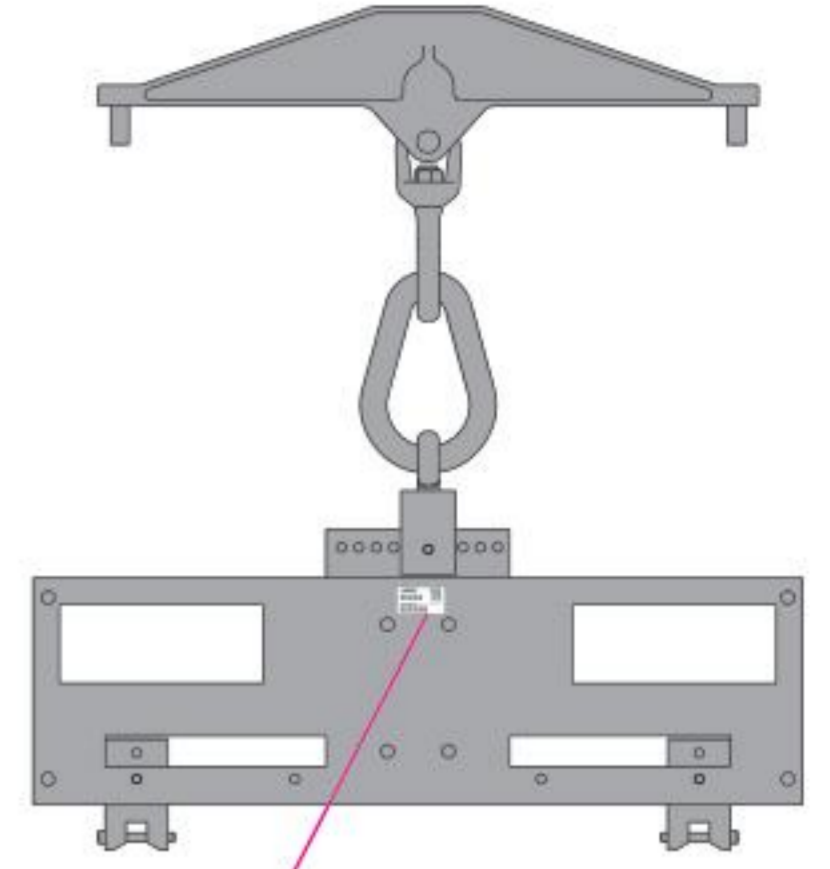
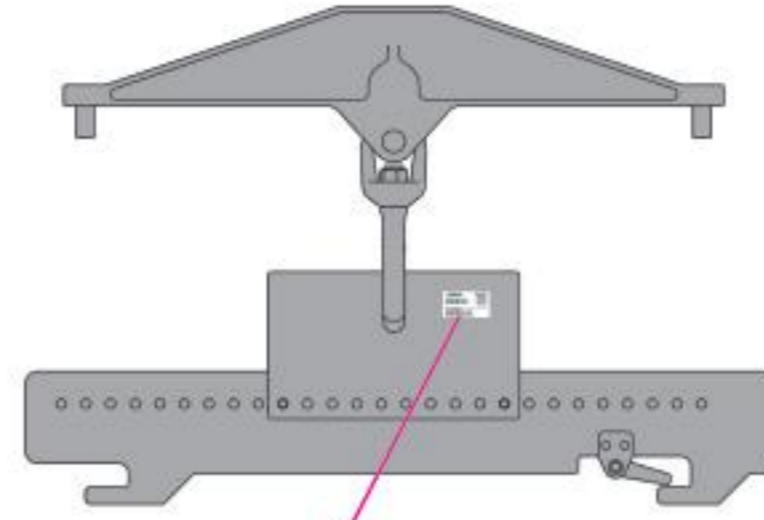
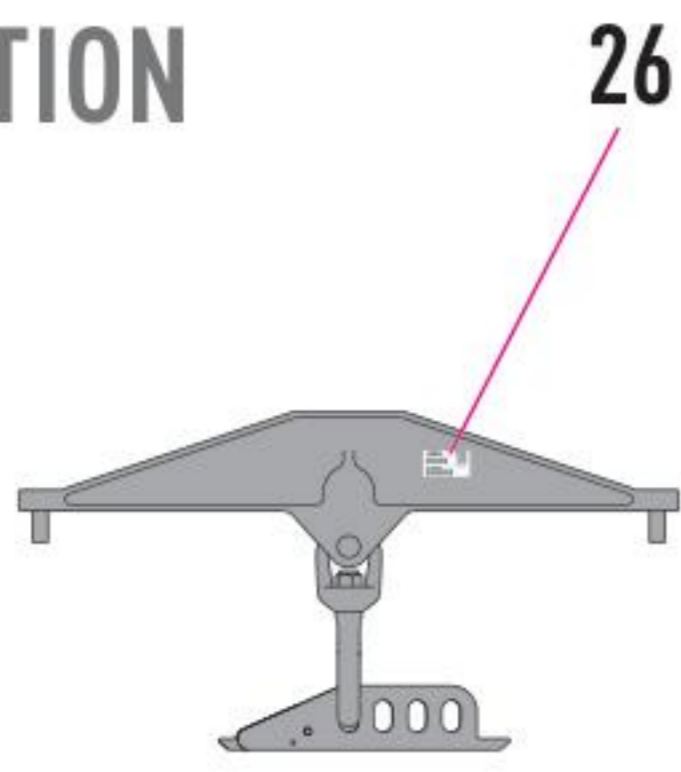


DECAL INSTRUCTION

20 21 22 23

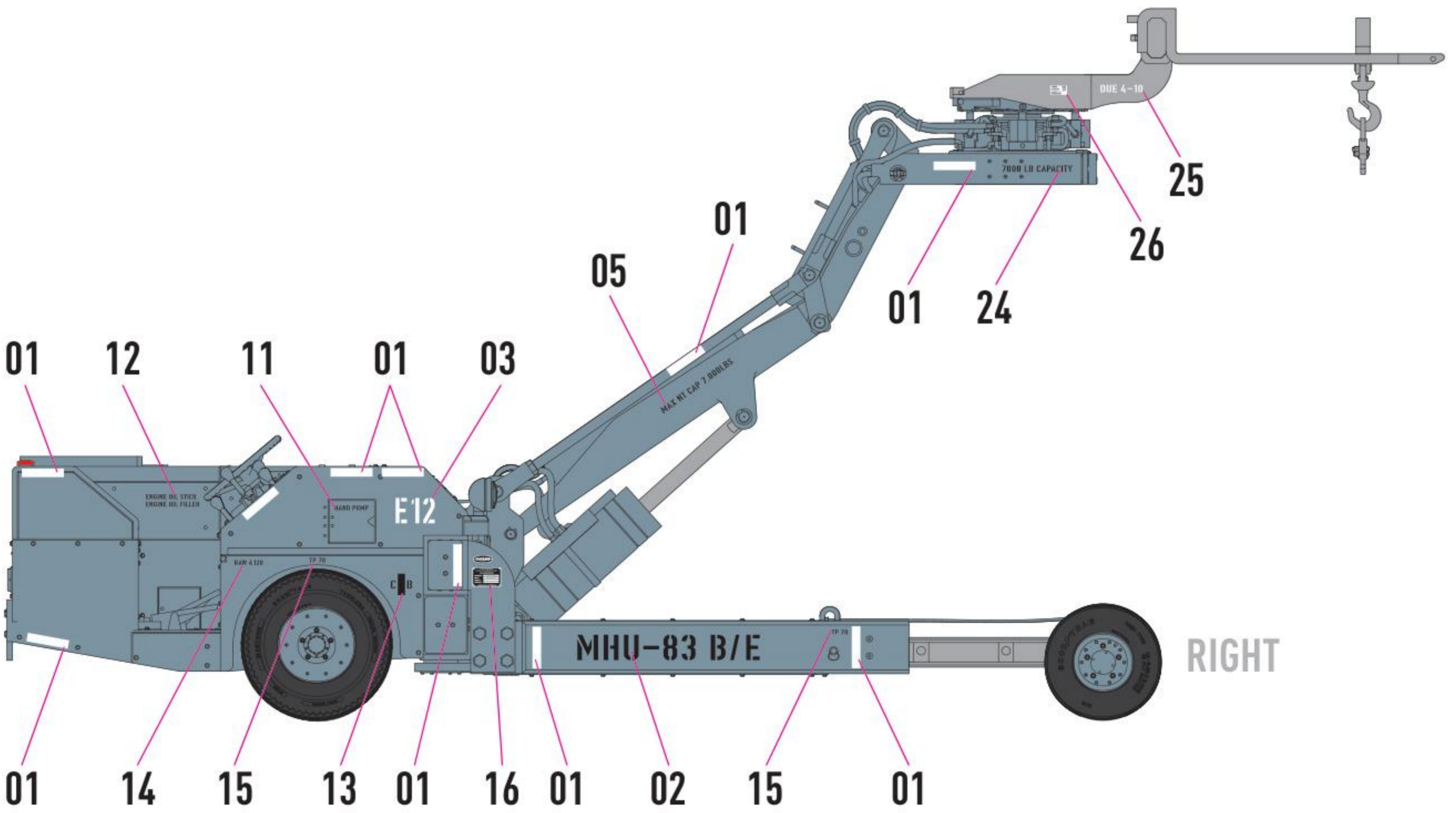
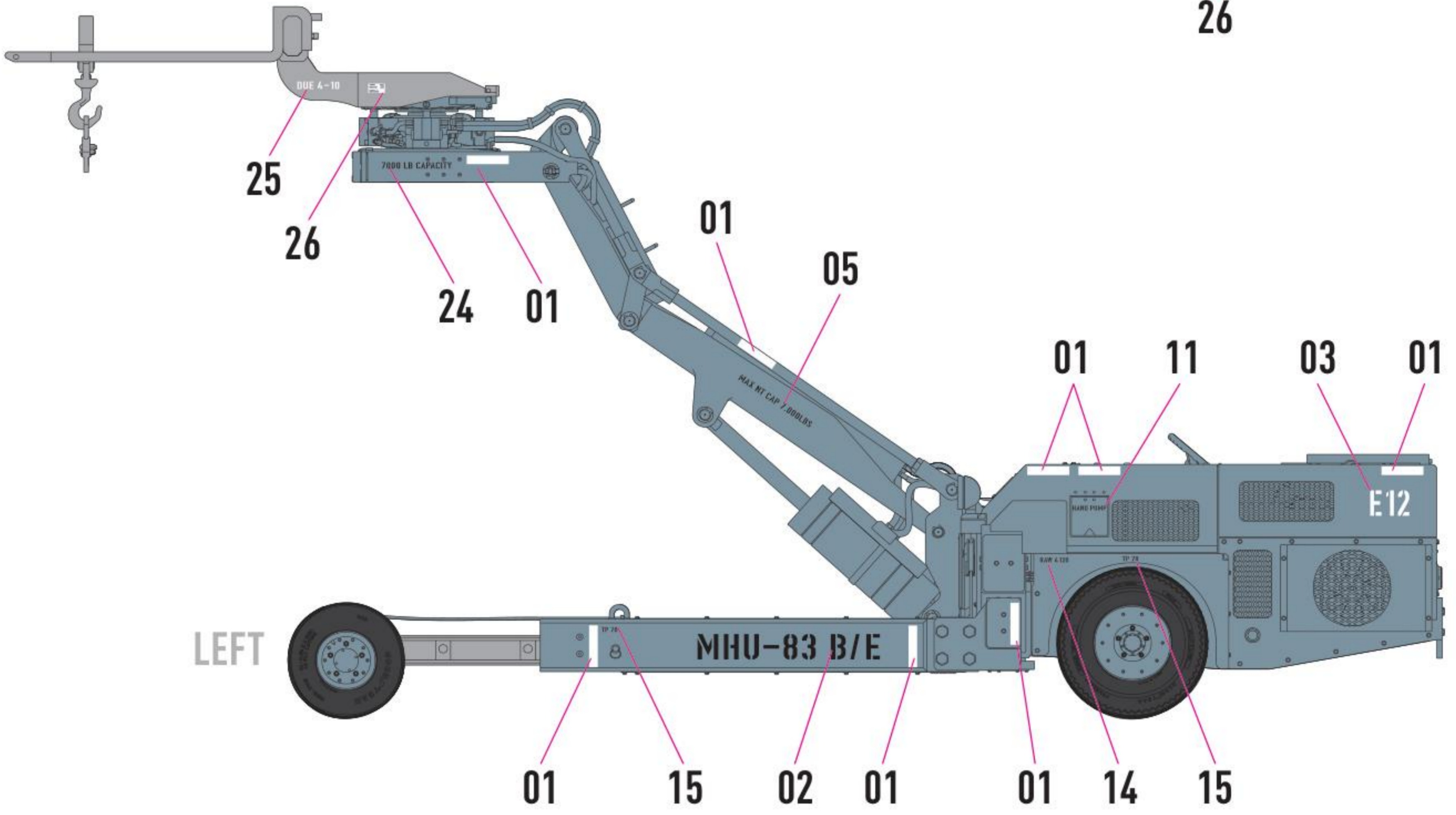


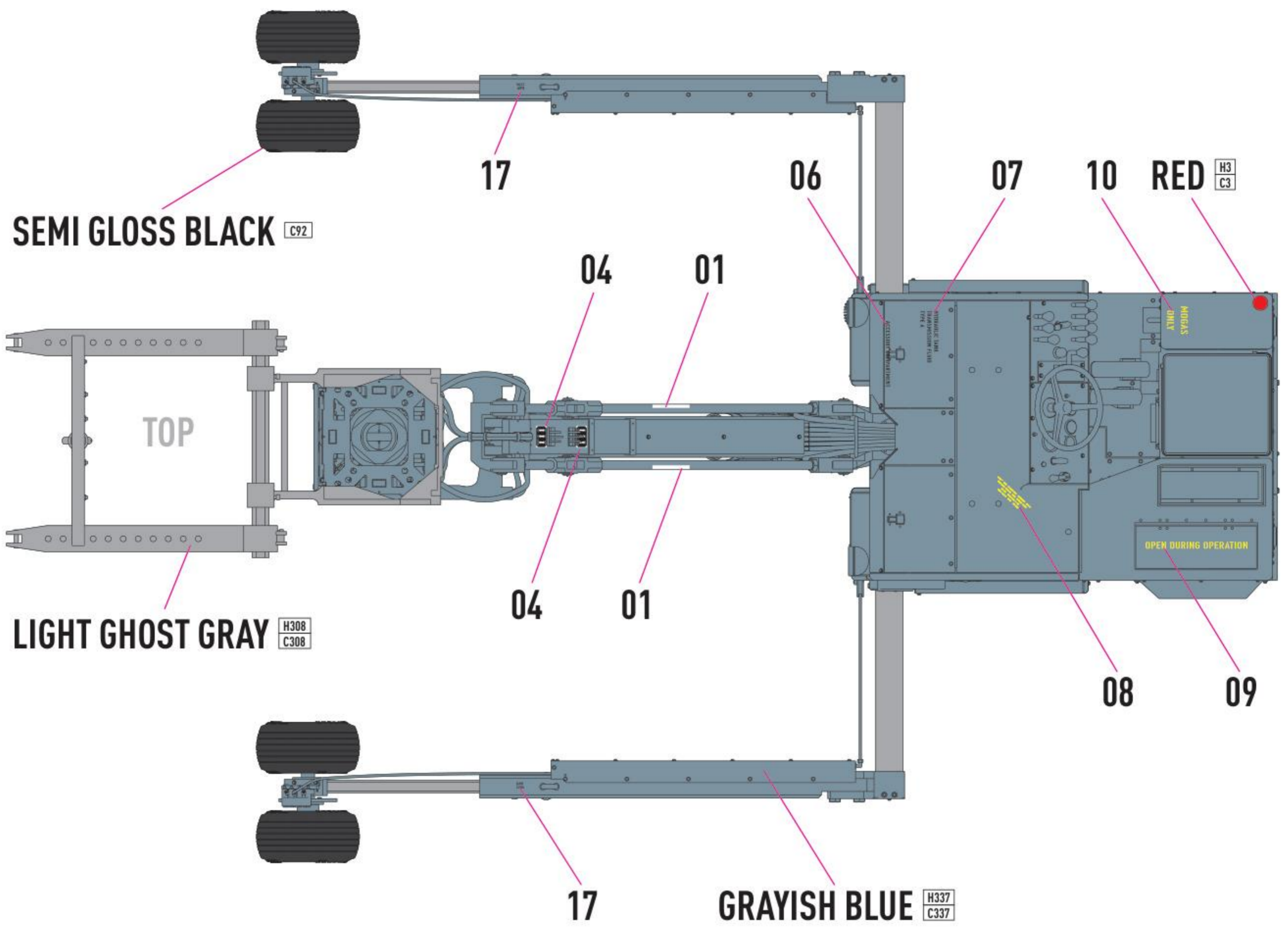
INSTRUMENT
PANEL



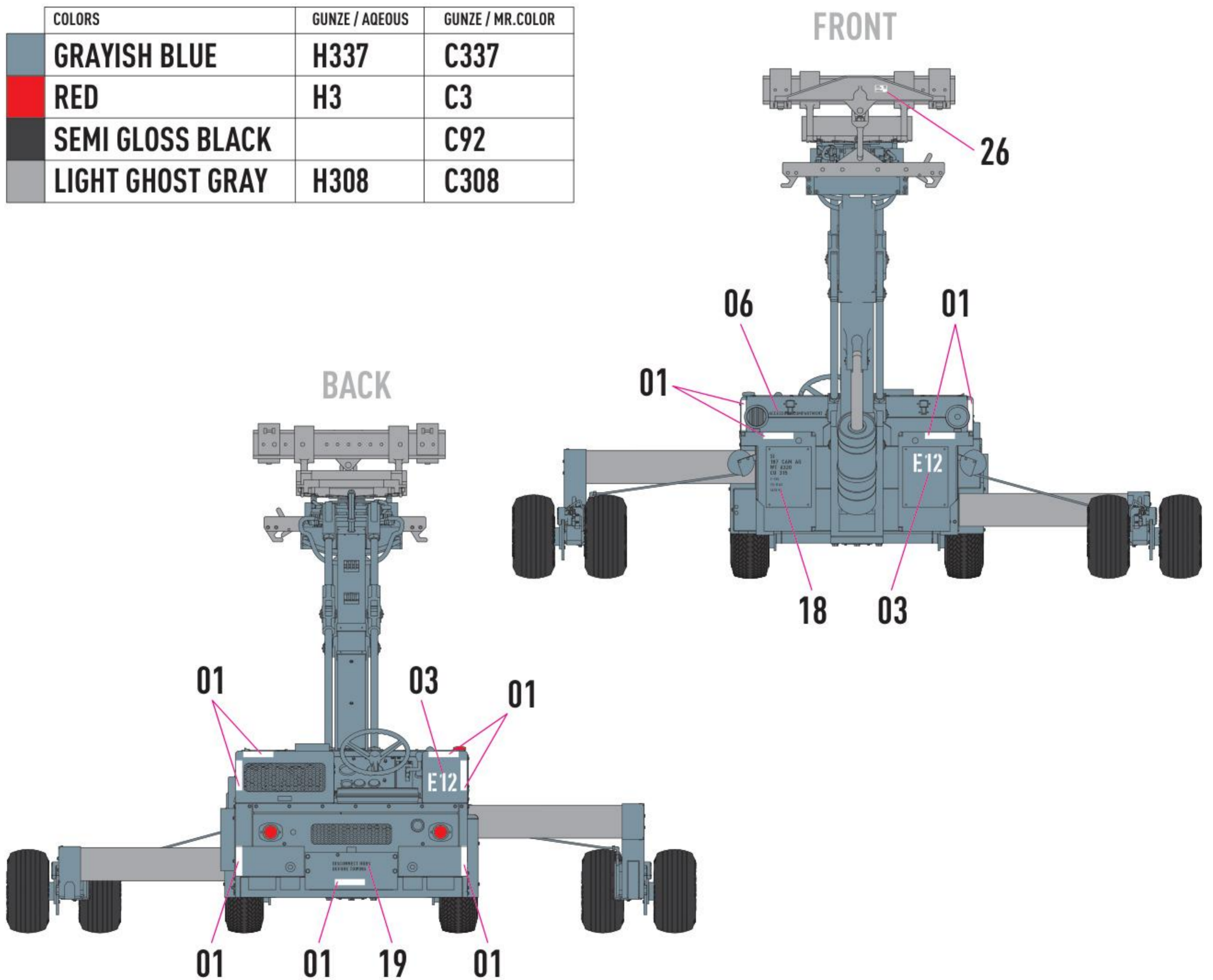
26

26





COLORS	GUNZE / AQUEOUS	GUNZE / MR.COLOR
GRAYISH BLUE	H337	C337
RED	H3	C3
SEMI GLOSS BLACK		C92
LIGHT GHOST GRAY	H308	C308



general issues: info@reskit.com.ua / claim resolution: claims@reskit.com.ua

RESKIT-MODELS.COM

[fb.com/reskit.official](https://www.facebook.com/reskit.official)

[instagram.com/reskit_official](https://www.instagram.com/reskit_official)

[pinterest.com/reskit_official](https://www.pinterest.com/reskit_official)

**YOU CAN FIND INSTRUCTIONS
IN PDF FORMAT ON THE WEBSITE**

RESKIT-MODELS.COM

General Issues: info@reskit.com.ua

Wholesales: sales@reskit.com.ua

Claim Resolution: claims@reskit.com.ua