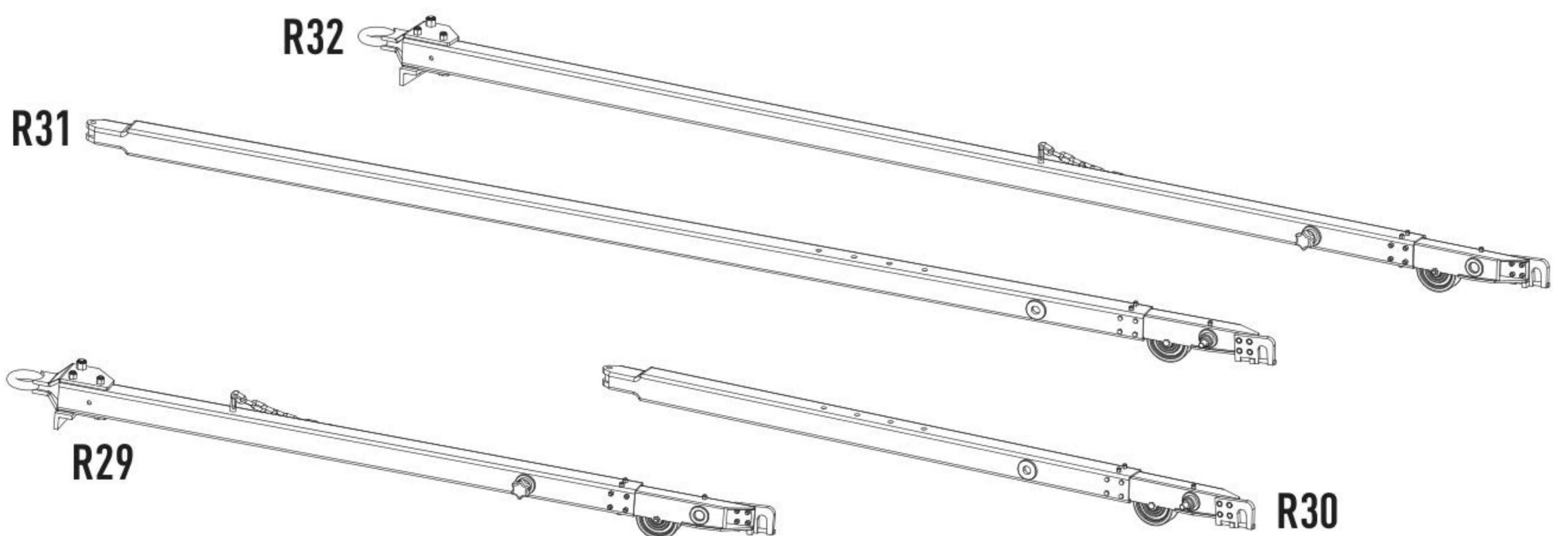
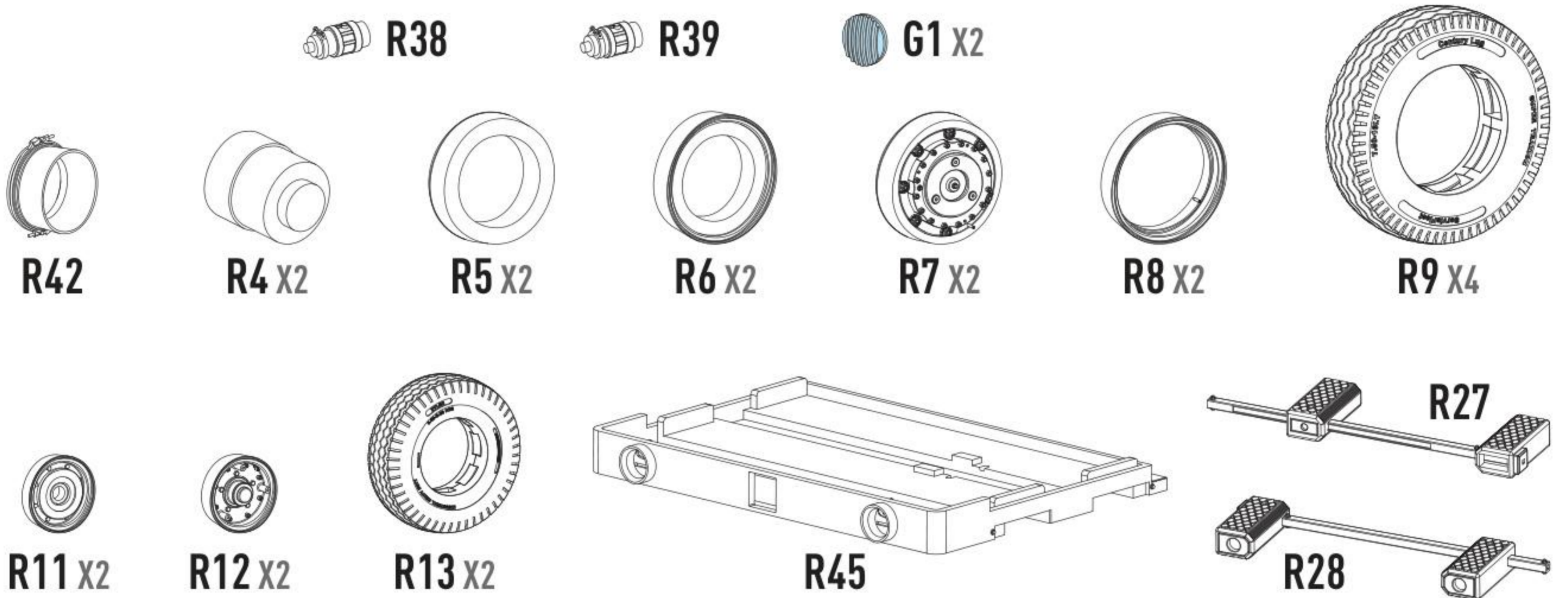
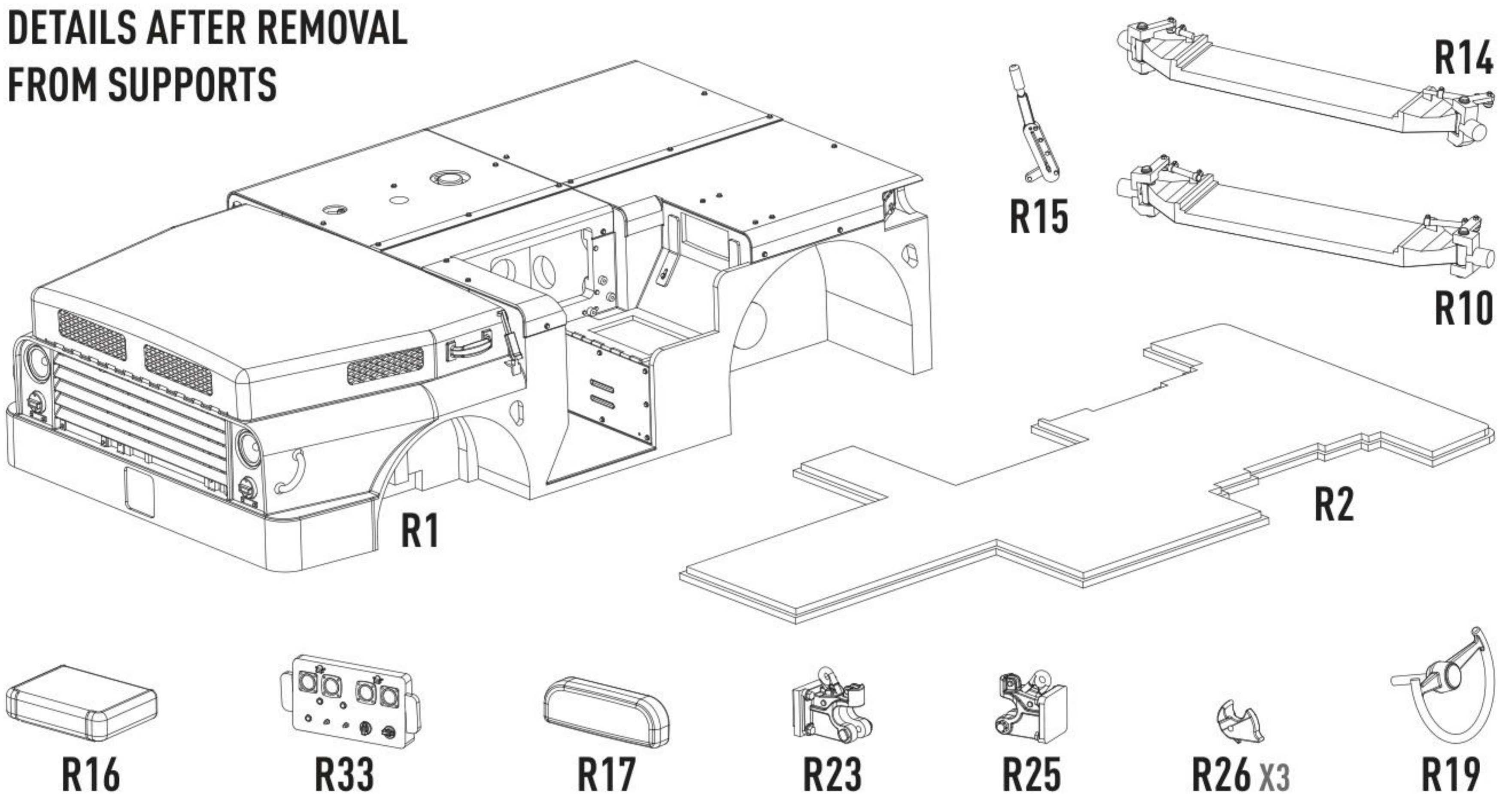
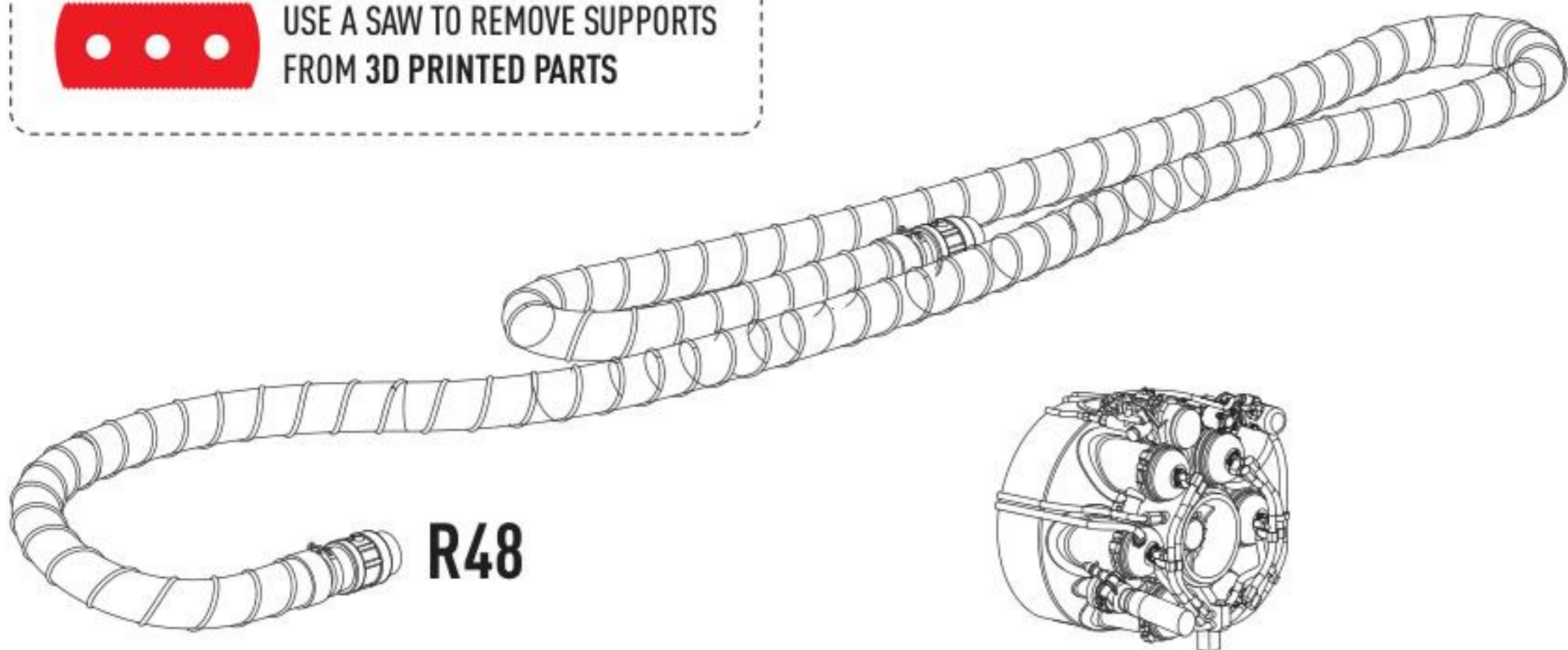


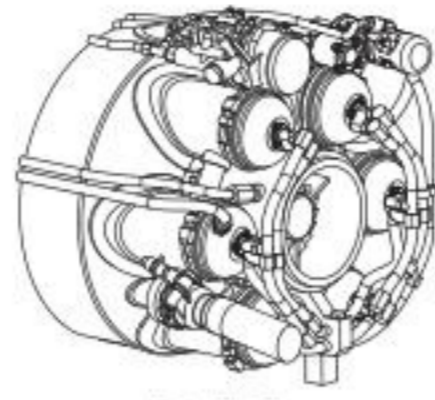
**DETAILS AFTER REMOVAL
FROM SUPPORTS**



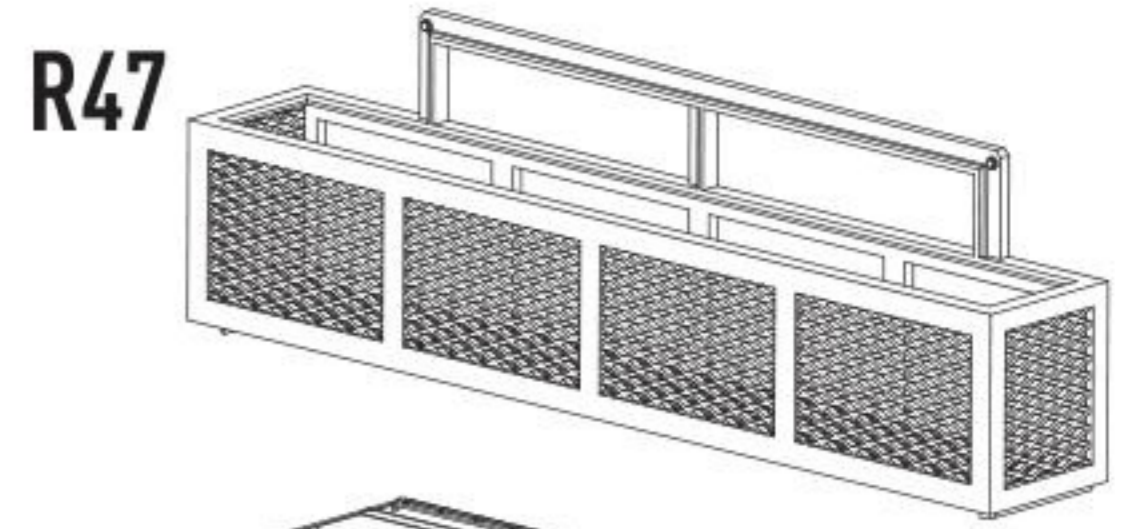
 USE A SAW TO REMOVE SUPPORTS FROM 3D PRINTED PARTS



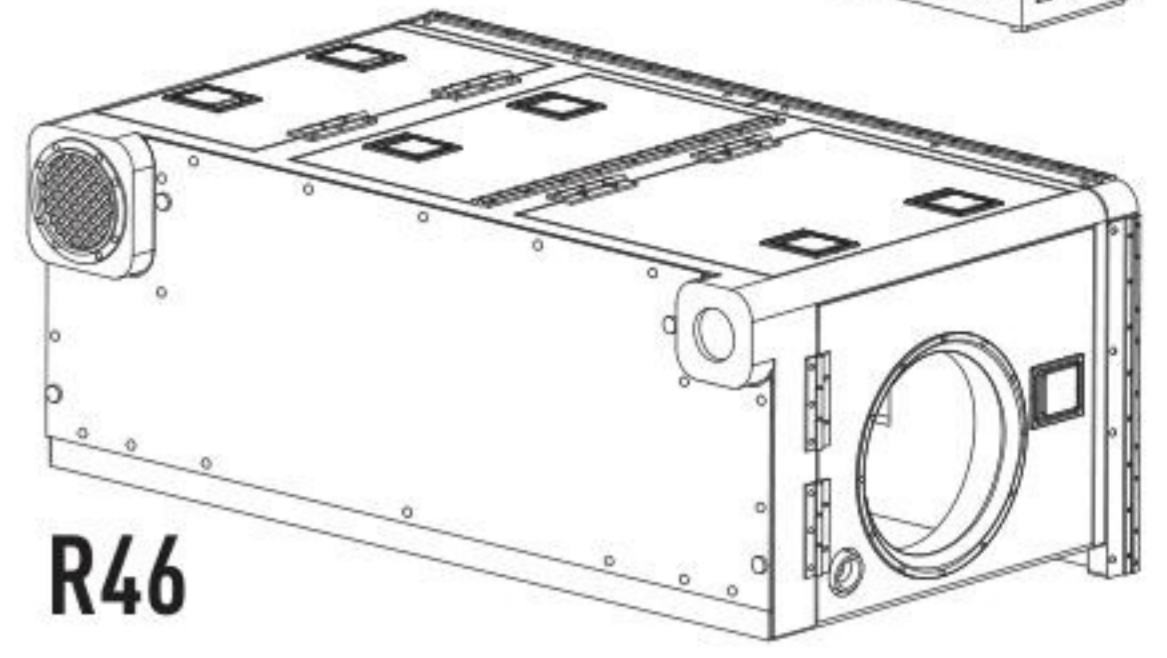
R48



R41

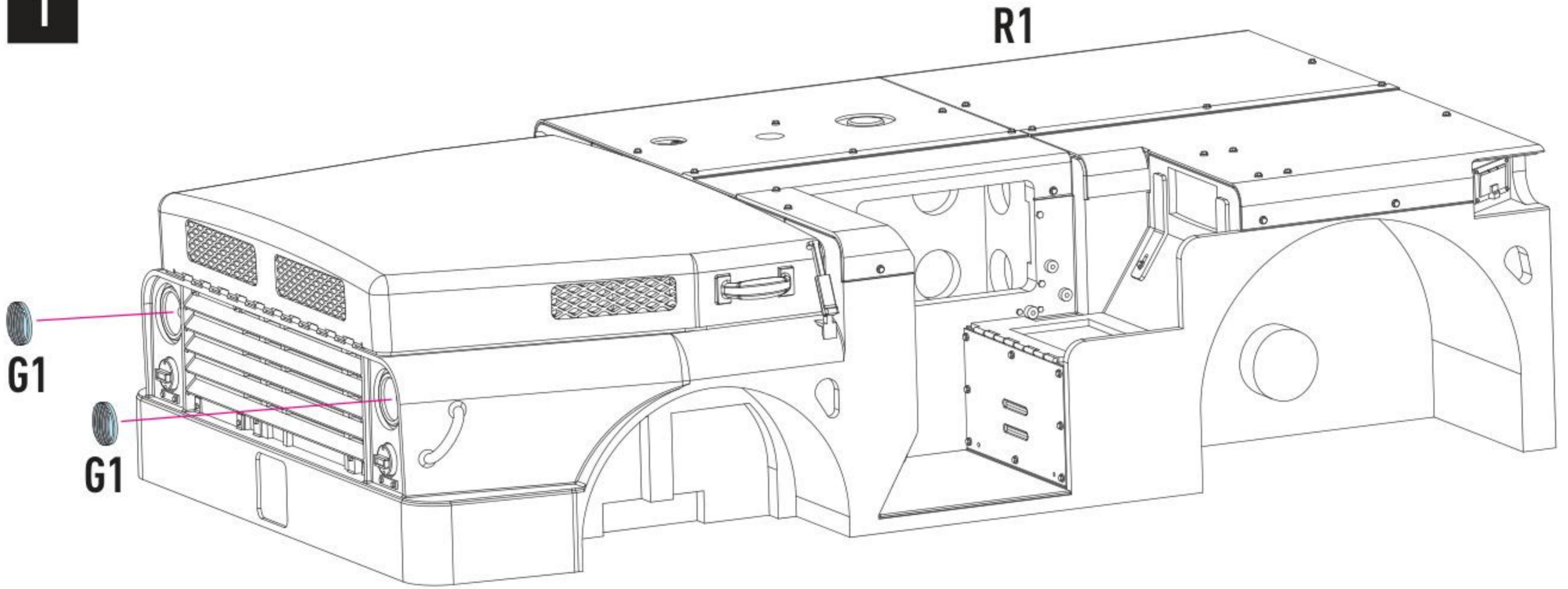


R47



R46

1



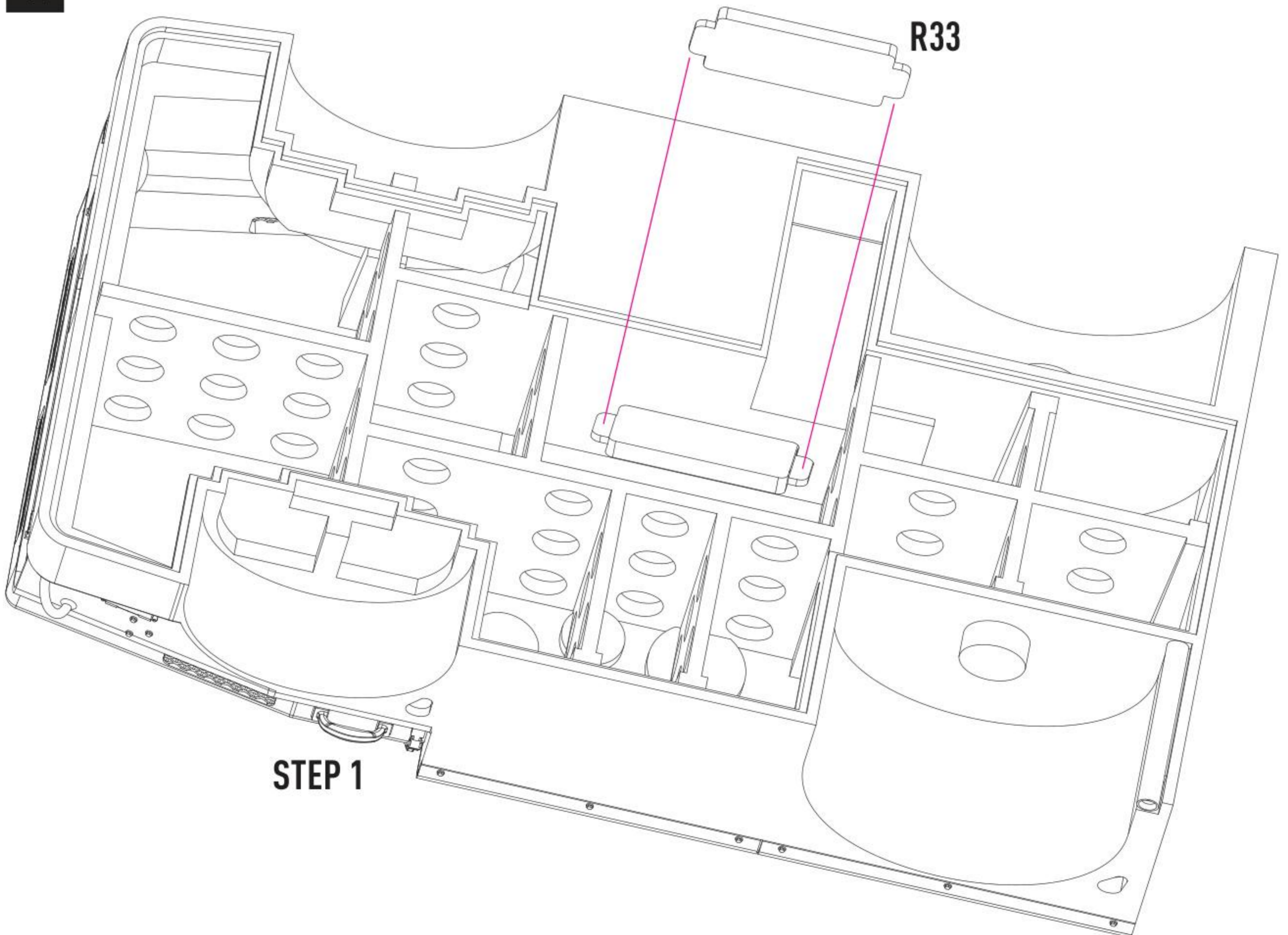
R1

G1

G1

BEFORE ASSEMBLY, COVER TRANSPARENT PARTS WITH GLOSSY VARNISH

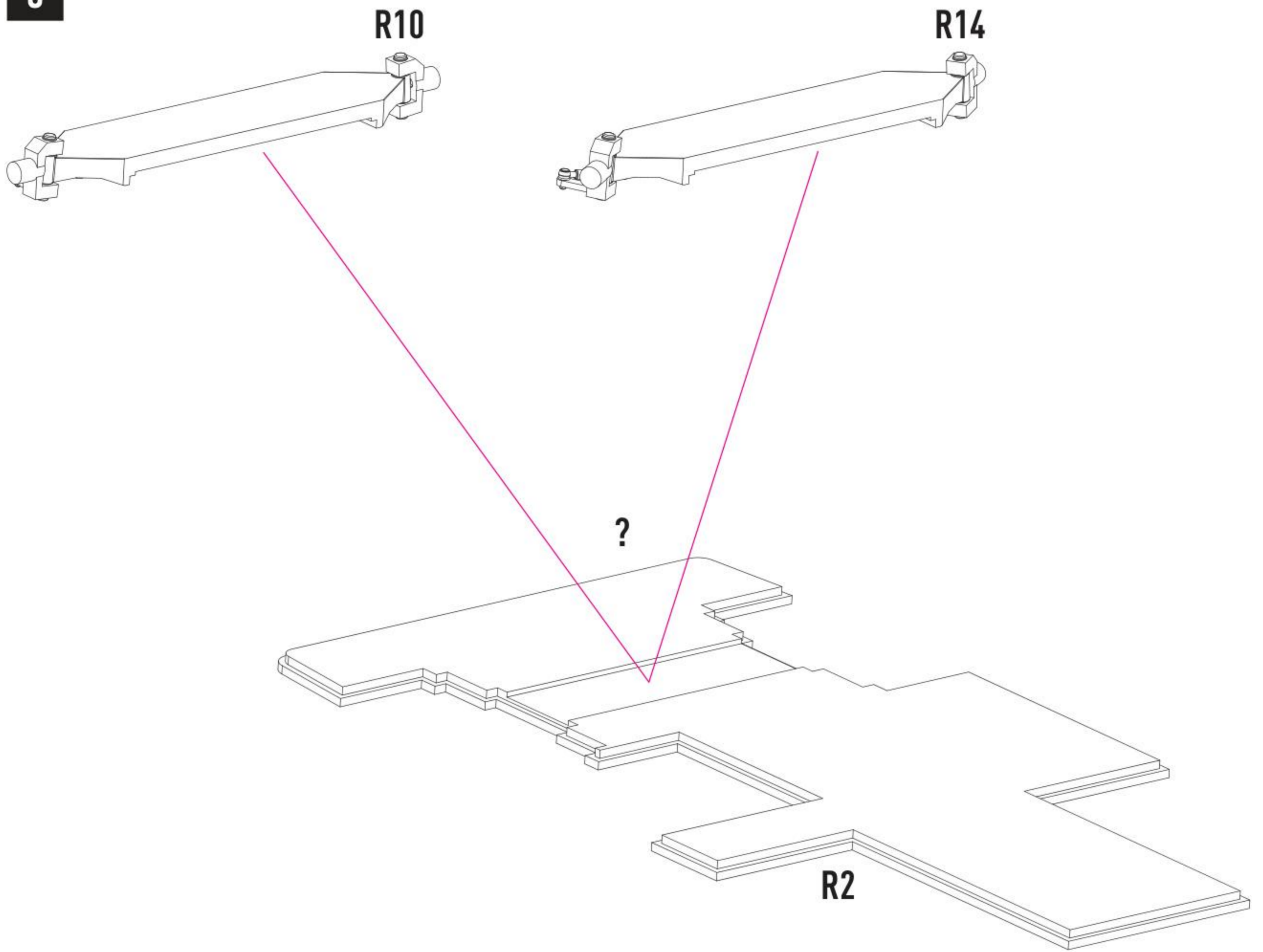
2



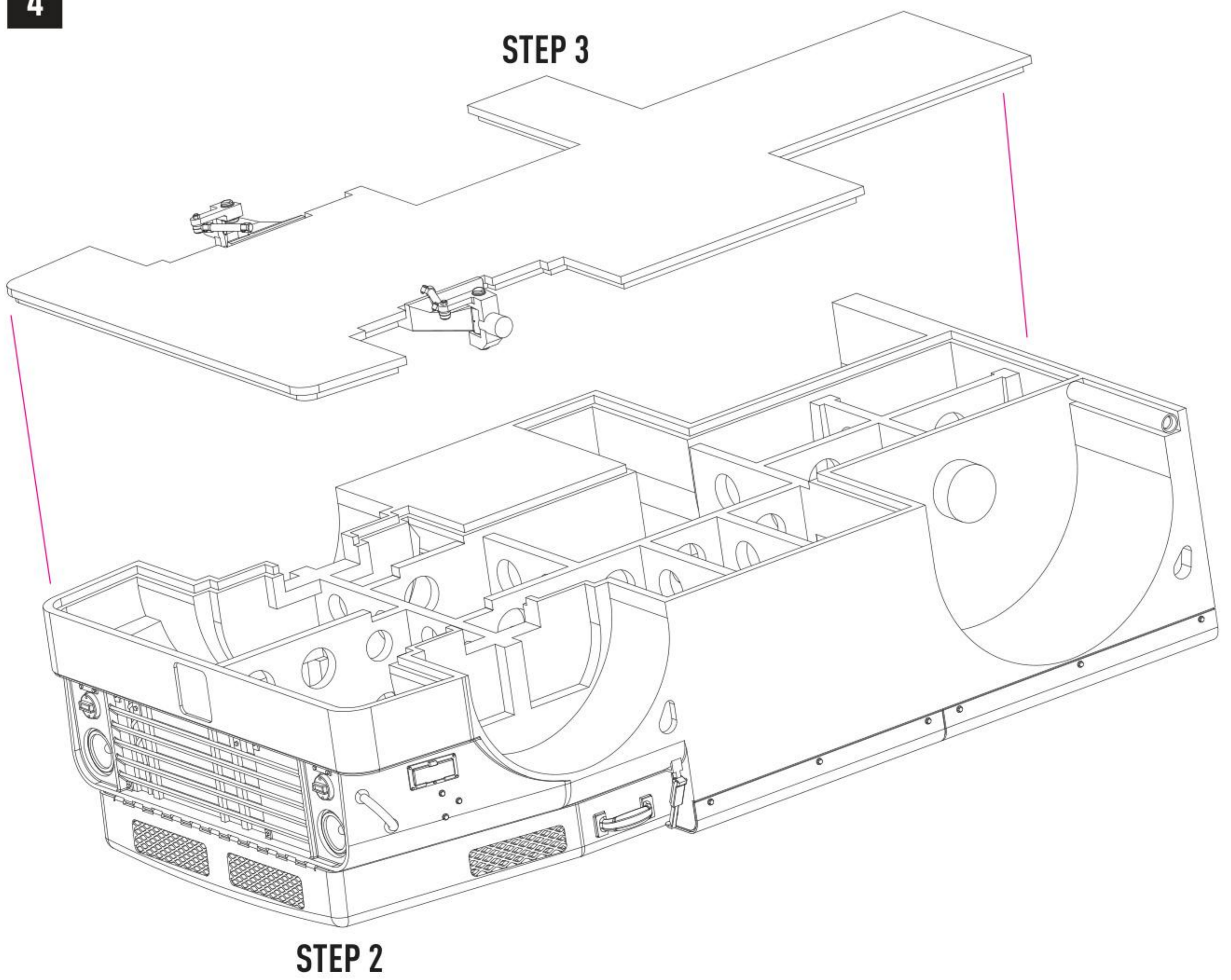
R33

STEP 1

3

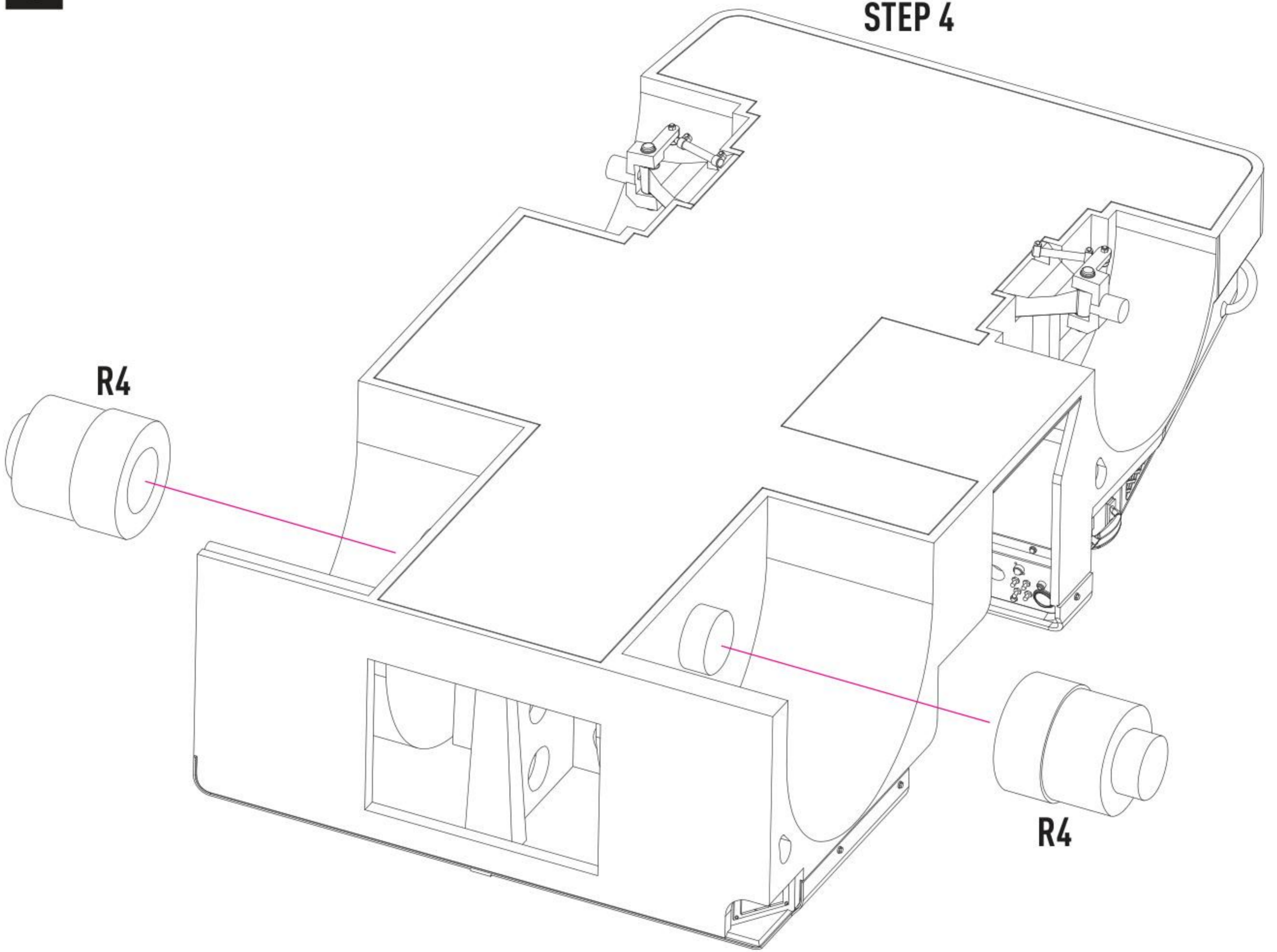


4

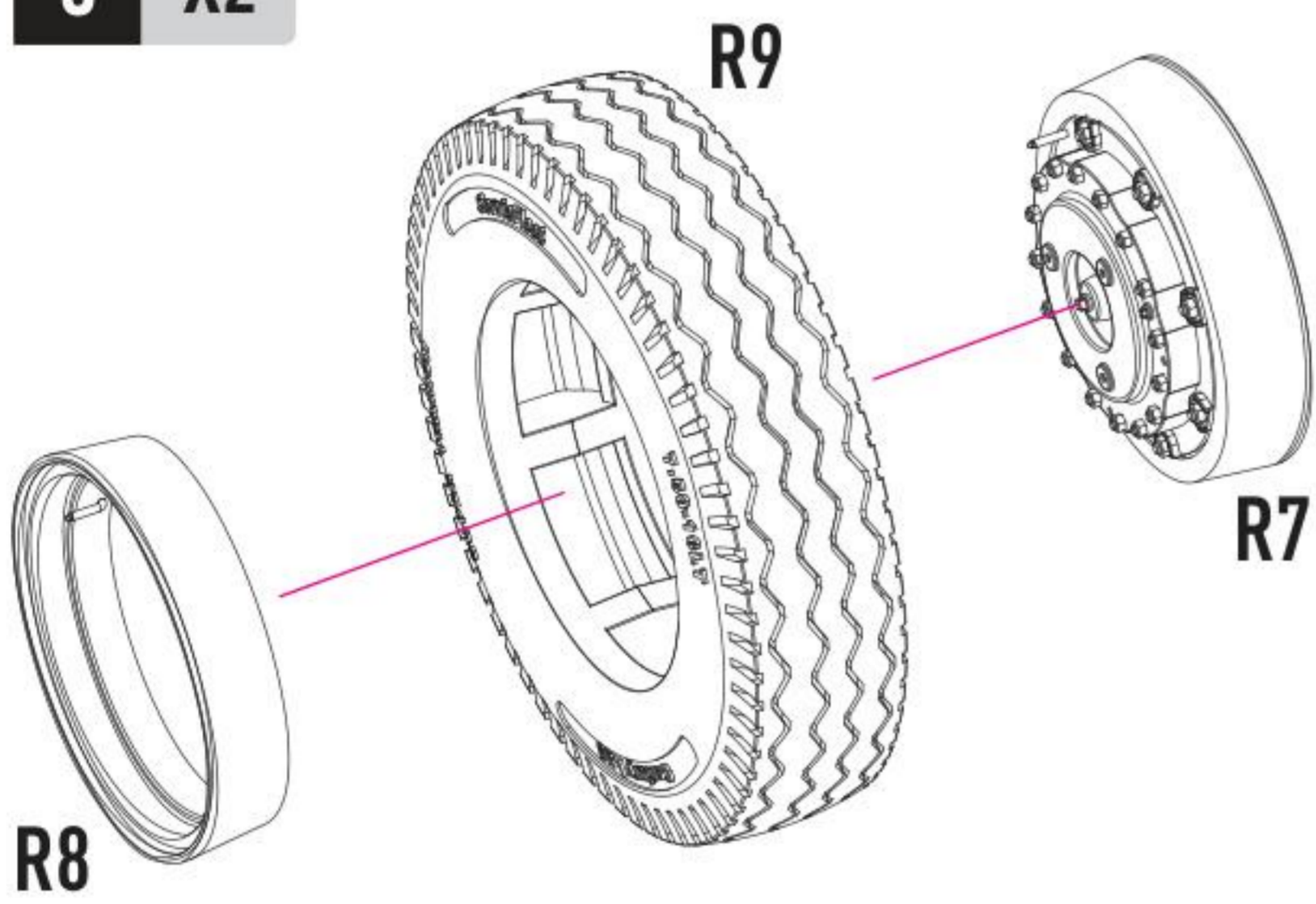


5

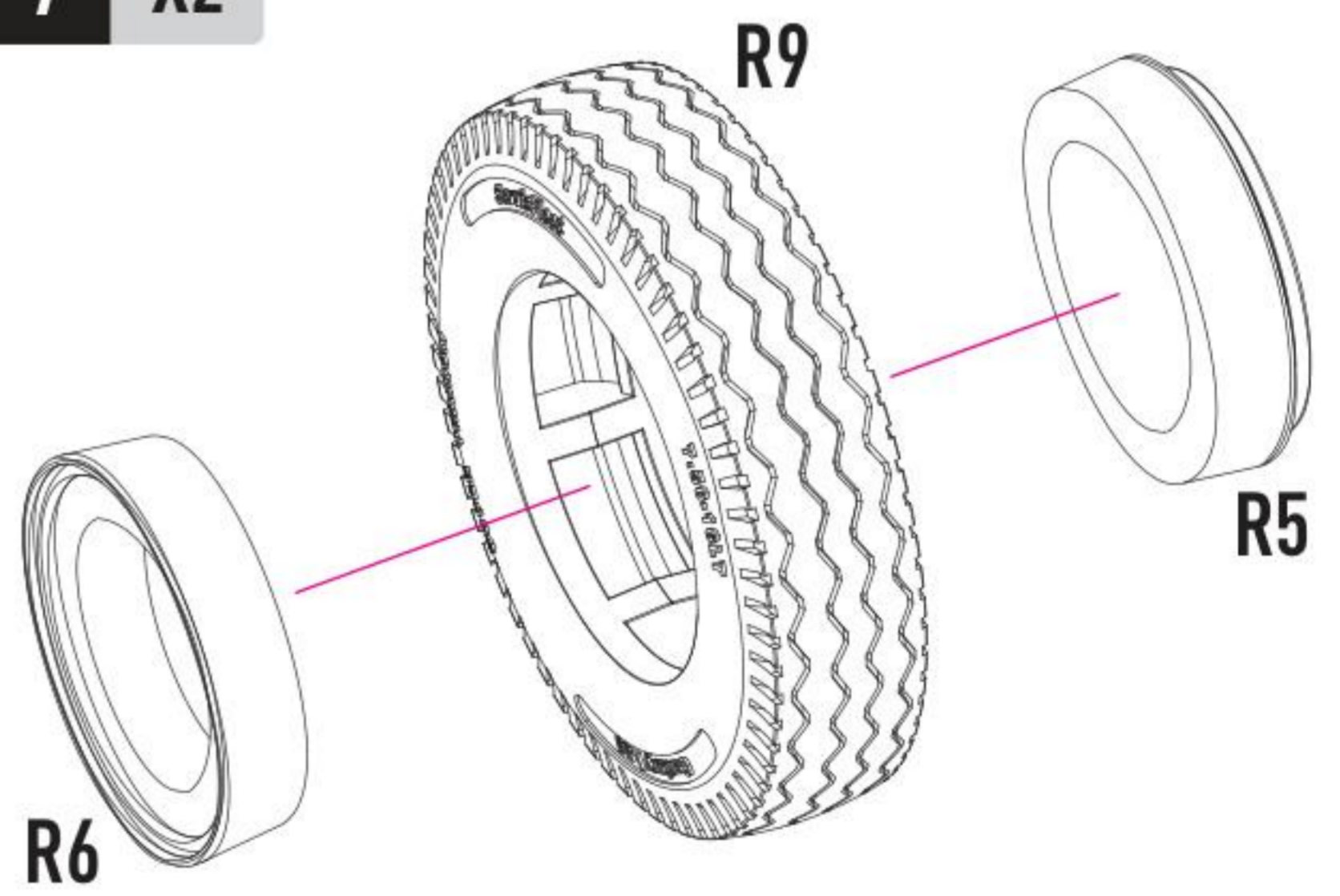
STEP 4



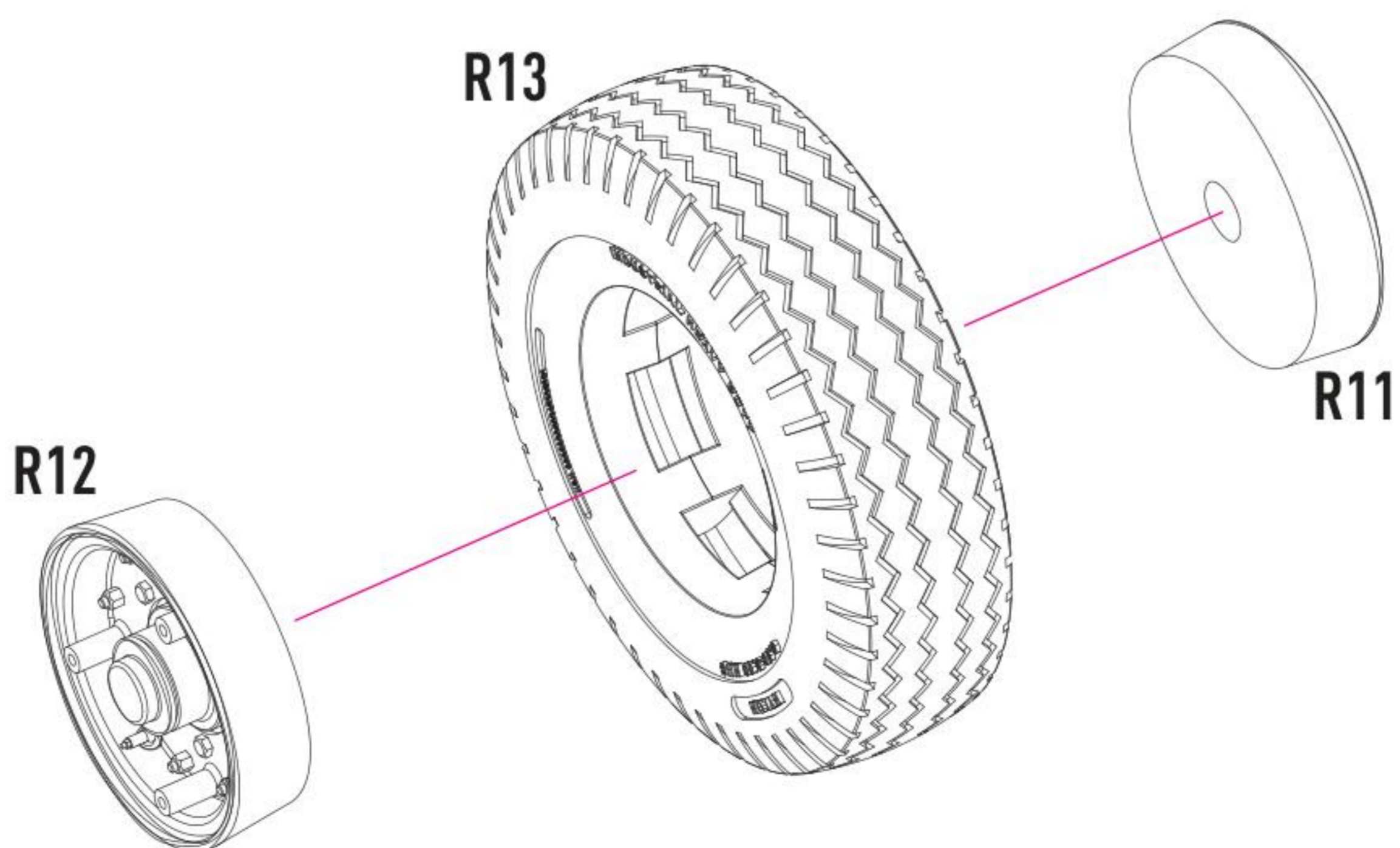
6 X2



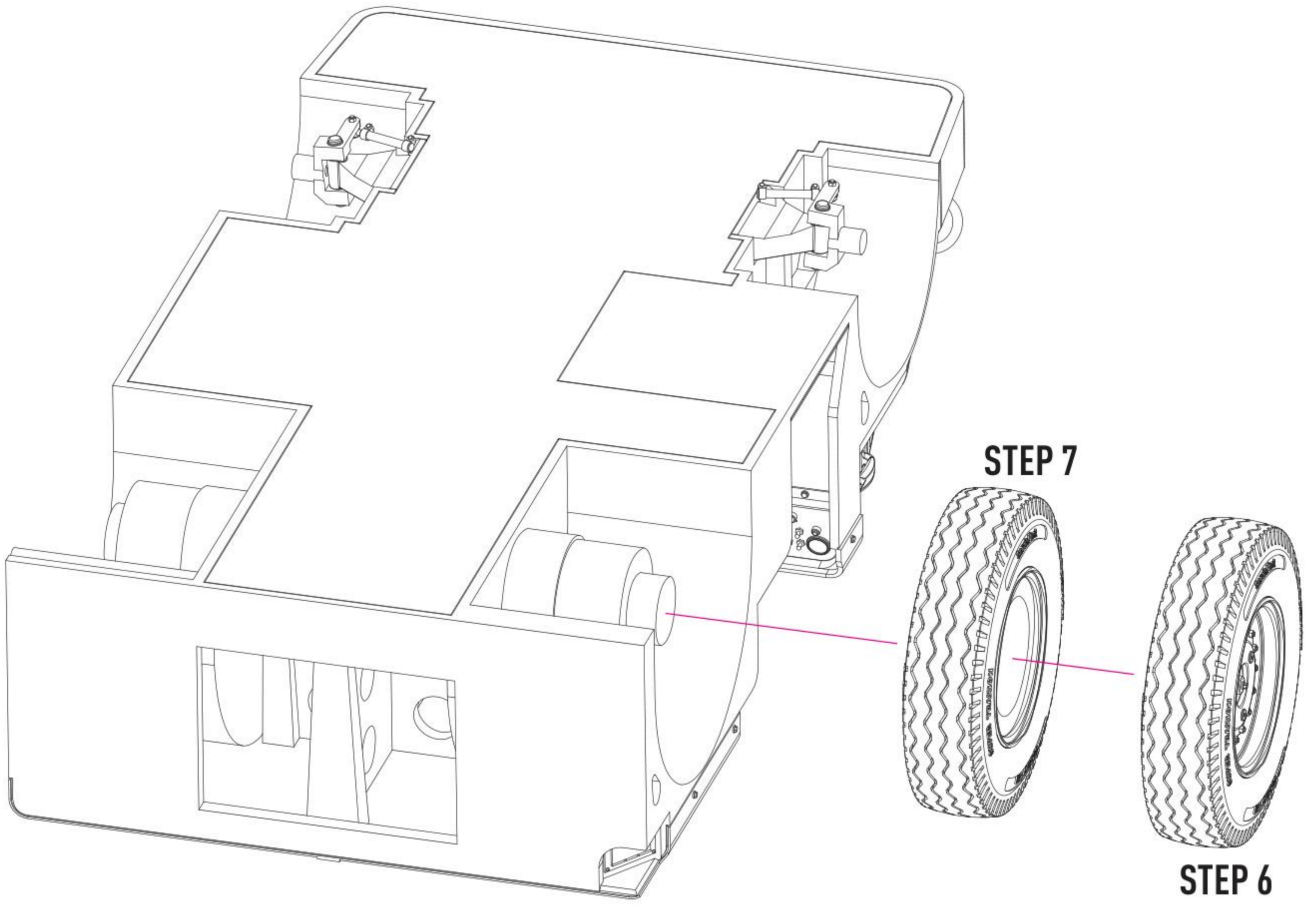
7 X2



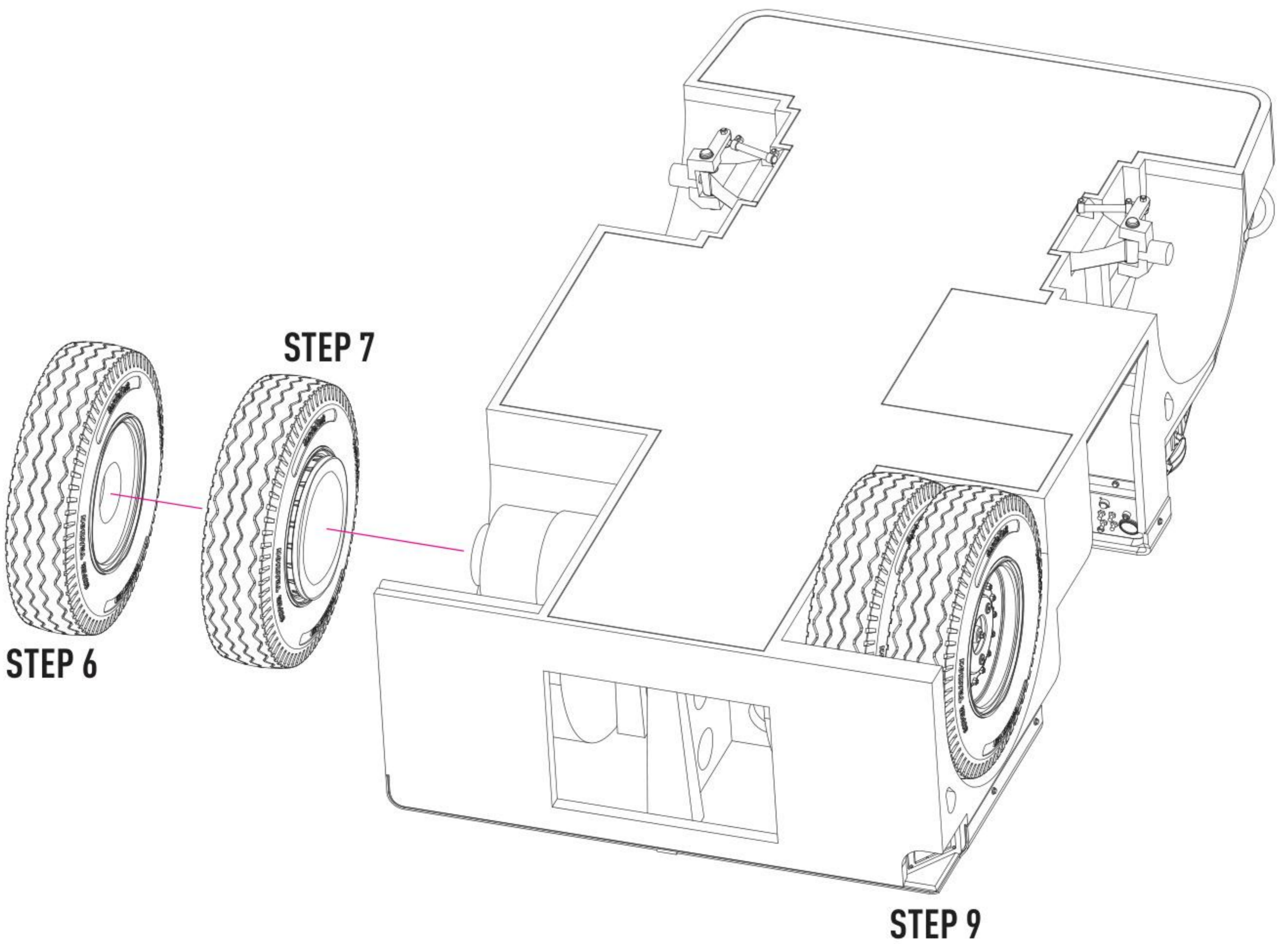
8 X2



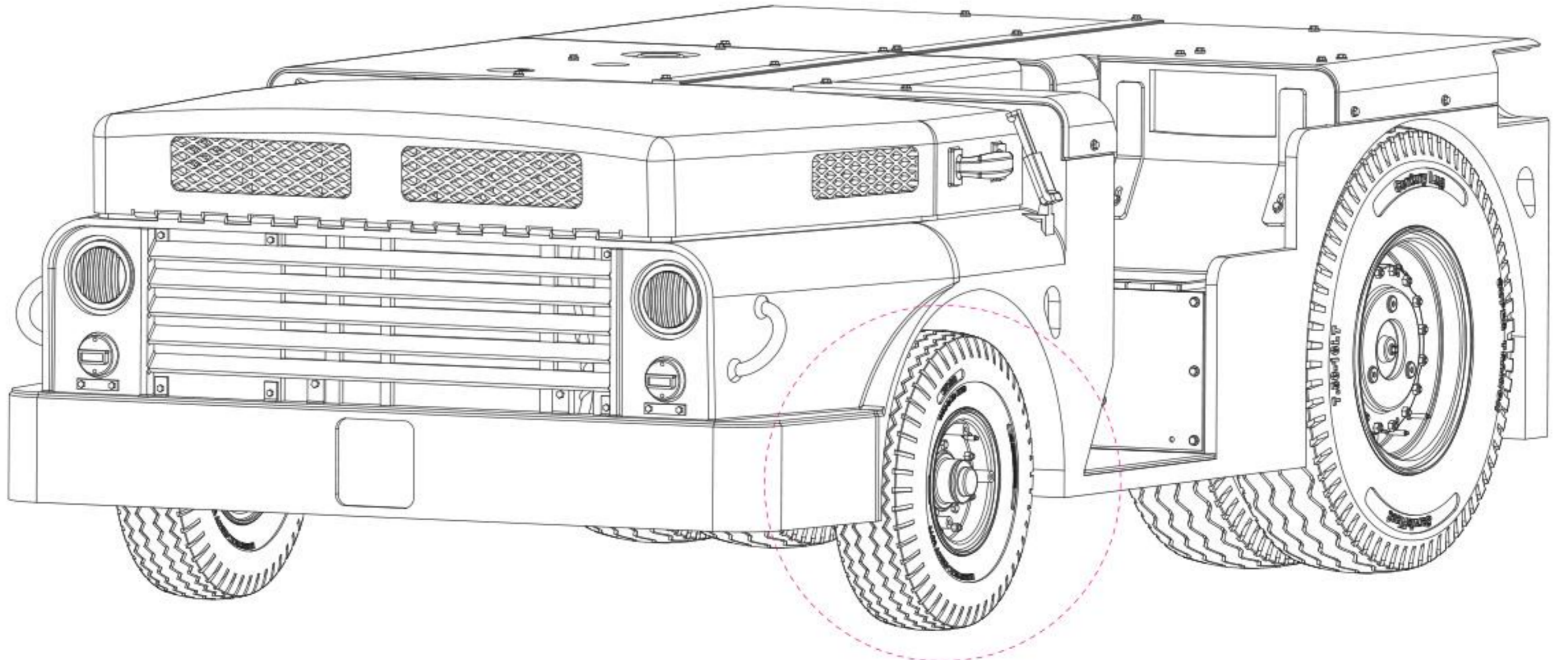
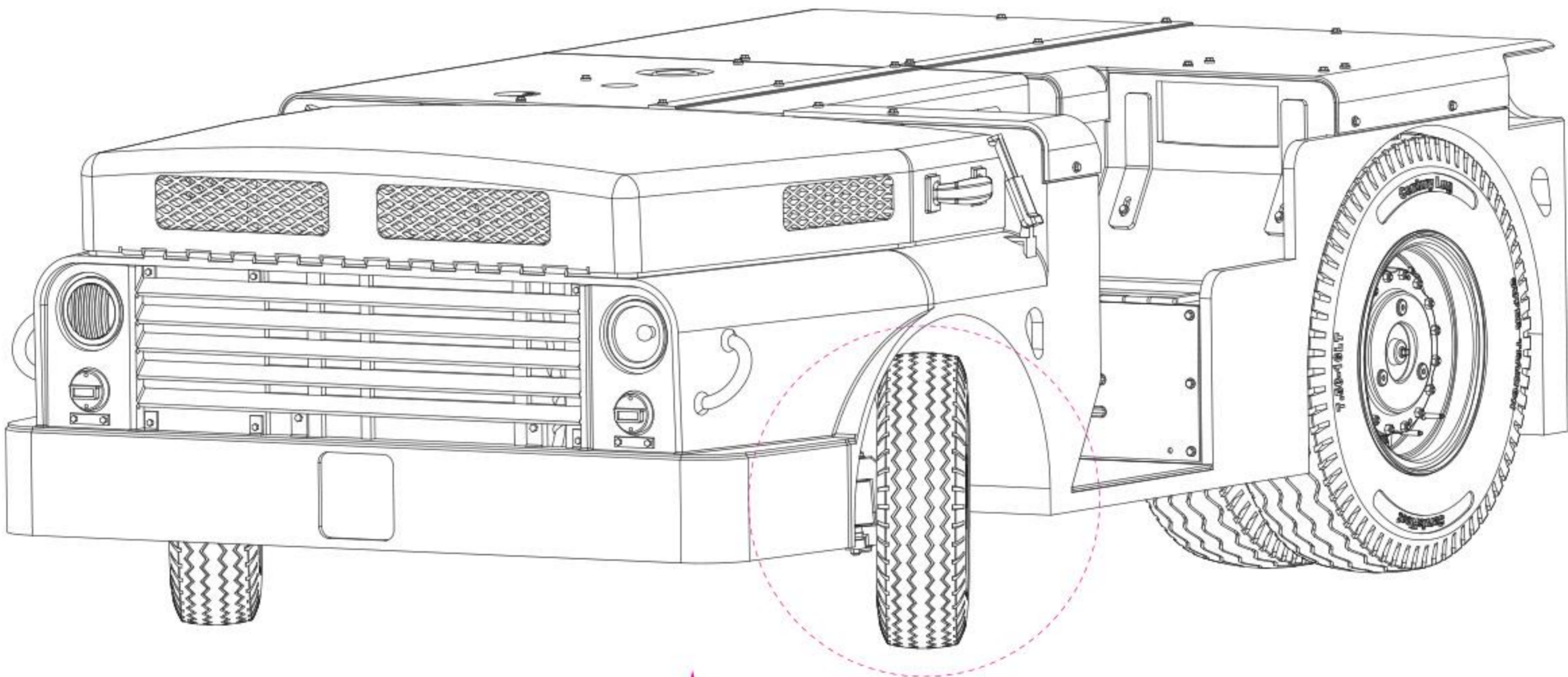
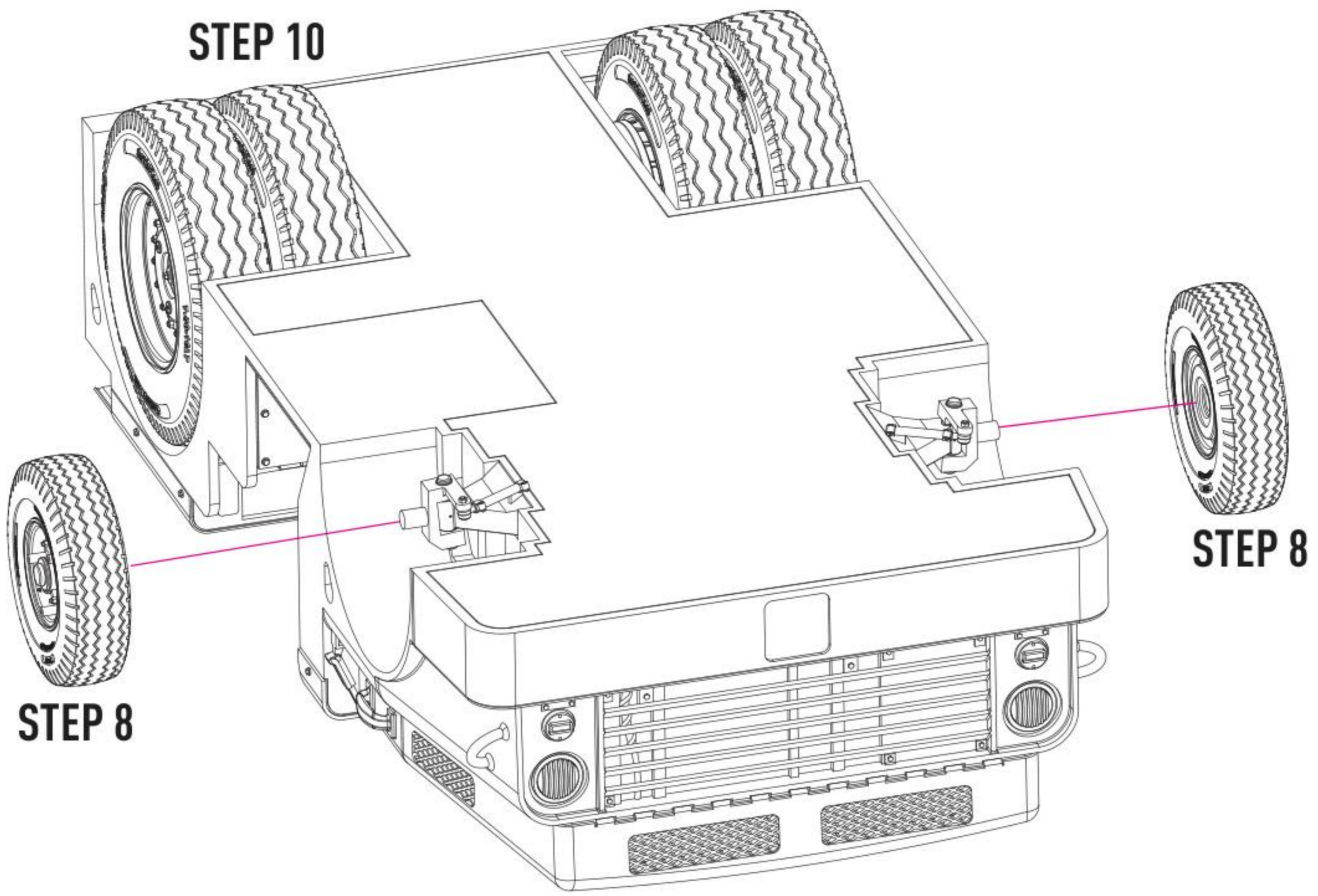
STEP 5



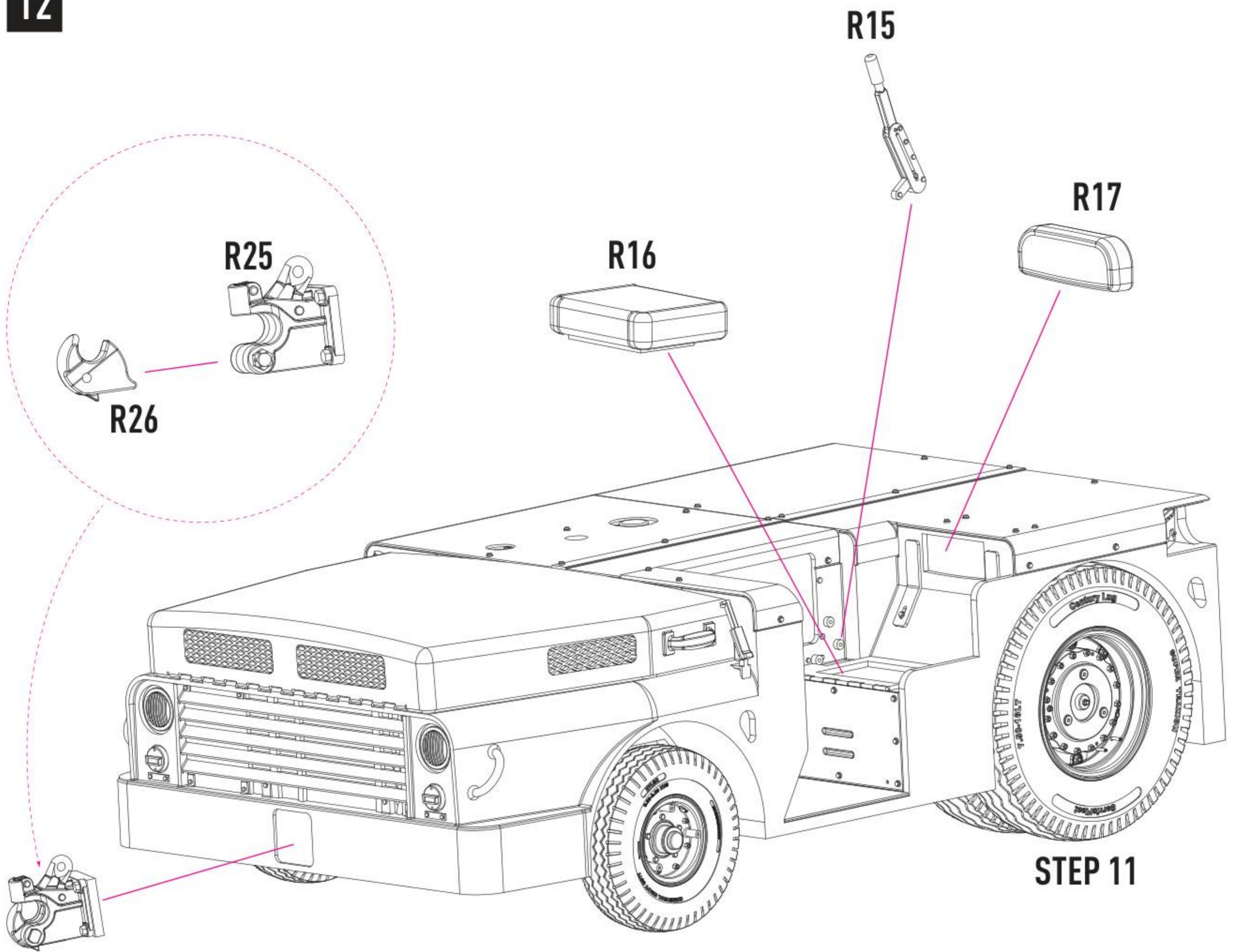
STEP 7



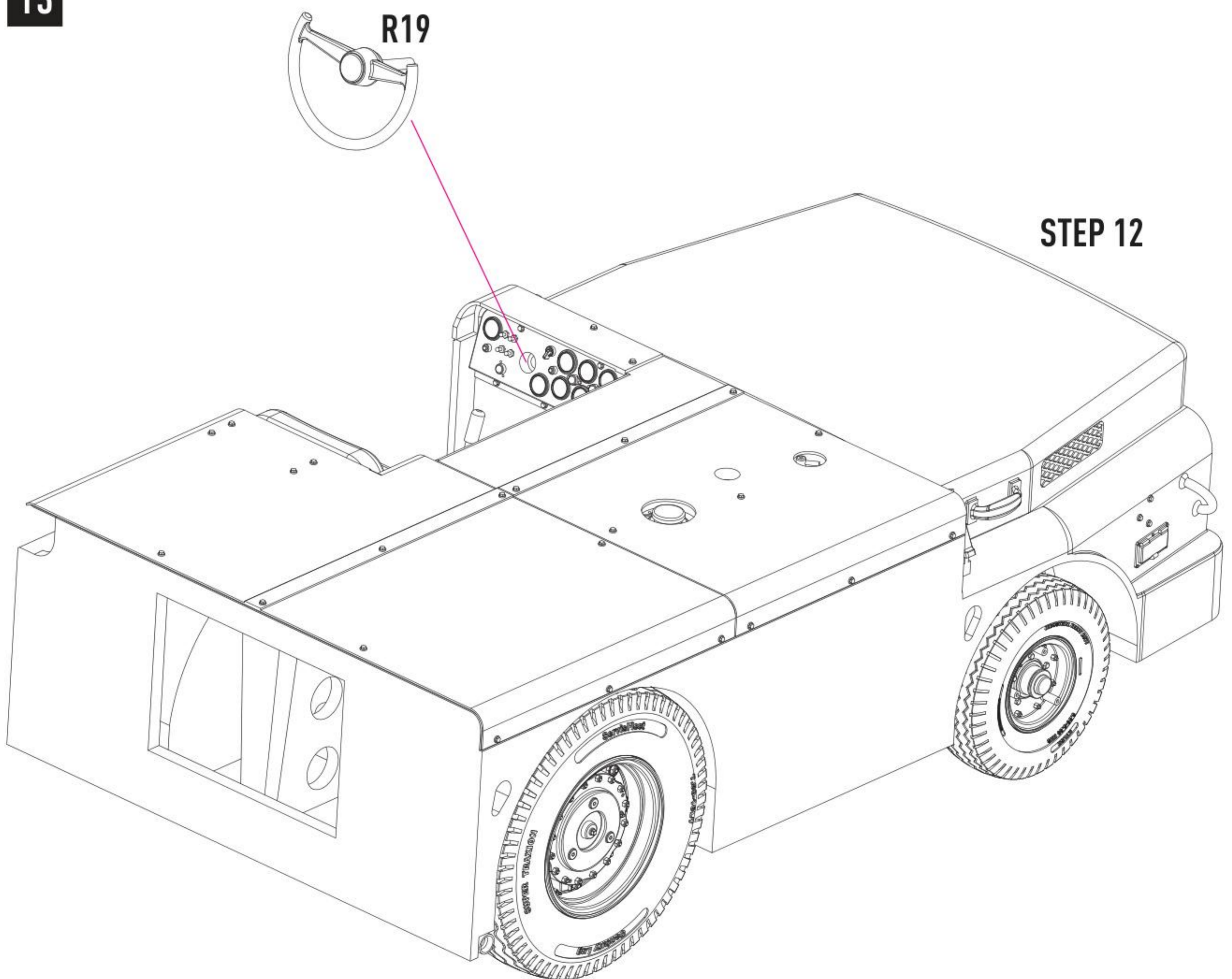
STEP 10

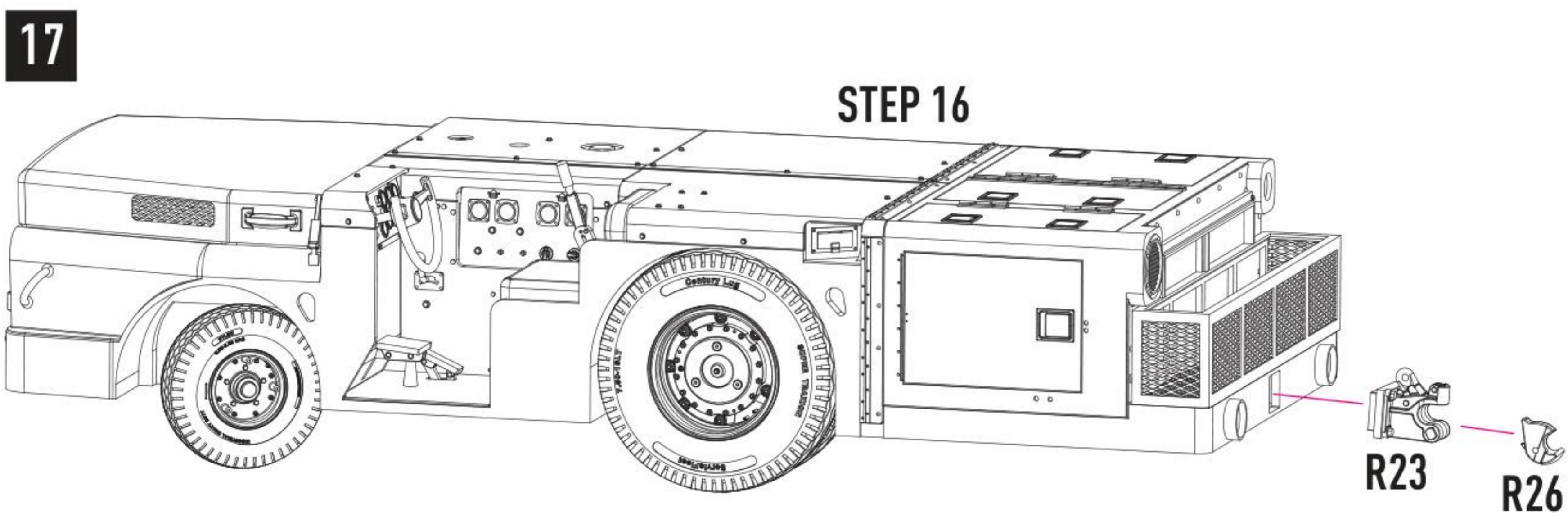
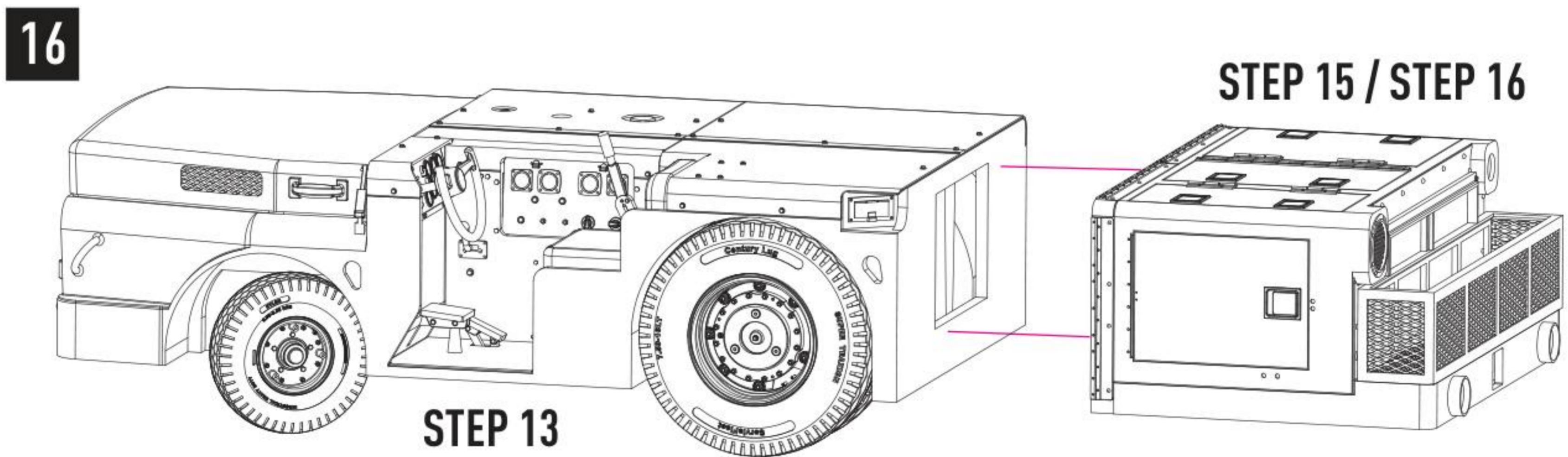
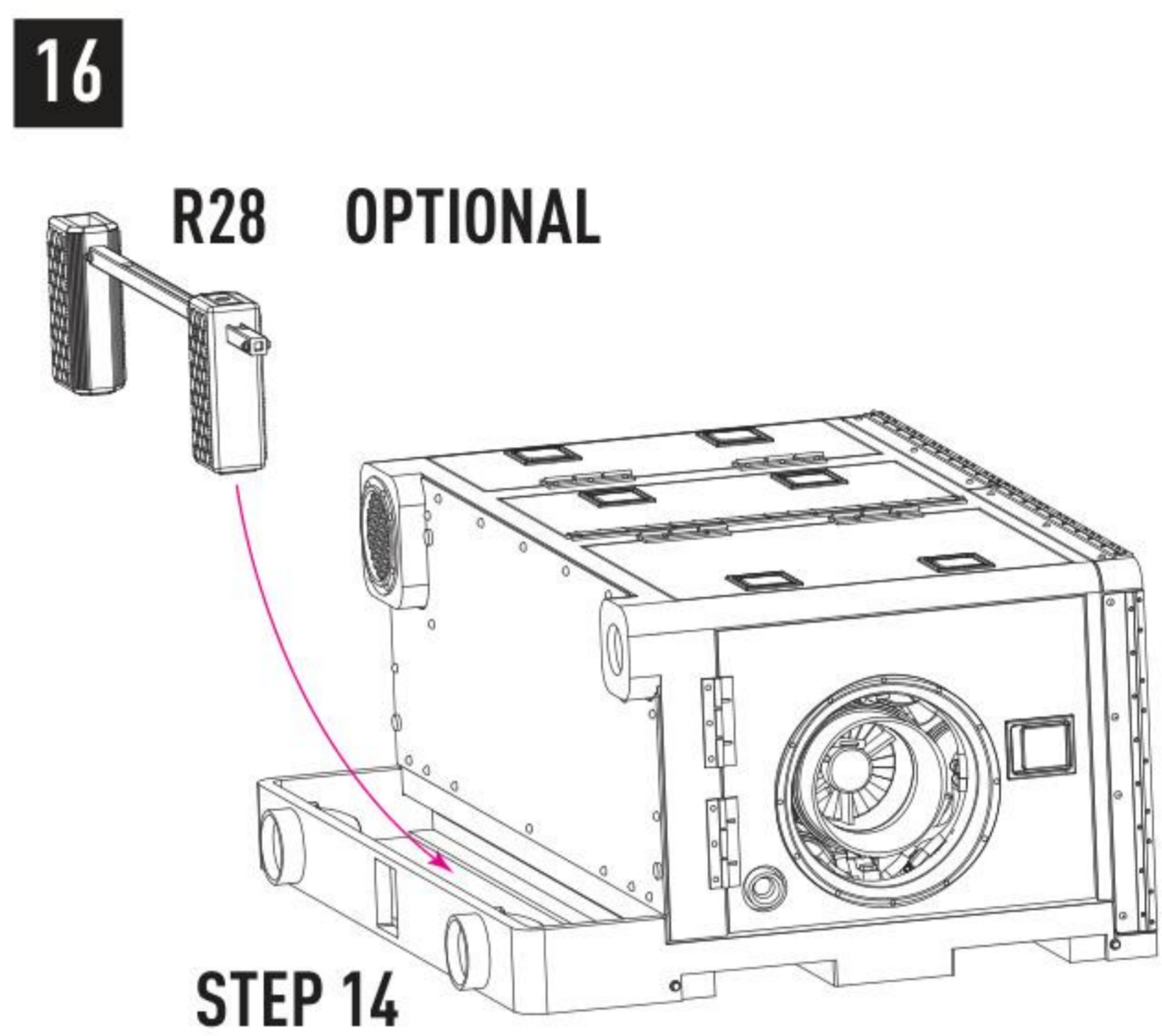
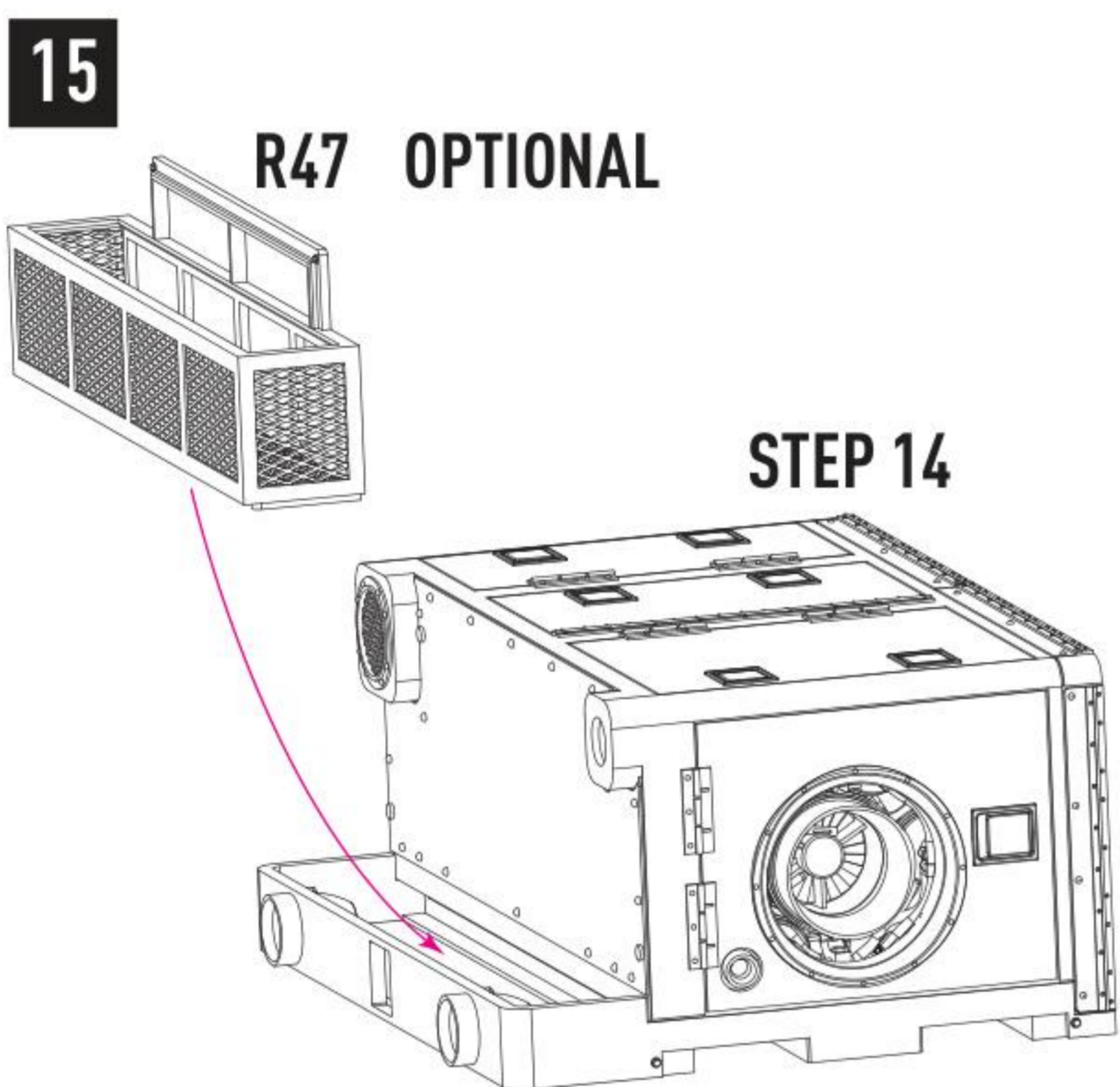
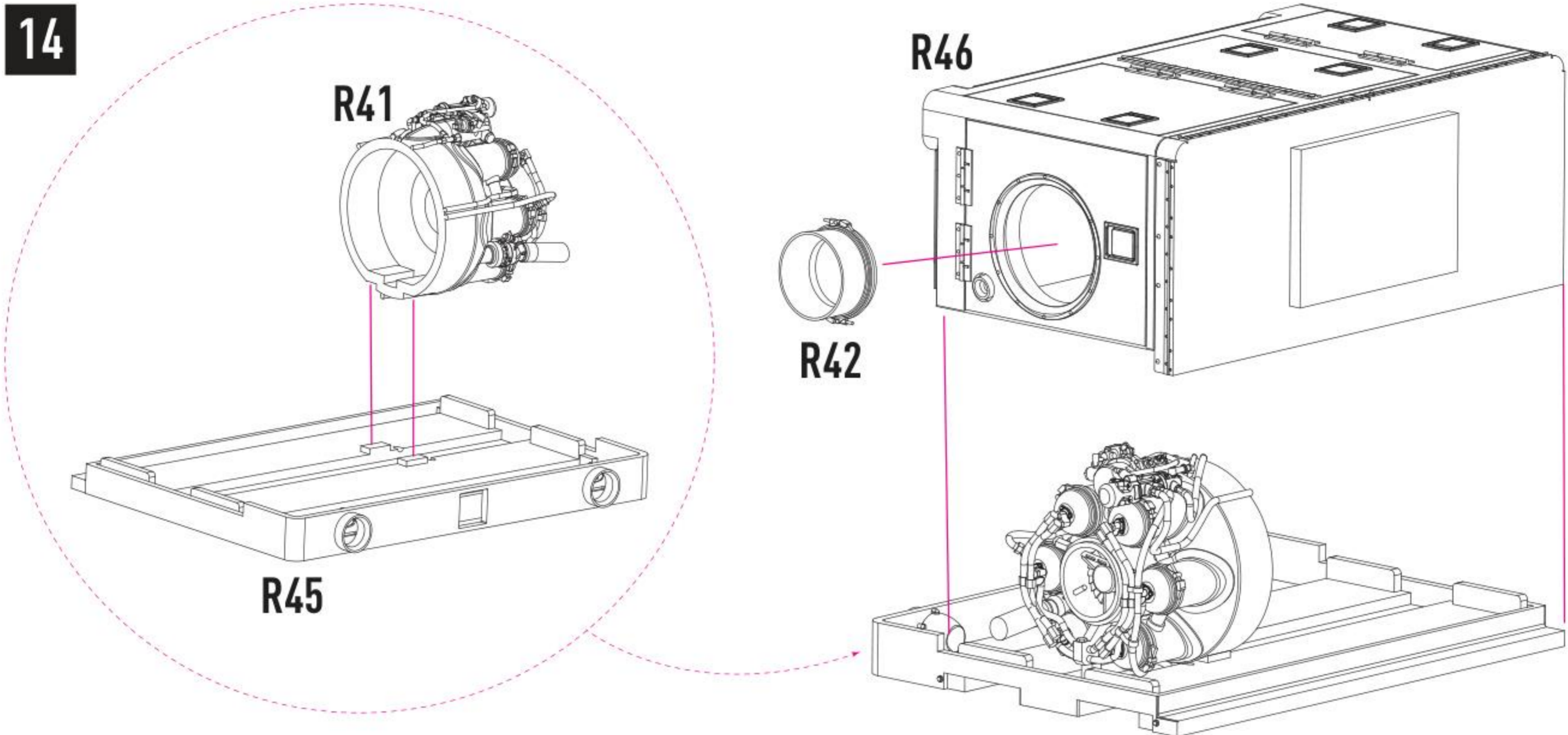


12

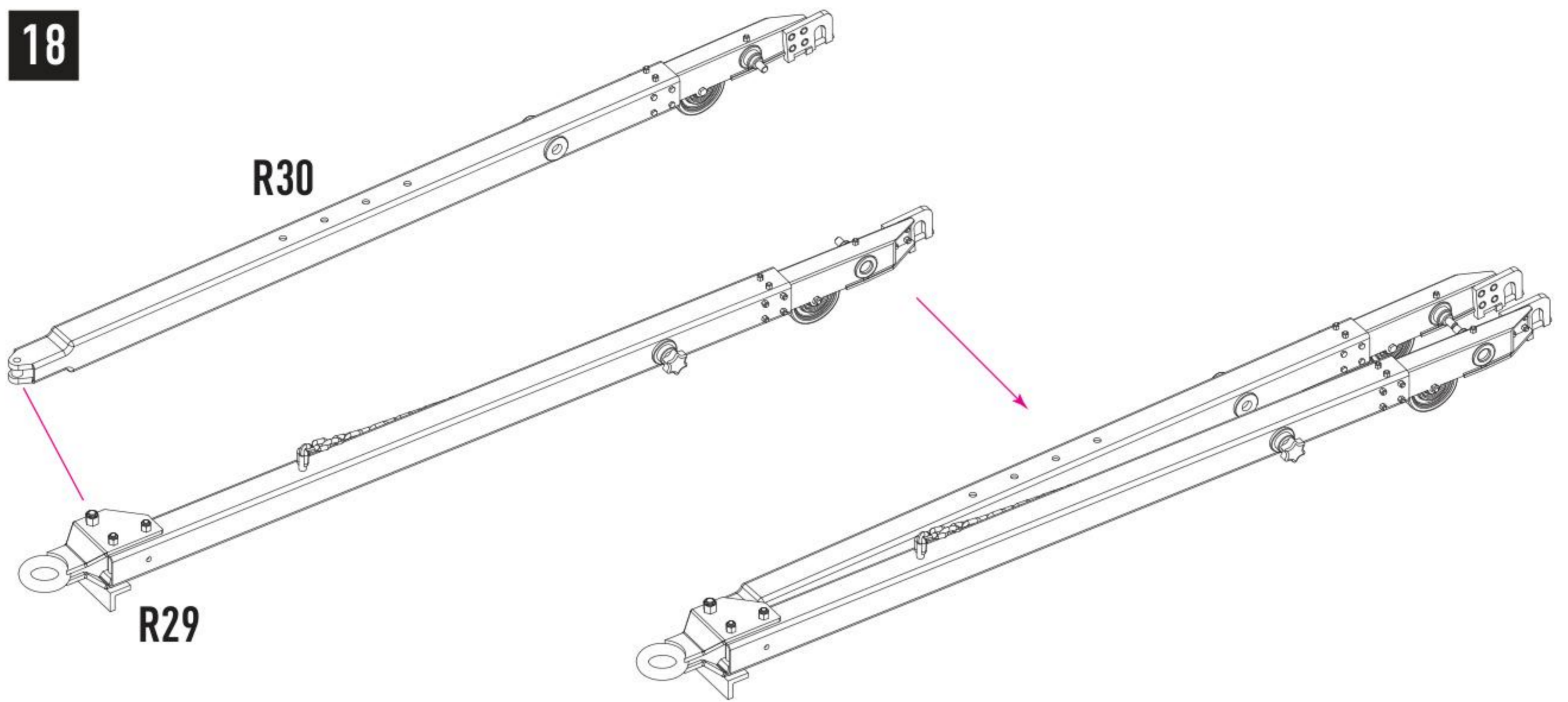


13

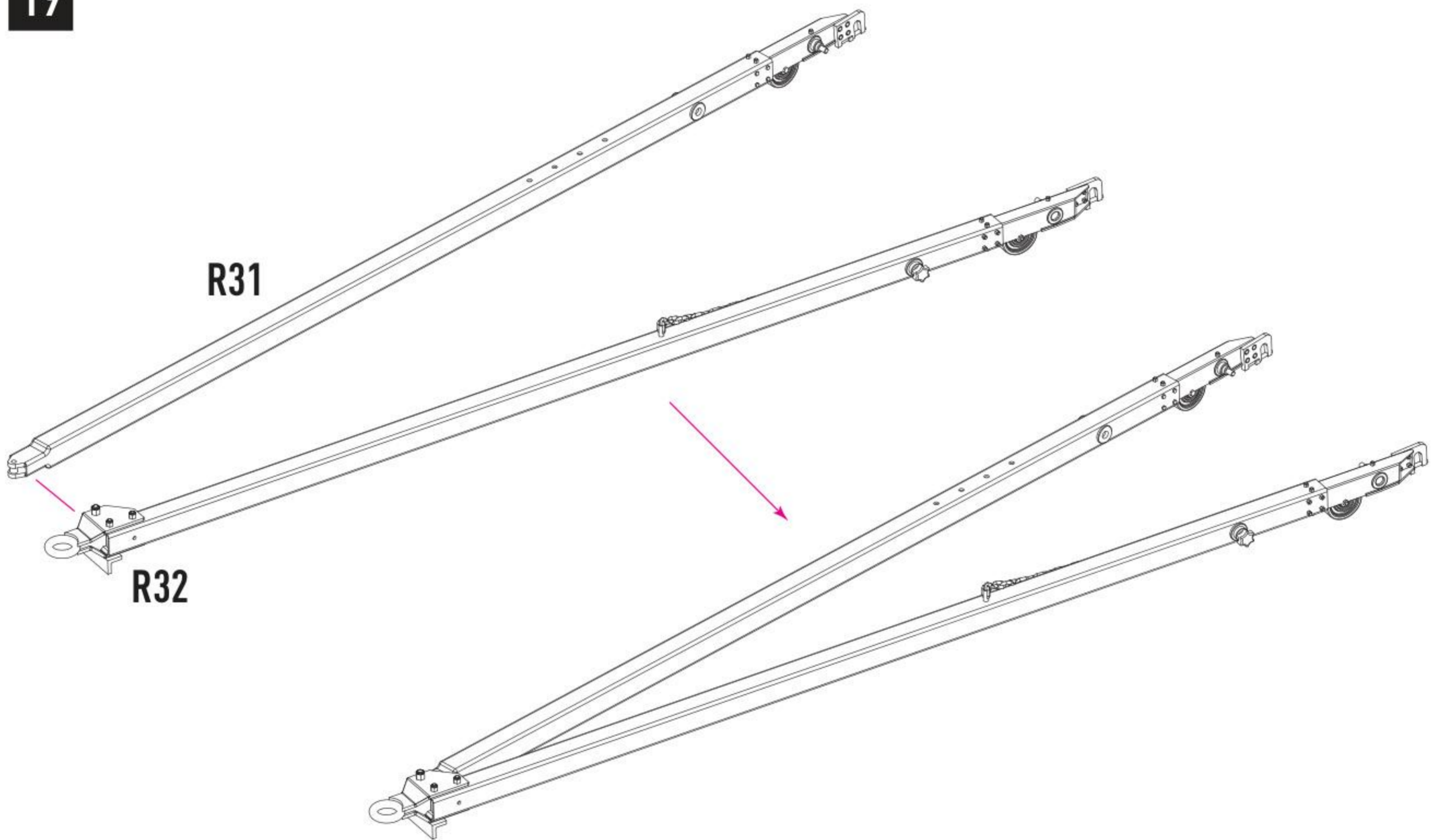




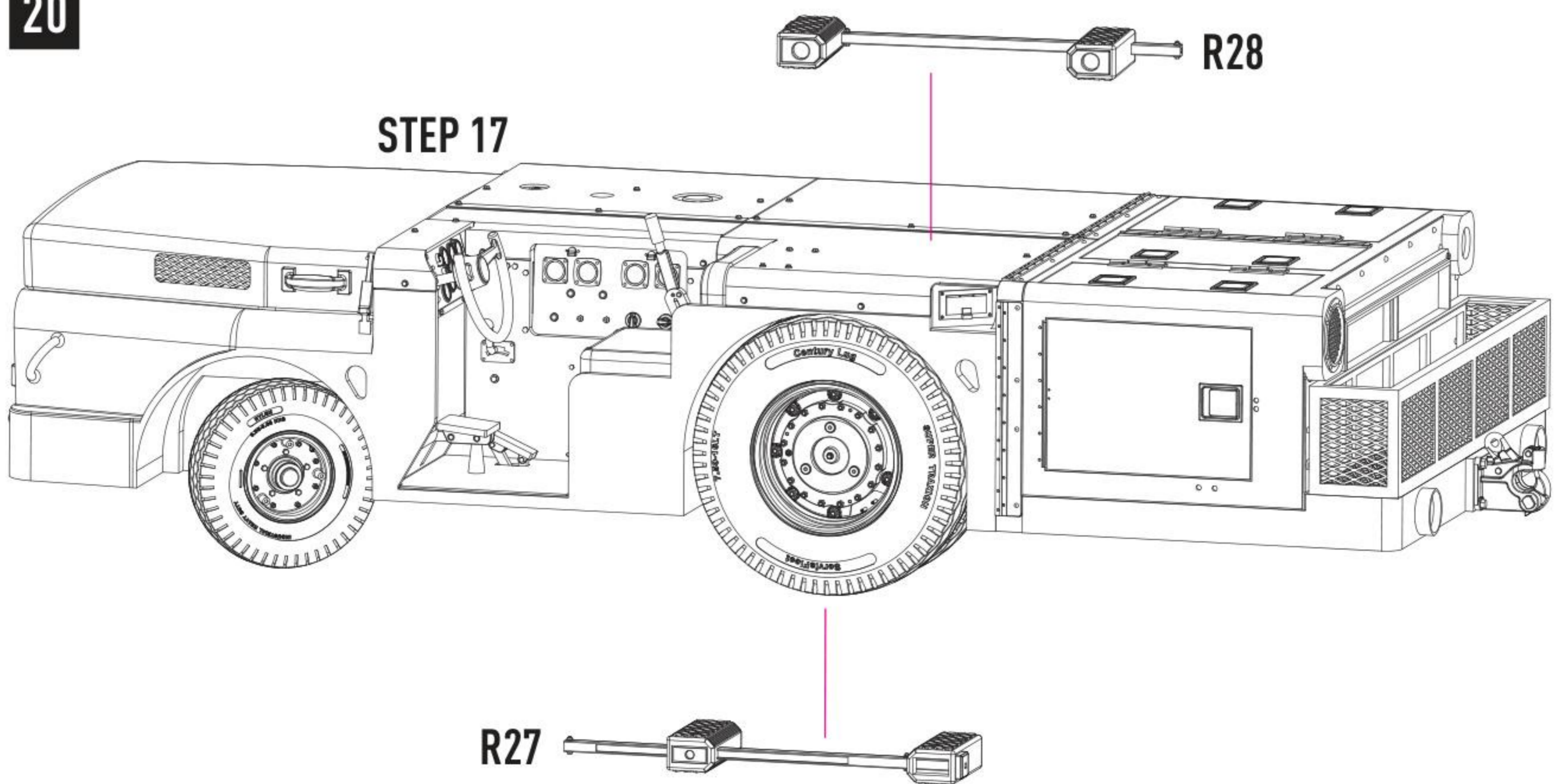
18



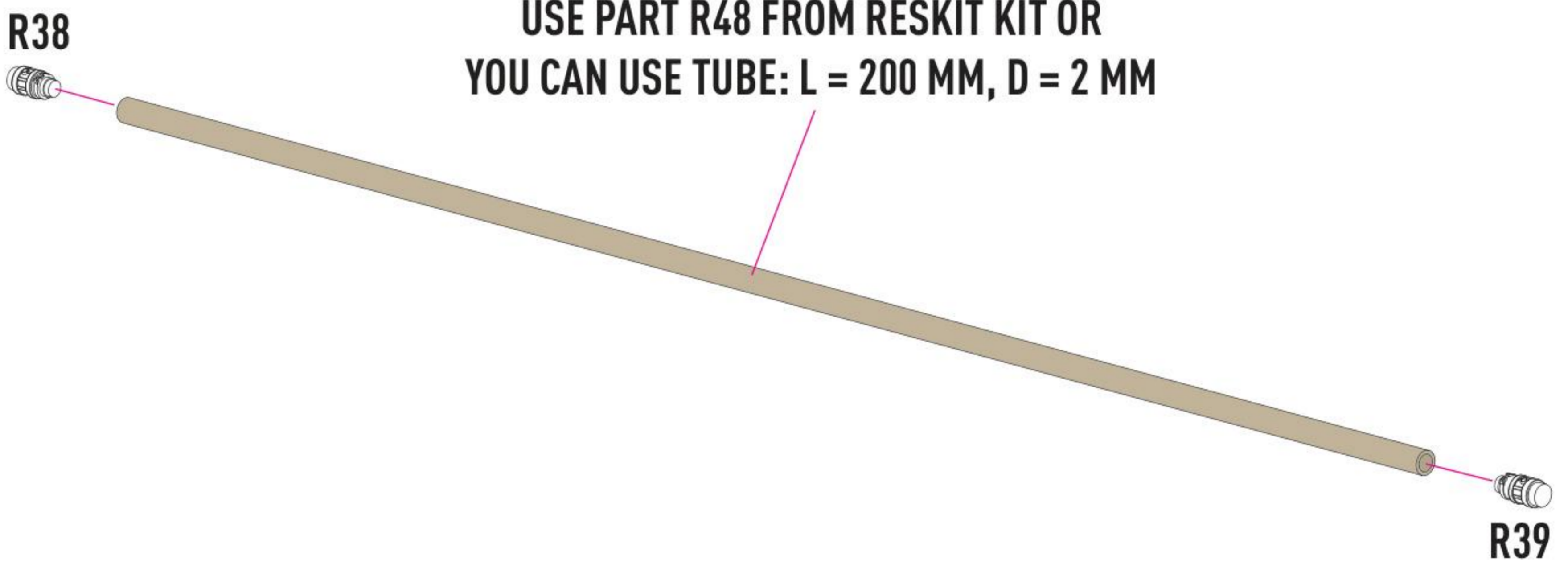
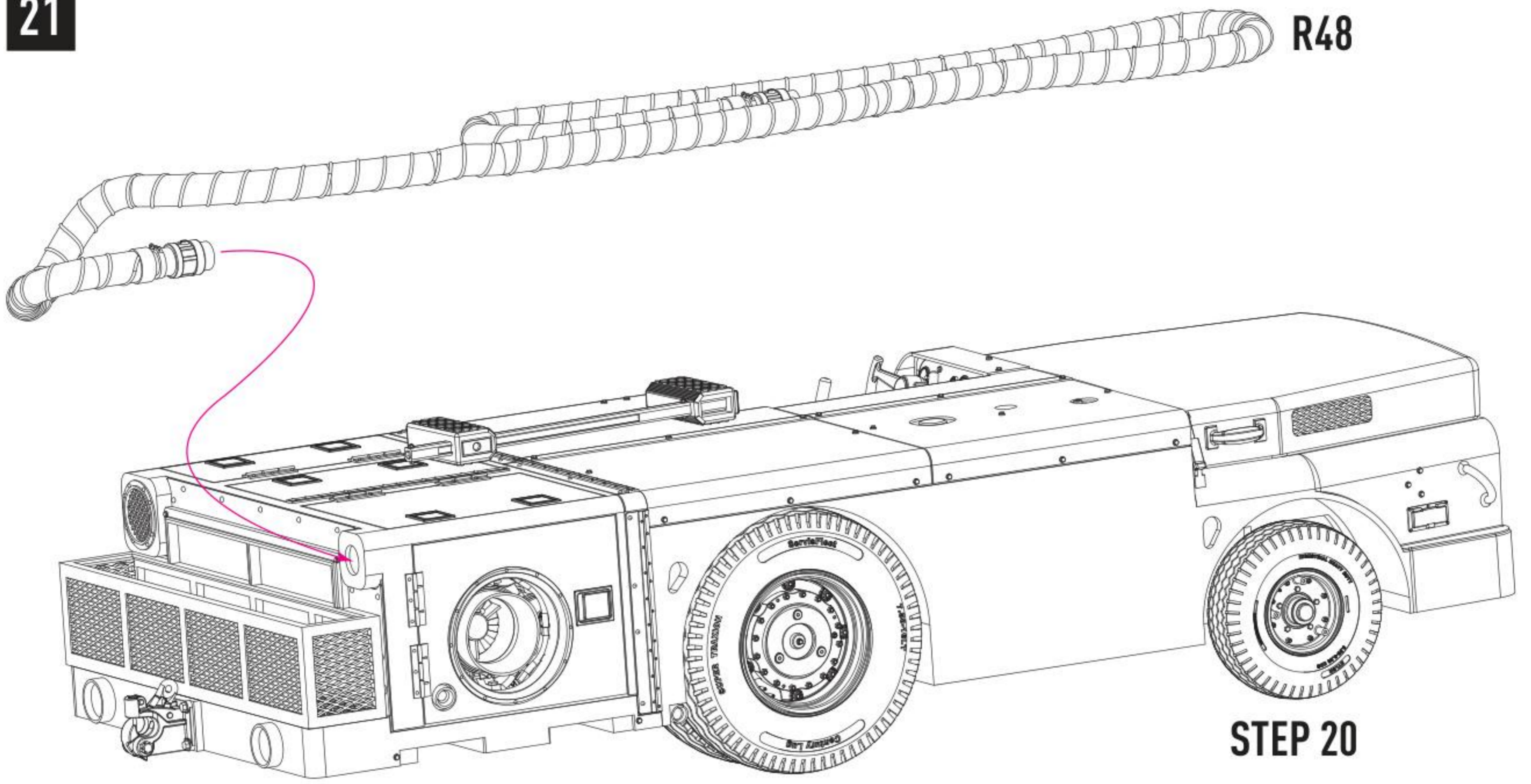
19



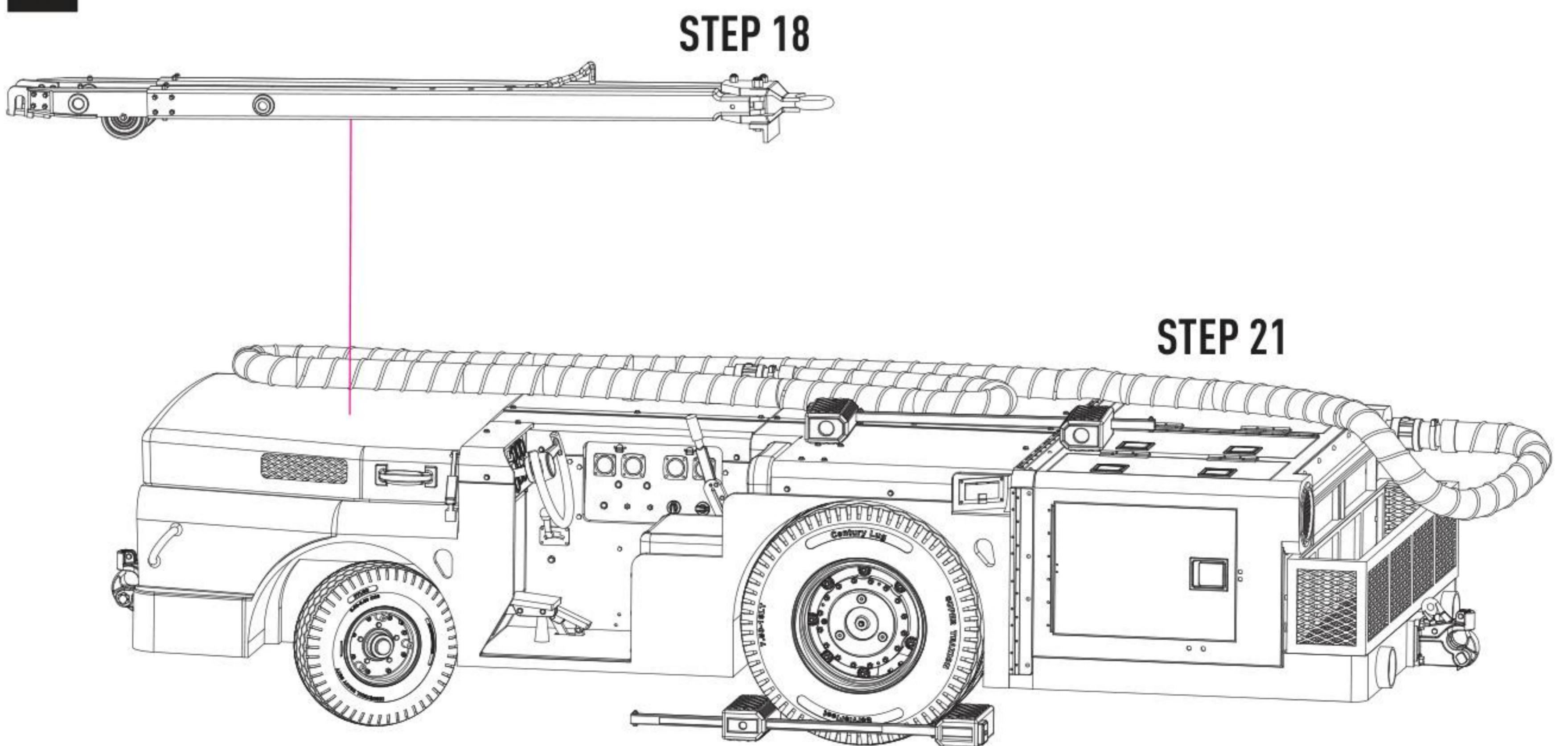
20



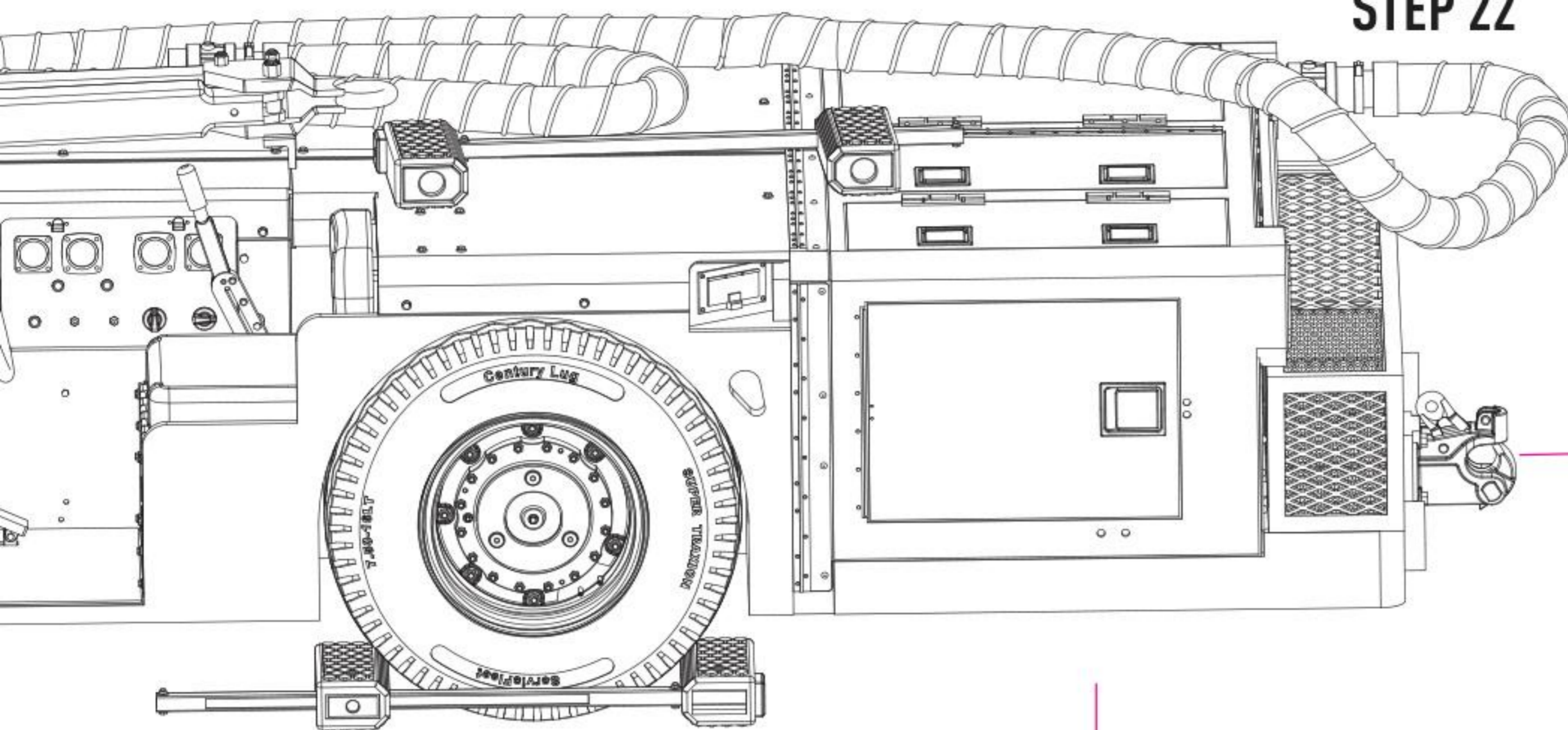
21



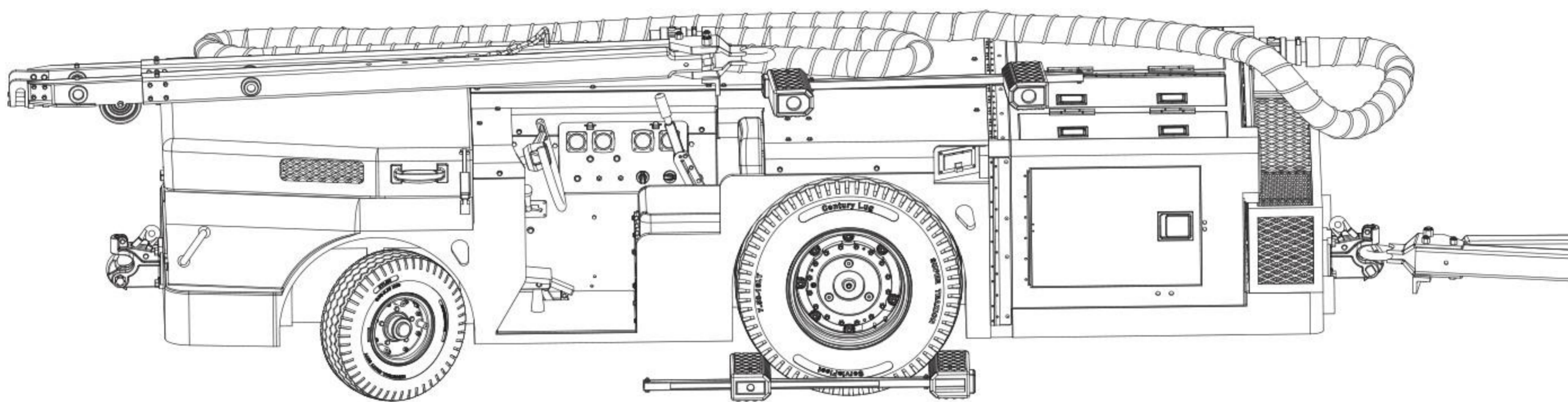
22



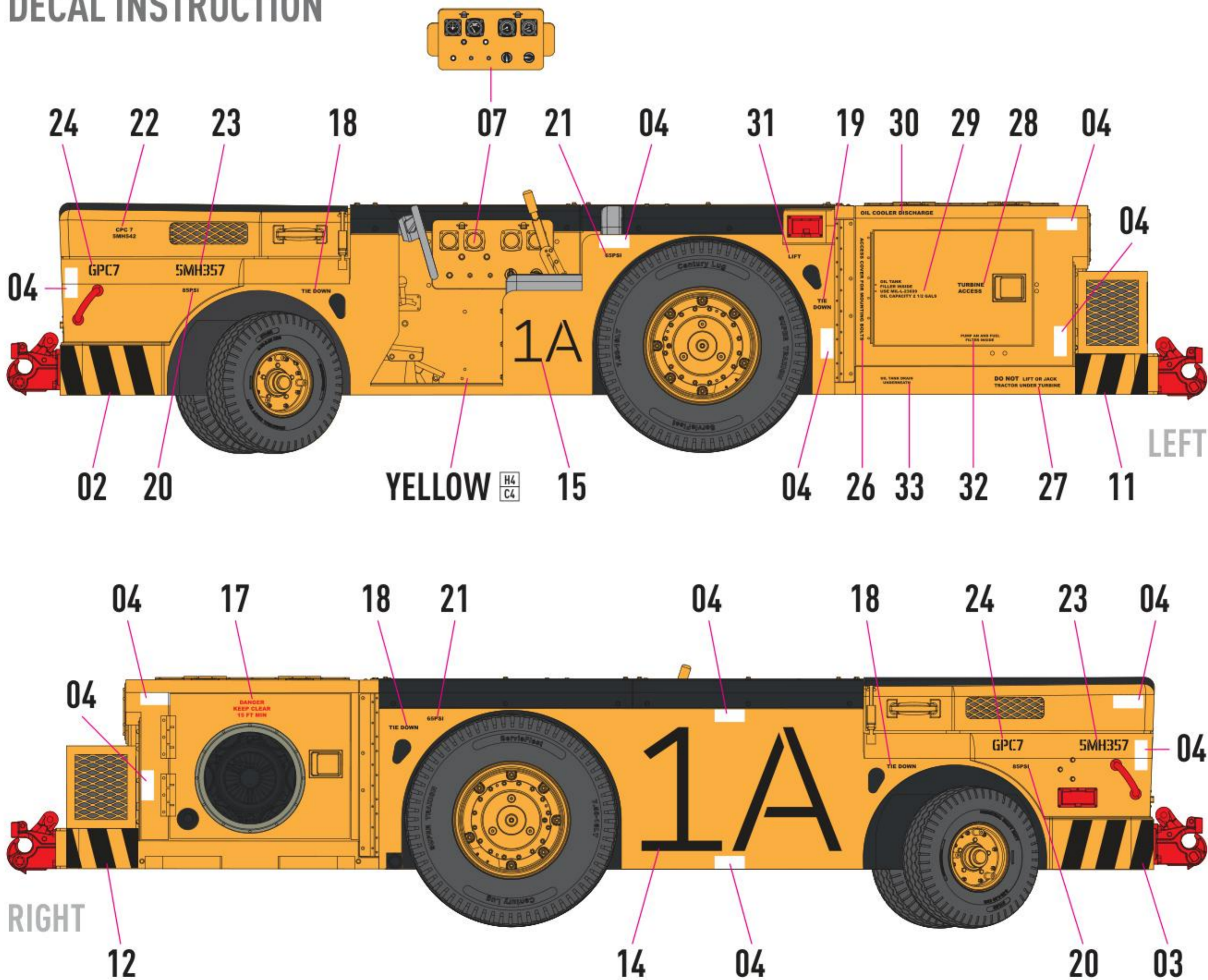
STEP 22

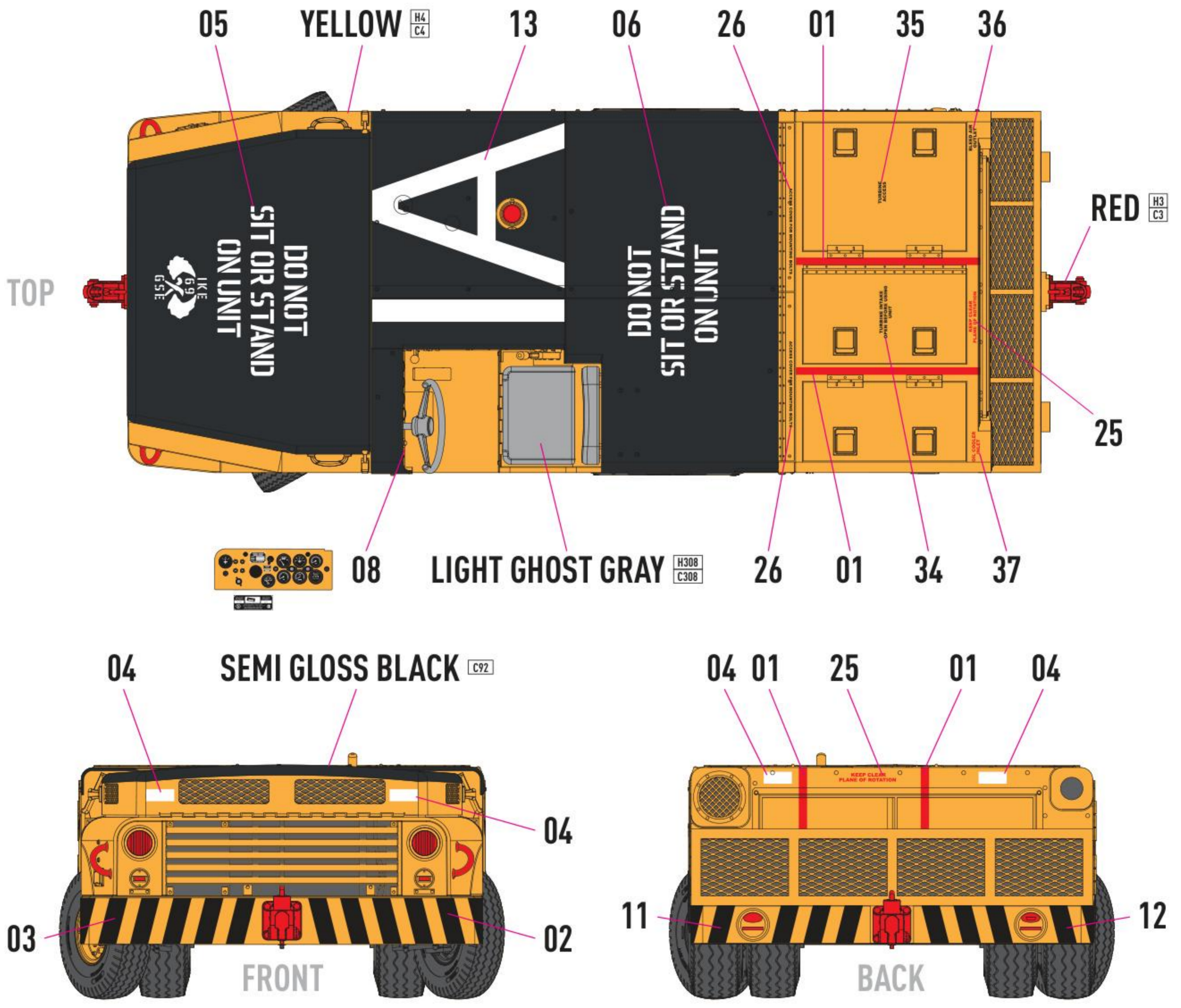


STEP 19

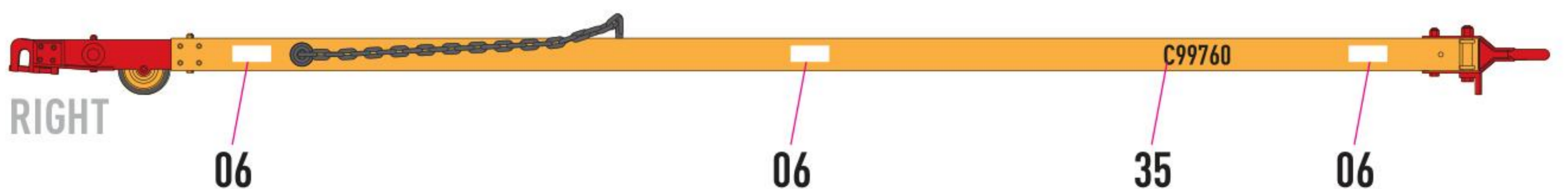
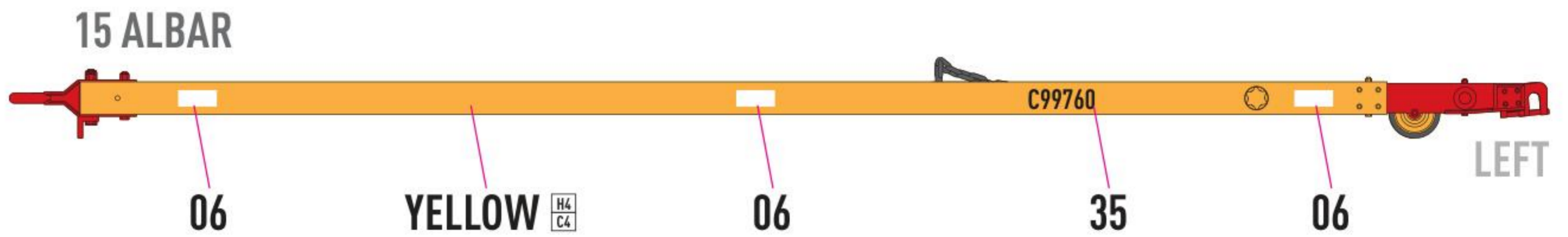
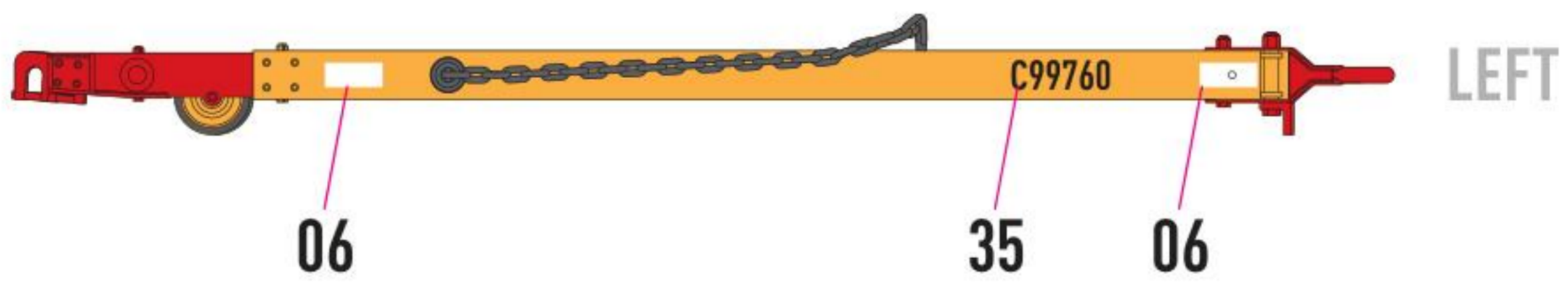
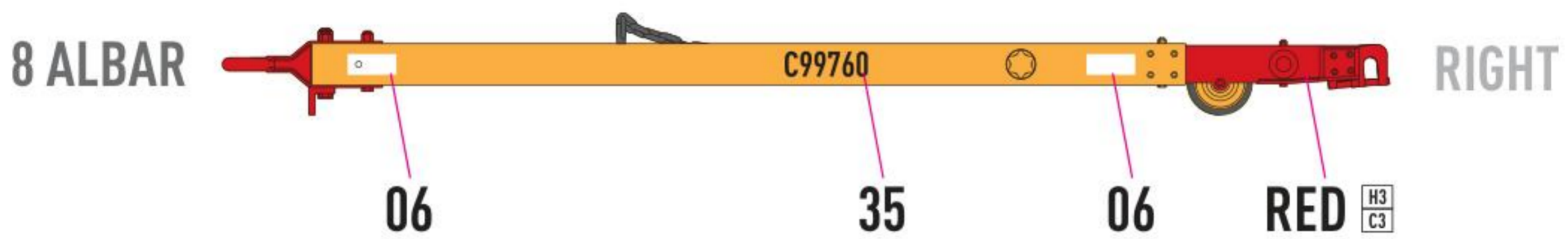


DECAL INSTRUCTION





ALBAR UNIVERSAL AIRCRAFT TOWBAR



COLORS	GUNZE / AQUEOUS	GUNZE / MR.COLOR
YELLOW	H4	C4
LIGHT GHOST GRAY	H308	C308

COLORS	GUNZE / AQUEOUS	GUNZE / MR.COLOR
SEMI GLOSS BLACK		C92
RED	H3	C3