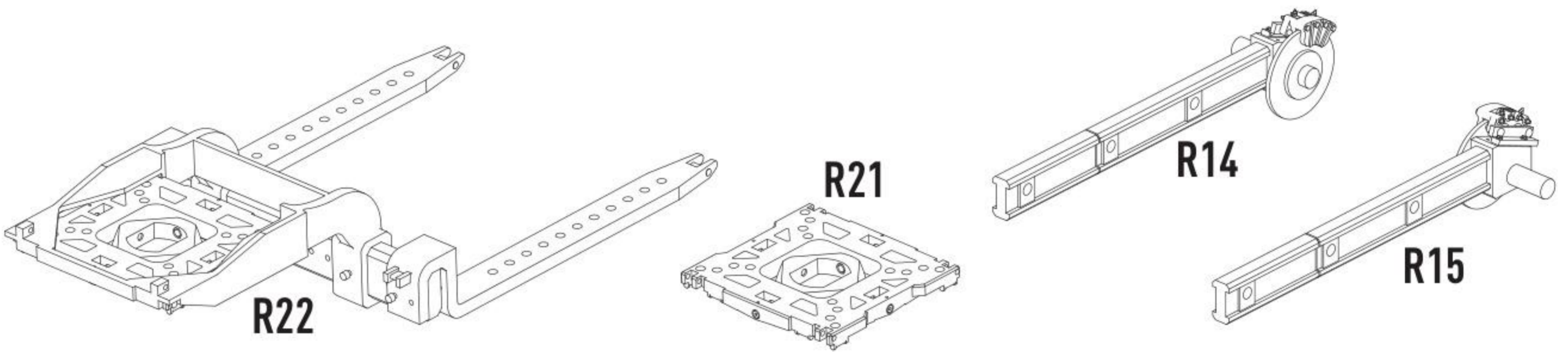
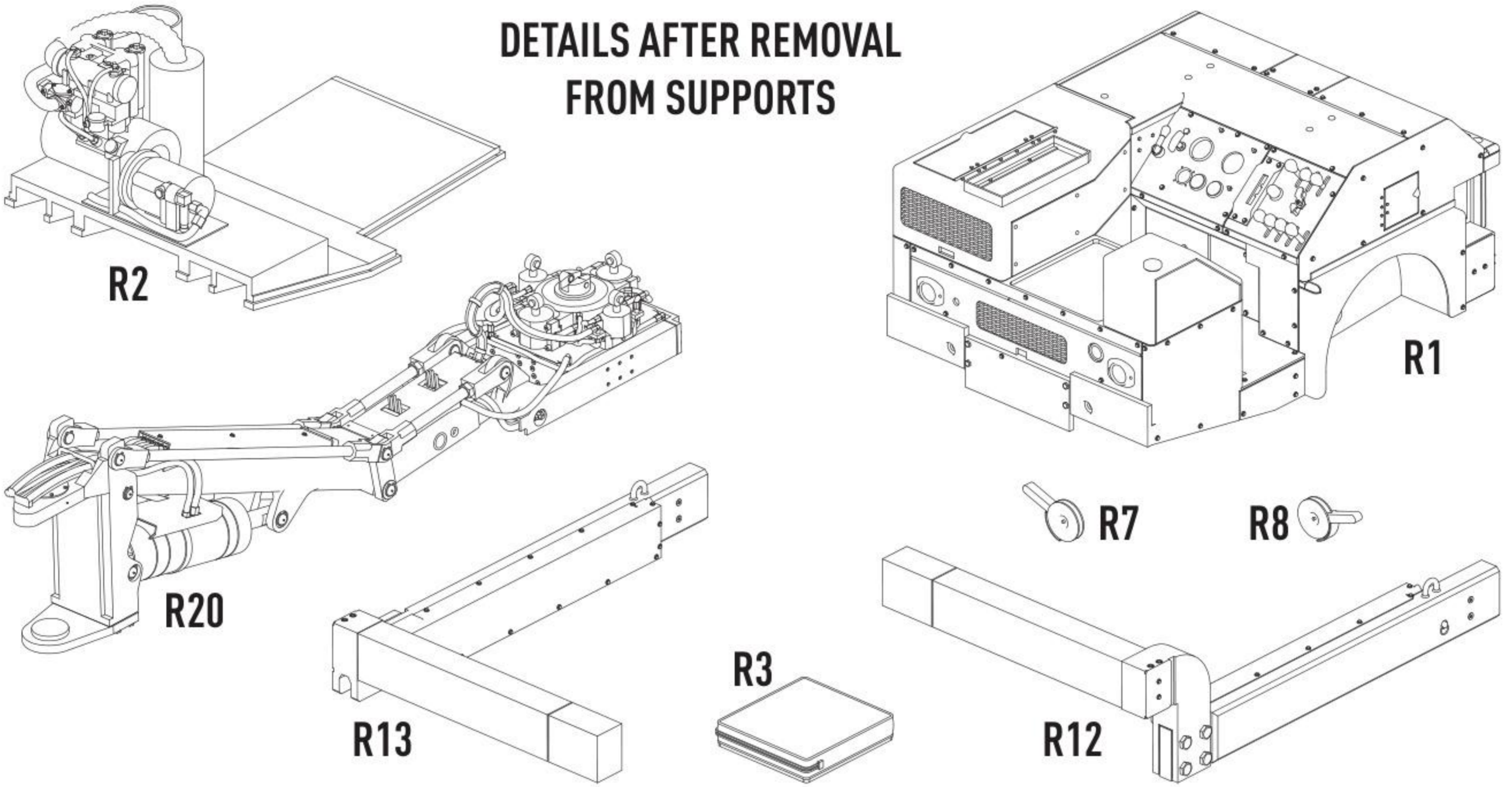
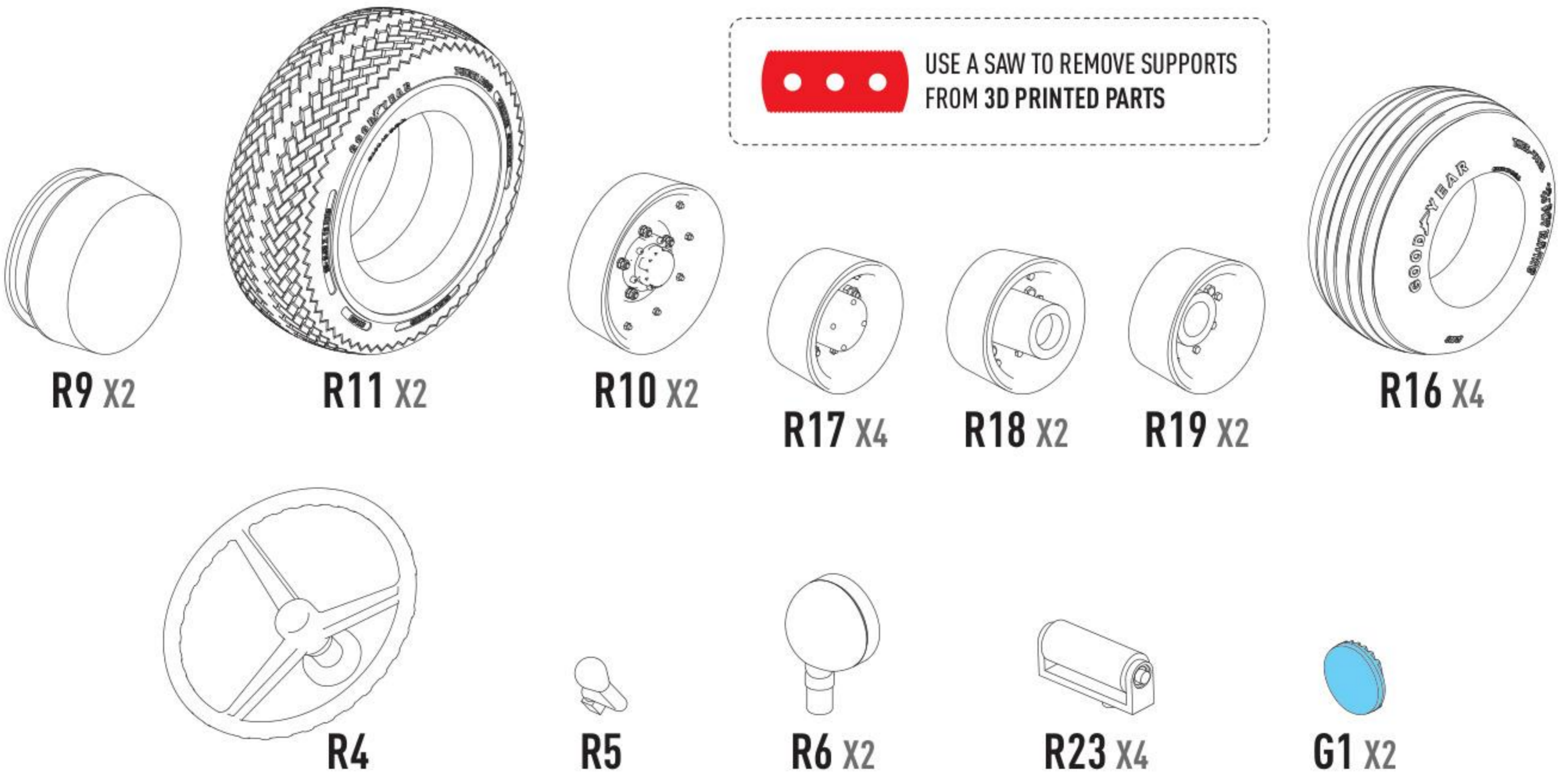


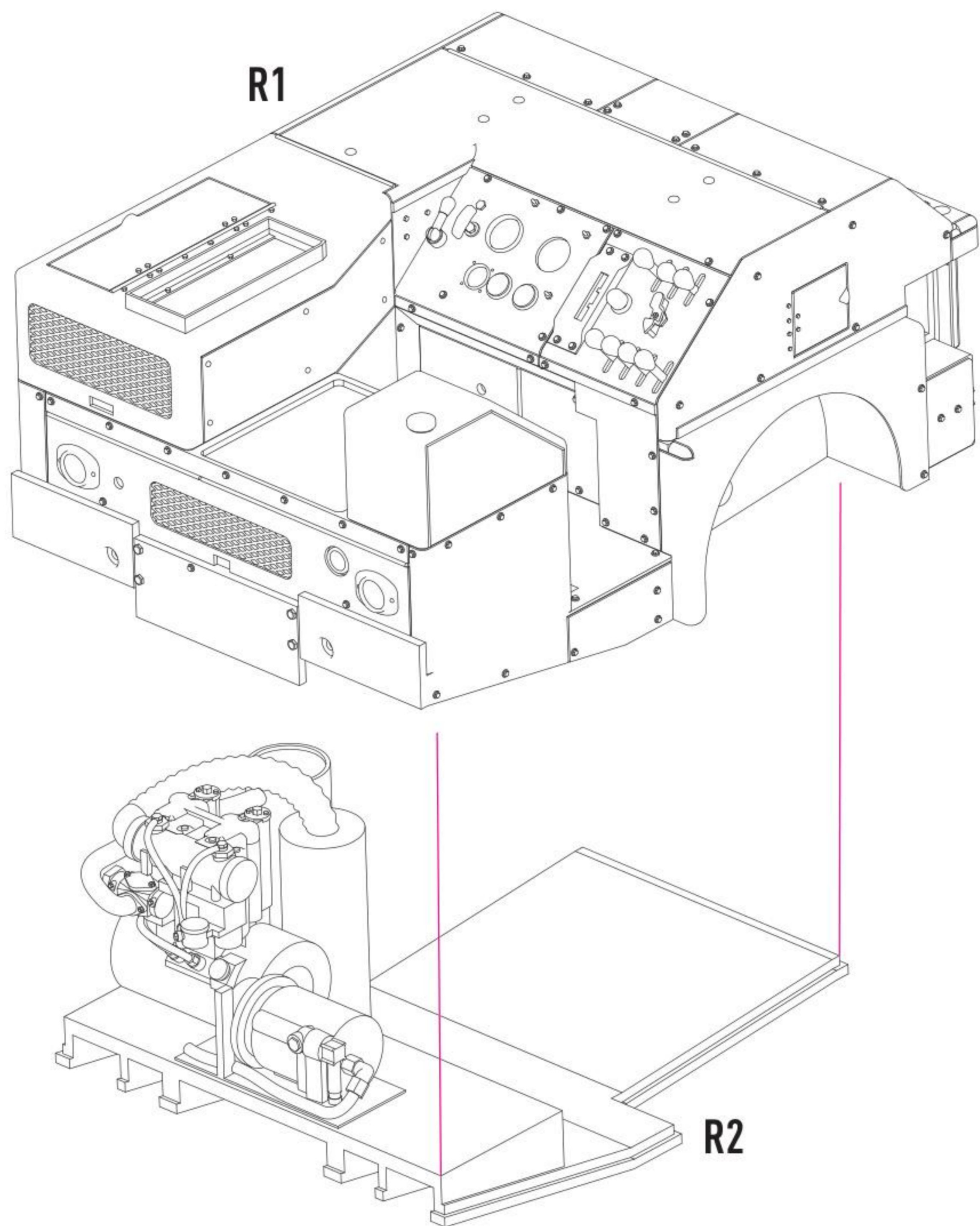
**DETAILS AFTER REMOVAL  
 FROM SUPPORTS**



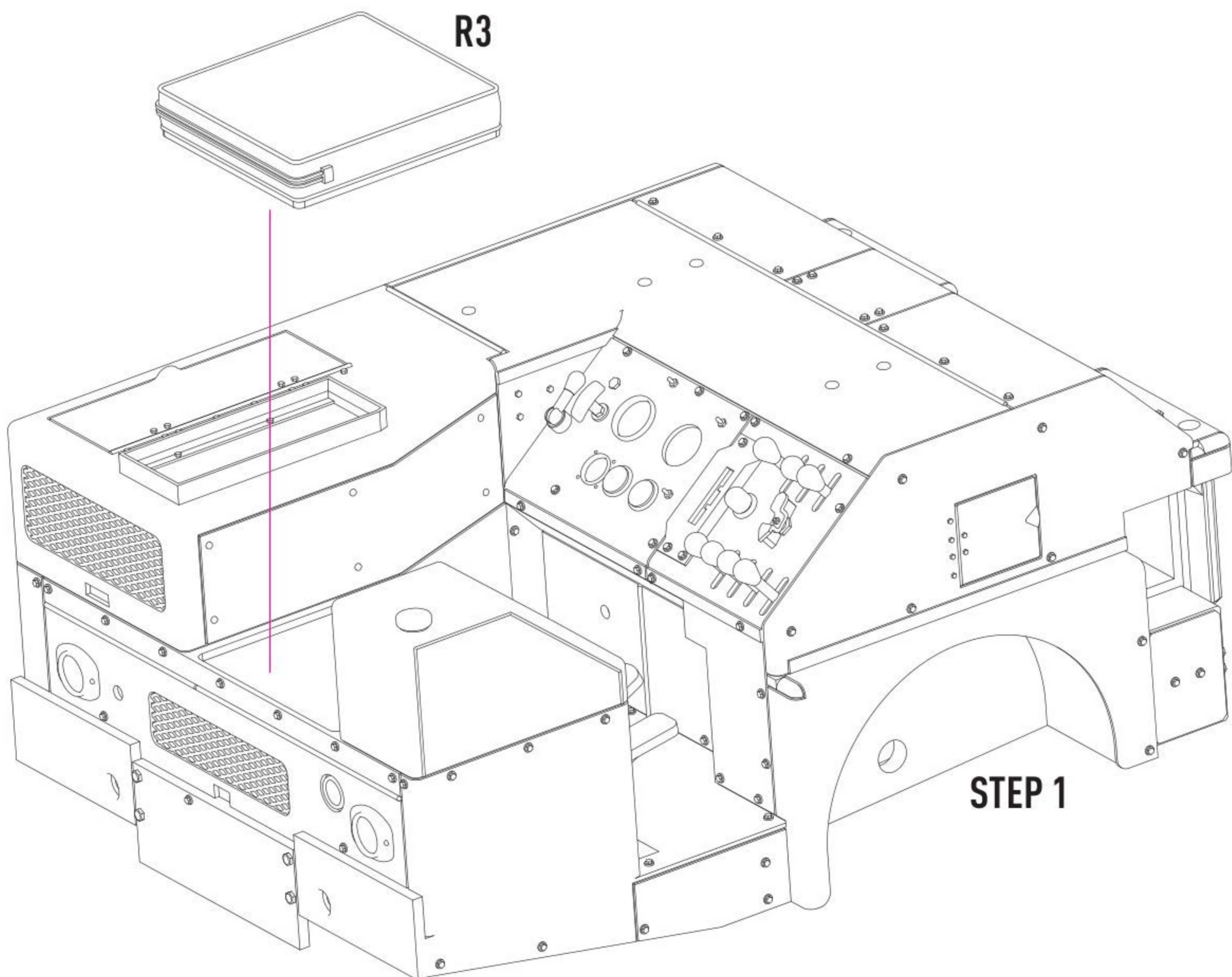
**USE A SAW TO REMOVE SUPPORTS  
 FROM 3D PRINTED PARTS**



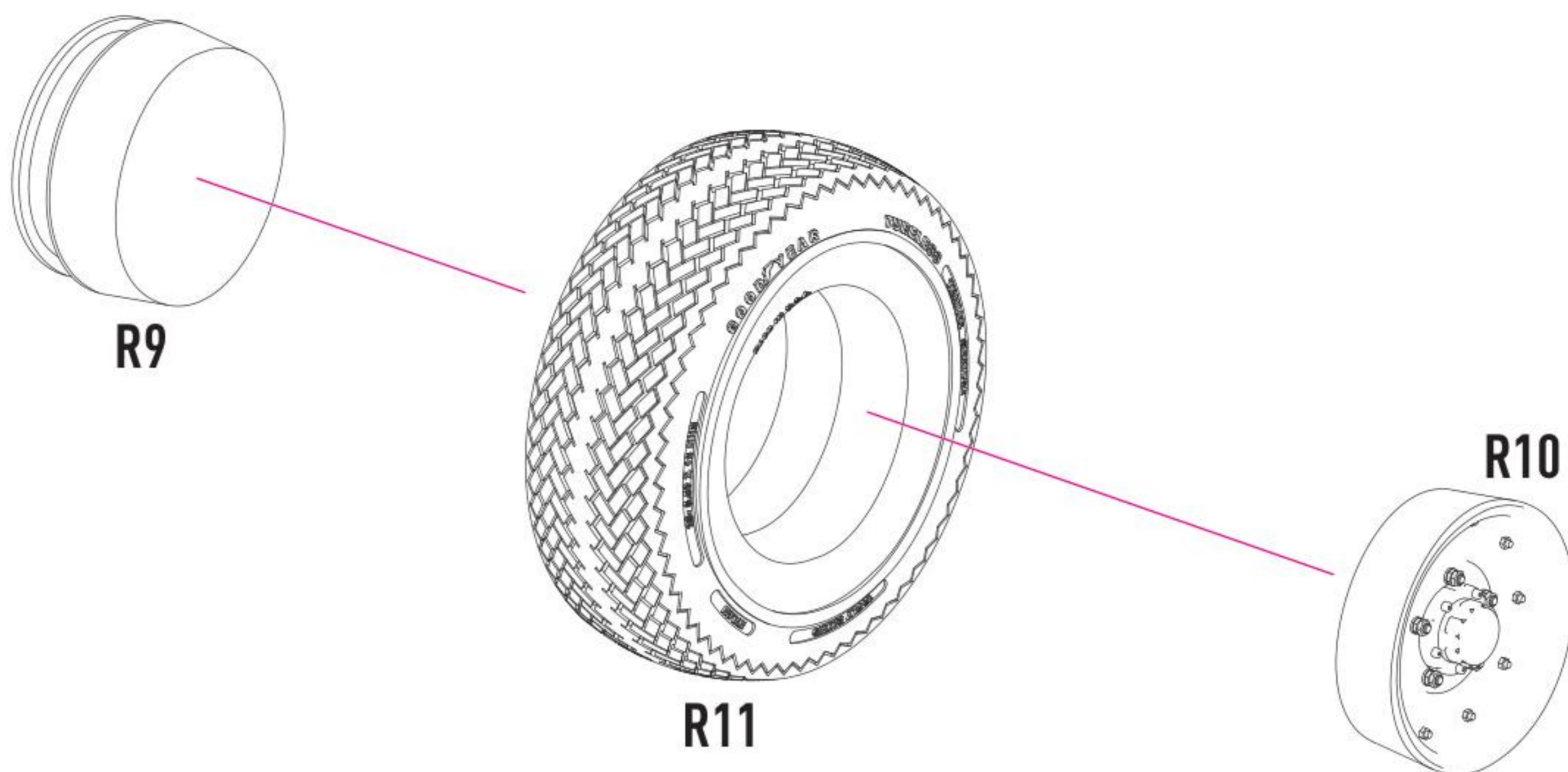
1



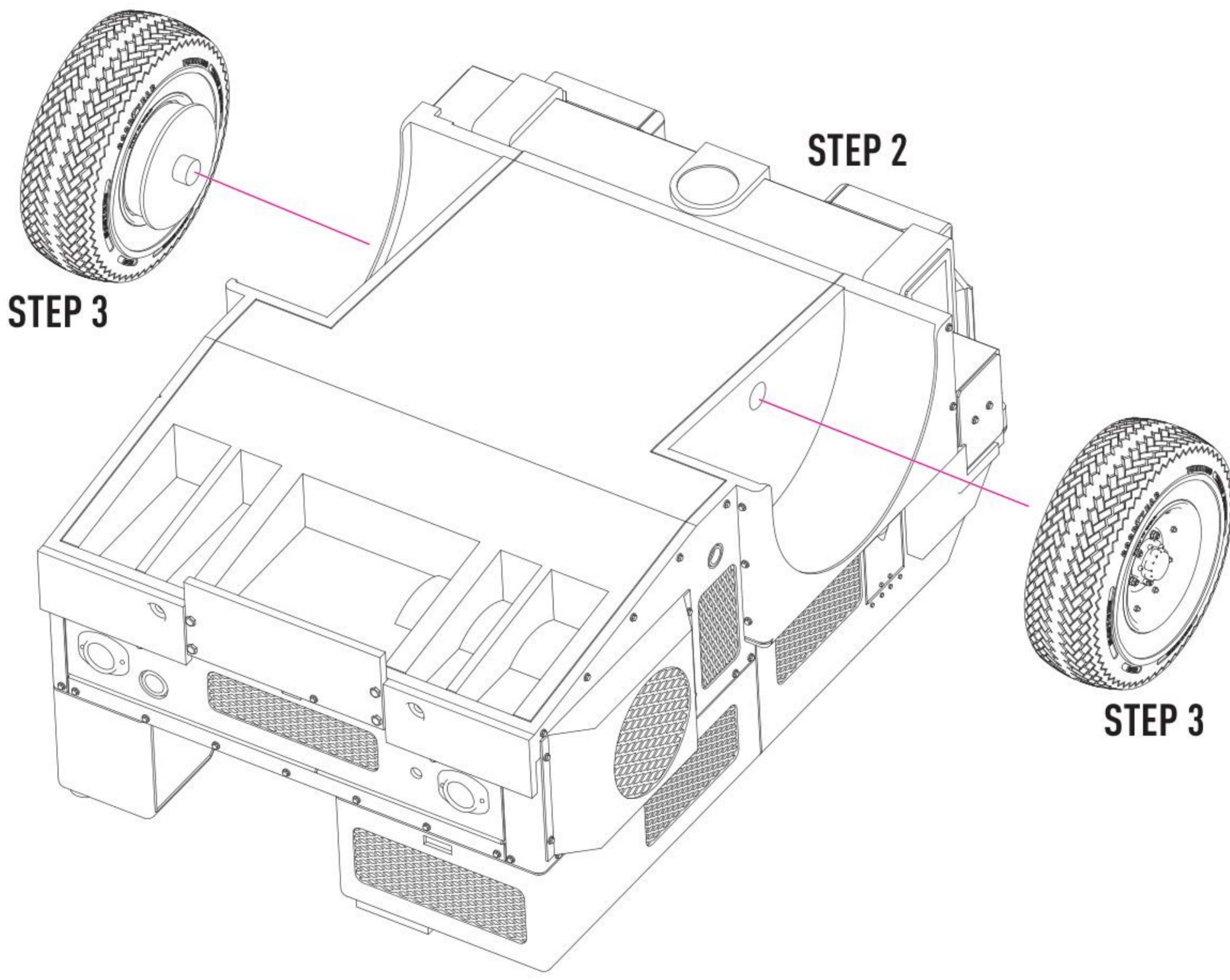
2



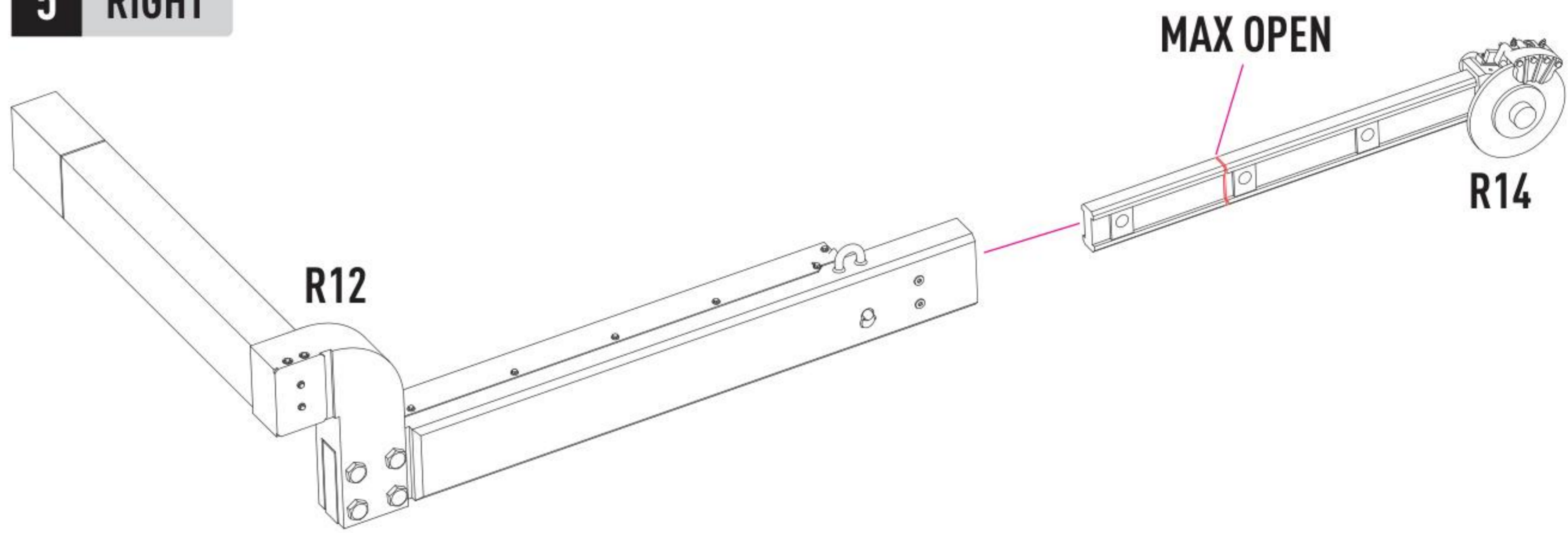
**3** X2



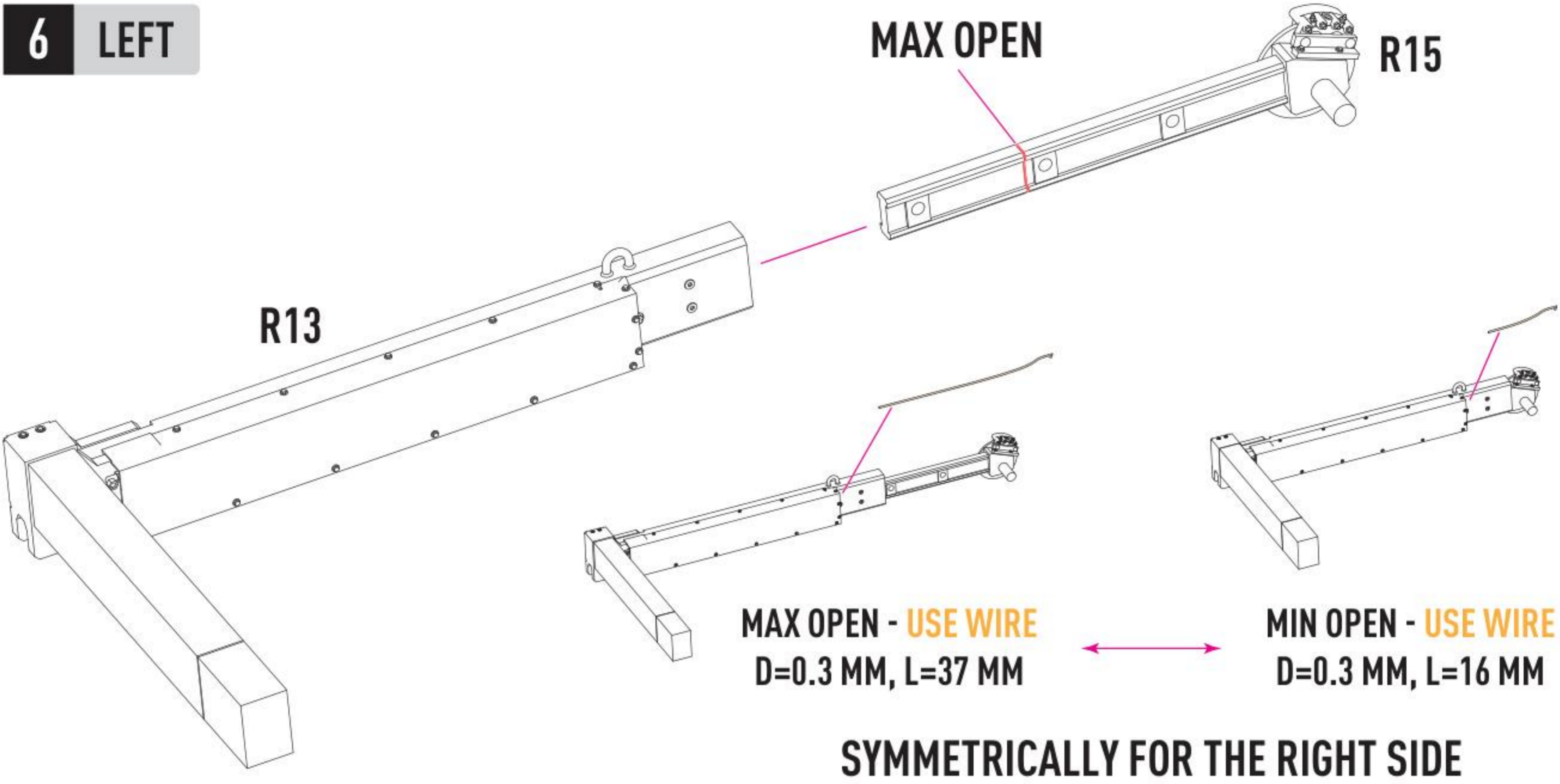
**4**



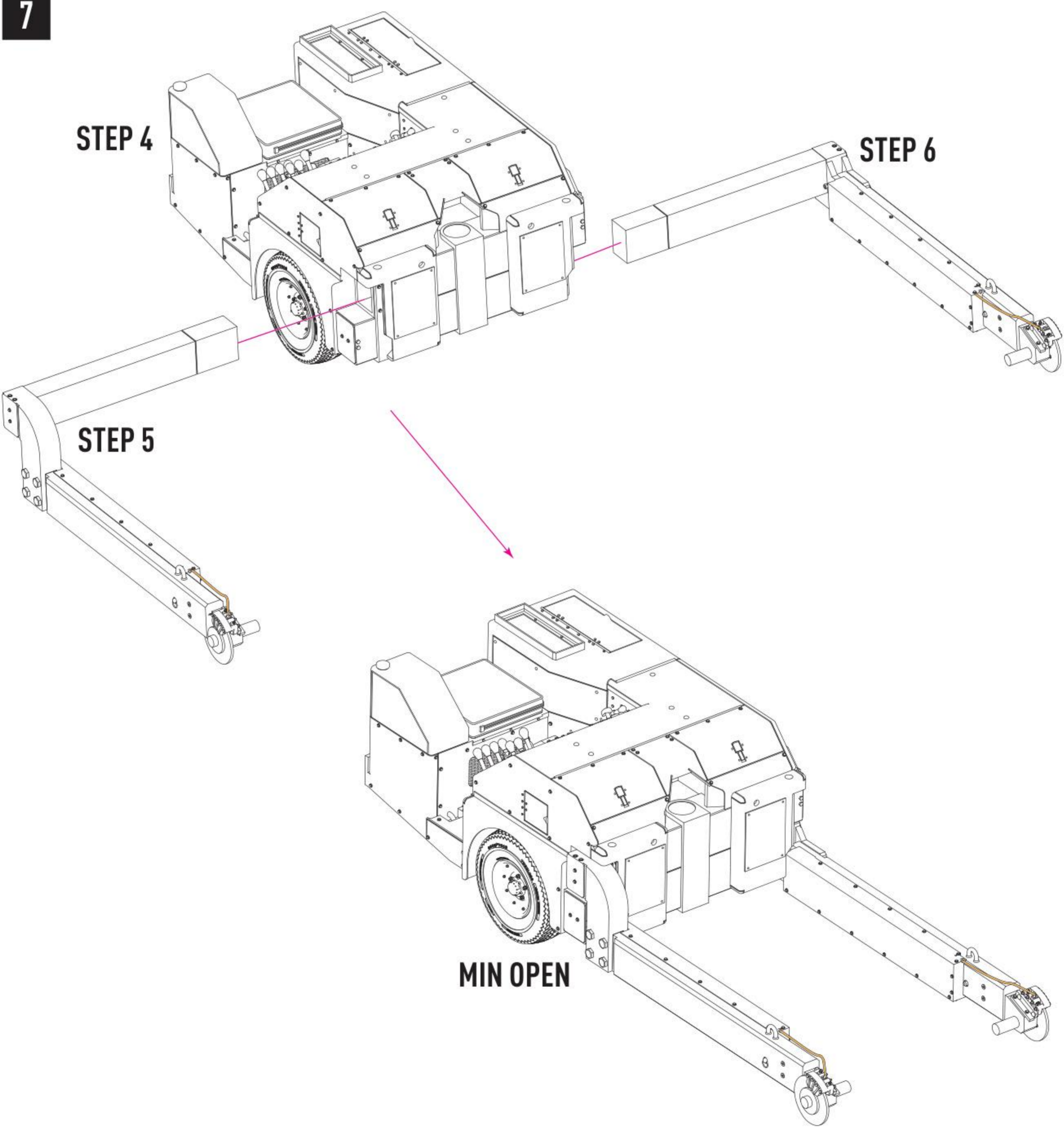
**5** RIGHT



**6 LEFT**

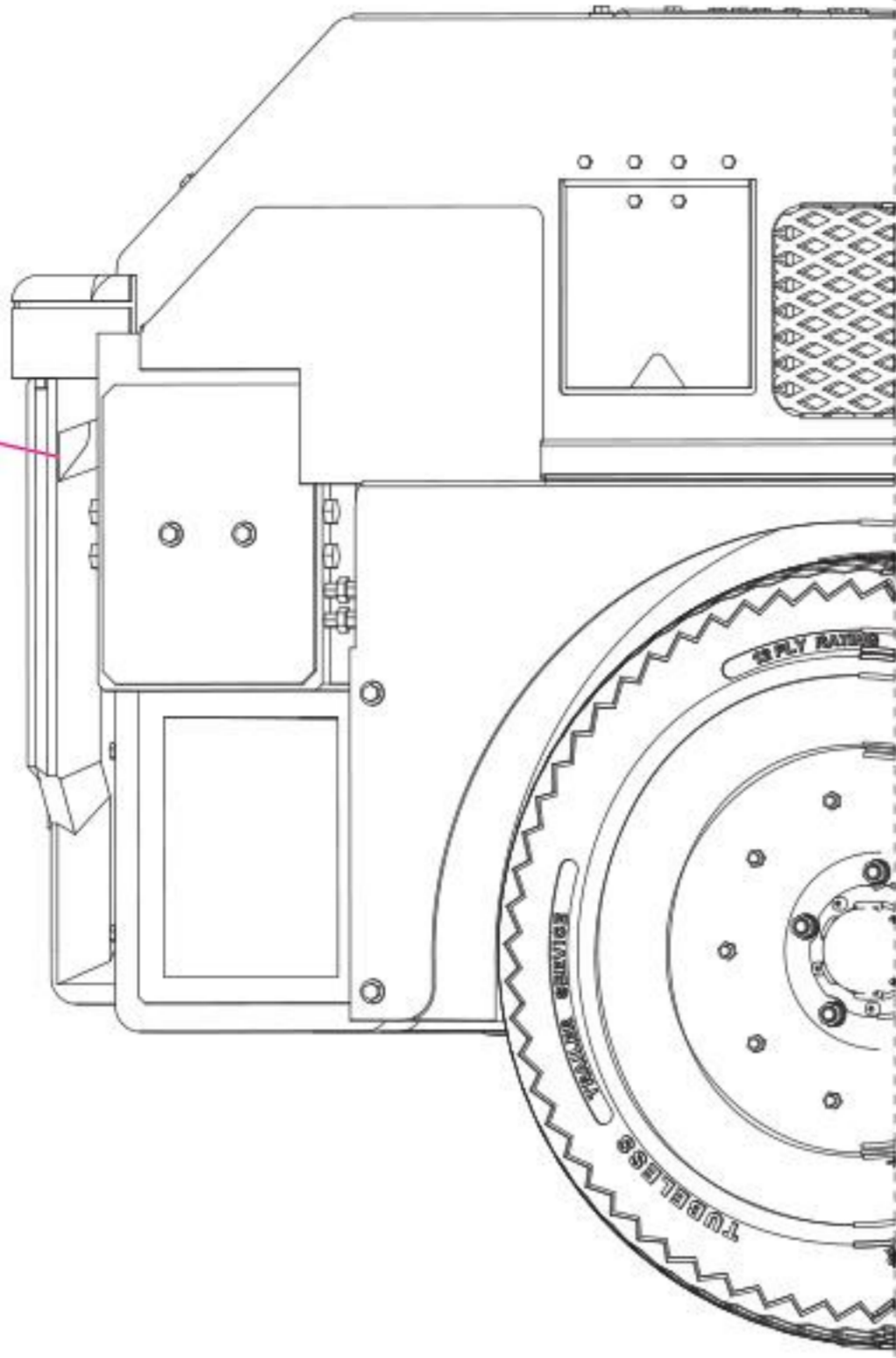


**7**



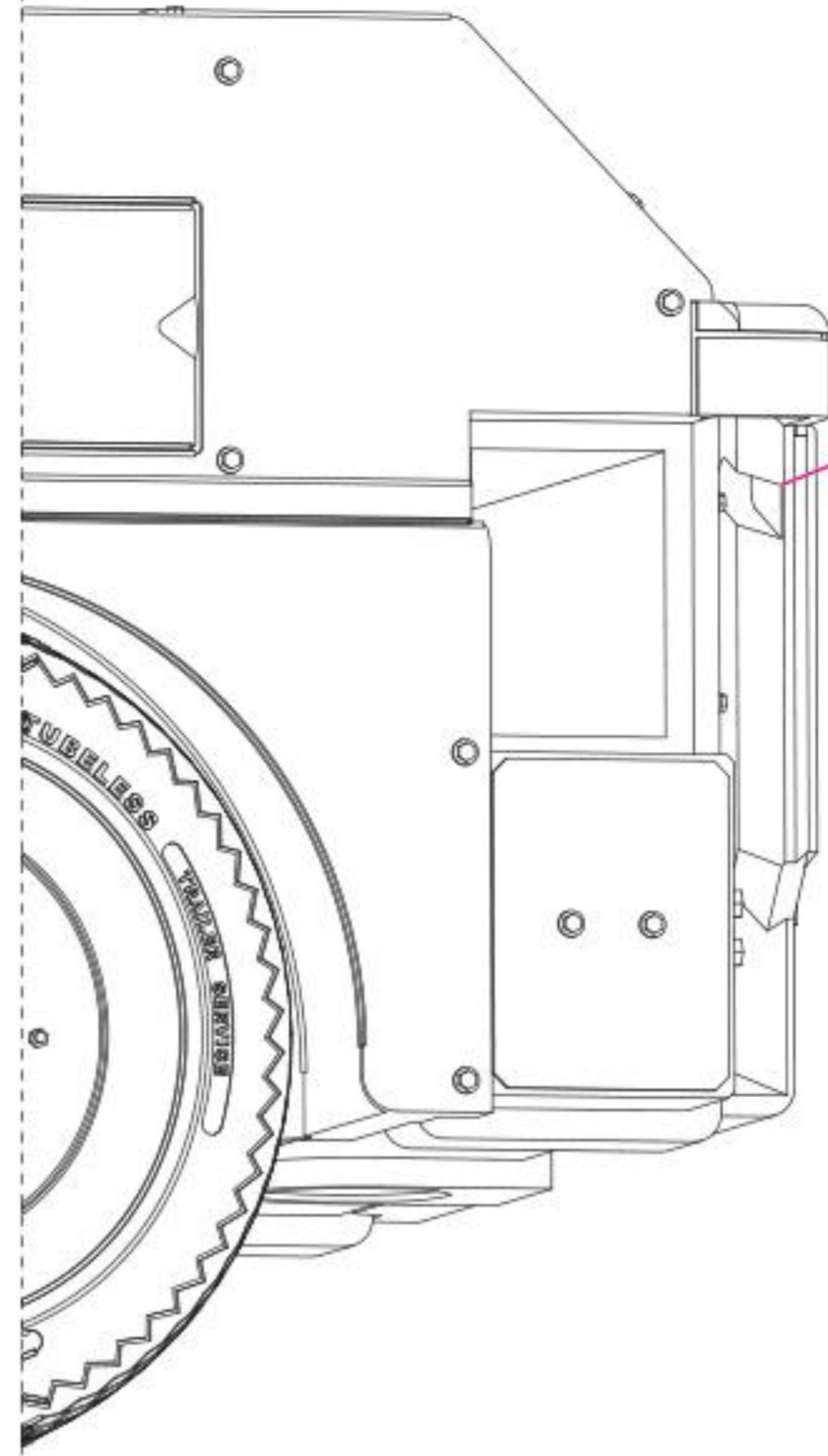
8

R8



STEP 4

R7



9

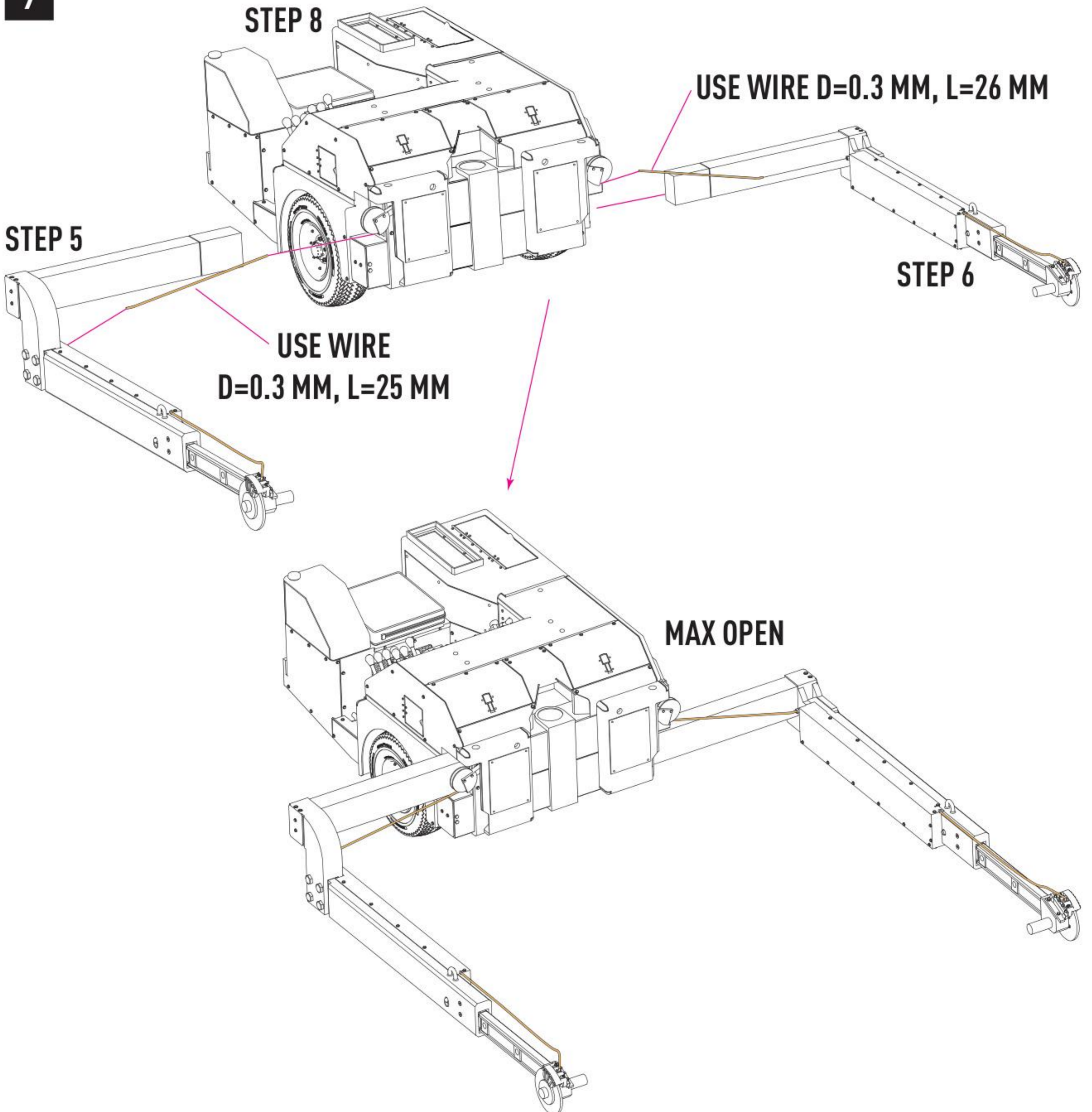
STEP 8

USE WIRE D=0.3 MM, L=26 MM

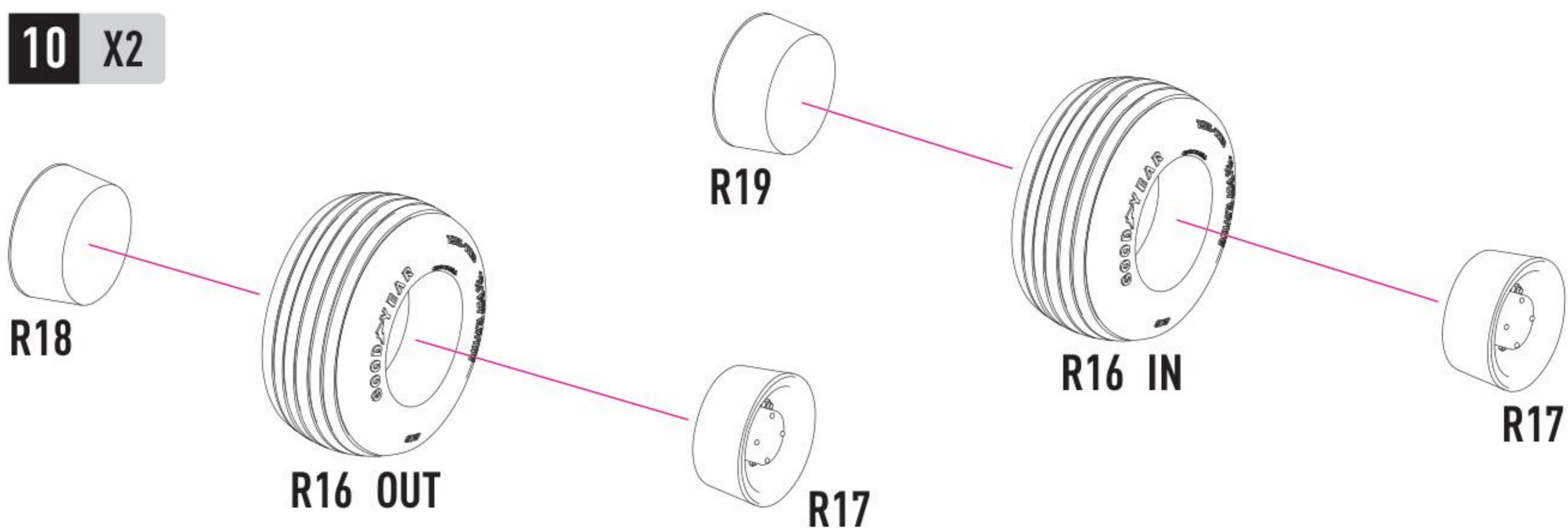
STEP 5

USE WIRE  
D=0.3 MM, L=25 MM

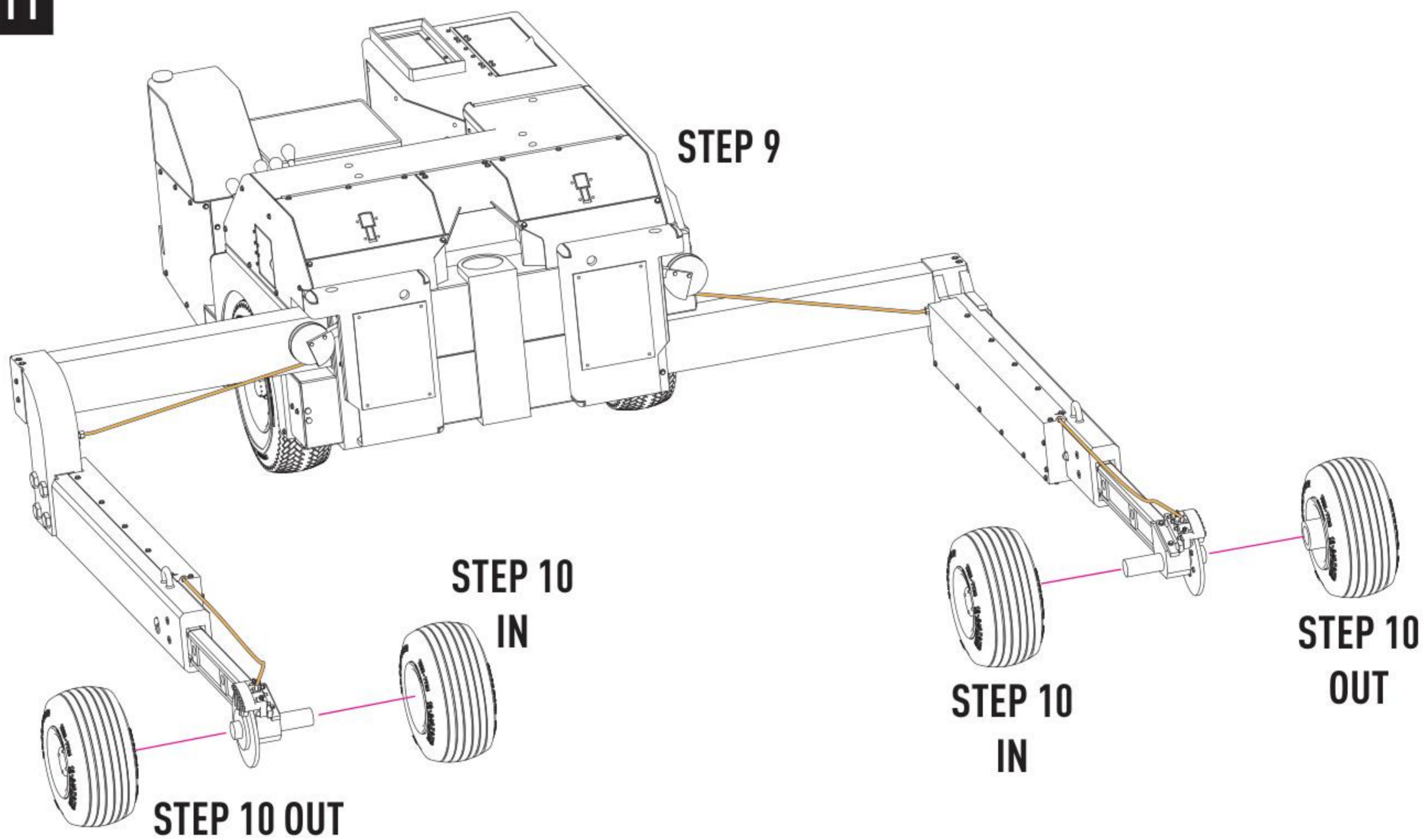
STEP 6



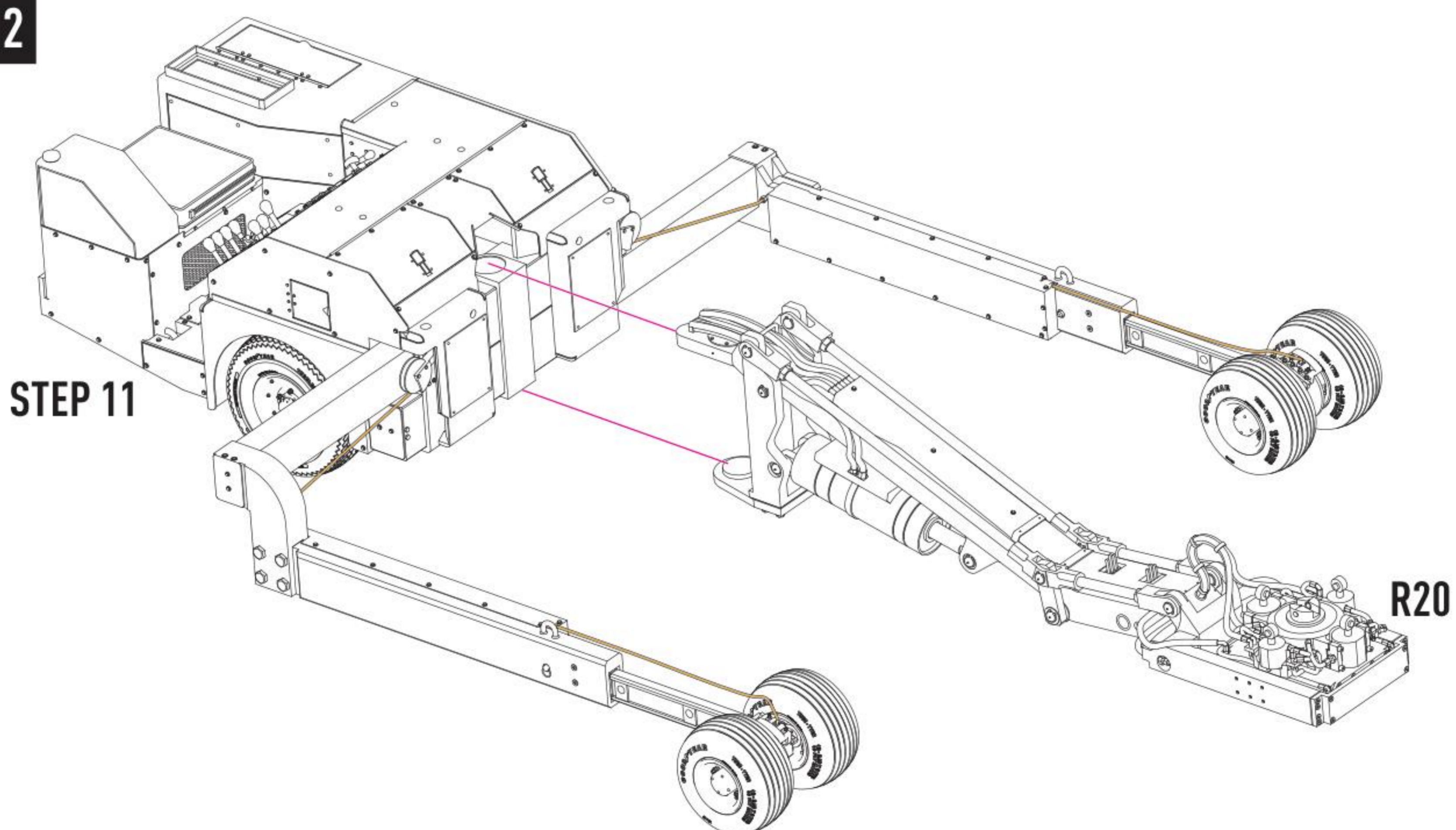
**10** X2



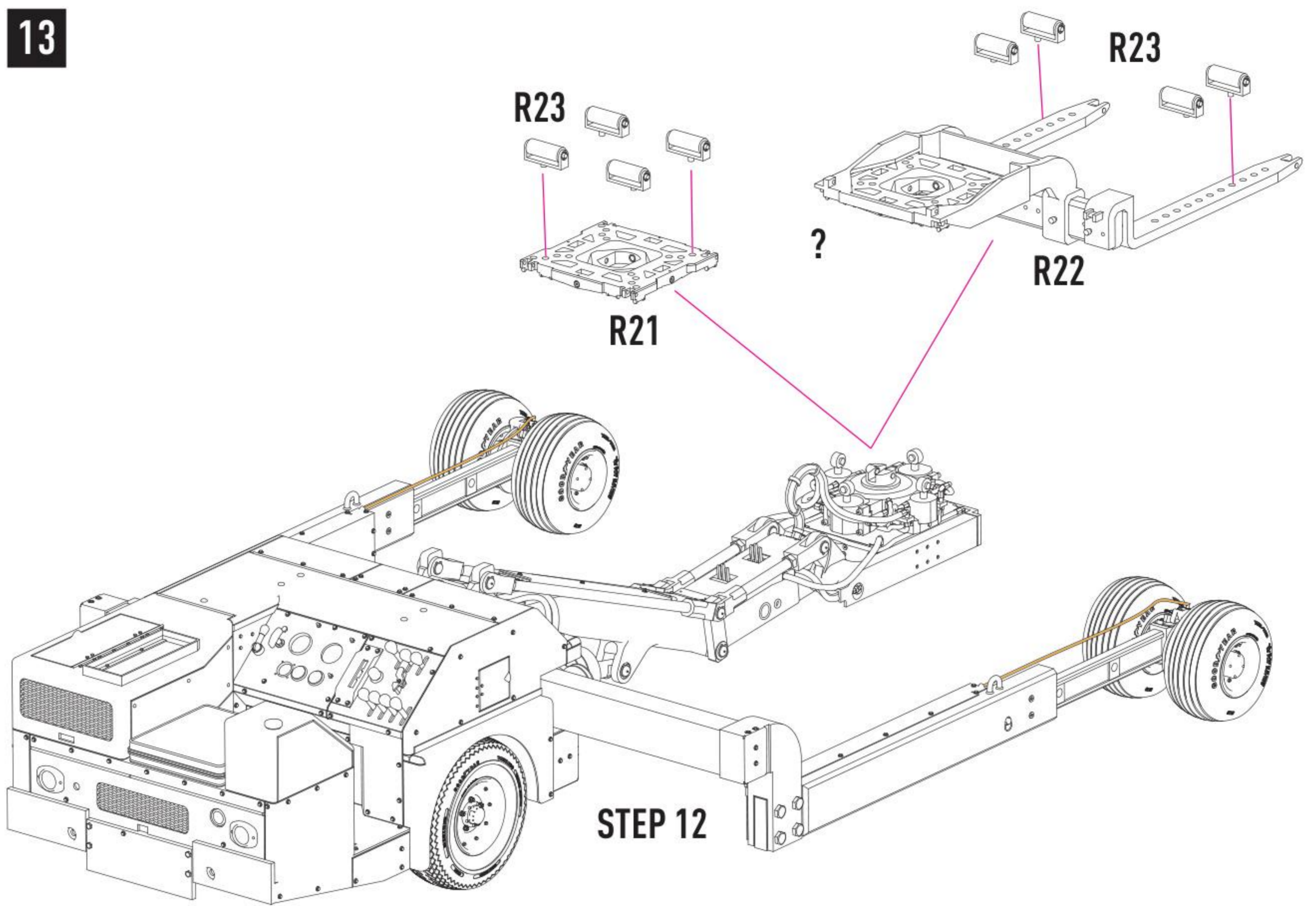
**11**



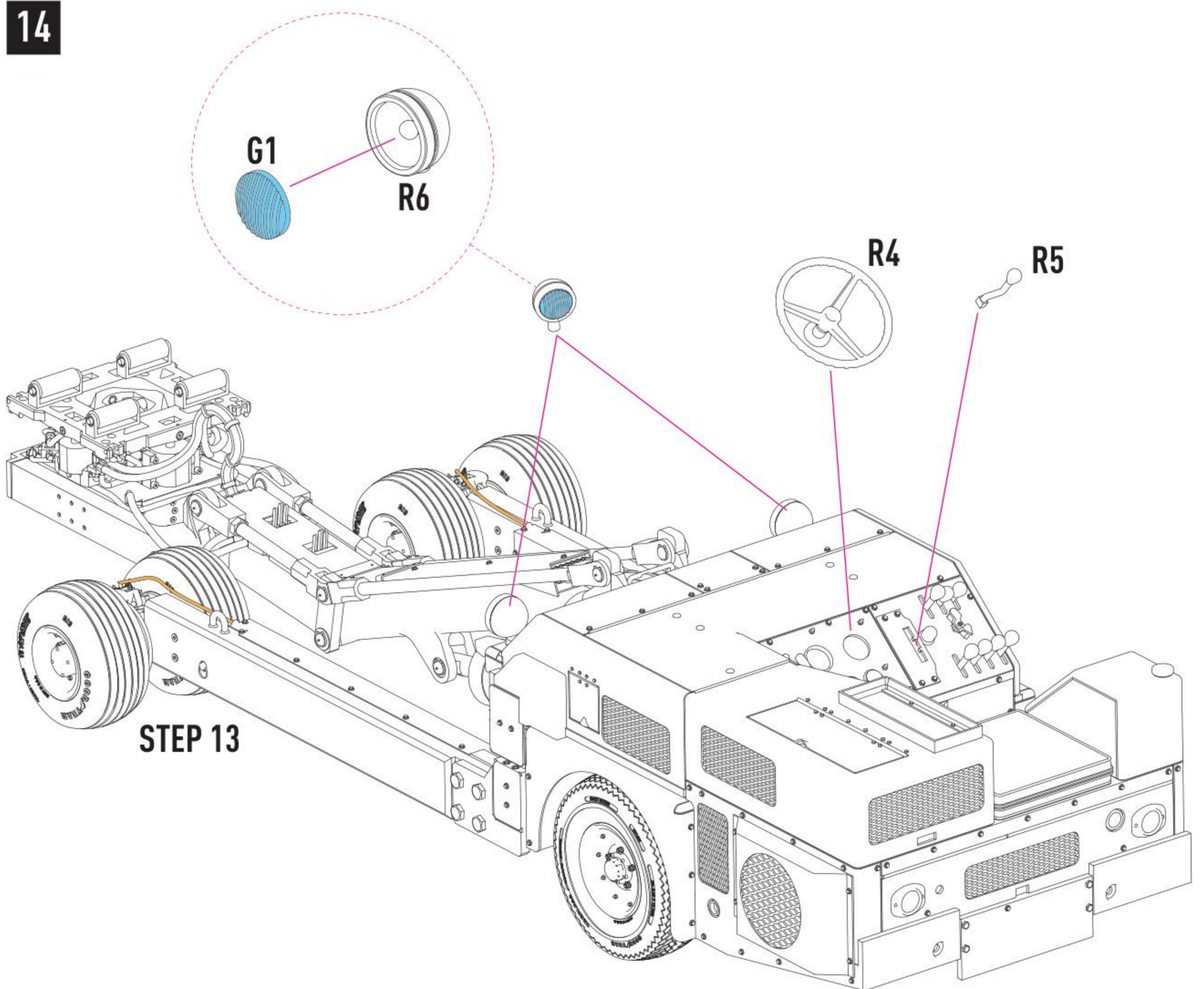
**12**



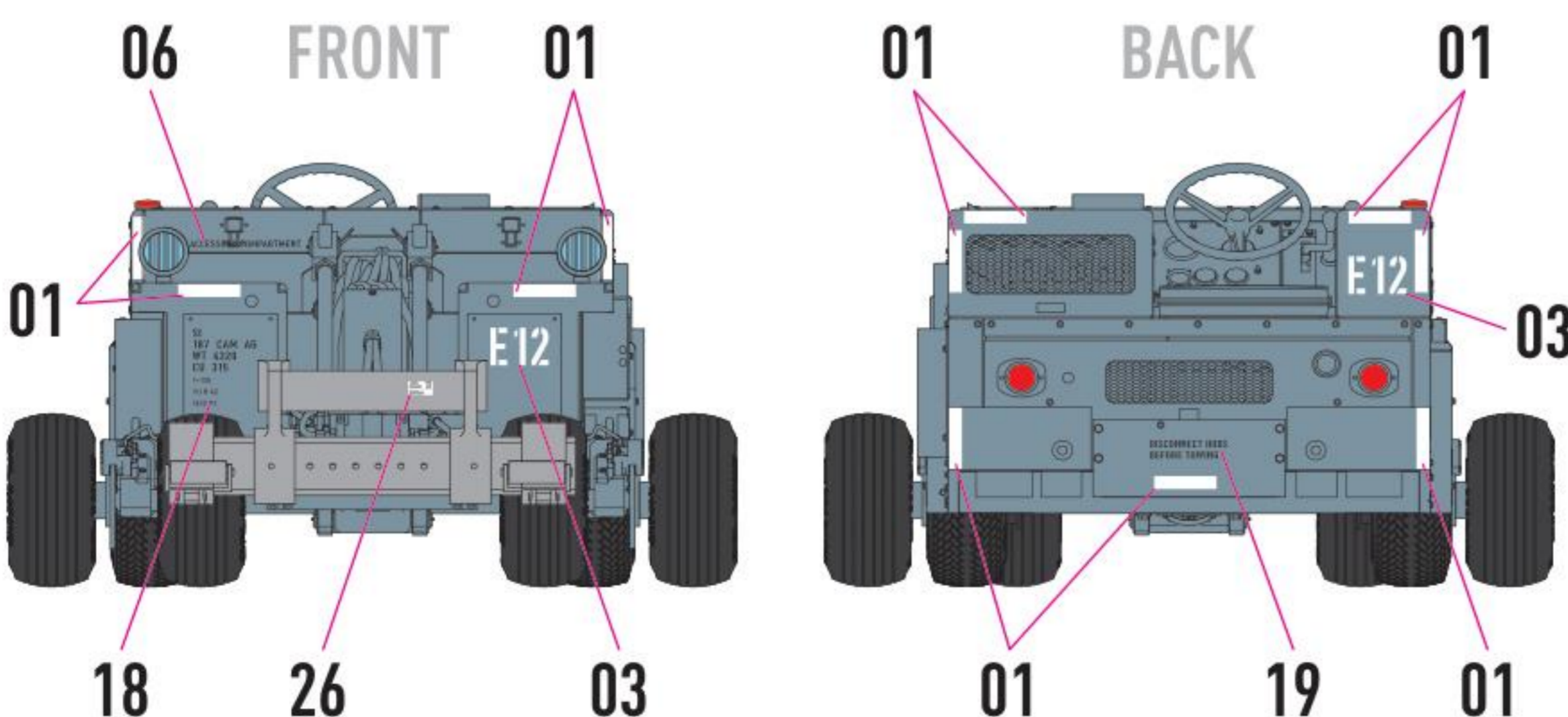
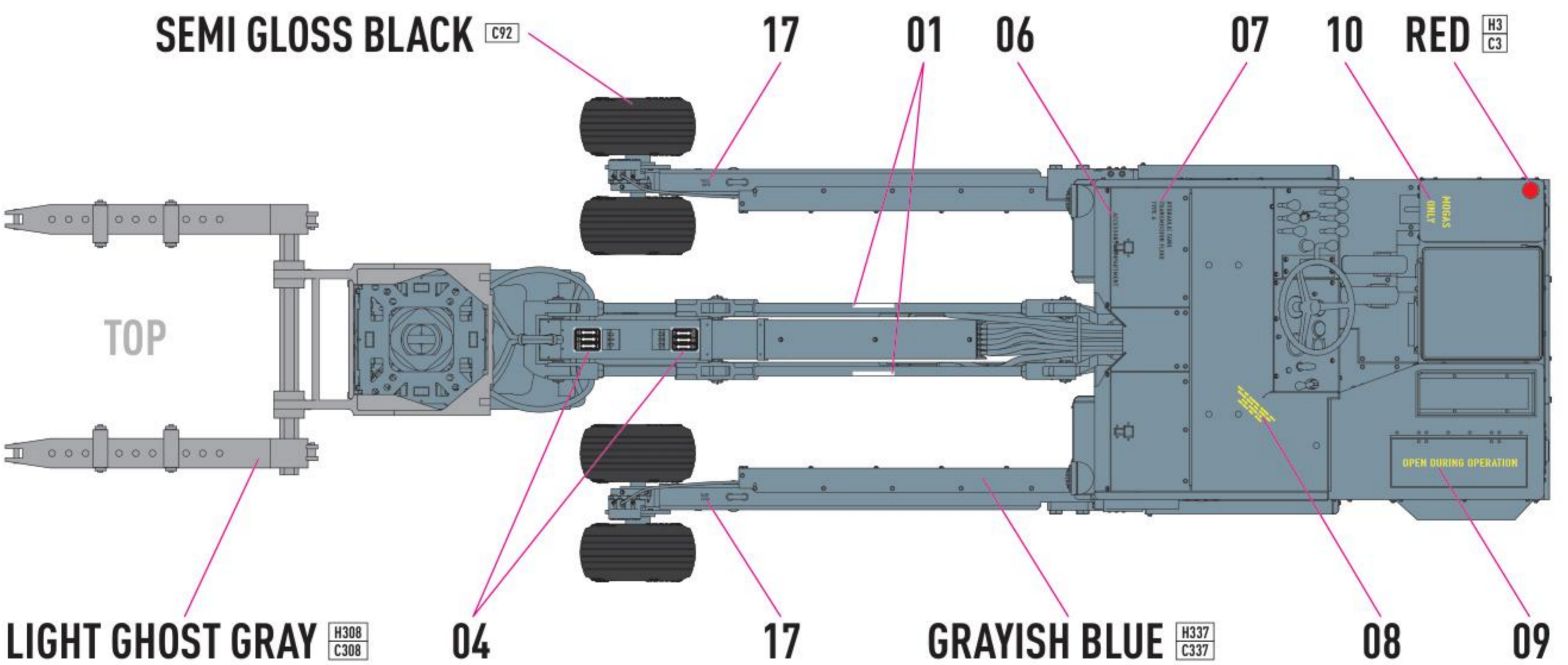
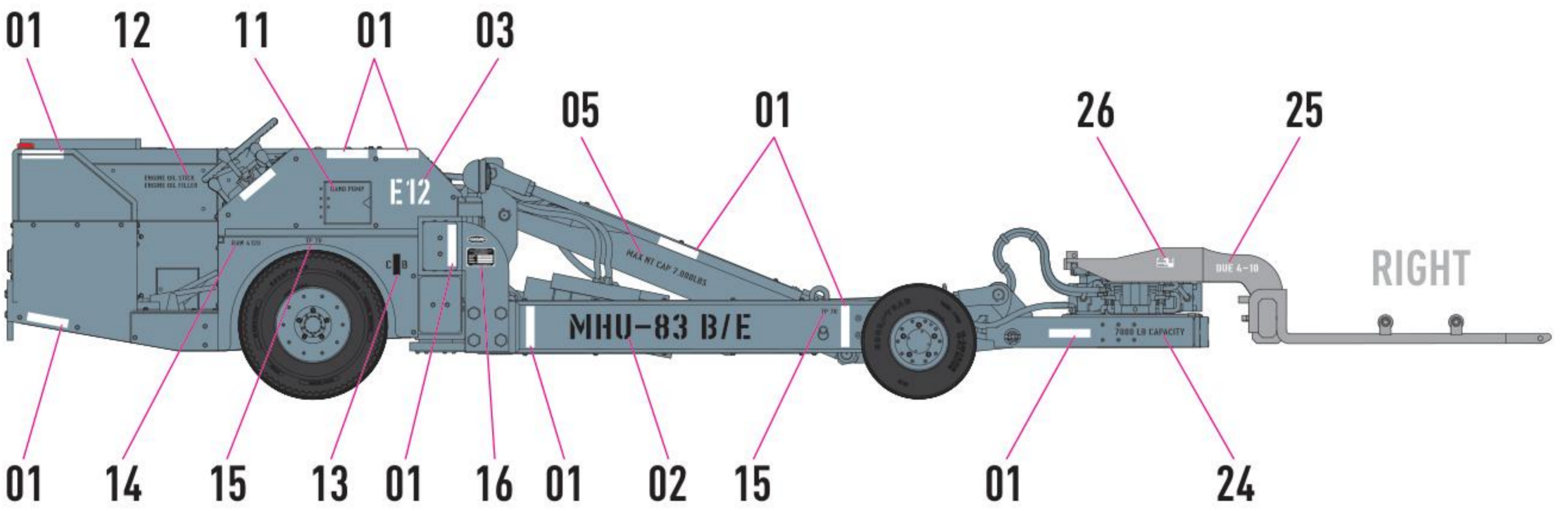
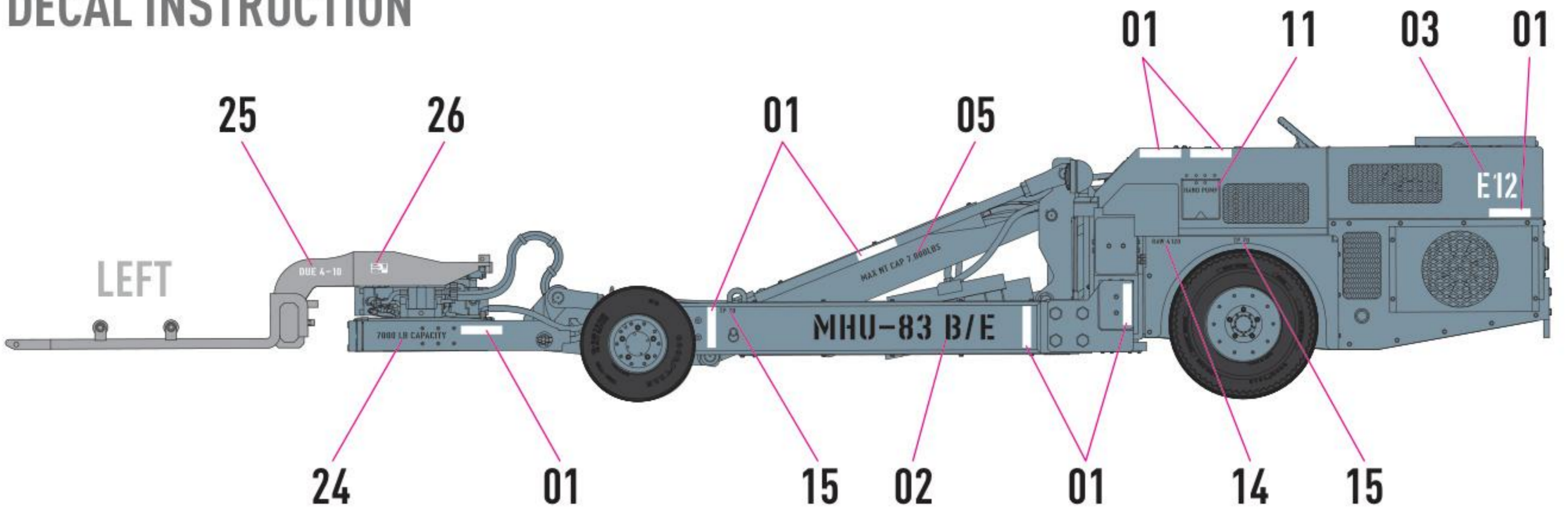
13



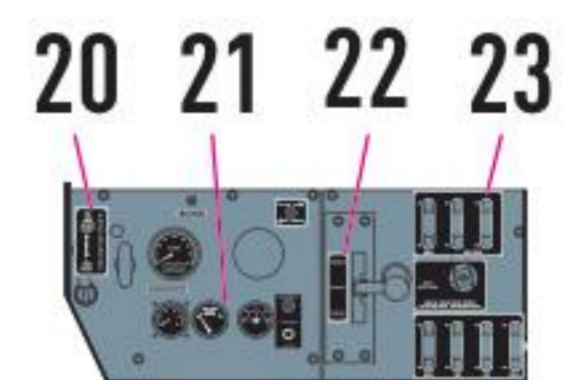
14



# DECAL INSTRUCTION



## INSTRUMENT PANEL



COLORS	GUNZE / AEOEUS	GUNZE / MR.COLOR
GRAYISH BLUE	H337	C337
RED	H3	C3
SEMI GLOSS BLACK		C92
LIGHT GHOST GRAY	H308	C308

general issues: [info@reskit.com.ua](mailto:info@reskit.com.ua) / claim resolution: [claims@reskit.com.ua](mailto:claims@reskit.com.ua)

**RESKIT-MODELS.COM**

[fb.com/reskit.official](https://www.facebook.com/reskit.official)

[instagram.com/reskit\\_official](https://www.instagram.com/reskit_official)

[pinterest.com/reskit\\_official](https://www.pinterest.com/reskit_official)