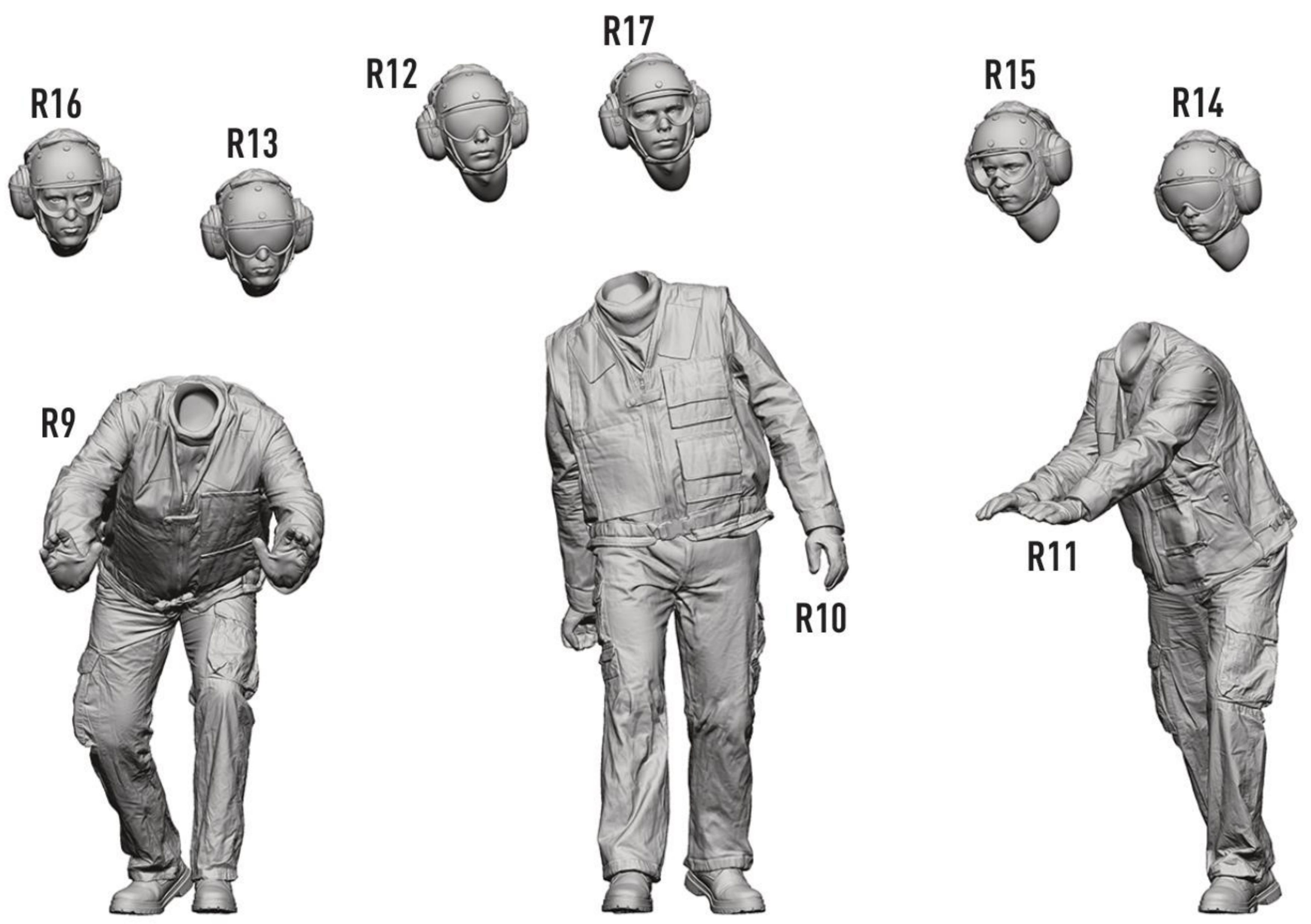
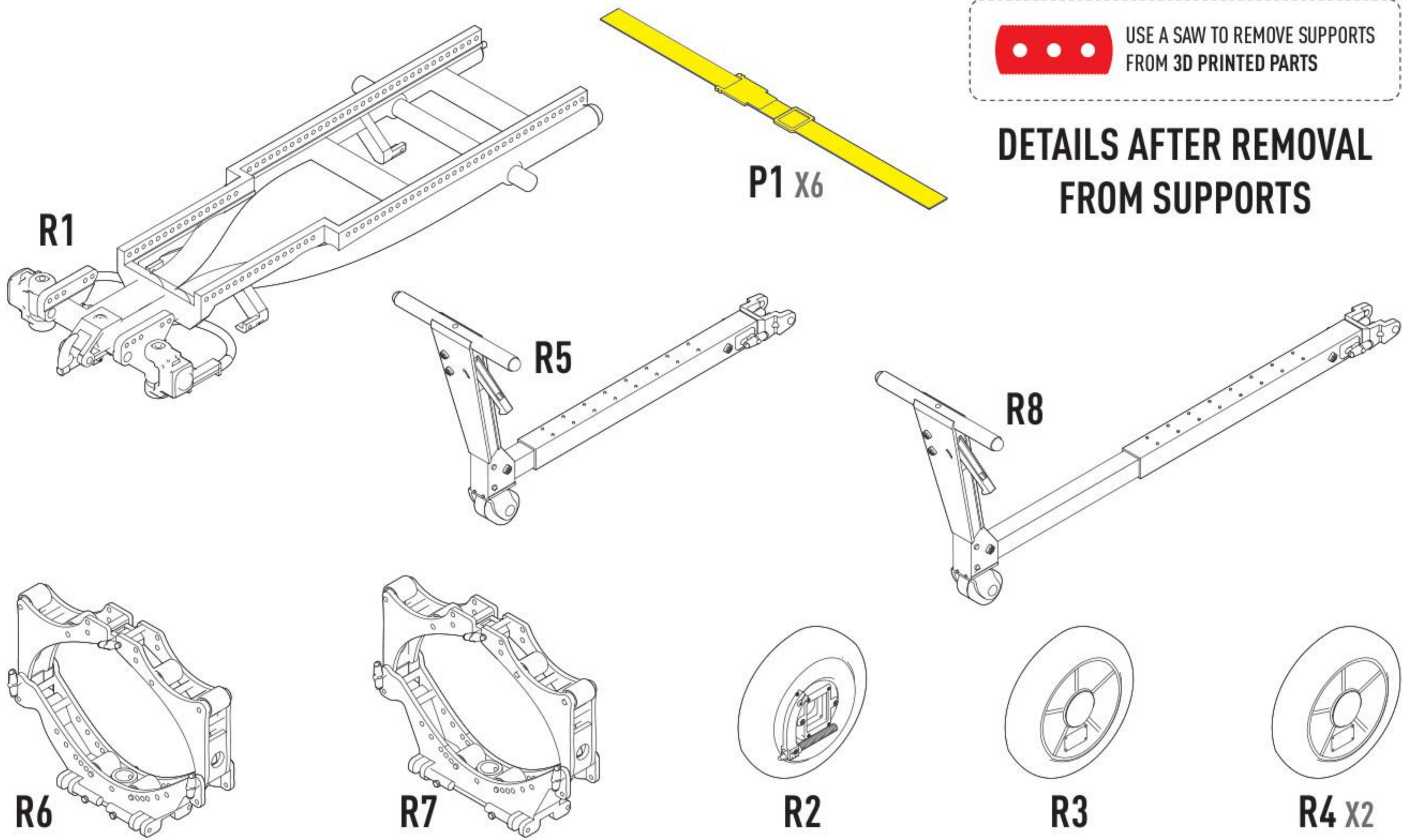
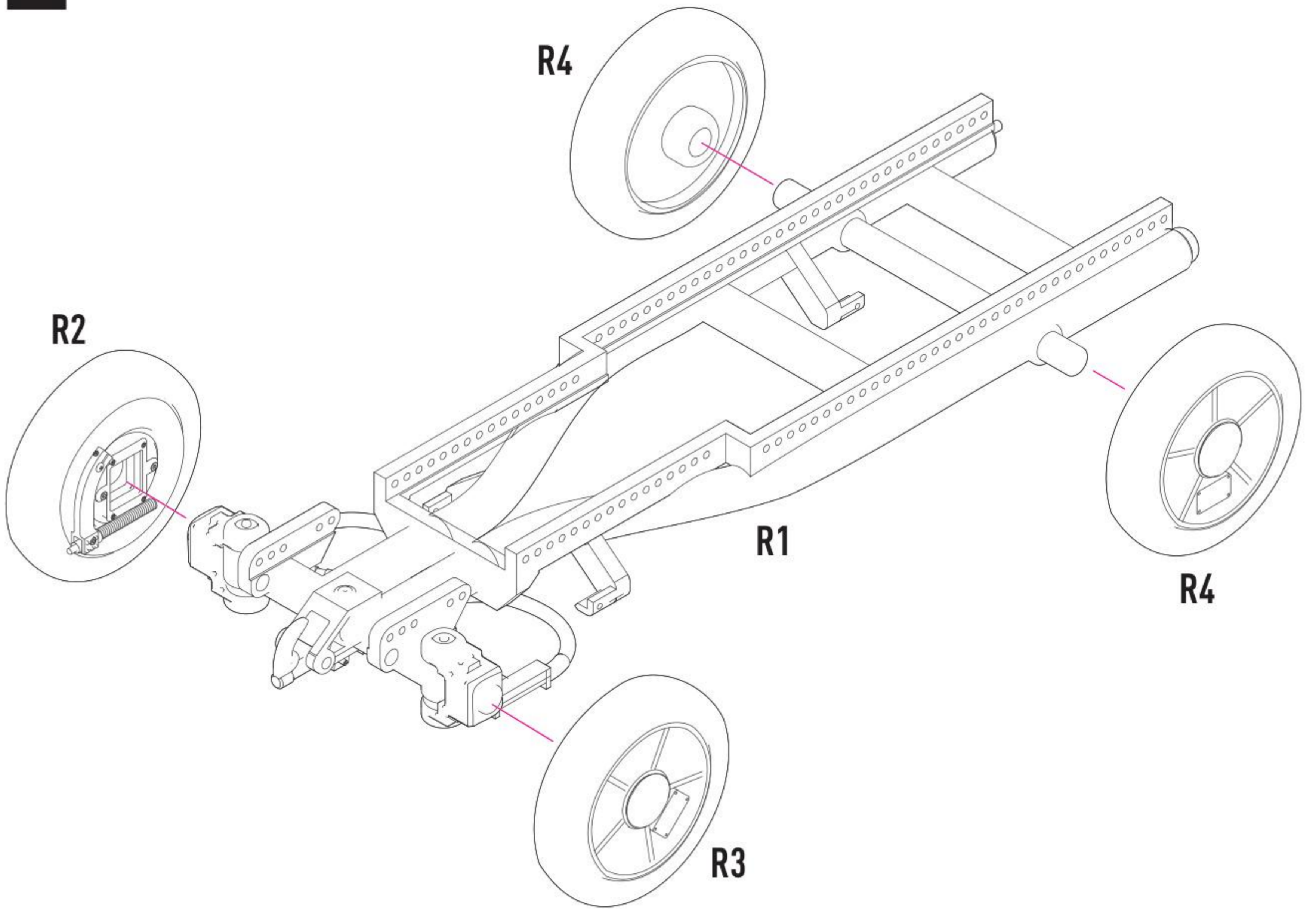
 USE A SAW TO REMOVE SUPPORTS FROM 3D PRINTED PARTS

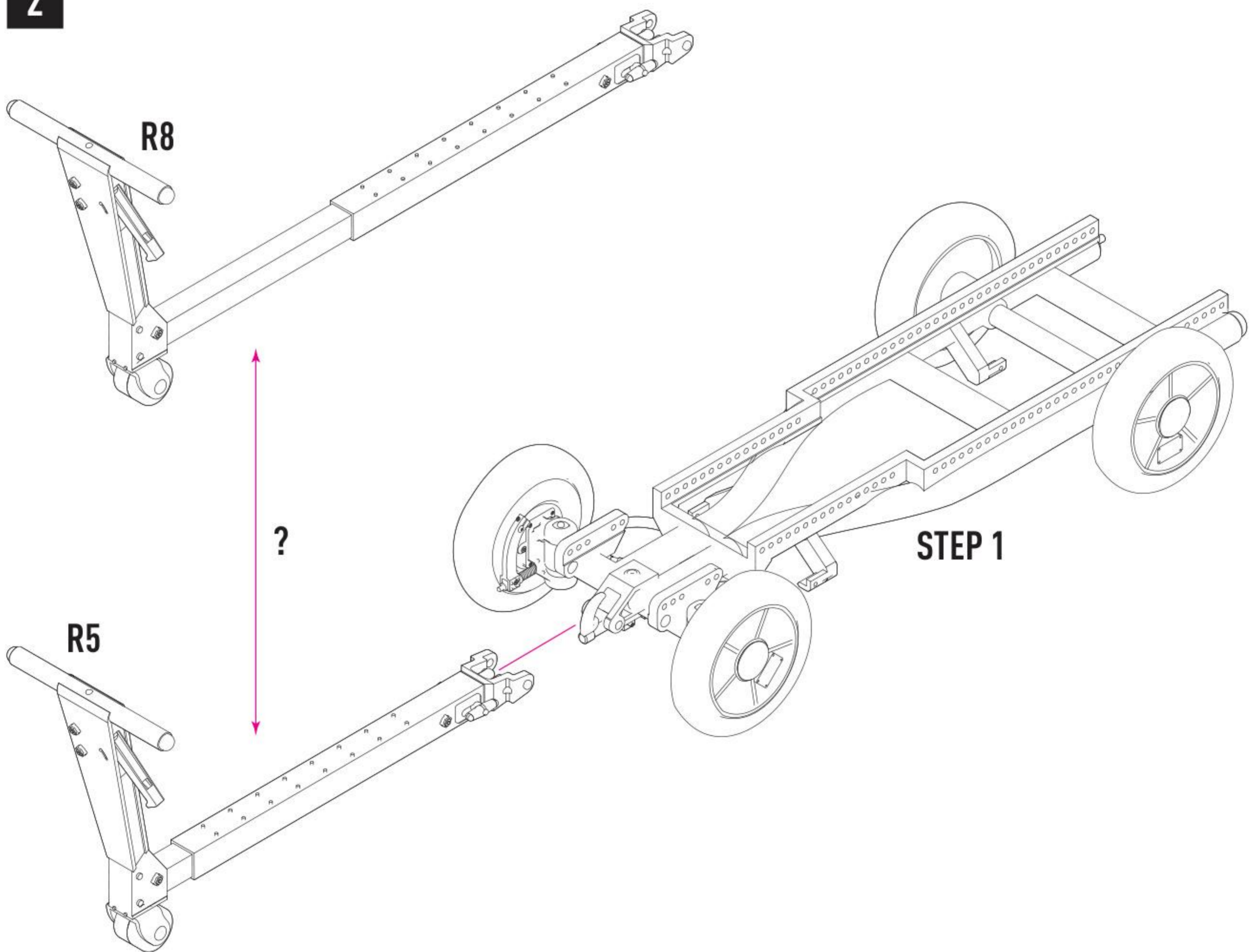
DETAILS AFTER REMOVAL FROM SUPPORTS



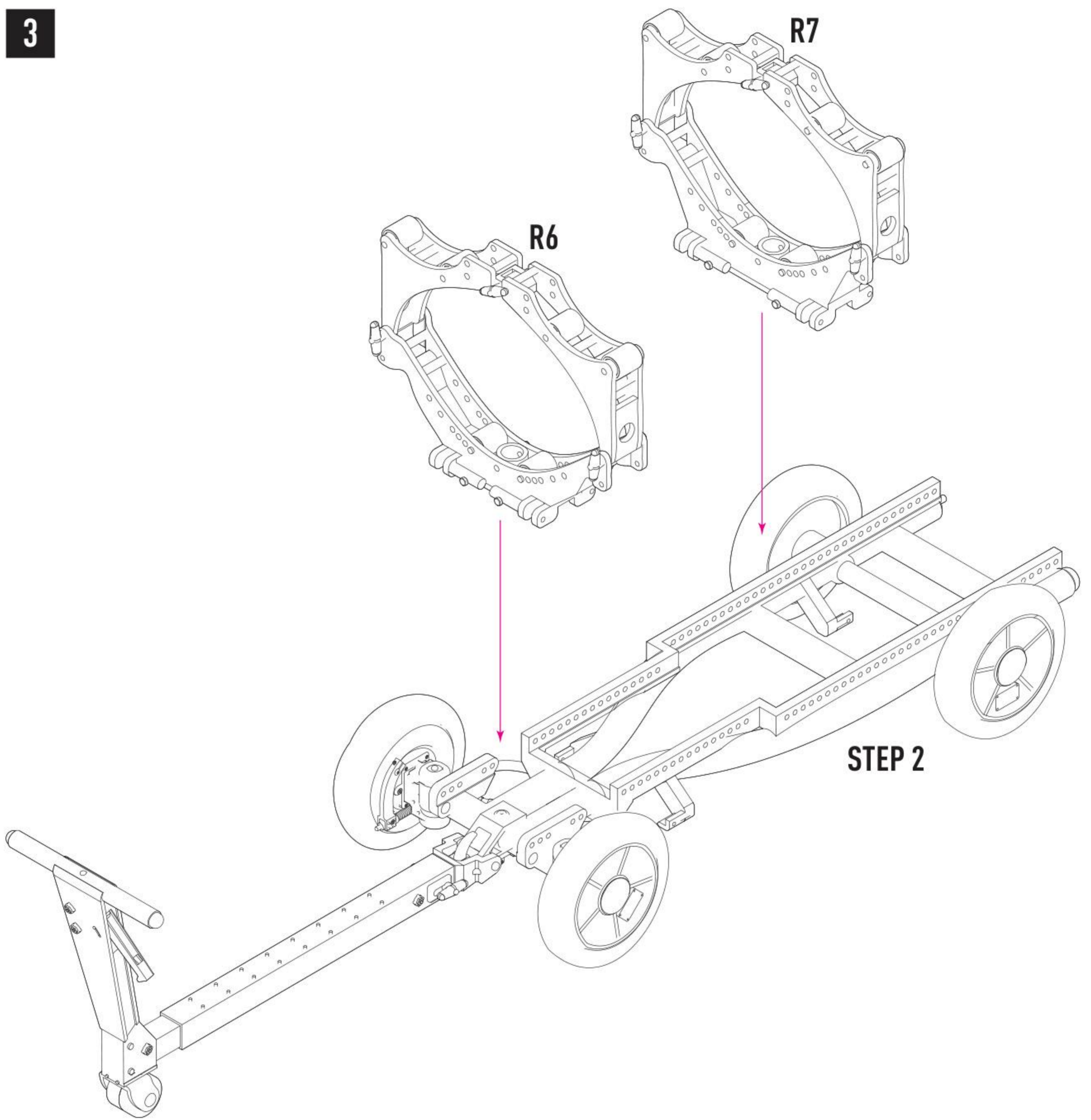
1



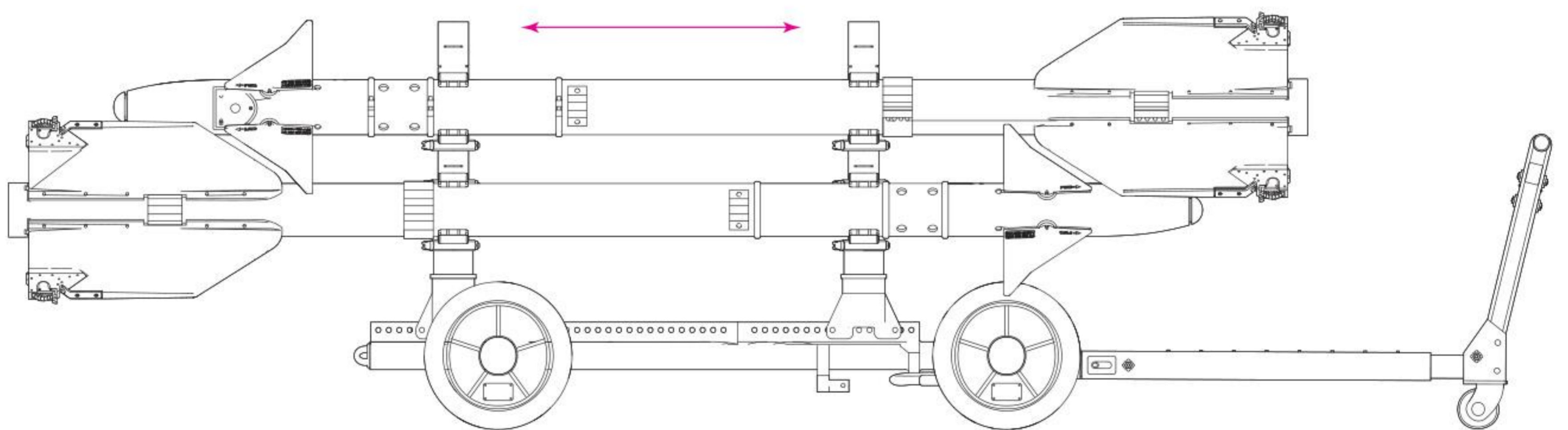
2



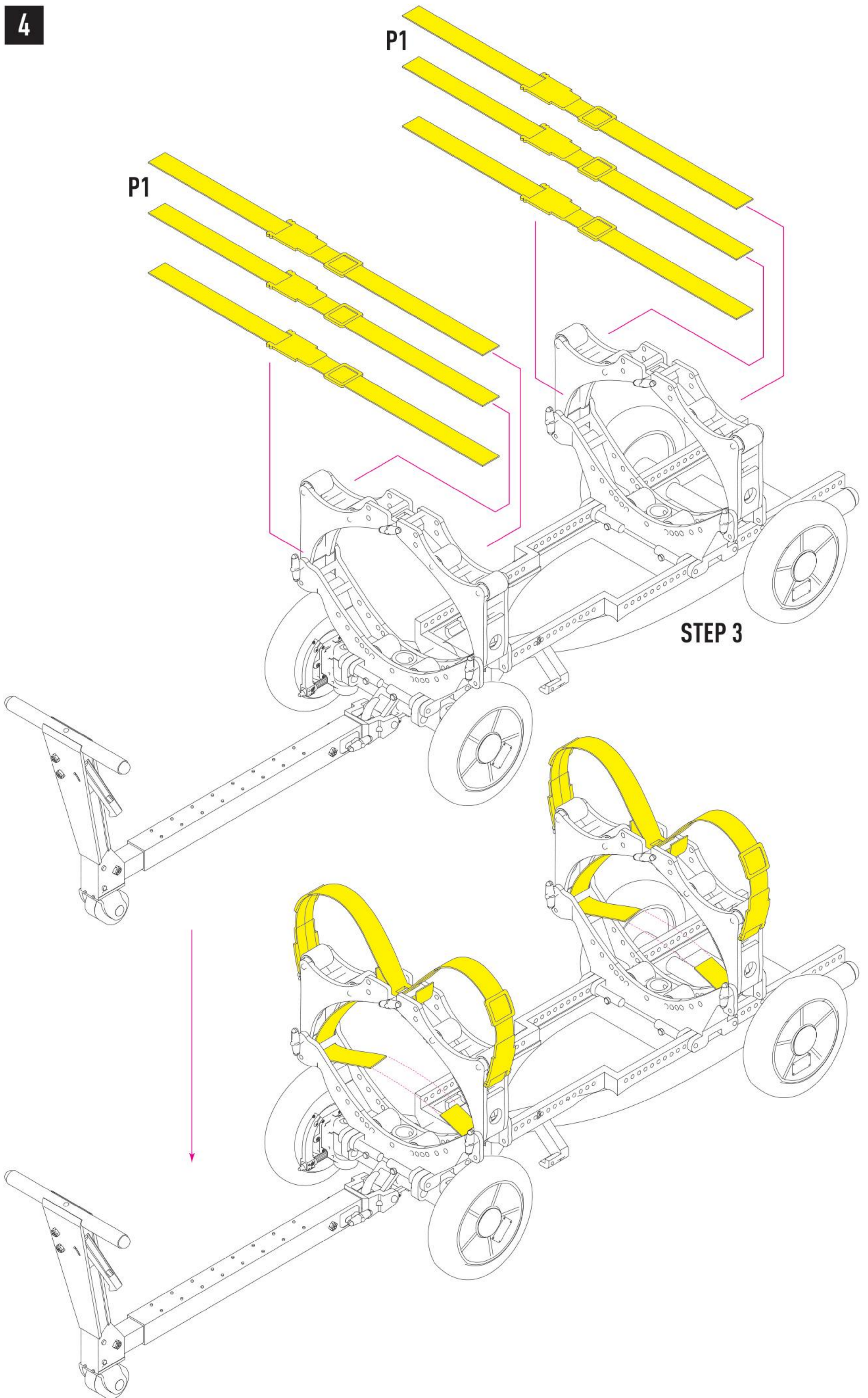
3

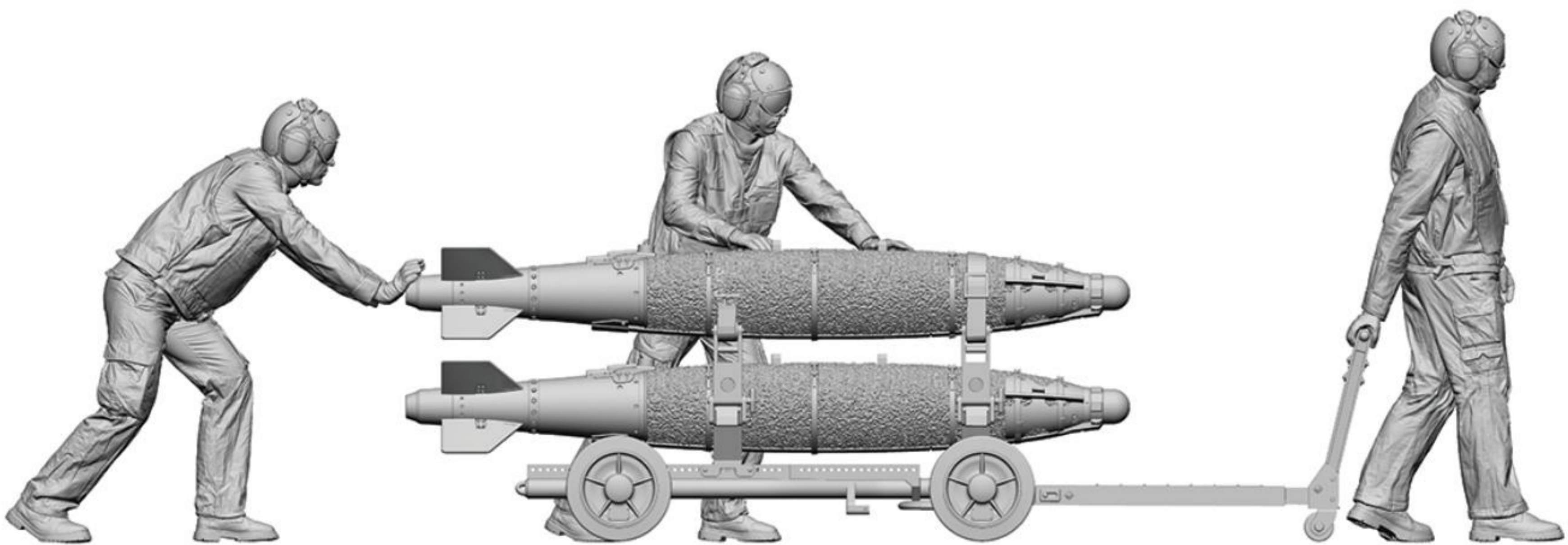
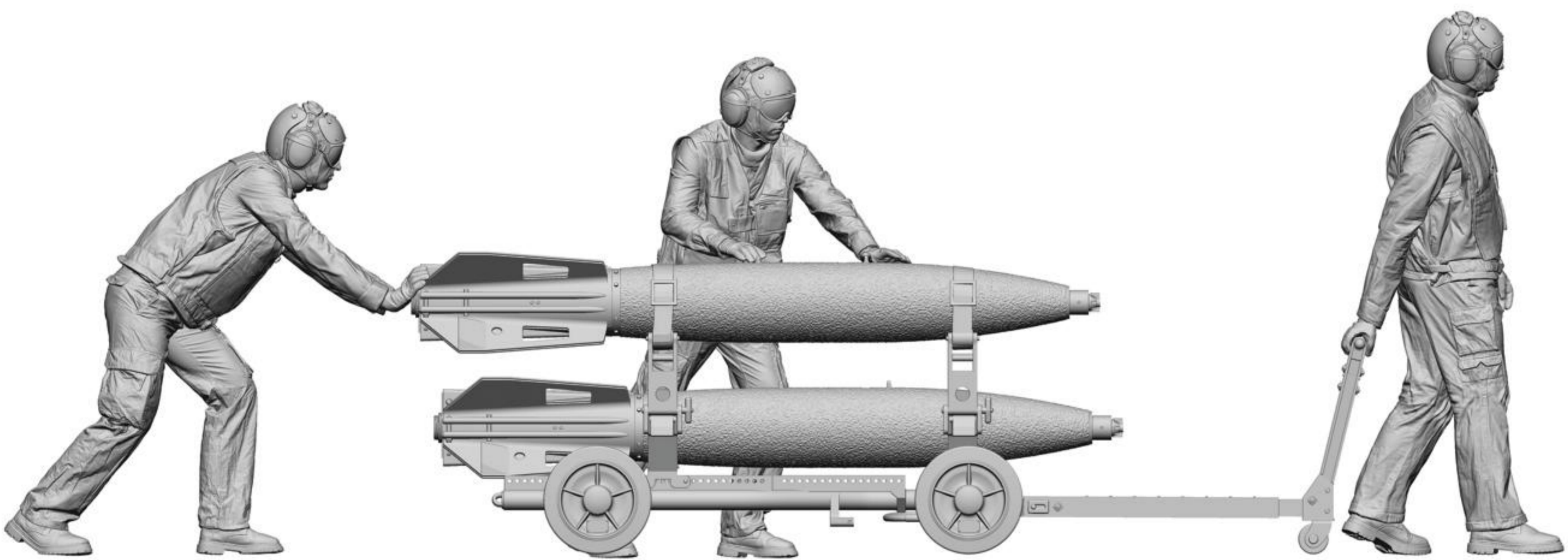
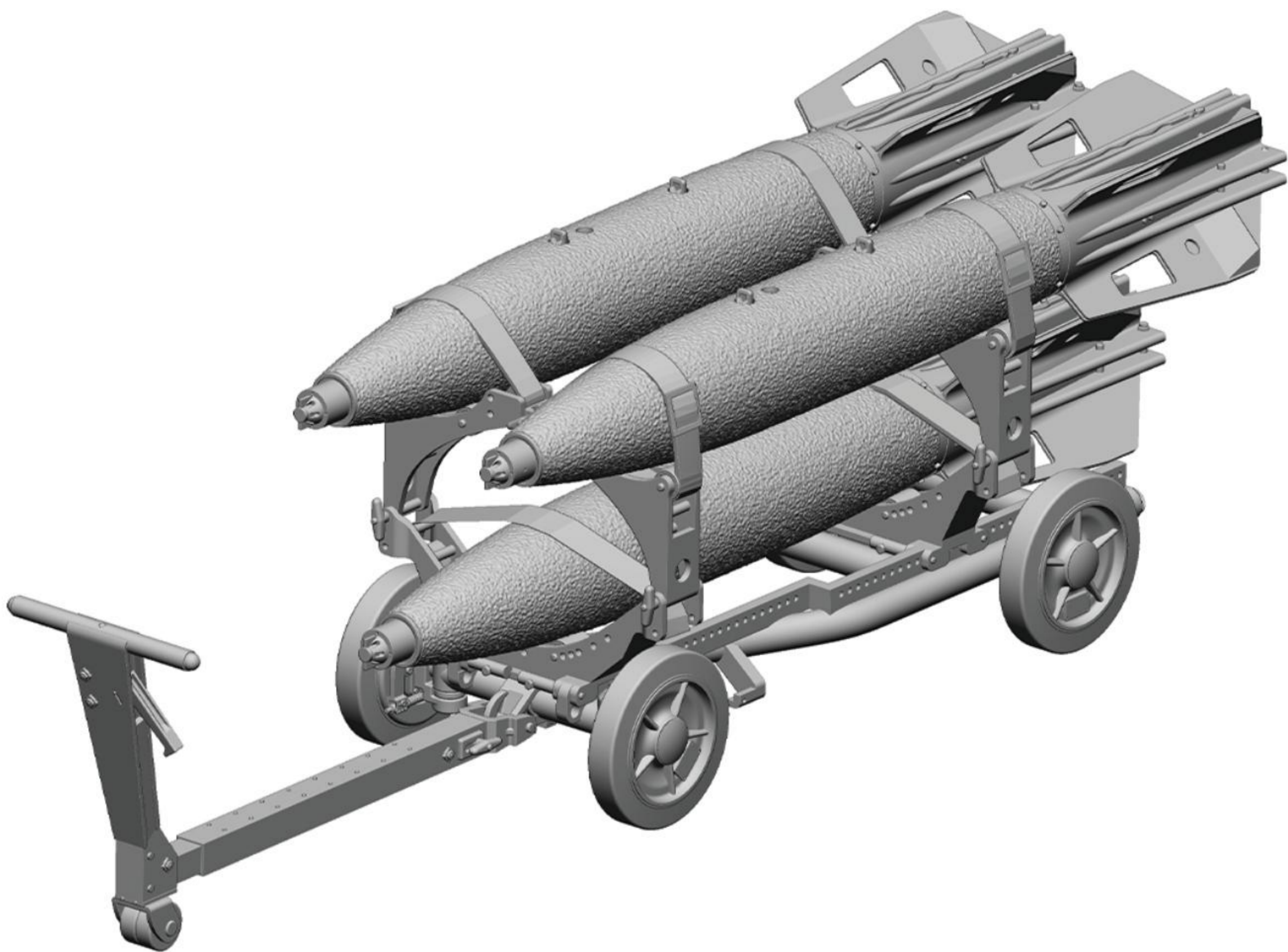


TRY ON AMMUNITION PLACEMENT



**INSTALL USING PHOTOS
AND REFERENCES**





general issues: info@reskit.com.ua / claim resolution: claims@reskit.com.ua

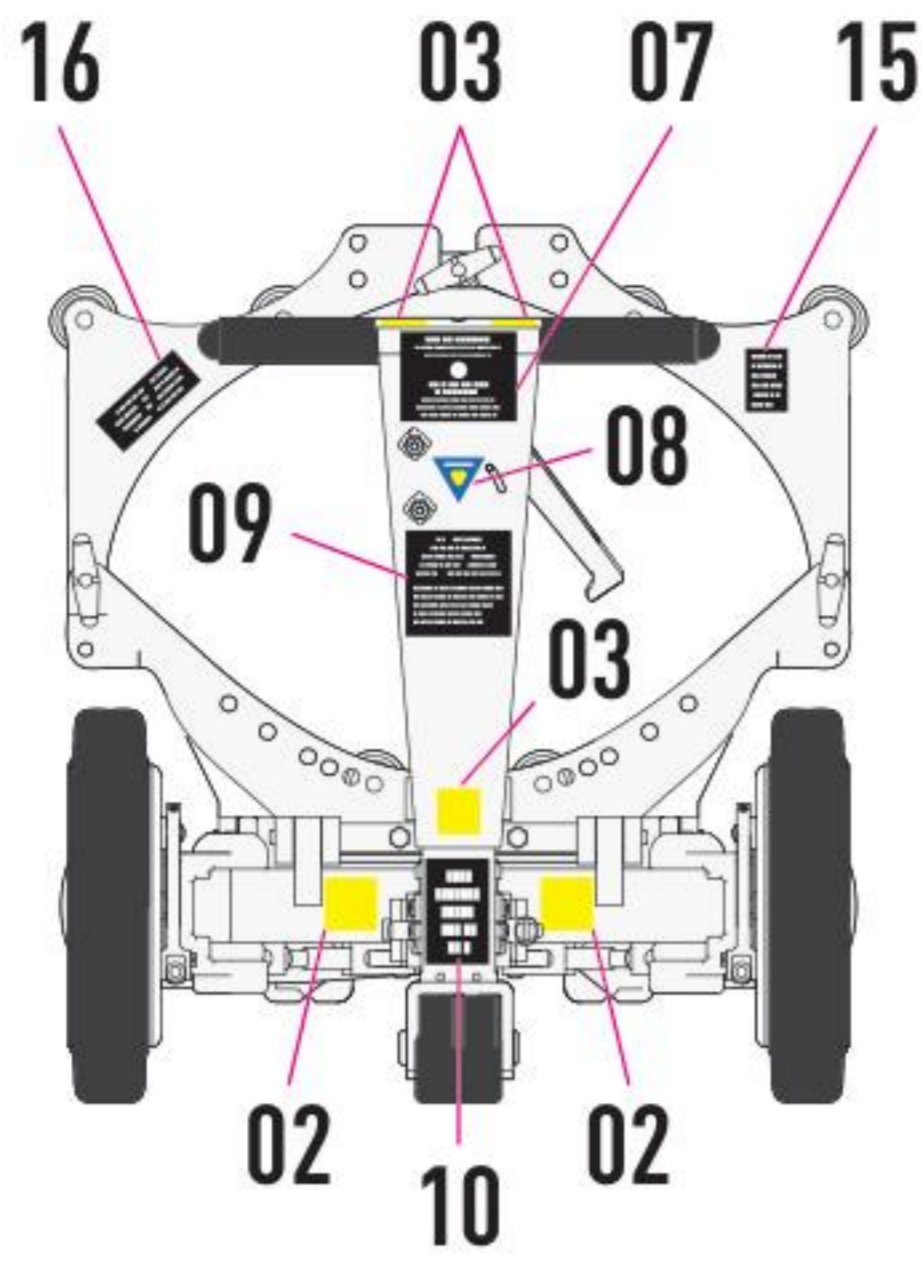
RESKIT-MODELS.COM

 fb.com/reskit.official

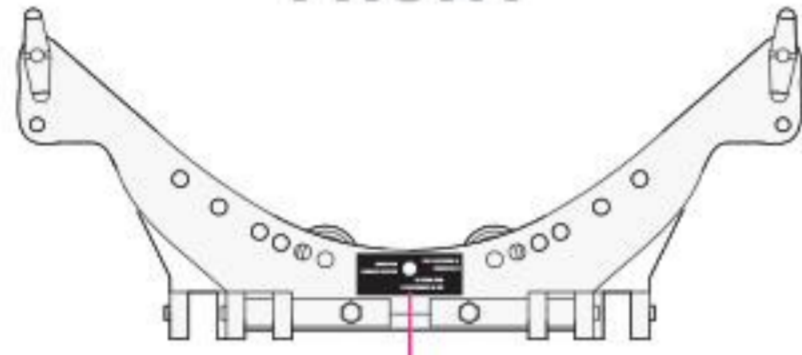
 instagram.com/reskit_official

 youtube.com/@reskit-usmd

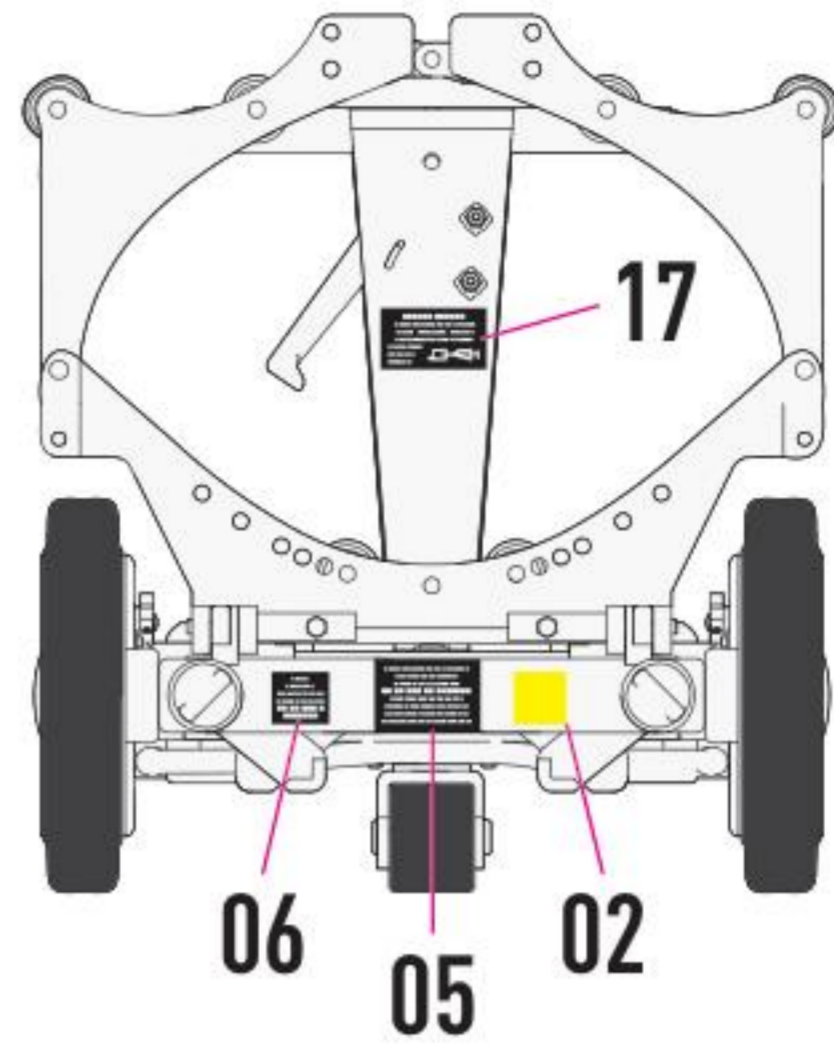
DECALL INSTRUCTION



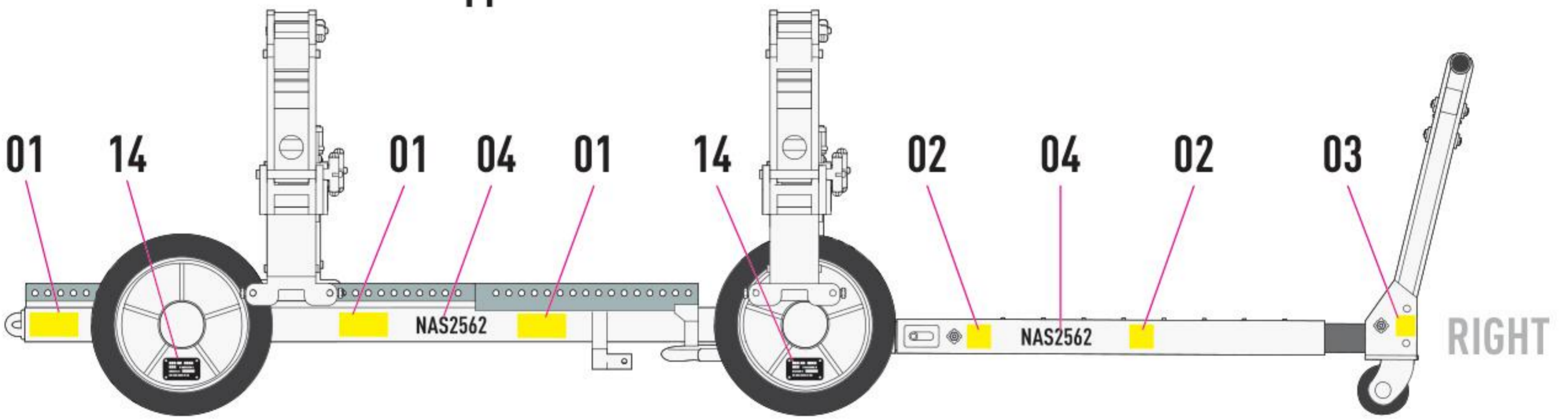
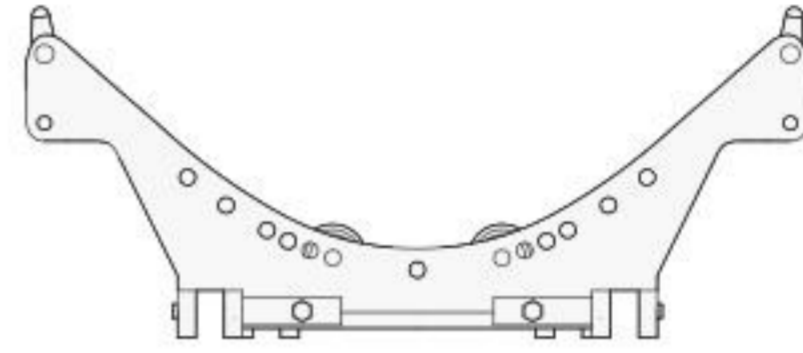
FRONT



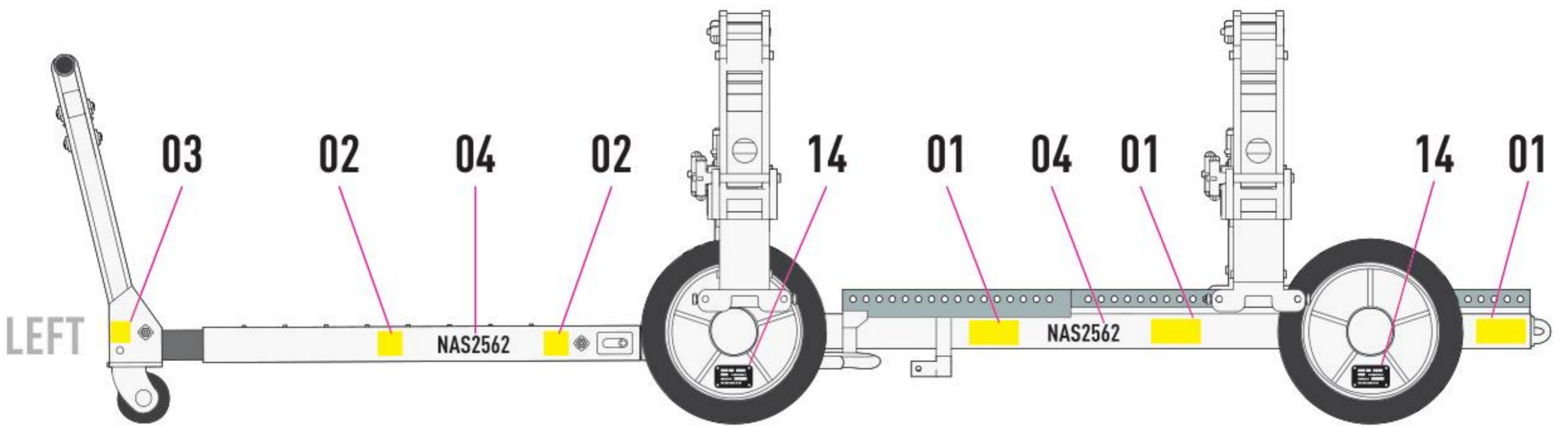
11



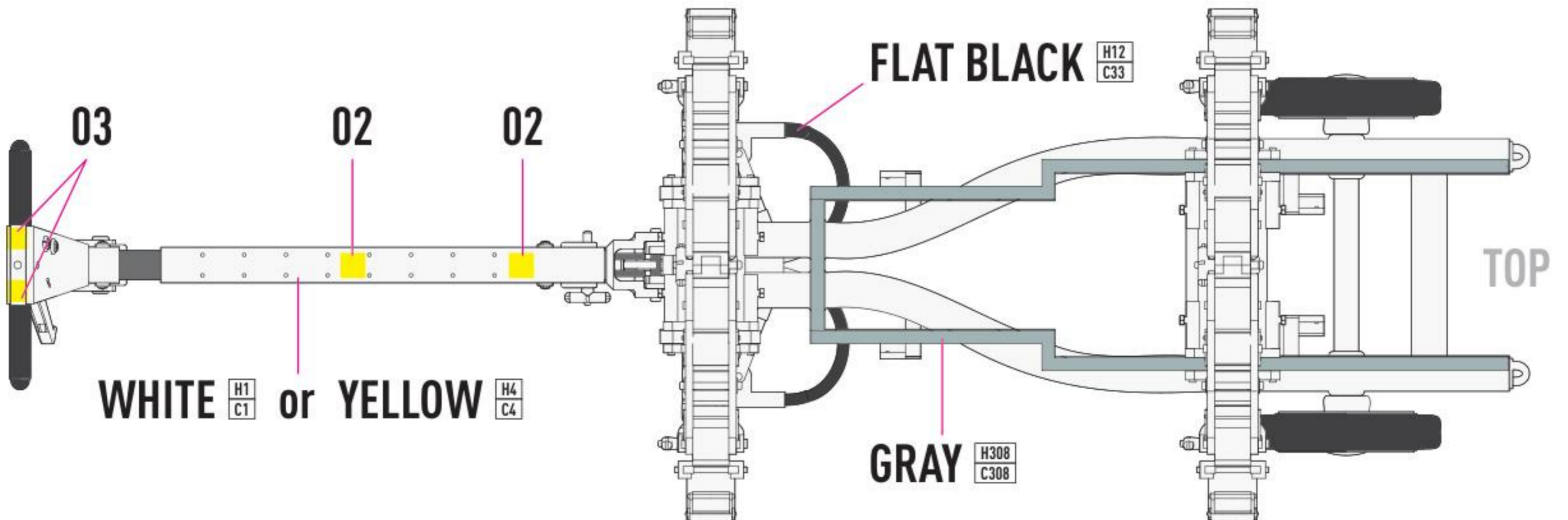
BACK



RIGHT



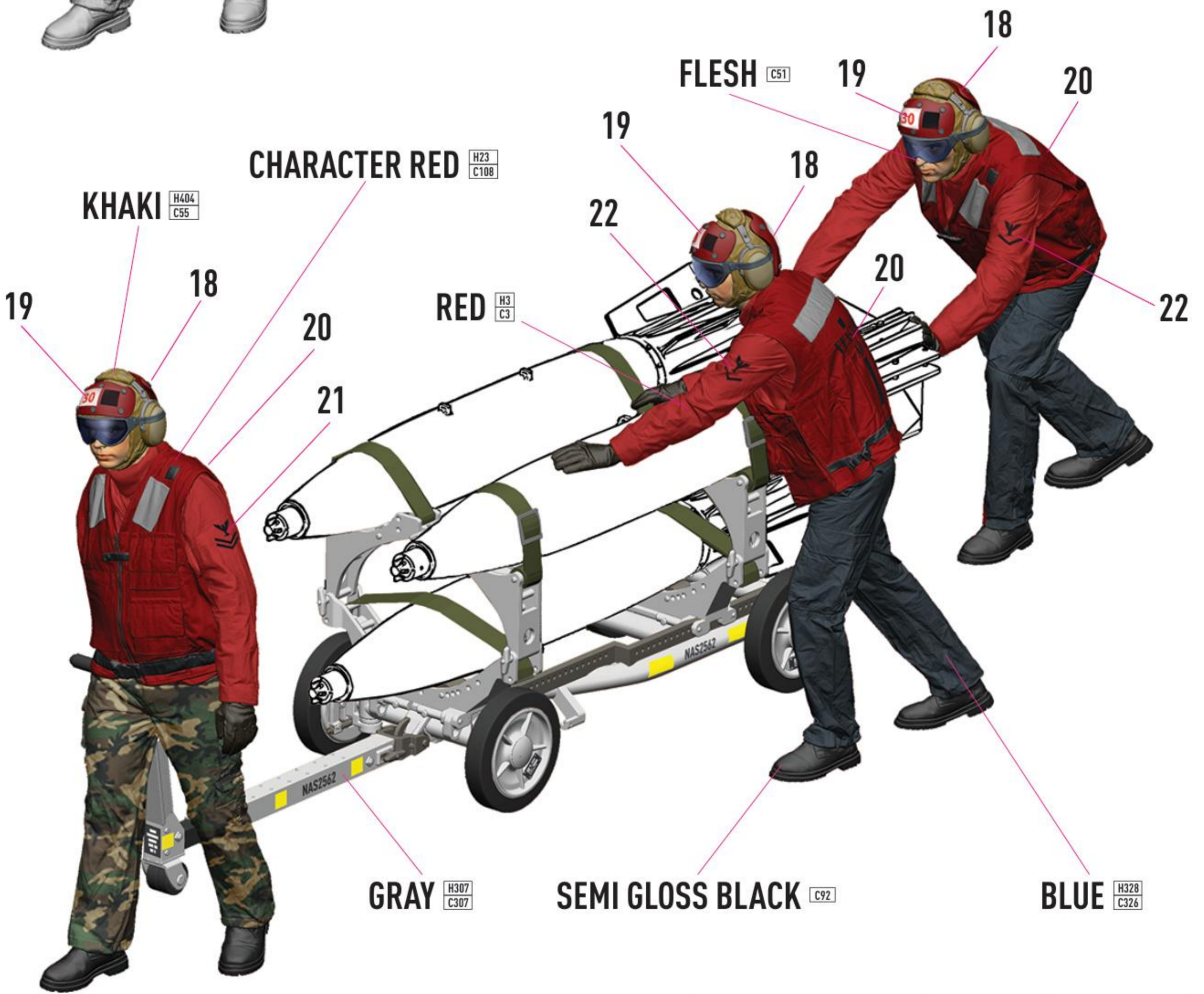
LEFT



COLORS	GUNZE / AQUEOUS	GUNZE / MR.COLOR
WHITE	H1	C1
YELLOW	H4	C4

COLORS	GUNZE / AQUEOUS	GUNZE / MR.COLOR
GRAY	H308	C308

COLORS	GUNZE / AQUEOUS	GUNZE / MR.COLOR
FLAT BLACK	H12	C33



COLORS	GUNZE / AQEOUS	GUNZE / MR.COLOR
 CHARACTER RED	H23	C108
 RED	H3	C3
 KHAKI	H404	C55

COLORS	GUNZE / AQEOUS	GUNZE / MR.COLOR
 FLESH		C51
 BLUE	H328	C326
 GRAY	H307	C307
 SEMI GLOSS BLACK		C92

**YOU CAN FIND INSTRUCTIONS
IN PDF FORMAT ON THE WEBSITE**

RESKIT-MODELS.COM

General Issues: info@reskit.com.ua

Wholesales: sales@reskit.com.ua

Claim Resolution: claims@reskit.com.ua