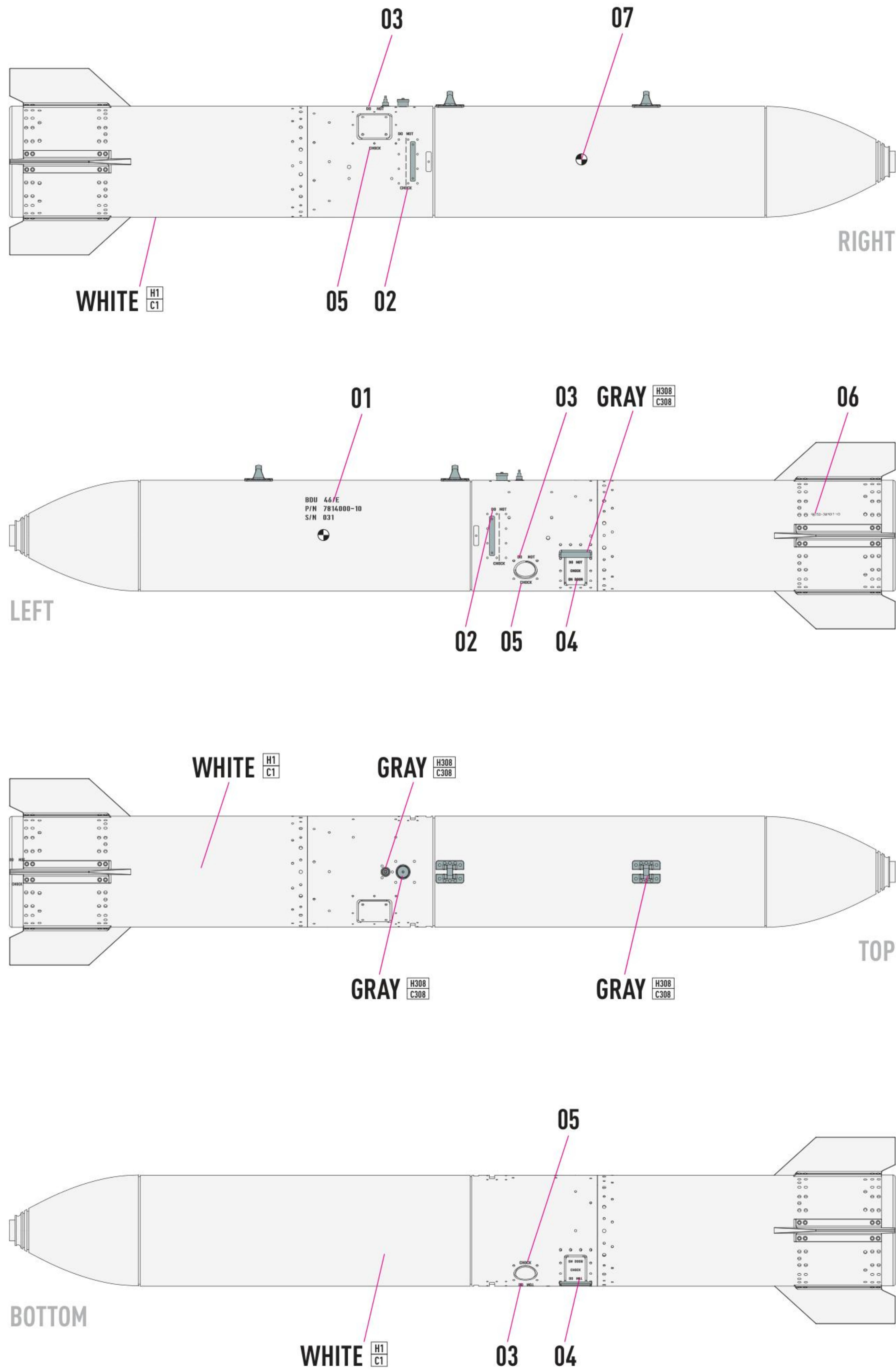


DECAL INSTRUCTION

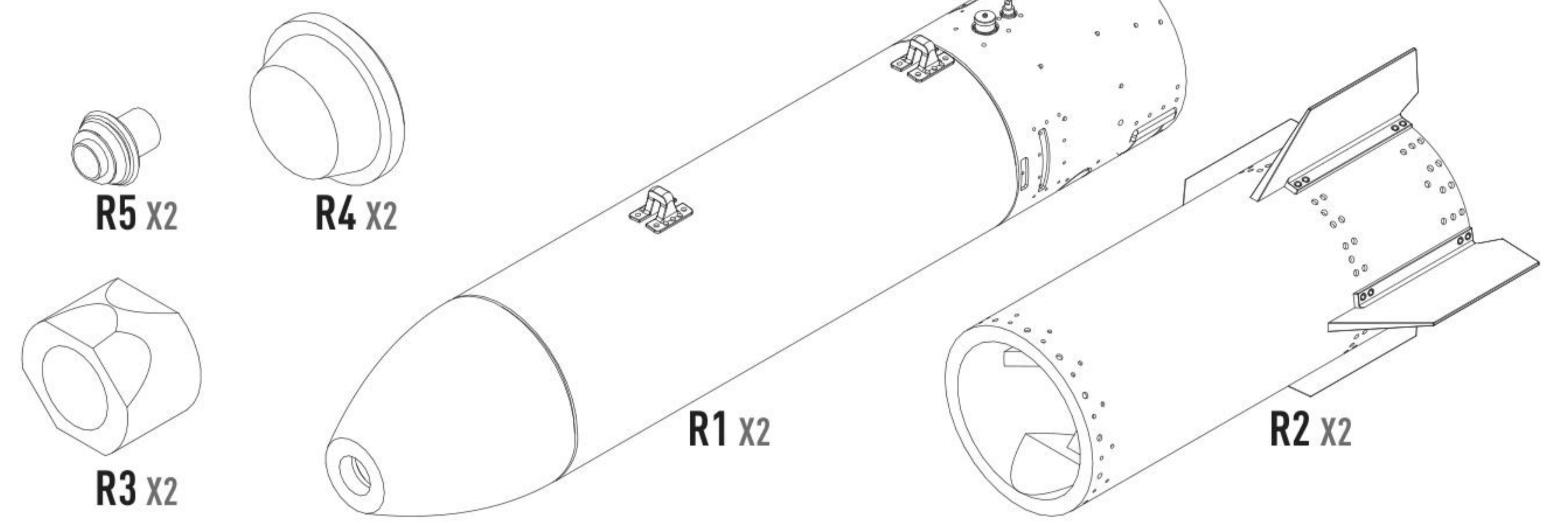


COLORS	GUNZE / AOEIUS	GUNZE / MR.COLOR
GRAY	H308	C308

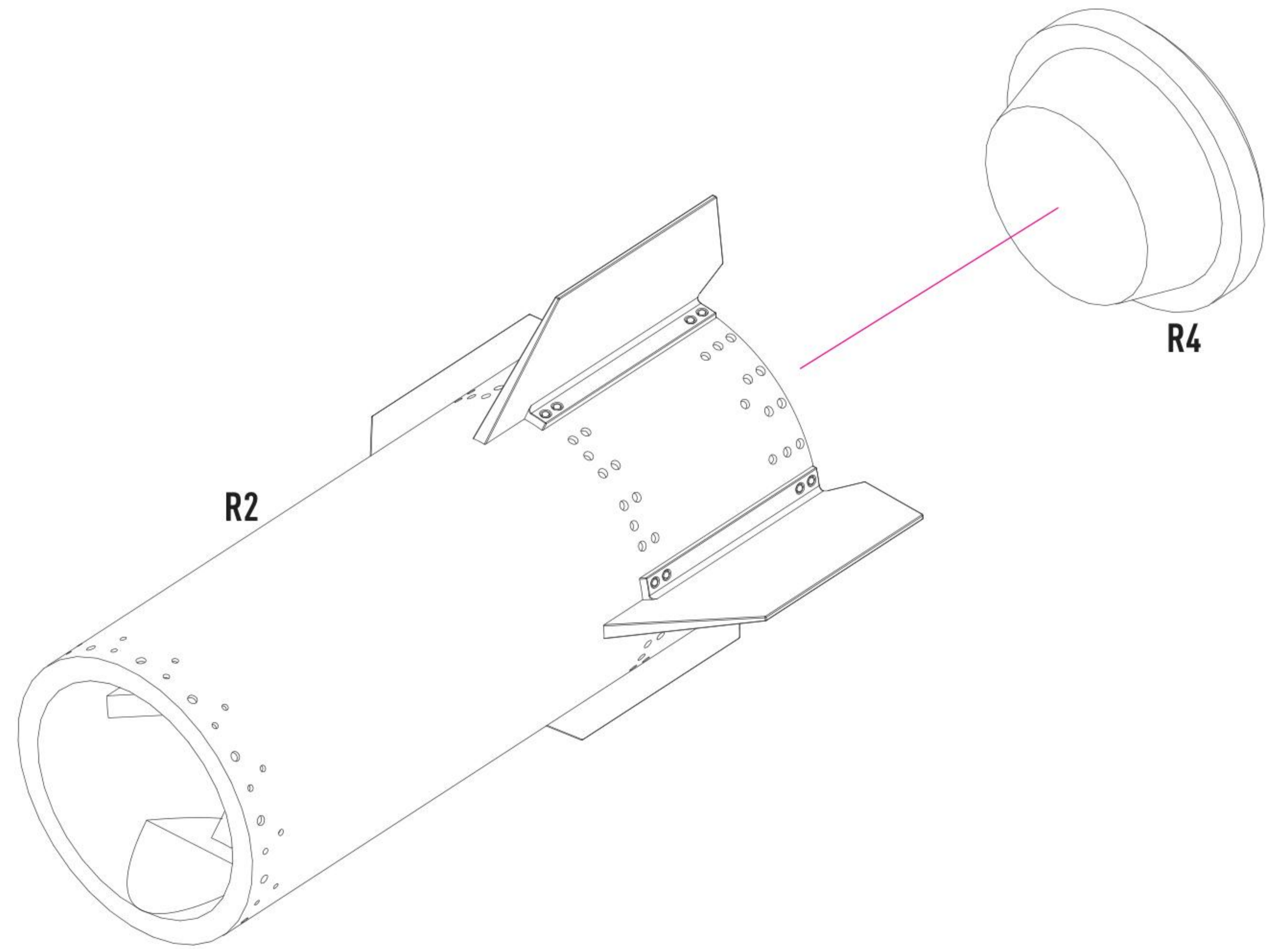
COLORS	GUNZE / AOEIUS	GUNZE / MR.COLOR
WHITE	H1	C1

USE A SAW TO REMOVE SUPPORTS FROM 3D PRINTED PARTS

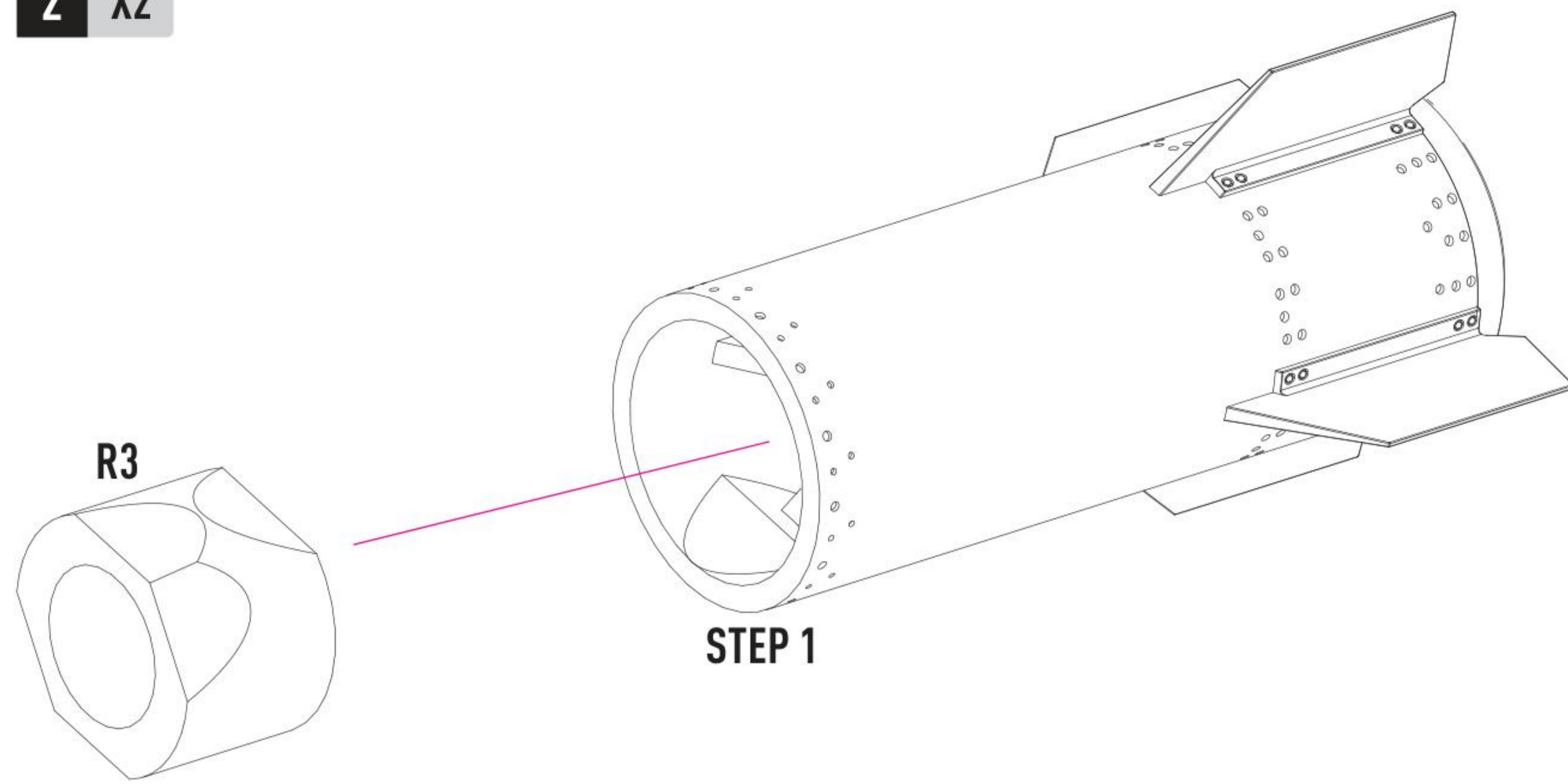
DETAILS AFTER REMOVAL FROM SUPPORTS



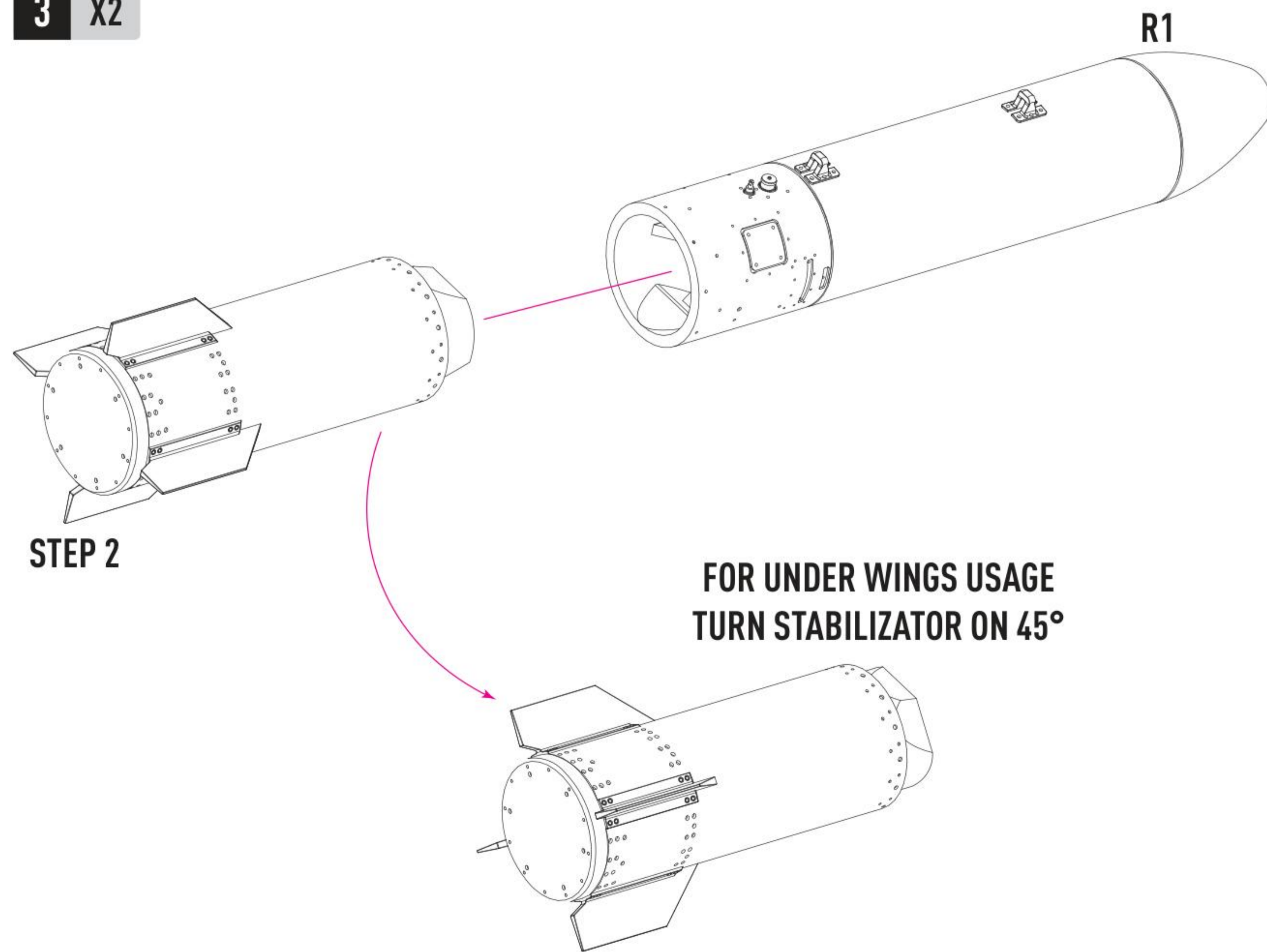
1 X2



2 X2



3 X2



4 X2

