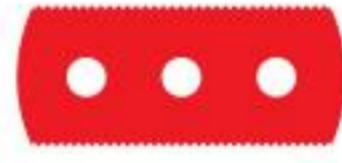
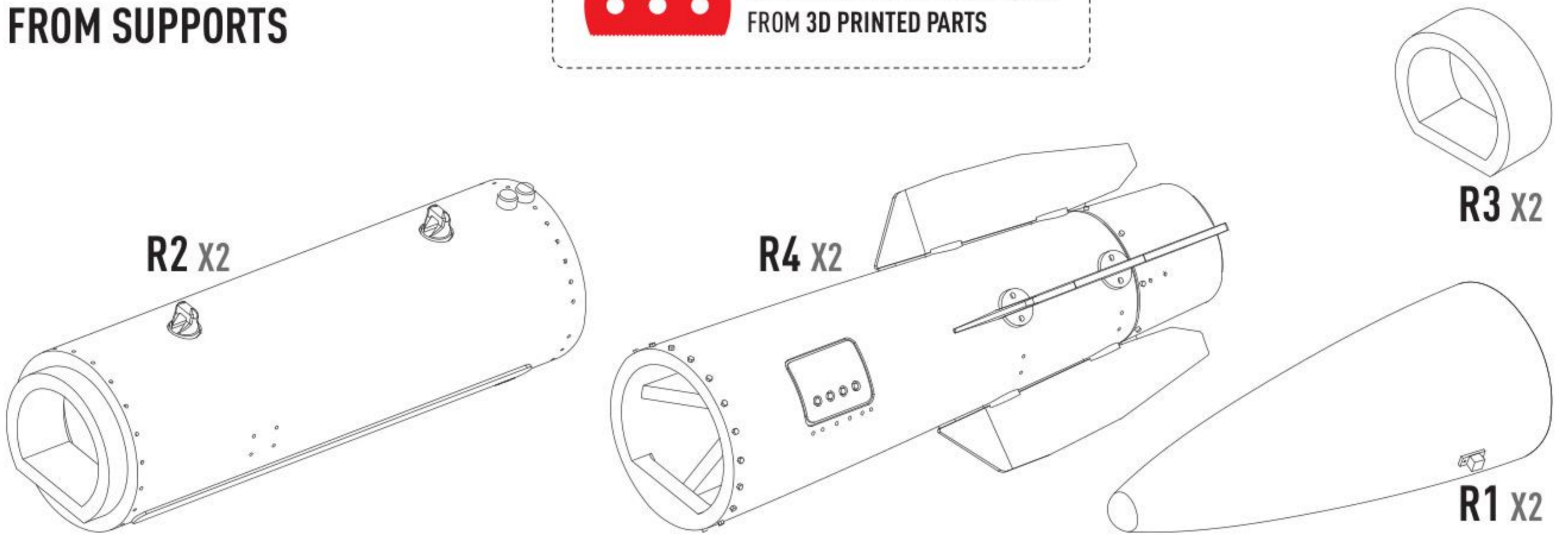


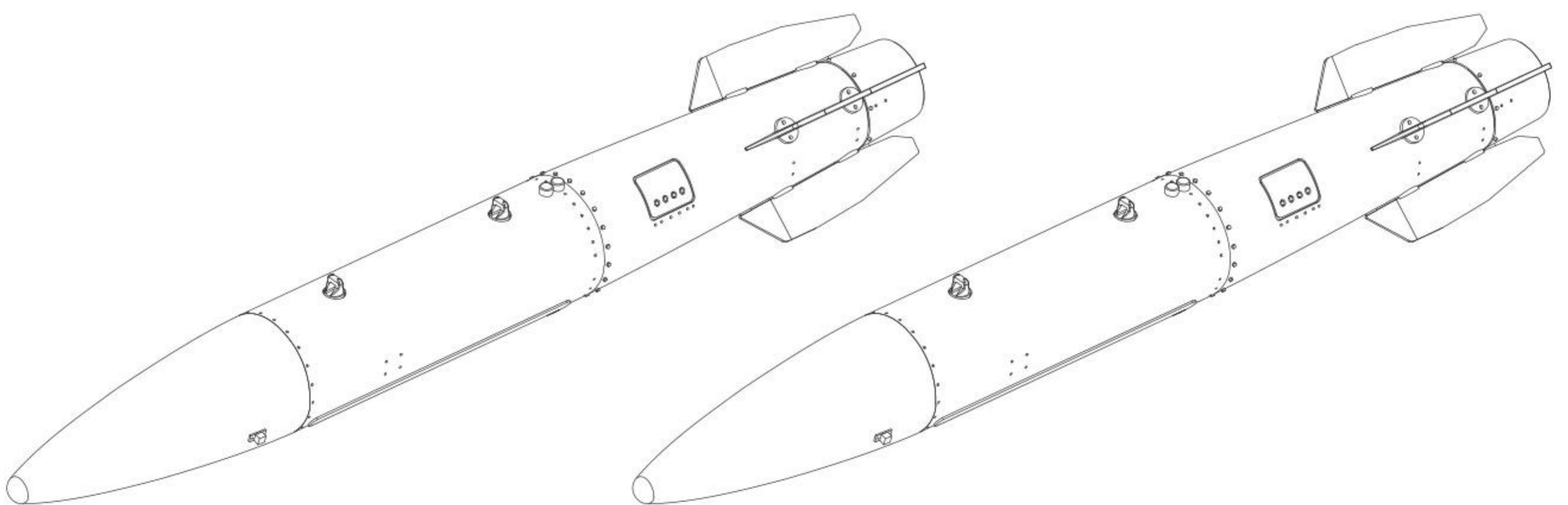
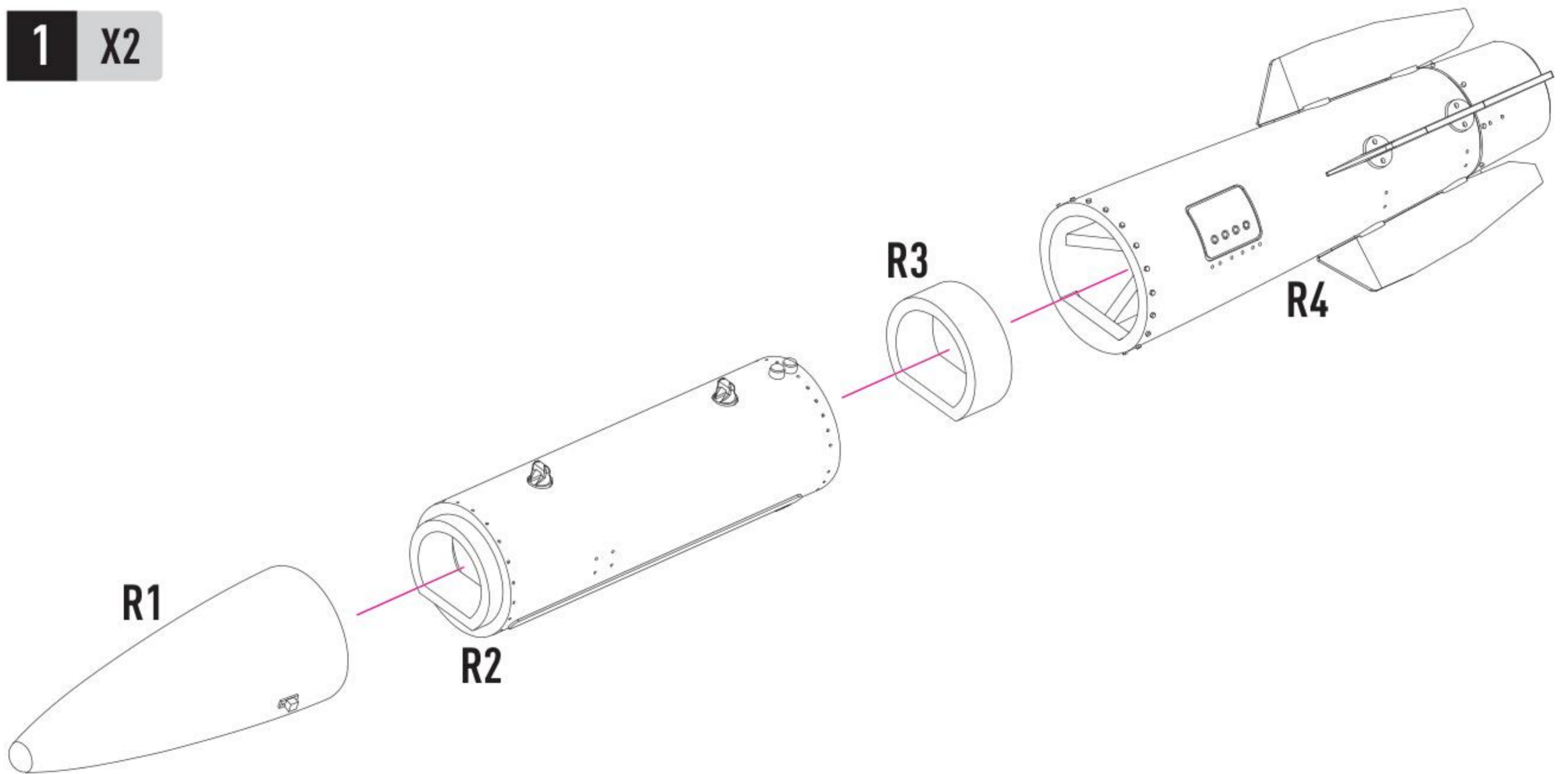
**DETAILS AFTER REMOVAL
 FROM SUPPORTS**

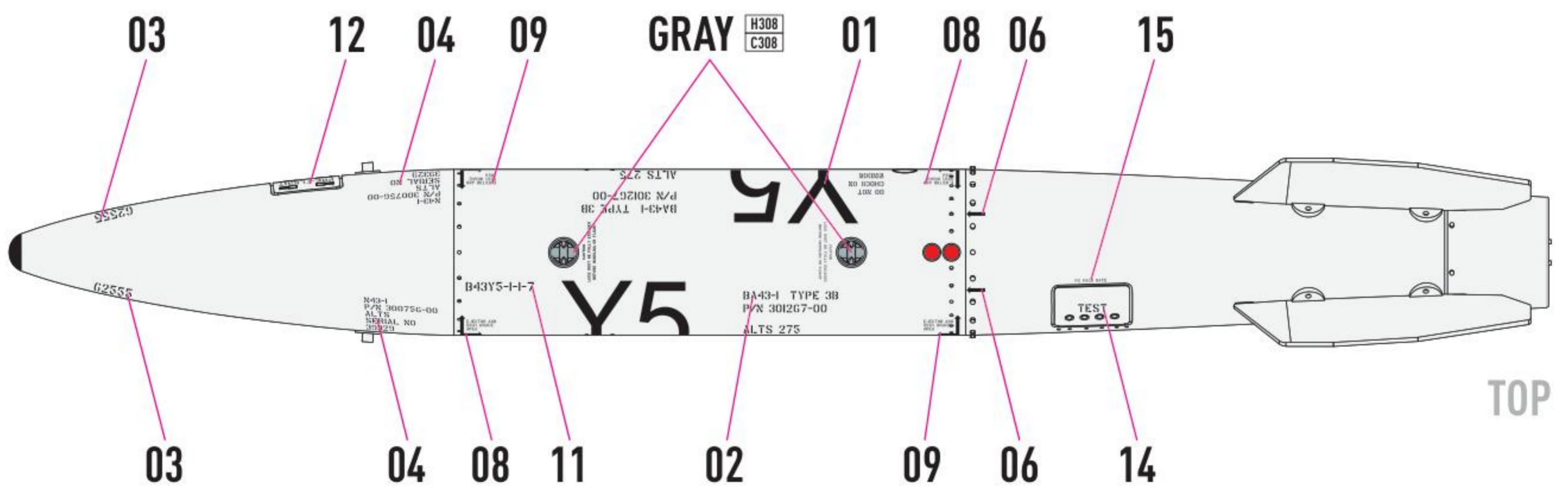
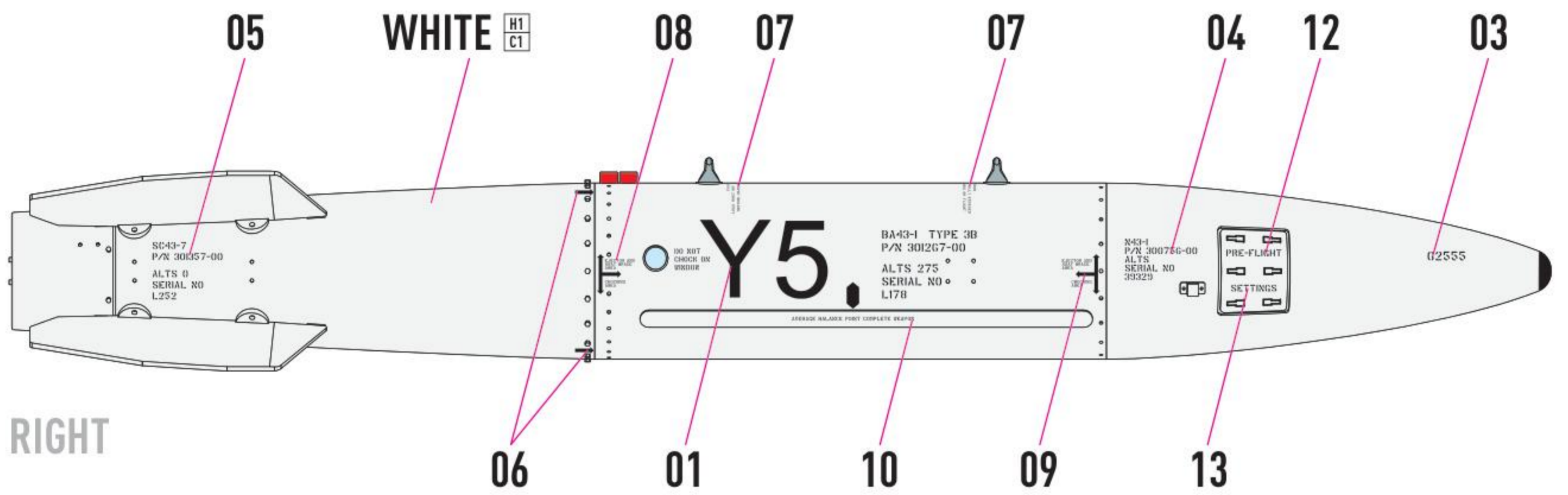
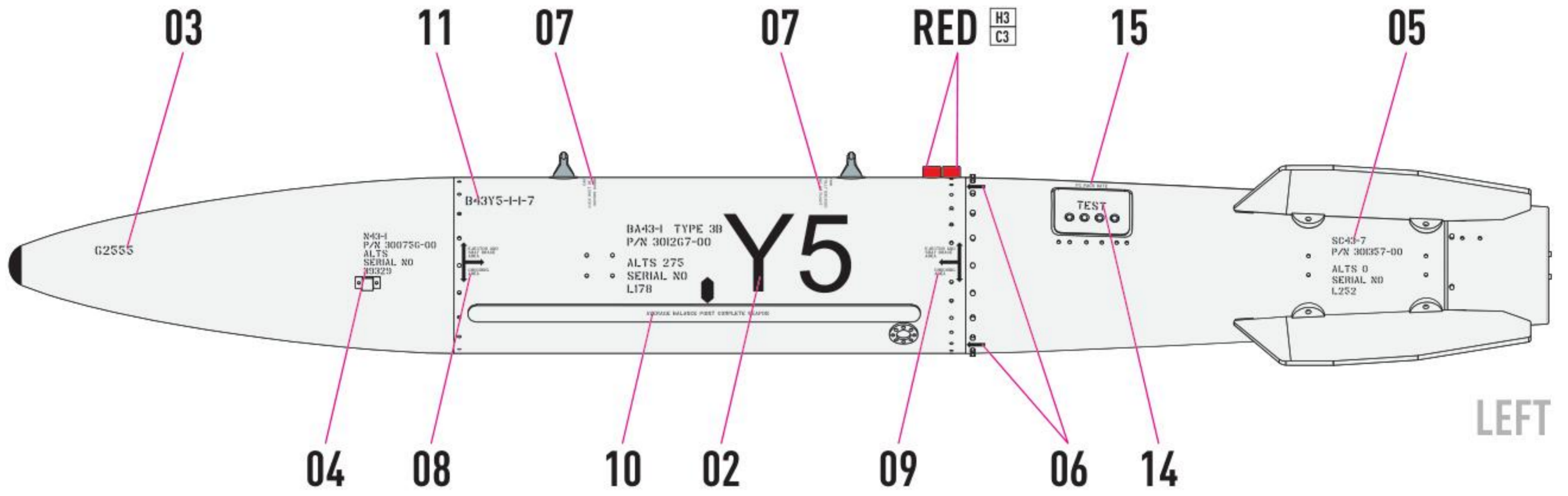


USE A SAW TO REMOVE SUPPORTS
 FROM 3D PRINTED PARTS



1 X2





COLORS	GUNZE / AQUEOUS	GUNZE / MR.COLOR
GRAY	H308	C308

COLORS	GUNZE / AQUEOUS	GUNZE / MR.COLOR
WHITE	H1	C1

COLORS	GUNZE / AQUEOUS	GUNZE / MR.COLOR
RED	H3	C3