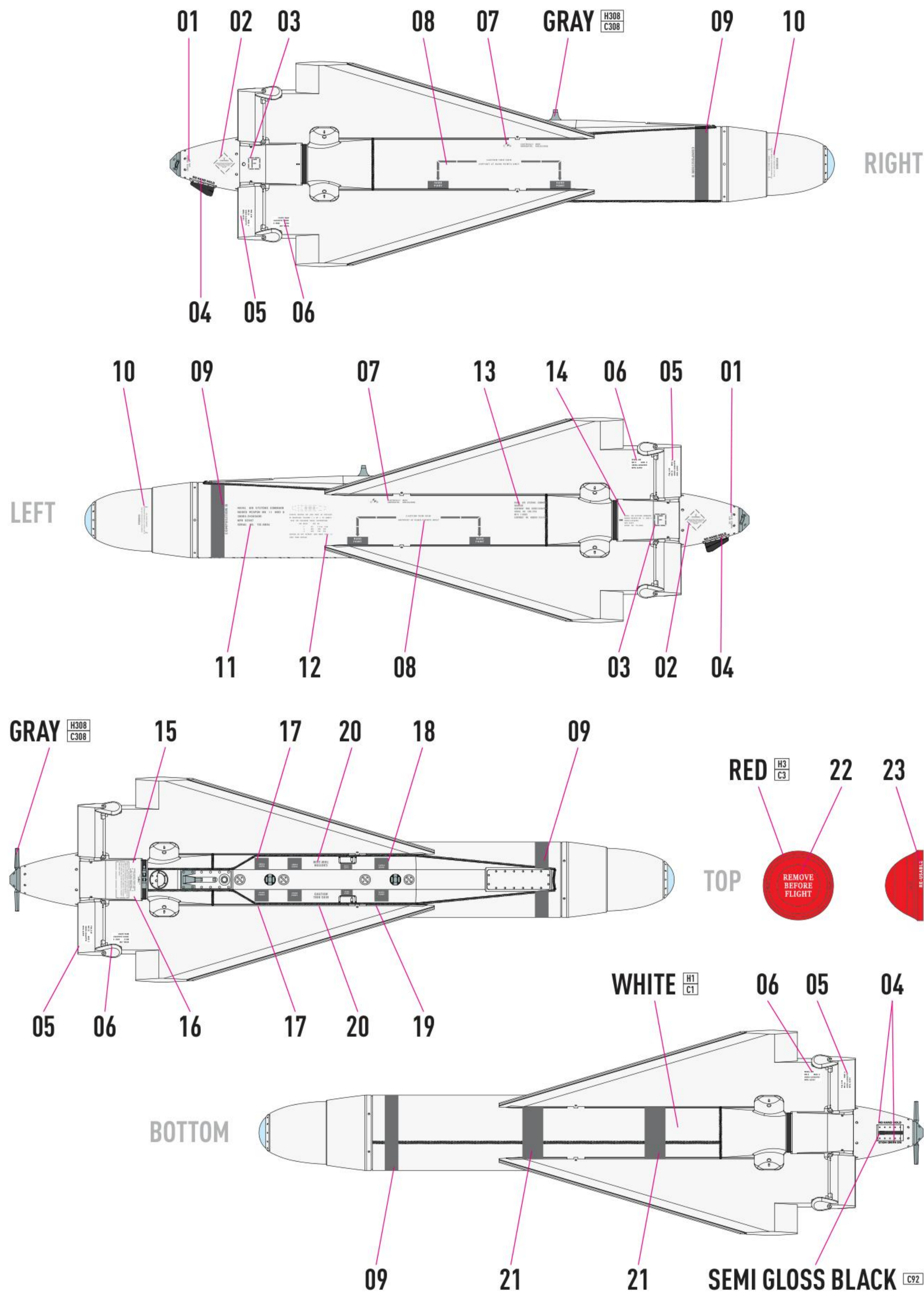
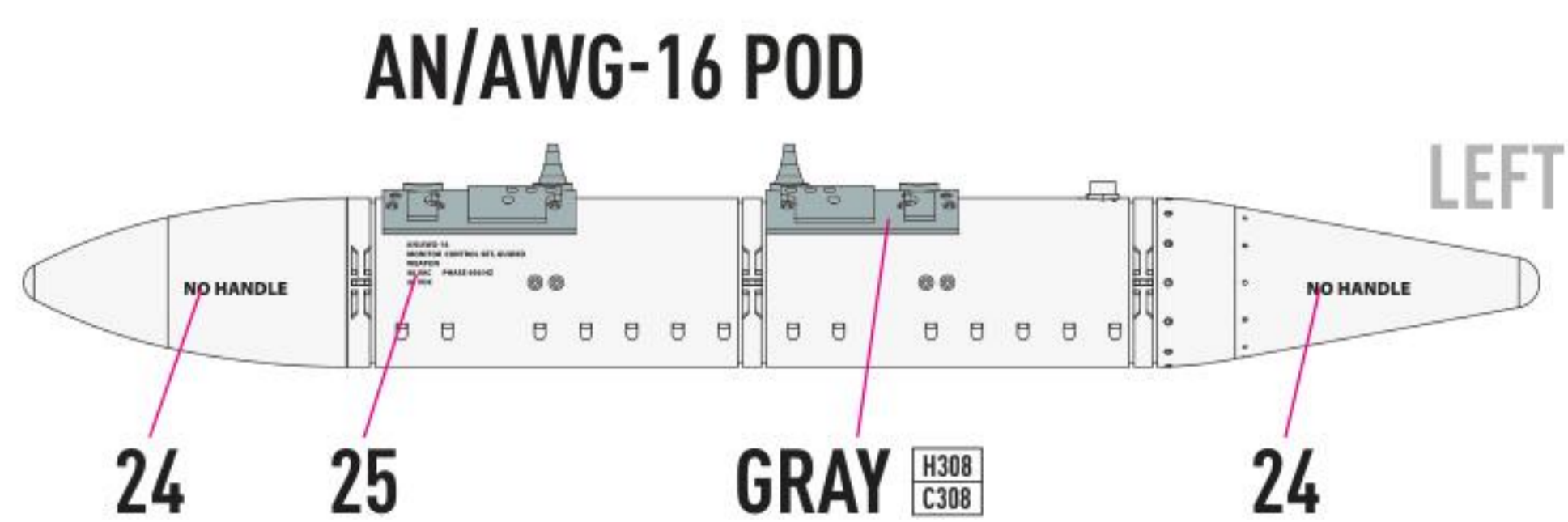


DECAL INSTRUCTION V2

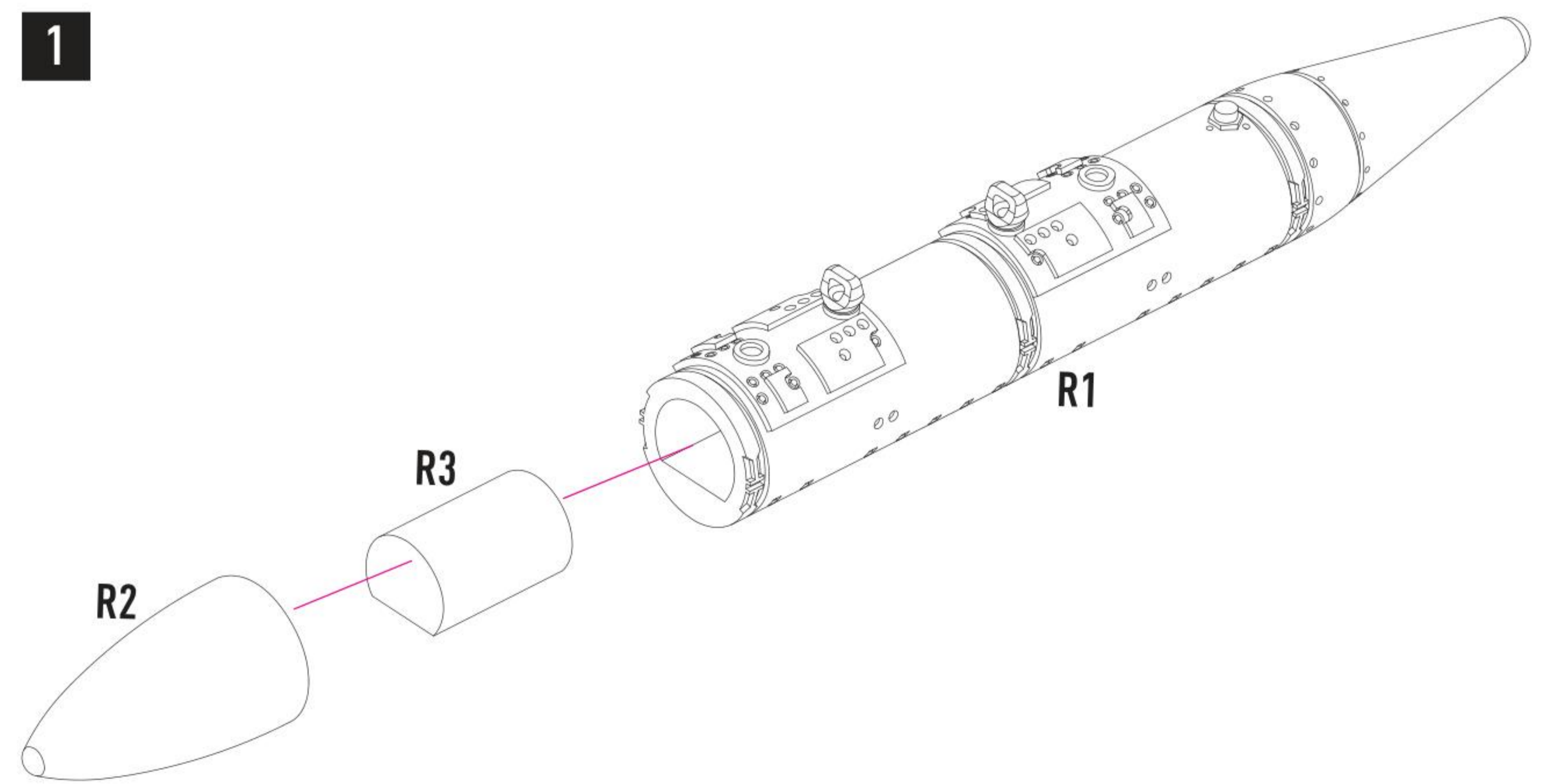
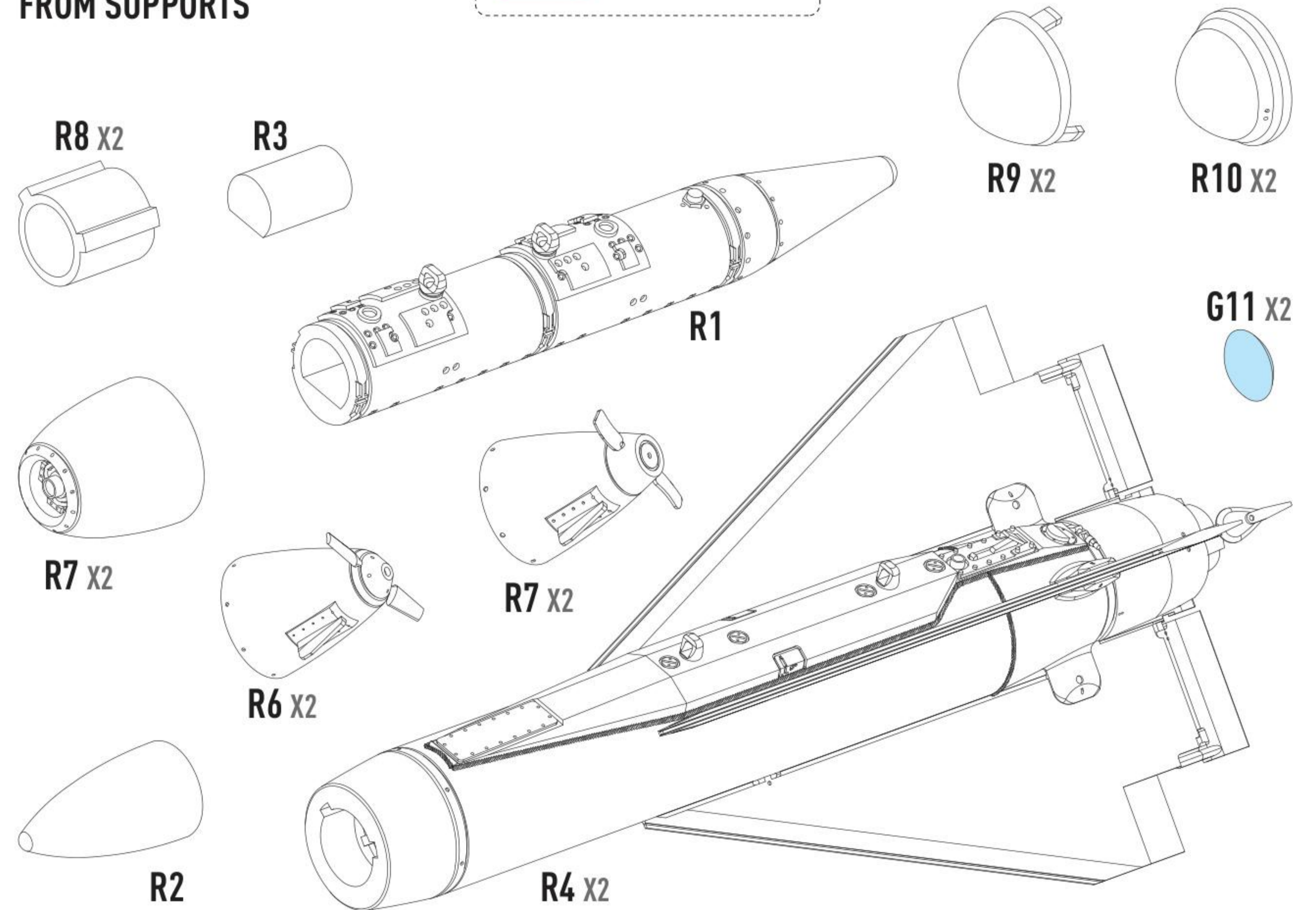


COLORS	GUNZE / AQUEOUS	GUNZE / MR.COLOR
GRAY	H308	C308
WHITE	H1	C1
RED	H3	C3
SEMI GLOSS BLACK		C92

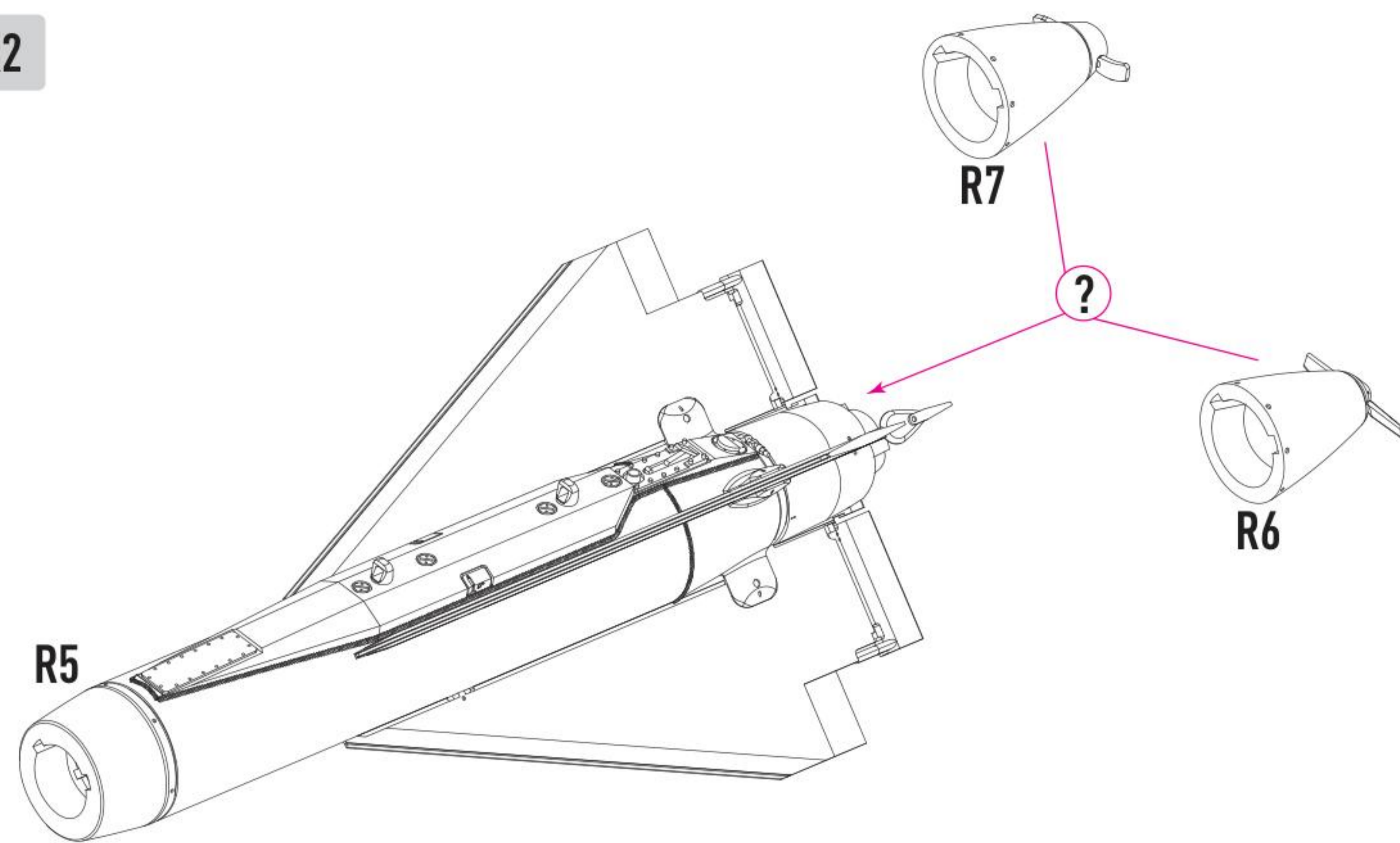


DETAILS AFTER REMOVAL FROM SUPPORTS

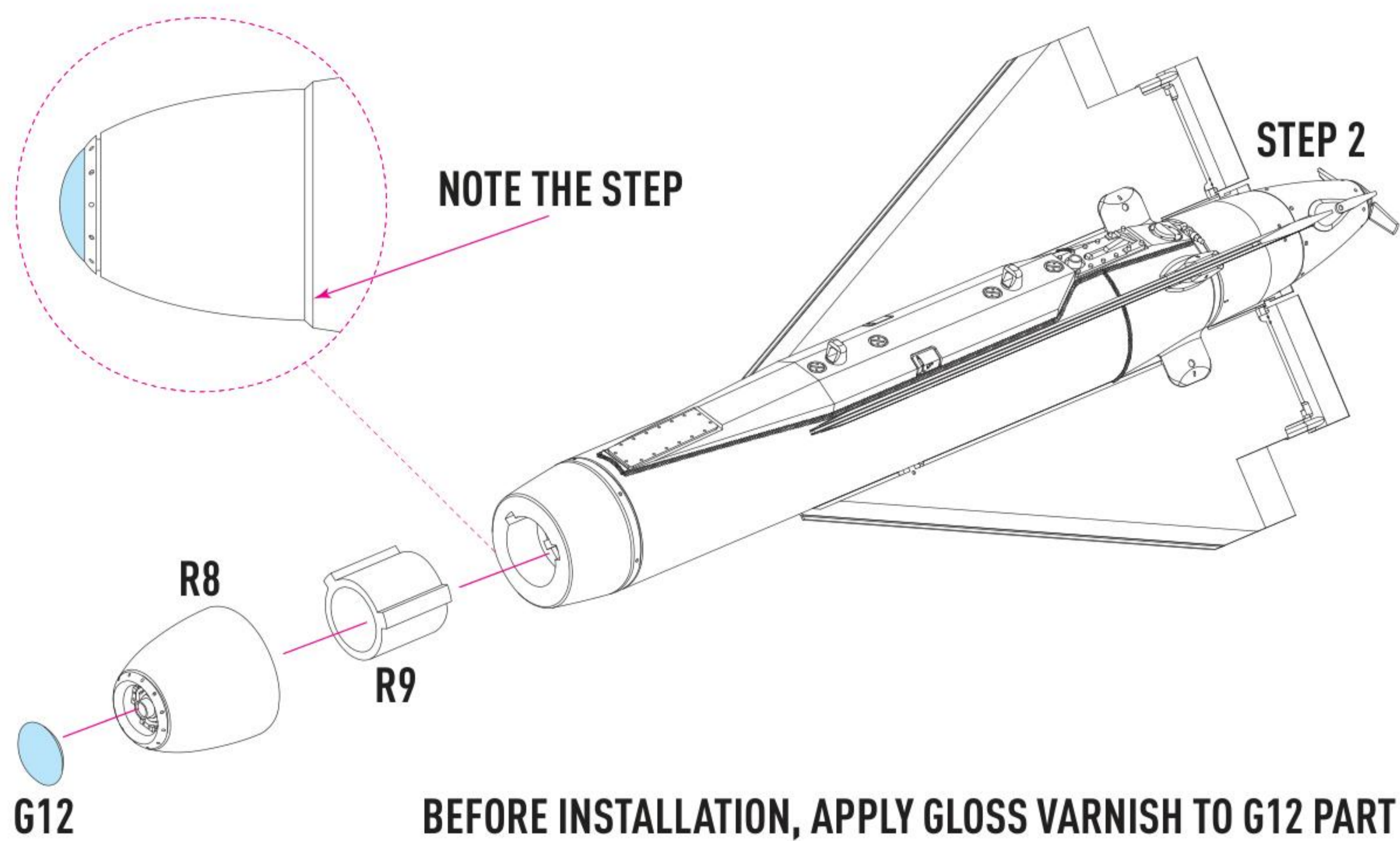
USE A SAW TO REMOVE SUPPORTS FROM 3D PRINTED PARTS



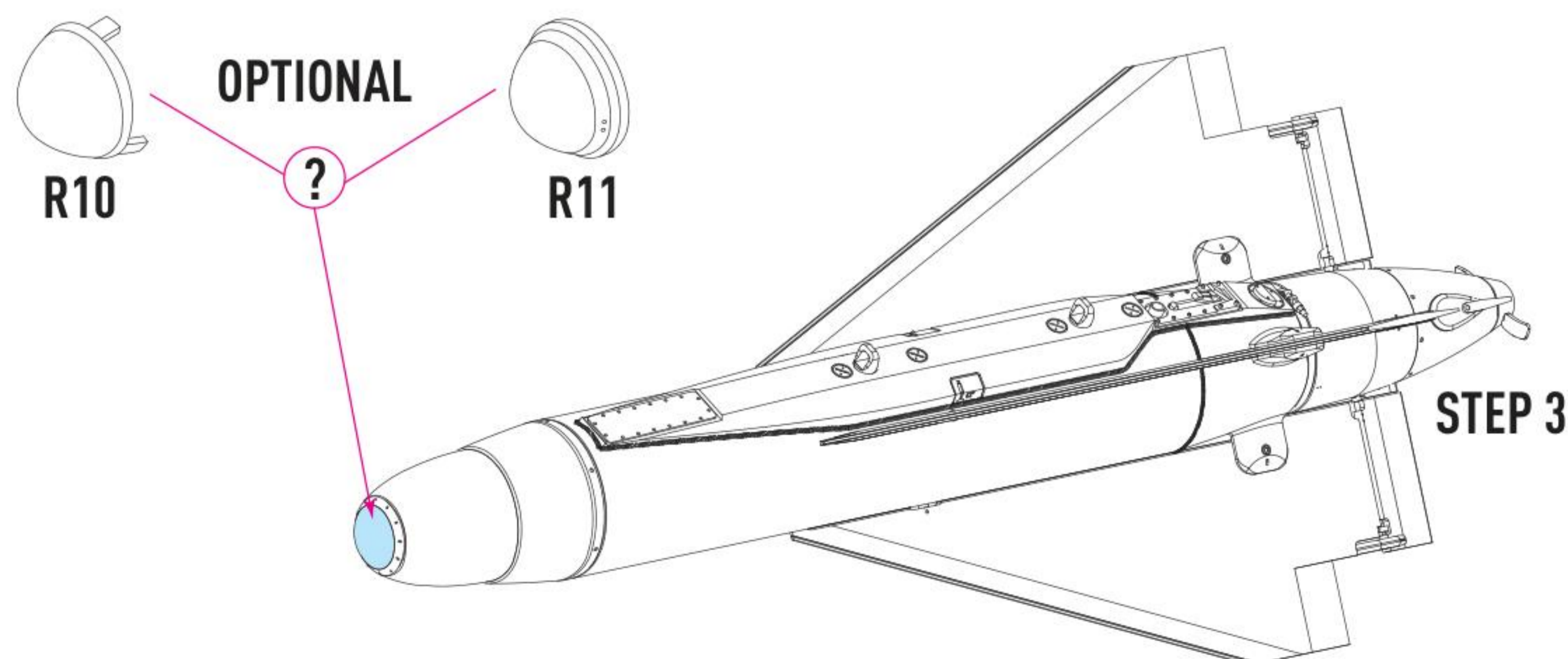
2 X2



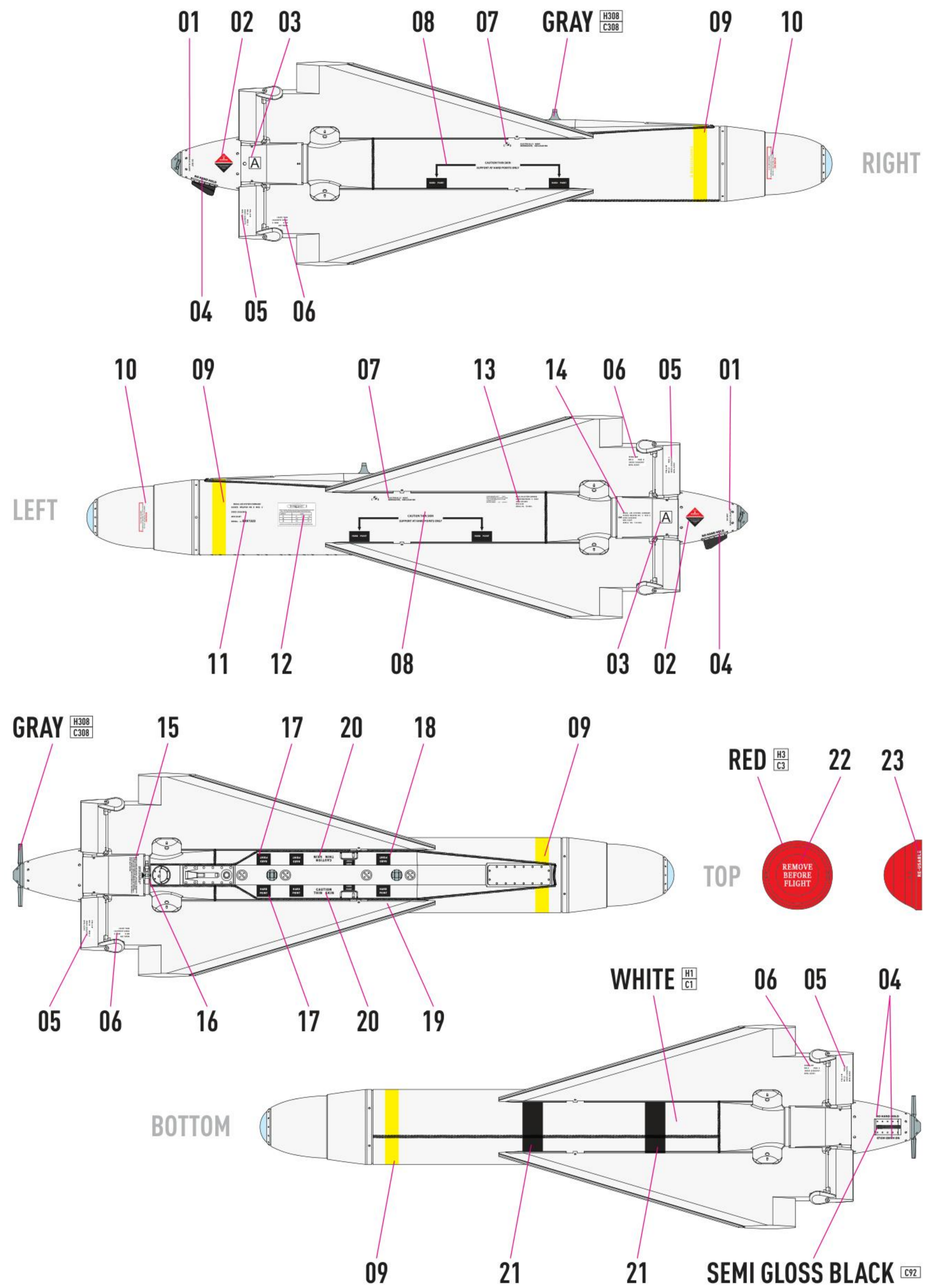
3 X2



4 X2



DECAL INSTRUCTION V1



COLORS	GUNZE / AQUEOUS	GUNZE / MR.COLOR
GRAY	H308	C308
WHITE	H1	C1
RED	H3	C3
SEMI GLOSS BLACK		C92

