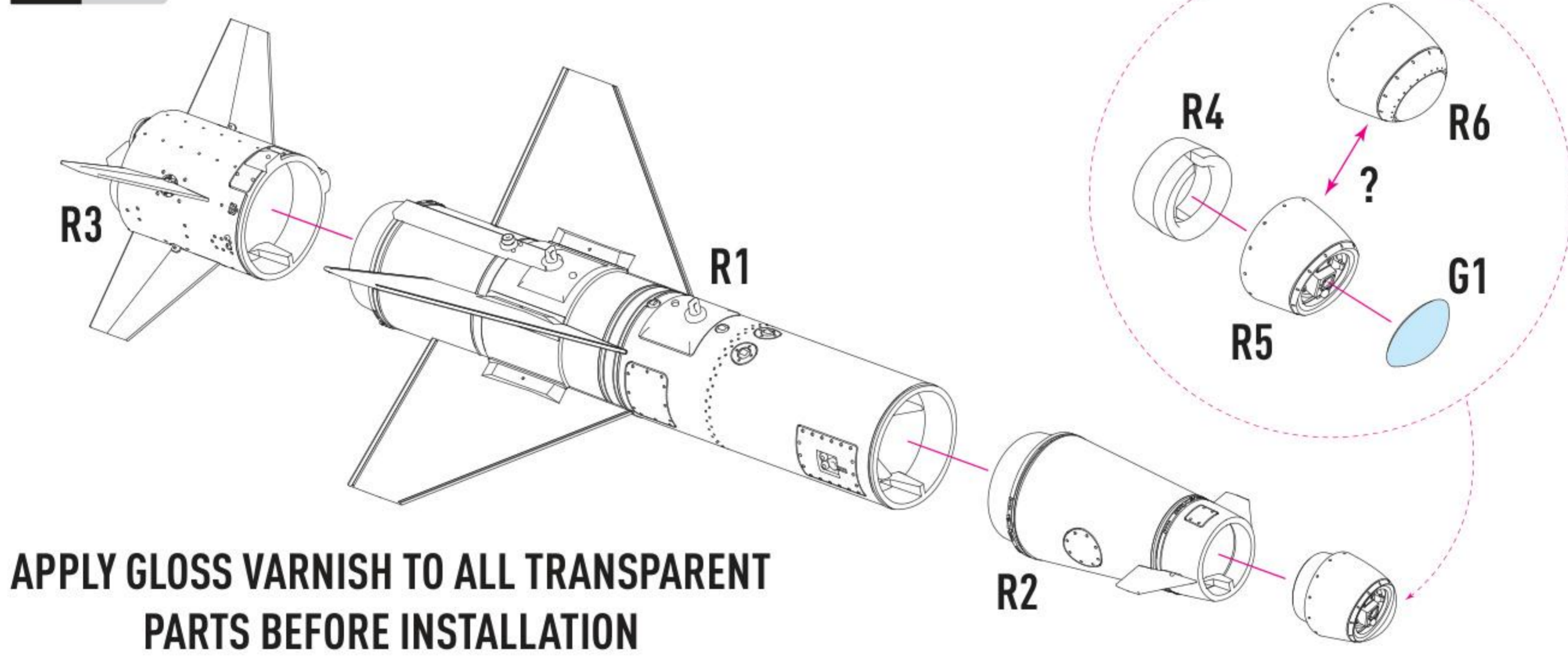
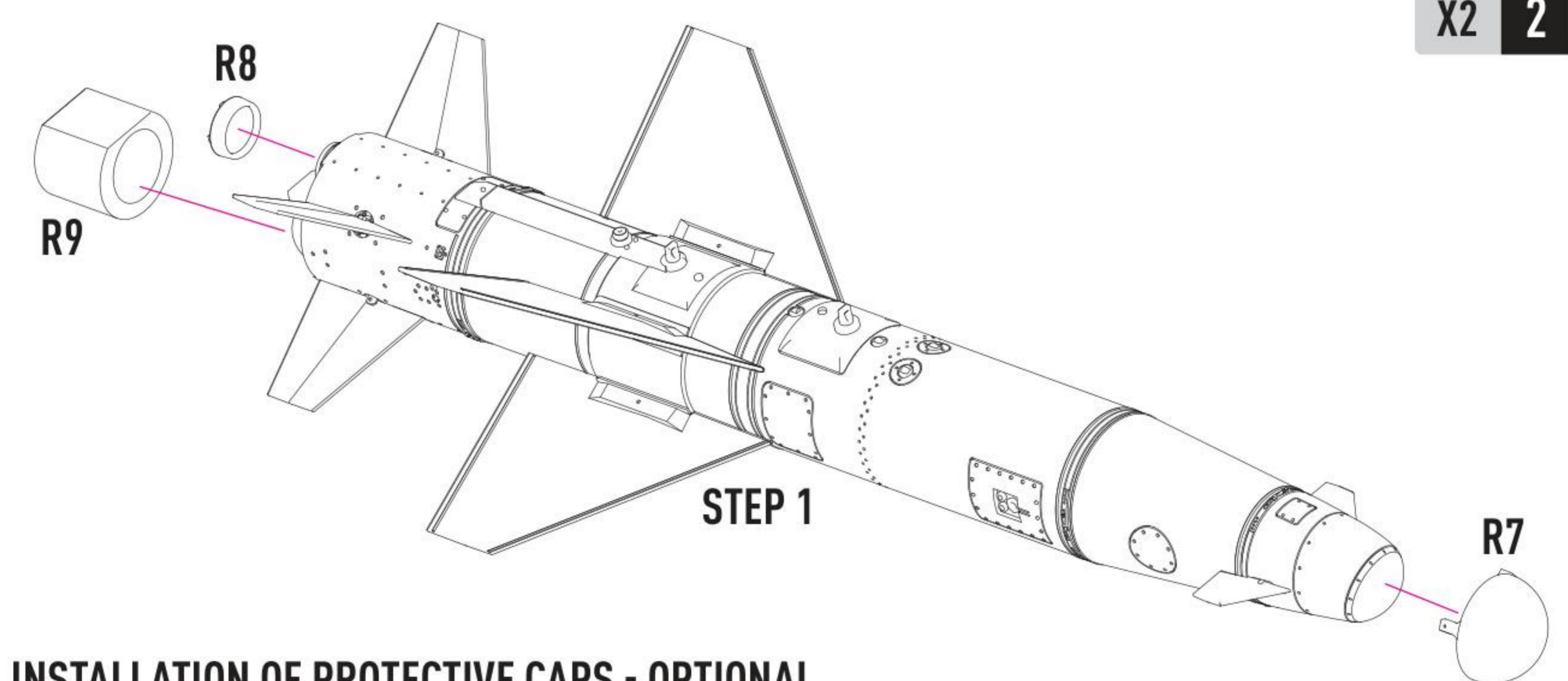


**1** X2



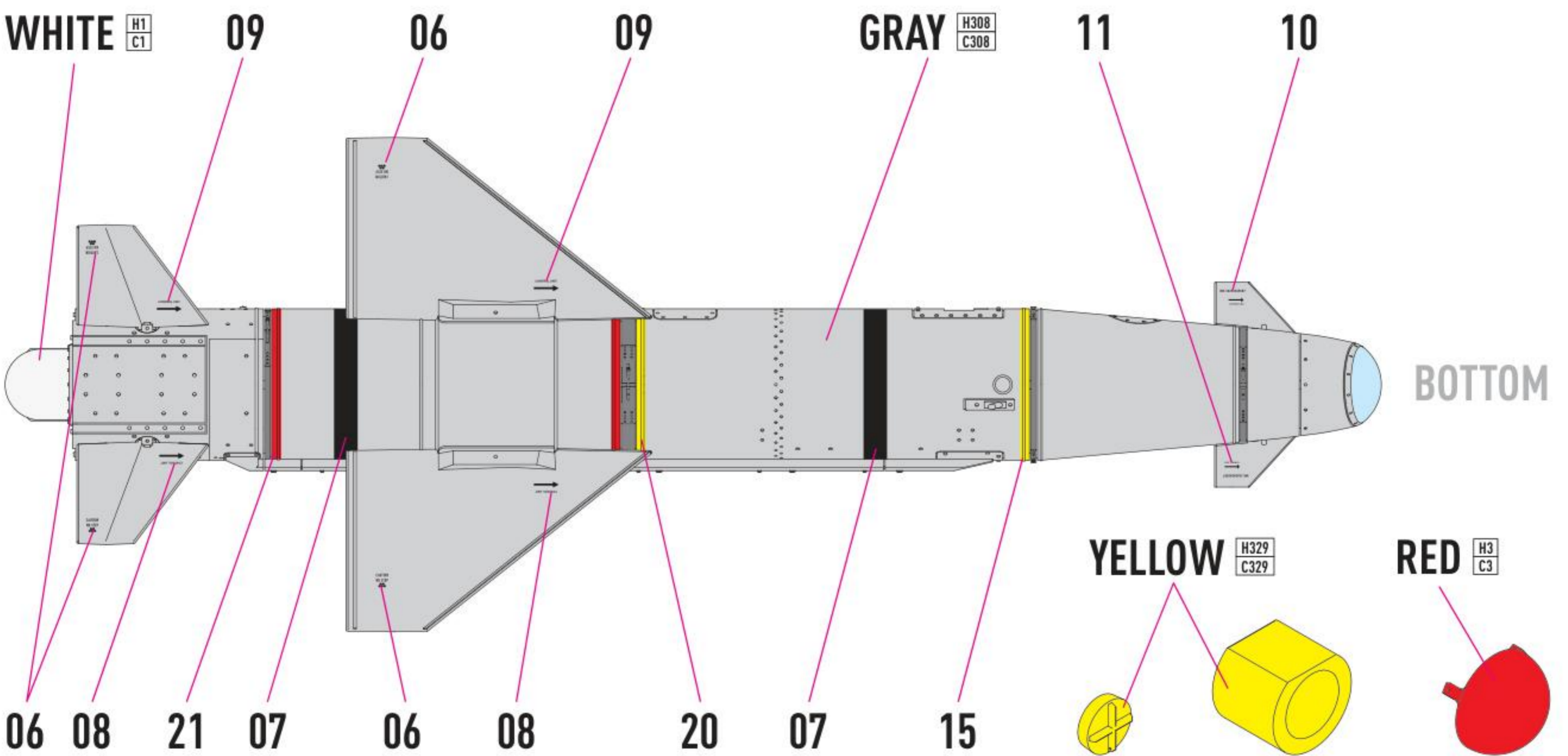
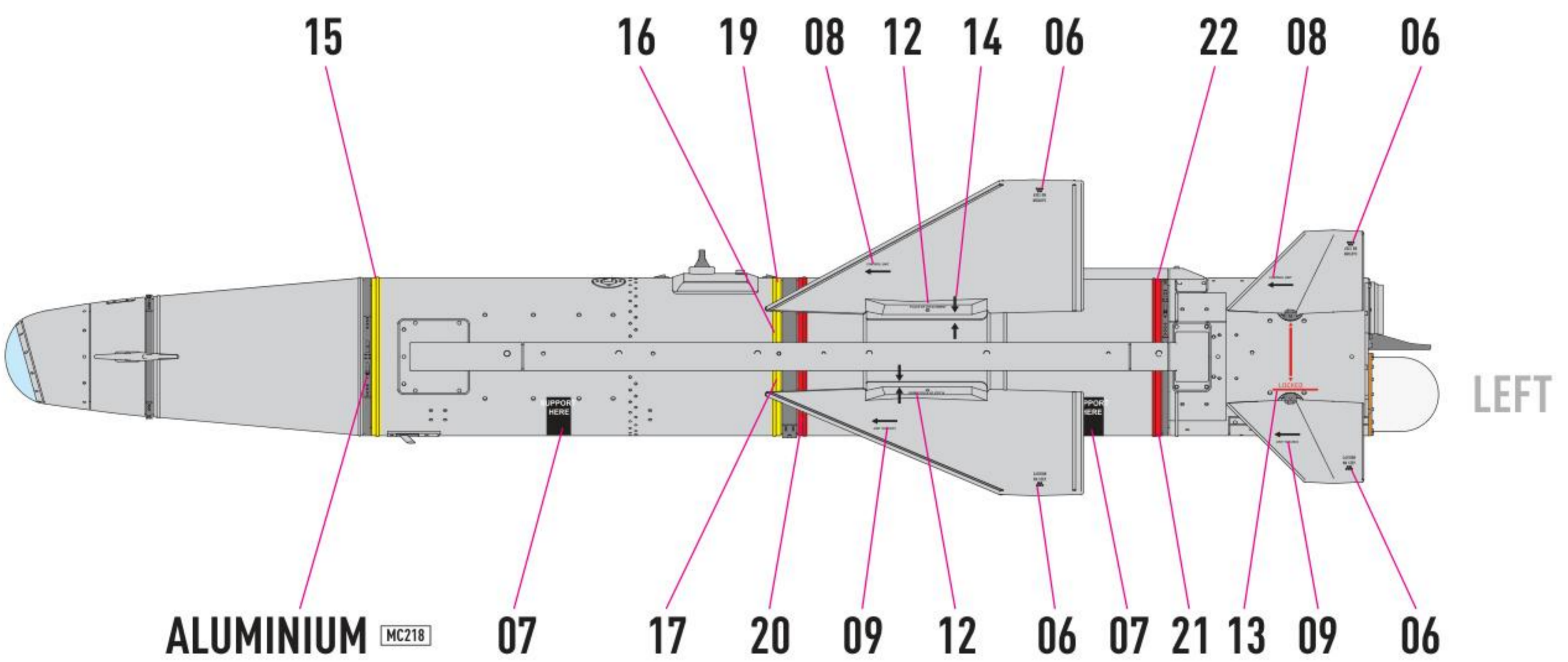
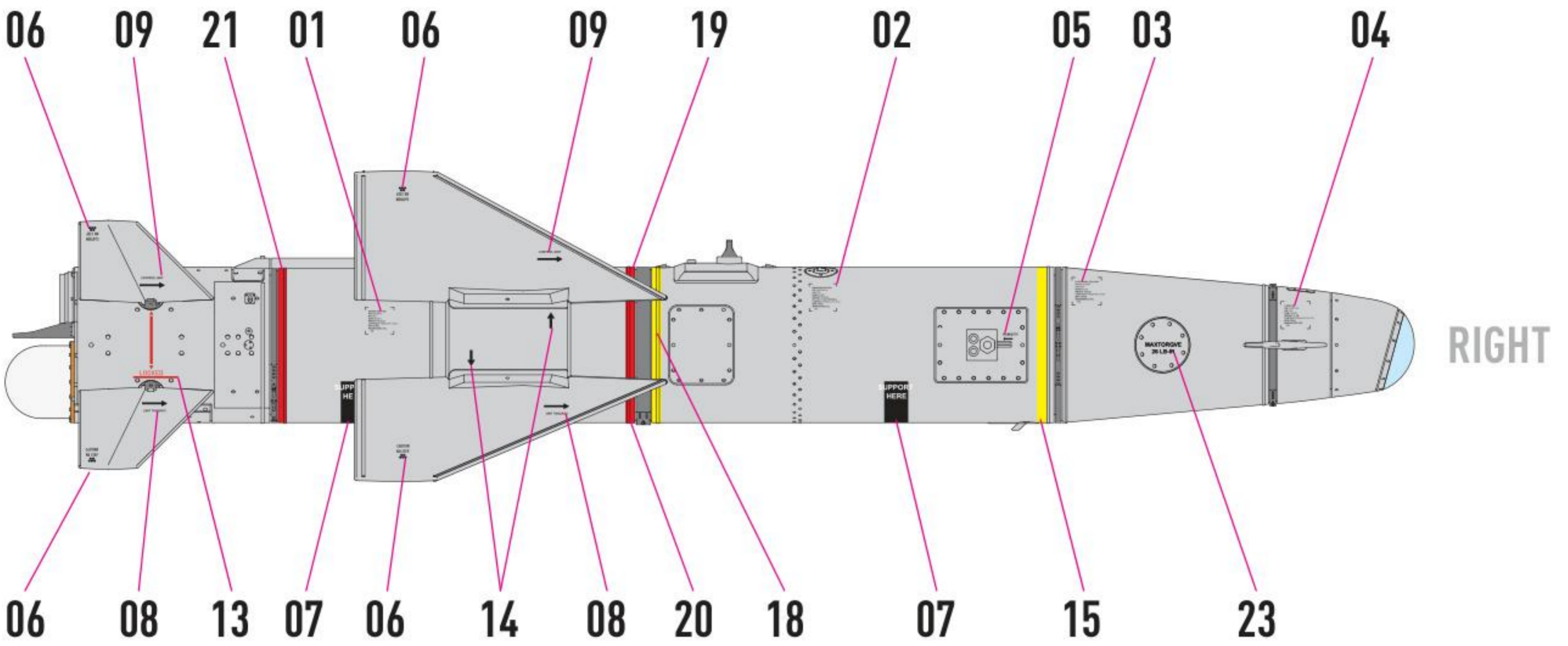
**APPLY GLOSS VARNISH TO ALL TRANSPARENT PARTS BEFORE INSTALLATION**

X2 **2**



**INSTALLATION OF PROTECTIVE CAPS - OPTIONAL**

# DECAL INSTRUCTION



| COLORS | GUNZE / AQUEOUS | GUNZE / MR.COLOR |
|--------|-----------------|------------------|
| RED    | H3              | C3               |

| COLORS | GUNZE / AQUEOUS | GUNZE / MR.COLOR |
|--------|-----------------|------------------|
| YELLOW | H329            | C329             |
| GRAY   | H308            | C308             |

| COLORS    | GUNZE / AQUEOUS | GUNZE / MR.COLOR |
|-----------|-----------------|------------------|
| WHITE     | H1              | C1               |
| ALUMINIUM | MC218           |                  |

general Issues: [info@reskit.com.ua](mailto:info@reskit.com.ua) / claim resolution: [claims@reskit.com.ua](mailto:claims@reskit.com.ua)

**RESKIT-MODELS.COM**

[fb.com/reskit.official](https://fb.com/reskit.official)

[instagram.com/reskit\\_official](https://instagram.com/reskit_official)

[pinterest.com/reskit\\_official](https://pinterest.com/reskit_official)