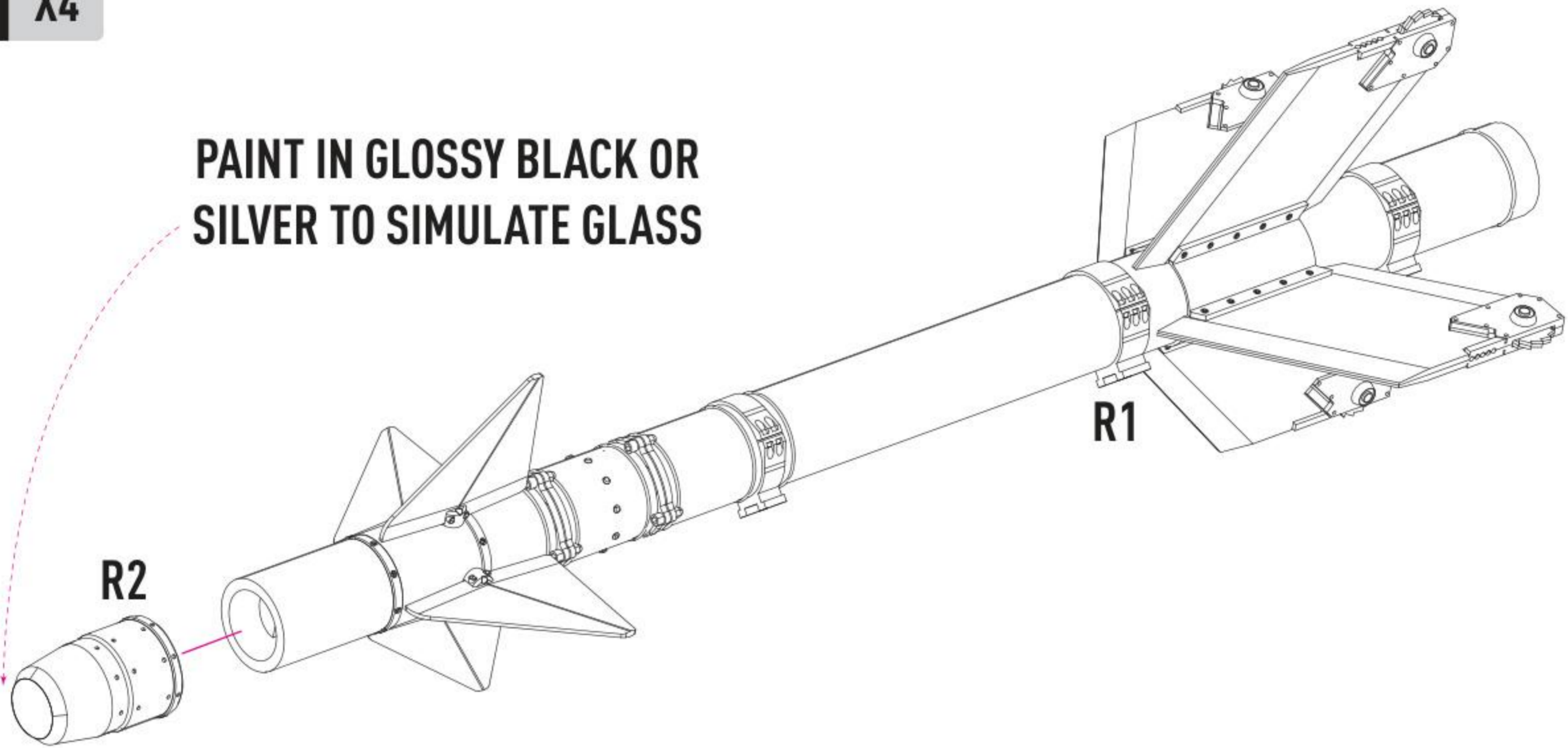


 USE A SAW TO REMOVE SUPPORTS FROM 3D PRINTED PARTS

**DETAILS AFTER REMOVAL FROM SUPPORTS**

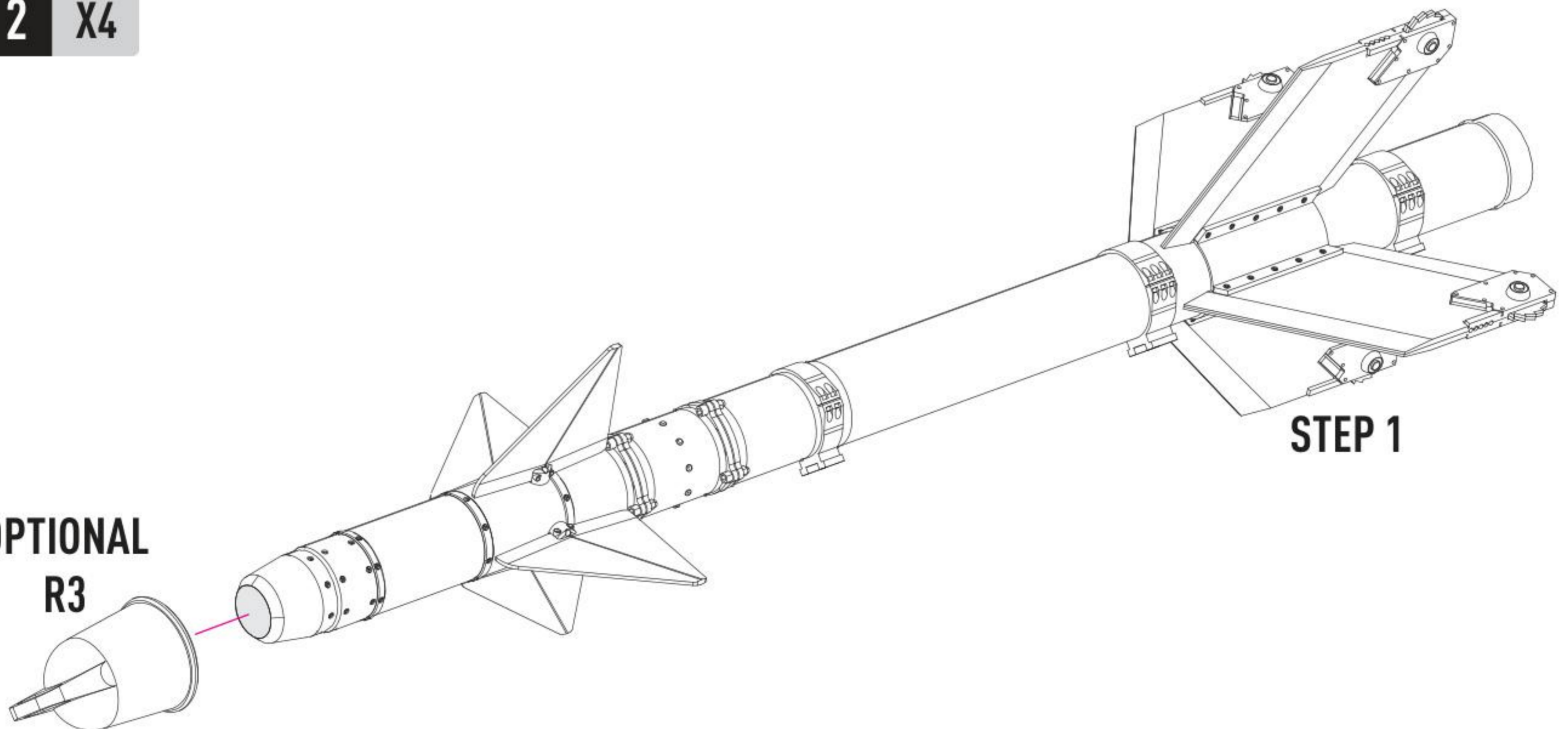
**1** X4

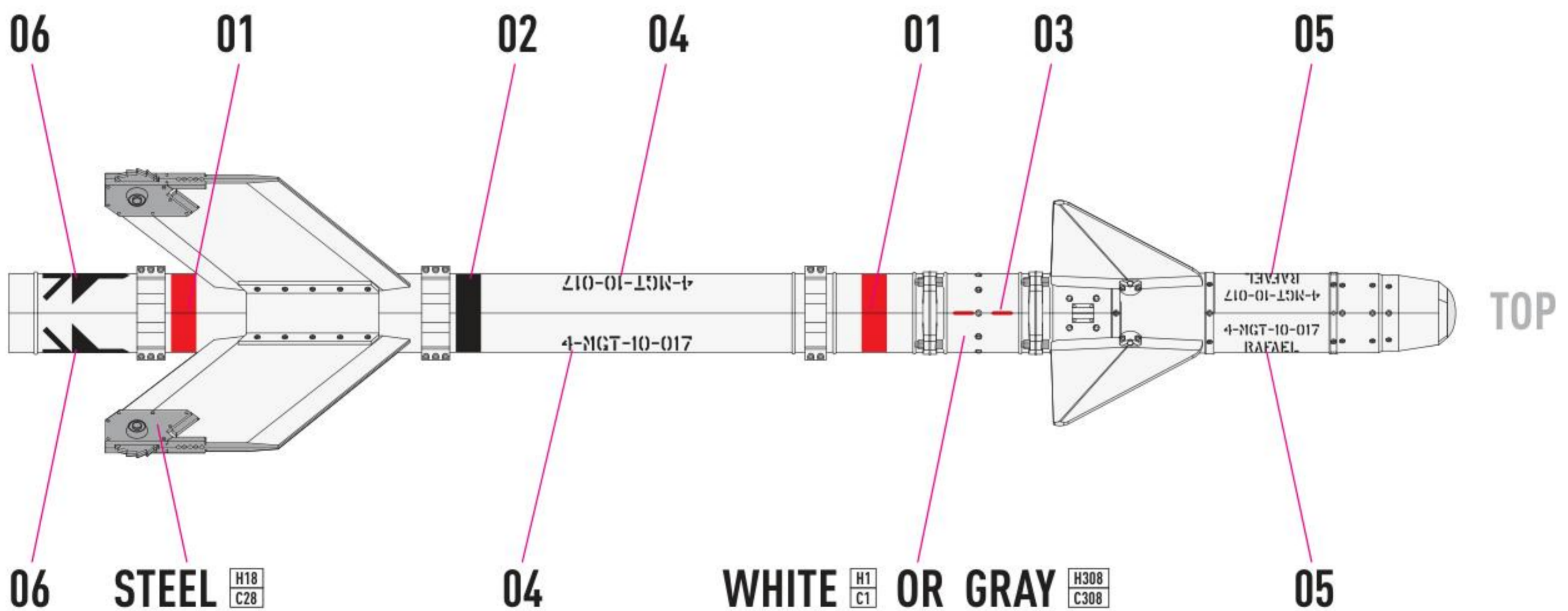
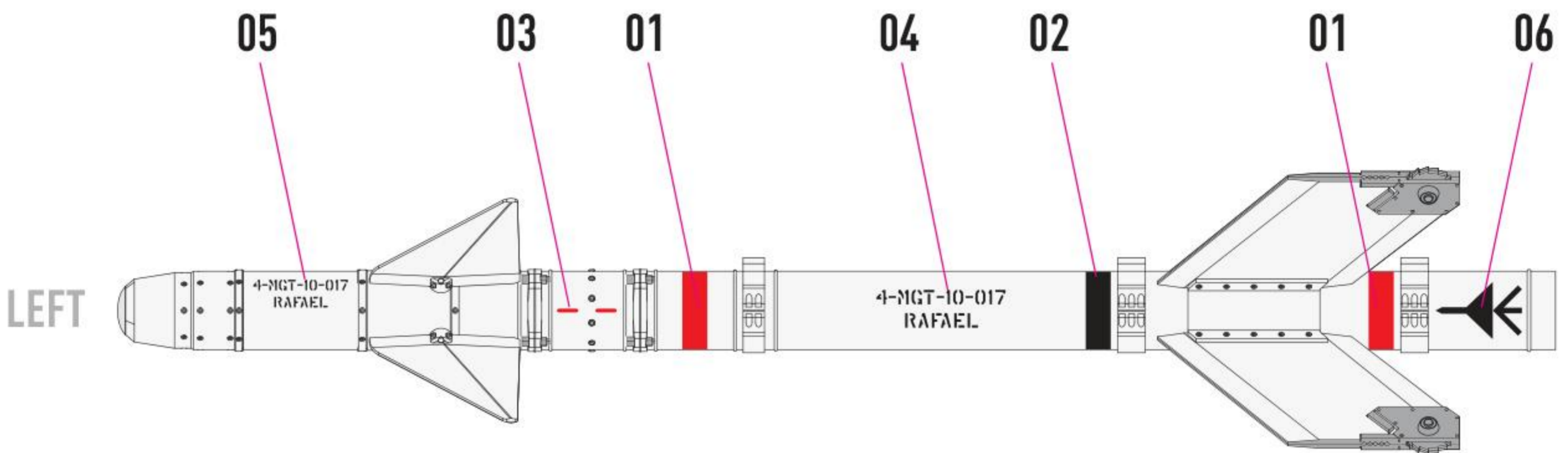
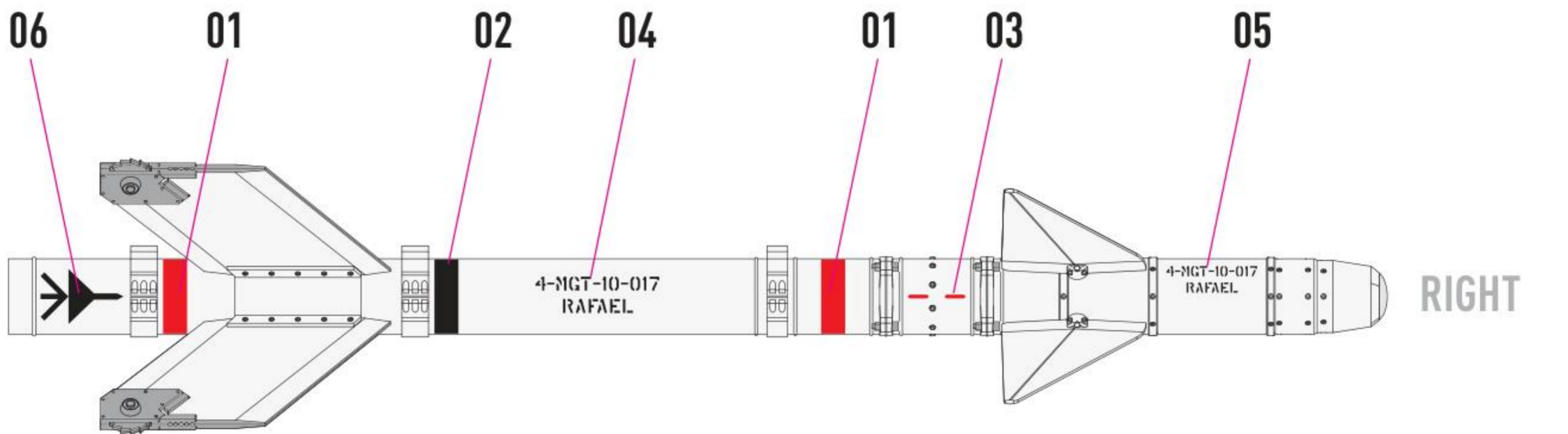
**PAINT IN GLOSSY BLACK OR SILVER TO SIMULATE GLASS**



**2** X4

**OPTIONAL R3**





06 STEEL H18  
C28

04 WHITE H1  
C1 OR GRAY H308  
C308

05

COLORS	GUNZE / AQUEOUS	GUNZE / MR.COLOR
GRAY	H308	C308

COLORS	GUNZE / AQUEOUS	GUNZE / MR.COLOR
WHITE	H1	C1

COLORS	GUNZE / AQUEOUS	GUNZE / MR.COLOR
STEEL	H18	C28