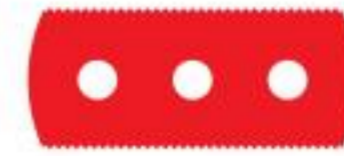
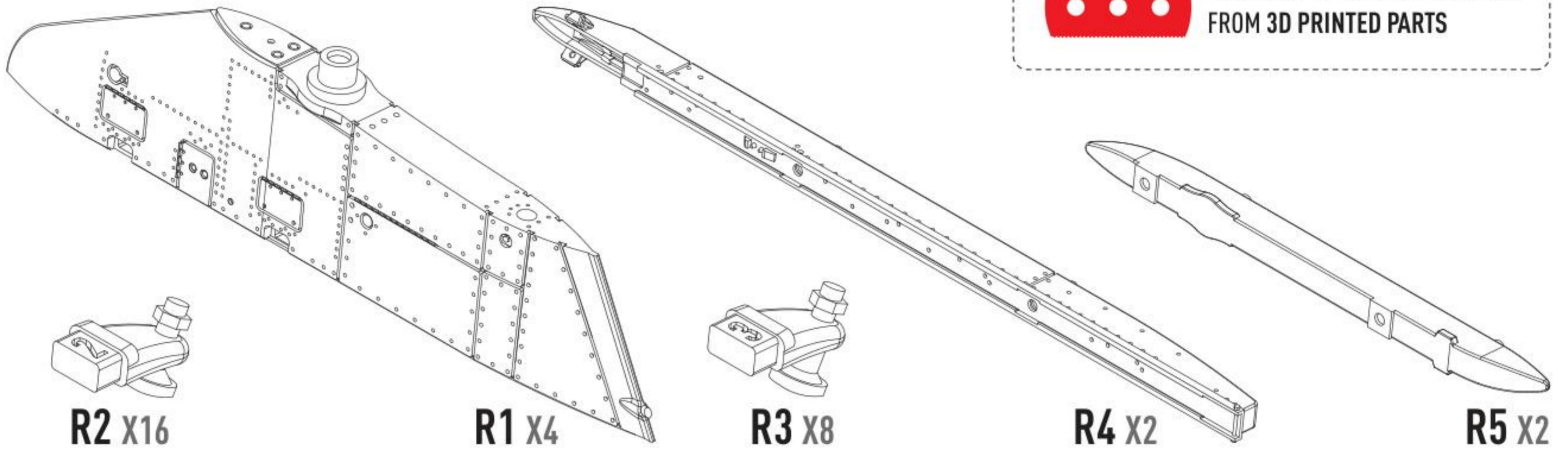


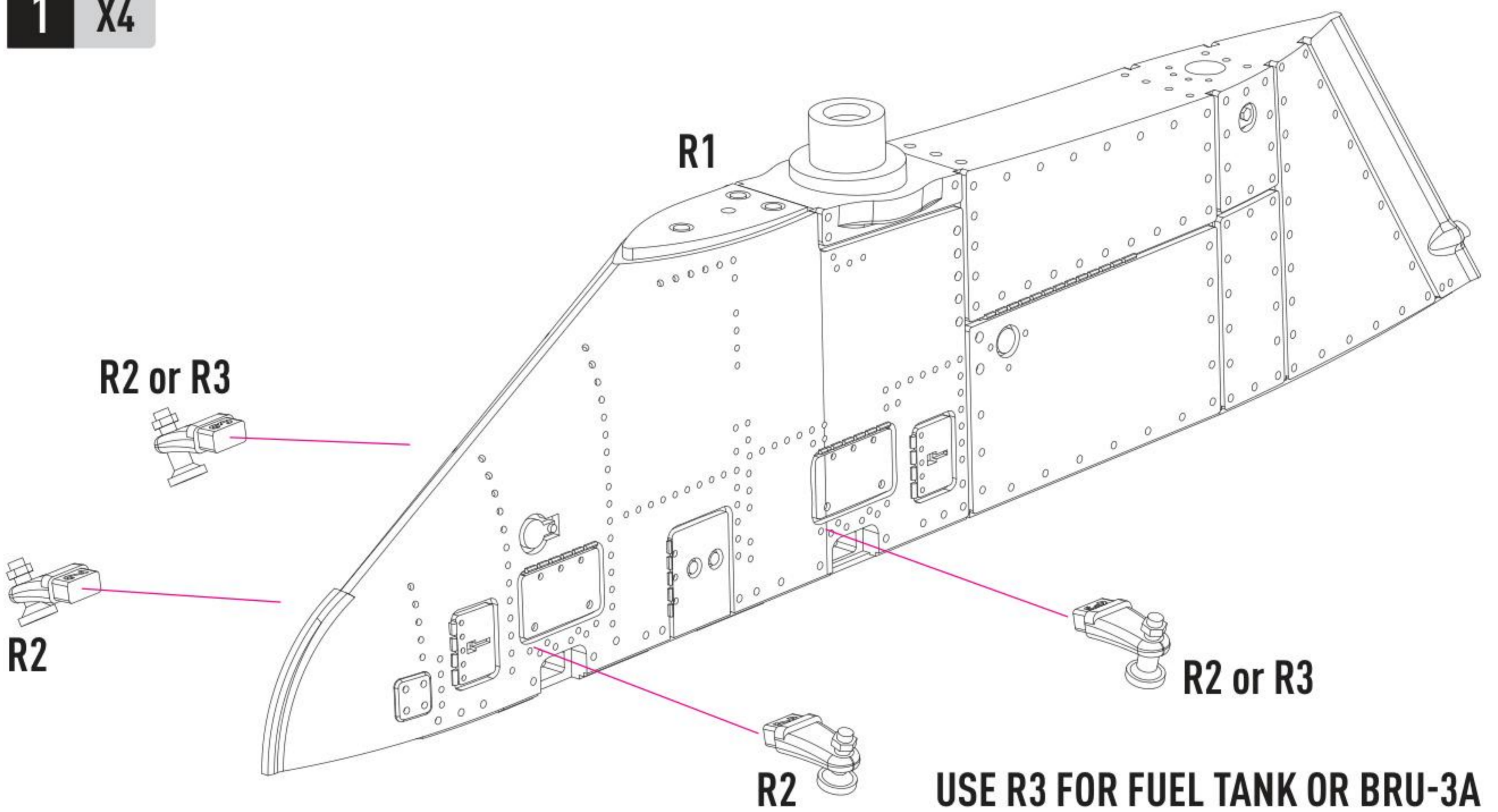
DETAILS AFTER REMOVAL FROM SUPPORTS



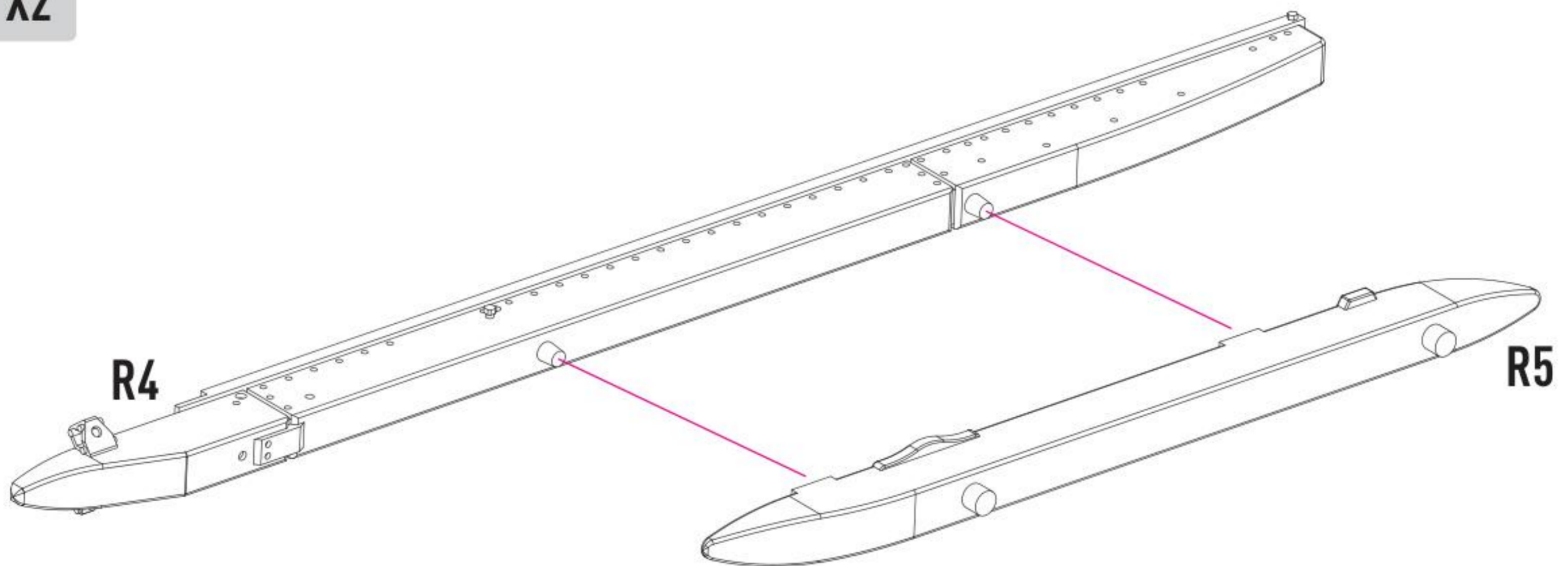
USE A SAW TO REMOVE SUPPORTS
FROM 3D PRINTED PARTS



1 X4



2 X2



3 OPTIONAL

MAKE TWO HOLES Ø 0,5MM ON ONE SIDE FOR MOUNTING LAU-105

