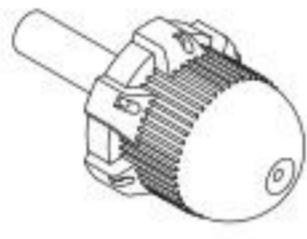
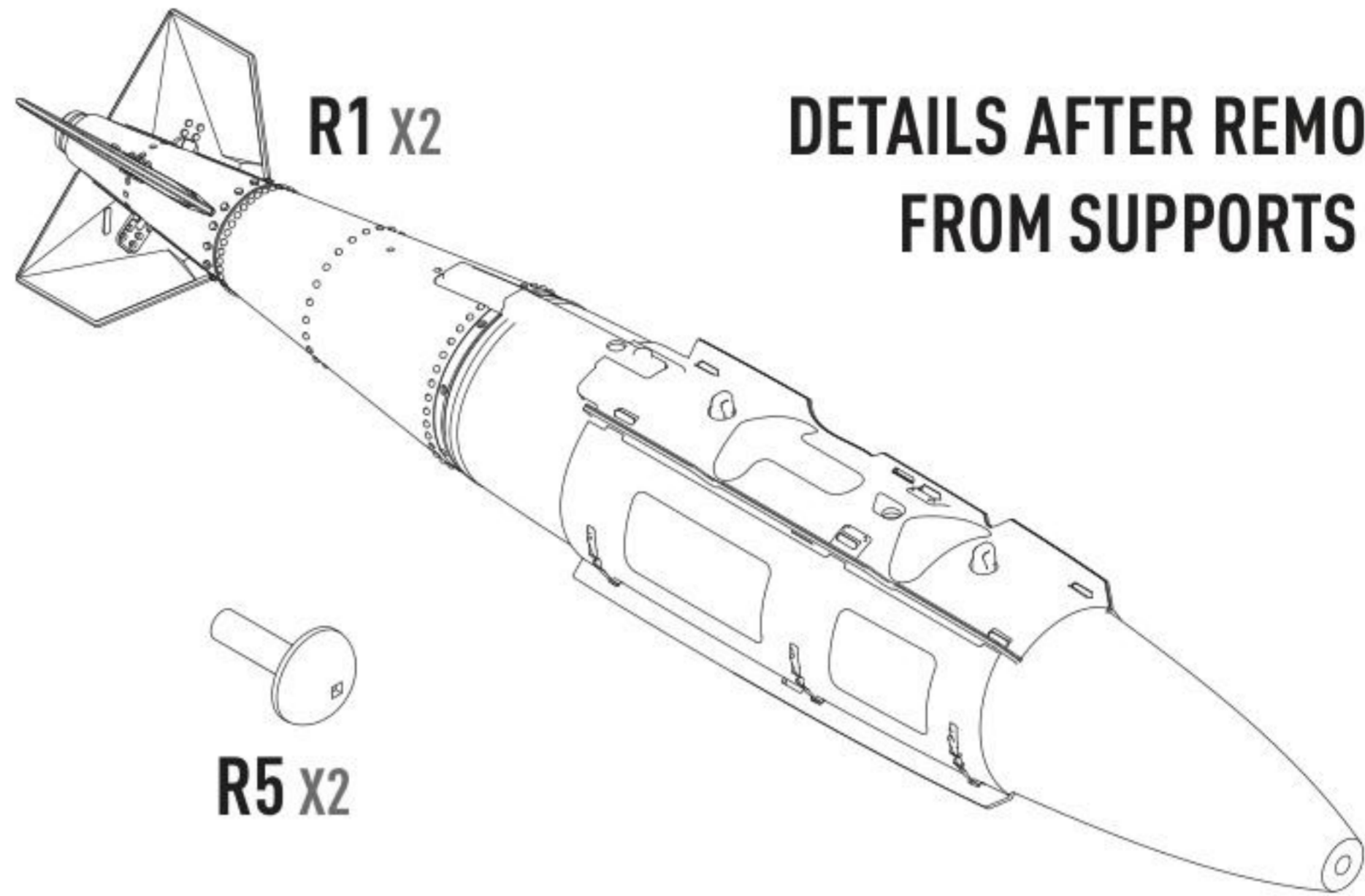


USE A SAW TO REMOVE SUPPORTS  
FROM 3D PRINTED PARTS



R2 X2

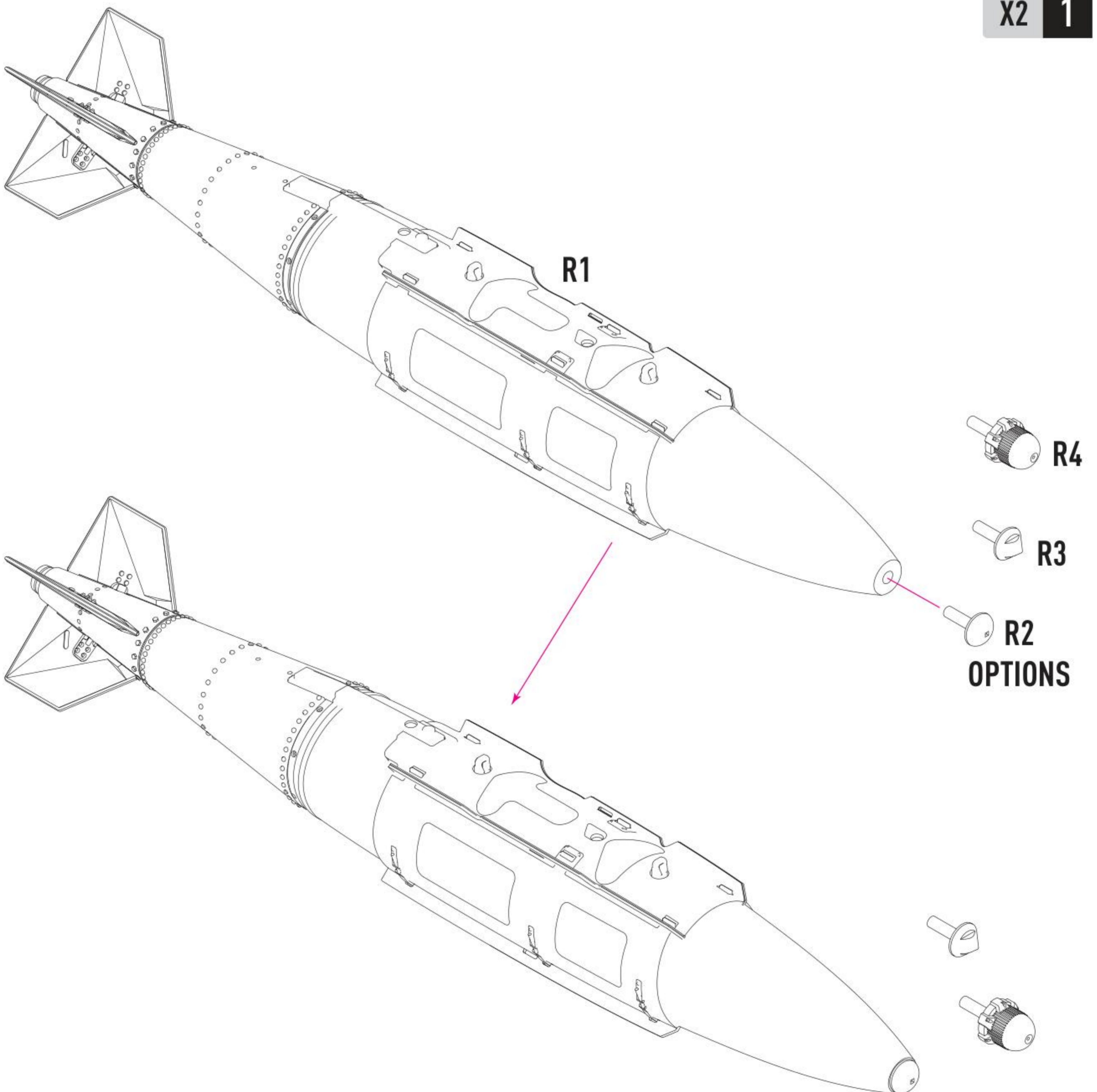


R3 X2



R5 X2

X2 1



R4



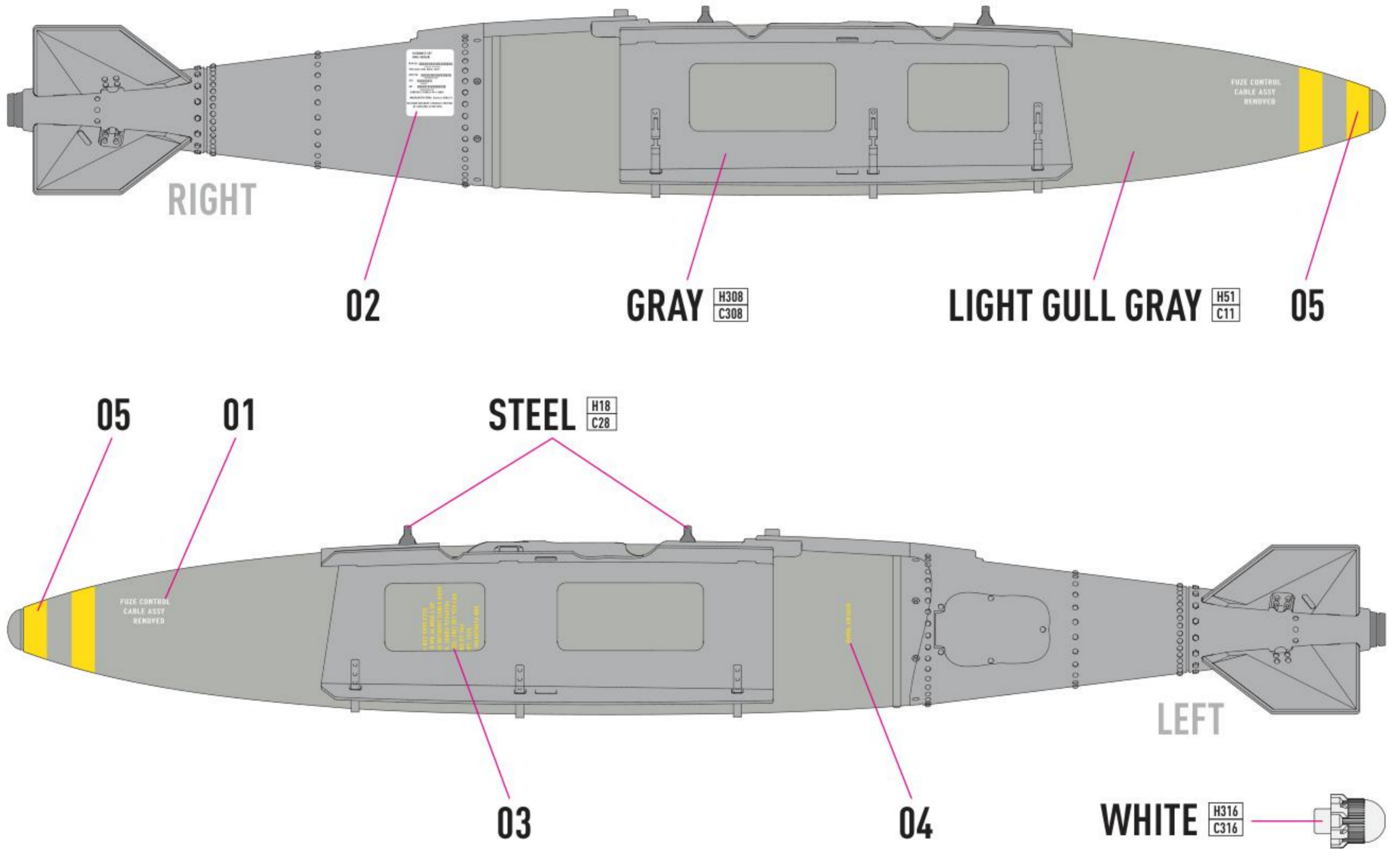
R3



R2  
OPTIONS

COLORS	GUNZE / AQUEOUS	GUNZE / MR.COLOR
LIGHT GULL GRAY	H304	C304
STEEL	H18	C28

COLORS	GUNZE / AQUEOUS	GUNZE / MR.COLOR
GRAY	H308	C308
WHITE	H316	C316



### APPLYING MASKS

